



ENGINEERING DATA

G60DFV

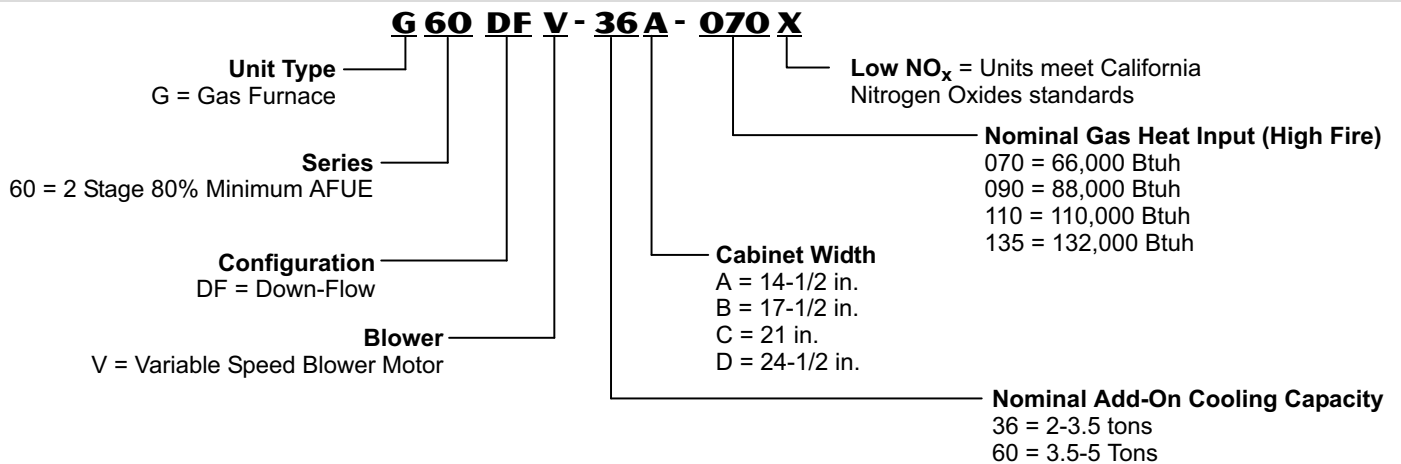
DAVE LENNOX SIGNATURE® COLLECTION
Down-Flow - Two-Stage Heat - Variable Speed Blower

Bulletin No. 210356
 December 2008
 Supersedes February 2007



AFUE - 80%
Input - 66,000 to 132,000 Btuh
Nominal Add-on Cooling - 2 to 5 Tons

MODEL NUMBER IDENTIFICATION



FEATURES

CONTENTS

Blower Data	Pages 8-12
Dimensions	Pages 6-7
Features and Options	Pages 2-4
Installation Clearances	Page 5
Model Number Identification	Page 1
Optional Accessories Selection Table	Page 5
Specifications	Page 4

WARRANTY

Duralok® Aluminized Steel Heat Exchangers - Limited **twenty year** warranty in residential applications, ten years in non-residential applications.

All other covered components - Limited **ten year** warranty in residential applications and one year in non-residential applications.

Refer to Lennox Equipment Limited Warranty certificate included with equipment for details.

APPROVALS

Units certified by CSA International and ratings are certified by GAMA.

Units tested and rated according to US DOE test procedures and FTC labeling regulations.

Approved by California Energy Commission and meet California Seasonal Efficiency requirements and California Nitrogen Oxides (NO_x) Standards.

“X” models meet California Nitrogen Oxides (NO_x) Standards.

Blower data from unit tests conducted in Lennox Laboratory air test chamber.

ISO 9001 Registered Manufacturing Quality System.

APPLICATIONS

Input capacities (high fire) of 66,000, 88,000, 110,000 and 132,000 Btuh.

Energy efficiency (AFUE) of 80.0%.

Utility room, alcove, closet or attic installation.

Variable speed blower is ideal for zoning applications.

Lennox add-on indoor coils, high-efficiency air cleaners and humidifiers can easily be added to furnace.

Shipped factory assembled with all controls installed and wired.

Each unit factory test operated to insure proper operation.

Zoning Applications

Units may be used with certain zoning systems. Zone control panel must be able to interface and communicate with the variable speed blower motor in the unit. Lennox Harmony III™ Zone Control Panel has this capability.

HEATING SYSTEM

1 SilentComfort™ Technology

Patent pending burner sound enclosure and extra cabinet insulation reduces operating sound levels.

2 Lennox DuraLok™ Aluminized Steel Heat Exchanger

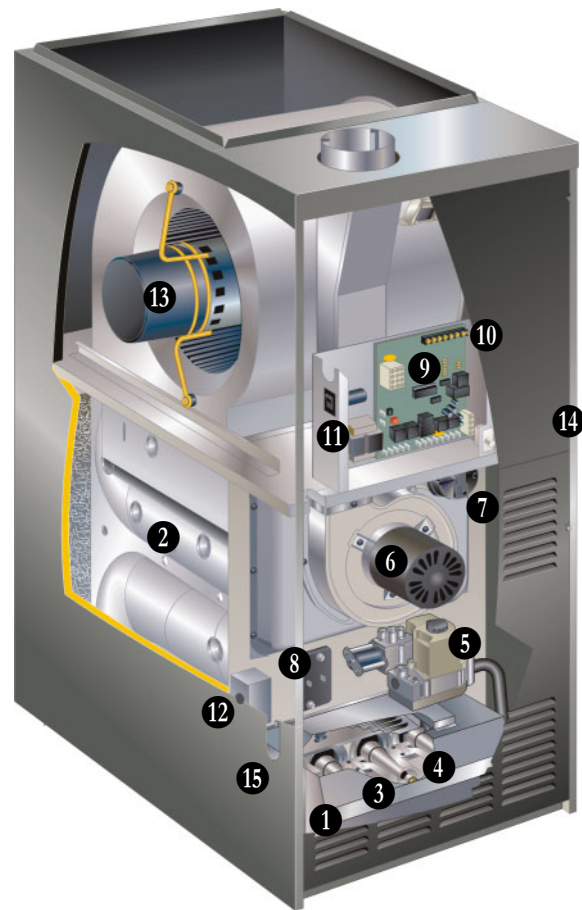
Heavy gauge aluminized steel heat exchanger.

Crimped seam clamshell type design.

Designed for normal expansion and contraction.

Minimum resistance to air flow.

Heat exchanger has been laboratory life cycle tested.



3 SureLight® Hot Surface Ignitor

Tough, reliable, long-life, trouble-free performance. Tungsten heater element sandwiched between two plates of silicon nitride.

Cemented to steatite block for protection against current leakage.

Ignition leads constructed of nickel plated copper enclosed in high temperature Teflon insulation for dependable operation.

No electrical noise.

4 Inshot Burners

Aluminized steel inshot burners provide efficient, trouble-free operation.

Burner venturi mixes air and gas in correct proportion for proper combustion.

Burner box assembly is removeable from the unit as a single component for ease of service.

Patent pending sound enclosure reduces operating sound levels.

5 Two Stage Gas Control Valve

24 volt redundant combination two stage gas control valve combines manual shut off valve (On-Off), automatic electric valve (dual) and gas pressure regulation into a compact combination control.

6 Two Speed Combustion Air Inducer

Shaded pole heavy duty two speed blower prepurges heat exchanger and safely vents flue products.

7 Dual pressure switches (low fire/high fire) prove blower operation before allowing gas valve to open.

Operates only during heating cycle.

FEATURES

8 Limit Controls

Automatic reset, primary and secondary limits are accurately located.

Primary limit factory installed on vestibule panel on all units, secondary limit factory installed on blower housing.

Flame Rollout Switches (2)

Manual reset.

Factory installed on burner box.

Switches provide protection from abnormal operating conditions.

OPTIONS

High Altitude Orifice Kit - natural gas models only

Required on all natural gas units for proper unit operation at altitudes from 7,501 to 10,000 ft.

Proper orifice for LPG/Propane models is included with optional LPG/Propane Conversion Kit.

High Altitude Pressure Switch Kit

Required on most units for proper unit operation at altitudes above 4,500 ft.

LPG/Propane Conversion Kit

Required for field changeover from natural gas.

Natural Gas Conversion Kit

Required for field changeover from LPG/Propane to natural gas.

CONTROLS

9 SureLight® Integrated Two Stage / Variable Speed Blower Control

Solid-state board contains all necessary controls and relays to operate furnace.

Combustion air inducer is controlled by board. Prior to ignition, a low speed pre-purge cycle for 15 seconds is initiated. After the main burners are turned off, a post-purge cycle for 5 seconds is run.

Adaptive technology of ignition control board continuously monitors and adjusts the ignitor power to operate at minimum ignitor temperature required for ignition, prolonging ignitor life.

Electronic flame sensor assures safe and reliable operation.

Should flame fail to ignite, flame sensor will initiate 4 re-attempts at ignition before locking out unit operation for 60 minutes.

Watchguard type circuit automatically resets ignition controls after one hour of continuous thermostat demand after unit lockout, eliminating nuisance calls for service.

Jumper settings for single or two stage thermostat operation.

Two selectable second stage recognition times (10 and 15 minutes) are available on the board when the furnace is used with a single stage thermostat. When used with a two stage thermostat, furnace will only initiate second stage operation with a second stage thermostat demand.

Two LED's indicate heating status and aid in troubleshooting.

10 Two accessory terminals furnished for additional power supply requirements for 120 volt (less than 1 amp) power humidifiers and powered air cleaners.

Two blower speeds - second stage heat and second stage cool (with four air volume selections for each) are selected by DIP switches on board. Heat speed can be adjusted to optimize discharge temperature. Cool speed can be adjusted to correct optional cooling capacity. See Blower Performance tables.

First stage blower speed is a percentage of second stage speed.

The ADJUST switch (DIP) allows normal (NORM), 10% higher (+ plus) or 10% lower (— minus) motor speed selection within HEAT and COOL speeds selected for fine tuning air volume.

DELAY switch (DIP) allows one of four de-humidification profiles during cooling mode.

Profile A - Motor runs at 50% for 30 seconds, then at 82% for 7-1/2 minutes, then at 100% (if needed) until demand is satisfied. Once demand is met, motor runs at 50% for 30 seconds, then ramps down to stop.

Profile B - Motor runs at 82% for 7-1/2 minutes and then at 100% (if needed) until demand is satisfied. Once demand is met, motor ramps down to stop.

Profile C - Motor runs at 100% until demand is satisfied. Once demand is met, motor runs at 100% for 60 seconds, then ramps down to stop.

Profile D - Motor runs at 100% until demand is satisfied. Once demand is met, motor ramps down to stop.

In heat mode, blower on time is fixed at 45 seconds, blower off time is adjustable from 60, 90, 120 and 180 seconds (factory setting - 90 seconds).

Control has four status lights (CFM, ON/OFF, HTG BLOWER, HI/LOW) to assist in servicing.

For air-conditioning applications, blower on time is 2 seconds following thermostat demand for cooling.

Board controls evaporator humidity by controlling blower and compressor speed on two stage outdoor units when used with humidity control or Lennox SignatureStat.

11 24 Volt Transformer

Furnished and factory installed in control box.

40VA transformer has circuit breaker wired in series.

Note - 50VA transformer is required when unit is used with Harmony Zone Control System. Ordered separately. See Price Book.

12 Field Wiring Make-up Box

Furnished for line voltage wiring.

Factory installed internally on left side of furnace.

Box may be installed internally or externally on either side of furnace.

OPTIONS

ComfortSense™ 7000 Touchscreen Thermostat

Electronic 7-day, universal, multi-stage, programmable, touchscreen thermostat.

4 Heat/2 Cool.

Auto-changeover.

Controls humidity during cooling mode.

Offers enhanced capabilities including

humidification / dehumidification / dewpoint measurement and control, Humiditrol® control, and equipment maintenance reminders.

Easy-to-use, menu driven thermostat with a back-lit, LCD touchscreen.

Remote outdoor temperature sensor (optional) allows the thermostat to display outdoor temperature. Required in dual fuel and Humiditrol® applications.

See the ComfortSense™ 7000 Engineering Handbook bulletin in the Controls section for more information.

Thermostat

See Thermostat bulletins in Controls section and Lennox Price Book for a complete list of thermostats.



FEATURES

BLOWER

Variable Speed Direct Drive Blower

Each blower assembly statically and dynamically balanced.

Change in blower speed is easily accomplished by simple DIP switch change on SureLight® Integrated Furnace Two Stage / Variable Speed Blower Control.

See Blower Performance tables.

Blower assembly easily removed for servicing

13 Variable Speed Blower Motor

Variable speed motor maintains specified air volume from 0 though 0.80 in. w.g. static range.

Variable speed operation is achieved by the use of an ECM (Electronically Commutated Motor) motor.

Motor is controlled by SureLight® Integrated Furnace Two Stage / Variable Speed Blower Control.

Motor is resiliently mounted.

When furnaces are used with Harmony Zone Control System, blower motor operates from predetermined minimum - maximum air volumes to satisfy zone requirements.

FILTER (NOT FURNISHED)

Filter and provisions for external mounting must be field provided.

CABINET

Low profile, narrow width cabinet allows easy installation. Heavy gauge cold rolled steel constructed.

Pre-painted cabinet finish.

Flue outlet on top of cabinet.

Flanges provided on return air opening for ease of plenum connection.

Fully insulated cabinet with foil faced insulation on sides and back of heating compartment and mat faced insulation in blower compartment.

Complete service access.

14 Tool-less latches on burner and blower doors assure positive lock.

Safety interlock switch automatically shuts off power to unit when blower compartment access door is removed.

15 Gas piping and electrical inlets are provided in both sides of cabinet.

Coil Match-Up

All furnaces exactly match CR33 cased, down-flow indoor coils with furnished adaptor rails.

OPTIONS

Down-Flow Additive Base

Required for heating only units installed on combustible floors.

Not required in add-on cooling applications.

See Dimension drawing.

SPECIFICATIONS

Gas Heating Performance	Model No.	G60DFV -36A-070	G60DFV -36B-090	G60DFV -60C-090	G60DFV -60C-110	G60DFV -60D-135
	Low NO _x Model No.	G60DFV -36A-070X	---	G60DFV -60C-090X	G60DFV -60C-110X	---
Low Fire	Input - Btuh	45,000	60,000	60,000	75,000	90,000
	Output - Btuh)	36,000	48,000	48,000	61,000	73,000
	Temperature rise range - °F	20 - 50	25 - 55	20 - 50	20 - 50	25 - 55
	Gas Manifold Pressure (in. w.g.) - Natural Gas / LPG/Propane	1.7 / 4.9	1.7 / 4.9	1.7 / 4.9	1.7 / 4.9	1.7 / 4.9
High Fire	Input - Btuh	66,000	88,000	88,000	110,000	132,000
	Output - Btuh	54,000	72,000	72,000	91,000	109,000
	Temperature rise range - °F	35 - 65	45 - 75	30 - 60	30 - 60	40 - 70
	Gas Manifold Pressure (in. w.g.) - Natural Gas / LPG/Propane	3.5 / 10.0	3.5 / 10.0	3.5 / 10.0	3.5 / 10.0	3.5 / 10.0
	¹ AFUE	80.0%	80.0%	80.0%	80.0%	80.0%
	High static - in. w.g.	.80	.80	.80	.80	.80
Connections	Flue - in. round	4	4	4	4	4
	Gas pipe size IPS - in.	1/2	1/2	1/2	1/2	1/2
Indoor Blower	Wheel nom. diameter x width - in.	10 x 8	10 x 8	11-1/2 x 10	11-1/2 x 10	11-1/2 x 10
	Motor output - hp	1/2	1/2	1	1	1
	Tons of add-on cooling	2 - 3	2 - 3.5	3.5 - 5	3.5 - 5	4 - 5
Shipping weight	lbs. - 1 package	132	154	172	184	198
Electrical characteristics		120 volts - 60 hertz - 1 phase (less than 12 amps)				

NOTE - Filters and provisions for mounting are not furnished and must be field provided.

¹Annual Fuel Utilization Efficiency based on DOE test procedures and according to FTC labeling regulations. Isolated combustion system rating for non-weatherized furnaces.

OPTIONAL ACCESSORIES - MUST BE ORDERED EXTRA

	"A" Width Models	"B" Width Models	"C" Width Models	"D" Width Models
CABINET ACCESSORIES				
Down-Flow Additive Base	11M59	11M60	11M61	11M62
CONTROLS				
ComfortSense™ 7000 Thermostat	Y0349	Y0349	Y0349	Y0349
Remote Outdoor Temperature Sensor (for dual fuel and Humiditrol)	X2658	X2658	X2658	X2658

GAS HEAT ACCESSORIES

Input	High Altitude Orifice Kit Natural Gas	High Altitude Pressure Switch Kit - Order two each	LPG/Propane Kit		LPG/Propane to Natural Gas Kit	
	7501-10,000 ft.	7501-10,000 ft.	0-7500 ft.	7501-10,000 ft.	0-7500 ft.	¹ 7501-10,000 ft.
-all models	44W51	44W31	44W48	44W50	44W49	44W49 + 44W51

¹ High Altitude Orifice Kit is required and must be ordered separately for applications from 7501 to 10,000 ft.

INSTALLATION CLEARANCES

Vent Type	Type B1	Type C
Sides	0 inches (0 mm)	¹ 0 inches (0 mm)
Rear	0 inches (0 mm)	0 inches (0 mm)
Top	1 inch (25 mm)	1 inch (25 mm)
Front	3 inches (76 mm)	3 inches (76 mm)
Front (alcove)	24 inches (610 mm)	24 inches (610 mm)
Front (service)	24 inches (610 mm)	24 inches (610 mm)
Floor	² Combustible	² Combustible
Flue	1 inch (25 mm)	6 inches (152 mm)

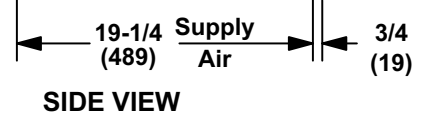
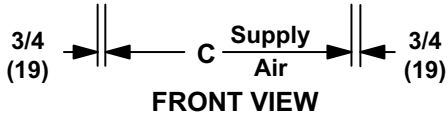
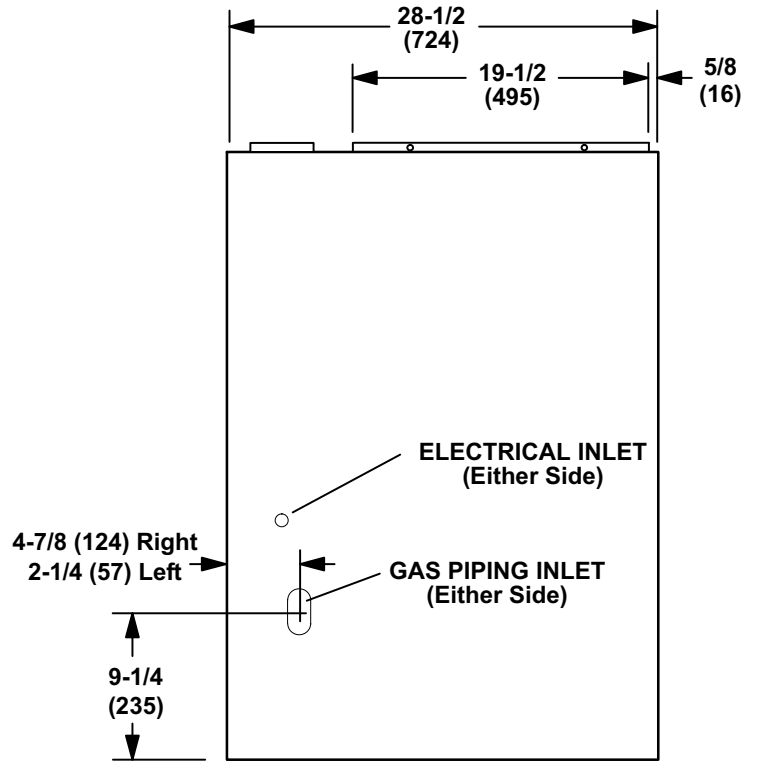
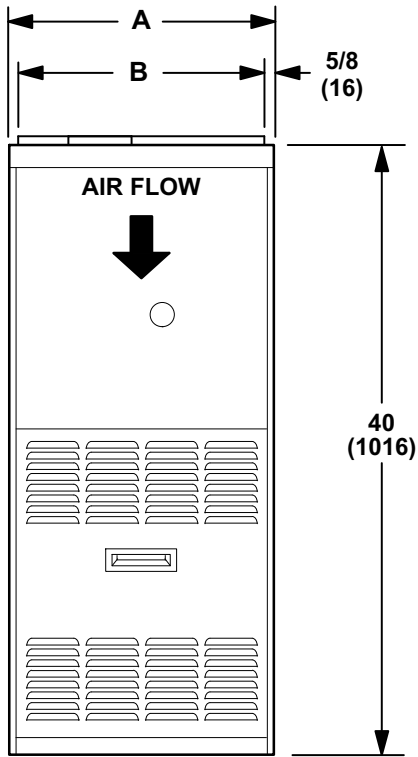
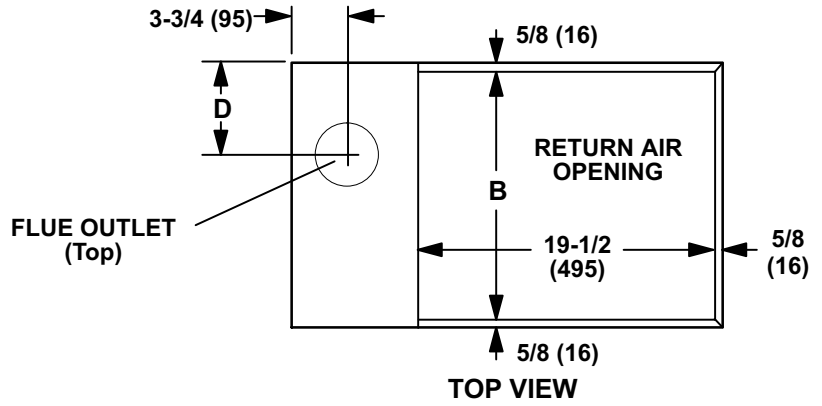
NOTE - Air for combustion must conform to the methods outlined in the National Fuel Gas Code (NFPA 54/ANSI-Z223.1) or the National Standard of Canada CAN/CSA-B149.1 "Natural Gas and Propane Installation Code".

NOTE - In the U.S. flue sizing must conform to the methods outlined in the current National Fuel Gas Code (NFPA 54/ANSI-Z223.1) or applicable provisions of local building codes. In Canada flue sizing must conform to the methods outlined in National Standard of Canada CAN/CSA-B149.1.

¹ Left side requires 4 in. clearance if single wall vent is used on 14-1/2 in. "A" width cabinets, and 2 in. clearance on 17-1/2 in. "B" width cabinets.

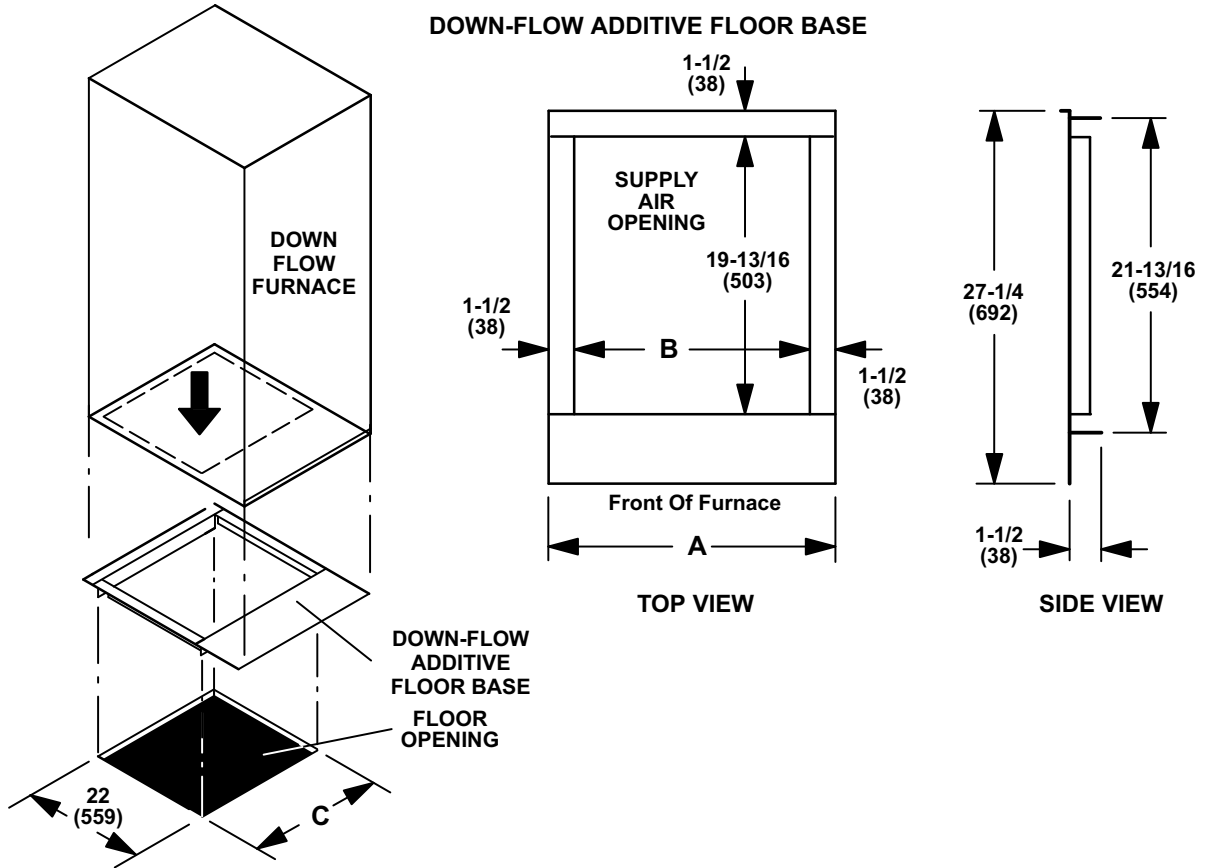
² Clearance for installation on combustible floor if optional additive base is installed between furnace and combustible floor. Not required in add-on cooling applications if installed in accordance with local codes or National Fuel Gas Code ANSI-Z223.1.

DIMENSIONS - INCHES (MM)



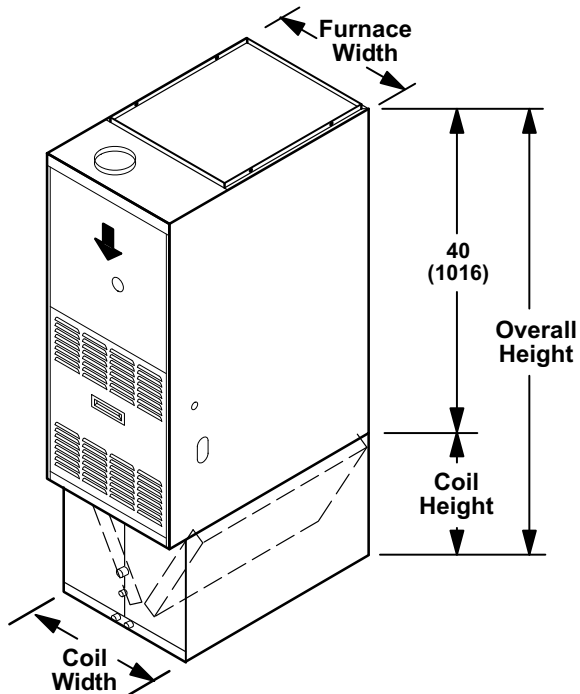
Model No.	A		B		C		D	
	in.	mm	in.	mm	in.	mm	in.	mm
G60DFV-36A-070	14-1/2	368	13-1/4	337	13	330	4-1/2	114
G60DFV-36B-090	17-1/2	446	16-1/4	413	16	406	6	152
G60DFV-60C-090	21	533	19-3/4	502	19-1/2	495	7-3/4	197
G60DFV-60C-110			23-1/4	591			9-1/2	241
G60DFV-60D-135	24-1/2	622	23-1/4	591	23	584	9-1/2	241

OPTIONAL ACCESSORY DIMENSIONS - INCHES (MM)



Model No.	A		B		C	
	in.	mm	in.	mm	in.	mm
G60DFV-36A-070	16-9/16	421	13-9/16	344	15-3/4	400
G60DFV-36B-090	19-9/16	497	16-9/16	421	18-3/4	476
G60DFV-60C-090 G60DFV-60C-110	23-1/16	586	20-1/16	510	22-1/4	565
G60DFV-60D-135	26-9/16	675	23-9/16	598	25-3/4	654

DIMENSIONS - INCHES (MM) - FURNACE/COIL COMBINED DIMENSIONS



Model Number	Coil Width		Furnace Width		Coil Height		Overall Height	
	in.	mm	in.	mm	in.	mm	in.	mm
CR33-18A-F	17-1/2	446	14-1/2	368	14-1/8	359	54-1/8	1375
CR33-24A-F	17-1/2	446	14-1/2	368	13-1/4	337	53-1/4	1353
CR33-24B-F	17-1/2	446	17-1/2	446	13-1/4	337	53-1/4	1353
CR33-30/36A-F	17-1/2	446	14-1/2	368	16-1/8	410	56-1/8	1426
CR33-30/36B-F	17-1/2	446	17-1/2	446	16-1/8	410	56-1/8	1426
CR33-30/36C-F	21	533	21	533	16-1/8	410	56-1/8	1426
CR33-48B-F	21	533	17-1/2	446	20	508	60	1524
CR33-48C-F	21	533	21	533	20	508	60	1524
CR33-50/60C-F	24-1/2	622	21	533	23-5/8	600	53-5/8	1362
CR33-60D-F	24-1/2	622	24-1/2	622	23-5/8	600	53-5/8	1362

BLOWER DATA

G60DFV-36A-070 BLOWER PERFORMANCE (less filter)
0 through 0.80 in. w.g. External Static Pressure Range

"ADJUST" Switch Positions	Speed Switch Positions							
	Second Stage "HEAT" Speed - cfm				Second Stage "COOL" Speed - cfm			
	1	1 2	3	4	1	2	3	1 4
+	945	1105	1375	1425	1105	1290	1390	1505
¹ NORM	855	995	1240	1285	1010	1140	1240	1360
—	785	885	1090	1125	875	1025	1090	1195

"ADJUST" Switch Positions	First Stage "HEAT" Speed - cfm				First Stage "COOL" Speed - cfm			
	1	1 2	3	4	1	2	3	1 4
	+	855	1005	1240	1295	765	855	910
¹ NORM	795	900	1110	1165	710	790	840	905
—	730	810	990	1025	660	725	765	810

¹ Factory default jumper setting.

NOTES - The effect of static pressure is included in air volumes shown.

Continuous Fan Only speed is approximately 38% of the same second stage COOL speed position.

Lennox Harmony III™ Zone Control Applications - Minimum blower speed is 426 cfm.

G60DFV-36A-070 BLOWER MOTOR WATTS

Jumper Speed Positions	Motor Watts @ Various External Static Pressures - in. wg.																		
	First Stage									Second Stage									
	0	0.1	0.2	0.3	0.4	0.5	0.6	0.7	0.8	0	0.1	0.2	0.3	0.4	0.5	0.6	0.7	0.8	
"+" (Plus) SETTING ("Adjust" Jumper at "+" Setting)																			
"HEAT" Speed	Tap 1	70	90	115	140	160	175	195	220	240	105	120	135	145	175	205	225	245	265
	Tap 2	105	125	155	180	200	225	245	270	290	150	170	200	225	250	270	295	320	345
	Tap 3	190	220	255	290	315	345	370	395	420	270	305	335	370	400	430	455	480	505
	Tap 4	225	255	285	315	335	355	390	420	455	270	315	365	420	435	465	490	515	540
"COOL" Speed	Tap 1	60	75	95	110	130	145	165	180	200	150	170	195	220	245	270	295	315	340
	Tap 2	80	95	110	125	150	170	195	220	240	230	255	280	310	340	375	400	430	460
	Tap 3	85	105	130	155	175	195	220	245	270	270	305	345	385	410	435	460	485	510
	Tap 4	110	130	155	185	205	225	240	250	265	370	395	425	455	490	525	550	575	595
"NORM" (Normal) SETTING ("Adjust" Jumper at "NORM" Setting)																			
"HEAT" Speed	Tap 1	65	80	95	115	135	150	170	190	205	70	90	110	135	155	170	195	215	235
	Tap 2	75	95	120	145	170	190	210	235	260	110	125	145	160	190	220	240	260	285
	Tap 3	130	155	185	210	240	270	295	320	345	190	220	250	280	310	335	365	395	425
	Tap 4	170	190	210	235	265	295	320	345	270	215	240	270	300	335	365	395	425	455
"COOL" Speed	Tap 1	50	65	85	100	120	135	150	165	175	100	120	150	175	205	230	250	270	290
	Tap 2	60	75	100	120	135	155	175	195	210	140	170	205	240	260	280	310	340	370
	Tap 3	70	85	105	125	145	165	190	210	230	205	230	265	295	325	355	375	400	420
	Tap 4	80	100	125	150	170	190	215	235	260	270	300	335	370	390	410	440	475	505
"-" (Minus) SETTING ("Adjust" Jumper at "-" Setting)																			
"HEAT" Speed	Tap 1	50	65	85	105	120	135	150	165	180	65	75	95	110	135	155	170	190	210
	Tap 2	70	85	100	120	140	160	180	205	230	80	95	115	135	160	185	205	225	245
	Tap 3	105	125	150	170	190	210	230	250	275	145	165	190	210	240	265	290	315	335
	Tap 4	130	150	170	190	210	230	250	275	300	150	170	200	225	260	290	310	325	345
"COOL" Speed	Tap 1	40	55	70	85	105	125	140	155	170	75	95	120	140	165	185	205	230	255
	Tap 2	50	65	85	105	120	135	150	165	185	115	135	160	190	210	230	255	275	295
	Tap 3	60	75	95	110	130	150	165	185	200	125	155	185	220	240	260	285	310	340
	Tap 4	60	80	100	120	140	160	180	200	220	175	200	235	265	295	325	345	360	380

BLOWER DATA

G60DFV-36B-090 BLOWER PERFORMANCE (less filter)
0 through 0.80 in. w.g. External Static Pressure Range

"ADJUST" Switch Positions	Speed Switch Positions							
	Second Stage "HEAT" Speed - cfm				Second Stage "COOL" Speed - cfm			
	1	1 2	3	4	1	2	3	1 4
+	1005	1165	1435	1495	1145	1330	1425	1555
¹ NORM	920	1055	1295	1350	1040	1195	1285	1405
—	N/A	935	1150	1185	920	1060	1140	1235

"ADJUST" Switch Positions	First Stage "HEAT" Speed - cfm				First Stage "COOL" Speed - cfm			
	1	1 2	3	4	1	2	3	1 4
	+	915	1060	1300	1350	805	910	970
¹ NORM	840	955	1170	1210	745	825	875	950
—	N/A	860	1040	1080	695	765	800	860

¹ Factory default jumper setting.

N/A - First and second stage HEAT positions shown cannot be used on this model.

NOTES - The effect of static pressure is included in air volumes shown.

Continuous Fan Only speed is approximately 38% of the same second stage COOL speed position.

Lennox Harmony III™ Zone Control Applications - Minimum blower speed is 523 cfm.

G60DFV-36B-090 BLOWER MOTOR WATTS

Jumper Speed Positions	Motor Watts @ Various External Static Pressures - in. wg.																		
	First Stage									Second Stage									
	0	0.1	0.2	0.3	0.4	0.5	0.6	0.7	0.8	0	0.1	0.2	0.3	0.4	0.5	0.6	0.7	0.8	
"+" (Plus) SETTING ("Adjust" Jumper at "+" Setting)																			
"HEAT" Speed	Tap 1	60	80	100	125	145	165	185	205	225	80	100	120	140	170	195	215	235	255
	Tap 2	85	110	140	165	190	210	235	255	280	130	150	170	195	220	250	270	295	320
	Tap 3	170	195	225	255	280	310	340	370	400	230	260	295	325	360	395	425	450	480
	Tap 4	185	215	245	275	310	345	375	410	440	260	295	335	375	405	430	460	490	520
"COOL" Speed	Tap 1	50	65	80	100	115	130	155	175	195	115	135	160	190	215	235	265	290	320
	Tap 2	60	75	100	120	140	165	180	200	220	165	195	230	270	300	330	355	385	415
	Tap 3	70	90	110	135	155	175	195	220	240	225	255	290	325	355	385	420	450	485
	Tap 4	90	110	135	160	185	205	225	245	265	310	345	375	410	440	470	500	535	570
"NORM" (Normal) SETTING ("Adjust" Jumper at "NORM" Setting)																			
"HEAT" Speed	Tap 1	50	65	85	105	125	150	165	180	195	65	85	105	120	145	165	185	205	225
	Tap 2	70	90	110	130	155	175	200	220	240	85	110	135	160	185	205	225	245	265
	Tap 3	120	140	170	195	225	255	280	305	335	155	185	220	255	280	305	335	365	395
	Tap 4	135	160	185	215	240	265	295	325	355	190	220	250	285	315	345	370	400	425
"COOL" Speed	Tap 1	40	55	70	85	105	120	135	155	170	90	105	130	155	175	200	220	245	265
	Tap 2	50	65	85	100	120	140	160	175	190	135	155	180	200	235	265	290	315	335
	Tap 3	55	70	90	110	130	150	170	190	215	155	185	215	250	280	315	340	370	395
	Tap 4	70	90	110	135	155	175	195	215	235	210	240	280	315	345	375	400	430	460
 "-" (Minus) SETTING ("Adjust" Jumper at "-" Setting)																			
"HEAT" Speed	Tap 1	N/A	N/A	N/A	N/A	N/A	N/A	N/A	N/A	N/A	N/A	N/A	N/A	N/A	N/A	N/A	N/A	N/A	N/A
	Tap 2	55	70	90	110	130	150	170	195	215	65	85	105	130	150	175	195	215	235
	Tap 3	80	100	130	155	175	195	220	240	260	115	140	165	190	215	240	265	295	325
	Tap 4	100	120	140	165	190	215	235	260	280	125	145	175	200	230	255	280	310	340
"COOL" Speed	Tap 1	35	45	60	75	95	110	125	145	160	65	80	105	125	145	170	185	200	220
	Tap 2	40	55	70	90	105	125	140	155	170	90	110	140	170	190	210	230	250	270
	Tap 3	50	65	80	100	115	135	150	170	185	115	135	165	195	215	235	265	290	320
	Tap 4	55	70	90	110	130	150	165	180	200	130	160	200	235	265	290	315	335	360

BLOWER DATA

G60DFV-60C-090 BLOWER PERFORMANCE (less filter)
0 through 0.80 in. w.g. External Static Pressure Range

"ADJUST" Switch Positions	Speed Switch Positions							
	Second Stage "HEAT" Speed - cfm				Second Stage "COOL" Speed - cfm			
	1	1 2	3	4	1	2	3	1 4
+	1620	1820	2030	2260	1750	1860	2100	2365
¹ NORM	1465	1660	1865	2060	1565	1685	1905	2130
—	1300	1475	1675	1845	1390	1505	1710	1920
"ADJUST" Switch Positions	First Stage "HEAT" Speed - cfm				First Stage "COOL" Speed - cfm			
	1	1 2	3	4	1	2	3	1 4
	+	1470	1685	1885	2060	1200	1280	1460
¹ NORM	1325	1515	1725	1885	1090	1165	1315	1475
—	1200	1335	1520	1695	970	1050	1190	1315

¹ Factory default jumper setting.

NOTES - The effect of static pressure is included in air volumes shown.

Continuous Fan Only speed is approximately 38% of the same second stage COOL speed position.

Lennox Harmony III™ Zone Control Applications - Minimum blower speed is 520 cfm.

G60DFV-60C-090 BLOWER MOTOR WATTS

Jumper Speed Positions	Motor Watts @ Various External Static Pressures - in. wg.																		
	First Stage									Second Stage									
	0	0.1	0.2	0.3	0.4	0.5	0.6	0.7	0.8	0	0.1	0.2	0.3	0.4	0.5	0.6	0.7	0.8	
"+" (Plus) SETTING ("Adjust" Jumper at "+" Setting)																			
"HEAT" Speed	Tap 1	160	190	230	265	295	325	355	390	420	220	255	295	335	365	395	430	460	495
	Tap 2	250	285	320	360	395	435	465	495	525	300	345	390	440	475	510	540	565	595
	Tap 3	345	380	415	455	495	540	570	600	630	445	480	515	550	595	640	685	730	775
	Tap 4	435	480	525	575	620	660	710	755	805	610	655	705	750	805	855	895	935	975
"COOL" Speed	Tap 1	110	130	155	185	205	225	250	275	300	300	330	365	400	440	475	505	540	575
	Tap 2	130	150	180	205	225	250	275	300	325	345	380	425	465	500	530	570	605	640
	Tap 3	175	200	230	260	295	330	360	385	415	495	545	600	655	695	735	775	815	855
	Tap 4	240	270	310	350	385	420	455	490	525	760	805	850	890	935	980	1015	1045	1075
"NORM" (Normal) SETTING ("Adjust" Jumper at "NORM" Setting)																			
"HEAT" Speed	Tap 1	140	160	185	210	240	270	295	320	345	165	195	225	260	295	330	360	390	420
	Tap 2	195	225	255	285	315	345	375	410	445	210	250	295	345	380	420	450	480	510
	Tap 3	270	300	340	375	410	450	490	525	560	325	365	405	450	490	525	560	595	630
	Tap 4	335	375	420	460	505	550	585	615	650	455	495	540	585	625	660	705	750	795
"COOL" Speed	Tap 1	85	105	125	145	170	195	220	240	265	200	230	270	305	340	375	405	435	465
	Tap 2	95	120	150	180	200	220	240	260	280	245	280	320	365	395	425	460	490	525
	Tap 3	135	155	185	215	240	265	290	315	335	360	400	440	480	525	565	600	635	670
	Tap 4	165	195	230	265	295	325	355	385	415	495	545	595	650	695	740	780	820	865
"-" (Minus) SETTING ("Adjust" Jumper at "-" Setting)																			
"HEAT" Speed	Tap 1	110	130	155	180	205	225	245	270	290	130	150	180	205	235	260	280	305	325
	Tap 2	145	170	195	220	245	270	300	325	355	155	190	230	265	295	325	360	395	430
	Tap 3	195	220	255	285	320	355	385	415	450	235	275	315	355	390	420	455	495	530
	Tap 4	265	295	335	375	405	435	465	500	535	320	355	400	440	475	510	545	580	620
"COOL" Speed	Tap 1	65	80	105	125	140	160	180	205	225	155	180	210	240	265	290	320	355	385
	Tap 2	75	95	115	140	160	180	200	225	250	185	210	245	280	310	345	370	400	430
	Tap 3	105	130	155	185	205	225	245	270	290	255	290	330	370	405	440	475	510	545
	Tap 4	135	160	185	215	240	265	290	315	335	380	415	455	495	530	565	595	625	655

BLOWER DATA

G60DFV-60C-110 BLOWER PERFORMANCE (less filter)
0 through 0.80 in. w.g. External Static Pressure Range

"ADJUST" Switch Positions	Speed Switch Positions							
	Second Stage "HEAT" Speed - cfm				Second Stage "COOL" Speed - cfm			
	1	1 2	3	4	1	2	3	1 4
+	1565	1765	1980	2210	1685	1800	2035	2295
¹ NORM	1400	1620	1805	1995	1510	1645	1855	2075
—	N/A	1415	1615	1780	1340	1450	1670	1845

"ADJUST" Switch Positions	First Stage "HEAT" Speed - cfm				First Stage "COOL" Speed - cfm			
	1	1 2	3	4	1	2	3	1 4
	+	1415	1625	1815	2000	1150	1235	1400
¹ NORM	1280	1465	1655	1830	1045	1130	1265	1420
—	N/A	1290	1465	1645	930	1000	1135	1265

¹ Factory default jumper setting.

N/A - First and second stage HEAT positions shown cannot be used on this model.

NOTES - The effect of static pressure is included in air volumes shown.

Continuous Fan Only speed is approximately 38% of the same second stage COOL speed position.

Lennox Harmony III™ Zone Control Applications - Minimum blower speed is 475 cfm.

G60DFV-60C-110 BLOWER MOTOR WATTS

Jumper Speed Positions	Motor Watts @ Various External Static Pressures - in. wg.																		
	First Stage									Second Stage									
	0	0.1	0.2	0.3	0.4	0.5	0.6	0.7	0.8	0	0.1	0.2	0.3	0.4	0.5	0.6	0.7	0.8	
"+" (Plus) SETTING ("Adjust" Jumper at "+" Setting)																			
"HEAT" Speed	Tap 1	170	195	225	260	285	315	345	375	405	205	240	285	330	360	385	415	450	480
	Tap 2	240	275	310	350	385	420	450	475	505	305	335	375	410	445	480	515	550	585
	Tap 3	325	360	400	440	475	515	550	590	625	435	475	510	550	590	630	660	695	725
	Tap 4	445	480	515	550	595	640	675	710	745	565	615	670	725	775	820	860	900	935
"COOL" Speed	Tap 1	110	125	150	170	195	220	245	265	290	270	305	340	380	410	440	475	510	545
	Tap 2	130	150	170	195	215	230	255	280	305	325	360	395	430	470	505	540	575	610
	Tap 3	155	185	220	255	275	300	325	355	380	450	490	535	580	630	680	720	755	795
	Tap 4	220	255	290	325	365	400	425	450	475	660	715	775	830	865	900	940	985	1025
"NORM" (Normal) SETTING ("Adjust" Jumper at "NORM" Setting)																			
"HEAT" Speed	Tap 1	145	165	185	210	235	255	280	305	325	155	185	215	250	280	310	340	365	395
	Tap 2	190	215	245	280	305	330	360	390	420	235	270	305	340	380	415	440	465	490
	Tap 3	270	300	335	370	400	430	465	500	535	330	360	390	425	465	505	540	575	615
	Tap 4	340	375	410	450	490	530	560	590	620	445	475	505	540	585	625	670	710	755
"COOL" Speed	Tap 1	85	100	120	140	165	185	210	230	255	190	225	260	300	330	360	390	425	455
	Tap 2	95	115	140	165	190	215	230	250	270	260	290	320	355	395	430	460	490	520
	Tap 3	145	160	180	200	225	255	280	305	330	340	385	430	475	505	535	570	605	640
	Tap 4	160	190	225	255	290	320	350	375	405	475	525	575	630	670	710	745	780	815
"-" (Minus) SETTING ("Adjust" Jumper at "-" Setting)																			
"HEAT" Speed	Tap 1	N/A	N/A	N/A	N/A	N/A	N/A	N/A	N/A	N/A	N/A	N/A	N/A	N/A	N/A	N/A	N/A	N/A	N/A
	Tap 2	145	165	190	215	235	260	285	310	335	165	190	225	255	290	325	350	380	405
	Tap 3	185	215	245	270	305	340	370	395	420	245	275	310	345	375	405	440	475	505
	Tap 4	250	285	325	365	395	430	455	485	510	305	345	385	425	460	495	520	550	580
"COOL" Speed	Tap 1	70	80	100	115	140	160	180	200	220	150	175	205	235	260	280	310	335	365
	Tap 2	80	95	115	130	150	170	190	215	235	185	210	240	270	300	325	355	385	415
	Tap 3	100	120	145	170	190	210	230	250	270	265	295	330	365	400	435	460	490	520
	Tap 4	140	155	175	195	225	255	280	305	325	340	380	430	475	505	530	565	605	640

BLOWER DATA

G60DFV-60D-135 BLOWER PERFORMANCE (less filter)
0 through 0.80 in. w.g. External Static Pressure Range

"ADJUST" Switch Positions	Speed Switch Positions							
	Second Stage "HEAT" Speed - cfm				Second Stage "COOL" Speed - cfm			
	1	1 ²	3	4	1	2	3	1 ⁴
+	1570	1785	2000	2235	1680	1810	2050	2310
¹ NORM	1410	1610	1825	2020	1500	1645	1865	2095
-	N/A	1420	1620	1805	1340	1440	1670	1865
"ADJUST" Switch Positions	First Stage "HEAT" Speed - cfm				First Stage "COOL" Speed - cfm			
	1	1 ²	3	4	1	2	3	1 ⁴
	+	1415	1630	1840	2030	1160	1235	1400
NORM	1280	1465	1665	1850	1045	1125	1265	1420
—	N/A	1295	1475	1645	935	1005	1145	1270

¹ Factory default jumper setting.

N/A - First and second stage HEAT positions shown cannot be used on this model.

NOTES - The effect of static pressure is included in air volumes shown.

Continuous Fan Only speed is approximately 38% of the same second stage COOL speed position.

Lennox Harmony III™ Zone Control Applications - Minimum blower speed is 477 cfm.

G60DFV-60D-135 BLOWER MOTOR WATTS

Jumper Speed Positions	Motor Watts @ Various External Static Pressures - in. wg.																		
	First Stage									Second Stage									
	0	0.1	0.2	0.3	0.4	0.5	0.6	0.7	0.8	0	0.1	0.2	0.3	0.4	0.5	0.6	0.7	0.8	
"+" (Plus) SETTING ("Adjust" Jumper at "+" Setting)																			
"HEAT" Speed	Tap 1	155	180	215	245	270	295	320	345	375	190	225	260	300	335	370	400	430	460
	Tap 2	205	250	300	350	375	400	430	465	500	275	315	355	400	435	470	505	540	575
	Tap 3	325	360	390	425	465	500	535	570	605	410	445	480	515	550	590	635	675	720
	Tap 4	435	465	500	530	575	620	660	695	730	535	585	645	705	750	800	840	880	920
"COOL" Speed	Tap 1	90	115	140	165	195	220	240	260	285	240	275	315	360	390	420	455	485	520
	Tap 2	115	135	160	185	210	235	260	280	305	270	315	375	430	460	490	525	565	600
	Tap 3	140	170	205	240	265	290	320	345	375	425	470	515	560	610	660	700	740	780
	Tap 4	210	240	275	305	340	375	410	445	480	610	660	720	780	830	880	925	965	1005
"NORM" (Normal) SETTING ("Adjust" Jumper at "NORM" Setting)																			
"HEAT" Speed	Tap 1	130	150	170	190	225	255	280	305	330	150	175	210	245	275	300	325	350	375
	Tap 2	170	195	225	255	290	325	355	385	415	215	245	280	315	355	395	430	460	495
	Tap 3	240	270	305	340	375	415	445	480	515	285	330	380	425	460	495	535	575	610
	Tap 4	295	340	390	440	475	505	540	580	615	400	445	490	540	590	635	670	710	745
"COOL" Speed	Tap 1	75	90	115	140	165	190	205	225	245	185	210	240	270	305	340	370	395	425
	Tap 2	95	115	135	155	180	205	225	250	270	225	260	300	345	375	410	435	465	490
	Tap 3	125	145	175	200	220	240	270	295	320	320	360	405	450	490	530	565	605	640
	Tap 4	145	175	215	250	275	300	335	365	395	460	500	545	590	635	680	725	770	810
"-" (Minus) SETTING ("Adjust" Jumper at "-" Setting)																			
"HEAT" Speed	Tap 1	N/A	N/A	N/A	N/A	N/A	N/A	N/A	N/A	N/A	N/A	N/A	N/A	N/A	N/A	N/A	N/A	N/A	N/A
	Tap 2	130	155	180	205	230	255	280	300	325	145	175	210	240	275	305	335	360	390
	Tap 3	160	190	225	255	290	325	355	385	410	210	245	290	330	360	385	420	450	485
	Tap 4	230	265	305	345	380	410	440	465	490	290	325	365	410	440	475	510	550	585
"COOL" Speed	Tap 1	70	80	95	110	135	160	180	205	225	145	165	190	215	245	275	305	335	370
	Tap 2	65	85	110	135	150	170	190	215	235	160	190	220	255	285	315	345	375	400
	Tap 3	90	115	140	165	190	210	230	250	270	230	265	305	350	385	420	455	485	520
	Tap 4	125	145	170	195	220	240	270	295	320	335	365	400	435	480	525	560	595	630

REVISIONS

Sections	Description of Change
Optional Accessories Table/ Gas Heating Accessories	Replaced SignatureStat with ComfortSense 7000 Updated High Altitude Pressure Switch Kits, High Altitude Orifice Kits, Natural to LPG Conversion Kits and LPG to Natural Conversion Kits



Visit us at www.lennox.com

For the latest technical information, www.lennoxdavenet.com

Contact us at 1-800-4-LENNOX

NOTE - Due to Lennox' ongoing commitment to quality, Specifications, Ratings and Dimensions subject to change without notice and without incurring liability. Improper installation, adjustment, alteration, service or maintenance can cause property damage or personal injury. Installation and service must be performed by a qualified installer and servicing agency.

©2008 Lennox Industries Inc.