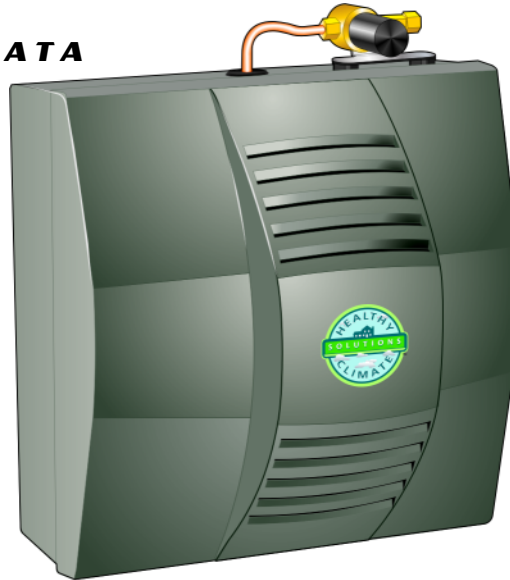


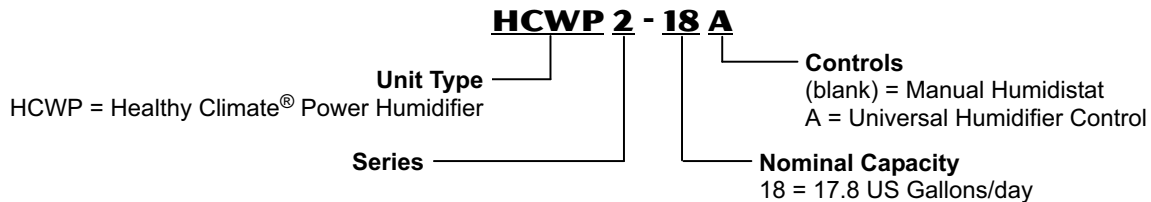


ENGINEERING DATA



Universal Humidifier Control
(Furnished with "A" Models)

MODEL NUMBER IDENTIFICATION



FEATURES

WARRANTY

All covered components have a limited warranty for five years in residential applications, one year in non-residential applications. Refer to the Lennox Equipment Limited Warranty certificate included with the unit for additional details.

APPROVALS

Units are ETL listed per ANSI/UL 998 and CSA C22.2 No.104-01.

APPLICATIONS

Installs on the supply air plenum. May be installed on the return air plenum if hot water (140°F maximum) is supplied to humidifier. Applicable to most forced air installations. Not for installation in horizontal supply ducts in horizontal applications. Provides additional humidity to the home during the heating season to increase comfort level. Humidifier, saddle valve and humidifier control shipped in one package.

SEQUENCE OF OPERATION

Humidifier will only operate when indoor blower is operating. When the level of moisture in the return air or living space area drops below the set point of the humidistat/universal control, the water solenoid valve opens, water flows into a distribution tray and weeps down through evaporator pad, fan draws air in through the moistened evaporator pad and forces the humidified air back into supply air stream. When the humidistat/universal control is satisfied, the water solenoid valve closes and the fan turns off.

CABINET

Rugged, corrosion resistant molded plastic. Motor and electrical service access located on front of cabinet in separate compartment. Front of unit lifts off to access the evaporator pad and internal plumbing.

MOTOR

Thermally protected. Permanently lubricated for long life. Factory installed in molded plastic housing for protection against moisture.

CONTROLS

Humidistat - HCWP2-18 models

Can be horizontally or vertically mounted on wall or duct. Provides manual control of room relative humidity. Wired in series with the humidifier water solenoid valve. Adjustable setting.

Universal Humidifier Control - HCWP2-18A models

Wall or duct mounted. Automatic or manual control. Senses indoor relative humidity and outdoor temperature. Includes outdoor temperature sensor for use with automatic control option. Adjusts humidity setpoint to provide optimum humidity levels within the space. Adjustable setting.

FEATURES

WATER SUPPLY SYSTEM

Consists of copper supply tubing, orifice, distribution tray, cleanable/replaceable internal mesh strainer and 24 volt brass water solenoid valve with stainless steel seat.

Equaflo™ Distribution Tray

Deep reservoir and unique channel design provides even water distribution across the evaporator media pad for optimal performance.

Evaporator Media Pad

Provides large evaporation capacity.
Pad and support frame removable for cleaning or replacement.
Annual pad replacement recommended.

Drain

1/2 in. drain fitting at bottom of cabinet.
1/2 in. ID plastic tubing must be field provided.
Unused water from the evaporator pad is drained from the unit to help remove mineral deposits left from the evaporative process.

Saddle Valve

All necessary fittings furnished as standard equipment.
Field installs in the water supply line.

MAINTENANCE SUPPLIES

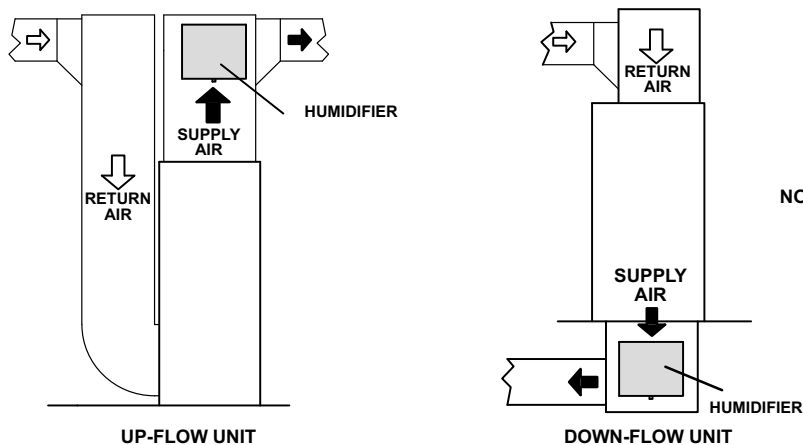
Replacement Media

Recommended annual replacement of media pad.
See Specifications table for catalog number.

SPECIFICATIONS

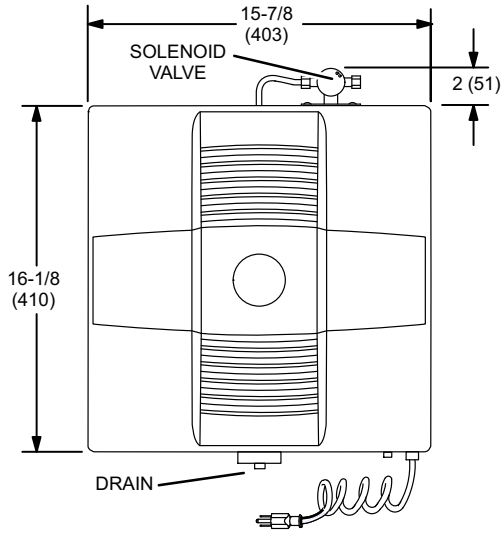
	Model No. - Humidistat Control	HCWP2-18
	Model No. - Universal Humidifier Control	HCWP2-18A
Capacity	Plenum Air Temperature	120°F
	US Gallons per day	17.8
Water Feed Rate		3 gallons per hour
Evaporator pad size - H x W x D - in.		13 x 10 x 1-5/8
Connections	Plenum H x W - in.	14-1/2 x 14-3/4
	Water supply	1/4 in. compression
	Drain	1/2 in. I.D.
	Electrical	Power cord with 3 prong plug
Electrical characteristics		120V - 60hz - 1ph
Shipping Data - lbs. (1 package)		17
MAINTENANCE SUPPLIES - MUST BE ORDERED EXTRA		
Replacement Media		X2661

TYPICAL APPLICATIONS

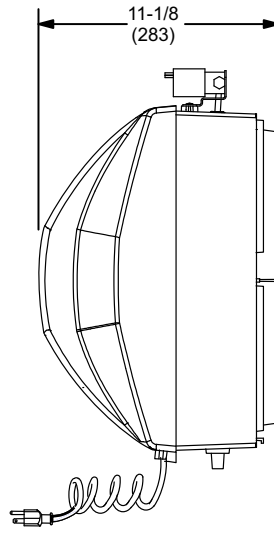


NOTE - Not for installation in horizontal supply ducts in horizontal applications.

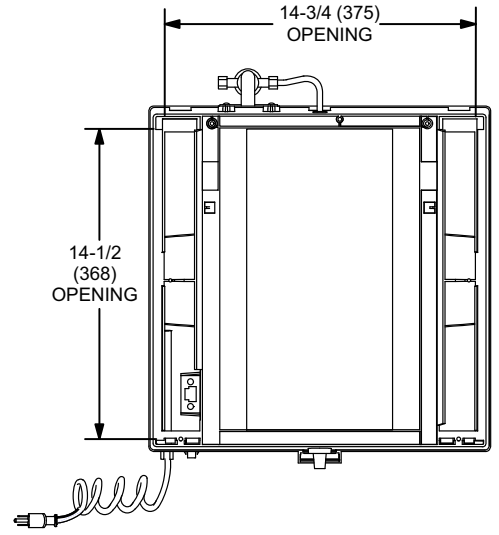
DIMENSIONS - INCHES (MM)



FRONT VIEW



RIGHT SIDE VIEW



BACK VIEW

REVISIONS

Sections	Description of Change
Features	Changed standard humidistat to manual humidistat
Specifications	Added water feed rate



Visit us at www.lennox.com

For the latest technical information, www.lennox.com

Contact us at 1-800-4-LENNOX

NOTE - Due to an ongoing commitment to quality, Specifications, Ratings and Dimensions subject to change without notice and without incurring liability. Improper installation, adjustment, alteration, service or maintenance can cause property damage or personal injury. Installation and service must be performed by a qualified installer and servicing agency.

©2008 Lennox Industries Inc.