



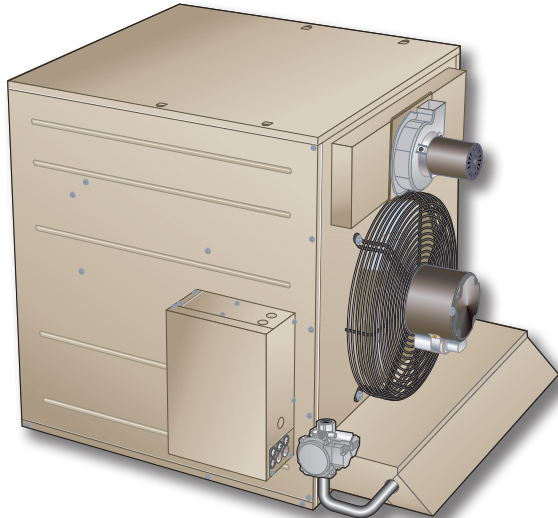
LF25-125-400

UNIT HEATERS

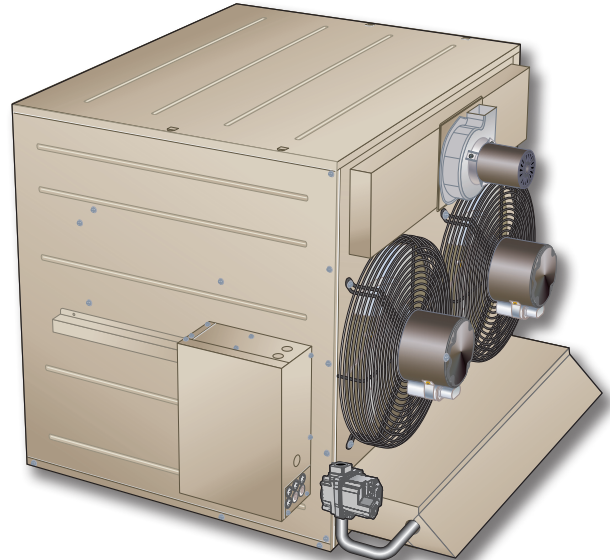
Horizontal - 60 Hz

**COMMERCIAL
PRODUCT SPECIFICATIONS**

Bulletin No. 210900
September 2019
Supersedes August 2019



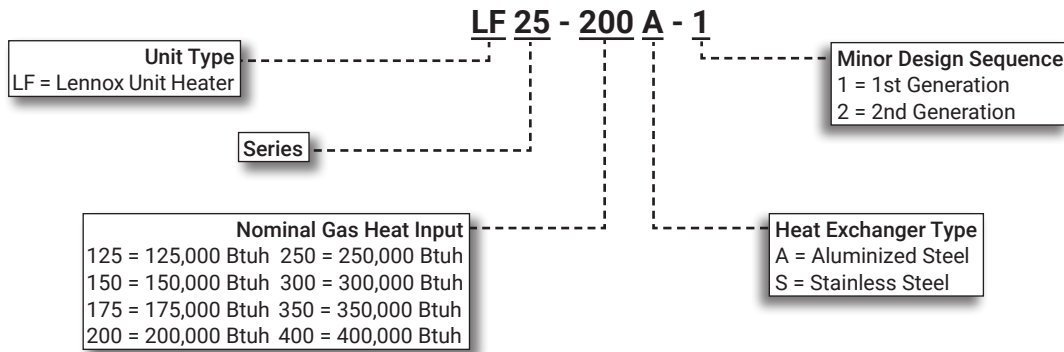
LF25-125-200 (Single Fan)



LF25-250-400 (Dual Fans)

Steady-State Efficiency - up to 83%
Input - 125,000 to 400,000 Btuh

MODEL NUMBER IDENTIFICATION



CONTENTS

Accessory Dimensions	10
Dimensions	8
Electrical Data	5
Features And Benefits	2
Gas Heat Accessories	6
Installation Clearances	7
Model Number Identification	1
Optional Accessories - Order Separately	6
Optional Conventional Temperature Control Systems Specifications	4
Specifications	5
Vent Kits And Accessories	11

WARRANTY AND APPROVALS

WARRANTY

- Heat Exchanger - Stainless steel - fifteen year limited
- Heat Exchanger - Aluminized steel - ten year limited
- All other covered components - Limited one year

APPROVALS

- CSA International certified
- Certified for natural or LPG/Propane gas.
- ISO 9001 Registered Manufacturing Quality System

FEATURES AND BENEFITS

APPLICATIONS

- Horizontal unit heaters are compact in design and easy to install
- Steady-state heating efficiencies of up to 83%
- Ideal for economical commercial heating systems
- Shipped completely assembled with controls factory installed and wired
- Test operated at the factory to ensure proper operation and dependability
- Units may be vented horizontally or vertically

NOTE - Installer must locate unit, make unit gas supply, flue, electrical connections and mount thermostat to complete job.

HEATING SYSTEM

Tubular Aluminized or Stainless Steel Heat Exchanger

- Tubular heat exchanger is constructed of aluminized or stainless steel for superior resistance to corrosion and oxidation
- Curved design allows complete exposure of heating surfaces to supply air stream
- Dimpled tubes for maximum heat transfer
- Compact design reduces space requirements in unit cabinet
- Heat exchanger has been laboratory life cycle tested

Inshot Burner Assembly

- Aluminized steel inshot burner provides efficient trouble free operation
- Burner venturi mixes air and gas in correct proportion for proper combustion
- Burner assembly is removable from the unit as a single component for ease of service

Gas Control Valve

- 24 volt redundant combination gas control valve
- Combines manual shut off switch (On-Off), automatic electric valve (dual) and gas pressure regulation into a compact combination control

Combustion Air Inducer

- Prepurges heat exchanger
- Safely vents combustion products
- Operates only during heating cycle
- Blower motor has ball bearings and is thermally protected
- Combustion air inducer on LF25-125 through LF25-150 units may be rotated 90° to left or right of vertical to facilitate installation

Pressure Switch

- Pressure switch prevents unit operation in case of blocked flue outlet

Limit Control(s)

- Factory installed and accurately located
- Limit control has fixed temperature setting
- Protects heating system from abnormal operating conditions

Flame Rollout Switch

- Automatic reset switch is factory installed on front of the burner box

Optional Accessories

High Altitude Pressure Switch Kit

- Required for proper unit operation at various elevations
- Refer to the High Altitude Pressure Switch Kit table on page 6

Natural Gas to LPG/Propane Conversion Kit

- Required for field changeover from natural gas to LPG/Propane
- Refer to the Natural Gas to LPG/Propane Conversion Kit table on page 6

FEATURES AND BENEFITS

CONTROLS

Combination Direct Spark Ignition/Fan Timer Control Ignition Control

- Electronic direct spark ignition control provides positive and safe main burner ignition
- Spark is intermittent and occurs only when required
- Separate electronic flame sensor control assures safe and reliable operation
- Should loss of flame occur, flame sensor controls will initiate 5 attempts at re-ignition before locking out unit operation
- Control board contains all necessary controls and relays to operate unit
- Includes: Fan timer control - fan on 30 seconds (fixed), fan off 150 seconds (fixed), terminal strip for thermostat connections, diagnostic LED for troubleshooting
- Direct plug-in wiring harness

Transformer

- 120V/24V transformer furnished as standard

Optional Accessories

Thermostats

- For thermostat options, see Optional Conventional Temperature Control Systems on page 4

VENTING

- Units may be vented horizontally or vertically
 - **Vertical Venting** - LF25 units are approved for installation with single wall and type B-1 double wall vent pipe
 - **Horizontal Venting** - LF25 units are approved for installation with single wall or Lennox-approved stainless steel vent kits

Optional Accessories

Horizontal Vent Kits

- UL listed, Cat III stainless steel vent kits are available for upward or downward slope
- 4 to 5 in. vent kits snap together
- 6 in. vent kit include connection clamps
- Kits include unit transition, vent termination and wall thimble
- Upward slope kits have drain connection
- 5 in. downward slope kits have double male adaptor
- Provisions for hanging must be field supplied
- 45° or 90° elbow is available and required for certain size units where the combustion air inducer cannot be rotated 90°
- Straight pipe sections in various lengths are also available

NOTE - See Horizontal Vent Kits / Elbow table for Lennox-approved Horizontal Vent Kits and accessories.

NOTE - See drawings for additional information.

NOTE - See installation instructions for detailed venting requirements.

DIRECT DRIVE FAN

- All models are equipped with efficient and quiet operating direct drive fan

CABINET

- Constructed of pre-painted steel
- Cabinet is ribbed for improved sound reduction
- Fan orifice opening is punched for improved airflow and sound performance
- Adjustable louvers are furnished on cabinet for control of air flow direction
- Wiring junction box is conveniently located outside unit cabinet for easy field wiring connections

Optional Accessories

Discharge Nozzles

- Directs discharge air from unit heater
- Available in 30°, 45°, 60° and 90° style
- Fully assembled from heavy-gauge steel
- Paint finish matches unit heater
- See Dimension Drawings

OPTIONAL CONVENTIONAL TEMPERATURE CONTROL SYSTEMS

Comfortsense® 7500 Commercial 7-Day Programmable Thermostat



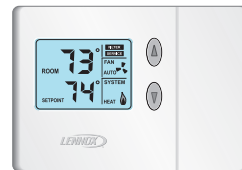
- Four-Stage Heating / Two-Stage Cooling
- Universal Multi-Stage
- Intuitive Touchscreen Interface
- Automatic Changeover between Heating and Cooling
- Full Seven-Day Programming
- Four Time Periods Per Day
- Temperature and Humidity Control
- One-Touch Away Mode
- Holiday Scheduling
- Smooth Setback Recovery (SSR)
- Performance Reports
- Notifications/Reminders
- Dehumidification/Humiditrol® Control for Split Systems and Rooftop Units
- Economizer Relay Control
- Backlit Display
- Wallplate Furnished
- FDD, ASHRAE and IECC Compliant

Comfortsense® 3000 Commercial 5-2 Day Programmable Thermostat



- Two-Stage Heating / Two-Stage Cooling
- Conventional Systems
- Intuitive Interface
- 5-2 Day Programming
- Program Hold
- Remote Indoor Temperature Sensing
- Smooth Setback Recovery (SSR)
- Economizer Relay Control
- Maintenance/Filter/Service Reminders
- Backlit Display
- Wallplate Furnished
- Simple Up and Down Temperature Control

Comfortsense® Non-Programmable Thermostat



- One-Stage Heating / Cooling
- Conventional Systems
- Intuitive Interface
- Manual Changeover
- Backlit Display
- Simple Up and Down Temperature Control

OPTIONAL CONVENTIONAL TEMPERATURE CONTROL SYSTEMS

Description	Model No.	Catalog No.
Comfortsense® 7500 Commercial 7-Day Programmable Thermostat	C0STAT06FF2L	17G74
Universal thermostat locking guard (clear)	C0MISC15AE1-	39P21
Temperature Sensors	¹ Remote non-adjustable wall-mount 20k	C0SNZN01AE2-
	¹ Remote non-adjustable wall-mount 10k	C0SNZN73AE1-
	Remote non-adjustable discharge air (duct mount)	C0SNDC00AE1-
	Outdoor temperature sensor	C0SNSR03AE1-
		47W36
		47W37
		19L22
		X2658

¹ Remote wall-mount sensors can be applied in any of the following combinations:

- One Sensor - (1) 47W36
- Two Sensors - (2) 47W37
- Three Sensors - (2) 47W36 and (1) 47W37
- Four Sensors - (4) 47W36
- Five Sensors - (3) 47W36 and (2) 47W37

Comfortsense® 3000 Commercial 5-2 Day Programmable Thermostat	C0STAT05FF1L	11Y05
Thermostat wall mounting plate	C0MISC17AE1-	X2659
Temperature Sensor	Remote non-adjustable wall mount 10k averaging	C0SNZN73AE1-
Comfortsense® Non-Programmable Thermostat		C0STAT12AE1L
	Thermostat wall mounting plate	C0MISC17AE1-
Temperature Sensor	Outdoor temperature sensor	C0SNSR03AE1-
		47W37
		51M32
		X2659
		X2658

SPECIFICATIONS		LF25-125 to LF25-200			
Gas Heating Performance	Model No. - Stainless Steel	LF25-125S	LF25-150S	LF25-175S	LF25-200S
	Model No. - Aluminized Steel	LF25-125A	LF25-150A	LF25-175A	LF25-200A
	Heating Capacity Input - Btuh	125,000	150,000	175,000	200,000
	Heating Capacity Output Btuh - Natural	103,750	124,500	145,250	166,000
	Steady State Efficiency - Natural	83%	83%	83%	83%
	Temperature rise - °F	50	62	58	59
Connections	Flue size - in. (round)	4	4	1 5	1 5
	Gas Piping Size - in.	1/2	1/2	1/2	1/2
Fan Data	Number of fans	1	1	1	1
	Fan Diameter - in.	16	16	18	18
	Number of blades	4	4	5	5
	Motor Output - hp	1/5	1/5	1/3	1/3
	rpm	1075	1075	1075	1075
	Air Volume - cfm	1950	1950	2350	2650
Weight Data	Net Weight - lbs. (kg)	147 (67)	157 (71)	170 (77)	180 (82)
	Shipping Weight - lbs. (kg)	167 (76)	177 (80)	190 (86)	200 (91)
ELECTRICAL DATA					
	Voltage	115 volts - 60 hertz - 1 phase			
	Fan motor full load amps	5.0	5.0	7.0	7.0
	Maximum overcurrent protection	15	15	15	15
OPTIONAL ACCESSORIES - ORDER SEPARATELY					
Discharge Nozzle	30°	18K66	18K66	18K67	18K67
	45°	18K72	18K72	18K78	18K78
	60°	18K87	18K87	18K88	18K88
	90°	18K93	18K93	18K98	18K98

¹ 1-3/4 in. x 2-3/4 in. rectangular (unit) to 5 in. diameter (flue) adaptor is furnished with unit for flue connection.

SPECIFICATIONS

LF25-250 to LF25-400

Gas Heating Performance	Model No. - Stainless Steel	LF25-250S	LF25-300S	LF25-350S	LF25-400S
	Model No. - Aluminized Steel	LF25-250A	LF25-300A	LF25-350A	LF25-400A
	Heating Capacity Input - Btuh	250,000	300,000	350,000	400,000
	Heating Capacity Output Btuh - Natural	207,500	246,000	290,500	328,000
	Steady State Efficiency - Natural	83%	82%	83%	82%
	Temperature rise - °F	51	57	58	65
Connections	Flue size - in. (round)	¹ 5	¹ 5	² 6	² 6
	Gas Piping Size - in.	3/4	3/4	3/4	3/4
Fan Data	Number of fans	2	2	2	2
	Fan Diameter - in.	16	16	18	18
	Number of blades	4	4	5	5
	Motor Output - hp	(2) 1/5	(2) 1/5	(2) 1/3	(2) 1/3
	Amps (total)	3.0 (6.0)	3.0 (6.0)	3.9 (7.8)	3.9 (7.8)
	rpm	1075	1075	1075	1075
	Air Volume - cfm	3400	4000	4500	4750
Weight Data	Net Weight - lbs. (kg)	290 (132)	310 (141)	320 (145)	360 (163)
	Shipping Weight - lbs. (kg)	310 (141)	330 (197)	340 (154)	380 (172)

ELECTRICAL DATA

Voltage	115 volts - 60 hertz - 1 phase			
Fan motor full load amps	8.0	8.0	11.0	11.0
Maximum overcurrent protection	15	15	15	15

OPTIONAL ACCESSORIES - ORDER SEPARATELY

Discharge Nozzle	30°	45°	60°	90°
	18K68	18K81	18K89	18K99
	18K68	18K81	18K89	18K99
	18K70	18K83	18K91	18L06
	18K70	18K83	18K91	18L06

¹ 1-3/4 in. x 2-3/4 in. rectangular (unit) to 5 in. diameter (flue) adaptor is furnished with unit for flue connection.

² 1-3/4 in. x 2-3/4 in. rectangular (unit) to 6 in. diameter (flue) adaptor is furnished with unit for flue connection.

GAS HEAT ACCESSORIES

NATURAL GAS TO LPG/PROPANE AND ORIFICE KITS

US

Models	Gas Type	0-3000 ft.	3001-4000 ft.	4001-5000 ft.	5001-7000 ft.	7001-8000 ft.	8001-9000 ft.	9001-10,000 ft.
LF25-125-200	Natural	---	---	19A53	19A53	19A53	19A54	19A54
LF25-125-200	LPG/Propane	¹ 18L12	¹ 18L12	¹ 18L12	19A51	19A51	19A51	19A52
LF25-250-400	Natural	---	---	---	19A19	19A19	19A20	19A20
LF25-250-400	LPG/Propane	¹ 18L14	19A13	19A13	19A14	19A15	19A15	19A16

CANADA

Models	Gas Type	0-4500 ft.	4501-6500 ft.	6501-7500 ft.	7501-9500 ft.
LF25-125-200	Natural	---	---	19A53	19A53
LF25-125-200	LPG/Propane	¹ 18L12	¹ 18L12	¹ 18L12	19A51
LF25-250-400	Natural	---	---	---	19A19
LF25-250-400	LPG/Propane	¹ 18L14	19A13	19A13	19A14

¹ Natural Gas to LPG/Propane Conversion Kits. All others are High Altitude Orifice Kits.

GAS HEAT ACCESSORIES

HIGH ALTITUDE PRESSURE SWITCH KITS

Altitude - ft.	0-3000 ft.	3000-4000 ft.	4001-5000 ft.	5001-7000 ft.	7001-8000 ft.	8001-9000 ft.	9001-10,000 ft.
LF25-125	Factory	Factory	18L47	18L47	18L27	18L27	18L33
LF25-150	Factory	18L31	18L31	18L41	18L41	18L49	18L49
LF25-175	Factory	Factory	Factory	Factory	18L47	18L41	18L41
LF25-200	Factory	Factory	18L30	18L30	18L39	18L39	18L39
LF25-250	Factory	Factory	Factory	18L31	18L31	18L39	18L39
LF25-300	Factory	Factory	Factory	18L41	18L41	18L49	18L49
LF25-350	Factory	Factory	Factory	Factory	18L27	18L27	18L27
LF25-400	Factory	Factory	Factory	18L49	18L49	18L48	18L48

HORIZONTAL VENT KITS AND ELBOW

Unit Heater Model No.	Vent Diameter (in.)	Upslope Vent Kit	Catalog No.	Downslope Vent Kit	Catalog No.	45° Elbow	Catalog No.	90° Elbow	Catalog No.	¹ Minimum Vent Length (ft.)
LF25-125 LF25-150	4	C5VENT4KU	75W63	C5VENT4KD	75W67	C5VENT4E45 (Optional)	87W80	C5VENT4E (Optional)	75W71	5
LF25-175 LF25-200 LF25-250 LF25-300	5	C5VENT5KU	75W64	C5VENT5KD	75W68	C5VENT5E45 (Optional)	87W81	C5VENT5E (Required)	75W72	5
LF25-350 LF25-400	6	C5VENT6KU	75W65	C5VENT6KD	75W69	C5VENT6E45 (Optional)	87W82	C5VENT6E (Required)	75W73	5

¹ Length does not include termination (or elbow where applicable). NOTE - Elbow is required where shown to facilitate connection of horizontal vent kit to flue outlet.

STRAIGHT VENT PIPE - FOR HORIZONTAL VENTING

Unit Heater	Model No.	Vent Diameter (in.)	Length (in.)	Catalog No.
LF25-125 LF25-150	C5VENT4P6	4	6	75W77
	C5VENT4P12	4	12	75W78
	C5VENT4P36	4	36	75W79
LF25-175 LF25-200 LF25-250 LF25-300	C5VENT5P6	5	6	75W80
	C5VENT5P12	5	12	75W81
	C5VENT5P36	5	36	75W82
LF25-350 LF25-400	C5VENT6P12	6	12	75W83
	C5VENT6P36	6	36	75W84

THROW DATA

Model No.	¹ Effective Throw feet
LF25-125, LF25-150	50
LF25-175, LF25-200	60
LF25-250, LF25-300	70
LF25-350, LF25-400	80

NOTE - Adjustable horizontal louvers on unit allow a variation in throw and spread.

¹ Throw terminates where velocity reaches 50 ft. per minute.

¹ RECOMMENDED MOUNTING HEIGHT

Model No.	Feet
LF25-125, LF25-150	8-16
LF25-175, LF25-200	8-20
LF25-250, LF25-300	12-26
LF25-350, LF25-400	12-28

¹ Recommended maximum mounting height from floor to bottom of unit. At heights greater than shown air throw distance and air temperature at floor level is affected.

INSTALLATION CLEARANCES

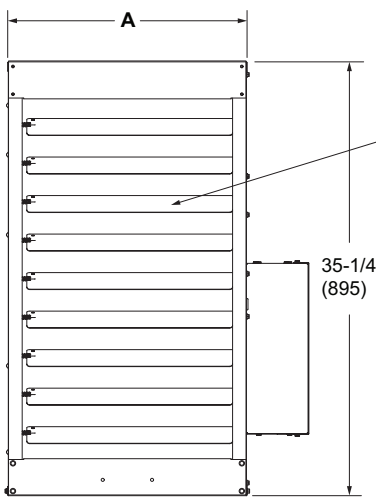
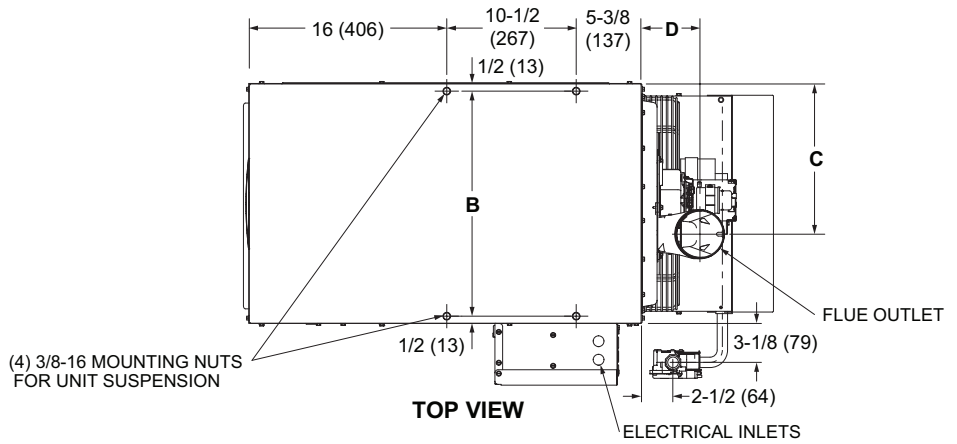
Top	6 inches	152 mm
Sides	18 inches	457 mm
Rear	18 inches	457 mm
Bottom	1 inch	25 mm
Flue	6 inches	152 mm

NOTE - Allow 24 in. (610 mm) for servicing and control box access on the control box side of the unit.

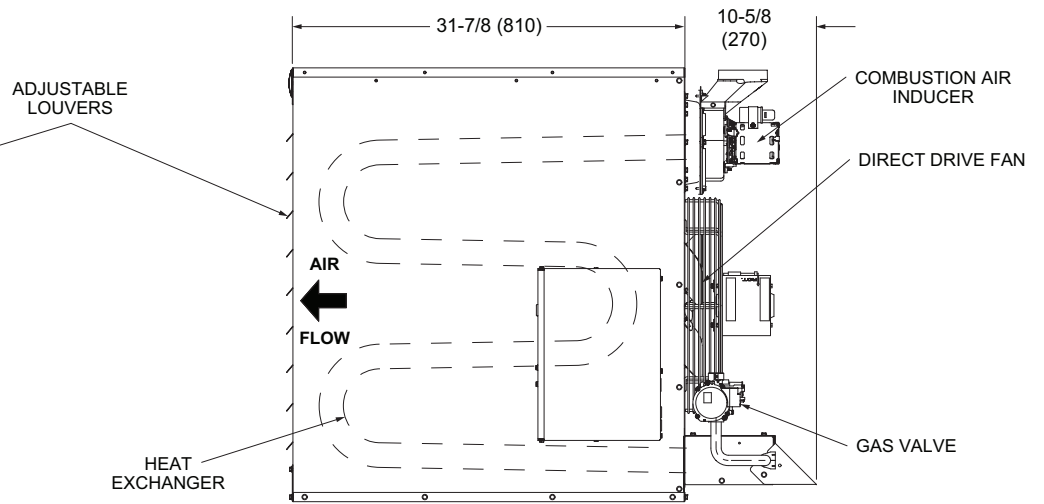
See Installation Instructions for further installation considerations.

MAXIMUM HORIZONTAL VENT LENGTHS

No. of Elbows	LF25-125, LF25-150, LF25-175, LF25-200, LF25-350, LF25-400	LF25-250, LF25-300
	Feet	Feet
1	25	35
2	20	30
3	15	25
4	10	20
5	5	15
6	- - -	10
7	- - -	5



FRONT VIEW

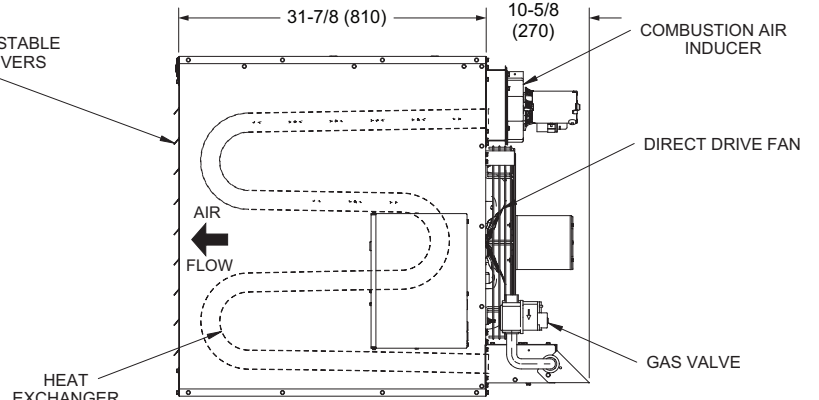
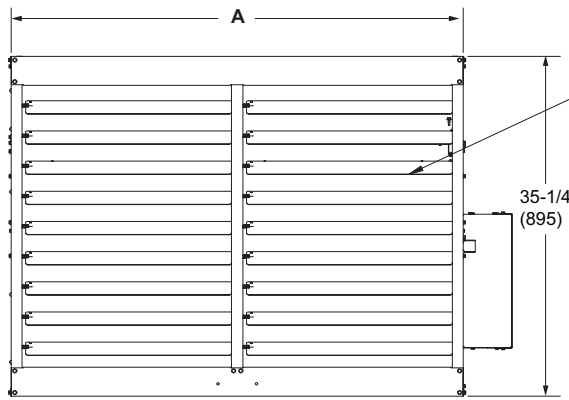
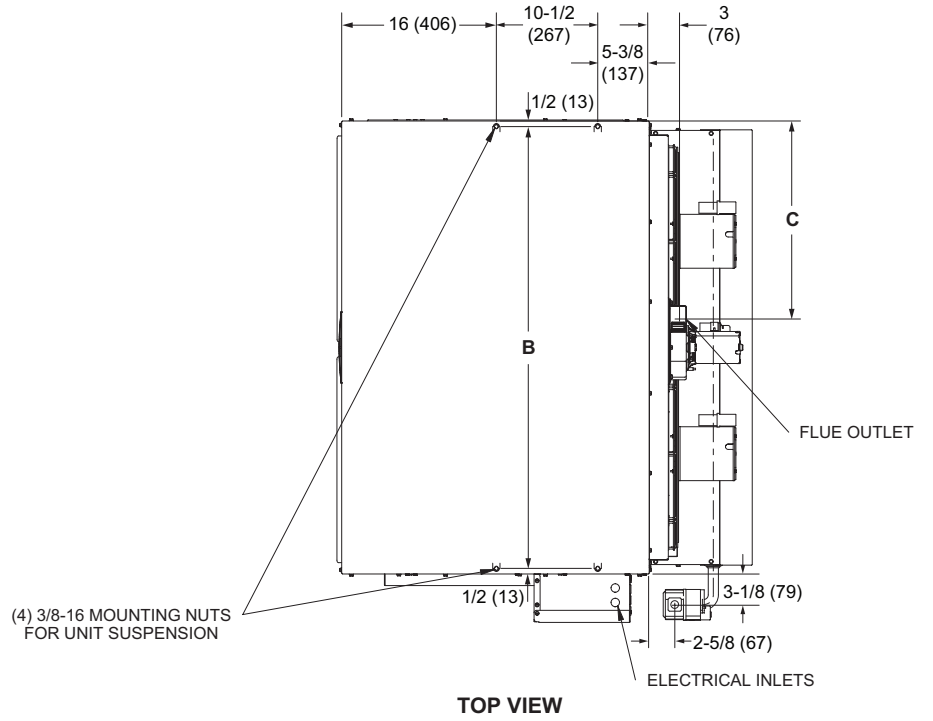


SIDE VIEW

Model No.	A		B		C		D	
	in.	mm	in.	mm	in.	mm	in.	mm
LF25-125 LF25-150	19-1/2	495	18-1/2	470	12-1/4	311	4-3/4	121
LF25-175 LF25-200	25	635	23-3/4	603	9-1/2	241	3	76

DIMENSIONS

LF25-250-300-350-400 (DUAL FANS)

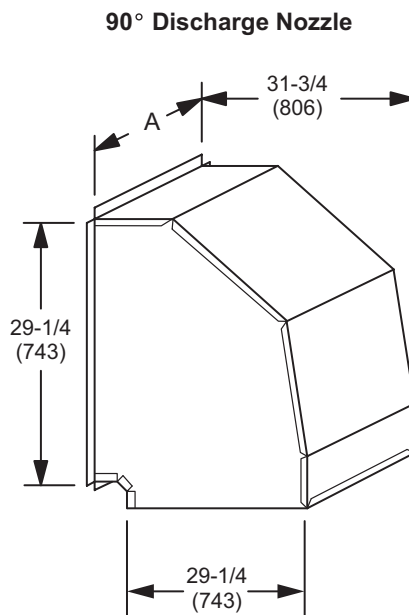
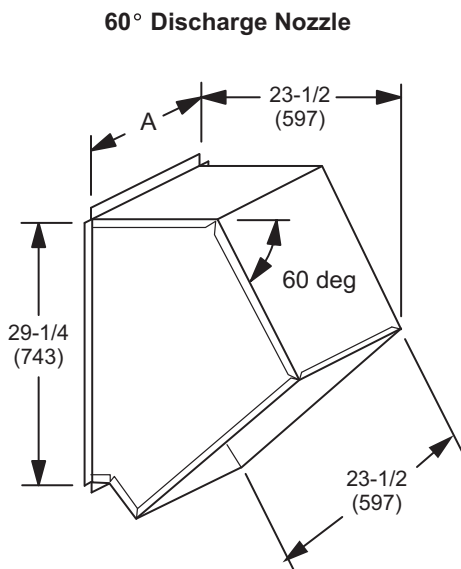
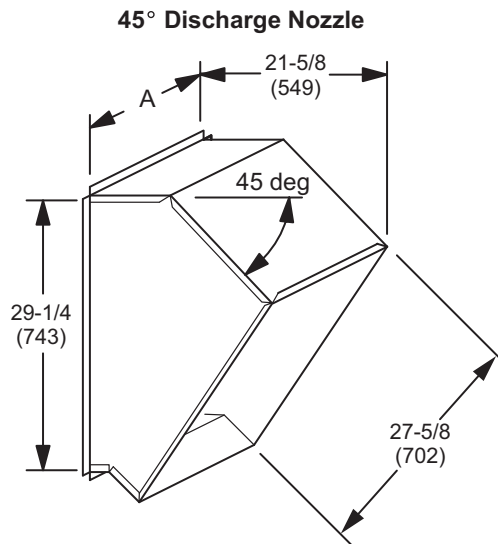
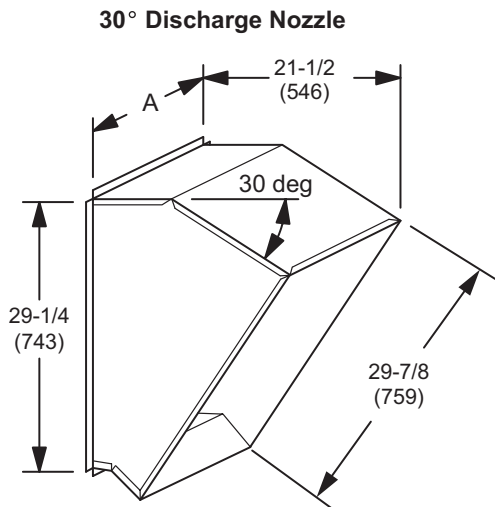


FRONT VIEW

SIDE VIEW

Model No.	A		B		C	
	in.	mm	in.	mm	in.	mm
LF25-250 LF25-300	37-5/8	956	36-1/2	927	15-7/8	403
LF25-350 LF25-400	47	1194	45-3/4	1162	20-1/2	521

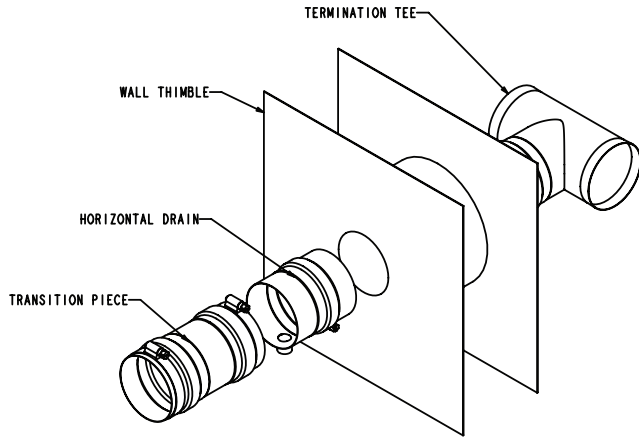
ACCESSORY DIMENSIONS



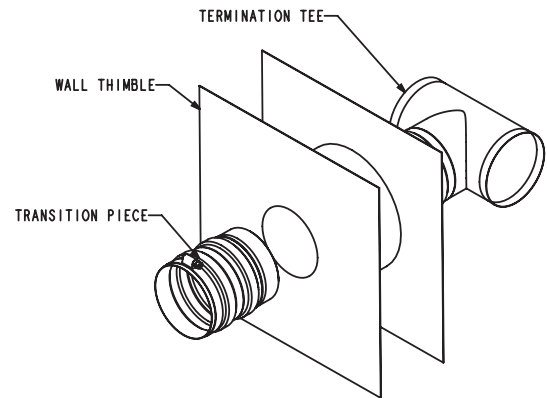
Model Usage	A	
	in.	mm
LF25-125 LF25-150	17-1/4	464
LF25-175 LF25-200	22-3/4	578
LF25-250 LF25-300	33-1/2	851
LF25-350 LF25-400	44-3/4	1137

VENT KITS AND ACCESSORIES

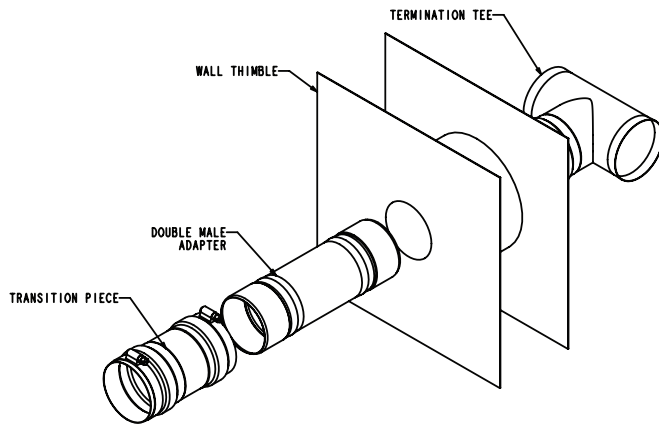
HORIZONTAL VENT KITS (UPSLOPE)



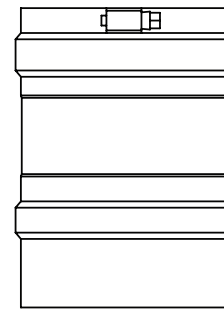
4 AND 6 INCH HORIZONTAL VENT KITS (DOWNSLOPE)



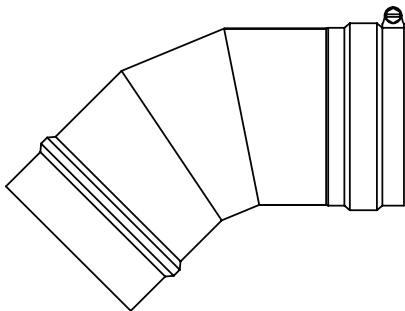
5 INCH HORIZONTAL VENT KIT (DOWNSLOPE)



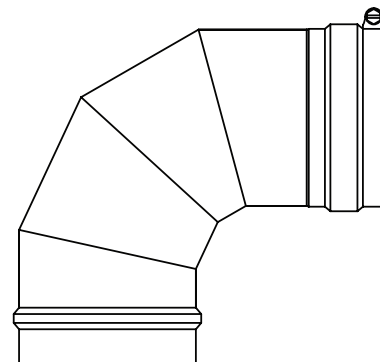
STRAIGHT PIPE (Typical)



45° ELBOW (Typical)



90° ELBOW (Typical)



REVISIONS

Sections	Description of Change
Specifications	LF25-350 and LF25-400 connections updated for furnished flue adaptor.



Visit us at www.lennox.com

For the latest technical information, www.lennoxcommercial.com

Contact us at 1-800-4-LENNOX

NOTE - Due to Lennox' ongoing commitment to quality, Specifications, Ratings and Dimensions subject to change without notice and without incurring liability. Improper installation, adjustment, alteration, service or maintenance can cause property damage or personal injury. Installation and service must be performed by a qualified installer and servicing agency.

©2019 Lennox Industries, Inc.