



Single Zone Ductless Air Conditioning Systems - R-410A - 60 Hz

**MCA**

Mini-Split

**RESIDENTIAL / COMMERCIAL  
PRODUCT SPECIFICATIONS**

Bulletin No. 210877  
August 2019  
Supersedes April 2019



**MWCA Wall-Mounted  
Ductless Indoor Unit**

**Wireless  
Remote Control  
(furnished with  
Wall-Mount Model)**

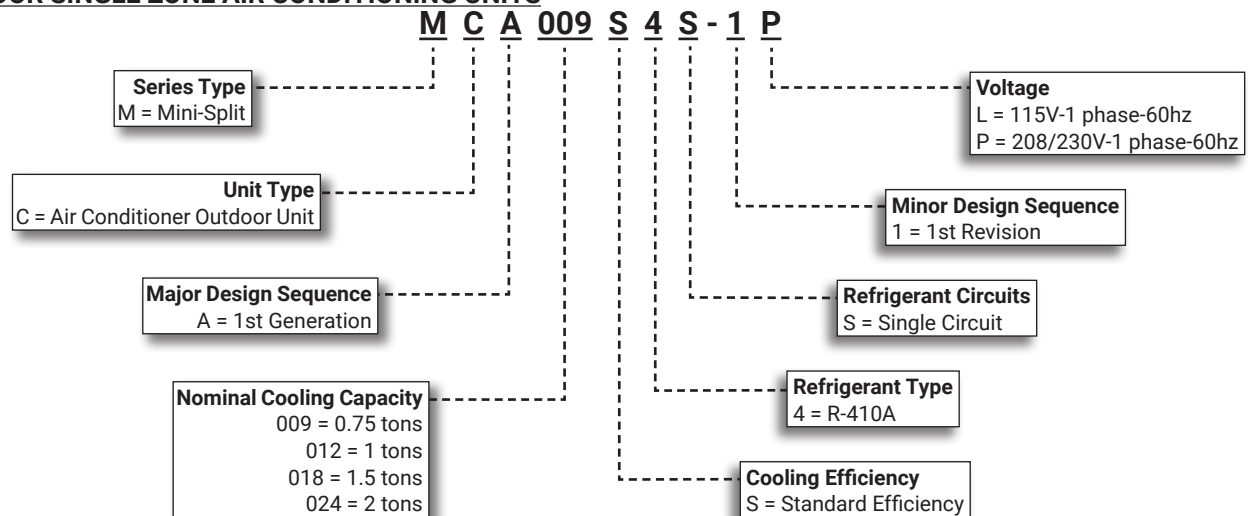


**MCA Outdoor Air  
Conditioning Unit**

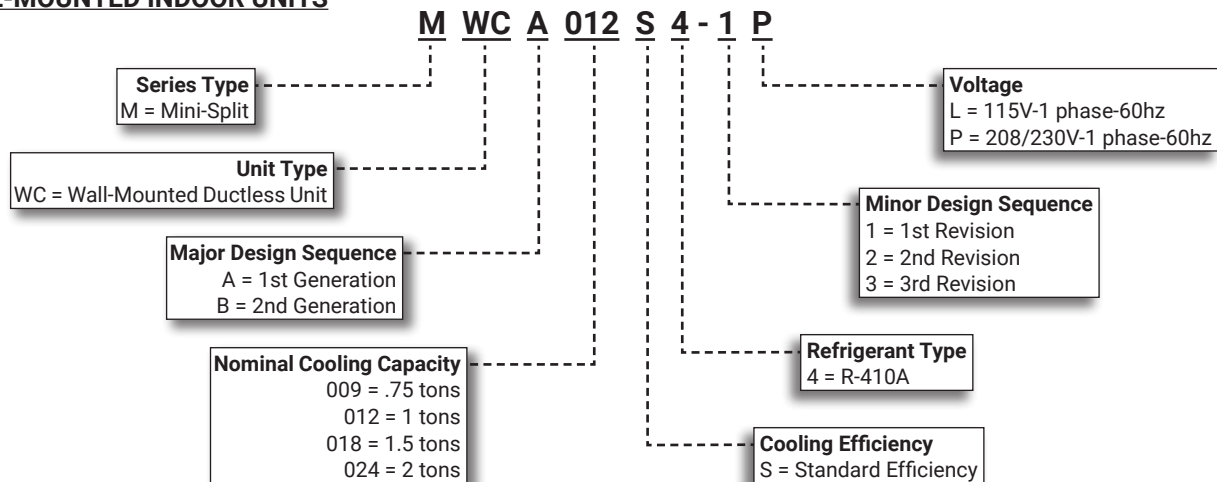
**SEER - Up to 20.00  
0.75 to 2 Tons  
Cooling Capacity - 9,000 to 22,000 Btuh**

## MODEL NUMBER IDENTIFICATION

### OUTDOOR SINGLE ZONE AIR CONDITIONING UNITS



### WALL-MOUNTED INDOOR UNITS



## CONTENTS

AHRI System Matches . . . . .	13
Air Throw Data. . . . .	19
Approvals And Warranty . . . . .	3
Cooling Capacity . . . . .	16
Dimensions - Outdoor Units . . . . .	20
Dimensions - Wall-Mounted Indoor Units. . . . .	21
Dimensions - Wall-Mounted Indoor Units - Wall Plates . . . . .	21
Features - Indoor Units . . . . .	5
Features - Outdoor Units . . . . .	3
Installation Clearances - Outdoor Units. . . . .	23
Installation Clearances - Wall-Mounted Indoor Units . . . . .	24
Line Set And Elevation Guidelines. . . . .	24
Model Number Identification. . . . .	2
Optional Accessories - Order Separately . . . . .	14
Sound Levels - Test Conditions . . . . .	15
Specifications - Outdoor Units. . . . .	12
Specifications - Wall-Mounted Indoor Units . . . . .	13

## APPROVALS AND WARRANTY

### APPROVALS

- AHRI Standard 210/240 certified with Addenda 1 and 2
- ENERGY STAR® certified (certain models)
- Rated According to U.S. Department of Energy (DOE) test procedures
- Indoor and outdoor units and components UL and CEC bonded for grounding to meet safety standards for servicing
- ETL certified for the U.S. and Canada
- Meets 2014 Florida Building Code Wind Design Criteria
  - Ultimate Wind Speed – 186 miles per hour
  - Risk Categories – III and IV
  - Wind Exposures – C and D
  - Mean Roof Heights – Up to 60 feet above ground

### WARRANTY

- Compressor - Limited five years
- All other covered components - Limited five years

**NOTE** - Refer to Lennox Equipment Limited Warranty certificate included with unit for specific details.

## FEATURES - OUTDOOR UNITS

### APPLICATIONS

- SEER - Up to 20.00
- 0.75 through 2 ton
- Single phase power supply
- 115V (012 model only)
- 208/230V (all models)
- Outdoor unit sound levels as low as 51 dBA
- Indoor unit sound levels as low as 24.5 dBA
- Ductless mini-split systems provide a wide range of capacities and applications and provide an alternative when a ducted system is impractical or cost prohibitive
- Units shipped completely factory assembled, internally piped, and wired.

**NOTE** - Outdoor unit is designed for outdoor use.

### REFRIGERATION SYSTEM

#### R-410A Refrigerant

- Non-chlorine, ozone friendly
- Unit is factory pre-charged

#### Outdoor Coil

- Aluminum fins fitted to copper tubes
- Wire grille guard provided

#### Outdoor Fan

- Direct drive fan moves large air volumes uniformly through entire outdoor coil for high refrigeration capacity
- Fan guard provided

#### Refrigerant Line Connections, Service Valve

- Flare connection lines are located on side of unit cabinet
- Fully serviceable brass service valve prevents corrosion and provides access to refrigerant system

### COMPRESSOR

#### Variable Frequency Rotary Compressor

- Compressor features high efficiency operation
- Balanced for reduced vibration and quiet operation
- Brushless DC motor uses powerful Neodymium magnets, which are approximately 15-20 times stronger than ferrite magnets used in conventional AC compressors

#### Compressor Crankcase Heater

- Protects against liquid refrigerant migration that can occur during low ambient operation

### CONTROLS

#### DC Inverter Control

- Provides continuous operation, while adjusting capacity according to room temperature
- The accurate sensing of cooling loads prevents frequent changes in capacity and ensures efficient, economical operation

#### Inverter Module Protection

- Protects against differences in current, voltage and temperature
- Displays code on the indoor unit indicating a need for servicing

#### Outdoor Unit Microprocessor

- Electronic expansion valve control
- Automatic compressor timed-off protection (3 minutes)
- Temperature sensor
- LEDs on control display error codes and assist in troubleshooting

## FEATURES - OUTDOOR UNITS

### **CONTROLS (continued)**

#### **Capillary Tube Refrigerant Metering**

- Refrigerant metering device consisting of small diameter tubes feeding liquid refrigerant into the evaporator coil
- Furnished on all units

#### **Compressor Overcurrent Protection**

- Overcurrent protection can result due to any of the following:
  - Ambient temperature is too high
  - Locked rotor on the compressor
  - Outdoor air is blocked or restricted

#### **Condenser High Temperature Protection**

- Condenser high temperature can occur due to any of the following conditions:
  - High outdoor ambient
  - Outdoor fan blocked
  - Outdoor coil blocked
- The outdoor coil thermistor continuously monitors the temperature and communicates with the microprocessor
- Depending on the temperature measured, the compressor will be allowed to increase the frequency if needed to meet the load or is forced to run at the current or reduced frequency
- If the temperature becomes excessively high the compressor will be de-energized

#### **Compressor Discharge Temperature Protection**

- The compressor discharge line thermistor continuously monitors the temperature and communicates with the microprocessor
- Depending on the temperature measured, the compressor will be allowed to increase the frequency to meet the load or is forced to run at the current or reduced frequency
- If the temperature becomes excessively high, the compressor will be de-energized

#### **Voltage Protection**

- Protects unit from low or high voltage fluctuations

#### **Terminal Strip**

- Furnished for easy wiring connections

### **CABINET**

- Constructed of heavy gauge steel
- Tabs on unit base allow secure mounting to slab
- Condensate drain outlets furnished on unit base

**NOTE** - Drain must be field furnished.

- Access cover for power and control wiring connections
- Access cover for service valves

## FEATURES - INDOOR UNITS

### WALL-MOUNTED INDOOR UNITS



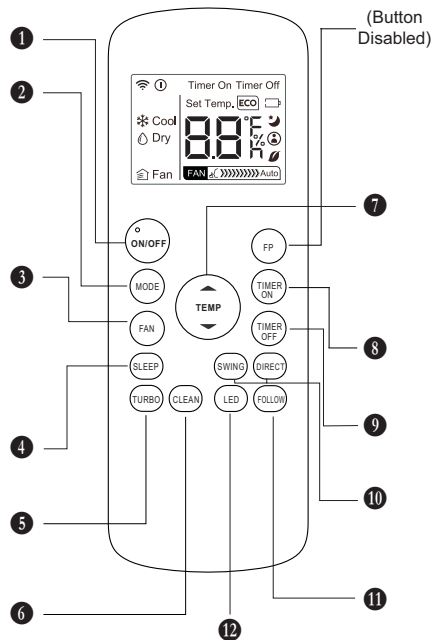
- Low-sound, three-speed Wall Mount with LED display offers three access points for refrigerant outlet pipes: left, right or rear
- The front panel can be raised for accessible wiring and maintenance
- Swing louver angles to 90°
- Unit installs horizontally on a vertical wall
- **LED Readout** - Mounted on unit. LED displays unit operation status, and codes for maintenance and servicing
- **Auto Restart** - Automatically restores the previous function setting if power is interrupted
- **Cooling Override** - Button on the indoor unit allows a temporary 30 minute override of the system for forced "AUTO" or "COOLING" operation
- **Flare Connections** - Equipped with liquid and gas flare fittings for quick and secure piping
- **Multi-Refrigerant Outlet** - Allows left, right, or rear access for refrigeration line connection
- **Three Speed Fan** - Fan functions at three speeds: low, medium and high
- **Air Filter** - Cleanable air filter is furnished as standard

## ACCESSORIES (FURNISHED)

### WIRELESS REMOTE CONTROLLER

#### Furnished with Indoor Unit.

- Complete remote control of system
- Maximum operating range is 25 ft.
- Operates on two AAA 1.5V batteries (furnished)
- Wireless remote controller holder furnished
- Holder can be mounted on a wall for easy access
- Mounting screws furnished



- 1 ON/OFF Button**
  - Turns system on and off
- 2 MODE Button**
  - Select system operation modes. Push button to cycle through each setting
- 3 FAN Button**
  - Select fan speed. Push button to cycle through each setting

COOL → DRY → FAN

AUTO → LOW → MED → HIGH

**NOTE** - Hold button for 2 seconds to activate Silence function. Operates the compressor at low frequency and low fan speed to reduce operating sound levels to a minimum. Hold FAN button for 2 seconds to cancel.
- 4 SLEEP Button**
  - Enables the system to automatically increase cooling (in 2°F increments) per hour for the first 2 hours, then maintain a steady temperature for 5 hours
  - System shuts off after 7 total hours of operation

**NOTE** - To cancel, push the "MODE", "FAN SPEED" or "ON/OFF" buttons.

**NOTE** - SLEEP mode is only available when the unit is in COOL mode.

- 5 TURBO Button**
  - Enables the unit to reach the preset temperature during cooling operation in the shortest time.
- 6 CLEAN Button**
  - Automatically cleans and dries the evaporator coil at the end of the cooling season, preventing any odors or mildew.

**NOTE** - CLEAN mode is only available in COOL or DRY mode.
- 7 UP/DOWN Buttons ▲ ▼**
  - Increase or decrease the indoor temperature in one degree increments (maximum 86°F, minimum 62°F).

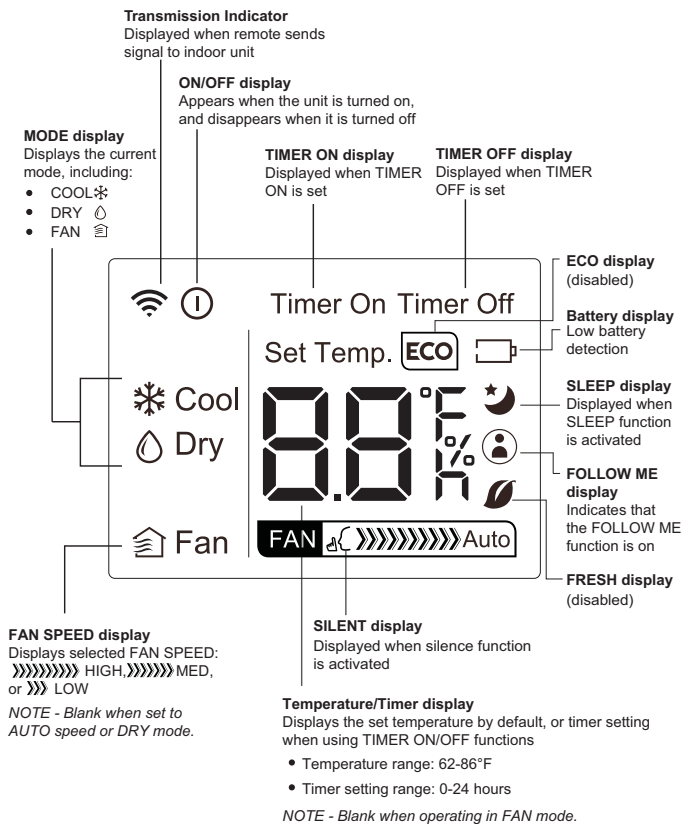
**NOTE** - Temperature cannot be adjusted in FAN mode.

**NOTE** - Press and hold and buttons together for 3 seconds to alternate the temperature display between the °F and °C scale.
- 8 TIMER ON / TIMER OFF Buttons**
  - TIMER ON (initiates an auto-on time sequence)
  - TIMER OFF (initiates an auto-off time sequence)
  - Can be used separately or together
  - Each press of the button increases the time in 30 minute increments up to 10 hours
  - Above 10 hours each press of the button will increase the auto-timed setting by 60 minutes up to 24 hours

**NOTE** - To cancel, set timer to 0.0 or turn remote off and on.
- 9 SWING Button**
  - Used to start or stop horizontal (up/down) louver auto-swing feature
- 10 DIRECT Button**
  - Used to change the louver movement and set the desired up/down air flow direction
  - The louver angle changes 6° for each press of the button
- 11 FOLLOW Button**
  - Allows remote temperature sensing of the room at the remote controller location
- 12 LED Button**
  - Turns the LCD display backlight on the indoor unit on or off

## ACCESSORIES (FURNISHED)

### WIRELESS REMOTE CONTROLLER OPERATION



#### Cooling Operation

1. Press the **MODE** button to select **COOL** mode.
2. Press the **ON/OFF** button to start the air conditioner.

#### DRY (Dehumidifying) Operation

1. Press the **MODE** button to select **DRY** mode.
2. Press the **UP/DOWN** buttons to set the desired temperature.
3. Press the **ON/OFF** button to start the air conditioner.

**NOTE** - Fan speed cannot be changed in DRY mode.

#### Fan Operation

1. Press the **MODE** button to select **FAN** mode.
2. Press the **FAN** button to select the fan speed in four steps- Auto, Low, Med, or High.
3. Press the **ON/OFF** button to start the air conditioner.

**NOTE** - Temperature settings are disabled during fan only operation.

#### Timer ON/OFF Operation

1. Press the **TIMER ON** or **TIMER OFF** button. The remote controller shows **TIMER ON** or **TIMER OFF**, the previous Auto-on time setting and the signal "h" (indicating hours) will be shown on the LCD display area.
2. Push the **TIMER ON** or **TIMER OFF** button again to set desired time. Each time you press the button, the time increases by 30 minutes between 0 and 10 hours and by 60 minutes between 10 and 24 hours.
3. After setting the **TIMER ON** or **TIMER OFF** there will be a one second delay before the remote controller transmits the signal to the unit. After approximately 2 seconds, the signal "h" (indicating hours) will disappear and the set temperature will re-appear on the LCD display window.

## OPTIONAL ACCESSORIES - ORDER SEPARATELY

### WIRED PROGRAMMABLE CONTROLLER

M0STAT64Q-1



- Wired programmable local controller for mini-split indoor units with convenient timed schedules for daily operation
- Up to 8 events per day
- Schedule start time, mode, setpoint, and fan speed
- Compatible with all indoor units
- Copy/paste function for easy duplication of events to other days
- Built-in system diagnostics
- Large, back-lit, easy-to-read LCD screen with digital display

### BUTTONS AND FUNCTIONS

#### POWER Button

- Turn system on and off

#### FAN SPEED Button

- Scroll through fan speeds (Auto - Low - Med - High)

#### MODE Button

- Use + and – buttons to scroll through available operation modes (Auto / Cool / Dry / Fan / Heat)

**NOTE** - HEAT and AUTO modes are not available on air conditioner models.

#### PLUS (+) and MINUS (-) Buttons

- Setpoint adjustment (62-86°F)
- Select days of the week when setting a schedule
- Select mode of operation

#### SWING Button

- Stop or start horizontal (up/down) louver auto swing
- Controls swing oscillation and louver angle in 6° increments

#### TIMER Button

- Sets current time of day (24 hour clock)
- Setup weekly schedules or to setup timed operation for the indoor unit
- Stop/Stop timed operation

#### DAY OFF / DEL Button

- Disable specific days/schedules of the week
- Delete a specific event

#### CONFIRM Button

- Confirms each step when managing schedules

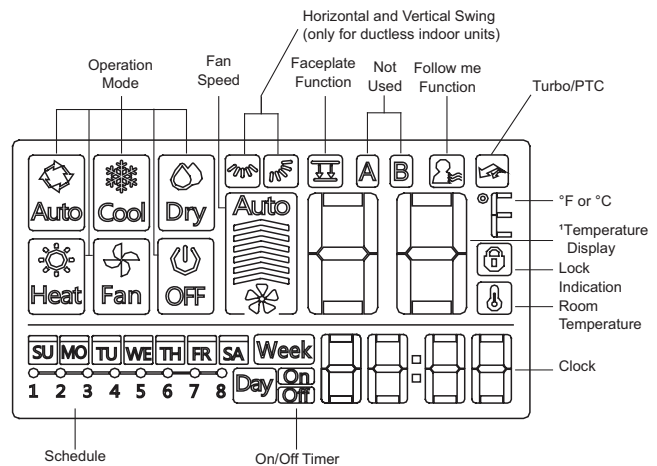
#### BACK/TURBO Button

- Turbo sets indoor unit fan speed to high for a factory-set time period

#### COPY/FOLLOW ME Button

- Toggles between room temperature sensing from the indoor unit or the controller

### DISPLAY



- Audible tone when a button is pressed (can be disabled)
- Lock function disables buttons to prevent tampering
- Controller uses 4-wire shielded 20 ft. (6 m) cable (furnished) for easy low voltage connection to the indoor unit
- Adaptor cables are furnished for various indoor unit connections

**NOTE** - Cable for longer lengths must be ordered separately.

**NOTE** - Maximum cable length is 164 ft. (50 m).

- Hardware for mounting furnished
- Mounts to standard electrical junction box (not furnished)
- Lithium battery furnished
- Power Supply: 5 VDC
- Dimensions (H x W x D): 4-7/8 x 4-3/4 x 3/4 in. (124 x 121 x 19 mm)

### OPTIONAL ACCESSORIES

#### Extension Cable for Wired Programmable Controller

- 20 ft. cable for easy low voltage connection to the indoor unit
- Extends cable to 40 ft. (12 m) length



## OPTIONAL ACCESORIES - ORDER SEPARATELY

### WIRED NON-PROGRAMMABLE CONTROLLER

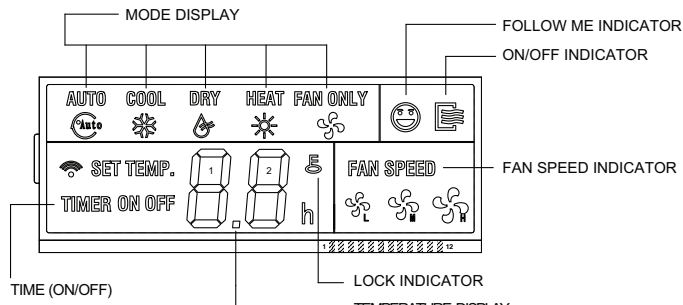
M0STAT61Q-1



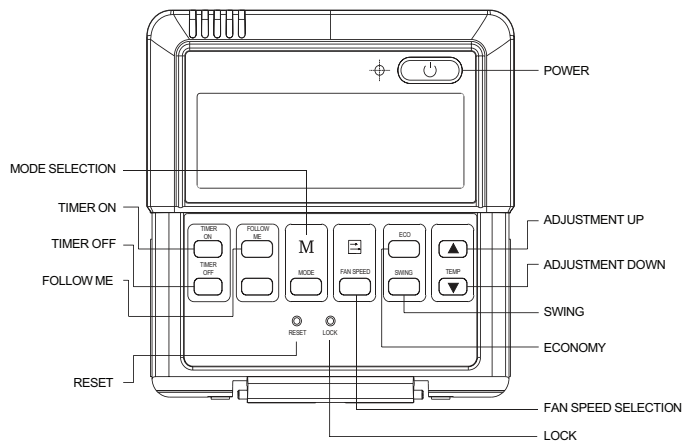
- Permanent Memory - Maintains clock, fan speed and mode of operation settings following power outages
- Dimensions (H x W x D) - 4-3/4 x 4-3/4 x 7/8 in.
- Additional hardware is furnished for installation
- Controller uses 5-wire shielded 20 ft. (6 m) cable (furnished) for easy low voltage connection to the indoor unit

**NOTE** - Maximum cable length is 40 ft. (12 m).

#### DISPLAY



#### BUTTONS AND FUNCTIONS



#### MODE Button

- Select system operation modes. Push button to cycle through each setting

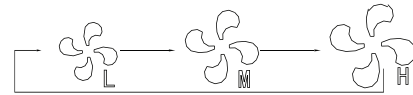


#### POWER Button

- Turns system on and off

#### Fan Speed Button

- Selects fan speed. Each button press cycles through the following settings on display



**NOTE** - Not available in AUTO mode.

#### TIMER ON / TIMER OFF Buttons

- TIMER ON (initiates an auto-on time sequence)
- TIMER OFF (initiates an auto-off time sequence)
- Can be used separately or together
- Each press of the button increases the time in 30 minute increments up to 10 hours
- Above 10 hours each press of the button will increase the auto-timed setting by 60 minutes up to 24 hours

**NOTE** - To cancel, set timer to 0.0.

#### UP / DOWN Buttons ▲ ▼

- Increase or decrease the indoor temperature in two degree increments (maximum 88°F, minimum 62°F)

**NOTE** - Temperature cannot be adjusted in FAN mode.

**NOTE** - Press and hold and buttons together for 3 seconds to alternate the temperature display between the °C and °F scale.

#### SWING Button

- Used to stop or start horizontal louver auto swing feature

#### ECONOMY Button

- Maintains the most comfortable temperature and saves energy

#### RESET Button (Recessed)

- Resets Controller to factory settings. Recessed to prevent tampering.

#### LOCK Button (Recessed)

- Locks Controller buttons to prevent tampering with settings.

## OPTIONAL ACCESSORIES

#### Extension Cable for Wired Remote Controller

- 20 ft. cable for easy low voltage connection to the indoor unit
- Extends cable to maximum 40 ft. (12 m) length

## OPTIONAL ACCESORIES - ORDER SEPARATELY

### OUTDOOR UNITS

#### Condenser Pad

- Provides permanent foundation for outdoor units
- One-piece lightweight structural foam and molded from high-density polyethylene (HDPE)
- Lightweight, easy to carry and install
- Textured finish provides a non-skid surface so outdoor unit sits securely in one place
- UV stable

#### Disconnects

- Positive unit disconnect
- Single door enclosure
- Fused and non-fused models available

#### Fuses

- 30 and 60 amp fuses available

#### Hail Guards

- Protects outdoor coils on all sides without inhibiting airflow or performance
- Self-tapping screws provided for installation
- Flat shape allows for outdoor units to be placed close together
- Each kit contains all required guards
- Order one hail guard kit per outdoor unit module

#### Indoor/Outdoor Wiring Cable

- 14-gauge, 4-conductor wire
- THHN (Thermoplastic High Heat-resistant Nylon-coated) wire
- Suitable for wet or dry locations
- Rated up to 600V

#### Refrigerant Line Sets

- Refrigerant lines are shipped refrigeration clean
- Lines are cleaned, dried, pressurized and sealed at factory

#### Wall Brackets

- Heavy duty 1/8 in. thick steel brackets for supporting outdoor units
- Mount at any height to allow for easy maintenance under units
- Pre-punched holes for easy installation
- Powder coated gray finish
- Load rating 600 lbs. per pair

#### Whips

- Heavy duty electrical whips are available in 8 and 10 gauge sizes
- 6 ft. lengths
- Weatherproof metal conduit

### INDOOR UNITS

#### Condensate Pumps

- Quietly and efficiently removes condensate
- See Optional Accessories Table for available pumps

#### A/C Easy Tee® Condensate Cleanout

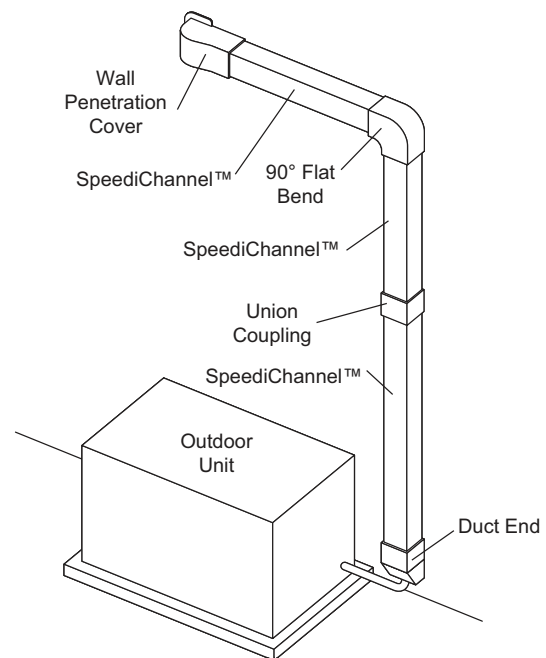
- Condensate drain service port
- Flexible and easy to use with nitrogen, water or shop vac
- Screw cap on top allows easy access to condensate drain line

### SPEEDICHANNEL™ SYSTEM



- SpeediChannel™ is a channel system covers system line sets
- Two-part system has a base and a cover
- Base is fastened to a wall or ceiling with plastic clips (SpeediClip™) that snap into a channel already molded into the base
- Cover fits on top of the base
- Manufactured from rigid PVC, which is UL rated and resistant to UV light
- System is a natural color that closely matches typical mini-split outdoor units
- Can be painted as desired to match any wall color

#### Typical Application



## OPTIONAL ACCESORIES - ORDER SEPARATELY

### **SPEEDICHANNEL™ SYSTEM (continued)**

#### **SpeediChannel™ Starter Kit**

- The starter kit includes (1) Coupling, (1) Wall Penetration, (1) Inside Elbow, (1) Long Radius Flat Bend, (10) Speediclips™, (10) 11 in. Cable Ties, and (1) SpeediChannel Instruction Booklet

#### **Duct End**

- Duct Ends are used to terminate a run of SpeediChannel™ to a small opening just large enough for the line set and condensate drain line to pass through



#### **Flat Wall Escutcheon**

- Flat Wall Escutcheons are used to cover a rough opening in a soffit, wall, or ceiling penetration



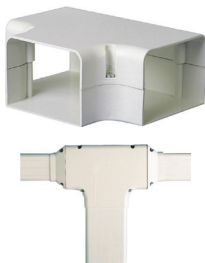
- One side of the escutcheon is flat to allow for a SpeediChannel™ to run along a wall and to penetrate through an adjacent wall or ceiling
- This is the most common type of wall penetration
- Furnished in two parts, the escutcheon easily snaps onto the SpeediChannel™

#### **Flex Joint**

- A Flex Joint is an accordion-style piece of SpeediChannel™
- The flex joint can be extremely flexible when routing a SpeediChannel™ system around an obstacle
- Each joint is 20 in. long and can be combined together for longer flex runs
- The flex joint does not require the use of a union coupling
- The flex joint slides tightly inside the SpeediChannel™ system

#### **T-Joint**

- T-Joints are used for creating a tee connection between three pieces of SpeediChannel™
- Each tee is individually packed and furnished with stainless steel screws



#### **Union Coupling**

- Union Couplings are used for joining two pieces of SpeediChannel™
- Each coupling is individually packed and furnished with stainless steel screws



#### **Wall Penetration Cover**

- Wall penetration covers are used to transition from the SpeediChannel™ system to a through wall penetration
- Wall covers are designed to allow for easy installation, even after the line set has been installed
- A hooking and fastening arrangement allows for quick installation
- Each wall cover is individually packed, and furnished with stainless steel screws to attach the wall cover to the base
- Three screws are necessary to fasten the wall cover to the wall construction, regardless of the type of installed system



#### **45° and 90° Flat Bend Elbows**

- 45° Flat Bends are used to route the SpeediChannel™ around obstacles
- Each bend is individually packed and furnished with stainless steel screws



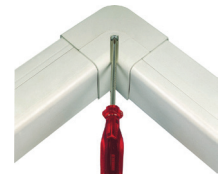
45°



90°

#### **90° Inside Elbow**

- 90° Inside Elbows are used to route the SpeediChannel™ around an inside corner
- Each elbow is individually packed and furnished with stainless steel screws



#### **Mount Block White Qty. (2) 14 in. and (2) 36 in.**

- Mount Blocks are used as mounting bases when outdoor units must be bolted down
- End caps (for aesthetics) come furnished with mounting bolts
- Maximum load capacity is 900 pounds per mounting block
- Installation temperatures range from -4°F to 140°F
- Mount blocks fit all mini-split outdoor units with a sliding rail feature



## SPECIFICATIONS - OUTDOOR UNITS

Outdoor Unit Model No.	MCA009S4S	MCA012S4S	MCA018S4S	MCA024S4S	
Nominal Size - Tons	0.75	1	1.5	2	
Ambient Temperature Operating Range - °F	5 - 122	5 - 122	5 - 122	5 - 122	
Energy Star	No	No	No	No	
Sound Data (dBA)	51	51.5	53.5	57	
Refrigerant (R-410A)	Charge furnished (115V)	---	1 lb. 5 oz.	---	
	Charge furnished (208/230V)	1 lb. 2 oz.	1 lb. 3 oz.	2 lbs. 0 oz.	
	Maximum line length with furnished charge - ft.	20	20	20	
	Additional charge required per ft. - oz.	0.16	0.16	0.16	
Compressor	No. and Type	(1) Rotary	(1) Rotary	(1) Rotary	
	Refrigerant oil type	VG74	VG74	VG74	
	Refrigerant oil charge - oz.	5.7	12.5 (115V) 5.7 (208/230V)	14.9	
Connections - in.	Liquid/Gas pipe (flare)	1/4 / 3/8	1/4 / 1/2	1/4 / 1/2	
	Maximum refrigerant pipe length - ft.	82	82	98	
	Max. difference in level of indoor unit - ft.	33	33	66	
Outdoor Fan	(No.) Diameter - in.	(1) 16-3/4	(1) 16-3/4	(1) 16-3/4	
	Total air volume - cfm	1230	1175 (115V) 1230 (208/230V)	1195	
	rpm	850/700	850/700	850/700	
Outdoor Coil	Number of rows	1	1	2	
	Fins per inch	21	21	21	
	Fin type	Hydrophilic aluminium			
	Tube outside diameter - in.	1/4	1/4	1/4	
	Tube type	Rifled copper tubing			
	Net face area - ft. <sup>2</sup>	4.15	4.15	4.15	
	Application area - ft. <sup>2</sup>	130 - 195	170 - 250 (115V) 160 - 240 (208/230V)	250 - 355	
Design Pressure	PSIG	550/340	550/340	550/340	
Shipping Data	Net/Shipping weight (lbs.) (115V)	---	63 / 68	---	
	(208/230V)	54 / 59	55 / 60	66 / 73	
<b>ELECTRICAL DATA</b>					
Electrical Characteristics - 60 Hz - 1 Phase	208/230V	115V	208/230V	208/230V	
<sup>1</sup> Maximum Overcurrent Protection (amps)	15	20	15	20	
<sup>2</sup> Minimum circuit ampacity	10	15	11	15	
Compressor Rated load amps	6.2	9.5	6.8	9.0	
Outdoor Fan Motor	Rated load amps	0.4	0.6	0.5	
	Output - W	58	58	58	

NOTE - Extremes of operating range are plus and minus 10% of line voltage.

<sup>1</sup> HACR type circuit breaker or fuse.

<sup>2</sup> Refer to National or Canadian Electrical Code manual to determine wire, fuse and disconnect size requirements.

## SPECIFICATIONS - WALL-MOUNTED INDOOR UNITS

Indoor Unit Model No.	MWCA009S4	MWCA012S4		MWCA018S4	MWCA024S4
Nominal Size - Tons	0.75	1		1.5	2
Power Supply - 60 hz - 1 phase	208/230V	115V	208/230V	208/230V	208/230V
Rated load amps	0.22	0.43	0.22	0.40	0.40
Output (W)	47.4	46	47.4	36	89
Room Temperature Range (°F) Cooling	62 - 90	62 - 90	62 - 90	62 - 90	62 - 90
Air Volume - cfm (High/Medium/Low)	241/206/147	235/206/147	241/194/206	530/441/353	581/456/331
Sound Data (dBA) - Low/Medium/High	26.5/32/38	24.5/33/38.5	24.5/34.5/37.5	30.5/34.5/42	34/40.5/46
Piping Connections - Liquid/Gas - o.d. - flare - in.	1/4 / 3/8	1/4 / 1/2	1/4 / 1/2	1/4 / 1/2	3/8 / 5/8
Drain connection o.d. - in.	1	1	1	1	1
Net/Shipping weights - lbs.	17 / 22	19 / 25	18 / 24	26 / 31	32 / 40

## AHRI SYSTEM MATCHES

Indoor Unit Type	Outdoor Unit	Indoor Unit	Cooling Capacity	SEER	EER	AHRI Reference
Wall-Mounted Ductless	MCA009S4S-1P	MWCA009S4-1P	9,000	19.00	11.10	202515503
	MCA012S4S-1L	MWCA012S4-1L	12,000	16.50	10.00	202515502
	MCA012S4S-1P	MWCA012S4-1P	11,500	19.00	11.10	202515504
	MCA018S4S-1P	MWCA018S4-1P	17,000	20.00	10.80	202515505
	MCA024S4S-1P	MWCA024S4-1P	22,000	19.00	10.90	202515506

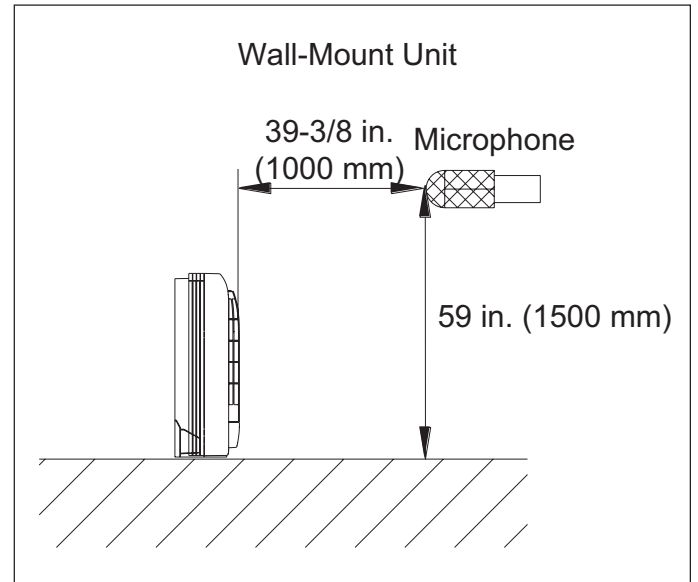
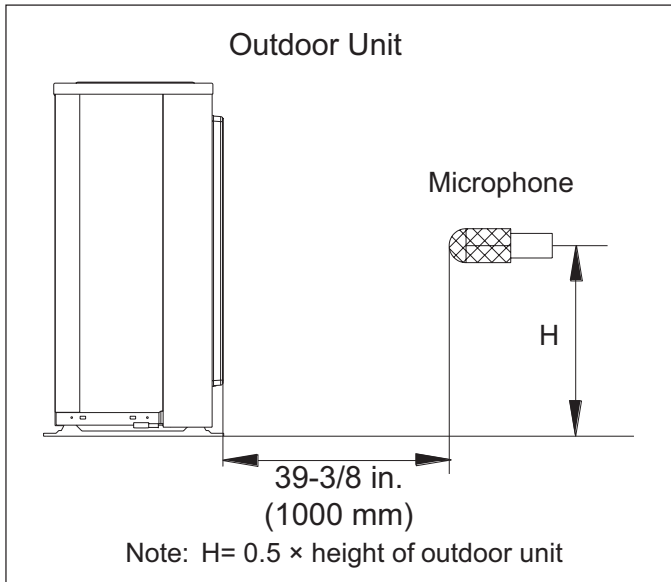
Ratings are AHRI certified to AHRI Standard 210/240 with Addenda 1 and 2 (with 25 ft. of connecting refrigerant lines); 95°F outdoor air temperature, 80°F db / 67°F wb entering evaporator air.

## OPTIONAL ACCESSORIES - ORDER SEPARATELY

Description	Catalog No.	Size			
		09	12	18	24
<b>OUTDOOR UNIT</b>					
Condenser Pad (18 x 38 x 3)	<b>Y5014</b>	•	•	•	•
Disconnects	30 amp, fused, 1 ph	<b>27P37</b>	•	•	•
	60 amp, non-fused, 1 ph	<b>27P39</b>	•	•	•
Fuses	30A	<b>83P75</b>	•	•	•
	60A	<b>83P77</b>	•	•	•
Hail Guards	M9GARD14Q-1	<b>15D25</b>	N/A	•	N/A
	M9GARD19Q-1	<b>15D32</b>	•	N/A	
	M9GARD15Q-1	<b>15D26</b>	N/A		•
	M9GARD17Q-1	<b>15D28</b>	N/A		•
Line Sets	1/4 in. x 3/8 in. x 25 ft.	<b>90X53</b>	•	N/A	
	1/4 in. x 3/8 in. x 50 ft.	<b>X0258</b>	•	N/A	
	1/4 in. x 1/2 in. x 25 ft.	<b>90X52</b>	N/A	•	•
	1/4 in. x 1/2 in. x 50 ft.	<b>X0259</b>	N/A	•	•
	3/8 in. x 5/8 in. x 25 ft.	<b>X8406</b>	N/A		•
	3/8 in. x 5/8 in. x 50 ft.	<b>X8407</b>	N/A		•
Wall Brackets	30 inch	<b>X1727</b>	•	•	•
Whips	10 Gauge - 1/2 in. x 6 ft.	<b>29P54</b>	•	•	•
	8 Gauge - 3/4 in. x 6 ft.	<b>27P44</b>	•	•	•
<b>INDOOR UNIT</b>					
<sup>1</sup> Diversitech Condensate Pumps with Reservoir	ClearVue Mini™ - 7.9 US gallons per hour, 35 ft. lift - 120/240V	<b>Y5170</b>	•	•	•
	Mini-Split Pump - 4 US gallons per hour, 20 ft. lift - 115V	<b>Y7946</b>	N/A	•	N/A
	Mini-Split Pump - 4 US gallons per hour, 20 ft. lift - 230V	<b>Y7949</b>	•	•	•
<sup>1</sup> Blue Diamond® Condensate Pumps with Reservoir	MicroBlue® - 1.3 US gallons per hour, 6 ft. lift - 110v-230V	<b>14T74</b>	•	•	N/A
	MaxiBlue® - 3.7 US gallons per hour, 16.5 ft. lift - 208-230V	<b>14T69</b>	N/A		•
	MultiTank Kit	<b>14T75</b>	N/A		•
	Sensor Cable Extension - 16 ft.	<b>14T76</b>	•	•	•
A/C Easy Tee® Condensate Cleanout		<b>Y7947</b>	•	•	•
<b>CONTROLS</b>					
Wired Programmable Controller	M0STAT64Q-1	<b>15D30</b>	•	•	•
Wired Non-Programmable Remote Controller	M0STAT61Q-1	<b>14A66</b>	•	•	•
Extension Cable for Wired Programmable Controller - 20 ft.	M0CTRL64Q-1	<b>Y8738</b>	•	•	•
Indoor/Outdoor Wiring Cable - 14 Gauge, 4 conductor wire, THHN, 250 ft.		<b>Y2067</b>	•	•	•
<b>SPEEDICHANNEL™ SYSTEM</b>					
SpeediChannel™ Starter Kit - 4 in.		<b>Y3387</b>	•	•	•
SpeediChannel - 4 in. x 6-1/2 ft. (qty. 6)		<b>Y3388</b>	•	•	•
Union Coupling - 4 in.		<b>Y3389</b>	•	•	•
90° Flat Bend Elbow - 4 in.		<b>Y3390</b>	•	•	•
90° Inside Elbow - 4 in.		<b>Y3391</b>	•	•	•
45° Flat Bend Elbow - 4 in.		<b>Y3392</b>	•	•	•
Flex Joint - 4 in.		<b>Y3393</b>	•	•	•
T-Joint - 4 in.		<b>Y3394</b>	•	•	•
Duct End - 4 in.		<b>Y3395</b>	•	•	•
Flat Wall Escutcheon - 4 in.		<b>Y3396</b>	•	•	•
Wall Penetration Cover - 4 in.		<b>Y3399</b>	•	•	•
Mount Block (White) Qty, 2 - 14 in.		<b>Y3397</b>	•	•	•
Mount Block (White) Qty, 2 - 36 in.		<b>Y3398</b>	•	•	•

<sup>1</sup> Y7946, Y7949 and 14T74 condensate pumps can be installed inside the indoor units. All other pumps must be installed external to the indoor unit.

## SOUND LEVELS - TEST CONDITIONS



### COOLING CAPACITY - 009 (208/230V)

Outdoor Temperature - °F (Dry Bulb)	Indoor Temperature - °F (Dry Bulb / Wet Bulb)							
	65°F / 54°F		70°F / 59°F		75°F / 63°F		80°F / 67°F	
	Total mBtuh	Sensible mBtuh	Total mBtuh	Sensible mBtuh	Total mBtuh	Sensible mBtuh	Total mBtuh	Sensible mBtuh
5	7.96	5.70	8.44	6.12	9.11	6.53	9.59	6.86
15	8.56	6.27	9.18	6.79	9.96	7.29	10.37	7.60
25	9.08	6.18	9.57	6.45	10.33	7.03	10.87	7.33
35	9.45	6.51	9.89	6.79	10.61	7.32	11.17	7.72
45	10.45	7.13	10.89	7.46	11.82	8.07	12.44	8.45
55	10.41	7.58	10.97	7.98	11.97	8.71	12.47	9.03
65	10.45	7.61	11.01	8.02	11.89	8.66	12.51	9.12
75	10.61	7.44	11.11	7.79	11.86	8.32	12.55	8.80
85	9.92	7.06	10.39	7.35	11.22	7.98	11.81	8.32
95	9.24	6.81	9.79	7.21	10.45	7.70	11.06	8.27
105	8.69	6.78	9.16	7.14	9.89	7.71	10.40	8.12
110	8.14	6.92	8.63	7.34	9.22	7.83	9.75	8.29
115	7.37	6.56	7.81	6.95	8.43	7.50	8.87	7.90
122	6.59	6.07	6.99	6.43	7.58	6.98	7.90	7.27

### COOLING CAPACITY - 012 (115V)

Outdoor Temperature - °F (Dry Bulb)	Indoor Temperature - °F (Dry Bulb / Wet Bulb)							
	65°F / 54°F		70°F / 59°F		75°F / 63°F		80°F / 67°F	
	Total mBtuh	Sensible mBtuh	Total mBtuh	Sensible mBtuh	Total mBtuh	Sensible mBtuh	Total mBtuh	Sensible mBtuh
5	7.64	5.28	8.13	5.61	8.44	5.80	8.83	6.09
15	7.93	5.62	8.44	5.98	8.85	6.32	9.22	6.52
25	8.38	5.94	8.77	6.22	9.30	6.62	9.63	6.90
35	8.81	6.18	9.16	6.42	9.61	6.82	10.06	7.10
45	9.00	6.63	9.63	7.09	10.09	7.55	10.46	7.68
55	9.47	7.31	9.96	7.69	10.39	7.87	10.88	7.78
65	9.92	7.01	10.42	7.37	10.93	7.73	11.33	8.01
75	10.15	7.31	10.80	7.77	11.28	8.11	11.81	8.50
85	10.78	7.86	11.28	8.22	11.90	8.67	12.39	9.03
95	11.02	7.73	11.53	8.08	12.16	8.53	12.60	8.84
105	9.81	7.11	10.31	7.48	10.82	7.85	11.33	8.22
110	8.67	6.76	9.17	7.15	9.72	7.58	10.07	7.86
115	7.98	6.78	8.44	7.17	8.76	7.44	9.17	7.79
122	7.14	6.35	7.43	6.61	7.79	6.94	8.16	7.26



### COOLING CAPACITY - 012 (208/230V)

Outdoor Temperature - °F (Dry Bulb)	Indoor Temperature - °F (Dry Bulb / Wet Bulb)							
	65°F / 54°F		70°F / 59°F		75°F / 63°F		80°F / 67°F	
	Total mBtuh	Sensible mBtuh	Total mBtuh	Sensible mBtuh	Total mBtuh	Sensible mBtuh	Total mBtuh	Sensible mBtuh
5	10.44	7.51	11.00	7.92	11.88	8.55	12.58	9.05
15	10.86	7.92	11.46	8.35	12.31	8.97	13.17	9.59
25	11.33	7.95	11.88	8.33	12.91	9.06	13.74	9.63
35	11.95	8.67	12.45	9.03	13.52	9.81	14.31	10.37
45	11.75	8.69	12.25	9.06	13.31	9.84	14.16	10.46
55	11.36	8.26	11.84	8.61	13.01	9.46	13.77	10.01
65	11.12	8.10	11.72	8.54	12.66	9.22	13.40	9.76
75	10.74	7.54	11.33	7.95	12.18	8.54	13.03	9.13
85	10.44	7.38	10.95	7.74	11.90	8.41	12.66	8.95
95	10.13	7.91	10.63	8.29	11.61	9.06	12.29	9.59
105	9.51	7.90	9.91	8.23	10.70	8.89	11.39	9.46
110	8.71	7.40	9.08	7.72	9.92	8.43	10.49	8.92
115	7.88	7.01	8.21	7.31	8.98	7.99	9.55	8.50
122	7.06	6.42	7.35	6.69	8.03	7.31	8.50	7.74

### COOLING CAPACITY - 018 (208/230V)

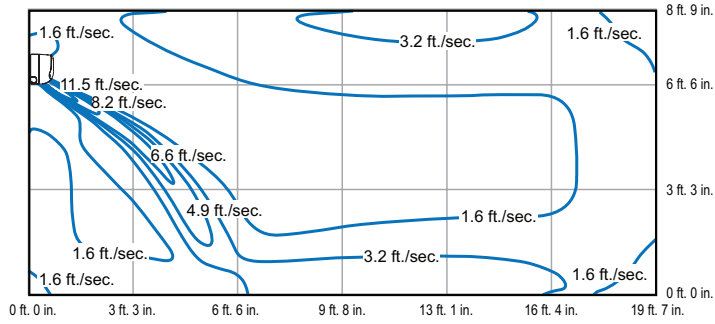
Outdoor Temperature - °F (Dry Bulb)	Indoor Temperature - °F (Dry Bulb / Wet Bulb)							
	65°F / 54°F		70°F / 59°F		75°F / 63°F		80°F / 67°F	
	Total mBtuh	Sensible mBtuh	Total mBtuh	Sensible mBtuh	Total mBtuh	Sensible mBtuh	Total mBtuh	Sensible mBtuh
5	18.18	13.18	19.25	13.95	20.21	14.64	21.27	15.41
15	17.66	13.24	18.70	14.02	19.63	14.72	20.77	15.58
25	17.49	12.49	18.83	13.45	19.66	14.05	20.69	14.79
35	17.76	12.45	18.69	13.11	19.51	13.69	20.65	14.48
45	17.19	12.51	18.09	13.17	19.10	13.90	20.10	14.63
55	16.64	12.06	17.52	12.70	18.40	13.33	19.57	14.19
65	16.09	11.57	17.23	12.39	18.00	12.94	19.04	13.69
75	15.83	11.53	16.66	12.13	17.59	12.81	18.51	13.48
85	15.29	11.29	16.10	11.89	16.99	12.56	17.98	13.29
95	14.75	11.65	15.80	12.48	16.58	13.10	17.45	13.79
105	14.00	11.34	14.74	11.94	15.48	12.53	16.38	13.26
110	13.00	10.79	13.84	11.49	14.53	12.06	15.30	12.70
115	11.76	10.59	12.53	11.27	13.09	11.78	13.92	12.53
122	10.59	9.85	11.09	10.31	11.71	10.89	12.39	11.52

## COOLING CAPACITY - 024 (208/230V)

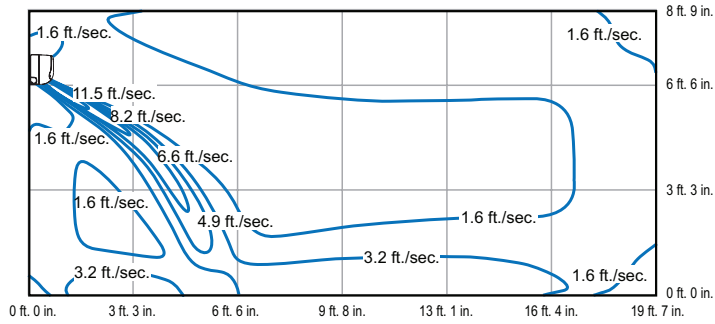
Outdoor Temperature - °F (Dry Bulb)	Indoor Temperature - °F (Dry Bulb / Wet Bulb)							
	65°F / 54°F		70°F / 59°F		75°F / 63°F		80°F / 67°F	
	Total mBtuh	Sensible mBtuh	Total mBtuh	Sensible mBtuh	Total mBtuh	Sensible mBtuh	Total mBtuh	Sensible mBtuh
5	17.92	14.25	19.22	15.28	20.19	16.03	21.59	17.03
15	17.95	14.49	19.47	15.72	20.34	16.34	21.75	17.41
25	18.32	14.28	19.31	15.05	20.41	15.85	21.94	16.79
35	18.39	14.32	19.61	15.27	20.72	16.14	22.16	16.99
45	18.47	13.93	19.93	15.03	20.94	15.79	22.39	16.89
55	18.87	13.69	20.22	14.67	21.02	15.25	22.60	16.40
65	18.93	13.65	20.30	14.63	21.33	15.38	22.81	16.44
75	18.99	15.11	20.60	16.39	21.53	17.12	23.02	18.31
85	19.41	15.67	20.46	16.51	21.62	17.45	23.25	18.76
95	19.47	15.17	20.76	16.17	21.93	17.09	23.46	18.28
105	17.81	13.86	19.21	14.96	20.18	15.71	21.59	16.81
110	16.47	13.40	17.65	14.37	18.44	14.93	19.72	15.83
115	14.89	13.73	15.97	14.73	16.69	15.19	17.94	16.27
122	13.17	12.63	14.29	13.70	14.93	14.31	15.97	15.31

# AIR THROW DATA

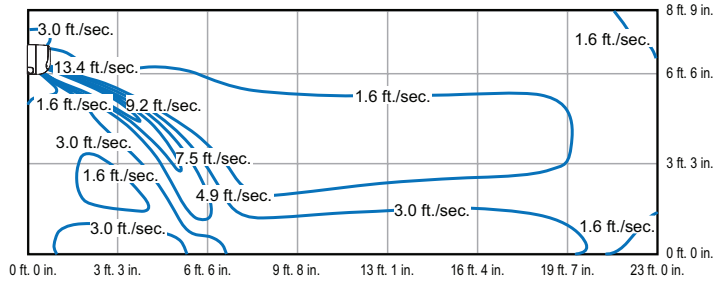
**MWCA009S4 - COOLING**



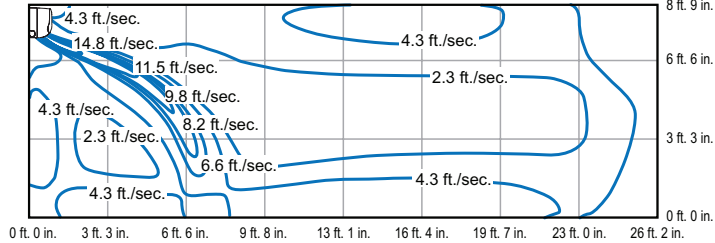
**MWCA012S4 - COOLING**



**MWCA018S4 - COOLING**

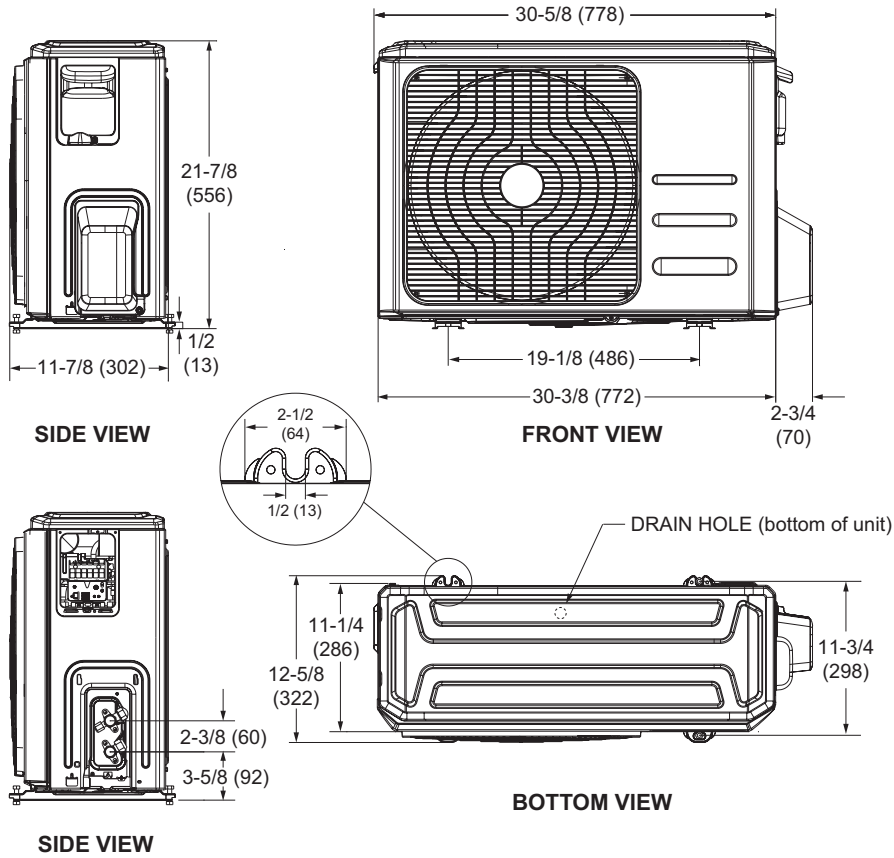


**MWCA024S4 - COOLING**

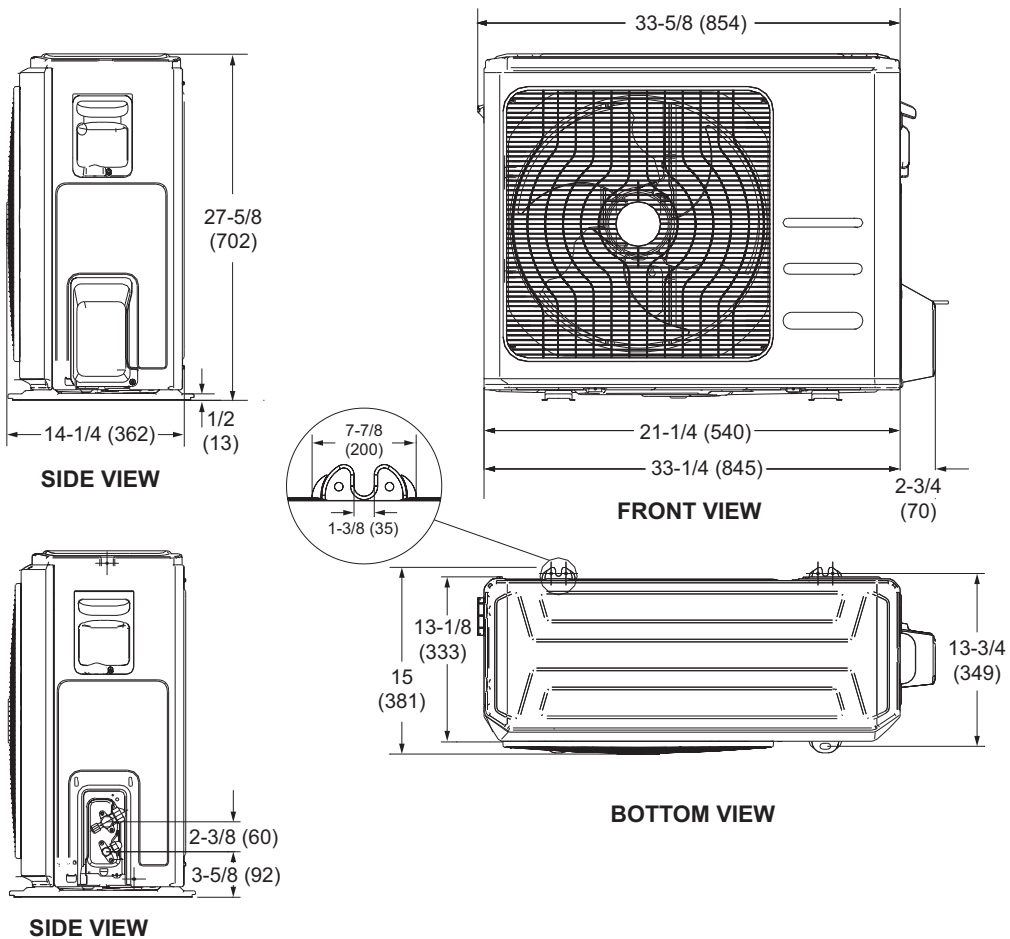


# DIMENSIONS - OUTDOOR UNITS

## MCA009S4S, MCA012S4S, MCA018S4S

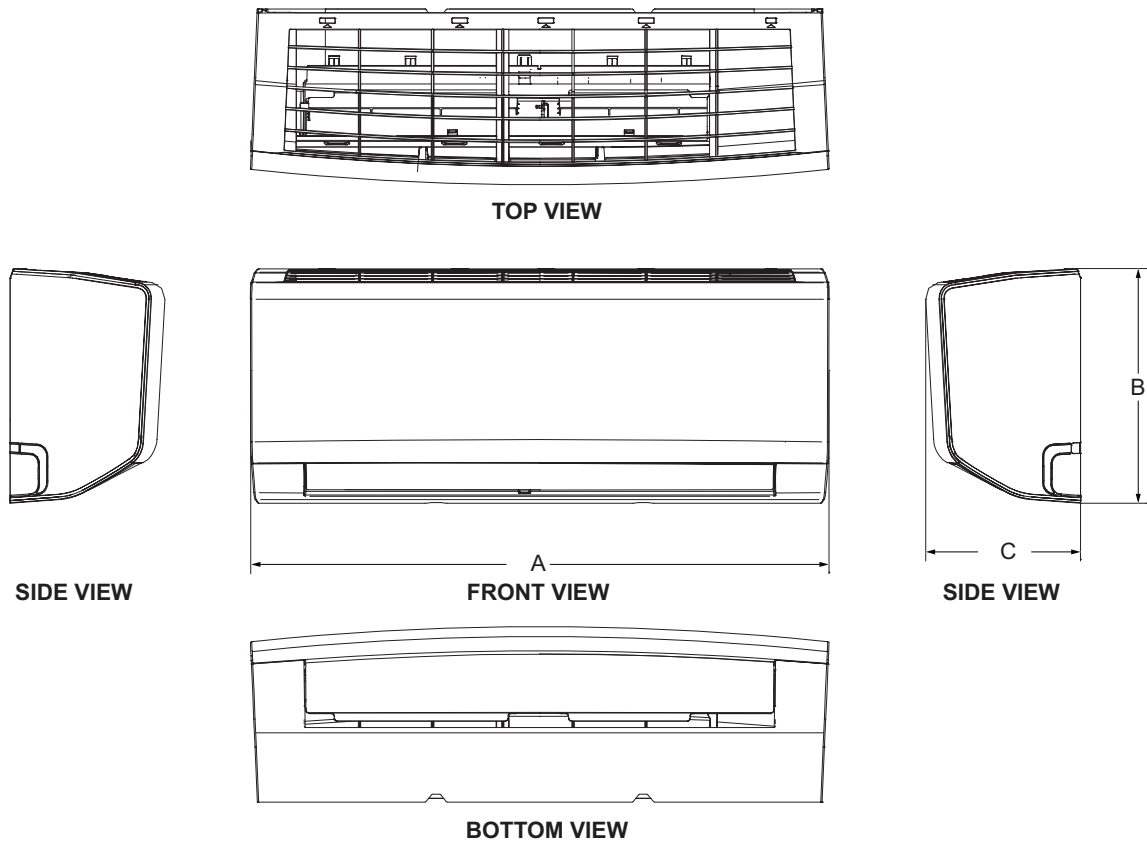


## MCA024S4S



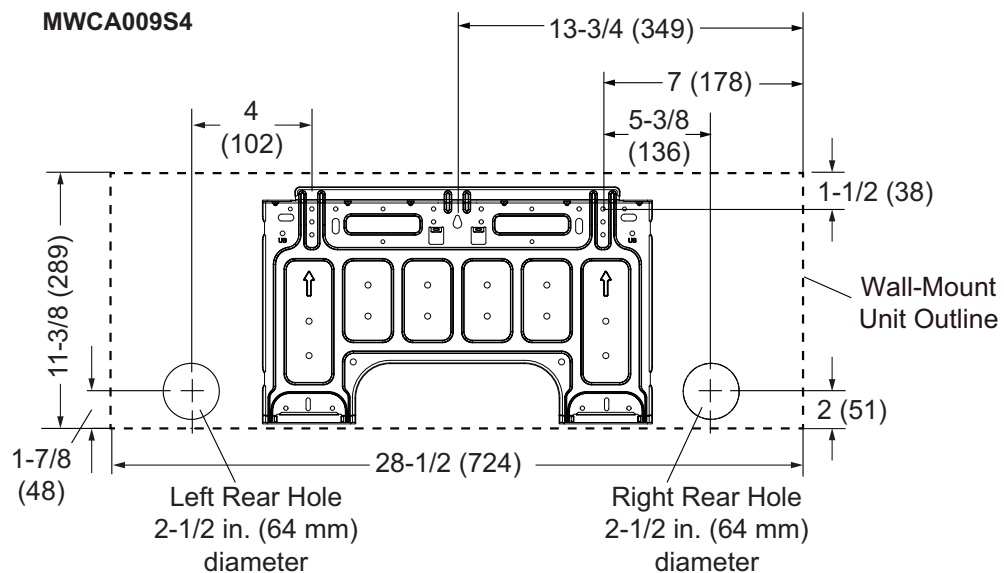
## DIMENSIONS - WALL-MOUNTED INDOOR UNITS

MWCA009S4, MWCA009S4, MWCA012S4, MWCA012S4, MWCA018S4, MWCA024S4, MWCA030S4

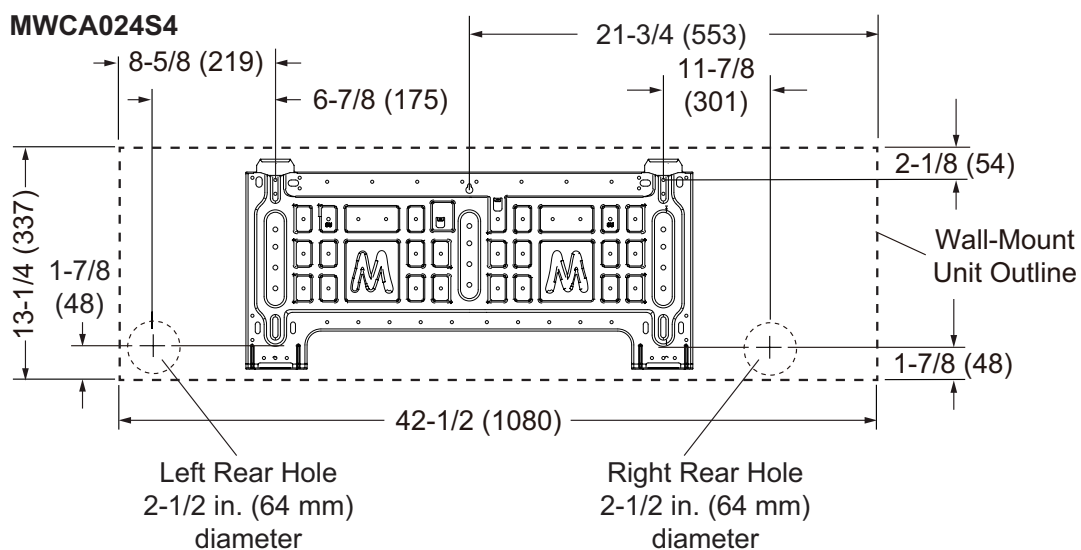
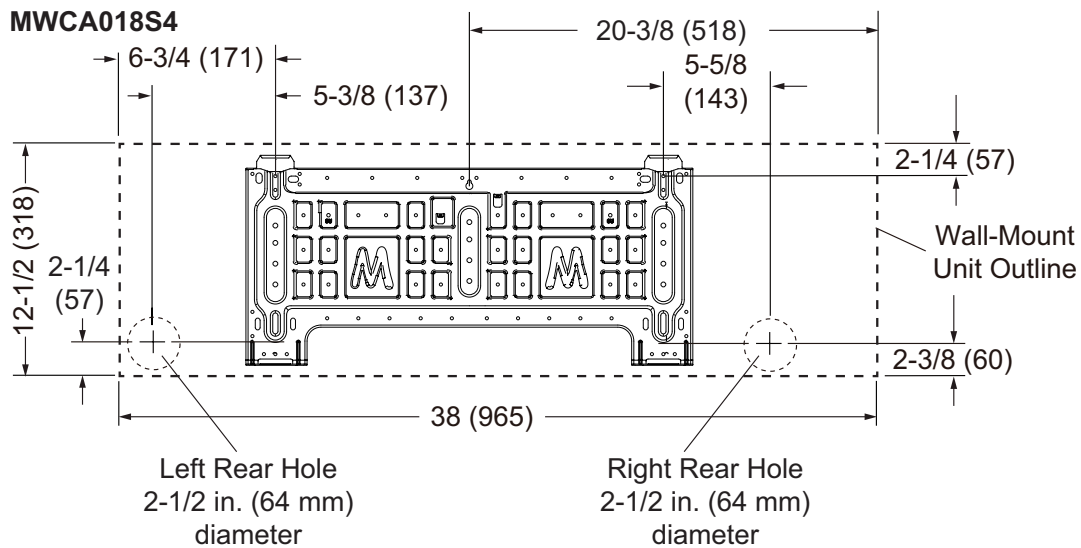
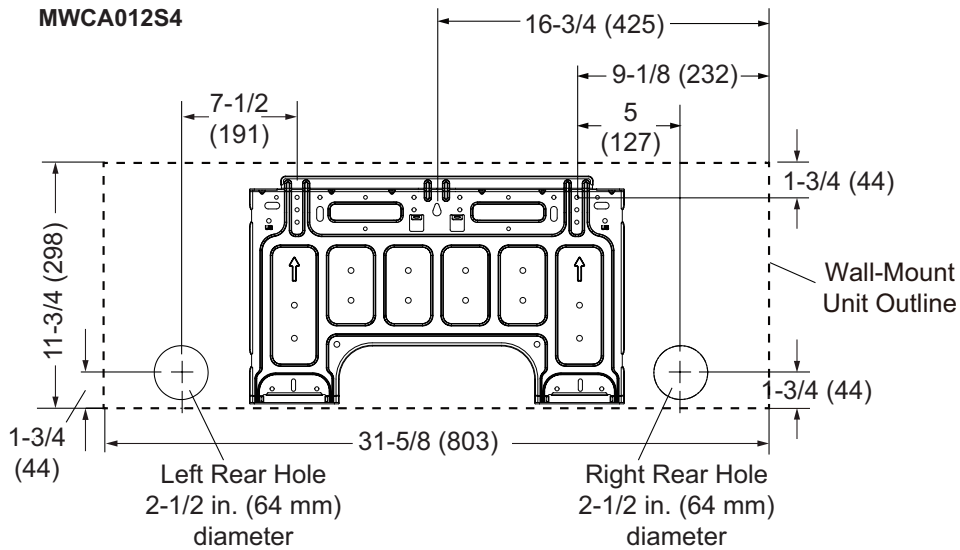


Size	A		B		C	
	in.	mm	in.	mm	in.	mm
MWCA009	29-5/8	752	11-3/8	289	8-5/8	219
MWCA012	32-3/4	832	11-3/4	298	8-3/4	222
MWCA018	39-1/8	994	12-1/2	318	9-7/8	251
MWCA024	44	1118	13-1/4	337	10-1/4	260

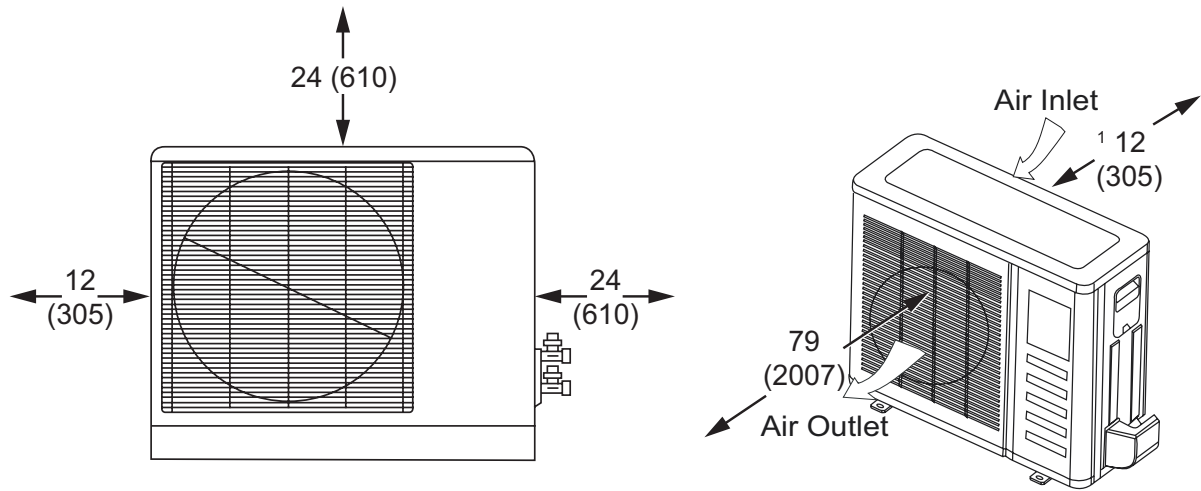
## DIMENSIONS - WALL-MOUNTED INDOOR UNITS - WALL PLATES



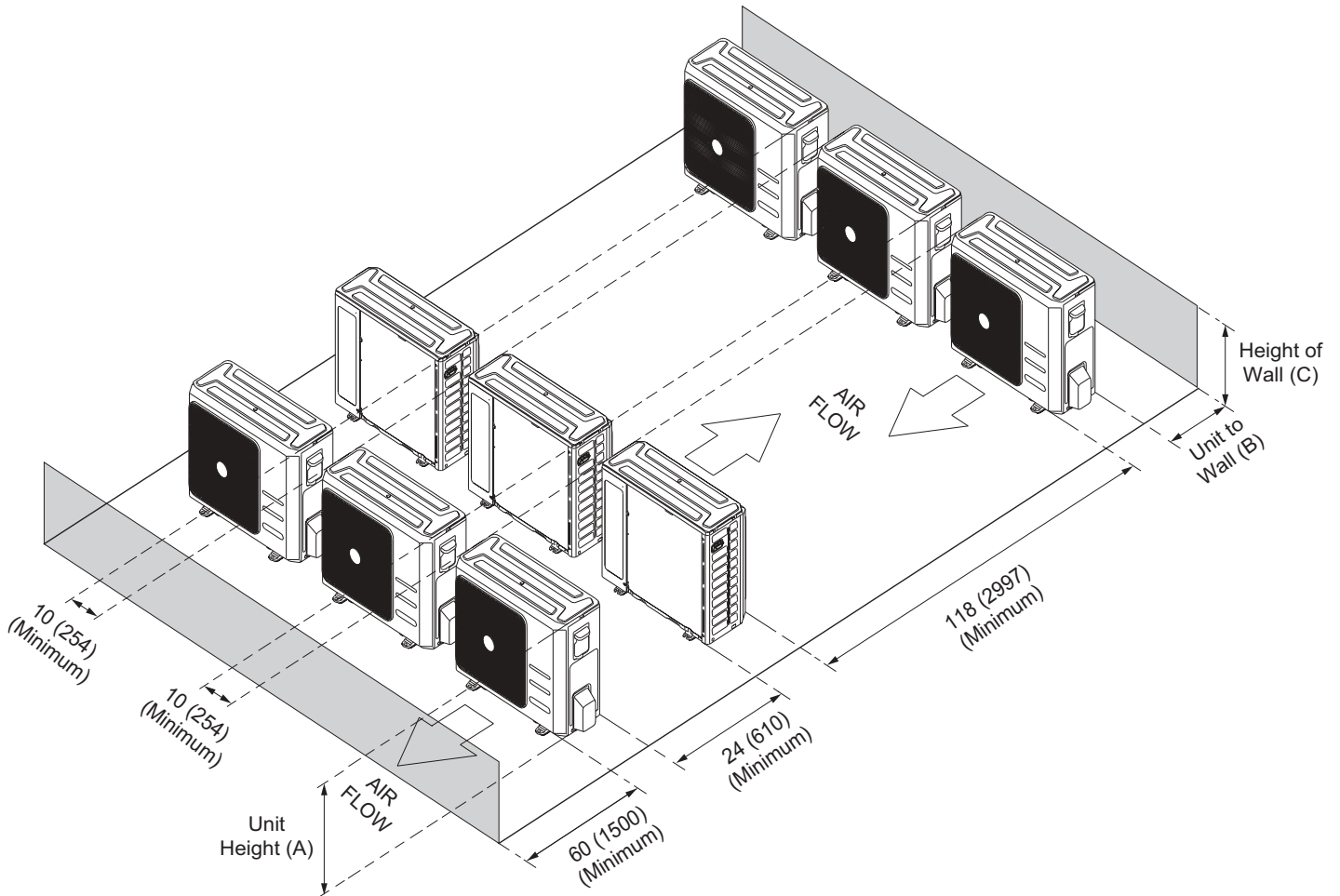
## DIMENSIONS - WALL-MOUNTED INDOOR UNITS - WALL PLATES



## INSTALLATION CLEARANCES - OUTDOOR UNITS



<sup>1</sup> Minimum rear clearance can be 6 inches (152 mm) when mounted on brackets and with no obstructions on the other three sides.



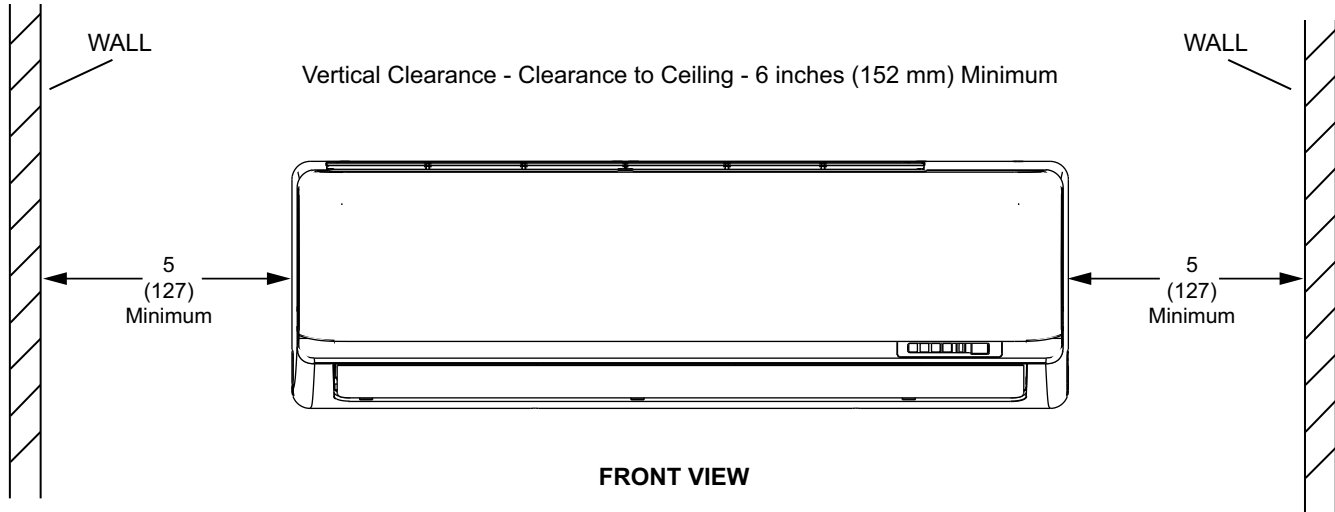
### CLEARANCE NOTES FOR MULTIPLE UNITS:

If the height of the wall (C) is less than or equal to the height of the smallest unit (A), the distance from the unit to the wall (B) must be a minimum of 10 inches (254 mm).

If 1/2 the height of the unit (A) is less than the height of the wall (C), the distance from the unit to the wall (B) must be a minimum of 12 inches (305 mm).

If the height of the wall (C) is greater than the height of the unit (A), the distance from the unit to the wall (B) must be a minimum of 20 inches (508 mm).

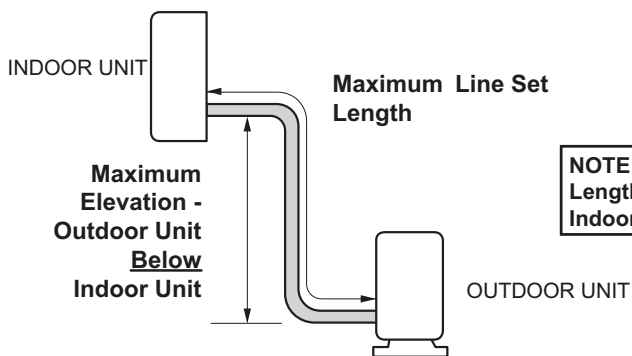
## INSTALLATION CLEARANCES - WALL-MOUNTED INDOOR UNITS



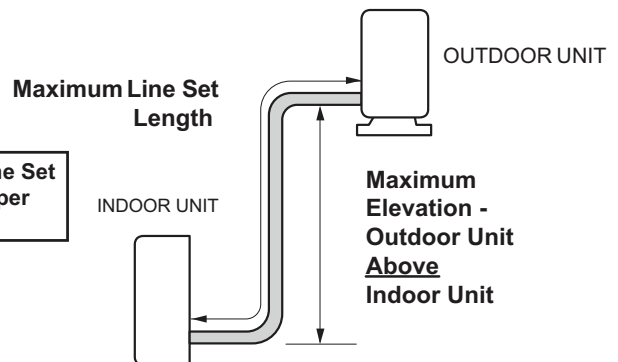
Vertical Clearance - Clearance to Floor - 72 inches (1829 mm) Minimum  
 NOTE - Provide 96 inches (2438) clearance to floor for best performance

## LINE SET AND ELEVATION GUIDELINES

### Outdoor Unit BELOW Indoor Unit



### Outdoor Unit ABOVE Indoor Unit



Size	Line Set Diameters (in.)		Maximum Elevation - Outdoor Unit <u>Below</u> Indoor Unit ft. (m)	Maximum Elevation - Outdoor Unit <u>Above</u> Indoor Unit ft. (m)	Maximum Line Set Length ft. (m)
	Liquid	Gas			
009	1/4	3/8	33 ft. (10 m)	33 ft. (10 m)	82 ft. (25 m)
012	1/4	1/2	33 ft. (10 m)	33 ft. (10 m)	82 ft. (25 m)
018	1/4	1/2	66 ft. (20 m)	66 ft. (20 m)	98 ft. (30 m)
024	3/8	5/8	66 ft. (20 m)	66 ft. (20 m)	98 ft. (30 m)









## REVISIONS

Sections	Description of Change
Cooling Capacity Tables	Removed data rows for -13 to 0 Outdoor Temperature - °F (Dry Bulb).



Visit us at [www.lennox.com](http://www.lennox.com)

For the latest technical information, [www.LennoxPros.com](http://www.LennoxPros.com)

Contact us at 1-800-4-LENNOX

NOTE - Due to Lennox' ongoing commitment to quality, Specifications, Ratings and Dimensions subject to change without notice and without incurring liability. Improper installation, adjustment, alteration, service or maintenance can cause property damage or personal injury. Installation and service must be performed by a qualified installer and servicing agency.

©2019 Lennox Industries, Inc.