

MINI-SPLIT SYSTEMS



MPB

Mini-Split

Single Zone Heat Pump Systems - R-410A - 60 Hz

Bulletin No. 210863
August 2019
Supersedes April 2018

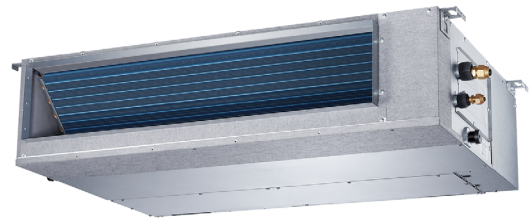
**RESIDENTIAL / COMMERCIAL
PRODUCT SPECIFICATIONS**



MPB009 thru 036 Heat Pump Outdoor Units



M22A/M33A/M33B Cassette Non-Ducted Indoor Unit



MMDB Medium Static Ducted Indoor Unit



MPB048 Heat Pump Outdoor Units



MWMA/MWMB Wall-Mounted Non-Ducted Indoor Unit



MCFA/MCFB Ceiling/Floor-Mount Non-Ducted Indoor Unit

**Wireless
Remote Control
(furnished with
Wall-Mount,
Cassette and
Ceiling/Floor
Non-Ducted Models)**



**Wired
Remote Controller
(furnished with
Medium Static
Ducted Models)**



Certain models have earned the ENERGY STAR® mark by meeting strict energy efficiency guidelines set by the US EPA.

SEER up to 23.50

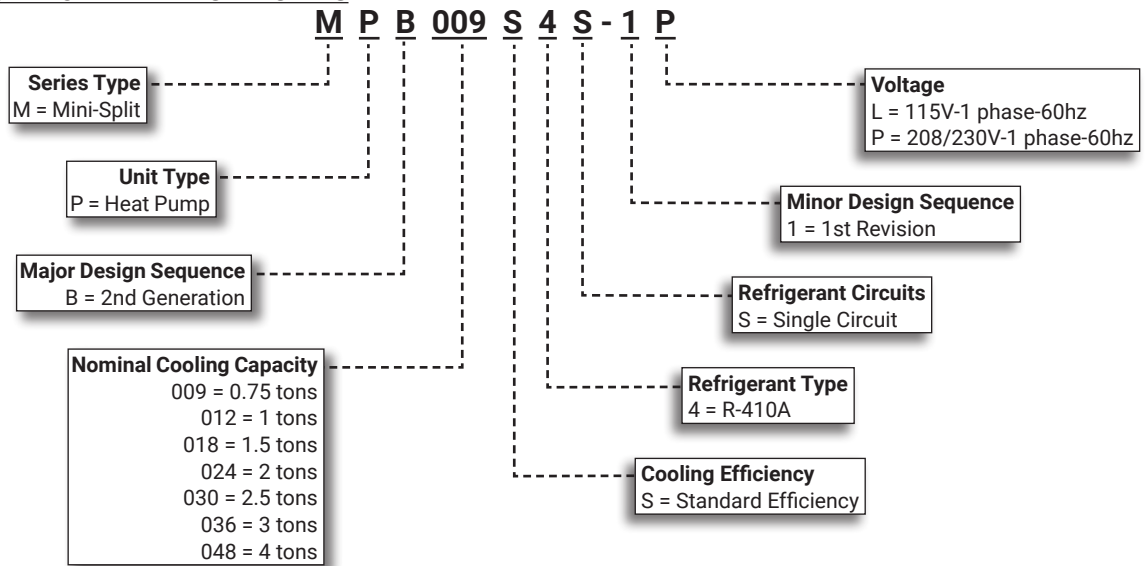
0.75 to 4 Tons

Cooling Capacity - 9,000 to 48,000 Btuh

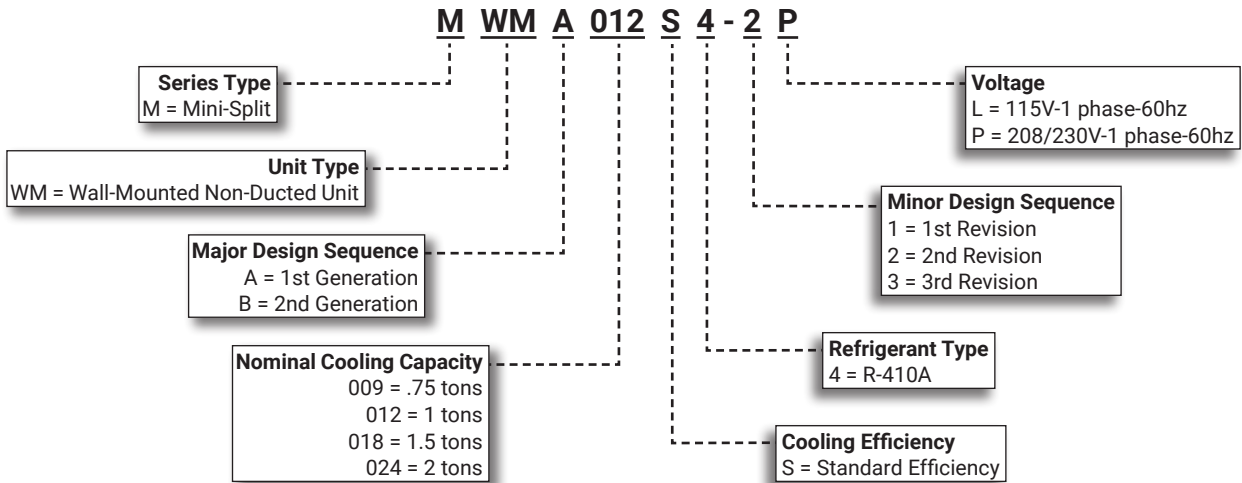
Heating Capacity - 9,800 to 50,000 Btuh

MODEL NUMBER IDENTIFICATION

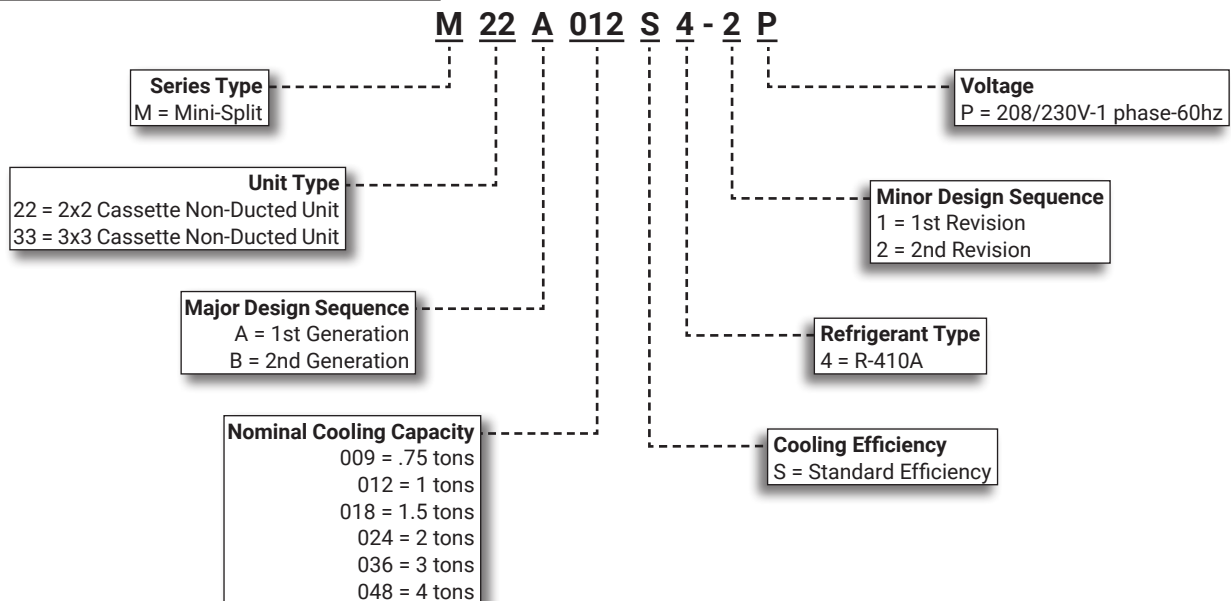
OUTDOOR SINGLE ZONE HEAT PUMP UNITS



WALL-MOUNTED INDOOR UNITS

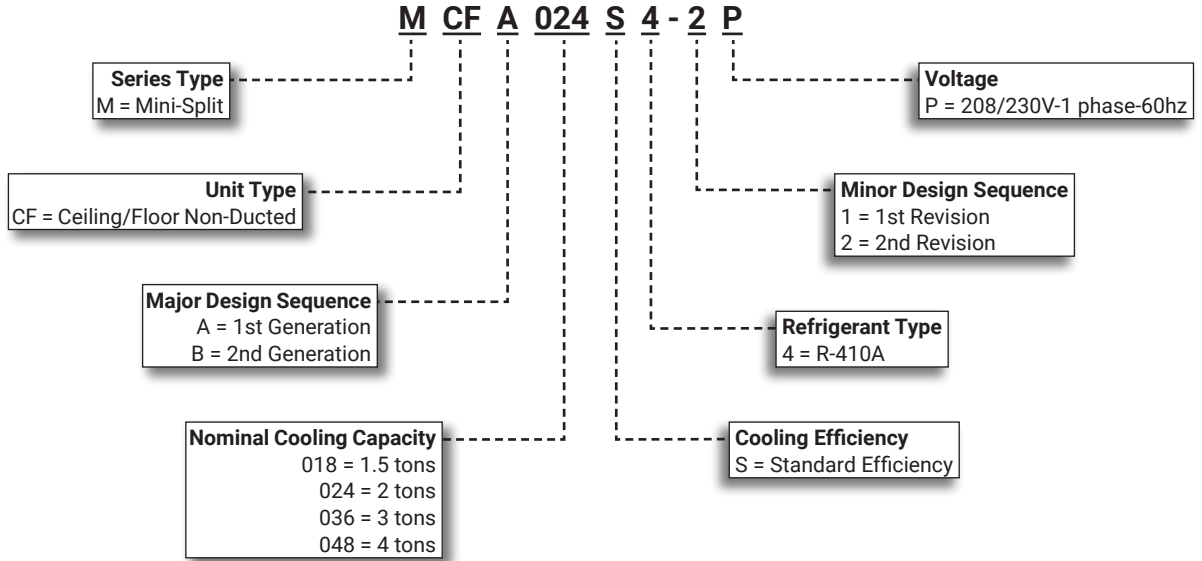


CASSETTE NON-DUCTED INDOOR UNITS

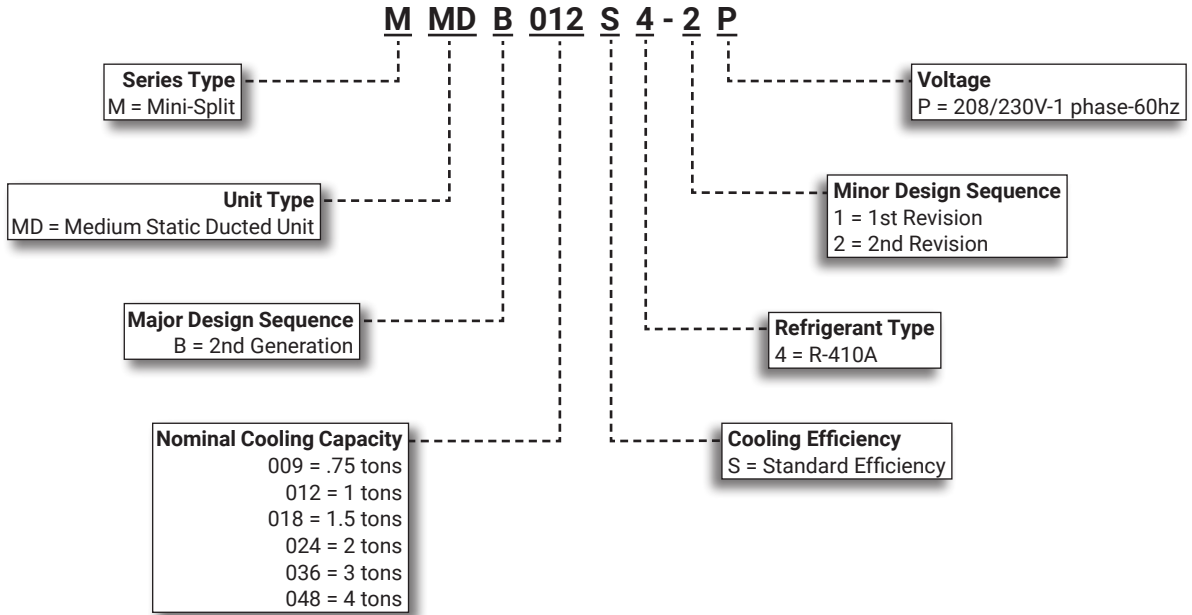


MODEL NUMBER IDENTIFICATION

CEILING/FLOOR NON-DUCTED INDOOR UNITS



MEDIUM STATIC DUCTED INDOOR UNITS



CONTENTS

AHRI System Matches	23
Air Throw Data - Wall-Mounted Indoor Units	32
Approvals and Warranty	5
Blower Data - Medium Static Ducted Indoor Units	36
Cooling Capacity	24
Dimensions - Cassette Indoor Units	47
Dimensions - Ceiling/Floor Mount Indoor Units	49
Dimensions - Medium Static Ducted Indoor Units	50
Dimensions - Outdoor Units	42
Dimensions - Wall-Mounted Indoor Units	45
Dimensions - Wall-Mounted Indoor Units - Wall Plates	46
Features - Indoor Units	6
Features - Outdoor Units	5
Heating Capacity	24
Installation Clearances - Cassette Indoor Units	52
Installation Clearances - Ceiling/Floor Mount Indoor Units	53
Installation Clearances - Medium Static Ducted Indoor Units	54
Installation Clearances - Outdoor Units	51
Installation Clearances - Wall-Mounted Indoor Units	52
Line Set And Elevation Guidelines	55
Model Number Identification	2
Optional Accessories - Order Separately	21
Sound Levels - Test Conditions	22
Specifications - Cassette Indoor Units	18
Specifications - Ceiling/Floor Mount Indoor Units	19
Specifications - Medium Static Ducted Indoor Units	20
Specifications - MPB Outdoor Units	15
Specifications - Wall-Mounted Indoor Units	17

APPROVALS AND WARRANTY

APPROVALS

- AHRI Standard 210/240 certified with Addenda 1 and 2
- ENERGY STAR® certified (certain models)
- Rated According to U.S. Department of Energy (DOE) test procedures
- Indoor and outdoor units and components UL and CEC bonded for grounding to meet safety standards for servicing
- ETL certified for the U.S. and Canada
- Meets 2014 Florida Building Code Wind Design Criteria
 - Ultimate Wind Speed – 186 miles per hour
 - Risk Categories – III and IV
 - Wind Exposures – C and D
 - Mean Roof Heights – Up to 60 feet above ground

WARRANTY

- Compressor - Limited seven years
- All other covered components - Limited five years

NOTE - Refer to Lennox Equipment Limited Warranty certificate included with unit for specific details.

FEATURES - OUTDOOR UNITS

APPLICATIONS

- SEER - Up to 23.50
- HSPF - Up to 11.5
- 0.75 through 4 ton
- Single phase power supply (208/230V)
- Outdoor unit sound levels as low as 52.5 dBA
- Indoor unit sound levels as low as 24 dBA
- Ductless mini-split systems provide a wide range of capacities and applications and provide an alternative when a ducted system is impractical or cost prohibitive
- Units shipped completely factory assembled, internally piped, and wired

NOTE - Outdoor unit is designed for outdoor use.

NOTE - it is recommended that Medium Static Ducted Indoor Units not be installed in unconditioned spaces with temperatures above 100°F.

REFRIGERATION SYSTEM

R-410A Refrigerant

- Non-chlorine, ozone friendly
- Unit is factory pre-charged

Outdoor Coil

- Aluminum fins fitted to copper tubes
- Wire grille guard provided

Outdoor Fan

- Direct drive fan moves large air volumes uniformly through entire outdoor coil for high refrigeration capacity.
- Fan guard provided

Refrigerant Line Connections, Service Valve

- Flare connection lines are located on side of unit cabinet
- Fully serviceable brass service valve prevents corrosion and provides access to refrigerant system

COMPRESSOR

Variable Frequency Rotary Compressor

- Compressor features high efficiency operation
- Balanced for reduced vibration and quiet operation
- Brushless DC motor uses powerful Neodymium magnets, which are approximately 15-20 times stronger than ferrite magnets used in conventional AC compressors

Compressor Crankcase Heater

- Protects against liquid refrigerant migration that can occur during low ambient operation

CONTROLS

DC Inverter Control

- Provides continuous operation, while adjusting capacity according to room temperature
- The accurate sensing of cooling loads prevents frequent changes in capacity and ensures efficient, economical operation

Inverter Module Protection

- Protects against differences in current, voltage and temperature
- Displays code on the indoor unit indicating a need for servicing

FEATURES - OUTDOOR UNITS

CONTROLS (continued)

Outdoor Unit Microprocessor

- Electronic expansion valve control
- Automatic compressor timed-off protection (3 minutes)
- Temperature sensor
- LEDs on control display error codes and assist in troubleshooting
- 4-Way reversing valve control

Electronic Expansion Valve

- Furnished on all models

Compressor Overcurrent Protection

- Overcurrent protection can result due to any of the following:
 - Ambient temperature is too high
 - Locked rotor on the compressor
 - Outdoor air is blocked or restricted

Condenser High Temperature Protection

- Condenser high temperature can occur due to any of the following conditions:
 - High outdoor ambient
 - Outdoor fan blocked
 - Outdoor coil blocked
- The outdoor coil thermistor continuously monitors the temperature and communicates with the microprocessor
- Depending on the temperature measured, the compressor will be allowed to increase the frequency if needed to meet the load or is forced to run at the current or reduced frequency
- If the temperature becomes excessively high the compressor will be de-energized

Compressor Discharge Temperature Protection

- The compressor discharge line thermistor continuously monitors the temperature and communicates with the microprocessor
- Depending on the temperature measured, the compressor will be allowed to increase the frequency to meet the load or is forced to run at the current or reduced frequency
- If the temperature becomes excessively high, the compressor will be de-energized

Voltage Protection

- Protects unit from low or high voltage fluctuations

Terminal Strip

- Furnished for easy wiring connections

Automatic Piping/Wiring Correction

- Automatically checks piping/wiring connections
- A "Check Switch" on outdoor unit control reviews zone wiring and piping connections and displays "CE" if all connections are correct
- If a unit(s) is not connected to the correct zone the control will automatically remap the wiring to the correct zone based on indoor unit size

Defrost Control

- Defrost cycle is automatically enabled if there is a build-up of frost on the outdoor coil
- Outdoor fan operation is terminated during the defrost cycle
- Indoor fan changes to ultra low speed during the defrost cycle to help bring warm refrigerant back to the outdoor coil to assist during defrost operation
- Defrost LED is lit on the indoor unit panel on the front cover during a defrost cycle

Reversing Valve

- 4-way interchange reversing valve effects a rapid change in direction of refrigerant flow resulting in quick changeover from cooling to heating and vice versa
- Valve operates on pressure differential between outdoor unit and indoor unit of the system

CABINET

- Constructed of heavy gauge steel
- Tabs on unit base allow secure mounting to slab
- Condensate drain outlets furnished on unit base

NOTE - Drain must be field furnished.

- Pan heater prevents ice build-up in the bottom of the unit during heating operation
- Access cover for power and control wiring connections
- Access cover for service valves

FEATURES - INDOOR UNITS

WALL-MOUNTED INDOOR UNITS



- Low-sound, three-speed Wall Mount with LED display offers three access points for refrigerant outlet pipes: left, right or rear
- The front panel can be raised for accessible wiring and maintenance
- Swing louver angles to 90°
- Unit installs horizontally on a vertical wall
- **Pre-Heat Function** - Delays the operation of the fan until the indoor coil has reached a pre-determined temperature which prevents the discharge of cold air while the system is operating in the "heating" mode
- **LED Readout** - Mounted on unit. LED displays unit operation status, and codes for maintenance and servicing
- **Auto Restart** - Automatically restores the previous function setting if power is interrupted
- **Cooling Override** - Button on the indoor unit allows a temporary 30 minute override of the system for forced "AUTO" or "COOLING" operation
- **Flare Connections** - Equipped with liquid and gas flare fittings for quick and secure piping
- **Multi-Refrigerant Outlet** - Allows left, right, or rear access for refrigeration line connection
- **Three Speed Fan** - Fan functions at three speeds: low, medium and high
- **Air Filter** - Cleanable air filter is furnished as standard

CASSETTE INDOOR UNITS



- Low-sound and encased in galvanized steel, the Cassette unit with LED display offers 360° airflow for immediate, equal distribution of wide-range cooling and heating
- 360° Airflow Panel - Allows for even, wide-range cooling and heating
- Pre-Heat Function - Delays the operation of the fan until the indoor coil has reached a pre-determined temperature which prevents the discharge of cold air while the system is operating in the "heating" mode
- **LED Readout/Infrared Receiver Panel** - Mounted on unit. LEDs display unit operation status, and codes for maintenance and servicing
- Infrared receiver for use with wireless remote controller (furnished)
- **Auto Restart** - Automatically restores the previous function setting if power is interrupted
- **Cooling Override** - Button on the indoor unit allows a temporary 30 minute override of the system for forced "AUTO" or "COOLING" operation
- **Built-In Condensate Pump** - 27-1/2 in. maximum lift
- **Compact Design** - Allows accessible wiring and space-saving installation with reduced width and depth
- **Flare Connections** - Equipped with liquid and gas flare fittings for quick and secure piping
- **Three Speed Fan** - Fan functions at three speeds: low, medium and high
- **Turbo Fan With Backward Curved Blades** - Reduces sound levels and air resistance
- **Air Filter** - Cleanable air filter is furnished as standard



NOTE - The cassette panel must be ordered separately.
See Specifications table for ordering information.

FEATURES - INDOOR UNITS

CEILING/FLOOR MOUNT INDOOR UNITS



- Low-sound, three-speed Ceiling and Floor Mount models with LED display has a multi-blade fan that distributes air vertically and horizontally with a wide angle sweeping motion
- Two installation options are available:
 1. Horizontally against the ceiling
 2. Vertically against the floor/wall
- **Pre-Heat Function** - Delays the operation of the fan until the indoor coil has reached a pre-determined temperature which prevents the discharge of cold air while the system is operating in the "heating" mode
- **LED Readout/Infrared Receiver Panel** - Mounted on unit. LEDs display unit operation status, and codes for maintenance and servicing
- Infrared receiver for use with wireless remote controller (furnished)



NOTE - Readout panel design varies depending on unit size.

- **Auto Restart** - Automatically restores the previous function setting if power is interrupted
- **Cooling Override** - Button on the indoor unit allows a temporary 30 minute override of the system for forced "AUTO" or "COOLING" operation
- **Flare Connections** - Equipped with liquid and gas flare fittings for quick and secure piping
- **Multi-Refrigerant Outlet** - Allows left, right, or rear access for refrigeration line connection
- **Three Speed Fan** - Fan functions at three speeds: low, medium and high
- **Air Filter** - Cleanable air filter is furnished as standard

MEDIUM STATIC DUCTED INDOOR UNITS



- Slim, compact design for limited space requirements. Installs out of sight between the drop ceiling and ceiling slab with ducted distribution to the indoor space
- **Pre-Heat Function** - Delays the operation of the fan until the indoor coil has reached a pre-determined temperature which prevents the discharge of cold air while the system is operating in the "heating" mode
- **LED Readout Panel** - Mounted in the unit control box unit. LEDs display unit operation status, and codes for maintenance and servicing
- **Auto Restart** - Automatically restores the previous function setting if power is interrupted
- **Cooling Override** - Button on the indoor unit allows a temporary 30 minute override of the system for forced "AUTO" or "COOLING" operation
- **Built-In Condensate Pump** - 27-1/2 inch lift
- **Duct Connections** - Return air connections can be made horizontally or from the bottom of the unit with interchangeable panel
- **Flare Connections** - Equipped with liquid and gas flare fittings for quick and secure piping
- **Three Speed Fan** - Fan functions at three speeds: low, medium and high
- **Air Filter** - Cleanable air filter is furnished as standard

AUTO CHANGEOVER OPERATION

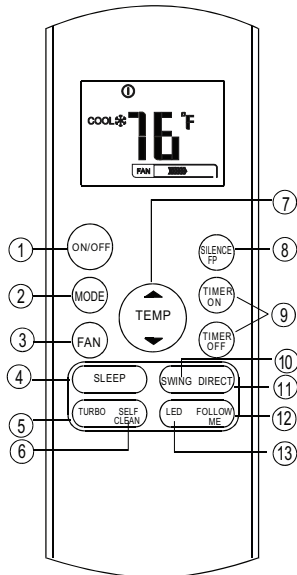
- If the indoor unit is set to "AUTO" mode the unit will operate in cooling, heating or fan mode based on temperature setting
- Fan runs in auto mode

ACCESSORIES (FURNISHED)

WIRELESS REMOTE CONTROLLER

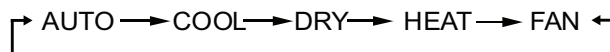
Furnished with Wall-Mounted Indoor Units, Cassette Indoor Units and Ceiling/Floor Indoor Units.

- Complete remote control of system
- Maximum operating range is 25 ft.
- Operates on two AAA 1.5V batteries (furnished)
- Wireless remote controller holder furnished
- Holder can be mounted on a wall for easy access
- Mounting screws furnished

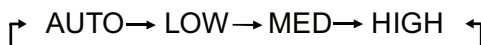


- 1 ON/OFF Button**
- Turns system on and off

- 2 MODE Button**
- Select system operation modes
 - Push button to cycle through each setting



- 3 FAN Button**
- Select fan speed
 - Push button to cycle through each setting



NOTE - Not available in AUTO or DRY modes.

- 4 SLEEP Button**
- Enables the system to automatically increase cooling or decrease heating (in 2°F increments) per hour for the first 2 hours, then maintain a steady temperature for 5 hours
 - System reverts back to previous operation mode after 7 total hours of operation

NOTE - To cancel, push the "MODE", "FAN SPEED" or "ON/OFF" buttons.

NOTE - SLEEP mode is only available when the unit is in COOL, HEAT or AUTO mode.

- 5 TURBO Button**
- Enables the unit to reach the preset temperature during cooling or heating operation in the shortest time

- 6 SELF CLEAN Button**
- Automatically cleans and dries the evaporator coil at the end of the cooling season, preventing any odors or mildew

- 7 UP/DOWN Buttons ▲ ▼**
- Increase or decrease the indoor temperature in one degree increments (maximum 86°F, minimum 62°F)

NOTE - Temperature cannot be adjusted in FAN mode.

NOTE - Press and hold and buttons together for 3 seconds to alternate the temperature display between the °C and °F scale.

- 8 SILENCE/FP Button**
- **Silence** - Operates the compressor at low frequency and low fan speed to reduce operating sound levels to a minimum
 - **FP** - Only available during heating operation - Unit will operate at a set temperature of 46°F

NOTE - To cancel, push the "ON/OFF", "SLEEP", "FP", "MODE", "FAN SPEED", "UP/DOWN" buttons.

- 9 TIMER ON / TIMER OFF Buttons**
- **TIMER ON** (initiates an auto-on time sequence)
 - **TIMER OFF** (initiates an auto-off time sequence)
 - Can be used separately or together
 - Each press of the button increases the time in 30 minute increments up to 10 hours
 - Above 10 hours each press of the button will increase the auto-timed setting by 60 minutes up to 24 hours

NOTE - To cancel, set timer to 0.0 or turn remote off and on.

- 10 SWING Button**
- Used to stop or start horizontal louver auto swing feature

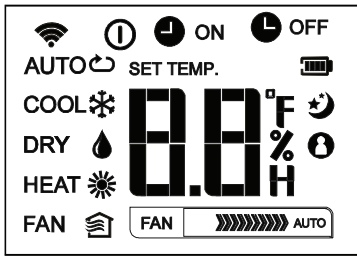
- 11 DIRECT Button**
- Used to change the louver movement and set the desired up/down air flow direction
 - The louver angle changes 6° for each press of the button

- 12 FOLLOW ME Button**
- Allows remote temperature sensing of the room at the remote controller location

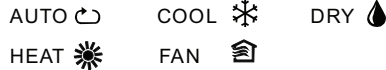
- 13 LED Button**
- Turns the LCD display backlight on the indoor unit on or off

ACCESSORIES (FURNISHED)

WIRELESS REMOTE CONTROLLER OPERATION



Mode display



- Displayed when data transmitted.
- Displayed when remote controller is ON.
- Battery display (low battery detection)

- ON Displayed when TIMER ON time is set.
- OFF Displayed when TIMER OFF time is set.

Show set temperature or room temperature, or time under TIMER setting.

- Displayed in Sleep Mode operation.
- Indicated that the air conditioner is operating in Follow me mode

Fan speed indication

- Low speed
- Medium speed
- High speed
- Auto fan speed

Note - During unit operation only the active functions will be shown on the display.

Auto Operation

1. Press the **MODE** button to select Auto.
2. Press the **UP/DOWN** button to set the desired temperature.
3. Press the **ON/OFF** button to start the air conditioner.

Cooling /Heating/Fan Operation

1. Press the **MODE** button to select **COOL**, **HEAT** or **FAN** mode.
2. Press the **UP/DOWN** buttons to set the desired temperature.
3. Press the **FAN** button to select the fan speed in four steps- Auto, Low, Med, or High.
4. Press the **ON/OFF** button to start the air conditioner.

Dehumidifying Operation

1. Press the **MODE** button to select **DRY** mode.
2. Press the **UP/DOWN** buttons to set the desired temperature.
3. Press the **ON/OFF** button to start the air conditioner.

Timer ON/OFF Operation

1. Press the **TIMER ON** or **TIMER OFF** button. The remote controller shows **TIMER ON** or **TIMER OFF** icon, the previous Auto-on time setting and the signal "H" will be shown on the LCD display area.
2. Push the **TIMER ON** or **TIMER OFF** button again to set desired time. Each time you press the button, the time increases by 30 minutes between 0 and 10 hours and by 60 minutes between 10 and 24 hours.
3. After setting the **TIMER ON** or **TIMER OFF** there will be a one second delay before the remote controller transmits the signal to the unit. After approximately 2 seconds, the signal "H" will disappear and the set temperature will re-appear on the LCD display window.

ACCESSORIES (FURNISHED)

WIRED REMOTE CONTROLLER

Furnished with Ducted Indoor Units.

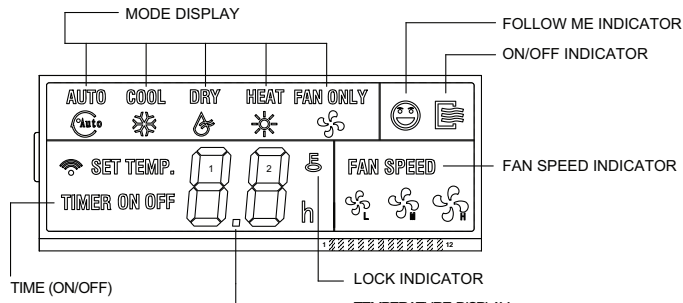
NOTE - Can be ordered separately for non-ducted indoor units.

FEATURES

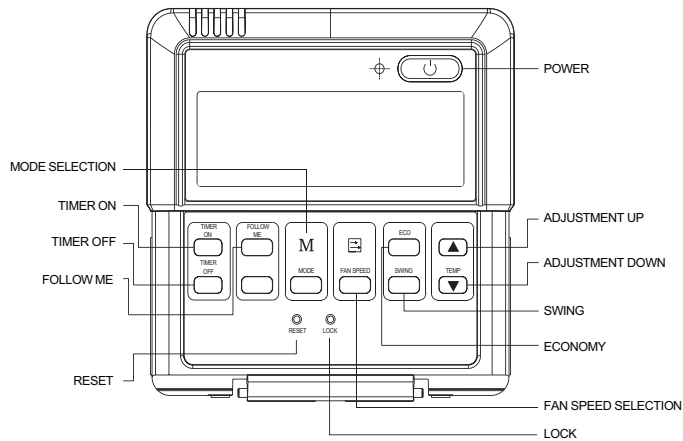
- Permanent Memory - Maintains clock, fan speed and mode of operation settings following power outages
- Dimensions (H x W x D) - 4-3/4 x 4-3/4 x 7/8 in.
- Additional hardware is furnished for installation
- Wiring - Controller uses 5-wire shielded 20 ft. (6 m) cable (furnished) for easy low voltage connection to the indoor unit
- Maximum cable length is 40 ft. (12 m)



DISPLAY



BUTTONS AND FUNCTIONS



MODE Button

- Select system operation modes. Push button to cycle through each setting

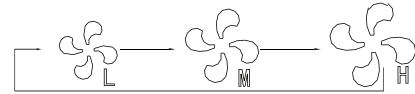


POWER Button

- Turns system on and off

FAN SPEED Button

- Selects fan speed. Each button press cycles through the following settings on display



NOTE - Not available in AUTO mode.

TIMER ON / TIMER OFF Buttons

- TIMER ON (initiates an auto-on time sequence)
- TIMER OFF (initiates an auto-off time sequence) can be used separately or together
- Each press of the button increases the time in 30 minute increments up to 10 hours
- Above 10 hours each press of the button will increase the auto-timed setting by 60 minutes up to 24 hours

NOTE - To cancel, set timer to 0.0.

UP/DOWN Buttons ▲▼

- Increase or decrease the indoor temperature in two degree increments (maximum 88°F, minimum 62°F).

NOTE - Temperature cannot be adjusted in FAN mode.

NOTE - Press and hold and buttons together for 3 seconds to alternate the temperature display between the °C and °F scale.

SWING Button

- Used to stop or start horizontal louver auto swing feature

ECONOMY Button

- Maintains the most comfortable temperature and saves energy

RESET Button (Recessed)

- Resets Controller to factory settings. Recessed to prevent tampering

LOCK Button (Recessed)

- Locks Controller buttons to prevent tampering with settings

OPTIONAL ACCESSORIES

Extension Cable for Wired Remote Controller

- 20 ft. cable for easy low voltage connection to the indoor unit
- Extends cable to maximum 40 ft. length

OPTIONAL ACCESSORIES - ORDER SEPARATELY

WIRED PROGRAMMABLE CONTROLLER

M0STAT64Q-1



- Wired programmable local controller for mini-split indoor units with convenient timed schedules for daily operation
- Up to 8 events per day
- Schedule start time, mode, setpoint, and fan speed
- Compatible with all indoor units
- Copy/paste function for easy duplication of events to other days
- Built-in system diagnostics
- Large, back-lit, easy-to-read LCD screen with digital display

BUTTONS AND FUNCTIONS

POWER Button

- Turn system on and off

FAN SPEED Button

- Scroll through fan speeds (Auto - Low - Med - High)

MODE Button

- Use + and - buttons to scroll through available operation modes (Auto / Cool / Dry / Fan / Heat)

PLUS (+) and MINUS (-) Buttons

- Setpoint adjustment (62-86°F)
- Select days of the week when setting a schedule
- Select mode of operation

SWING Button

- Stop or start horizontal (up/down) louver auto swing
- Controls swing oscillation and louver angle in 6° increments

TIMER Button

- Sets current time of day (24 hour clock)
- Setup weekly schedules or to setup timed operation for the indoor unit
- Stop/Stop timed operation

DAY OFF / DEL Button

- Disable specific days/schedules of the week
- Delete a specific event

CONFIRM Button

- Confirms each step when managing schedules

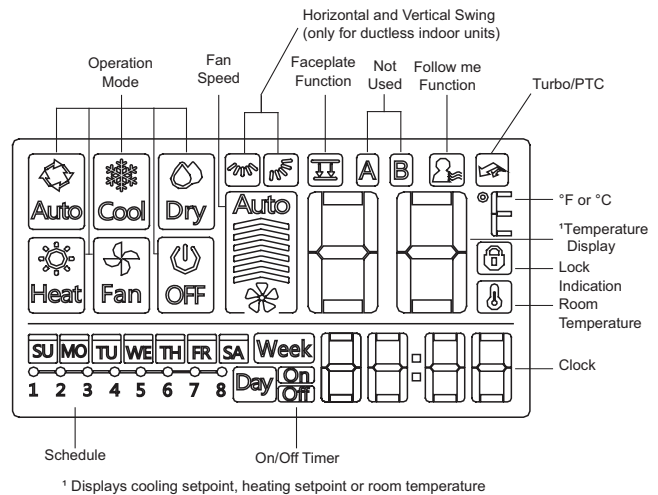
BACK/TURBO Button

- Turbo sets indoor unit fan speed to high for a factory-set time period

COPY/FOLLOW ME Button

- Toggles between room temperature sensing from the indoor unit or the controller

DISPLAY



- Audible tone when a button is pressed (can be disabled)
- Lock function disables buttons to prevent tampering
- Controller uses 4-wire shielded 20 ft. (6 m) cable (furnished) for easy low voltage connection to the indoor unit
- Adaptor cables are furnished for various indoor unit connections

NOTE - Cable for longer lengths must be ordered separately.

NOTE - Maximum cable length is 164 ft. (50 m).

- Hardware for mounting furnished
- Mounts to standard electrical junction box (not furnished)
- Lithium battery furnished
- Power Supply: 5 VDC
- Dimensions (H x W x D): 4-7/8 x 4-3/4 x 3/4 in. (124 x 121 x 19 mm)

OPTIONAL ACCESSORIES

Extension Cable for Wired Programmable Controller

- 20 ft. cable for easy low voltage connection to the indoor unit
- Extends cable to 40 ft. (12 m) length

OPTIONAL ACCESSORIES - ORDER SEPARATELY

OUTDOOR UNITS

Condenser Pad

- Provides permanent foundation for outdoor units
- One-piece lightweight structural foam and molded from high-density polyethylene (HDPE)
- Lightweight, easy to carry and install
- Textured finish provides a non-skid surface so outdoor unit sits securely in one place
- UV stable

Disconnects

- Positive unit disconnect
- Single door enclosure
- Fused and non-fused models available

Fuses

- 30 and 60 amp fuses available

Hail Guards

- Protects outdoor coils on all sides without inhibiting airflow or performance
- Self-tapping screws provided for installation
- Flat shape allows for outdoor units to be placed close together
- Each kit contains all required guards
- Order one hail guard kit per outdoor unit module

Indoor/Outdoor Wiring Cable

- 14-gauge, 4-conductor wire
- THHN (Thermoplastic High Heat-resistant Nylon-coated) wire
- Suitable for wet or dry locations
- Rated up to 600V

Refrigerant Line Sets

- Refrigerant lines are shipped refrigeration clean
- Lines are cleaned, dried, pressurized and sealed at factory

Wall Brackets

- Heavy duty 1/8 in. thick steel brackets for supporting outdoor units
- Mount at any height to allow for easy maintenance under units
- Pre-punched holes for easy installation
- Powder coated gray finish
- Load rating 600 lbs. per pair

Whips

- Heavy duty electrical whips are available in 8 and 10 gauge sizes
- 6 ft. lengths
- Weatherproof metal conduit

INDOOR UNITS

Condensate Pumps

- Quietly and efficiently removes condensate
- See Optional Accessories Table for available pumps

A/C Easy Tee® Condensate Cleanout

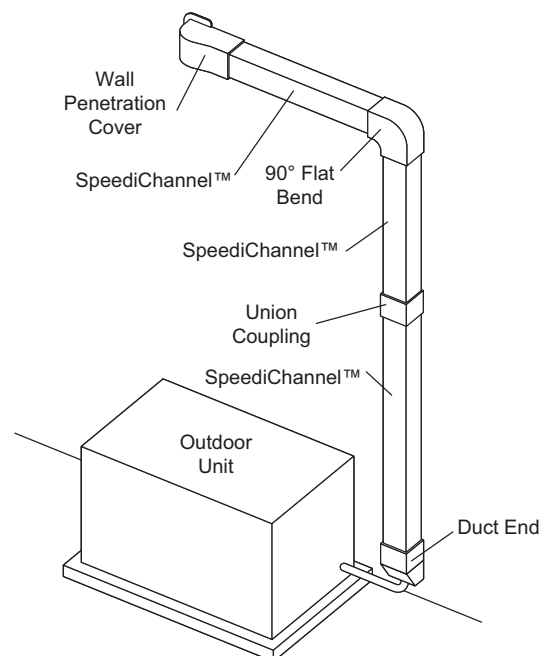
- Condensate drain service port
- Flexible and easy to use with nitrogen, water or shop vac
- Screw cap on top allows easy access to condensate drain line

SPEEDICHANNEL™ SYSTEM



- SpeediChannel™ is a channel system covers system line sets
- Two-part system has a base and a cover
- Base is fastened to a wall or ceiling with plastic clips (SpeediClip™) that snap into a channel already molded into the base
- Cover fits on top of the base
- Manufactured from rigid PVC, which is UL rated and resistant to UV light
- System is a natural color that closely matches typical mini-split outdoor units
- Can be painted as desired to match any wall color

Typical Application



OPTIONAL ACCESORIES - ORDER SEPARATELY

SPEEDICHANNEL™ SYSTEM (continued)

SpeediChannel™ Starter Kit

- The starter kit includes (1) Coupling, (1) Wall Penetration, (1) Inside Elbow, (1) Long Radius Flat Bend, (10) Speediclips™, (10) 11 in. Cable Ties, and (1) SpeediChannel Instruction Booklet

Duct End

- Duct Ends are used to terminate a run of SpeediChannel™ to a small opening just large enough for the line set and condensate drain line to pass through



Flat Wall Escutcheon

- Flat Wall Escutcheons are used to cover a rough opening in a soffit, wall, or ceiling penetration



- One side of the escutcheon is flat to allow for a SpeediChannel™ to run along a wall and to penetrate through an adjacent wall or ceiling
- This is the most common type of wall penetration
- Furnished in two parts, the escutcheon easily snaps onto the SpeediChannel™

Flex Joint

- A Flex Joint is an accordion-style piece of SpeediChannel™
- The flex joint can be extremely flexible when routing a SpeediChannel™ system around an obstacle
- Each joint is 20 in. long and can be combined together for longer flex runs
- The flex joint does not require the use of a union coupling
- The flex joint slides tightly inside the SpeediChannel™ system

T-Joint

- T-Joints are used for creating a tee connection between three pieces of SpeediChannel™
- Each tee is individually packed and furnished with stainless steel screws



Union Coupling

- Union Couplings are used for joining two pieces of SpeediChannel™
- Each coupling is individually packed and furnished with stainless steel screws



Wall Penetration Cover

- Wall penetration covers are used to transition from the SpeediChannel™ system to a through wall penetration
- Wall covers are designed to allow for easy installation, even after the line set has been installed
- A hooking and fastening arrangement allows for quick installation
- Each wall cover is individually packed, and furnished with stainless steel screws to attach the wall cover to the base
- Three screws are necessary to fasten the wall cover to the wall construction, regardless of the type of installed system



45° and 90° Flat Bend Elbows

- 45° Flat Bends are used to route the SpeediChannel™ around obstacles
- Each bend is individually packed and furnished with stainless steel screws



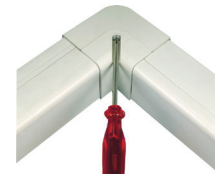
45°



90°

90° Inside Elbow

- 90° Inside Elbows are used to route the SpeediChannel™ around an inside corner
- Each elbow is individually packed and furnished with stainless steel screws



Mount Block White Qty. (2) 14 in. and (2) 36 in.

- Mount Blocks are used as mounting bases when outdoor units must be bolted down
- End caps (for aesthetics) come furnished with mounting bolts
- Maximum load capacity is 900 pounds per mounting block
- Installation temperatures range from -4°F to 140°F
- Mount blocks fit all mini-split outdoor units with a sliding rail feature



SPECIFICATIONS - MPB OUTDOOR UNITS
0.75 TON | 1.5 TON

Nominal Size - Tons		0.75	1	1.5	
Outdoor Unit Model No.		MPB009S4S	MPB012S4S	MPB018S4S	
Ambient Temperature Operating Range - °F	Cooling	-13 - 122	-13 - 122	-13 - 122	
	Heating	-13 - 86	-13 - 86	-13 - 86	
Energy Star		Yes	Yes	Yes	
Sound Data (dBA)	Cooling/Heating (115V)	---	52.5	---	
	Cooling/Heating (208/230V)	55	55	60	
Refrigerant (R-410A)	Charge furnished (115V)	---	2 lbs. 12 oz.	---	
	Charge furnished (208/230V)	2 lbs. 7 oz.	2 lbs. 9 oz.	4 lbs. 5 oz.	
Maximum line length with furnished charge - ft.		25	25	25	
Additional charge required per ft. - oz.		0.16	0.16	0.16	
Compressor	No. and Type	(1) Rotary	(1) Rotary	(1) Rotary	
	Refrigerant oil type	Ester Oil VG74	Ester Oil VG74	Ester Oil VG74	
	Refrigerant oil charge - oz.	12.5	12.5	15.2	
Connections - in.	Liquid/Gas pipe (flare)	1/4 / 3/8	1/4 / 1/2	1/4 / 1/2	
	Maximum refrigerant pipe length - ft.	82	82	98	
	Max. difference in level of indoor unit - ft.	33	33	66	
Outdoor Fan	(No.) Diameter - in.	(1) 17	(1) 17	(1) 19	
	Total air volume - cfm	1200	1200	1470	
	rpm	800/750/650	800/700/650	850/750/700	
Outdoor Coil	Number of rows	2	2	3	
	Fins per inch	18	21	18	
	Fin type	Hydrophilic aluminium			
	Tube outside diameter - in.	5/16	5/16	5/16	
	Tube type	Rifled copper tubing			
	Net face area - ft. ² (115V)	---	4.66	---	
	Net face area - ft. ² (208/230V)	4.09	4.66	5.19	
	Application area - sq. ft.	130 - 195	170 - 250	260 - 375	
Design Pressure	PSIG	550/340	550/340	550/340	
Shipping Data	Net/Shipping weight (lbs.) (115V)	---	80 / 86	---	
	(208/230V)	62 / 67	77 / 83	107 / 113	
ELECTRICAL DATA					
Electrical Characteristics - 60 Hz - 1 Phase		208/230V	115V	208/230V	208/230V
¹ Maximum Overcurrent Protection (amps)		15	20	15	20
² Minimum circuit ampacity		10	15	12	15
Compressor Rated load amps		5.5	9	6.8	10.5
Outdoor Fan Motor	Rated load amps	0.4	0.6	0.4	0.6
	Output - W	40	40	40	50

NOTE - Extremes of operating range are plus and minus 10% of line voltage.

¹ HACR type circuit breaker or fuse.

² Refer to National or Canadian Electrical Code manual to determine wire, fuse and disconnect size requirements.

SPECIFICATIONS - MPB OUTDOOR UNITS
2 TON | 4 TON


Nominal Size - Tons		2	2.5	3	4
Outdoor Unit Model No.		MPB024S4S	MPB030S4S	MPB036S4S	MPB048S4S
Ambient Temperature Operating Range - °F	Cooling	-13 - 122	-13 - 122	-13 - 122	-13 - 122
	Heating	-13 - 86	-13 - 86	-13 - 86	-13 - 86
Energy Star		Yes	No	No	No
Sound Data (dBA)	Cooling/Heating	61	59	66	62.5
Refrigerant (R-410A)	Charge furnished	5 lbs. 3 oz.	5 lbs. 11 oz.	6 lbs. 12 oz.	9 lbs. 4 oz.
	Maximum line length with furnished charge - ft.	25	25	25	25
	Additional charge required per ft. - oz.	0.32	0.32	0.32	0.32
Compressor	No. and Type	(1) Rotary	(1) Rotary	Twin-Rotary	Twin-Rotary
	Refrigerant oil type	POE Oil VG74	POE Oil VG74	POE Oil VG74	Ester Oil VG74
	Refrigerant oil charge - oz.	22.7	22.7	33.8	47.3
Connections - in.	Liquid/Gas pipe (flare)	3/8 / 5/8	3/8 / 5/8	3/8 / 5/8	3/8 / 5/8
	Maximum refrigerant pipe length - ft.	164	164	213	213
	Max. difference in level of indoor unit - ft.	82	82	98	98
Outdoor Fan(s)	(No.) Diameter - in.	(1) 20	(1) 20	(1) 20	(2) 22
	Total air volume - cfm	2235	2130	2530	4470
	rpm	810/700/500	810/700/500	950	(2) 900
Outdoor Coil	Number of rows	2.6	2.6	2	2
	Fins per inch	18	18	19	18
	Fin type	Hydrophilic aluminium			
	Tube outside diameter - in.	5/16	5/16	3/8	3/8
	Tube type	Rifled copper tubing			
	Net face area - ft. ²	8.24	8.24	8.24	6.43 (inner coil) / 6.97 (outer coil)
	Application area - sq. ft.	345 - 505	430 - 630	515 - 755	690 - 1010
Design Pressure	PSIG	550/340	550/340	550/340	550/340
Shipping Data	Net/Shipping weight (lbs.)	137 / 149	149 / 161	149 / 161	218 / 246
ELECTRICAL DATA					
Electrical Characteristics - 60 Hz - 1 Phase		208/230V	208/230V	208/230V	208/230V
¹ Maximum Overcurrent Protection (amps)		25	30	50	50
² Minimum circuit ampacity		18	20	30	35
Compressor Rated load amps		12	15	22	23.5
Outdoor Fan Motor	Rated load amps	0.6	0.6	1.0	(2) 0.39
	Output - W	120	120	120	(2) 85

NOTE - Extremes of operating range are plus and minus 10% of line voltage.

¹ HACR type circuit breaker or fuse.

² Refer to National or Canadian Electrical Code manual to determine wire, fuse and disconnect size requirements.

SPECIFICATIONS - WALL-MOUNTED INDOOR UNITS

		Model No.	MWMA009S4	MWMB012S4	MWMA012S4
				Nominal Tons	0.75
Power Supply - 60 hz - 1 phase			208/230V	115V	208/230V
Rated load amps			0.2	0.25	0.2
Output (W)			20	20	20
Room Temperature Range (°F)	Cooling		62 - 90	62 - 90	62 - 90
	Heating		32 - 86	32 - 86	32 - 86
Air Volume - cfm (High/Medium/Low)			370/270/195	365/265/195	370/275/200
Sound Data (dBA) - Low/Medium/High			26.5/33.4/41.7	24/33/42	28.6/35.8/45.1
Piping Connections - Liquid/Gas - o.d. - flare - in.			1/4 / 3/8	1/4 / 1/2	1/4 / 1/2
Drain connection o.d. - in.			1	1	1
Net/Shipping weights - lbs.			20 / 26	20 / 26	20 / 27

SPECIFICATIONS - WALL-MOUNTED INDOOR UNITS

		Model No.	MWMA018S4	MWMA024S4	MWMB030S4
				Nominal Tons	1.5
Power Supply - 60 hz - 1 phase			208/230V	208/230V	208/230V
Rated load amps			0.4	0.5	0.5
Output (W)			58	60	60
Room Temperature Range (°F)	Cooling		62 - 90	62 - 90	62 - 90
	Heating		32 - 86	32 - 86	32 - 86
Air Volume - cfm (High/Medium/Low)			530/410/295	695/625/485	795/645/500
Sound Data (dBA) - Low/Medium/High			30.9/36.3/46.2	35.1/44.5/51.7	37.5/42/49
Piping Connections - Liquid/Gas - o.d. - flare - in.			1/4 / 1/2	3/8 / 5/8	3/8 / 5/8
Drain connection o.d. - in.			1	1	1
Net/Shipping weights - lbs.			27 / 35	40 / 54	40 / 51

SPECIFICATIONS - CASSETTE INDOOR UNITS



Model No.	M22A009S4	M22A012S4	M22A018S4
Nominal Tons	0.75	1	1.5
Power Supply - 60 hz - 1 phase	208/230V	208/230V	208/230V
Rated load amps	0.9	1.0	1.5
Output (W)	46	46	46
Room Temperature Range (°F)	Cooling	62 - 90	62 - 90
	Heating	32 - 86	32 - 86
Air Volume - cfm (High/Medium/Low)	375/300/255	380/310/260	560/485/415
Sound Data (dBA) - Low/Medium/High	33/37/41	36/39/43	36/39/44
Piping Connections - Liquid/Gas - o.d. - flare - in.	1/4 / 3/8	1/4 / 1/2	1/4 / 1/2
Drain connection o.d. - in.	1	1	1
Net/Shipping weights - lbs. Body	32 / 38	36 / 41	36 / 42

REQUIRED COMPONENTS - ORDERED SEPARATELY

Cassette Panel	13X04 (M0STAT62Q-1)	13X04 (M0STAT62Q-1)	13X04 (M0STAT62Q-1)
Net/Shipping weights - lbs.	6 / 10	6 / 10	6 / 10

SPECIFICATIONS - CASSETTE INDOOR UNITS

Model No.	M33A024S4	M33A036S4	M33B048S4
Nominal Tons	2	3	4
Power Supply - 60 hz - 1 phase	208/230V	208/230V	208/230V
Rated load amps	1.5	1.5	1.6
Output (W)	42	124	170
Room Temperature Range (°F)	Cooling	62 - 90	62 - 90
	Heating	32 - 86	32 - 86
Air Volume - cfm (High/Medium/Low)	700/635/575	1095/960/810	1175/1030/855
Sound Data (dBA) - Low/Medium/High	43/47/51	49/52/55	49/52/55
Piping Connections - Liquid/Gas - o.d. - flare - in.	3/8 / 5/8	3/8 / 5/8	3/8 / 5/8
Drain connection o.d. - in.	1-1/4	1-1/4	1-1/4
Net/Shipping weights - lbs. Body	47 / 55	58 / 66	64 / 73

REQUIRED COMPONENTS - ORDERED SEPARATELY

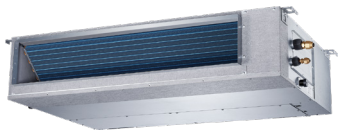
Cassette Panel	13X05 (M0STAT63Q-1)	13X05 (M0STAT63Q-1)	13X05 (M0STAT63Q-1)
Net/Shipping weights - lbs.	12 / 18	12 / 18	12 / 18

SPECIFICATIONS - CEILING/FLOOR MOUNT INDOOR UNITS



	Model No.	MCFB018S4	MCFA024S4	MCFA036S4	MCFA048S4
	Nominal Tons	1.5	2	3	4
Power Supply - 60 hz - 1 phase		208/230V	208/230V	208/230V	208/230V
	Rated load amps	1.5	1.5	1.5	1.8
	Output (W)	55	55	115	(2) 90
Room Temperature Range (°F)	Cooling	62 - 90	62 - 90	62 - 90	62 - 90
	Heating	32 - 86	32 - 86	32 - 86	32 - 86
	Air Volume - cfm (High/Medium/Low)	580/520/465	760/710/600	1035/915/640	1350/1120/1000
	Sound Data (dBA) - Low/Medium/High	39/44/47	42/48/53	43/49/54	52/54/57
	Piping Connections - Liquid/Gas - o.d. - flare - in.	1/4 / 1/2	3/8 / 5/8	3/8 / 5/8	3/8 / 5/8
	Drain connection o.d. - in.	1	1	1	1
	Net/Shipping weights - lbs.	55 / 66	59 / 70	69 / 82	84 / 97

SPECIFICATIONS - MEDIUM STATIC DUCTED INDOOR UNITS



Model No.	MMDB009S4	MMDB012S4	MMDB018S4
Nominal Tons	0.75	1	1.5
Power Supply - 60 hz - 1 phase	208/230V	208/230V	208/230V
Rated load amps	0.9	1.0	1.2
Output (W)	55	55	160
Room Temperature Range (°F)	Cooling	62 - 90	62 - 90
	Heating	32 - 86	32 - 86
Air Volume - cfm (High/Medium/Low)	340/270/165	340/270/165	505/430/350
External Static Pressure (in. w.g)	0 - 0.16	0 - 0.16	0 - 0.40
Sound Data (dBA) - Low/Medium/High	25/32/38	26/33.5/38	35/37/39
Piping Connections - Liquid/Gas - o.d. - flare - in.	1/4 / 3/8	1/4 / 1/2	1/4 / 1/2
Drain connection o.d. - in.	1	1	1
Net/Shipping weights - lbs.	38 / 49	38 / 49	54 / 66

SPECIFICATIONS - MEDIUM STATIC DUCTED INDOOR UNITS

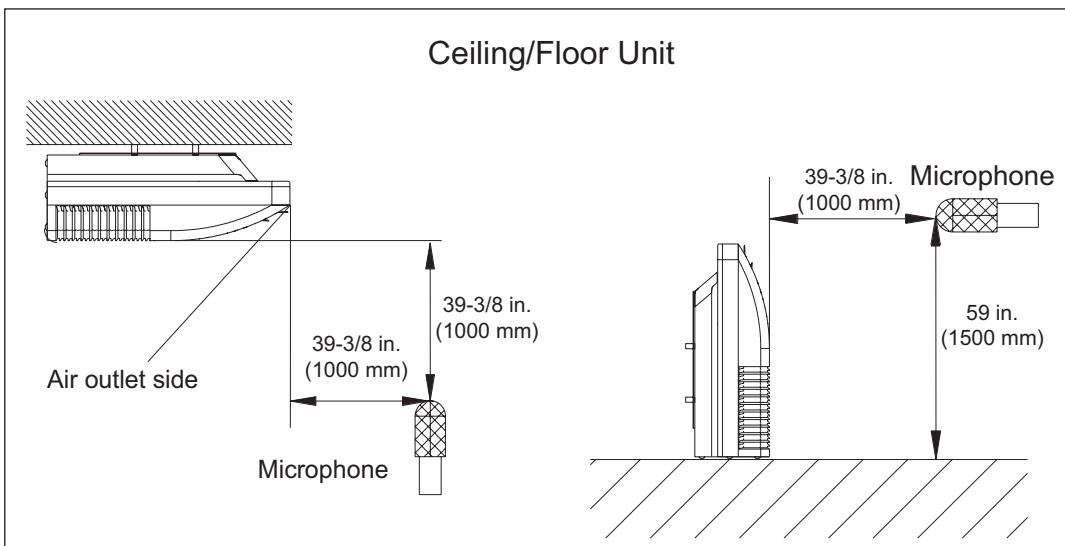
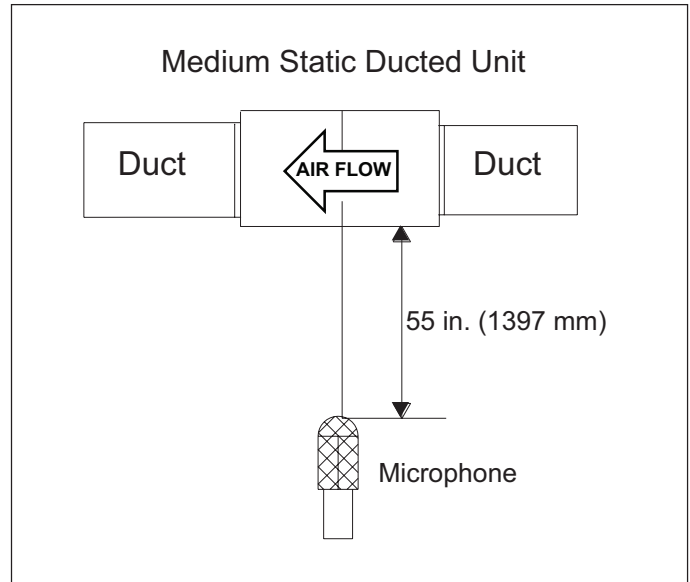
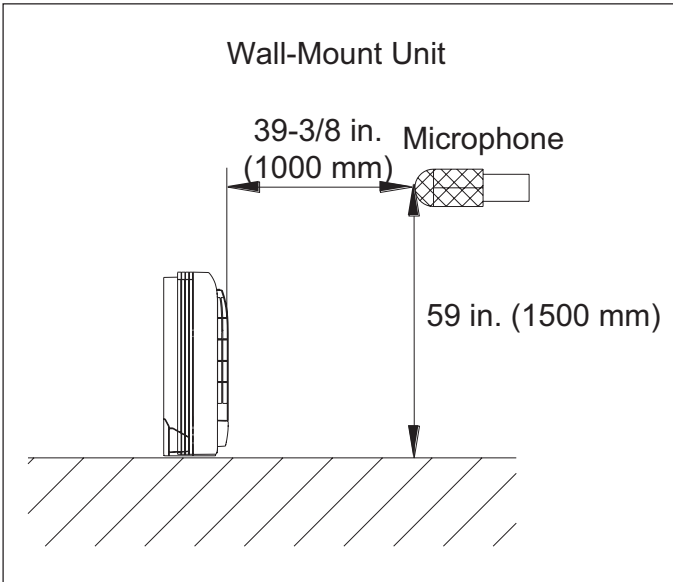
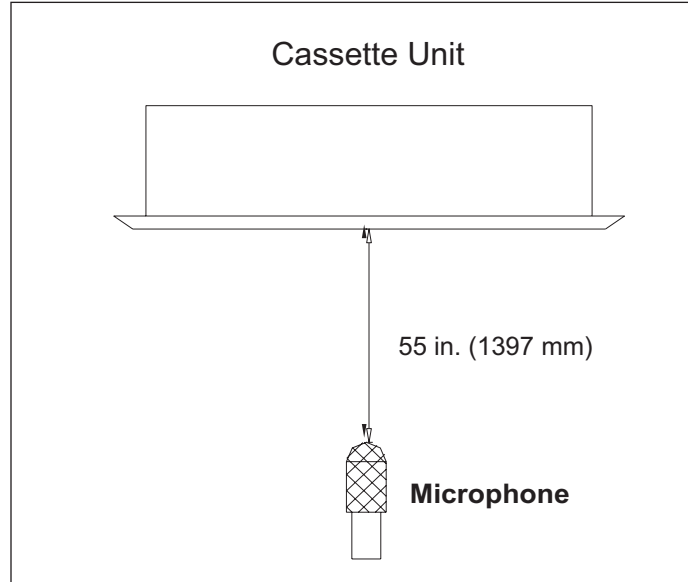
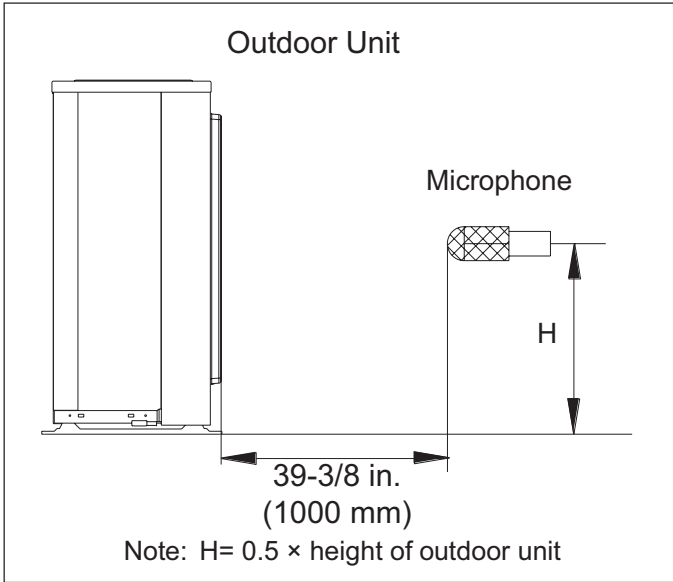
Model No.	MMDB024S4	MMDB036S4	MMDB048S4
Nominal Tons	2	3	4
Power Supply - 60 hz - 1 phase	208/230V	208/230V	208/230V
Rated load amps	1.5	2.45	4.1
Output (W)	160	300	560
Room Temperature Range (°F)	Cooling	62 - 90	62 - 90
	Heating	32 - 86	32 - 86
Air Volume - cfm (High/Medium/Low)	735/660/415	1025/865/670	1230/1030/715
External Static Pressure (in. w.g)	0 - 0.64	0 - 0.64	0 - 0.64
Sound Data (dBA) - Low/Medium/High	36/41/44	39/42.5/45.5	46/48.5/50.5
Piping Connections - Liquid/Gas - o.d. - flare - in.	3/8 / 5/8	3/8 / 5/8	3/8 / 5/8
Drain connection o.d. - in.	1	1	1
Net/Shipping weights - lbs.	87 / 103	106 / 122	120 / 142

OPTIONAL ACCESSORIES - ORDER SEPARATELY

Description	Catalog No.	Size							
		09	12	18	24	30	36	48	
OUTDOOR UNIT									
Condenser Pad (18 x 38 x 3)	Y5014	•	•	•	•	•	•	•	
Disconnects	30 amp, fused, 1 ph	27P37	•	•	•	•	•	•	
	60 amp, non-fused, 1 ph	27P39	•	•	•	•	•	•	
Fuses	30A	83P75	•	•	•	•	•	•	
	60A	83P77	•	•	•	•	•	•	
Hail Guards	M9GARD14Q-1	15D25	•	•	N/A				
	M9GARD19Q-1	15D32	•	N/A	N/A				
	M9GARD15Q-1	15D26	N/A		•	N/A			
	M9GARD17Q-1	15D28	N/A		•	•	•	N/A	
	M9GARD18Q-1	15D29	N/A						•
Line Sets	1/4 in. x 3/8 in. x 25 ft.	90X53	•	N/A					
	1/4 in. x 3/8 in. x 50 ft.	X0258	•	N/A					
	1/4 in. x 1/2 in. x 25 ft.	90X52	N/A	•	•	N/A			
	1/4 in. x 1/2 in. x 50 ft.	X0259	N/A	•	•	N/A			
	3/8 in. x 5/8 in. x 25 ft.	X8406	N/A		•	•	•	•	
	3/8 in. x 5/8 in. x 50 ft.	X8407	N/A		•	•	•	•	
Wall Brackets	30 inch	X1727	•	•	•	•	N/A		
	36 inch	X1728	N/A				•	•	•
Whips	10 Gauge - 1/2 in. x 6 ft.	29P54	•	•	•	•	•	•	
	8 Gauge - 3/4 in. x 6 ft.	27P44	•	•	•	•	•	•	
INDOOR UNIT									
¹ Diversitech Condensate Pumps with Reservoir	ClearVue Mini™ - 7.9 US gallons per hour, 35 ft. lift - 120/240V	Y5170	•	•	•	•	•	•	
	Mini-Split Pump - 4 US gallons per hour, 20 ft. lift - 115V	Y7946	N/A	•	N/A				
	Mini-Split Pump - 4 US gallons per hour, 20 ft. lift - 230V	Y7949	•	•	•	•	•	•	
¹ Blue Diamond® Condensate Pumps with Reservoir	MicroBlue® - 1.3 US gallons per hour, 6 ft. lift - 110v-230V	14T74	•	•	•	N/A			
	MaxiBlue® - 3.7 US gallons per hour, 16.5 ft. lift - 208-230V	14T69	N/A		•	•	•	N/A	
	MegaBlue® - 13.2 US gallons per hour, 23 ft. lift - 110v-230V	14T71	N/A						•
	MultiTank Kit	14T75	N/A		•	•	•	•	
	Sensor Cable Extension - 16 ft.	14T76	•	•	•	•	•	•	
A/C Easy Tee® Condensate Cleanout	Y7947	•	•	•	•	•	•	•	
CONTROLS									
Wired Remote Controller (Furnished With All Ducted Models)	M0STAT61Q-1	14A66	•	•	•	•	•	•	
Extension Cable for Wired Remote Controller - 20 ft.		Y8008	•	•	•	•	•	•	
NOTE - The Wired Remote Controller above is furnished as standard with the indoor ducted models. As an option, the Wired Remote Controller can be ordered for a wall-mount, cassette or ceiling/floor mount unit if desired.									
Wired Programmable Controller	M0STAT64Q-1	15D30	•	•	•	•	•	•	
Extension Cable for Wired Programmable Controller - 20 ft.	M0CTRL64Q-1	Y8738	•	•	•	•	•	•	
Indoor/Outdoor Wiring Cable - 14 Gauge, 4 conductor wire, THHN, 250 ft.		Y2067	•	•	•	•	•	•	
SPEEDICHANNEL™ SYSTEM									
SpeediChannel™ Starter Kit - 4 in.		Y3387	•	•	•	•	•	•	
SpeediChannel - 4 in. x 6-1/2 ft. (qty. 6)		Y3388	•	•	•	•	•	•	
Union Coupling - 4 in.		Y3389	•	•	•	•	•	•	
90° Flat Bend Elbow - 4 in.		Y3390	•	•	•	•	•	•	
90° Inside Elbow - 4 in.		Y3391	•	•	•	•	•	•	
45° Flat Bend Elbow - 4 in.		Y3392	•	•	•	•	•	•	
Flex Joint - 4 in.		Y3393	•	•	•	•	•	•	
T-Joint - 4 in.		Y3394	•	•	•	•	•	•	
Duct End - 4 in.		Y3395	•	•	•	•	•	•	
Flat Wall Escutcheon - 4 in.		Y3396	•	•	•	•	•	•	
Wall Penetration Cover - 4 in.		Y3399	•	•	•	•	•	•	
Mount Block (White) Qty, 2 - 14 in.		Y3397	•	•	•	•	•	•	
Mount Block (White) Qty, 2 - 36 in.		Y3398	•	•	•	•	•	•	

¹ Y7946, Y7949 and 14T74 condensate pumps can be installed inside the indoor units. All other pumps must be installed external to the indoor unit.

SOUND LEVELS - TEST CONDITIONS



AHRI SYSTEM MATCHES

Indoor Unit Type	Outdoor Unit	Indoor Unit	Cooling Capacity	SEER	EER	Heat Capacity		HSPF (IV)	AHRI Reference
						High	Low		
Wall-Mounted Non-Ducted	MPB012S4S-1L	MWMB012S4-1L	12,000	22.0	13.0	12,000	7,600	10.2	10056168
	MPB012S4S-1L	MWMB012S4-2L	12,000	22.0	13.0	12,000	7,600	10.2	201796629
	MPB009S4S-1P	MWMA009S4-2P	9,000	23.5	14.9	9,800	5,800	10.8	10056170
	MPB009S4S-1P	MWMA009S4-3P	9,000	23.5	14.9	9,800	5,800	10.8	201796630
	MPB012S4S-1P	MWMA012S4-2P	12,000	22.7	13.7	12,000	7,700	11	10056172
	MPB012S4S-1P	MWMA012S4-3P	12,000	22.7	13.7	12,000	7,700	11	201796631
	MPB018S4S-1P	MWMA018S4-2P	18,000	21.0	13.0	18,000	11,400	10.4	10056174
	MPB024S4S-1P	MWMA024S4-2P	24,000	20.7	13.7	25,000	15,300	11.5	10056176
	MPB030S4S-1P	MWMB030S4-1P	30,000	19.8	11.5	30,000	18,500	9.4	10056177
Cassette Non-Ducted	MPB009S4S-1P	M22A009S4-1P	9,000	20.0	13.0	10,000	5,800	10.5	10058830
	MPB009S4S-1P	M22A009S4-2P	9,000	20.0	13.0	10,000	5,800	10.5	10058831
	MPB012S4S-1P	M22A012S4-1P	12,000	21.5	14.0	12,000	7,500	10.5	10058832
	MPB012S4S-1P	M22A012S4-2P	12,000	21.5	14.0	12,000	7,500	10.5	10058833
	MPB018S4S-1P	M22A018S4-1P	18,000	20.0	12.5	18,000	12,000	10.3	10058834
	MPB018S4S-1P	M22A018S4-2P	18,000	20.0	12.5	18,000	12,000	10.3	10058835
	MPB024S4S-1P	M33A024S4-1P	24,000	20.0	12.5	24,400	15,800	10.5	10058836
	MPB024S4S-1P	M33A024S4-2P	24,000	20.0	12.5	24,400	15,800	10.5	10058837
	MPB036S4S-1P	M33A036S4-1P	36,000	17.5	9.0	38,000	25,200	10.5	10058838
	MPB048S4S-1P	M33B048S4-1P	48,000	16.8	9.5	50,000	35,000	11	10058839
Ceiling/Floor Mount Non-Ducted	MPB018S4S-1P	MCFB018S4-2P	18,000	20.0	12.5	18,000	12,000	10.5	10058825
	MPB024S4S-1P	MCFA024S4-1P	24,000	20.0	12.5	24,000	15,000	11	10058826
	MPB024S4S-1P	MCFA024S4-2P	24,000	20.0	12.5	24,000	15,000	11	10058827
	MPB036S4S-1P	MCFA036S4-1P	36,000	16.0	8.0	38,000	25,400	10	10058828
	MPB048S4S-1P	MCFA048S4-1P	48,000	17.8	9.3	50,000	35,000	11	10058829
Medium Static Ducted	MPB009S4S-1P	MMDB009S4-2P	9,000	20.50	13.5	10,000	6,800	11.50	10528563
	MPB012S4S-1P	MMDB012S4-2P	12,000	21.50	12.5	12,000	7,200	11.50	10528564
	MPB018S4S-1P	MMDB018S4-2P	18,000	19.00	12.5	18,000	12,000	10.50	10528565
	MPB024S4S-1P	MMDB024S4-2P	24,000	21.50	12.5	24,400	16,000	11.00	10528566
	MPB036S4S-1P	MMDB036S4-1P	36,000	16.50	9.0	40,000	27,600	11.50	10528567
	MPB048S4S-1P	MMDB048S4-1P	48,000	17.40	9.2	49,500	33,400	10.30	10528568

Ratings are AHRI certified to AHRI Standard 210/240-2008;

- Cooling Ratings - 80°F dry bulb/67°F wet bulb entering indoor coil air and 95°F wet bulb/75°F dry bulb outdoor air temperature.
- High Temperature Heating Ratings - 70°F dry bulb/60°F wet bulb entering indoor coil air and 47°F dry bulb/43°F wet bulb outdoor air temperature.
- Low Temperature Heating Ratings - 70°F dry bulb/60°F wet bulb entering indoor coil air and 17°F dry bulb/15°F wet bulb outdoor air temperature.

To convert HSPF from Region IV to Region V - Divide by 1.15.

COOLING CAPACITY - 009 (208/230V)

Outdoor Temperature - °F (Dry Bulb)	Indoor Temperature - °F (Dry Bulb / Wet Bulb)							
	65°F / 54°F		70°F / 59°F		75°F / 63°F		80°F / 67°F	
	Total mBtuh	Sensible mBtuh	Total mBtuh	Sensible mBtuh	Total mBtuh	Sensible mBtuh	Total mBtuh	Sensible mBtuh
-13	7.38	5.82	7.61	6.00	7.80	6.15	8.01	6.32
-5	7.62	5.97	7.85	6.16	8.05	6.31	8.25	6.47
-4	7.68	6.02	7.91	6.21	8.11	6.36	8.31	6.52
0	8.03	6.34	8.28	6.54	8.49	6.70	8.72	6.88
5	8.11	6.48	8.36	6.68	8.57	6.85	8.82	7.05
15	8.22	6.48	8.47	6.68	8.68	6.84	8.96	7.06
25	8.47	6.62	8.73	6.82	8.95	6.99	9.24	7.22
35	8.54	6.75	8.80	6.96	9.02	7.13	9.33	7.38
45	8.62	6.83	8.88	7.04	9.11	7.22	9.43	7.48
55	8.61	6.92	8.88	7.13	9.10	7.31	9.49	7.63
65	8.91	7.27	9.18	7.49	9.41	7.68	9.88	8.06
75	9.29	7.49	9.58	7.72	9.82	7.91	10.33	8.32
85	9.37	7.51	9.62	7.74	9.70	7.83	10.98	8.68
95	9.68	7.54	9.98	7.86	10.23	7.94	12.03	9.74
105	8.98	7.28	9.26	7.40	9.49	7.59	11.29	9.03
110	8.53	7.20	8.79	7.23	9.00	7.31	10.73	8.97
115	8.03	6.83	8.28	7.05	8.49	7.03	10.29	8.63
122	7.78	6.20	8.02	6.62	8.22	6.60	10.02	8.27

HEATING CAPACITY - 009 (208/230V)

Outdoor Temperature - °F (Dry Bulb)	Indoor Temperature - °F (Dry Bulb)			
	60°F	65°F	70°F	75°F
	Total mBtuh	Total mBtuh	Total mBtuh	Total mBtuh
-13	7.37	6.52	5.67	4.82
-5	8.55	7.69	6.84	5.99
0	8.84	7.99	7.14	6.29
5	9.69	8.84	7.99	7.14
17	9.98	9.13	8.28	7.43
19.4	10.31	9.46	8.60	7.75
24.8	11.60	10.75	9.90	9.05
32	12.16	11.30	10.45	9.60
35	12.28	11.43	10.58	9.72
39.2	12.43	11.58	10.73	9.88
44.6	12.58	11.73	10.88	10.03
47	15.06	14.21	13.36	12.51
53.6	15.21	14.36	13.51	12.66
57	15.36	14.51	13.66	12.81

COOLING CAPACITY - 012 (115V)

Outdoor Temperature - °F (Dry Bulb)	Indoor Temperature - °F (Dry Bulb / Wet Bulb)							
	65°F / 54°F		70°F / 59°F		75°F / 63°F		80°F / 67°F	
	Total mBtuh	Sensible mBtuh	Total mBtuh	Sensible mBtuh	Total mBtuh	Sensible mBtuh	Total mBtuh	Sensible mBtuh
-13	9.38	6.81	9.67	7.02	9.91	7.19	10.18	7.39
-5	9.80	7.03	10.10	7.25	10.35	7.43	10.61	7.61
-4	9.85	7.07	10.15	7.28	10.40	7.47	10.66	7.65
0	10.15	7.33	10.46	7.56	10.72	7.74	11.02	7.95
5	10.24	7.37	10.55	7.60	10.82	7.79	11.14	8.02
15	10.28	7.40	10.60	7.62	10.87	7.81	11.21	8.06
25	10.32	7.51	10.64	7.74	10.90	7.93	11.26	8.19
35	10.35	7.51	10.67	7.74	10.94	7.93	11.32	8.21
45	10.40	7.64	10.72	7.87	10.99	8.07	11.39	8.36
55	10.57	7.67	10.89	7.90	11.17	8.10	11.66	8.45
65	10.62	7.72	10.95	7.96	11.22	8.15	11.78	8.55
75	10.70	7.88	11.03	8.12	11.31	8.33	11.90	8.75
85	10.42	7.64	10.74	7.88	11.01	8.08	12.22	8.95
95	10.02	7.25	10.33	7.48	10.59	7.67	12.45	9.01
105	8.85	7.19	9.12	7.42	9.35	7.60	11.13	9.04
110	8.20	6.82	8.66	7.04	8.97	7.33	10.56	8.39
115	7.70	6.02	7.94	6.18	8.13	6.30	9.86	7.43
122	7.21	5.10	7.44	5.26	7.62	5.39	9.30	6.87

HEATING CAPACITY - 012 (115V)

Outdoor Temperature - °F (Dry Bulb)	Indoor Temperature - °F (Dry Bulb)			
	60°F	65°F	70°F	75°F
	Total mBtuh	Total mBtuh	Total mBtuh	Total mBtuh
-13	6.30	5.45	4.59	3.74
-5	7.15	6.30	5.45	4.59
0	7.74	6.89	6.04	5.19
5	8.60	7.74	6.89	6.04
17	9.98	9.13	8.28	7.43
19.4	10.31	9.46	8.60	7.75
24.8	11.60	10.75	9.90	9.05
32	12.16	11.30	10.45	9.60
35	12.28	11.43	10.58	9.72
39.2	12.43	11.58	10.73	9.88
44.6	12.58	11.73	10.88	10.03
47	14.51	13.66	12.81	11.95
53.6	14.66	13.81	12.96	12.10
57	14.81	13.96	13.11	12.26

COOLING CAPACITY - 012 (208/230V)

Outdoor Temperature - °F (Dry Bulb)	Indoor Temperature - °F (Dry Bulb / Wet Bulb)							
	65°F / 54°F		70°F / 59°F		75°F / 63°F		80°F / 67°F	
	Total mBtuh	Sensible mBtuh	Total mBtuh	Sensible mBtuh	Total mBtuh	Sensible mBtuh	Total mBtuh	Sensible mBtuh
-13	10.19	7.84	10.51	8.08	10.77	8.29	11.07	8.51
-5	10.47	8.13	10.79	8.38	11.06	8.59	11.34	8.81
-4	10.49	8.16	10.81	8.41	11.08	8.62	11.36	8.83
0	10.75	8.38	11.09	8.64	11.36	8.86	11.67	9.10
5	11.10	8.88	11.44	9.16	11.73	9.38	12.08	9.66
15	11.13	8.93	11.47	9.20	11.76	9.43	12.13	9.73
25	11.15	8.97	11.49	9.25	11.78	9.48	12.17	9.79
35	11.31	9.01	11.66	9.29	11.95	9.52	12.37	9.85
45	11.37	9.21	11.72	9.50	12.01	9.74	12.44	10.08
55	11.25	9.11	11.69	9.48	11.98	9.62	12.41	10.03
65	11.24	9.10	11.59	9.38	11.88	9.61	12.47	10.08
75	11.18	9.04	11.53	9.32	11.81	9.55	12.53	10.13
85	10.82	8.70	11.16	8.97	11.44	9.19	12.68	10.19
95	10.25	8.26	10.56	8.51	10.83	8.72	12.73	10.25
105	9.48	7.92	9.78	8.08	10.02	8.30	11.92	9.81
110	8.92	7.33	9.20	7.69	9.43	8.01	11.36	9.15
115	8.46	6.84	8.72	7.01	8.93	7.32	10.83	8.82
122	8.04	6.37	8.29	6.61	8.49	7.02	10.36	8.27

HEATING CAPACITY - 012 (208/230V)

Outdoor Temperature - °F (Dry Bulb)	Indoor Temperature - °F (Dry Bulb)			
	60°F	65°F	70°F	75°F
	Total mBtuh	Total mBtuh	Total mBtuh	Total mBtuh
-13	8.02	7.17	6.32	5.46
-5	9.49	8.63	7.78	6.93
0	9.99	9.13	8.28	7.43
5	10.84	9.99	9.13	8.28
17	11.63	10.78	9.93	9.08
19.4	12.93	12.07	11.22	10.37
24.8	14.22	13.37	12.52	11.66
32	14.77	13.92	13.07	12.22
35	14.90	14.05	13.19	12.34
39.2	15.05	14.20	13.35	12.49
44.6	15.20	14.35	13.50	12.64
47	15.37	14.51	13.66	12.81
53.6	15.52	14.66	13.81	12.96
57	15.67	14.82	13.96	13.11

COOLING CAPACITY - 018 (208/230V)

Outdoor Temperature - °F (Dry Bulb)	Indoor Temperature - °F (Dry Bulb / Wet Bulb)							
	65°F / 54°F		70°F / 59°F		75°F / 63°F		80°F / 67°F	
	Total mBtuh	Sensible mBtuh	Total mBtuh	Sensible mBtuh	Total mBtuh	Sensible mBtuh	Total mBtuh	Sensible mBtuh
-13	12.20	10.51	12.58	10.83	12.89	11.10	13.25	11.41
-5	12.56	10.98	12.95	11.32	13.28	11.61	13.61	11.90
-4	12.60	11.01	12.99	11.35	13.32	11.64	13.65	11.93
0	12.85	11.14	13.25	11.48	13.58	11.77	13.95	12.09
5	13.10	11.17	13.51	11.52	13.85	11.81	14.26	12.15
15	13.46	11.21	13.87	11.55	14.22	11.84	14.69	12.23
25	13.39	11.15	13.80	11.49	14.15	11.78	14.77	12.29
35	13.84	11.14	14.27	11.49	14.63	11.77	15.35	12.36
45	15.08	12.40	15.55	12.78	15.94	13.10	16.73	13.75
55	15.06	12.83	15.52	12.62	15.91	12.92	16.79	13.95
65	15.03	12.65	15.50	12.75	15.88	12.86	16.85	13.86
75	15.09	12.55	15.55	12.65	15.94	12.98	16.91	13.88
85	14.48	11.65	14.93	11.85	15.30	11.99	16.97	13.99
95	14.49	11.62	14.94	11.82	15.31	11.96	18.00	14.26
105	13.02	10.65	13.43	10.79	13.76	10.89	16.38	12.87
110	11.40	9.25	11.76	9.35	12.05	9.63	14.52	11.16
115	10.52	8.45	10.85	8.65	11.12	8.78	13.48	10.78
122	9.80	7.65	10.10	7.75	10.35	7.85	12.63	9.13

HEATING CAPACITY - 018 (208/230V)

Outdoor Temperature - °F (Dry Bulb)	Indoor Temperature - °F (Dry Bulb)			
	60°F	65°F	70°F	75°F
	Total mBtuh	Total mBtuh	Total mBtuh	Total mBtuh
-13	9.81	8.96	8.10	7.25
-5	11.22	10.36	9.51	8.66
0	12.03	11.18	10.33	9.47
5	12.88	12.03	11.18	10.33
17	15.72	14.87	14.02	13.16
19.4	17.52	16.67	15.81	14.96
24.8	18.81	17.96	17.11	16.26
32	19.37	18.51	17.66	16.81
35	19.49	18.64	17.79	16.93
39.2	19.64	18.79	17.94	17.09
44.6	19.79	18.94	18.09	17.24
47	21.30	20.44	19.59	18.74
53.6	21.45	20.59	19.74	18.89
57	21.60	20.75	19.89	19.04

COOLING CAPACITY - 024 (208/230V)

Outdoor Temperature - °F (Dry Bulb)	Indoor Temperature - °F (Dry Bulb / Wet Bulb)							
	65°F / 54°F		70°F / 59°F		75°F / 63°F		80°F / 67°F	
	Total mBtuh	Sensible mBtuh	Total mBtuh	Sensible mBtuh	Total mBtuh	Sensible mBtuh	Total mBtuh	Sensible mBtuh
-13	19.11	18.65	19.70	19.22	20.20	19.71	20.53	20.03
-5	20.78	19.63	21.42	20.24	21.95	20.75	22.31	21.09
-4	20.84	19.69	21.48	20.30	22.02	20.81	22.38	21.15
0	21.85	19.75	22.53	20.36	23.09	20.87	23.47	21.22
5	22.44	20.52	23.14	21.16	23.72	21.69	24.36	22.28
15	24.09	21.49	24.84	23.02	25.46	23.83	26.29	24.64
25	24.82	22.30	25.59	23.82	26.23	24.62	27.37	25.70
35	25.21	22.83	25.99	23.95	26.64	24.55	27.95	25.76
45	24.59	20.70	25.35	21.31	25.98	22.82	27.26	23.84
55	24.95	19.65	25.72	20.26	26.36	21.76	27.81	22.91
65	24.41	19.60	25.17	20.20	25.80	20.71	27.36	21.97
75	24.90	19.65	25.67	20.26	26.32	20.77	27.91	22.03
85	23.44	18.85	24.16	19.44	24.77	19.92	27.46	21.09
95	22.15	17.83	22.83	18.38	23.40	18.84	27.51	21.15
105	18.38	15.89	18.95	16.38	19.43	16.79	23.12	19.98
110	16.93	14.24	17.46	14.68	17.89	15.04	21.56	18.13
115	15.63	13.82	16.12	14.56	16.52	14.92	20.03	18.09
122	15.10	13.14	15.57	13.58	15.95	13.94	19.46	17.03

HEATING CAPACITY - 024 (208/230V)

Outdoor Temperature - °F (Dry Bulb)	Indoor Temperature - °F (Dry Bulb)			
	60°F	65°F	70°F	75°F
	Total mBtuh	Total mBtuh	Total mBtuh	Total mBtuh
-13	13.82	12.96	12.11	11.26
-5	16.06	15.21	14.36	13.51
0	18.95	18.10	17.25	16.40
5	19.80	18.95	18.10	17.25
17	20.74	19.89	19.04	18.18
19.4	20.84	19.99	19.13	18.28
24.8	20.96	20.11	19.26	18.41
32	21.09	20.23	19.38	18.53
35	21.21	20.36	19.51	18.65
39.2	21.36	20.51	19.66	18.81
44.6	21.51	20.66	19.81	18.96
47	31.45	30.59	29.74	28.89
53.6	31.60	30.74	29.89	29.04
57	31.75	30.90	30.04	29.19

COOLING CAPACITY - 030 (208/230V)

Outdoor Temperature - °F (Dry Bulb)	Indoor Temperature - °F (Dry Bulb / Wet Bulb)							
	65°F / 54°F		70°F / 59°F		75°F / 63°F		80°F / 67°F	
	Total mBtuh	Sensible mBtuh	Total mBtuh	Sensible mBtuh	Total mBtuh	Sensible mBtuh	Total mBtuh	Sensible mBtuh
-13	24.99	22.90	25.76	23.61	26.41	24.20	26.84	24.60
-5	26.36	23.88	27.17	24.62	27.85	25.23	28.31	25.65
-4	26.44	23.95	27.25	24.69	27.93	25.31	28.39	25.73
0	26.98	24.20	27.81	24.94	28.50	25.57	28.97	25.99
5	27.24	24.19	28.08	24.93	28.78	25.56	29.56	26.25
15	27.42	25.15	28.27	25.93	28.98	26.57	29.92	27.44
25	27.21	24.94	28.05	25.71	28.75	26.35	30.00	27.50
35	27.59	24.86	28.44	25.63	29.15	26.27	30.59	27.56
45	27.91	24.81	28.78	25.58	29.49	26.22	30.95	27.51
55	27.82	25.17	28.68	25.95	29.39	26.60	31.01	28.06
65	26.83	25.08	27.66	25.86	28.35	26.50	30.07	28.11
75	26.91	25.10	27.74	25.88	28.44	26.52	30.16	28.13
85	26.21	24.06	27.02	24.81	27.70	25.43	30.71	28.19
95	25.57	23.55	26.36	24.28	27.02	24.88	31.76	29.26
105	22.66	19.87	23.37	20.49	23.95	21.00	28.50	24.99
110	21.16	18.96	21.81	19.54	22.36	20.03	26.94	24.13
115	20.62	18.81	21.25	19.39	21.78	19.88	26.41	23.10
122	20.05	17.80	20.67	18.39	21.19	18.87	25.84	22.24

HEATING CAPACITY - 030 (208/230V)

Outdoor Temperature - °F (Dry Bulb)	Indoor Temperature - °F (Dry Bulb)			
	60°F	65°F	70°F	75°F
	Total mBtuh	Total mBtuh	Total mBtuh	Total mBtuh
-13	15.12	14.27	13.42	12.57
-5	17.11	16.26	15.41	14.56
0	20.56	19.71	18.86	18.01
5	21.42	20.56	19.71	18.86
17	22.27	21.42	20.56	19.71
19.4	23.78	22.93	21.08	20.23
24.8	25.91	24.05	23.20	22.35
32	27.03	26.18	25.33	24.47
35	29.15	28.30	27.45	26.60
39.2	31.30	29.45	29.60	28.75
44.6	32.46	31.60	30.75	29.90
47	33.67	32.82	31.97	31.12
53.6	33.82	32.97	32.12	31.27
57	33.97	33.12	32.27	31.42

COOLING CAPACITY - 036 (208/230V)

Outdoor Temperature - °F (Dry Bulb)	Indoor Temperature - °F (Dry Bulb / Wet Bulb)							
	65°F / 54°F		70°F / 59°F		75°F / 63°F		80°F / 67°F	
	Total mBtuh	Sensible mBtuh	Total mBtuh	Sensible mBtuh	Total mBtuh	Sensible mBtuh	Total mBtuh	Sensible mBtuh
-13	31.40	21.77	32.20	22.22	32.97	22.75	33.71	23.26
-5	36.19	25.10	37.12	25.61	38.01	26.22	38.86	26.82
-4	36.30	25.17	37.23	25.69	38.12	26.30	38.98	26.90
0	36.08	25.03	37.01	25.54	37.86	26.12	38.65	26.67
5	35.86	24.87	36.78	25.38	37.21	25.67	38.32	26.44
15	35.32	24.50	36.23	25.00	36.87	25.44	37.86	26.12
25	35.28	24.46	36.18	24.96	36.76	25.36	37.68	26.00
35	35.23	24.43	36.13	24.93	36.63	25.27	37.45	25.84
45	35.12	24.71	36.02	25.21	36.56	25.59	37.21	26.05
55	33.40	24.92	34.23	25.42	35.11	26.08	37.04	26.76
65	33.22	24.97	33.53	25.48	34.75	26.21	36.99	26.94
75	33.03	25.02	33.83	25.53	34.39	26.33	36.95	27.12
85	33.49	26.22	34.35	26.76	35.02	27.54	36.70	27.31
95	30.11	24.75	31.88	25.25	34.31	26.22	36.55	27.19
105	25.92	22.84	26.58	23.31	29.38	24.37	31.59	25.43
110	23.82	20.27	24.43	20.68	26.77	21.56	29.11	22.44
115	21.72	17.69	22.28	18.05	24.45	18.75	26.63	19.44
122	17.53	13.39	18.98	13.66	19.82	14.20	21.67	14.74

HEATING CAPACITY - 036 (208/230V)

Outdoor Temperature - °F (Dry Bulb)	Indoor Temperature - °F (Dry Bulb)			
	60°F	65°F	70°F	75°F
	Total mBtuh	Total mBtuh	Total mBtuh	Total mBtuh
-13	18.84	18.03	17.57	16.91
-5	22.59	21.86	21.38	20.05
0	24.71	24.05	23.66	22.66
5	27.92	26.79	25.66	25.20
17	34.87	33.43	32.00	31.42
19.4	35.22	34.30	33.38	33.01
24.8	36.30	36.92	37.54	37.78
32	37.74	40.41	43.08	44.14
35	41.36	43.08	44.80	45.48
39.2	44.98	45.75	46.52	46.82
44.6	50.41	49.76	49.10	48.84
47	50.68	49.24	47.80	47.22
53.6	51.98	49.72	47.47	46.56
57	52.76	50.47	48.18	47.26

COOLING CAPACITY - 048 (208/230V)

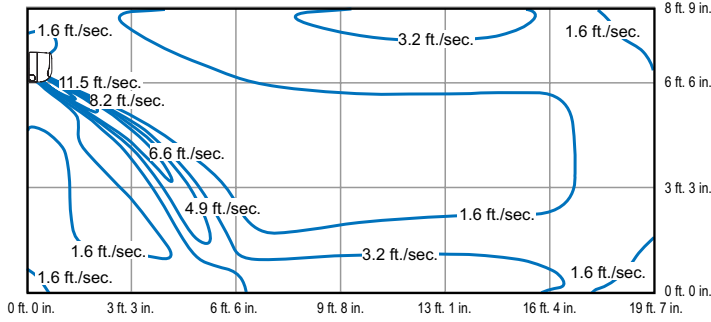
Outdoor Temperature - °F (Dry Bulb)	Indoor Temperature - °F (Dry Bulb / Wet Bulb)							
	65°F / 54°F		70°F / 59°F		75°F / 63°F		80°F / 67°F	
	Total mBtuh	Sensible mBtuh	Total mBtuh	Sensible mBtuh	Total mBtuh	Sensible mBtuh	Total mBtuh	Sensible mBtuh
-13	44.79	32.42	45.94	33.08	46.14	33.22	47.02	33.85
-5	48.17	34.86	49.40	35.57	49.62	35.72	50.55	36.40
-4	51.79	37.48	53.12	38.25	53.35	38.41	54.36	39.14
0	51.57	37.32	52.89	38.08	53.64	38.62	54.18	39.01
5	51.01	37.43	52.32	38.19	53.18	38.82	54.06	39.46
15	50.88	38.86	52.18	39.66	53.13	40.38	53.88	40.95
25	50.72	38.74	52.02	39.54	52.94	40.23	53.51	40.67
35	49.89	37.37	51.17	38.13	52.07	38.81	53.16	39.61
45	49.06	36.00	50.32	36.73	51.20	37.38	52.80	38.54
55	46.99	34.48	48.19	35.18	49.31	35.99	50.73	35.71
65	46.47	34.10	47.66	34.79	48.83	35.65	50.21	35.00
75	45.95	33.72	47.13	34.40	48.36	35.30	49.69	34.29
85	44.71	32.81	45.86	33.48	47.95	35.00	49.29	34.50
95	41.93	32.46	43.01	33.12	45.86	35.31	48.16	34.19
105	35.12	30.00	36.02	30.62	37.66	32.01	38.44	31.52
110	32.09	27.56	32.91	28.12	34.79	29.73	36.25	29.89
115	29.06	25.12	29.80	25.63	31.92	27.45	34.05	28.26
122	25.87	22.62	26.53	23.08	28.99	25.22	31.38	26.67

HEATING CAPACITY - 048 (208/230V)

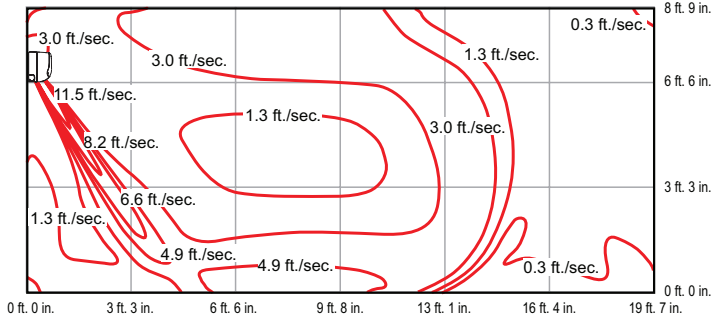
Outdoor Temperature - °F (Dry Bulb)	Indoor Temperature - °F (Dry Bulb)			
	60°F	65°F	70°F	75°F
	Total mBtuh	Total mBtuh	Total mBtuh	Total mBtuh
-13	28.65	27.89	27.12	24.01
-5	33.02	31.98	33.02	25.88
0	36.16	35.18	36.16	27.65
5	37.85	36.86	35.78	29.05
17	44.12	42.08	39.97	33.85
19.4	45.56	42.98	41.02	34.88
24.8	48.34	46.11	44.98	38.62
32	50.61	48.68	47.03	44.16
35	51.75	49.85	48.34	46.34
39.2	52.88	51.02	49.65	48.52
44.6	55.95	55.01	53.98	53.02
47	56.58	55.55	54.43	53.48
53.6	58.36	57.21	55.98	55.03
57	59.24	58.07	56.82	55.86

AIR THROW DATA - WALL-MOUNTED INDOOR UNITS

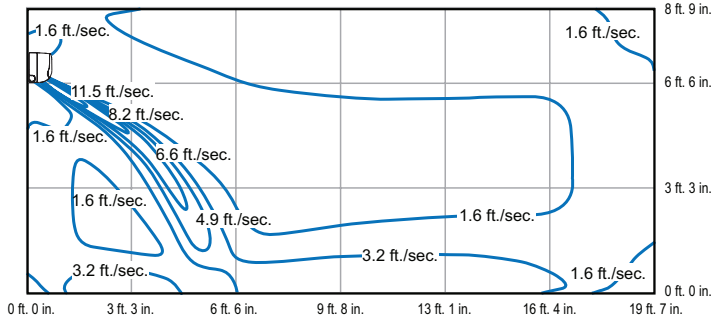
MWMA009S4 AND MWMB009S4 - COOLING



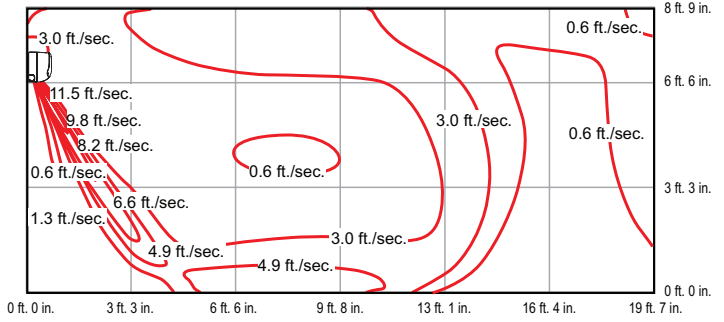
MWMA009S4 AND MWMB009S4 - HEATING



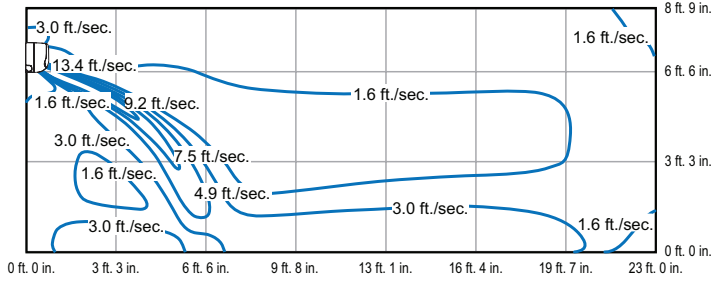
MWMA012S4 AND MWMB012S4 - COOLING



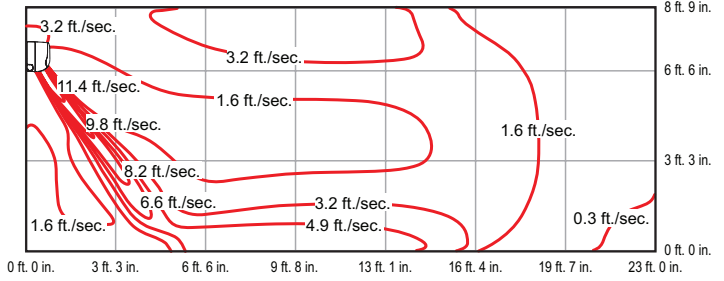
MWMA012S4 AND MWMB012S4 - HEATING



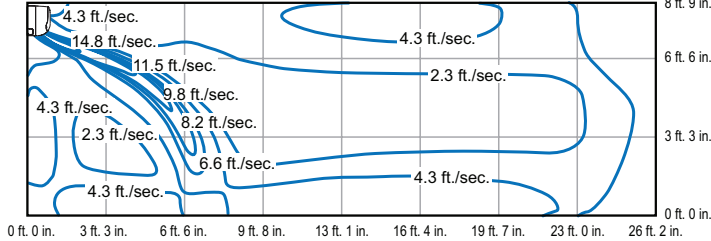
MWMA018S4 - COOLING



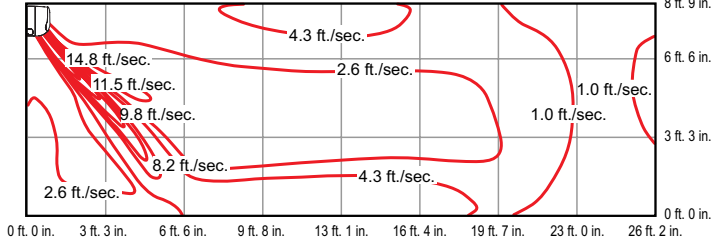
MWMA018S4 - HEATING



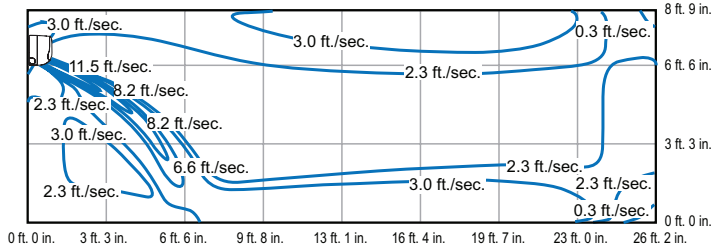
MWMA024S4 - COOLING



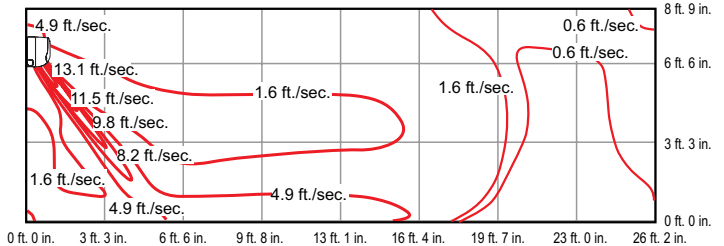
MWMA024S4 - HEATING



MWMB030S4 - COOLING

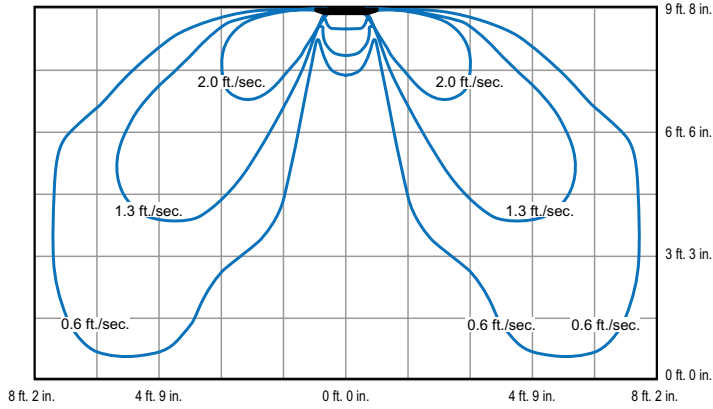


MWMB030S4 - HEATING

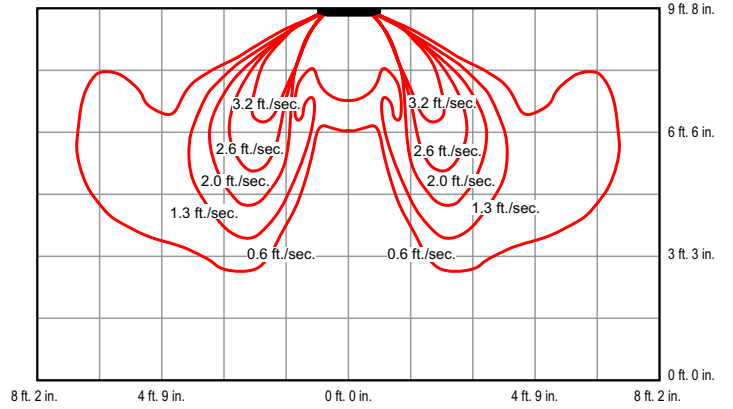


AIR THROW DATA - CASSETTE INDOOR UNITS

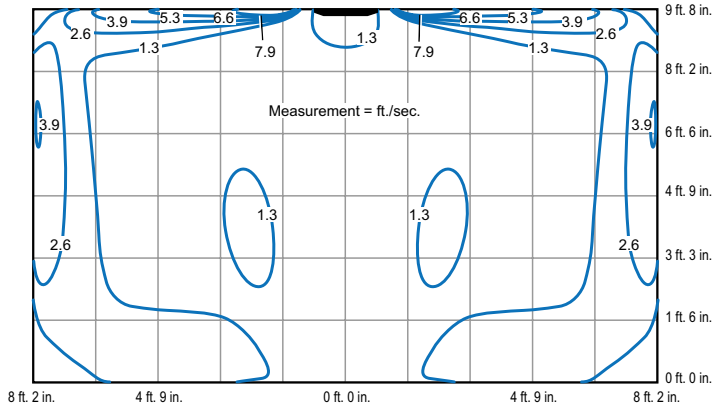
M22A009S4 AND M22A012S4 - COOLING



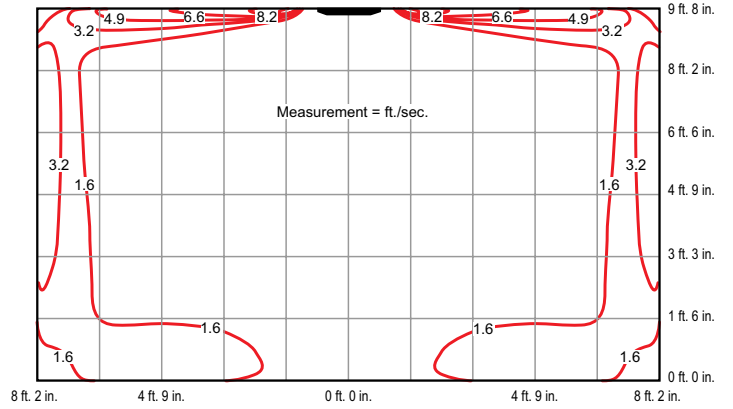
M22A009S4 AND M22A012S4 - HEATING



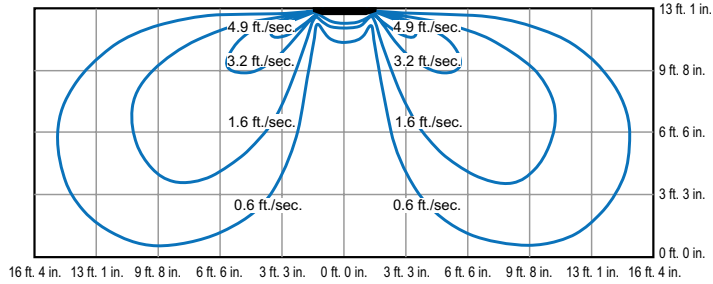
M22A018S4 - COOLING



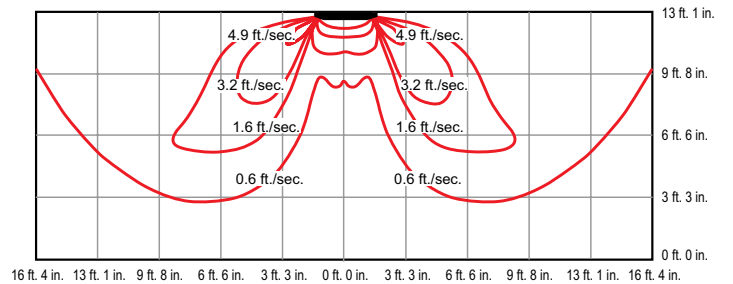
M22A018S4 - HEATING



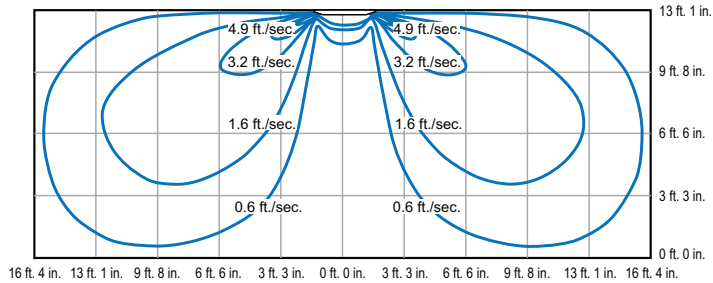
M33A024S4 - COOLING



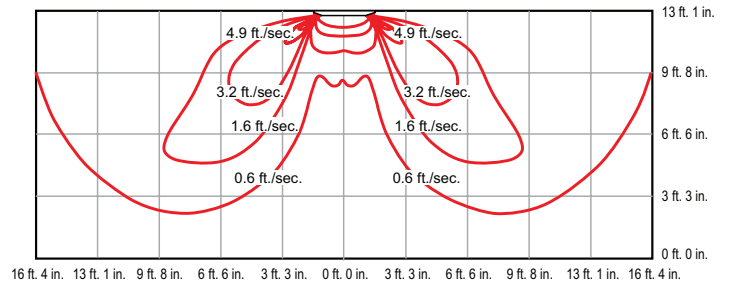
M33A024S4 - HEATING



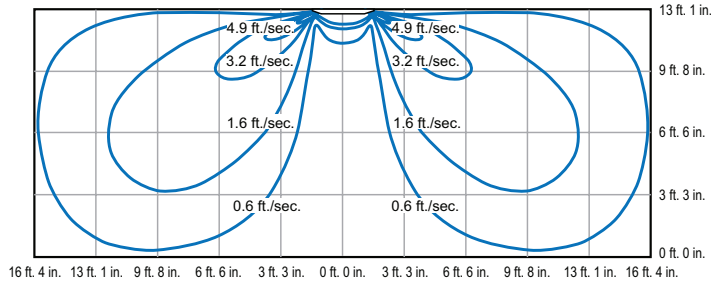
M33A036S4 - COOLING



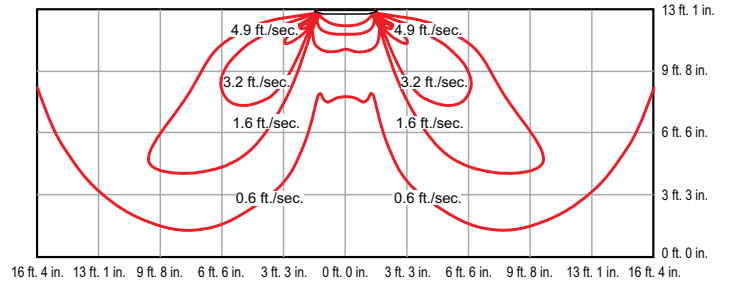
M33A036S4 - HEATING



M33B048S4 - COOLING

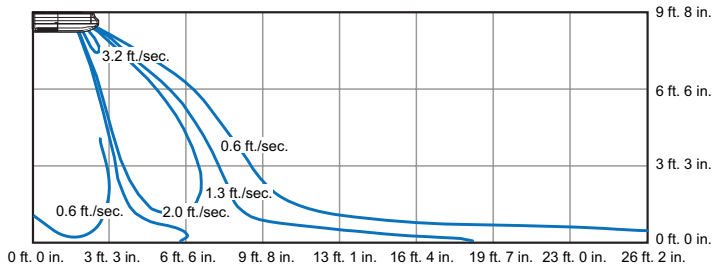


M33B048S4 - HEATING

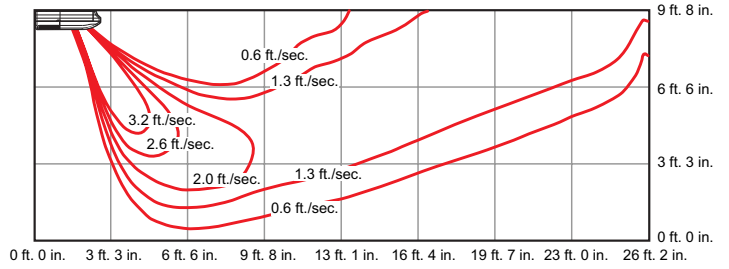


AIR THROW DATA - CEILING/FLOOR MOUNT INDOOR UNITS

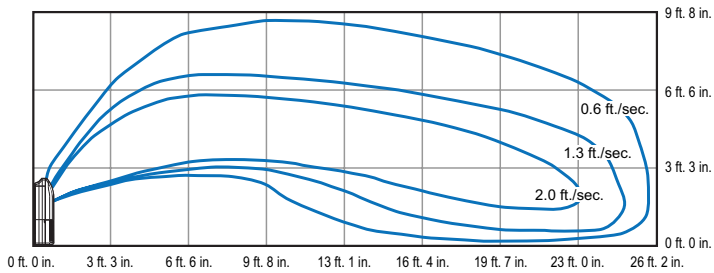
MCFB018S4 AND MCFA024S4 - COOLING - CEILING



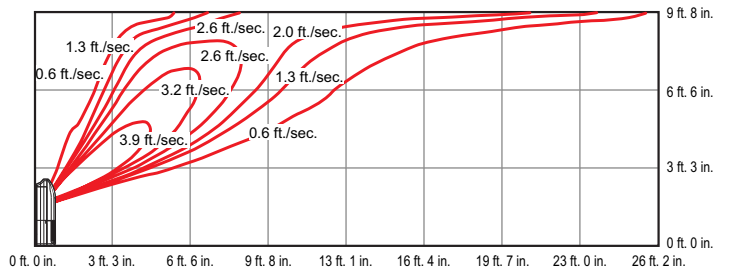
MCFB018S4 AND MCFA024S4 - HEATING - CEILING



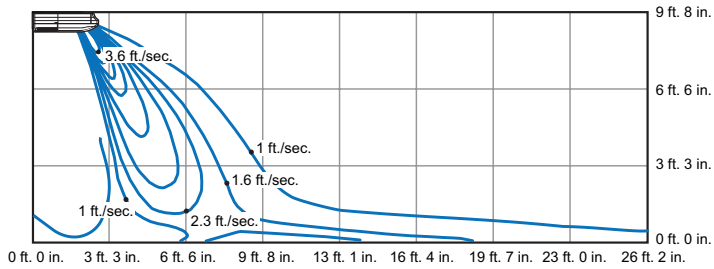
MCFB018S4 AND MCFA024S4 - COOLING - FLOOR



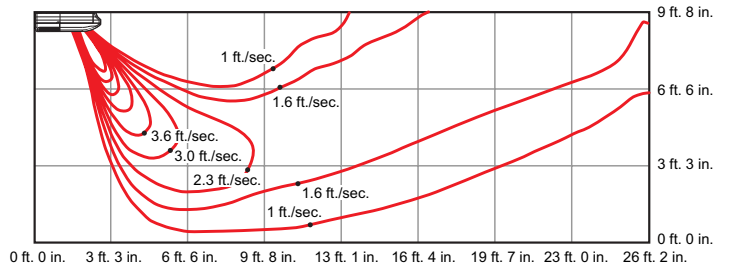
MCFB018S4 AND MCFA024S4 - HEATING - FLOOR



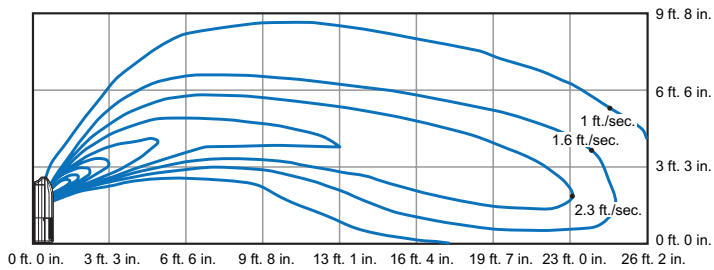
MCFA036S4 - CEILING - COOLING



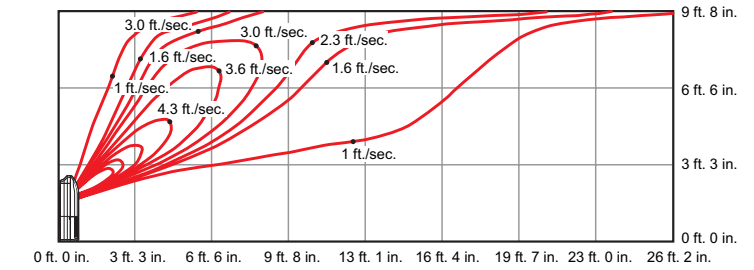
MCFA036S4 - CEILING - HEATING



MCFA036S4 - FLOOR - COOLING

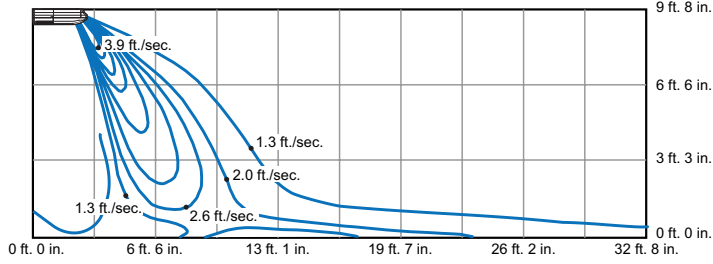


MCFA036S4 - FLOOR - HEATING

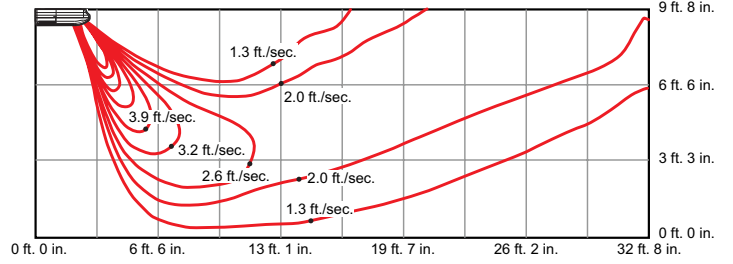


AIR THROW DATA - CEILING/FLOOR MOUNT INDOOR UNITS

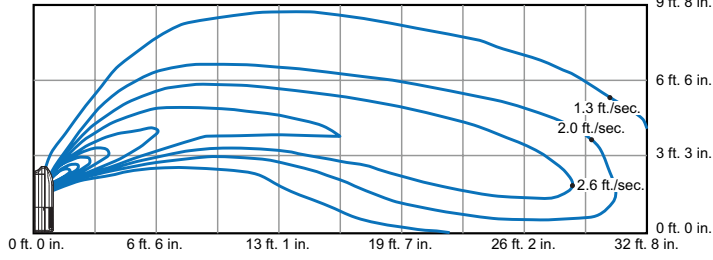
MCFA048S4 - CEILING - COOLING



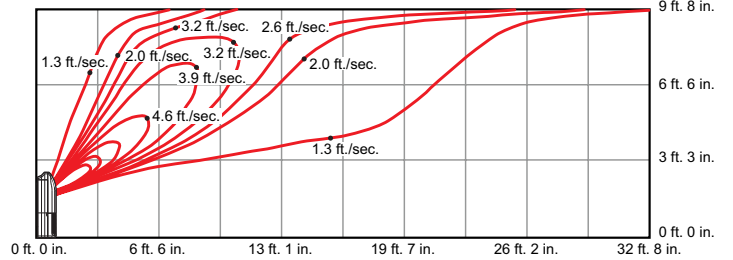
MCFA048S4 - CEILING - COOLING



MCFA048S4 - FLOOR - COOLING

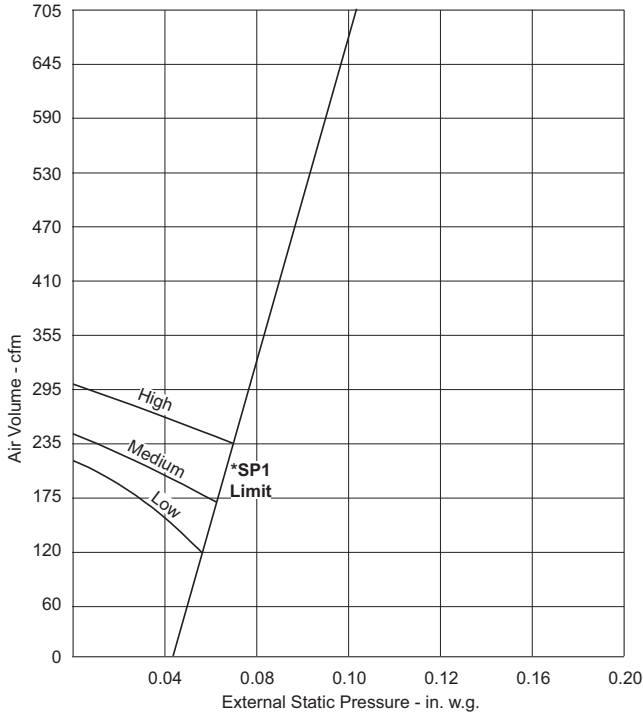


MCFA048S4 - FLOOR - HEATING

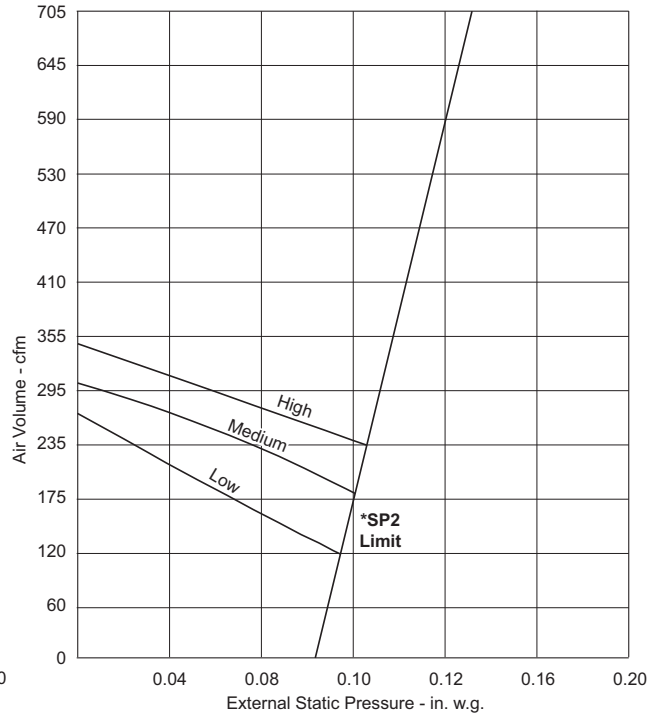


BLOWER DATA - MEDIUM STATIC DUCTED INDOOR UNITS

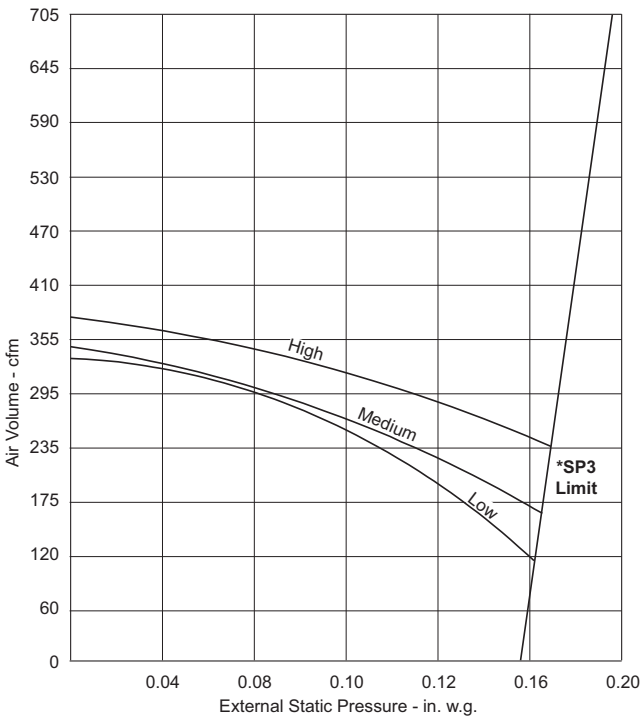
MMDB009S4



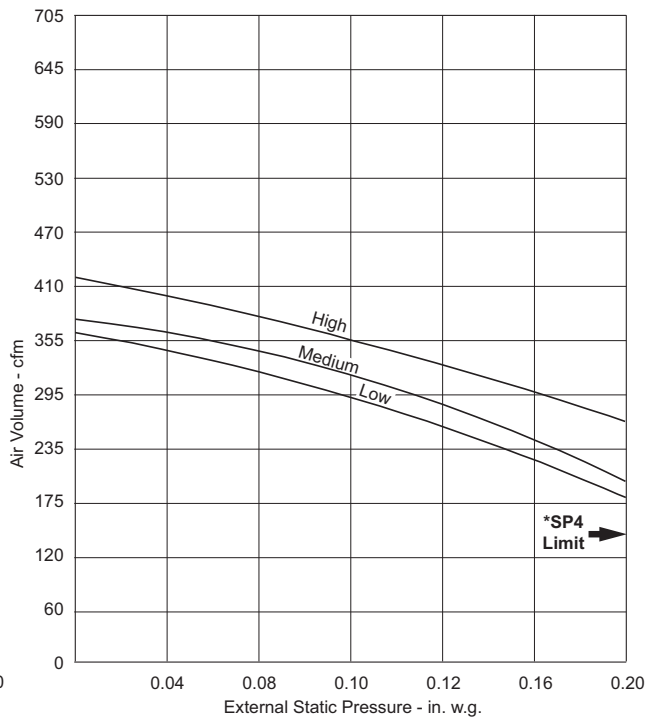
*SP1 Limit airflow rate setting on the controller.



*SP2 Limit airflow rate setting on the controller.



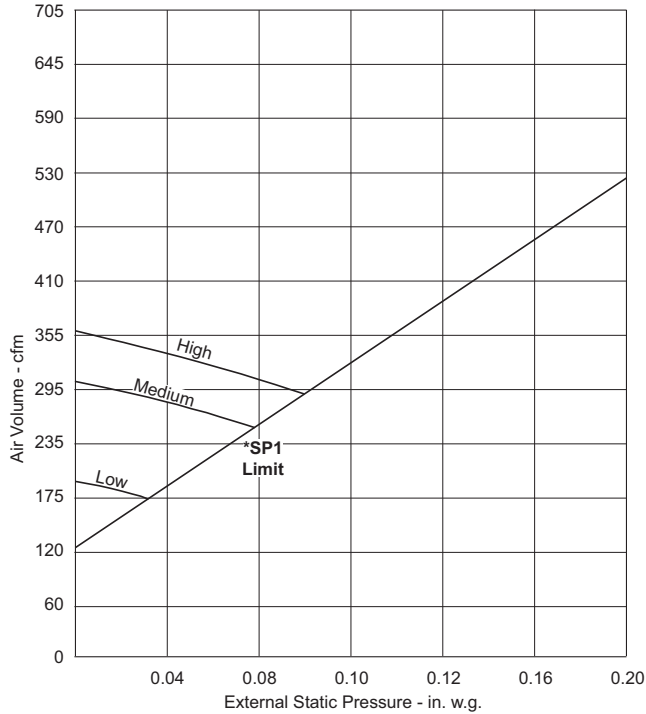
*SP3 Limit airflow rate setting on the controller.



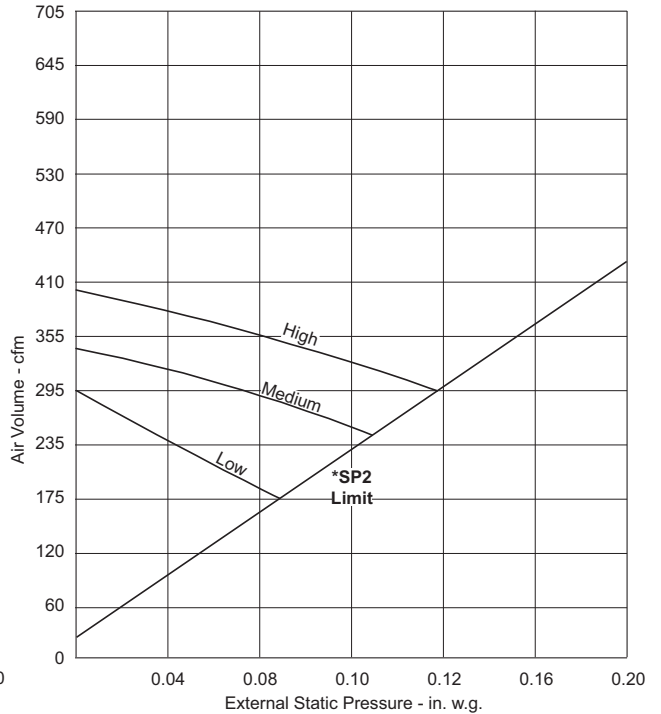
*SP4 Limit airflow rate setting on the controller.

BLOWER DATA - MEDIUM STATIC DUCTED INDOOR UNITS

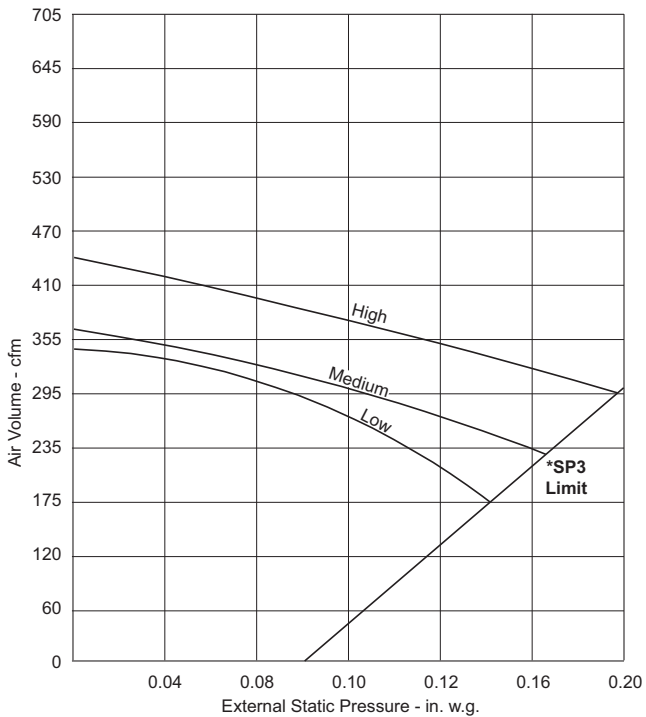
MMDB012S4



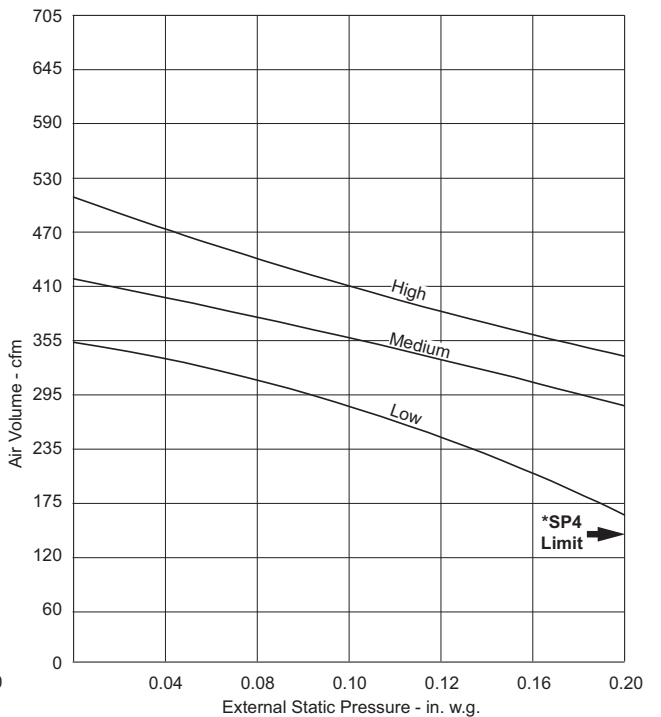
*SP1 Limit airflow rate setting on the controller.



*SP2 Limit airflow rate setting on the controller.



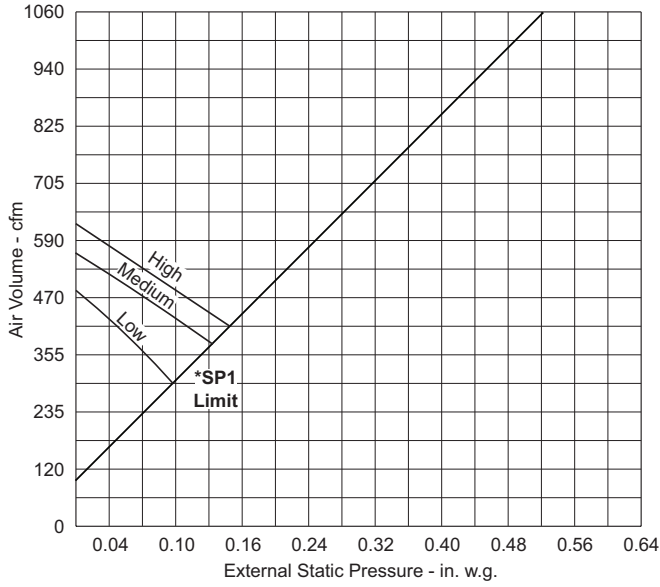
*SP3 Limit airflow rate setting on the controller.



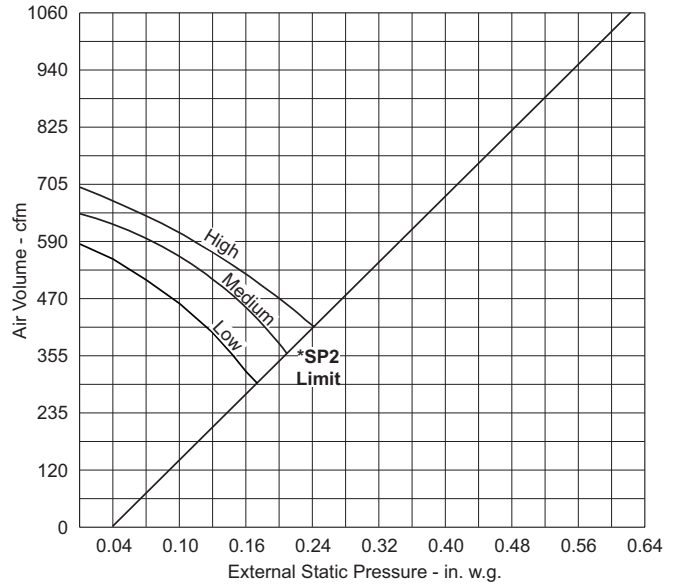
*SP4 Limit airflow rate setting on the controller.

BLOWER DATA - MEDIUM STATIC DUCTED INDOOR UNITS

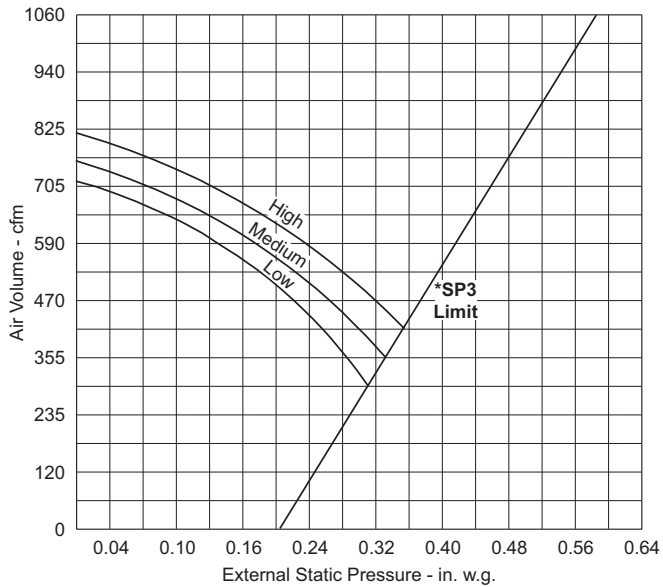
MMDB018S4



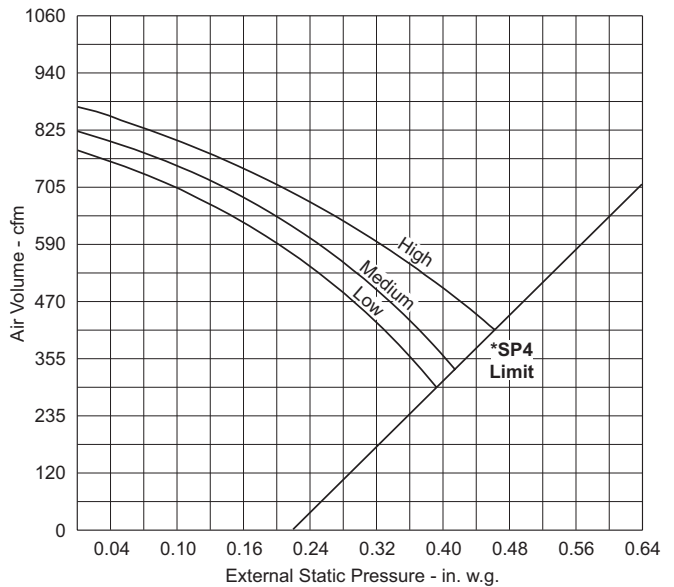
*SP1 Limit airflow rate setting on the controller.



*SP2 Limit airflow rate setting on the controller.



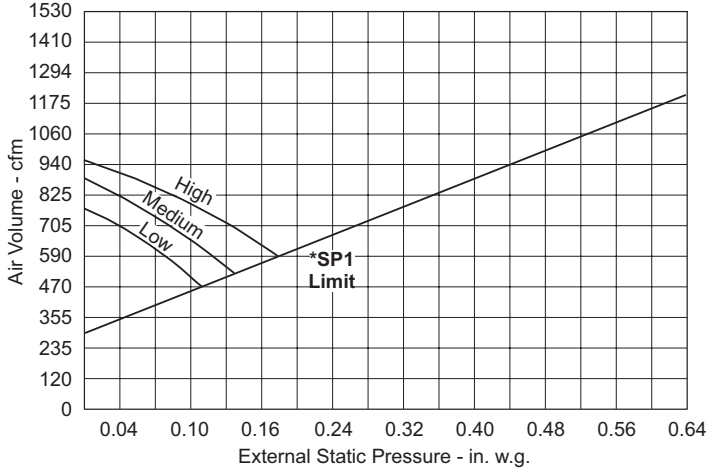
*SP3 Limit airflow rate setting on the controller.



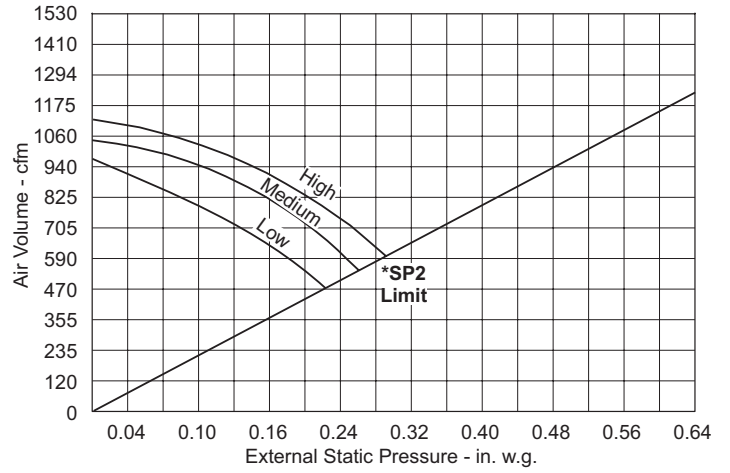
*SP4 Limit airflow rate setting on the controller.

BLOWER DATA - MEDIUM STATIC DUCTED INDOOR UNITS

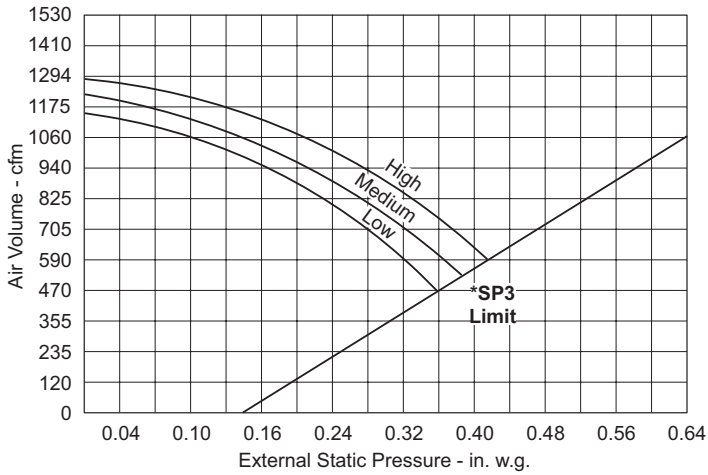
MMDB024S4



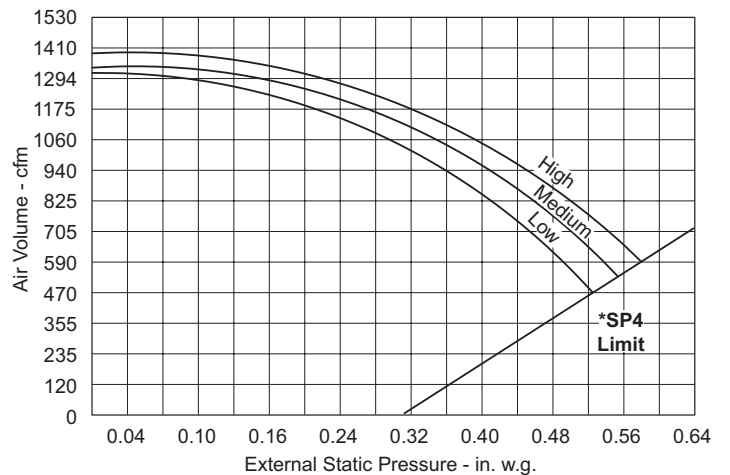
*SP1 Limit airflow rate setting on the controller.



*SP2 Limit airflow rate setting on the controller.



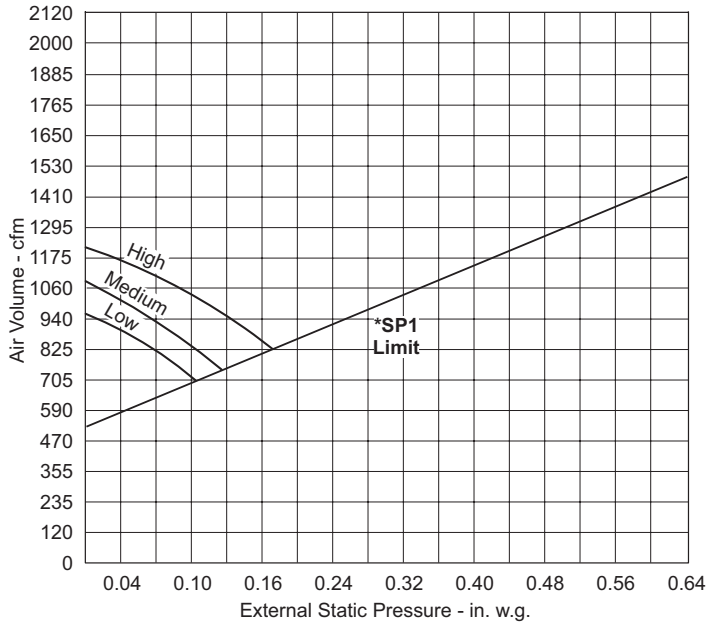
*SP3 Limit airflow rate setting on the controller.



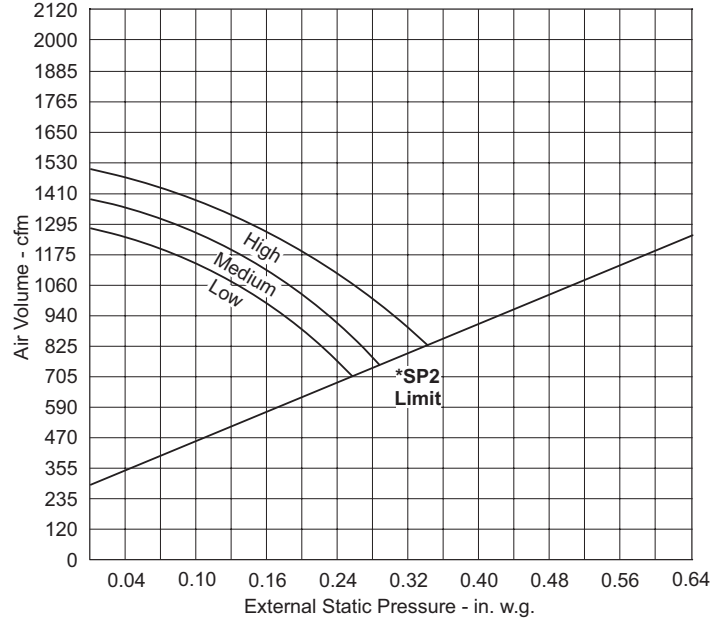
*SP4 Limit airflow rate setting on the controller.

BLOWER DATA - MEDIUM STATIC DUCTED INDOOR UNITS

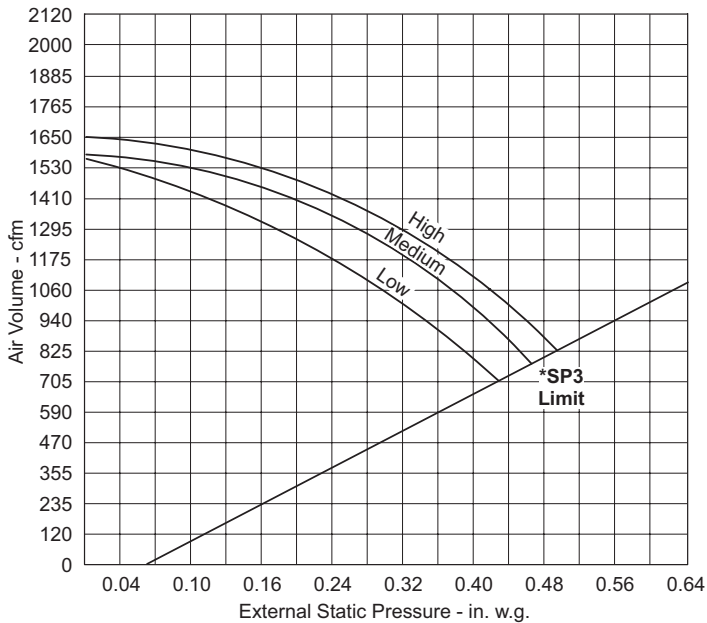
MMDB036S4



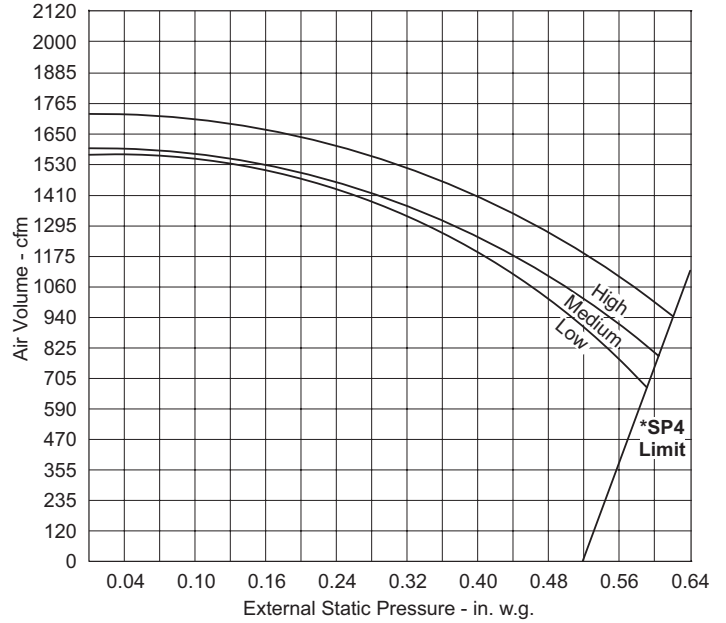
*SP1 Limit airflow rate setting on the controller.



*SP2 Limit airflow rate setting on the controller.



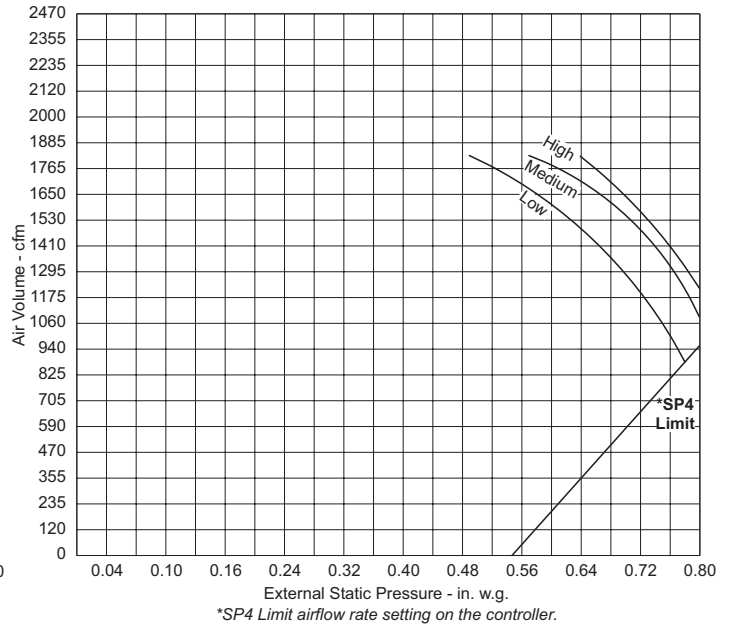
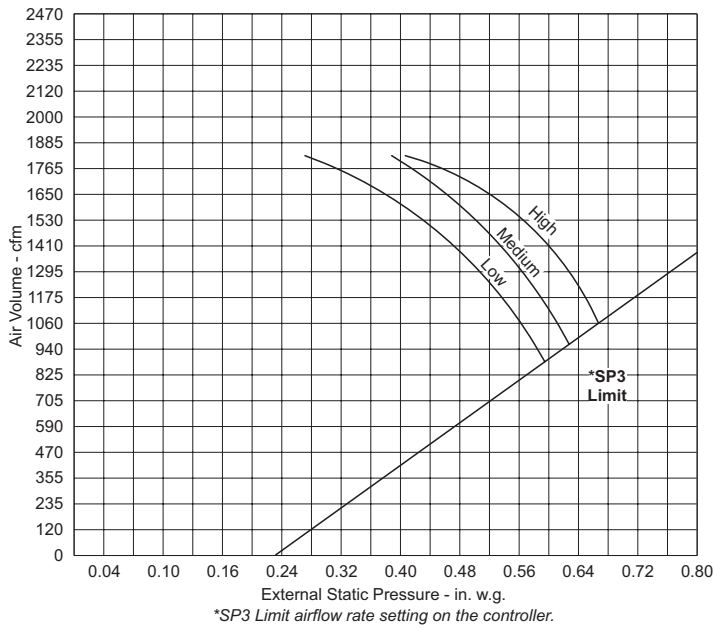
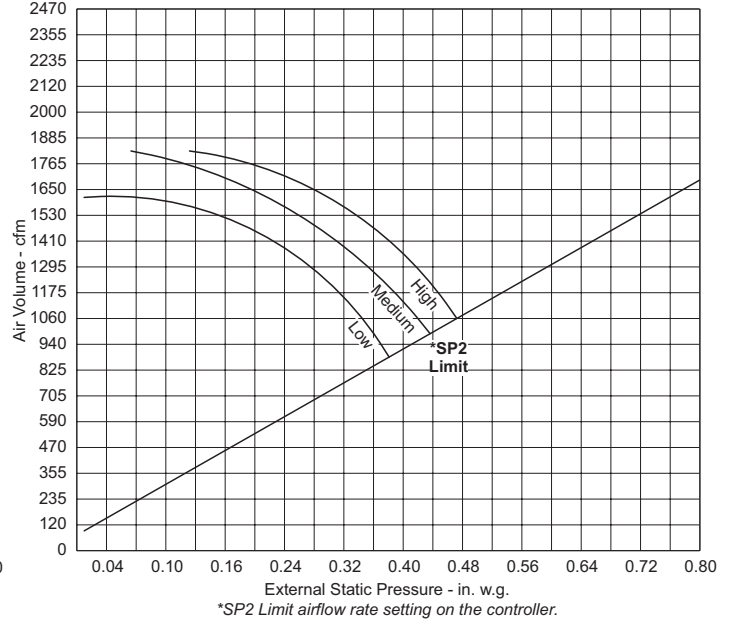
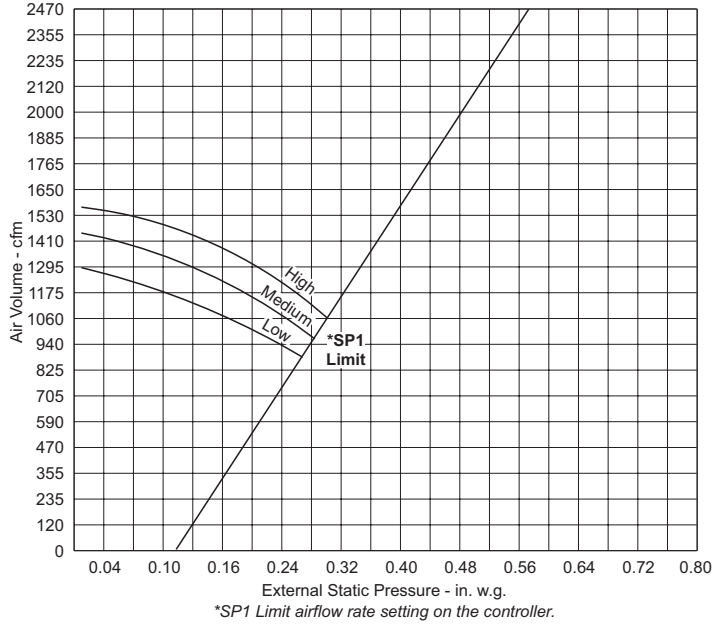
*SP3 Limit airflow rate setting on the controller.



*SP4 Limit airflow rate setting on the controller.

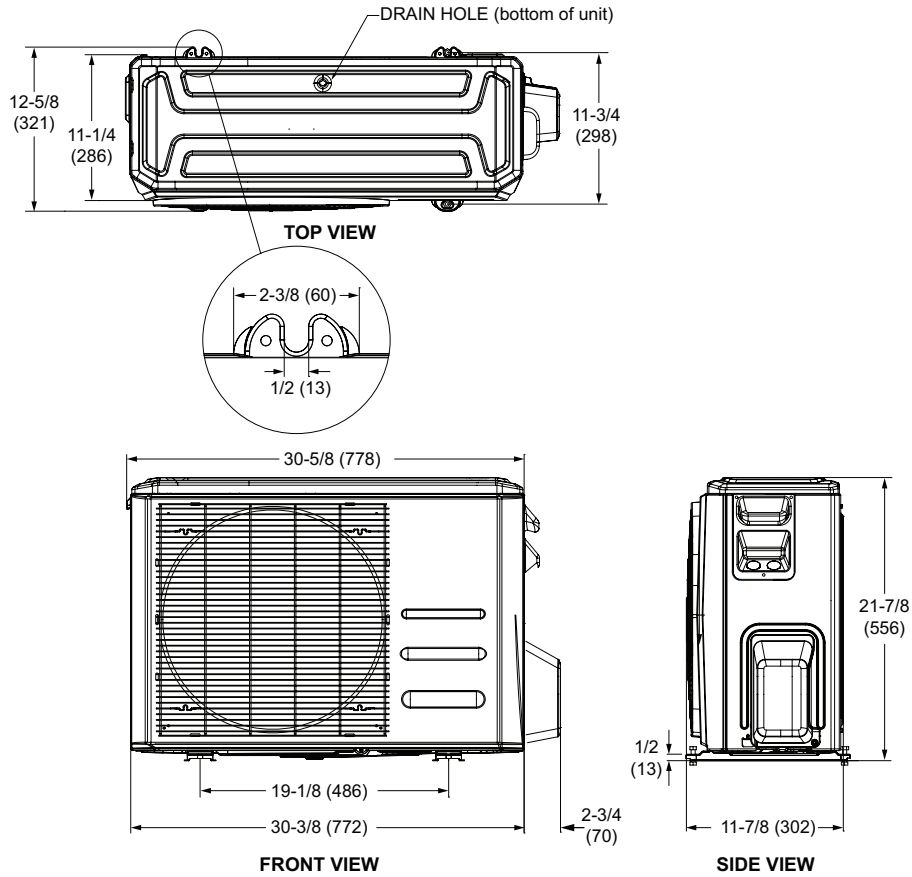
BLOWER DATA - MEDIUM STATIC DUCTED INDOOR UNITS

MMDB048S4

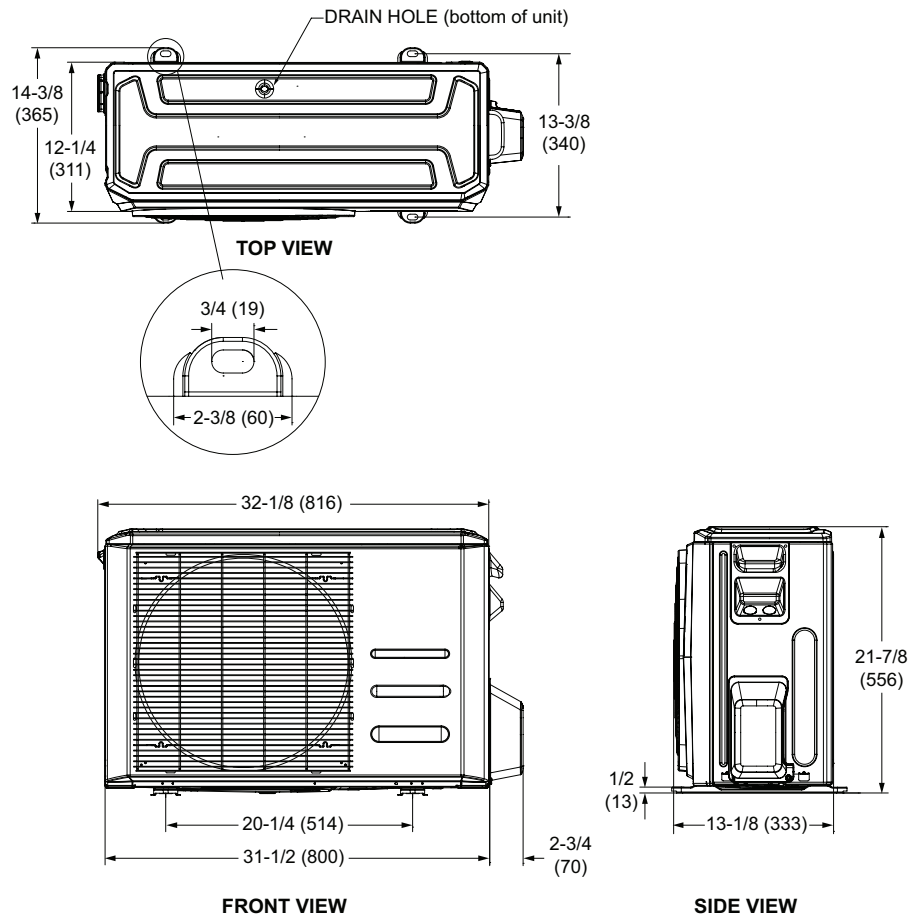


DIMENSIONS - OUTDOOR UNITS

MPB009S4S

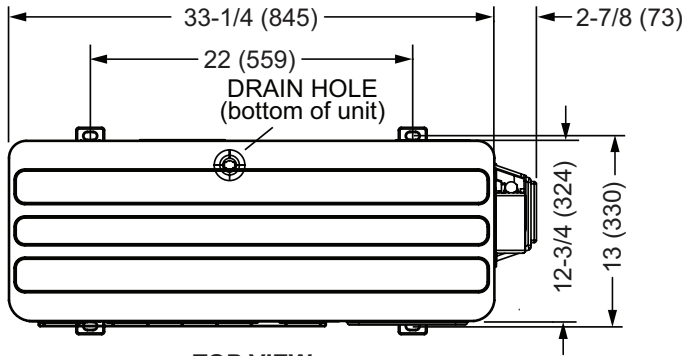


MPB012S4S

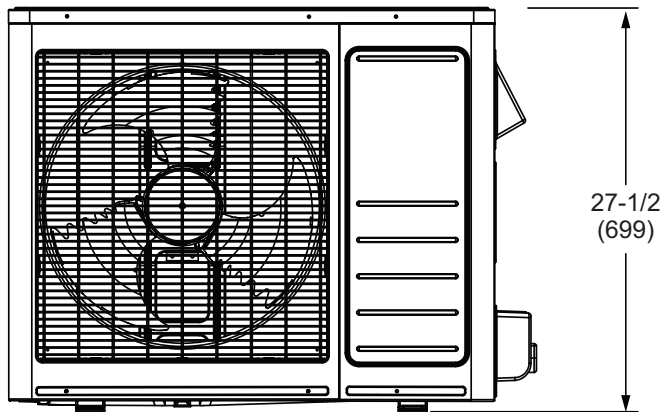


DIMENSIONS - OUTDOOR UNITS

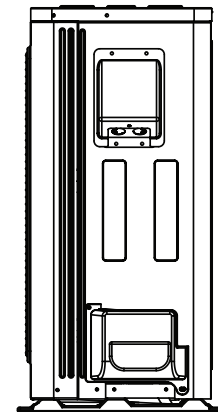
MPB018S4S



TOP VIEW

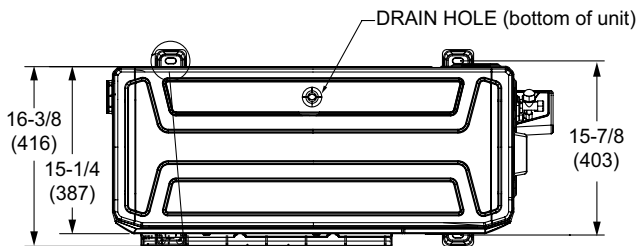


FRONT VIEW

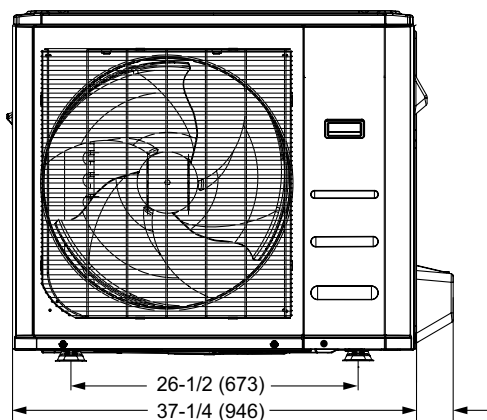
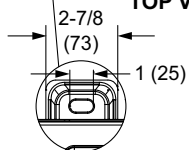


SIDE VIEW

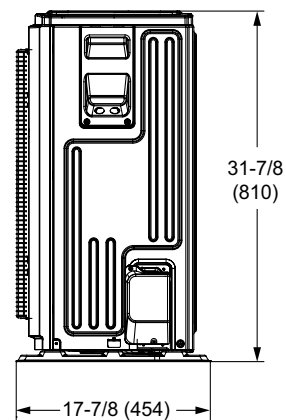
MPB024S4S, MPB030S4S, MPB036S4S



TOP VIEW



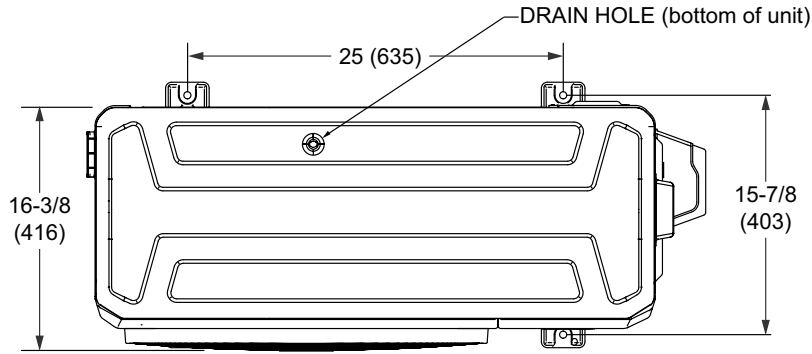
FRONT VIEW



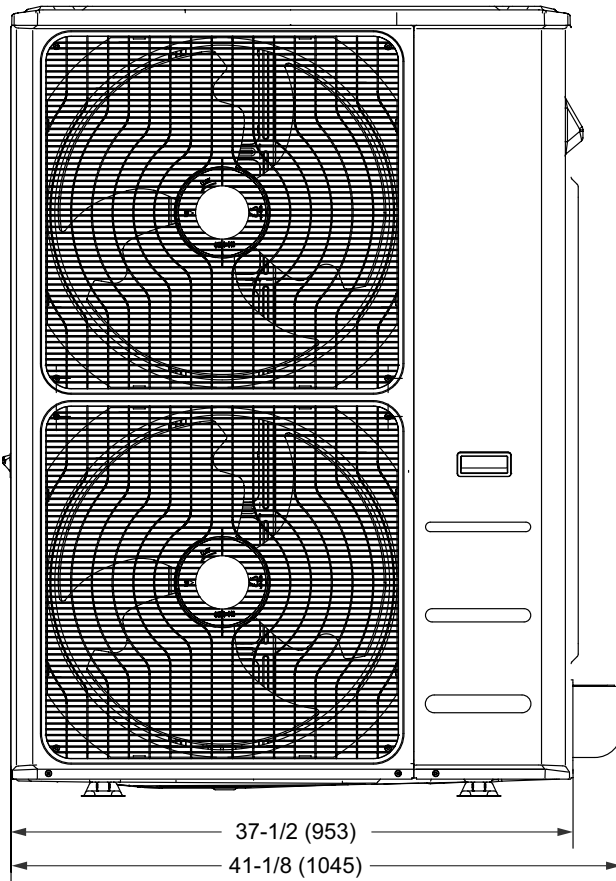
SIDE VIEW

DIMENSIONS - OUTDOOR UNITS

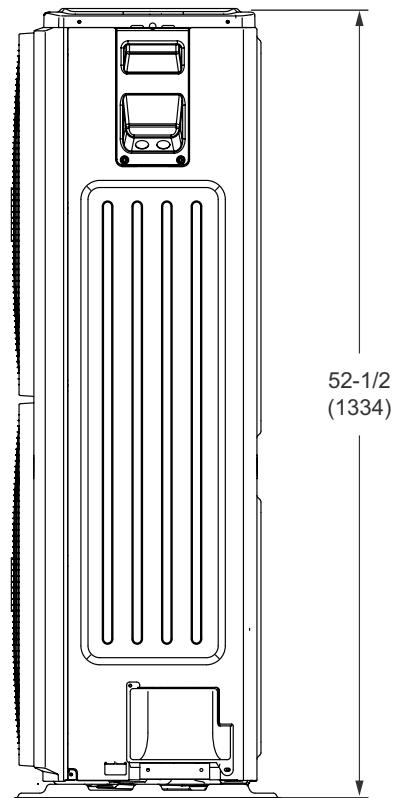
MPB048S4S



TOP VIEW



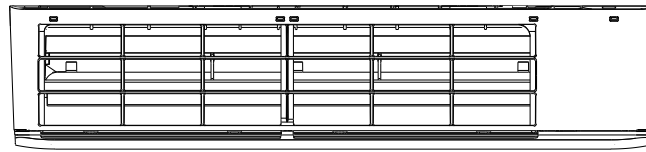
FRONT VIEW



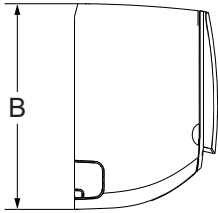
SIDE VIEW

DIMENSIONS - WALL-MOUNTED INDOOR UNITS

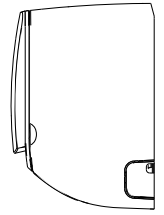
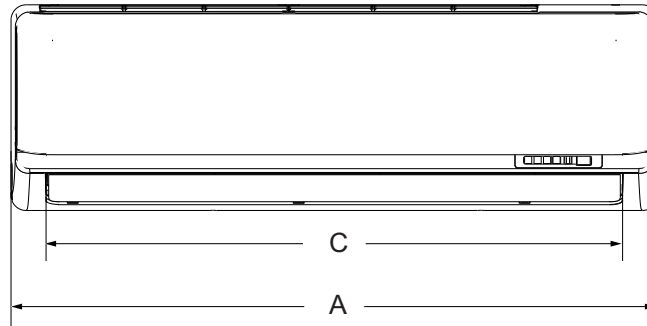
MWMB009S4, MWMA012S4, MWMB012S4, MWMA018S4, MWMA024S4, MWMB030S4



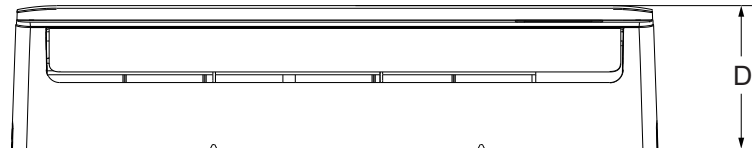
TOP VIEW



SIDE VIEW



SIDE VIEW

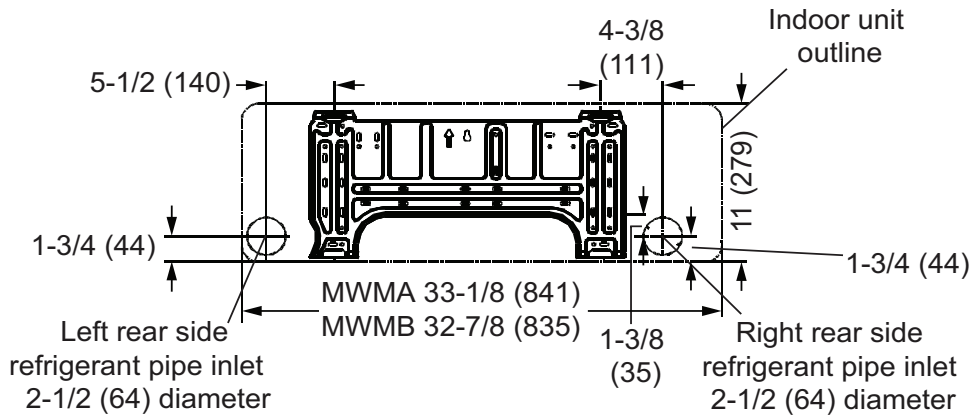


BOTTOM VIEW

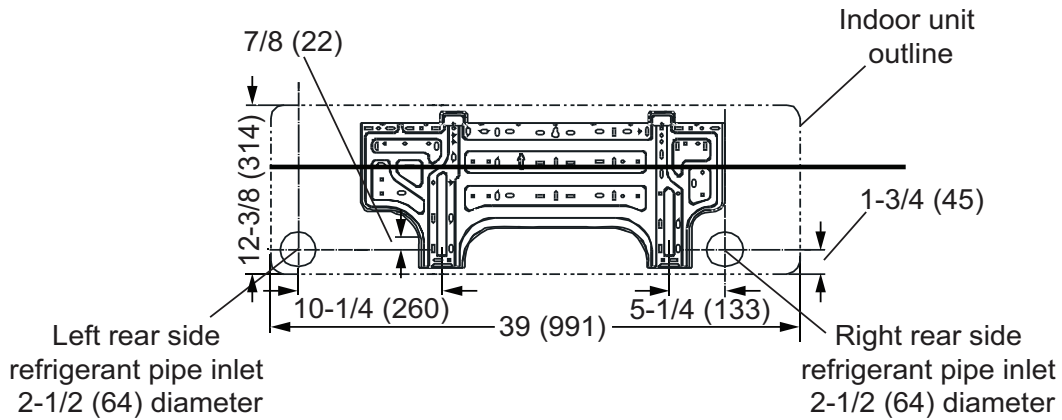
Size	A		B		C		D	
	in.	mm	in.	mm	in.	mm	in.	mm
MWMB009, 012	32-7/8	835	11	279	29-1/4	743	7-7/8	200
MWMA012	33-1/8	841	11	279	29-1/4	743	8-1/4	210
MWMA018	39	991	12-3/8	314	34-3/4	883	8-5/8	219
MWMA024, MWMB030	46-3/4	1187	13-1/2	343	42-1/2	1080	10-1/4	260

DIMENSIONS - WALL-MOUNTED INDOOR UNITS - WALL PLATES

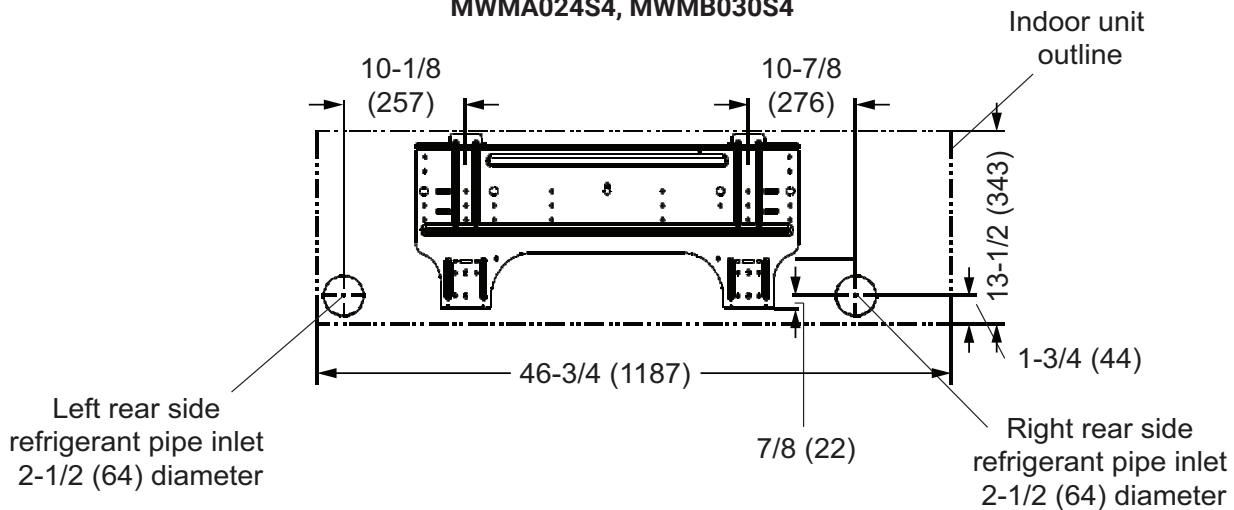
MWMA009S4, MWMB009S4, MWMA012S4, MWMB012S4



MWMA018S4

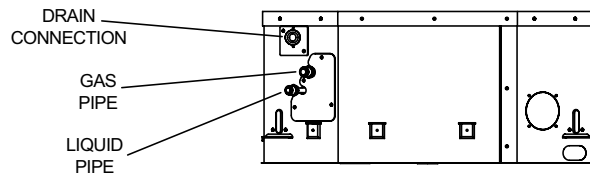


MWMA024S4, MWMB030S4

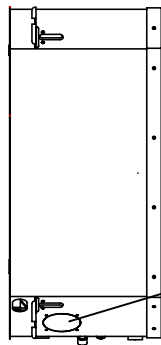


DIMENSIONS - CASSETTE INDOOR UNITS

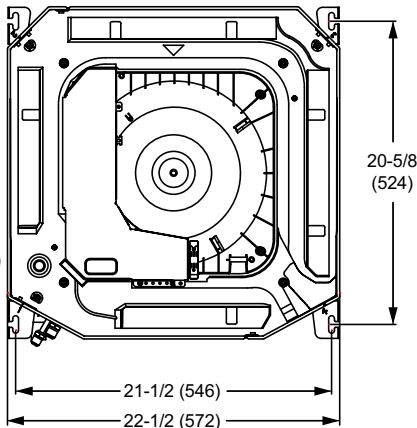
M22A009S4, M22A012S4, M22A018S4



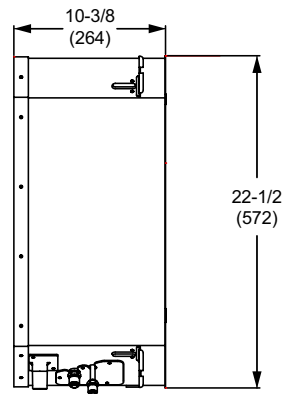
SIDE VIEW



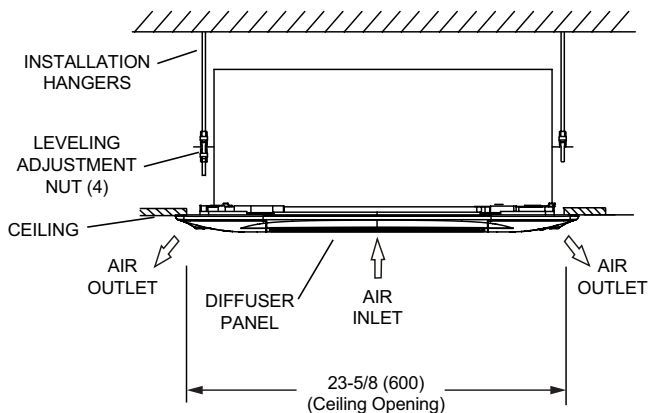
LEFT SIDE VIEW



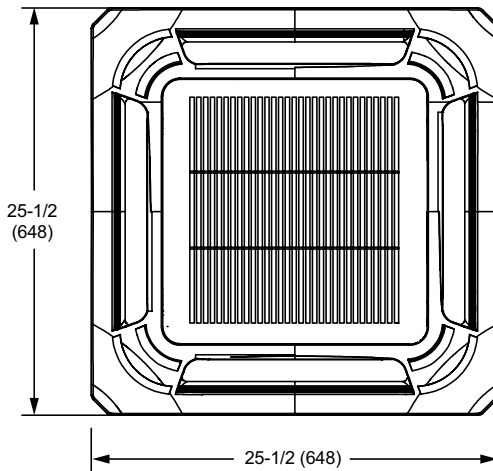
BOTTOM VIEW (Body)



RIGHT SIDE VIEW



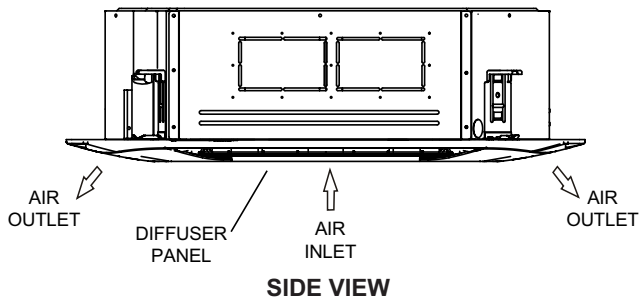
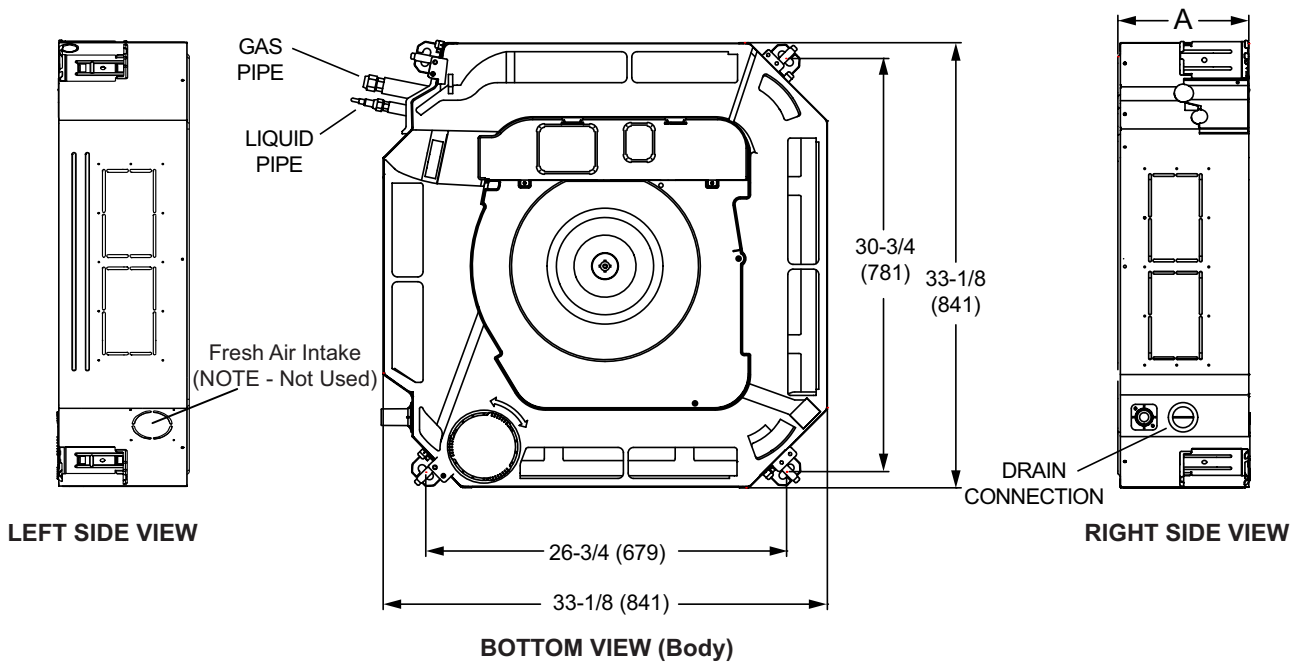
SIDE VIEW



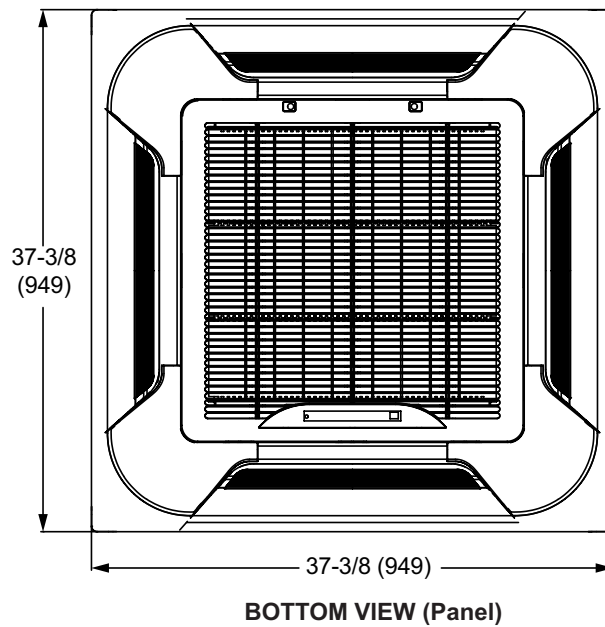
BOTTOM VIEW (Panel)

DIMENSIONS - CASSETTE INDOOR UNITS

M33A024S4, M33A036S4, M33B048S4

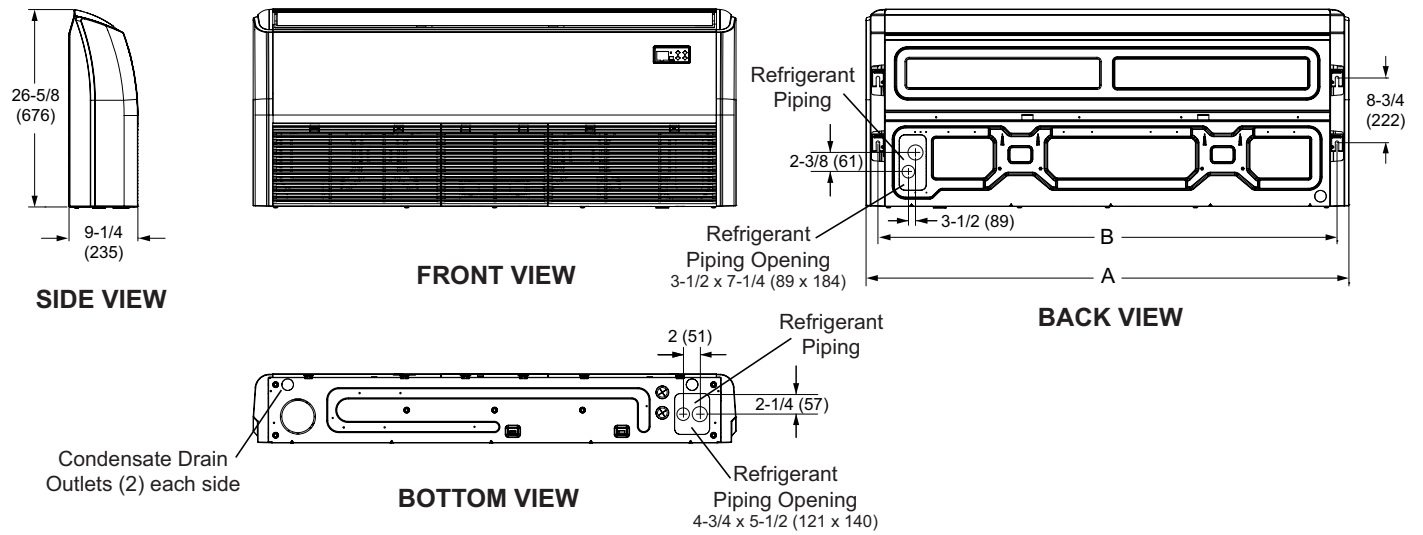


Size	A	
	in.	mm
024	8-1/8	206
036	9-5/8	244
048	11-1/4	286



DIMENSIONS - CEILING/FLOOR MOUNT INDOOR UNITS

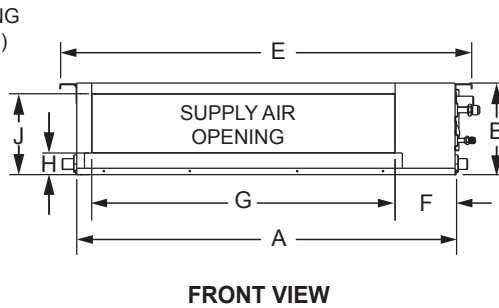
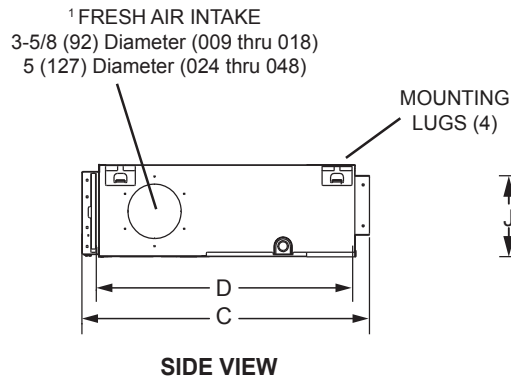
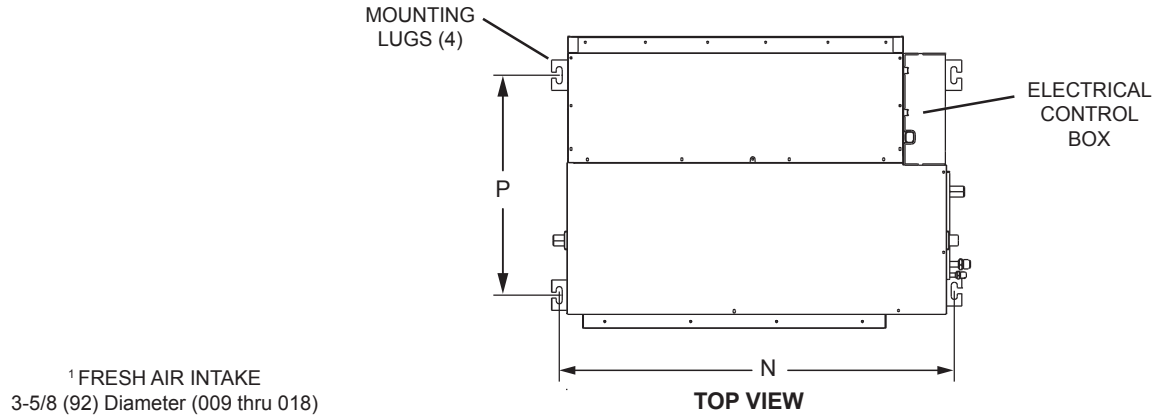
MCFB018S4, MCFA024S4, MCFA036S4, MCFA048S4



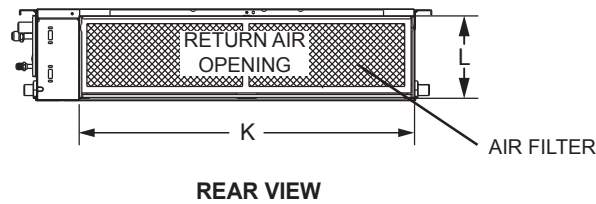
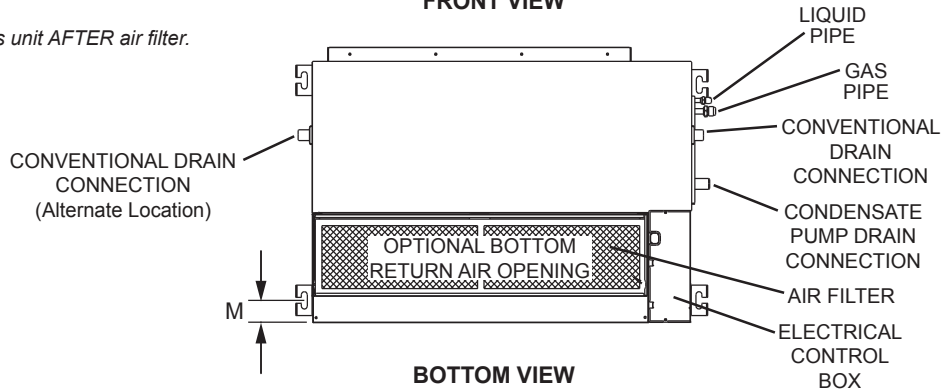
Model No.	A		B	
	in.	mm	in.	mm
018	42	1067	37	940
024	42-1/8	1070	39	991
036	50-5/8	1286	47-3/8	1203
048	65	1651	61-3/4	1568

DIMENSIONS - MEDIUM STATIC DUCTED INDOOR UNITS

MMDB009S4, MMDB012S4, MMDB018S4, MMDB024S4, MMDB036S4, MMDB048S4



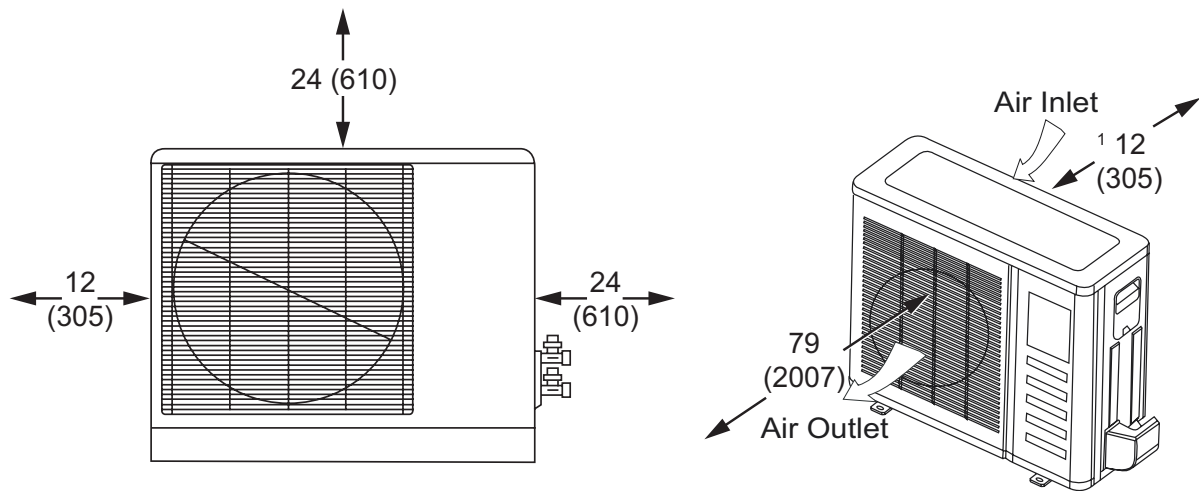
¹ NOTE - Outdoor air enters unit AFTER air filter.



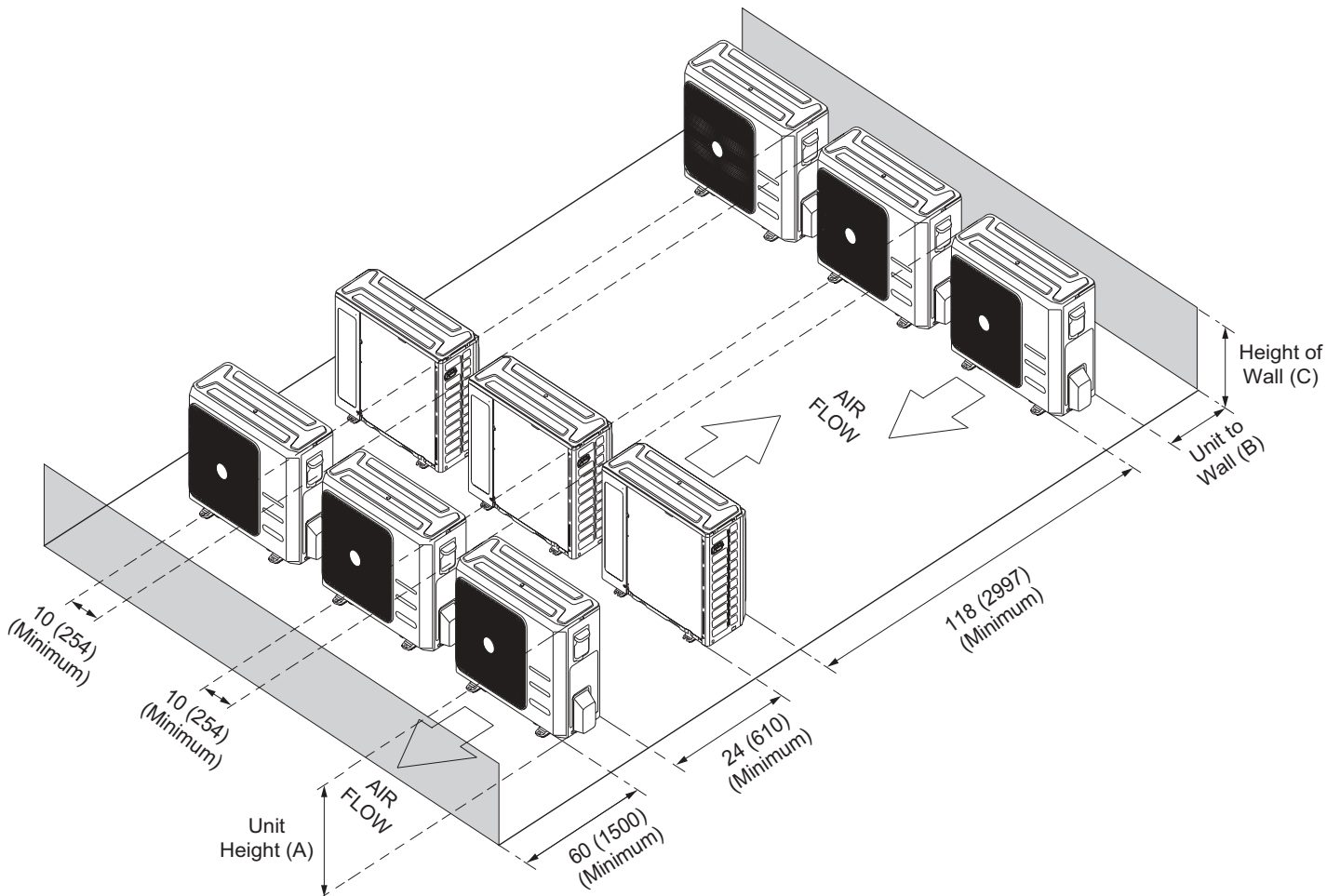
Size	A		B		C		D		E		F		G		H	
	in.	mm	in.	mm	in.	mm	in.	mm	in.	mm	in.	mm	in.	mm	in.	mm
009 thru 012	27-5/8	702	7-7/8	200	19-7/8	505	17-3/4	451	30-3/4	781	5-3/8	137	21-1/8	537	1-1/8	29
018	34-5/8	879	8-1/4	210	26-1/2	673	23-5/8	600	37-7/8	962	5-1/2	140	27-3/4	705	2	51
024	43-1/4	1099	9-3/4	248	30-1/2	775	27-1/2	699	46-1/2	1181	5-1/2	140	36-1/2	927	2	51
036	53-1/2	1359	9-3/4	249	30-1/2	775	27-1/2	699	56-3/4	1441	5-1/2	140	46-3/4	1187	2	51
048	47-1/4	1200	11-7/8	302	34-3/8	873	31-1/2	800	50-1/2	1283	4-7/8	124	41-1/8	1045	2	51

Size	J		K		L		M		N		P	
	in.	mm	in.	mm	in.	mm	in.	mm	in.	mm	in.	mm
009 thru 012	6	152	23-5/8	600	7-3/8	187	2	51	29-1/8	740	14-1/8	359
018	5-3/8	137	30-3/4	781	7-1/2	191	1-5/8	41	36-1/4	921	20	508
024	6-7/8	175	39-3/8	1000	9	229	1/4	6	44-7/8	1140	23-1/2	597
036	6-7/8	175	49-5/8	1260	9	229	1/4	6	55-1/8	1400	23-1/2	597
048	9	229	43-3/8	1102	11	279	1/4	6	48-7/8	1241	27-1/2	699

INSTALLATION CLEARANCES - OUTDOOR UNITS



¹ Minimum rear clearance can be 6 inches (152 mm) when mounted on brackets and with no obstructions on the other three sides.



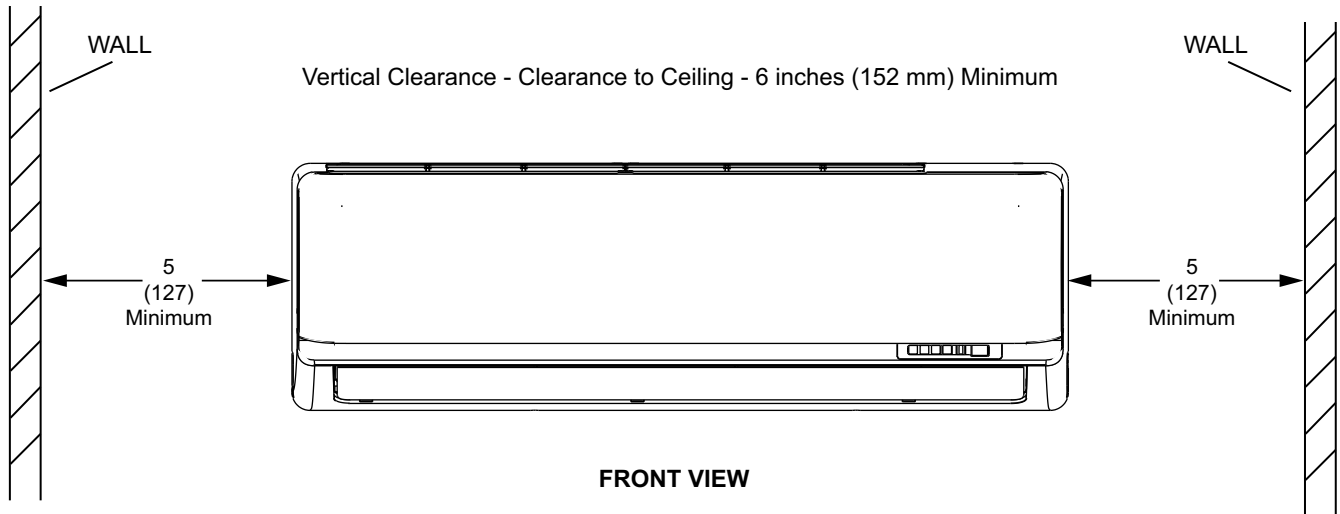
CLEARANCE NOTES FOR MULTIPLE UNITS:

If the height of the wall (C) is less than or equal to the height of the smallest unit (A), the distance from the unit to the wall (B) must be a minimum of 10 inches (254 mm).

If 1/2 the height of the unit (A) is less than the height of the wall (C), the distance from the unit to the wall (B) must be a minimum of 12 inches (305 mm).

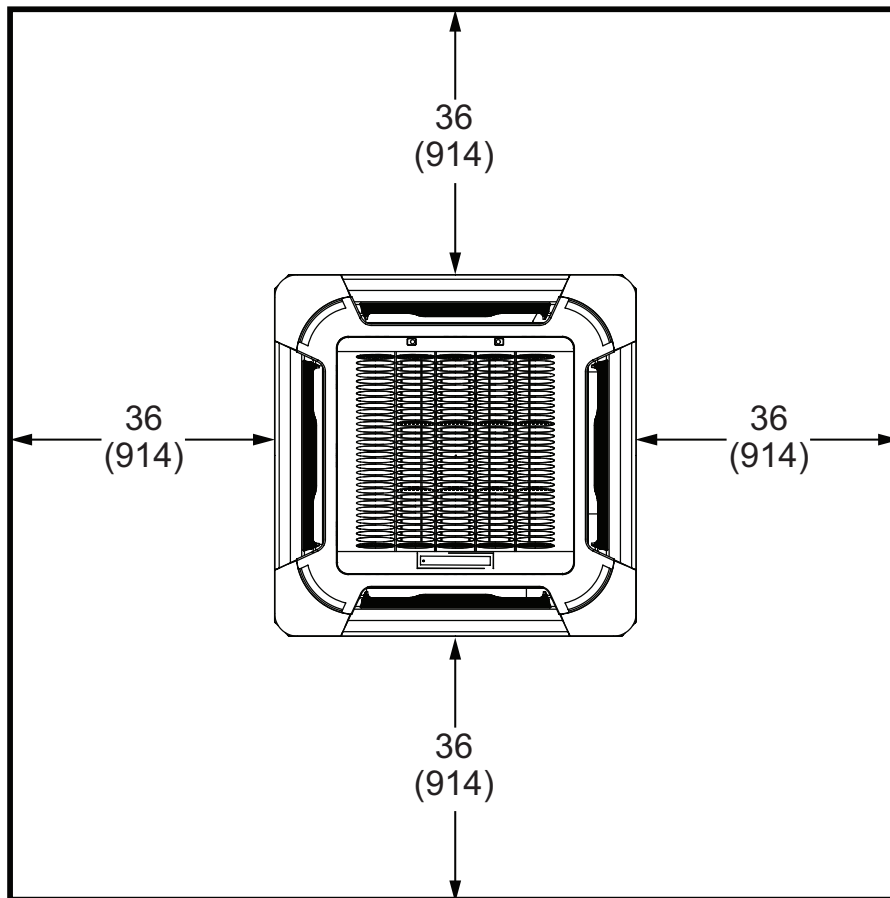
If the height of the wall (C) is greater than the height of the unit (A), the distance from the unit to the wall (B) must be a minimum of 20 inches (508 mm).

INSTALLATION CLEARANCES - WALL-MOUNTED INDOOR UNITS



Vertical Clearance - Clearance to Floor - 72 inches (1829 mm) Minimum
 NOTE - Provide 96 inches (2438) clearance to floor for best performance

INSTALLATION CLEARANCES - CASSETTE INDOOR UNITS



Minimum Vertical Clearances:

Minimum Clearance from Structural Ceiling to Drop Ceiling:

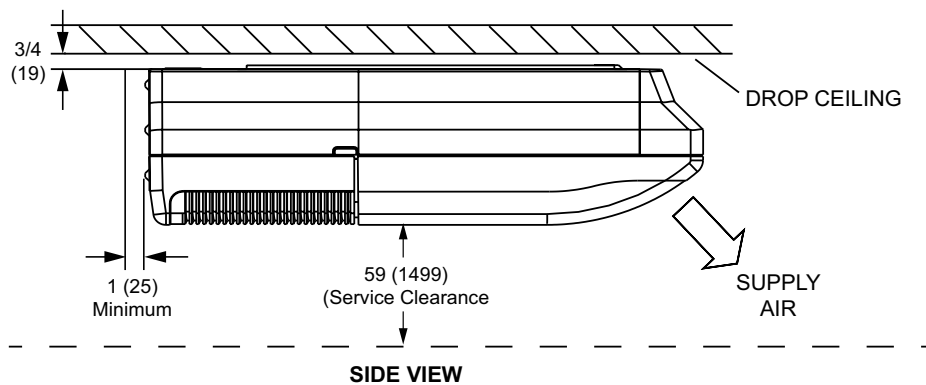
10-1/4 inches (260 mm) - 009, 012, 018, 024 models

13 inches (330 mm) - 036, 048 models

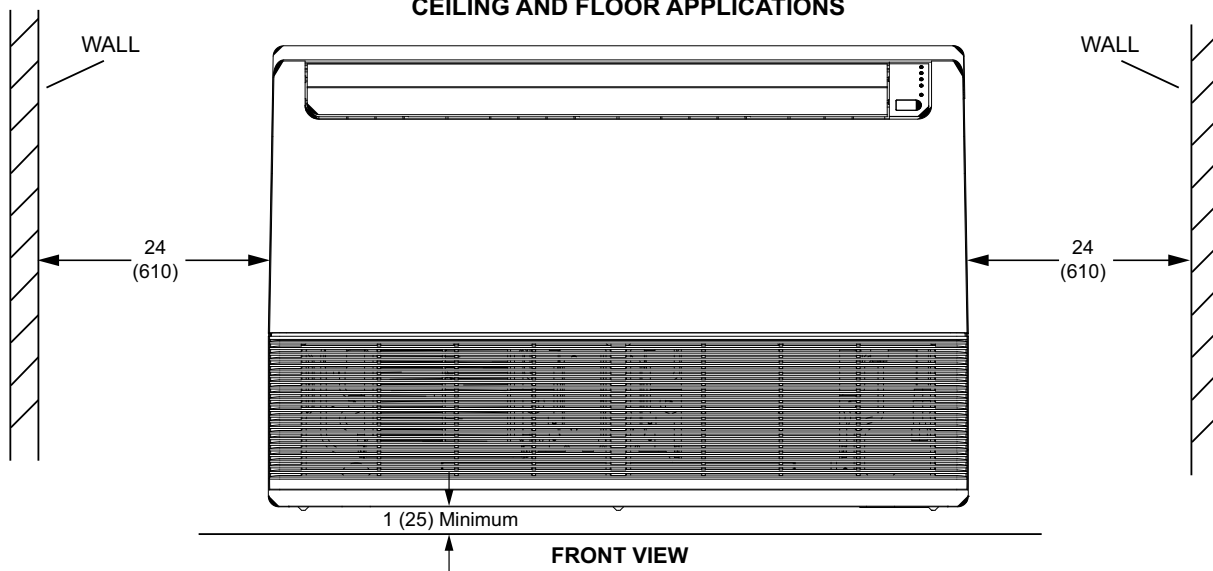
Minimum Clearance to Floor - 98-1/2 inches (2500 mm)

INSTALLATION CLEARANCES - CEILING/FLOOR MOUNT INDOOR UNITS

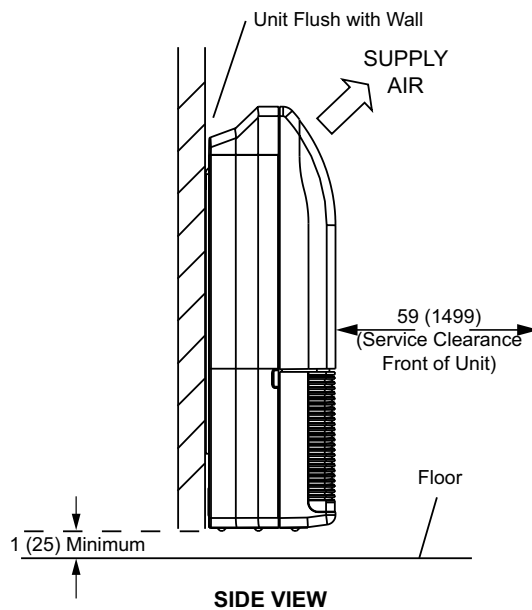
CEILING APPLICATIONS



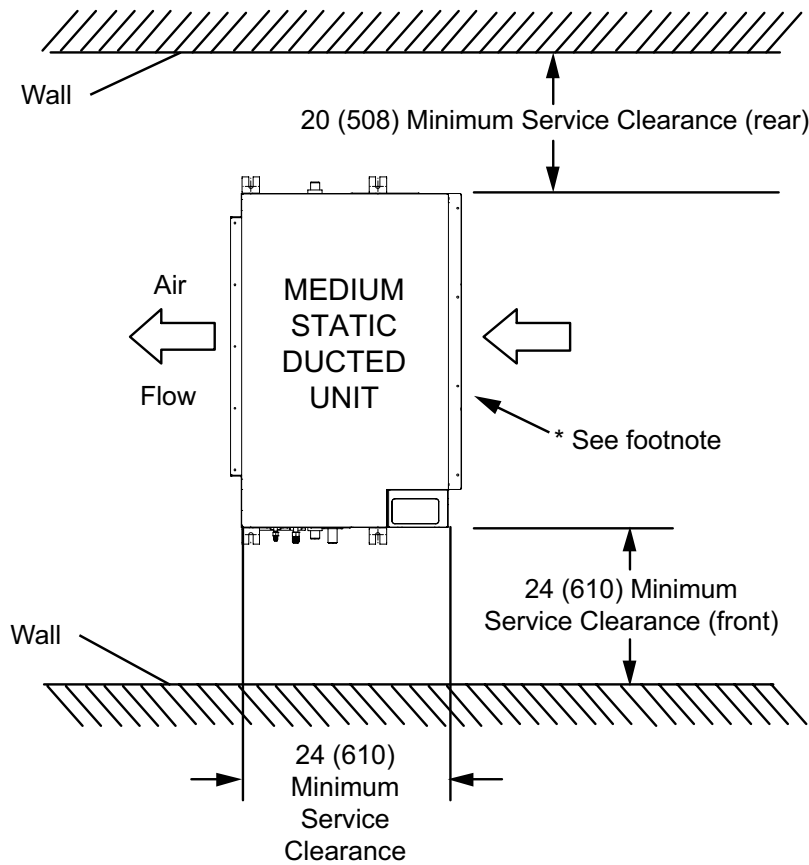
CEILING AND FLOOR APPLICATIONS



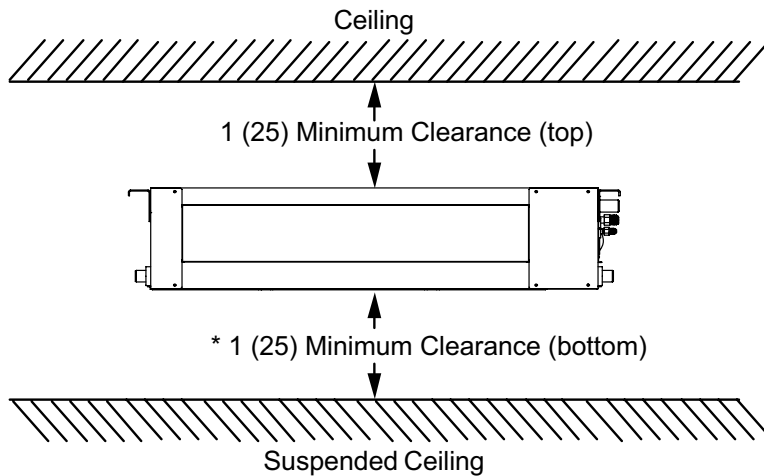
FLOOR APPLICATIONS



INSTALLATION CLEARANCES - MEDIUM STATIC DUCTED INDOOR UNITS



TOP VIEW

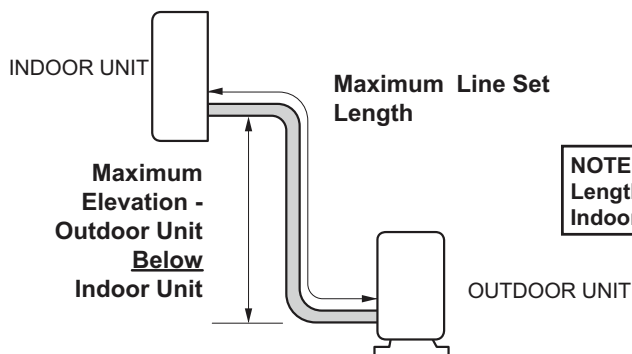


*** NOTE - Bottom unit clearance can be 1 inch (25 mm), but allow 12 inches for filter removal on end return air applications**

FRONT VIEW

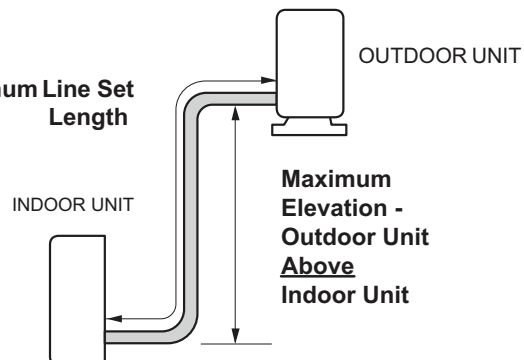
LINE SET AND ELEVATION GUIDELINES

Outdoor Unit BELOW Indoor Unit



NOTE - Minimum Line Set Length - 10 ft. (3 m) per Indoor Unit

Outdoor Unit ABOVE Indoor Unit



Size	Line Set Diameters (in.)		Maximum Elevation - Outdoor Unit <u>Below</u> Indoor Unit ft. (m)	Maximum Elevation - Outdoor Unit <u>Above</u> Indoor Unit ft. (m)	Maximum Line Set Length ft. (m)
	Liquid	Gas			
009	1/4	3/8	33 ft. (10 m)	33 ft. (10 m)	82 ft. (25 m)
012	1/4	1/2	33 ft. (10 m)	33 ft. (10 m)	82 ft. (25 m)
018	1/4	1/2	66 ft. (20 m)	66 ft. (20 m)	98 ft. (30 m)
024, 030	3/8	5/8	82 ft. (25 m)	82 ft. (25 m)	164 ft. (50 m)
036, 048	3/8	5/8	98 ft. (30 m)	98 ft. (30 m)	213 ft. (65 m)

REVISIONS

Sections	Description of Change
AHRI Ratings	Updated.



HRAI
✓ MEMBER COMPANY



Visit us at www.lennox.com

For the latest technical information, www.LennoxPros.com

Contact us at 1-800-4-LENNOX

NOTE - Due to Lennox' ongoing commitment to quality, Specifications, Ratings and Dimensions subject to change without notice and without incurring liability. Improper installation, adjustment, alteration, service or maintenance can cause property damage or personal injury. Installation and service must be performed by a qualified installer and servicing agency.

©2019 Lennox Industries, Inc.