



**RESIDENTIAL
PRODUCT SPECIFICATIONS**

Bulletin No. 210793
September 2019
Supersedes July 2019

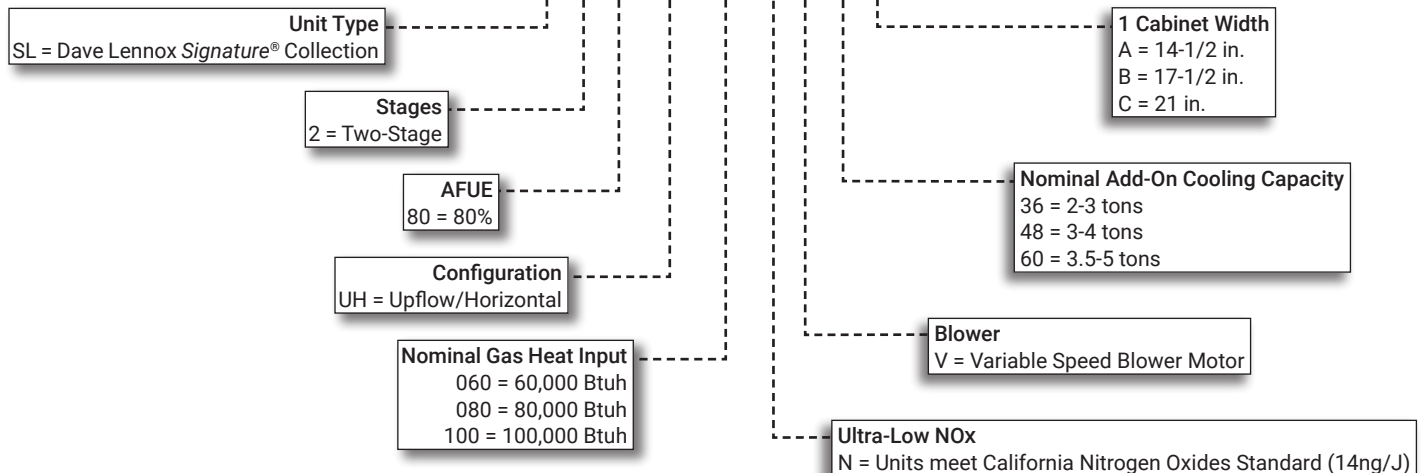


So simple. So smart. So comfortable.

AFUE - 80%
Meets NO_x Limit of 14 ng/J
Input - 60,000 to 100,000 Btuh
Nominal Add-on Cooling - 2 to 5 Tons

MODEL NUMBER IDENTIFICATION

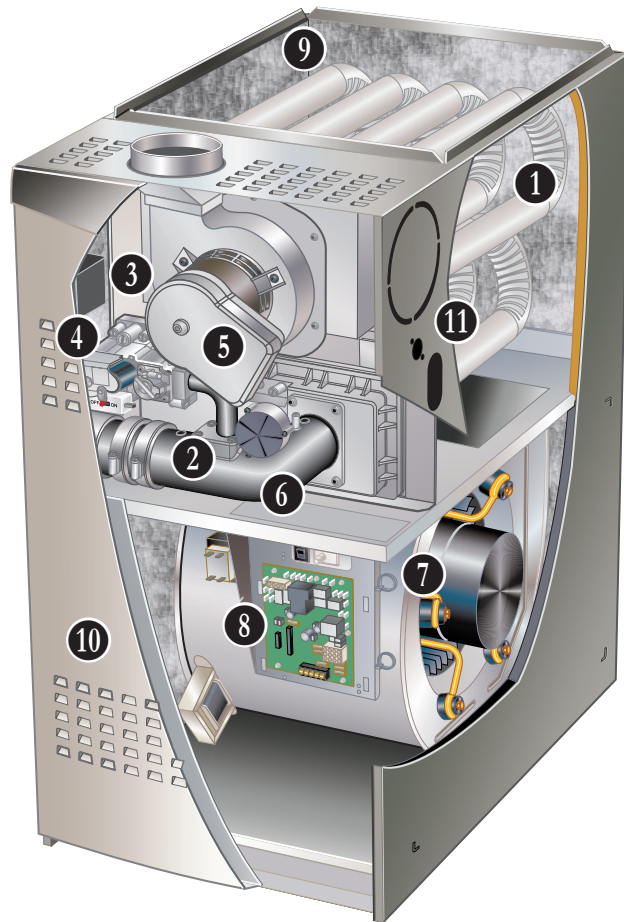
SL 2 80 UH 060 N V 36 A



¹ Indoor coils with the same letter designation physically matches the furnace.

FEATURE HIGHLIGHTS

1. Heat Exchanger Assembly
2. Burner Orifice/Air Intake Assembly
3. SureLight® Hot Surface Ignitor
4. Modulating Gas Control Valve
5. Variable-Speed Combustion Air Inducer
6. Thermal Switch
7. Variable Speed Direct Drive Blower
8. SureLight® Integrated Furnace Control
9. Variable Speed Direct Drive Blower
10. Insulated Cabinet
11. Safety Interlock Switch
12. Gas Piping And Electrical Inlets



NOTE - SL280UHV FURNACES ARE NOT AVAILABLE IN CANADA!
NOTE - SL280UHV 100K FURNACES ARE NATURAL GAS ONLY!
NOTE - SL280UHV FURNACES CANNOT BE TWINNED!
NOTE - NOT AVAILABLE IN ALL AREAS!
CONTACT YOUR NEAREST LENNOX SALES OFFICE FOR DETAILS.

CONTENTS

Approvals and Warranty	3
Blower Data	15
Dimensions - Furnace/Coil Combined Dimensions	14
Dimensions - Optional Accessories	13
Dimensions - Unit - Horizontal Position	12
Dimensions - Unit - Upflow Position	11
Features	3
Gas Heat Accessories	10
High Altitude Operation	10
Installation Clearances	8
Optional Accessories - Order Separately	10
Specifications	9

APPROVALS AND WARRANTY

APPROVALS

- AHRI Certified
- Tested and rated according to US DOE test procedures and FTC labeling regulations
- Approved by the California Energy Commission and meets California Nitrogen Oxides Standard (NOx) limits of 14 ng/J
- Units are approved for installations from 0 - 4500 ft.
- ISO 9001 Registered Manufacturing Quality System
- Blower data from unit tests conducted in Lennox Laboratory air test chamber

WARRANTY

- Heat Exchanger:
 - Limited twenty years in residential applications
 - Limited ten years in non-residential applications
- All other covered components:
 - Limited ten years in residential installations
 - Limited one year in non-residential installations

NOTE - Refer to Lennox Equipment Limited Warranty certificate included with unit for specific details.

FEATURES

APPLICATIONS

- Input capacities of 60,000, 80,000 and 100,000 Btuh
- Energy efficiency (AFUE) - 80%
- Compact cabinet for upflow, horizontal-left or horizontal-right applications
- Utility room, alcove, closet, crawl space, basement or attic installation
- Lennox add-on indoor coils, high-efficiency air cleaners and humidifiers can easily be added to furnace
- Shipped factory assembled with all controls installed and wired
- Ready for installation in upflow or horizontal right-hand position without any modifications
- Horizontal left-hand requires repositioning of pressure switch
- Removable bottom seal panel shipped in place for side return air is easily removed for bottom/end return air applications
- Each unit factory test operated to ensure proper operation

ZONING APPLICATIONS

- The SL280V furnace is designed to work with the Lennox iHarmony® Zoning System with the iComfort® Communicating Thermostat
- The iHarmony® Zoning System provides direct feedback to the furnace, controlling both airflow and heat output to precisely match the comfort requirements for up to four zones

HEATING SYSTEM

- 1 Heat Exchanger Assembly**
 - Heavy gauge aluminized steel heat exchanger
 - Tubular design
 - Designed for normal expansion and contraction

- Round surfaces create minimum resistance to air flow for excellent heat transfer
- Laboratory life cycle tested in excess of industry standards
- Compact size permits low overall design of furnace cabinet

- 2 Burner Orifice/Air Intake Assembly**

- Burner assembly has a single orifice located between the gas valve and the air intake assembly
- Orifice is precisely matched to the burner input
- Burner can be removed for servicing

- 3 SureLight® Hot Surface Ignitor**

- Tough, reliable, long-life, trouble-free performance
- Silicon nitride ignitor
- 120 volt
- Cemented to steatite block for protection against current leakage
- Ignition leads are constructed of nickel plated copper and are enclosed in high temperature Teflon® insulation for dependable operation

- 4 Modulating Gas Control Valve**

- 24 volt redundant combination modulating gas control valve combines manual shut off switch (On-Off), automatic electric valve (dual) and gas pressure regulation into a compact combination control

- 5 Variable-Speed Combustion Air Inducer**

- Heavy duty variable-speed blower prepurges heat exchanger and safely vents flue products
- Pressure switch (low fire/high fire) proves blower operation before allowing gas valve to open
- Operates only during heating cycle

FEATURES

HEATING SYSTEM (continued)

6 Thermal Switch

- Factory installed on air/fuel intake assembly
- Automatic reset
- Switch provides protection from abnormal operating conditions

Limit Controls

- Primary limit is accurately located on vestibule panel on all units
- Automatic reset

Optional Accessories

Natural Gas to LPG/Propane Conversion Kit (60K and 80K Input Furnaces Only)

- Required for field changeover from natural gas to LPG/Propane
- Includes gas and air orifices

Vent Adaptor (Upflow Applications Only)

- Allows venting through a masonry chimney without the need of a flue liner

- Manual reset temperature sensor protects against abnormal operating conditions

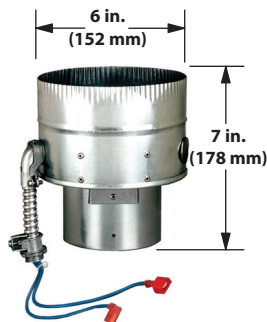
- Sensor wiring may be routed from either side of adaptor

- Minimum winter design temperatures:

- -10°F when used with interior masonry chimneys

- +5°F when used with exterior masonry chimneys

NOTE - Refer to Winter Design Temperatures Map on page 8 for application information. Also refer to the installation instructions for detailed information.



BLOWER

7 Variable Speed Direct Drive Blower

- Each blower assembly statically and dynamically balanced
- Blower assembly easily removed for servicing

Variable Speed Blower Motor

- Variable speed motor maintains specified air volume from 0 though 0.8 in. w.g. (heating) and 0 through 1.0 in. w.g. (Cooling) static range

- Variable speed operation is achieved by the use of an ECM (Electronically Commutated Motor) motor

- Motor is controlled by furnace control

- Change in blower speed is easily accomplished by simple DIP switch change on furnace control

- See Blower Data tables

- Motor is resiliently mounted

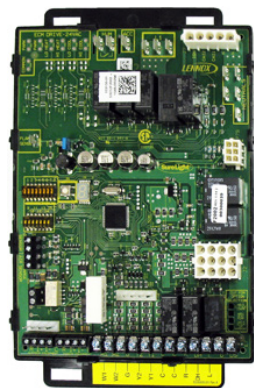
NOTE - When furnaces are used with the iHarmony® Zoning System and the iComfort® Communicating Thermostat, the blower motor operates from

predetermined minimum - maximum air volumes to satisfy zone requirements.

CONTROLS

8 SureLight® Control (iComfort® Communicating)

- Advanced control communicates information about various operating parameters in the furnace to the optional iComfort® Communicating Thermostat to constantly maintain the highest level of comfort and performance available



- **Auto Configuration** - On start-up the control automatically sends a description of the unit to the optional iComfort® Communicating Thermostat to automatically configure the number of stages and features available

- Terminals for connecting a conventional heating/cooling thermostat are also provided on the control

- Control also features Innovative AirFlex™ technology which allows custom blower settings based on the application

NOTE - For optimal performance, the use of a high-quality, digital two-stage thermostat with adjustable settings for first stage/second stage, on/off differentials and adjustable stage timers is recommended.

Furnace Input Staging Options

Thermostat Type	Input Staging Available
iComfort® Thermostat	Two-Stage (65 and 100%)
Two-Stage (Conventional)	
Single-Stage (Conventional)	

- **Safety Controls** - Flame sensor utilizes flame rectification for safe and reliable operation
- Should flame fail to ignite, control will initiate 4 re-attempts at ignition before locking out unit operation for 60 minutes
- Watchguard type circuit automatically resets ignition control after one hour of continuous thermostat demand after unit lockout, eliminating nuisance calls for service
- **Display LED** - Seven segment LED displays alpha-numeric information related to diagnostics as well as system operation and status
- Diagnostic codes are held in non-volatile memory, immune from power interruptions
- Holds up to ten diagnostic codes in order of occurrence for recall on demand
- Port on blower door allows for easy viewing

FEATURES

CONTROLS (continued)

DIP Switch Settings

- **Select Thermostat Used** - Single-Stage or Two-Stage
- Two selectable second stage recognition times (7 and 12 minutes) are available on the control when the furnace is used with a single-stage thermostat
- When used with a two-stage thermostat, furnace will only initiate second stage operation with a second stage thermostat demand
- **Heating Speeds** - A combination of DIP switch settings allow the following motor speed selection settings within the heating speed selected for fine tuning air volume:
 - Factory default
 - 6%, 12%, 18% or 24% increase
 - 6%, 12% or 18% decrease
- See Blower Performance tables
- **Cooling Speeds** - A combination of DIP switch settings allow the following motor speed selection settings within the cooling speed selected for fine tuning air volume:
 - Factory default
 - 10% increase
 - 10% decrease
- See Blower Performance tables
- **Blower Speed Ramping (Cooling Mode)** - DIP switch settings allow one of four blower speed profiles during cooling operation.
 - **Profile A (factory setting)** - Motor runs at 50% for 30 seconds, then at 82% for 7-1/2 minutes, then at 100% (if needed) until demand is satisfied. Once demand is met, motor runs at 50% for 30 seconds, then ramps down to stop
 - **Profile B** - Motor runs at 82% for 7-1/2 minutes and then at 100% (if needed) until demand is satisfied. Once demand is met, motor ramps down to stop
 - **Profile C** - Motor runs at 100% until demand is satisfied. Once demand is met, motor runs at 100% for 60 seconds, then ramps down to stop
 - **Profile D** - Motor runs at 100% until demand is satisfied. Once demand is met, motor ramps down to stop
- **Dehumidification (Active or Humiditrol® Option)** - A jumper on the control must be clipped to enable active dehumidification and/or operation with a Humiditrol® Whole-Home Dehumidification System
- A humidity controlling thermostat or device is also required
- During a call for cooling, air volume is automatically reduced, forcing humidity removal by the air conditioner or heat pump system (single stage units or two-stage units running at 2nd stage)
- After the humidity has reached the desired set-point the cooling air volume returns to its designed rate
- A dehumidification signal from the thermostat reduces the cooling cfm to 70% of the requested cooling cfm
- **Dual-Fuel Operation** - A jumper on the control must be clipped to enable operation with a single or two-stage heat pump
- The indoor blower is started without delay when a call for heat is received
- **Two-Stage Compressor Operation** - A jumper on the control must be clipped to enable operation with a two-stage compressor
- The cooling blower speeds for first and second stage cooling will be dictated by the applicable DIP switch settings
- **Lennox System Operations Monitor Connection** - Monitors outdoor unit operation (communicating mode)
- **Blower On/Off Time (Heating)** - Blower on time is fixed at 30 seconds, blower off time is adjustable from 60, 90, 120 and 180 seconds (factory setting - 90 seconds)
- **Blower On/Off Time (Cooling)** - For air-conditioning applications, blower on time is 2 seconds following thermostat demand for cooling
- See "Blower Speed Ramping (Cooling Mode)" profiles for various blower off details
- Controls evaporator humidity by controlling blower and compressor speed on two-stage outdoor units when used with the iComfort® Communicating Thermostat
- **Continuous Blower Speed** - Adjustable continuous blower speed is a percentage of the high cooling speed selection
- Four selectable options (via DIP switch settings) of 28%, 38% (default setting), 70% and 100%
- **Accessory Terminal** - One accessory terminal furnished for additional power supply requirements for 120 volt (less than 1 amp) powered IAQ accessories
- One un-powered pair of contacts are provided for humidifier connections and may be connected to 24V or 120V
- Control is factory installed in the unit control box

24 Volt Transformer

- Furnished and factory installed in control box
- 40VA transformer has circuit breaker wired in series

Field Wiring Make-Up Box

- Furnished for line voltage wiring
- Factory installed internally on left side of furnace
- Box may be installed internally or externally on either side of furnace

FEATURES

CONTROLS (continued)

Optional Accessories

iComfort® S30 Ultra-Smart Wi-Fi Thermostat (part of the iComfort® Residential Communicating Control System)

- Recognizes and connects to all iComfort® Communicating products to automatically configure and control the heating/cooling system (based on user-specified settings) for the highest level of comfort, performance and efficiency
- Recognizes model and serial number information for iComfort® Communicating products to simplify system setup
- Wi-Fi remote temperature monitoring and adjustment through a home wireless network for desktop PCs, laptops and apps for smartphones or tablets
- Smart home automation compatible with Apple HomeKit™, Amazon Alexa®, Google Assistant and IFTTT
- Service alerts and reminders sent via text message or e-mail
- Dealer Dashboard features online real-time monitoring of installed iComfort® Communicating systems
- Simple easy-to-use touchscreen allows complete system configuration
- Scheduled maintenance alerts, system warnings and troubleshooting are also displayed on thermostat screen
- Easy to read 7 inch high definition color display (measured diagonally)
- Conventional outdoor units (not iComfort® Communicating) can easily be added and controlled by the iComfort® S30 Thermostat
- Installer setup screens allow quick and simple system configuration without a manual, Installer can also run tests on complete system or individual components for easy maintenance and troubleshooting
- Serial communications bus (RSBus), with less wiring than a conventional heating/cooling system, allows system communication
- Uses 4-wire, 18-gauge standard thermostat wiring
- High Definition Color Display, Mag-Mount, Smart Hub Controller, wallplate (for retrofit installations) furnished for easy installation



Remote Outdoor Temperature Sensor

- Used with the iComfort® S30 Smart Wi-Fi Thermostat
- Outdoor sensor allows thermostat to display outdoor temperature
- Automatically detected when connected to thermostat



NOTE - Sensor is required for the Enhanced Dehumidification Accessory (EDA).

NOTE - Sensor is furnished as standard with iComfort® Communicating outdoor units, optional for conventional units.

Thermostat

- Thermostat is not furnished with unit
- Lennox Price Book for selection

NOTE - See the iComfort® S30 Thermostat Product Specifications bulletin in the Controls section for more information.

FEATURES

CABINET

NOTE - Flue outlet is on top of cabinet only! If furnace is installed horizontally, the flue must be vented vertically after exiting the top of the cabinet (upflow furnace position) or end of the cabinet (horizontal furnace position)!

- Low-profile, narrow width cabinet allows easy installation
- Heavy-gauge, cold rolled steel construction
- Pre-painted cabinet finish
- Flanges provided on supply air opening for ease of plenum connection or alignment with indoor coil
- 9 • Insulated cabinet with foil faced insulation on sides and back of heating compartment and mat faced insulation in blower compartment
- Sealed blower compartment
- Inner blower compartment access panel seals blower compartment from air leakage
- 10 • Cabinet door can be removed without any tools
- Complete service access
- Safety interlock switch automatically shuts off power to unit when inner blower compartment access panel is removed
- 11 • Gas piping and electrical inlets are provided in both sides of cabinet on "B" and "C" width models.

NOTE - Gas piping is only available on the left side of the cabinet on "A" width models.

Bottom/Side Return Air Entry:

- Upflow/horizontal with bottom return air entry:
 - Remove furnished bottom seal panel from cabinet
- Upflow only with side return-air entry:
 - Corners are marked on either side of cabinet for return air cut-out
- See dimension drawings

NOTE - 60C size units that require air volumes over 1800 cfm must have one of the following:

- Single side return air and Optional Return Air Base with transition that must accommodate required 20 x 25 x 1 inch air filter to maintain proper velocity
- Bottom return air
- Return air from both sides
- Bottom and one side return air
- See Blower Performance Tables for additional information

Coil Match-Up

- All furnaces exactly match Lennox cased upflow indoor coils and horizontal indoor coils with same letter designation (A, B, C, D) in model number
- No adaptor required
- Engaging holes furnished on cabinet for alignment
- Lennox uncased coils match furnaces without any overhang but require an optional adaptor base or field fabricated transition to match furnace opening

- See coil bulletin for additional information

Low Leakage Cabinet

- All models have less than 2% air leakage
- Meets ANSI/ASHRAE Standard 193-2010 "Method of Test for Determining the Air Tightness of HVAC Equipment"

Optional Accessories

Horizontal Suspension Kit

- Provides suspension of unit and indoor coil in horizontal applications
- Allows complete service access
- Consists of corner mounted hanging brackets with vibration isolators, return air end support rail and hardware for assembly
- Metal hanging straps must be field provided

Return Air Base

NOTE - On furnaces with side return air and condensate trap on the same side of the cabinet, a field fabricated transition or Return Air Base is required when using an IAQ product higher than 14-3/16 inches installed next to the unit and serviced from the front. IAQ products higher than 20 inches require a field fabricated transition.

NOTE - Must be used for 60C size models with air volumes over 1800 cfm in upflow applications when only one side return is required.

- Cabinet is shipped flat for easy field assembly
- Pre-painted steel to match the furnace
- See Dimension Drawing

FILTER (not furnished)

- Filter and provisions for external mounting must be field provided

Optional Accessories

Air Filter and Rack Kit for Horizontal Return Air (End) Applications

- Washable or vacuum cleanable polyurethane frame type filter and external end return air rack
- Rack has filter door for servicing
- Flanges on rack for duct connection
- Field installed
- See dimension drawing

Air Filter and Rack Kit for Upflow Side Return Air

NOTE - Not for use with Return Air Base

- Washable or vacuum cleanable polyurethane frame type filter and external side return air rack available for field installation
- Available in single and ten pack kits
- Rack has filter door for servicing
- Flanges on rack for duct connection
- Field installs on either side of unit cabinet
- See dimension drawing

99% WINTER DESIGN TEMPERATURES FOR THE CONTIGUOUS UNITED STATES



This map is a necessarily generalized guide to temperatures in the contiguous United States. Temperatures shown for areas such as mountainous regions and large urban centers may not be accurate. The data used to develop this map was taken from the 1993 ASHRAE Fundamentals Handbook (Chapter 24, Table 1: Climate Conditions for the United States). Reprinted with permission from NFPA 54: National Fuel Gas Code 1999, National Fire Protection Association, Quincy, MA 02269. This reprinted material is not the complete and official position of the National Fire Protection Association on the referenced subject, which is represented only by the standard in its entirety.

INSTALLATION CLEARANCES

UPFLOW POSITION

Vent Type	Type B1	Type C
Top, Sides and Back	1 (25)	1 (25)
Front	2-1/4 (57)	2-1/4 (57)
Front (service/alcove)	24 (610)	24 (610)
Floor	Combustible	Combustible
Flue	1 (25)	6 (152)

NOTE - Air for combustion must conform to the methods outlined in the National Fuel Gas Code (NFPA 54/ANSI-Z223.1).

NOTE - In the U.S. flue sizing must conform to the methods outlined in the current National Fuel Gas Code (NFPA 54/ANSI-Z223.1) or applicable provisions of local building codes.

¹ Left side requires 4 in. if single wall vent is used on 14-1/2 in. cabinets, 2 in. on 17-1/2 in. cabinets.

HORIZONTAL POSITION

Vent Type	Type B1	Type C
Top and Back	1 (25)	1 (25)
End	¹ 2	¹ 2
Front	2-1/4 (57)	2-1/4 (57)
Front (service)	24 (610)	24 (610)
Floor	Combustible	Combustible
Flue	1 (25)	6 (152)

NOTE - Air for combustion must conform to the methods outlined in the National Fuel Gas Code (NFPA 54/ANSI-Z223.1).

NOTE - In the U.S. flue sizing must conform to the methods outlined in the current National Fuel Gas Code (NFPA 54/ANSI-Z223.1) or applicable provisions of local building codes.

¹ Line contact installation permissible between jacket top or sides and building joists.

SPECIFICATIONS

Gas	Model No.	SL280UH060NV36A	SL280UH080NV48B
Heating Performance	¹ AFUE	80%	80%
High Fire	Input - Btuh	60,000	80,000
	Output - Btuh	48,000	64,000
	Temperature rise range - °F	30 - 60	30 - 60
	Gas Manifold Pressure (in. w.g.) Natural Gas Only	3.4	3.4
	Low Fire	Input - Btuh	39,000
Output - Btuh		31,000	41,000
Temperature rise range - °F		20 - 50	20 - 50
Gas Manifold Pressure (in. w.g.) Natural Gas Only		1.5	1.5
High static - in. w.g.		Heating	0.8
	Cooling	1.0	1.0
Connections in.	Flue connection – in. round	4	4
	Gas pipe size IPS	1/2	1/2
Indoor Blower	Wheel nominal diameter x width - in.	10 X 8	11-1/2 X 9
	Motor output - hp	1/2	1.0
	Tons of add-on cooling	2 - 3	2.5 - 4
	Air Volume Range - cfm	606 - 1345	679 - 2002
Electrical Data	Voltage	120 volts - 60 hertz - 1 phase	
	Blower motor full load amps	7.7	12.8
	Maximum overcurrent protection	15	20
Shipping Data	lbs. - 1 package	112	138

NOTE - Filters and provisions for mounting are not furnished and must be field provided.

¹ Annual Fuel Utilization Efficiency based on DOE test procedures and according to FTC labeling regulations. Isolated combustion system rating for non-weatherized furnaces.

SPECIFICATIONS

Gas	Model No.	SL280UH080NV60C	SL280UH100NV60C
Heating Performance	¹ AFUE	80%	80%
High Fire	Input - Btuh	80,000	100,000
	Output - Btuh	64,000	80,000
	Temperature rise range - °F	30 - 60	30 - 60
	Gas Manifold Pressure (in. w.g.) Natural Gas Only	3.4	3.4
	Low Fire	Input - Btuh	52,000
Output - Btuh		41,000	52,000
Temperature rise range - °F		20 - 50	25 - 50
Gas Manifold Pressure (in. w.g.) Natural Gas Only		1.5	1.5
High static - in. w.g.		Heating	0.8
	Cooling	1.0	1.0
Connections in.	Flue connection – in. round	4	4
	Gas pipe size IPS	1/2	1/2
Indoor Blower	Wheel nominal diameter x width - in.	11-1/2 X 10	11-1/2 X 10
	Motor output - hp	1.0	1.0
	Tons of add-on cooling	3 - 5	3 - 5
	Air Volume Range - cfm	826 - 2305	812 - 2125
Electrical Data	Voltage	120 volts - 60 hertz - 1 phase	
	Blower motor full load amps	12.8	12.8
	Maximum overcurrent protection	20	20
Shipping Data	lbs. - 1 package	157	161

NOTE - Filters and provisions for mounting are not furnished and must be field provided.

¹ Annual Fuel Utilization Efficiency based on DOE test procedures and according to FTC labeling regulations. Isolated combustion system rating for non-weatherized furnaces.

OPTIONAL ACCESSORIES - ORDER SEPARATELY

NOTE - FURNACES CANNOT BE TWINNED!

		"A" Width Models	"B" Width Models	"C" Width Models
CABINET ACCESSORIES				
Horizontal Suspension Kit - Horizontal only		51W10	51W10	51W10
Return Air Base - Upflow only		65W75	50W98	50W99
CONTROLS				
iComfort® S30 Ultra-Smart Wi-Fi Thermostat		12U67	12U67	12U67
¹ Remote Outdoor Air Temperature Sensor		X2658	X2658	X2658
² Discharge Air Temperature Sensor		88K38	88K38	88K38
FILTERS				
³ Air Filter and Rack Kit	Horizontal (end)	87L95	87L96	87L97
	Size of filter - in.	14 x 25 x 1	18 x 25 x 1	20 x 25 x 1
	Side Return	44J22	44J22	44J22
	Ten Pack	66K63	66K63	66K63
	Size of filter - in.	16 x 25 x 1	16 x 25 x 1	16 x 25 x 1
VENTING				
Vent Adaptor – 6 in. connection size upflow applications only		18M79	18M79	18M79

¹ Remote Outdoor Temperature Sensor is used with conventional (non-iComfort®-enabled) outdoor units (sensor is furnished with iComfort®-enabled outdoor units). Allows the thermostat to display outdoor temperature. Required in dual-fuel and Humiditrol® applications.

² Optional for service diagnostics.

³ Cleanable polyurethane, frame-type filter.

GAS HEAT ACCESSORIES

Input	Natural Gas to LPG/Propane Kit
	0 - 4500 ft.
060	20P40
080	20P41
100	N/A

NOTE - Natural Gas to LPG/Propane Kit is not available for 40K Input furnaces.

HIGH ALTITUDE OPERATION

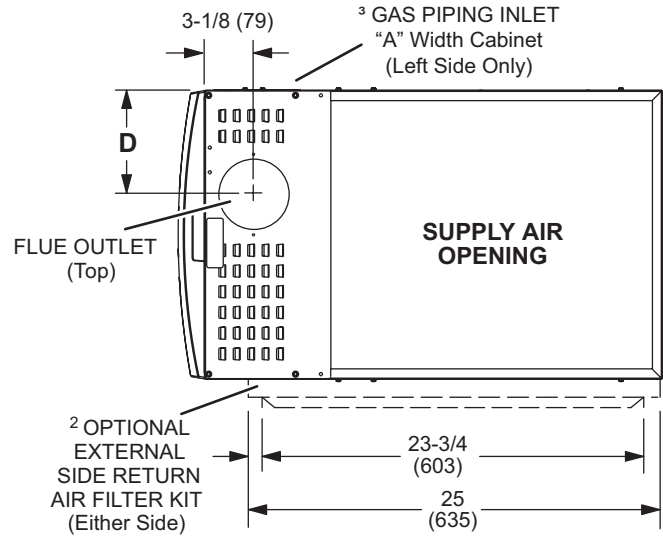
NOTE - Units may be installed at altitudes up to 4500 ft. above sea level without any modification. No modifications are required. At altitudes above 2000 ft. the furnace will naturally derate approximately 10%.

DIMENSIONS - UNIT - UPFLOW POSITION

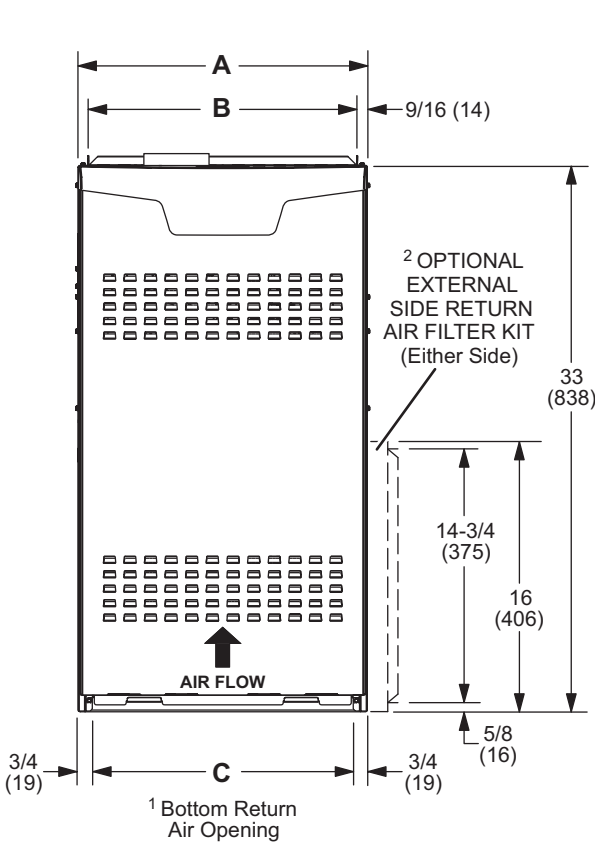
- ¹ NOTE - 60C size units that require air volumes over 1800 cfm must have one of the following:
1. Single side return air and Optional Return Air Base with transition that must accommodate required 20 x 25 x 1 inch (508 x 635 x 25 mm) air filter to maintain proper velocity.
 2. Bottom return air.
 3. Return air from both sides.
 4. Bottom and one side return air.
- See Blower Performance Tables for additional information.

² Optional External Side Return Air Filter Kit is not for use with the optional Return Air Base.

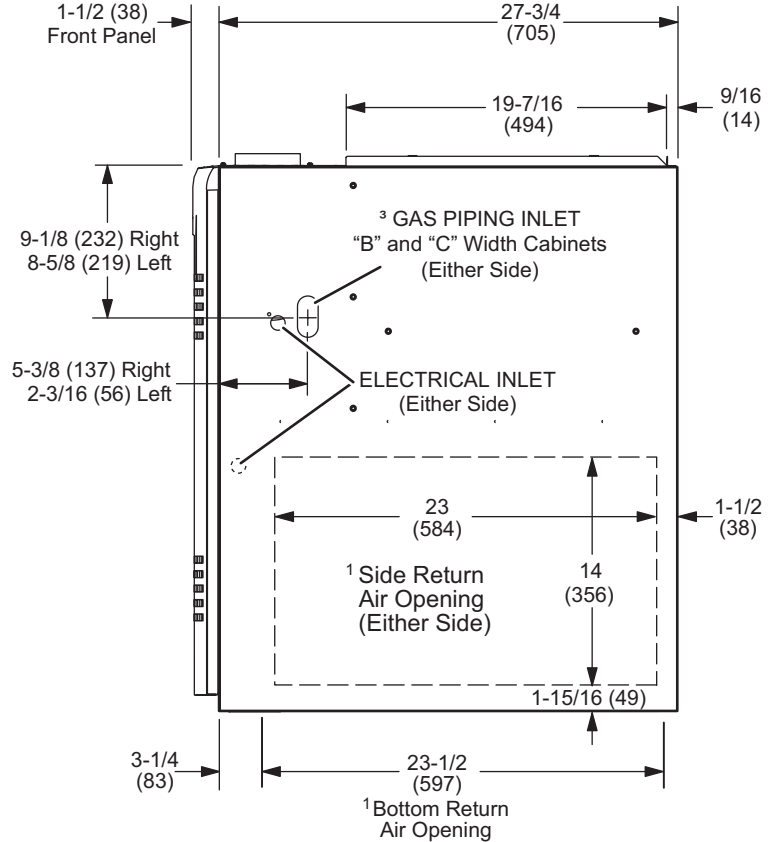
³ NOTE - Gas entry is only available on the left side of the cabinet for "A" width cabinet models.



TOP VIEW



FRONT VIEW

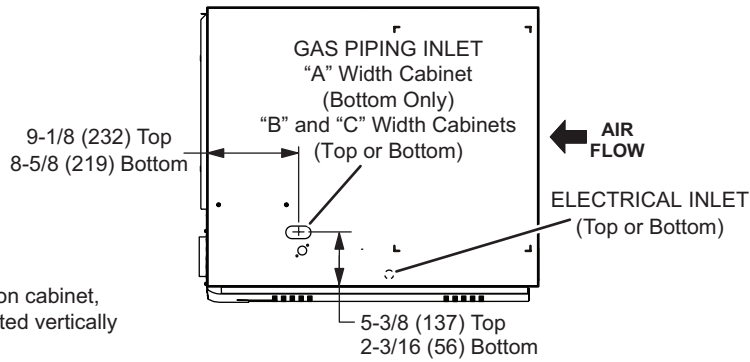


SIDE VIEW

Model No.	A		B		C		D	
	in.	mm	in.	mm	in.	mm	in.	mm
SL280UH060NV36A	14-1/2	368	13-3/8	340	13	330	4-3/4	121
SL280UH080NV48B	17-1/2	446	16-3/8	416	16	406	6-1/4	159
SL280UH080NV60C	21	533	19-7/8	504	19-1/2	495	8	203
SL280UH100NV60C								

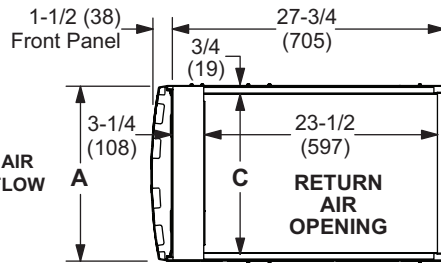
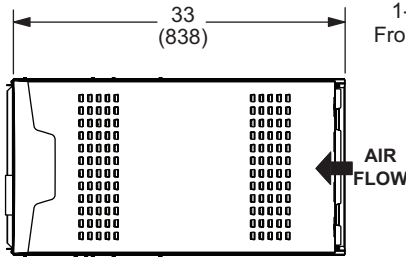
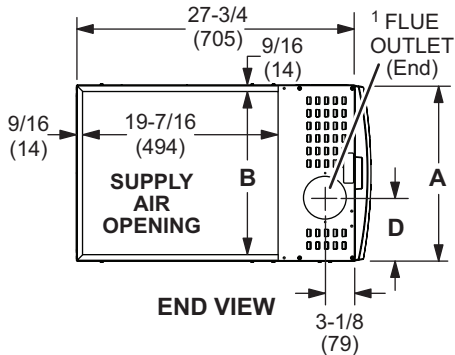
DIMENSIONS - UNIT - HORIZONTAL POSITION

LEFT-HAND AIR DISCHARGE

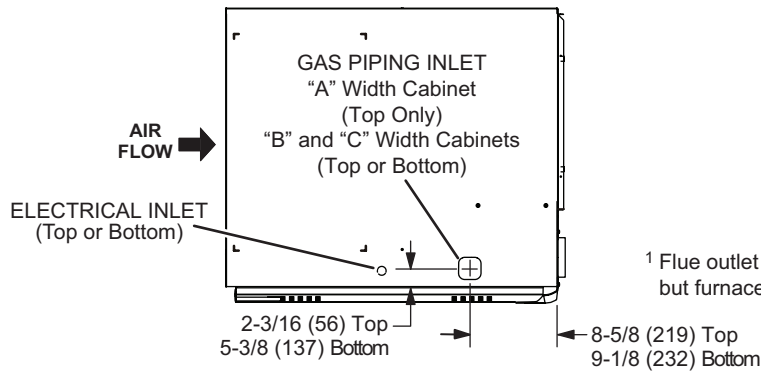


¹ Flue outlet is horizontal on cabinet, but furnace must be vented vertically

TOP VIEW

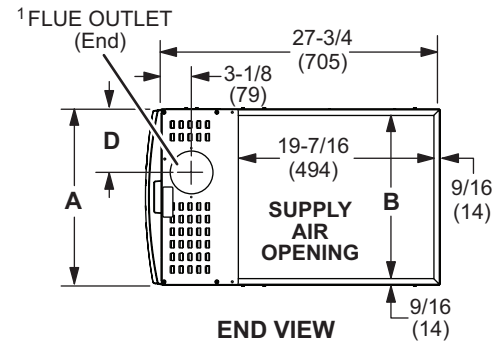
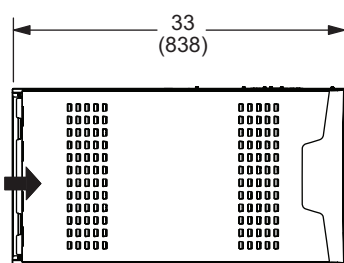
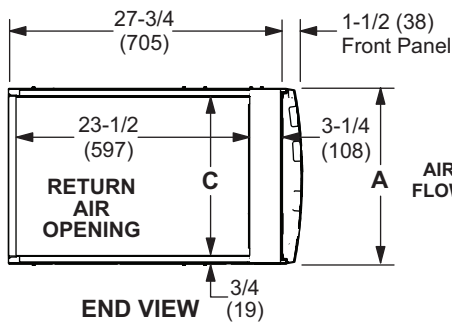


RIGHT-HAND AIR DISCHARGE



¹ Flue outlet is horizontal on cabinet, but furnace must be vented vertically

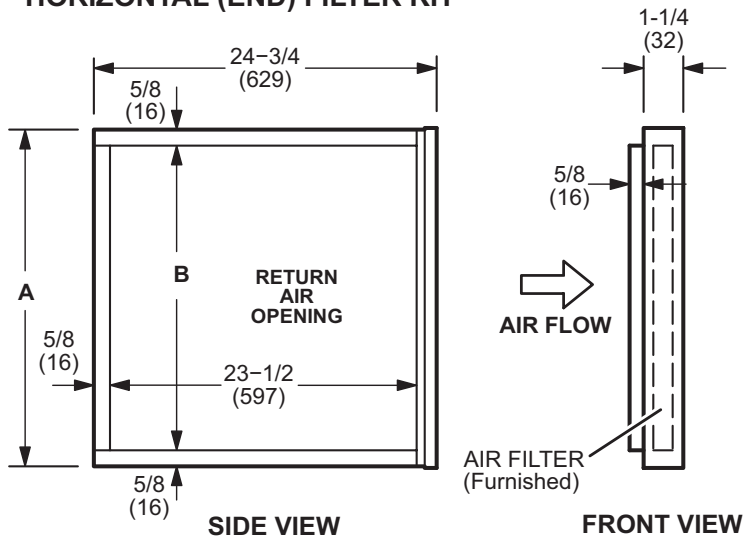
TOP VIEW



Model No.	A		B		C		D	
	in.	mm	in.	mm	in.	mm	in.	mm
SL280UH060NV36A	14-1/2	368	13-3/8	340	13	330	4-3/4	121
SL280UH080NV48B	17-1/2	446	16-3/8	416	16	406	6-1/4	159
SL280UH080NV60C	21	533	19-7/8	504	19-1/2	495	8	203
SL280UH100NV60C								

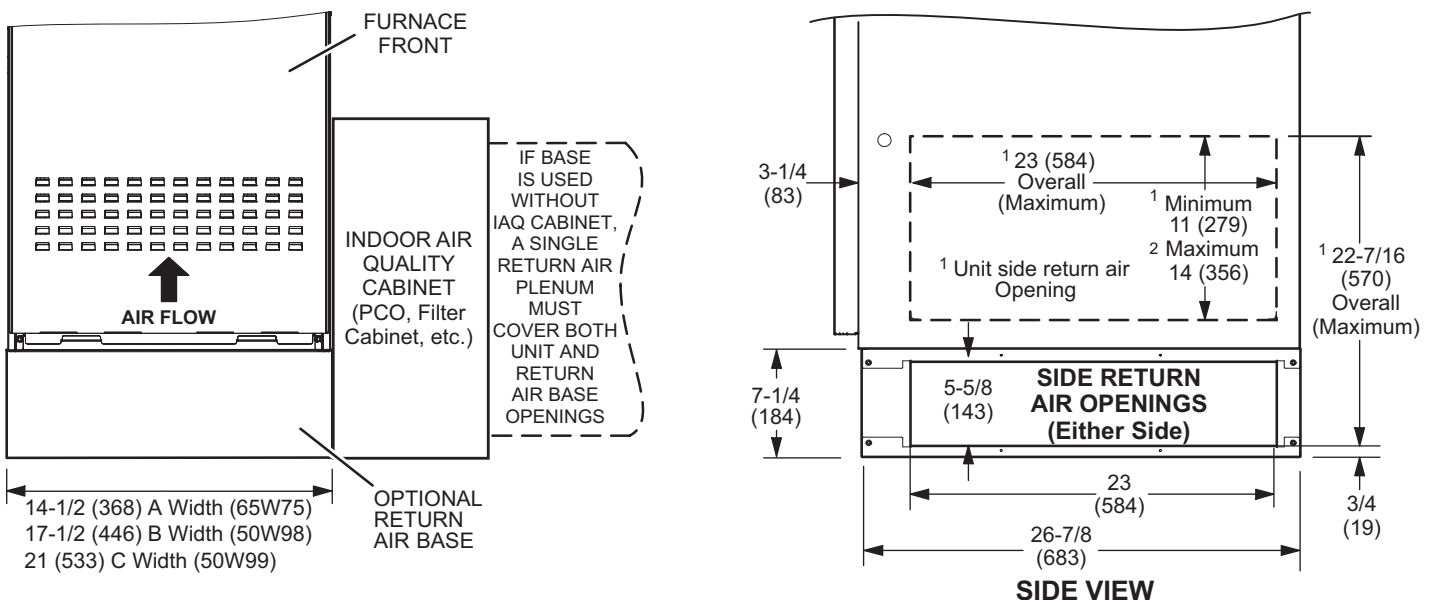
DIMENSIONS - OPTIONAL ACCESSORIES

HORIZONTAL (END) FILTER KIT



Furnace Cabinet Width	Catalog Number	A		B	
		in.	mm	in.	mm
A	87L95	14	356	12-3/4	324
B	87L96	18	457	16-3/4	425
C	87L97	21	533	18-3/4	476

Optional Return Air Base (Upflow Applications Only - For use with A, B and C width cabinets)



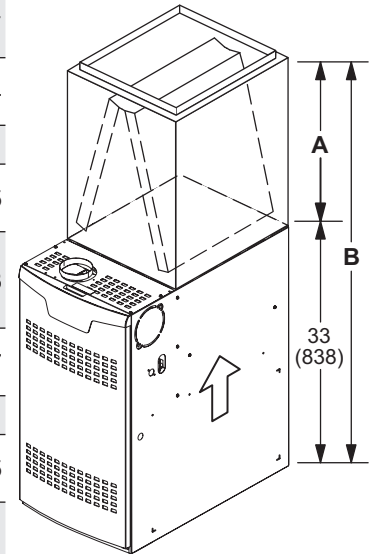
NOTE- Optional Side Return Air Filter Kits are not for use with Optional Return Air Base.

- Both the unit return air opening and the base return air opening must be covered by a single plenum or IAQ cabinet. Minimum unit side return air opening dimensions for units requiring 1800 cfm or more of air (W x H): 23 x 11 in. (584 x 279 mm). The opening can be cut as needed to accommodate plenum or IAQ cabinet while maintaining dimensions shown. Side return air openings must be cut in the field. There are cutting guides stenciled on the cabinet for the side return air opening. The size of the opening must not extend beyond the markings on the furnace cabinet.
- To minimize pressure drop, the largest opening height possible, up to 14 in. (356 mm), is preferred.

DIMENSIONS - FURNACE/COIL COMBINED DIMENSIONS

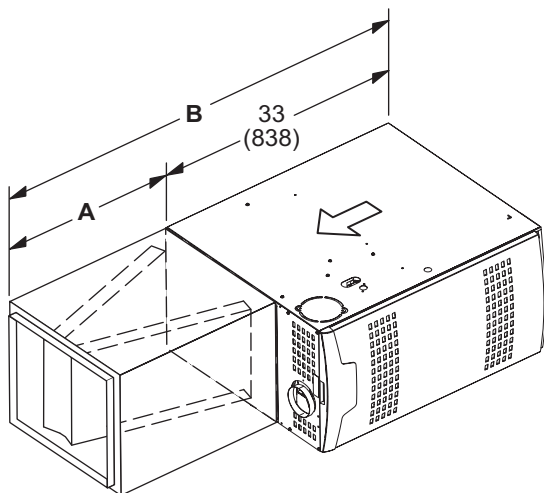
UPFLOW POSITION

Model No			C35/C37/CX35/CX38 Cased				C35 Uncased			
			A		B		A		B	
C35/CX35	C37	CX38	in.	mm	in.	mm	in.	mm	in.	mm
C35/CX35-18/24A C35/CX35-18/24B	---	---	16-1/2	419	49-1/2	1257	14-1/8	359	47-1/8	1197
C35/CX35-24A C35/CX35-24B	C37-25A C37-25B	CX38-25A CX38-25B	18-1/2	470	51-1/2	1308	16-3/8	416	49-3/8	1254
---	---	CX38-30A	20-1/2	521	53-1/2	1359	---	---	---	---
C35/CX35-30A C35/CX35-30B	C37-31A C37-31B	CX38-31A CX38-31B	22-1/2	572	55-1/2	1410	20-3/4	527	53-3/4	1365
C35/CX35-30/36A C35/CX35-30/36B C35/CX35-30/36C	C37-36A C37-36B C37-36C	CX38-36A CX38-36B CX38-36C	24-1/2	622	57-1/2	1461	22-1/4	565	55-1/4	1403
C35/CX35-36A C35/CX35-36B	C37-38A C37-38B	CX38-38A CX38-38B	24-1/2	622	57-1/2	1461	22-3/8	568	55-3/8	1407
---	C37-42B	CX38-42B	24-1/2	622	57-1/2	1461	---	---	---	---
C35/CX35-48B C35/CX35-48C	C37-43B C37-43C	CX38-43B CX38-43C	27-1/2	699	60-1/2	1537	26-1/4	667	59-1/4	1505
---	C37-48B C37-48C	CX38-44/48B CX38-44/48C	24-1/2	622	57-1/2	1461	---	---	---	---
C35/CX35-49C	C37-49C	CX38-49C	29-1/2	749	62-1/2	1588	28-1/2	724	61-1/2	1562
C35/CX35-50/60C	C37-50/60C	CX38-50/60C	27-1/2	699	60-1/2	1537	25-7/8	657	58-7/8	1495
CX35-60C	C37-62C	CX38-62C	31-1/2	800	64-1/2	1638	30-5/8	778	63-5/8	1616



HORIZONTAL POSITION

Model No.	A		B	
	in.	mm	in.	mm
CH33				
CH33-18A	21-1/2	546	54-1/2	1384
CH33-24/30A, CH33-36A, CH33-36B, CH33-36C, CH33-44/48B, CH33-50/60C,	26-1/2	673	59-1/2	1511
	31-1/2	800	64-1/2	1638
CH35				
CH35-18A, CH35-24A, CH35-24B, CH35-30B,	26-1/2	673	59-1/2	1511
CH35-30A, CH35-42B, CH35-48B,	31-1/2	880	64-1/2	1638
CHX35				
CHX35-18A, CHX35-24A, CHX35-24B, CHX35-30B,	26-1/2	673	59-1/2	1511
CHX35-30A, CHX35-42B, CHX35-48B,	31-1/2	880	64-1/2	1638



BLOWER DATA

SL280UH060NV36A BLOWER PERFORMANCE (less filter)

BOTTOM RETURN AIR

0 through 0.8 in. w.g. (Heating) and 0 through 1.0 in. w.g. (Cooling) External Static Pressure Range

HEATING

¹ Heating Speed DIP Switch Settings	First Stage Heating Speed - cfm				Second Stage Heating Speed - cfm			
	+24%	1030				1140		
+18%	965				1075			
+12%	925				1020			
+6%	870				965			
Factory Default	825				915			
-6%	775				865			
-12%	735				810			
-18%	685				760			

COOLING

¹ Cooling Speed DIP Switch Settings	First Stage Cooling Speed - cfm				Second Stage Cooling Speed - cfm			
	Low	Medium-Low	Medium-High	² High	Low	Medium-Low	Medium-High	² High
+	595	715	815	920	845	1015	1175	1340
Factory Default	565	680	735	840	790	945	1070	1215
-	510	610	695	780	715	845	980	1120

¹ Cooling and heating speeds are based on a combination of DIP switch settings on the furnace control. Refer to Installation Instructions for specific DIP Switch Settings.

² Factory default setting.

NOTES - The effect of static pressure is included in air volumes shown.

First stage HEAT is approximately 91% of the same second stage HEAT.

First stage COOL (two-stage air conditioning units only) is approximately 70% of the same second stage COOL speed position.

Continuous Fan Only speed is selectable at 28% and 38% of the selected second stage cooling speed - minimum 250 cfm.

Lennox iHarmony® Zoning System Applications - Minimum blower speed is 250 cfm.

SL280UH060NV36A BLOWER MOTOR WATTS (COOLING)

¹ Cooling Speed DIP Switch Settings	Motor Watts @ Various External Static Pressures - in. w.g.																				
	First Stage										Second Stage										
	0	0.1	0.2	0.3	0.4	0.5	0.6	0.7	0.8	0	0.1	0.2	0.3	0.4	0.5	0.6	0.7	0.8	0.9	1.0	
+ Setting																					
Cooling Speed	Low	14	30	46	57	73	88	99	110	131	49	66	83	101	120	135	153	172	190	208	228
	Med-low	29	45	61	76	93	107	121	142	150	85	102	119	140	161	182	203	221	242	266	285
	Med-High	39	58	77	95	113	129	145	161	183	138	160	182	193	217	245	267	293	316	341	359
	High	64	81	98	118	135	155	172	190	214	205	232	259	280	300	330	358	383	413	435	466
Factory Default																					
Cooling Speed	Low	10	24	38	51	65	78	94	105	120	37	53	69	86	100	121	136	151	170	188	205
	Med-low	20	36	52	66	81	91	116	131	147	66	82	98	115	137	157	174	193	212	232	258
	Med-High	41	51	61	79	94	113	133	150	165	109	120	131	154	178	199	219	243	261	288	308
	High	43	62	81	98	114	128	149	167	187	140	167	194	211	234	255	282	306	333	352	382
- Setting																					
Cooling Speed	Low	4	19	34	47	57	72	87	99	113	23	40	57	73	87	102	119	140	157	170	189
	Med-low	14	29	44	57	71	86	103	115	132	37	58	79	96	116	131	148	166	186	201	226
	Med-High	16	34	52	68	82	98	113	132	150	81	92	103	121	143	164	182	202	224	242	265
	High	35	49	63	82	96	113	131	148	166	120	131	142	161	190	210	232	256	277	302	318

BLOWER DATA

SL280UH060NV36A BLOWER PERFORMANCE (less filter)

SINGLE SIDE RETURN AIR

0 through 0.8 in. w.g. (Heating) and 0 through 1.0 in. w.g. (Cooling) External Static Pressure Range

HEATING

¹ Heating Speed DIP Switch Settings	First Stage Heating Speed - cfm	Second Stage Heating Speed - cfm
+24%	985	1100
+18%	950	1050
+12%	875	1000
+6%	850	935
Factory Default	800	890
-6%	750	840
-12%	700	790
-18%	680	740

COOLING

¹ Cooling Speed DIP Switch Settings	First Stage Cooling Speed - cfm				Second Stage Cooling Speed - cfm			
	Low	Medium-Low	Medium-High	² High	Low	Medium-Low	Medium-High	² High
+	575	700	800	890	835	990	1145	1300
Factory Default	535	630	745	825	760	890	1020	1185
-	475	580	645	750	690	820	950	1055

¹ Cooling and heating speeds are based on a combination of DIP switch settings on the furnace control. Refer to Installation Instructions for specific DIP Switch Settings.

² Factory default setting.

NOTES - The effect of static pressure is included in air volumes shown.

First stage HEAT is approximately 91% of the same second stage HEAT.

First stage COOL (two-stage air conditioning units only) is approximately 70% of the same second stage COOL speed position.

Continuous Fan Only speed is selectable at 28% and 38% of the selected second stage cooling speed - minimum 250 cfm.

Lennox iHarmony® Zoning System Applications - Minimum blower speed is 250 cfm.

SL280UH060NV36A BLOWER MOTOR WATTS (COOLING)

¹ Cooling Speed DIP Switch Settings	Motor Watts @ Various External Static Pressures - in. wg.																			
	First Stage										Second Stage									
	0	0.1	0.2	0.3	0.4	0.5	0.6	0.7	0.8	0	0.1	0.2	0.3	0.4	0.5	0.6	0.7	0.8	0.9	1.0

+ Setting

Cooling Speed	Low	7	23	39	51	65	84	98	107	118	40	55	70	88	104	125	144	162	182	207	221
	Med-low	15	33	51	67	83	99	122	139	151	47	71	95	115	142	159	184	206	223	249	269
	Med-High	34	48	62	83	99	116	135	160	179	78	107	136	158	189	207	242	265	288	312	333
	High	43	63	83	99	123	141	159	182	200	129	158	187	222	247	278	301	328	361	402	430

Factory Default

Cooling Speed	Low	9	23	37	48	65	78	88	98	116	27	43	59	77	94	108	128	153	169	182	198
	Med-low	13	31	49	60	77	96	108	119	133	52	66	80	100	123	137	158	176	196	223	256
	Med-High	27	42	57	73	91	111	127	148	160	83	94	105	134	152	169	201	228	252	273	293
	High	31	47	63	81	103	123	140	157	179	86	115	144	165	194	222	245	274	300	327	350

- Setting

Cooling Speed	Low	7	18	29	41	56	68	81	92	104	14	32	50	64	81	95	116	130	144	158	169
	Med-low	19	28	37	53	69	84	95	109	119	14	39	64	85	103	120	139	156	180	202	215
	Med-High	15	29	43	60	73	94	114	124	140	45	65	85	102	124	146	169	188	201	227	244
	High	17	34	51	76	89	109	124	147	162	61	86	111	135	152	180	205	226	254	277	296

BLOWER DATA

SL280UH080NV48B BLOWER PERFORMANCE (less filter)

BOTTOM RETURN AIR

0 through 0.8 in. w.g. (Heating) and 0 through 1.0 in. w.g. (Cooling) External Static Pressure Range

HEATING

¹ Heating Speed DIP Switch Settings	First Stage Heating Speed - cfm				Second Stage Heating Speed - cfm			
	+24%	1350				1500		
+18%	1270				1420			
+12%	1200				1340			
+6%	1130				1270			
Factory Default	1060				1190			
-6%	970				1130			
-12%	880				1025			
-18%	845				950			

COOLING

¹ Cooling Speed DIP Switch Settings	First Stage Cooling Speed - cfm				Second Stage Cooling Speed - cfm			
	Low	Medium-Low	Medium-High	² High	Low	Medium-Low	Medium-High	² High
+	640	870	1030	1200	1020	1310	1535	1750
Factory Default	590	770	925	1100	935	1200	1400	1600
-	545	635	750	960	815	1080	1260	1430

¹ Cooling and heating speeds are based on a combination of DIP switch settings on the furnace control. Refer to Installation Instructions for specific DIP Switch Settings.

² Factory default setting.

NOTES - The effect of static pressure is included in air volumes shown.

First stage HEAT is approximately 91% of the same second stage HEAT.

First stage COOL (two-stage air conditioning units only) is approximately 70% of the same second stage COOL speed position.

Continuous Fan Only speed is selectable at 28% and 38% of the selected second stage cooling speed - minimum 380 cfm.

Lennox iHarmony® Zoning System Applications - Minimum blower speed is 380 cfm.

SL280UH080NV48B BLOWER MOTOR WATTS (COOLING)

¹ Cooling Speed DIP Switch Settings	Motor Watts @ Various External Static Pressures - in. w.g.																				
	First Stage										Second Stage										
	0	0.1	0.2	0.3	0.4	0.5	0.6	0.7	0.8	0	0.1	0.2	0.3	0.4	0.5	0.6	0.7	0.8	0.9	1.0	
+ Setting																					
Cooling Speed	Low	18	32	46	71	89	109	130	148	169	55	80	105	130	154	181	210	232	254	278	303
	Med-low	32	56	80	103	128	151	180	200	224	132	163	194	216	247	274	305	338	365	392	422
	Med-High	65	86	107	132	158	184	212	236	264	231	254	277	312	343	374	410	436	473	507	539
	High	102	129	156	182	211	245	271	297	328	347	374	401	431	475	505	537	581	613	650	685
Factory Default																					
Cooling Speed	Low	19	31	43	58	75	92	115	131	156	20	50	80	104	134	153	175	201	223	246	273
	Med-low	10	33	56	83	110	126	149	177	198	100	122	144	170	198	231	261	284	312	335	372
	Med-High	39	61	83	112	140	162	186	204	222	160	186	212	246	273	309	334	372	405	435	460
	High	67	97	127	151	178	204	240	255	288	272	292	312	352	382	414	448	488	523	548	586
- Setting																					
Cooling Speed	Low	18	29	40	55	70	84	96	112	124	17	40	63	84	109	132	152	176	199	222	240
	Med-low	15	32	49	67	94	110	138	158	170	56	84	112	134	168	188	218	248	268	291	316
	Med-High	25	45	65	83	113	143	152	181	212	109	137	165	195	221	256	276	309	340	363	391
	High	38	67	96	120	149	178	199	222	250	169	201	233	267	297	327	360	292	421	453	484

BLOWER DATA

SL280UH080NV48B BLOWER PERFORMANCE (less filter)

SINGLE SIDE RETURN AIR

0 through 0.8 in. w.g. (Heating) and 0 through 1.0 in. w.g. (Cooling) External Static Pressure Range

HEATING

¹ Heating Speed DIP Switch Settings	First Stage Heating Speed - cfm	Second Stage Heating Speed - cfm
+24%	1245	1385
+18%	1180	1320
+12%	1130	1245
+6%	1045	1185
Factory Default	1095	1120
-6%	1020	1050
-12%	825	975
-18%	840	865

COOLING

¹ Cooling Speed DIP Switch Settings	First Stage Cooling Speed - cfm				Second Stage Cooling Speed - cfm			
	Low	Medium-Low	Medium-High	² High	Low	Medium-Low	Medium-High	² High
+	600	810	995	1165	995	1265	1490	1680
Factory Default	560	705	855	1050	905	1140	1350	1525
-	540	585	750	910	735	1010	1200	1365

¹ Cooling and heating speeds are based on a combination of DIP switch settings on the furnace control. Refer to Installation Instructions for specific DIP Switch Settings.

² Factory default setting.

NOTES - The effect of static pressure is included in air volumes shown.

First stage HEAT is approximately 91% of the same second stage HEAT.

First stage COOL (two-stage air conditioning units only) is approximately 70% of the same second stage COOL speed position.

Continuous Fan Only speed is selectable at 28% and 38% of the selected second stage cooling speed - minimum 380 cfm.

Lennox iHarmony® Zoning System Applications - Minimum blower speed is 380 cfm.

SL280UH080NV48B BLOWER MOTOR WATTS (COOLING)

¹ Cooling Speed DIP Switch Settings	Motor Watts @ Various External Static Pressures - in. wg.																			
	First Stage										Second Stage									
	0	0.1	0.2	0.3	0.4	0.5	0.6	0.7	0.8	0	0.1	0.2	0.3	0.4	0.5	0.6	0.7	0.8	0.9	1.0

+ Setting

Cooling Speed	Low	19	31	43	62	85	109	138	133	169	53	74	95	118	147	171	195	216	247	262	297
	Med-low	3	32	61	88	109	132	156	185	204	75	115	155	180	205	240	270	295	323	355	386
	Med-High	42	64	86	119	144	168	191	219	245	151	187	223	257	292	334	365	391	431	455	489
	High	77	103	129	164	196	219	247	271	304	247	287	327	358	397	443	480	515	561	600	640

Factory Default

Cooling Speed	Low	17	29	41	56	71	97	105	131	152	37	48	59	96	114	148	171	201	210	232	261
	Med-low	3	27	51	73	98	121	145	163	181	64	89	114	143	172	201	229	258	280	312	336
	Med-High	4	37	70	91	112	140	168	192	222	98	137	176	206	236	274	298	330	358	391	417
	High	44	75	106	134	159	181	210	235	263	156	207	258	286	323	357	399	431	464	493	534

- Setting

Cooling Speed	Low	13	27	41	46	60	82	98	105	134	14	30	46	71	75	123	136	158	181	213	228
	Med-low	14	27	40	63	86	103	121	140	163	31	60	89	116	142	167	192	216	241	279	295
	Med-High	2	27	52	78	94	121	151	169	193	83	110	137	162	192	217	251	276	301	328	359
	High	42	59	76	102	132	153	174	202	231	122	156	190	224	255	291	316	353	385	419	446

BLOWER DATA

SL280UH080NV48B BLOWER PERFORMANCE (less filter)

SIDE RETURN AIR WITH OPTIONAL RETURN AIR BASE

0 through 0.8 in. w.g. (Heating) and 0 through 1.0 in. w.g. (Cooling) External Static Pressure Range

HEATING

¹ Heating Speed DIP Switch Settings	First Stage Heating Speed - cfm				Second Stage Heating Speed - cfm			
	+24%	1300				1445		
+18%	1230				1355			
+12%	1145				1300			
+6%	1215				1225			
Factory Default	1015				1150			
-6%	1050				1070			
-12%	860				1000			
-18%	750				935			

COOLING

¹ Cooling Speed DIP Switch Settings	First Stage Cooling Speed - cfm				Second Stage Cooling Speed - cfm			
	Low	Medium-Low	Medium-High	² High	Low	Medium-Low	Medium-High	² High
+	625	835	1000	1190	1000	1280	1500	1715
Factory Default	590	760	910	1070	910	1180	1360	1560
-	540	655	800	940	760	1040	1230	1380

¹ Cooling and heating speeds are based on a combination of DIP switch settings on the furnace control. Refer to Installation Instructions for specific DIP Switch Settings.

² Factory default setting.

NOTES - The effect of static pressure is included in air volumes shown.

First stage HEAT is approximately 91% of the same second stage HEAT.

First stage COOL (two-stage air conditioning units only) is approximately 70% of the same second stage COOL speed position.

Continuous Fan Only speed is selectable at 28% and 38% of the selected second stage cooling speed - minimum 380 cfm.

Lennox iHarmony® Zoning System Applications - Minimum blower speed is 380 cfm.

SL280UH080NV48B BLOWER MOTOR WATTS (COOLING)

¹ Cooling Speed DIP Switch Settings	Motor Watts @ Various External Static Pressures - in. w.g.																				
	First Stage										Second Stage										
	0	0.1	0.2	0.3	0.4	0.5	0.6	0.7	0.8	0	0.1	0.2	0.3	0.4	0.5	0.6	0.7	0.8	0.9	1.0	
+ Setting																					
Cooling Speed	Low	16	29	42	60	83	103	123	144	167	39	65	91	115	142	167	194	219	245	270	292
	Med-low	19	44	69	93	120	148	165	190	217	105	135	165	196	225	255	282	316	343	374	405
	Med-High	66	82	98	126	142	184	204	226	259	193	225	257	283	319	349	394	427	460	493	527
	High	94	120	146	173	199	233	259	293	318	303	338	373	401	436	474	508	554	593	625	661
Factory Default																					
Cooling Speed	Low	16	29	42	58	75	91	112	133	151	28	50	72	98	120	147	168	194	221	243	268
	Med-low	5	30	55	79	102	120	152	174	192	92	107	122	162	194	216	244	276	301	324	348
	Med-High	16	48	80	105	127	154	186	195	224	144	170	196	221	264	291	315	357	370	412	441
	High	55	84	113	141	170	191	226	246	282	214	248	282	314	344	381	419	447	484	519	554
- Setting																					
Cooling Speed	Low	12	25	38	52	68	80	96	109	124	18	37	56	80	105	126	149	169	195	218	236
	Med-low	17	29	41	68	84	111	130	150	169	49	73	97	125	148	176	203	230	255	281	306
	Med-High	23	41	59	90	113	128	150	185	195	114	132	150	188	209	246	279	292	333	360	392
	High	22	50	78	110	137	164	189	216	240	164	185	206	240	246	292	338	372	397	434	469

BLOWER DATA

SL280UH080NV60C BLOWER PERFORMANCE (less filter)

BOTTOM RETURN AIR, RETURN AIR FROM BOTH SIDES OR RETURN AIR FROM BOTTOM AND ONE SIDE

0 through 0.8 in. w.g. (Heating) and 0 through 1.0 in. w.g. (Cooling) External Static Pressure Range

HEATING

¹ Heating Speed DIP Switch Settings	First Stage Heating Speed - cfm	Second Stage Heating Speed - cfm
+24%	1375	1530
+18%	1330	1450
+12%	1260	1390
+6%	1185	1315
Factory Default	1130	1235
-6%	1050	1165
-12%	980	1090
-18%	940	1020

COOLING

¹ Cooling Speed DIP Switch Settings	First Stage Cooling Speed - cfm				Second Stage Cooling Speed - cfm			
	Low	Medium-Low	Medium-High	² High	Low	Medium-Low	Medium-High	² High
+	1080	1235	1410	1655	1540	1745	2000	2300
Factory Default	975	1125	1290	1500	1390	1595	1815	2130
-	880	1010	1165	1360	1265	1440	1630	1930

¹ Cooling and heating speeds are based on a combination of DIP switch settings on the furnace control. Refer to Installation Instructions for specific DIP Switch Settings.

² Factory default setting.

NOTES - The effect of static pressure is included in air volumes shown.

First stage HEAT is approximately 91% of the same second stage HEAT.

First stage COOL (two-stage air conditioning units only) is approximately 70% of the same second stage COOL speed position.

Continuous Fan Only speed is selectable at 28% and 38% of the selected second stage cooling speed - minimum 450 cfm.

Lennox iHarmony® Zoning System Applications - Minimum blower speed is 450 cfm.

SL280UH080NV60C BLOWER MOTOR WATTS (COOLING)

¹ Cooling Speed DIP Switch Settings	Motor Watts @ Various External Static Pressures - in. wg.																				
	First Stage										Second Stage										
	0	0.1	0.2	0.3	0.4	0.5	0.6	0.7	0.8	0	0.1	0.2	0.3	0.4	0.5	0.6	0.7	0.8	0.9	1.0	
+ Setting																					
Cooling Speed	Low	67	89	113	138	163	186	211	229	251	189	222	255	284	319	349	383	413	450	487	524
	Med-low	93	117	143	172	200	221	249	275	297	252	285	332	359	398	442	473	516	540	564	588
	Med-High	141	172	196	231	256	289	320	344	373	388	425	479	519	562	604	647	687	731	775	819
	High	222	254	298	324	353	393	426	465	495	640	687	734	795	837	885	949	983	1028	1073	1118
Factory Default																					
Cooling Speed	Low	44	68	92	116	140	159	183	202	224	136	168	200	230	260	283	318	341	376	411	446
	Med-low	67	91	115	139	168	194	216	238	263	190	225	260	278	322	359	384	423	448	473	498
	Med-High	112	136	160	193	216	246	269	298	320	286	328	370	405	449	486	523	562	599	636	673
	High	145	185	224	253	284	316	348	378	408	468	513	558	607	655	699	755	799	848	897	946
- Setting																					
Cooling Speed	Low	23	49	75	95	117	136	156	174	201	90	124	158	183	211	230	261	284	316	348	380
	Med-low	57	74	91	119	138	160	183	205	231	146	177	208	233	266	292	326	357	384	411	438
	Med-High	81	103	125	150	173	203	226	250	279	211	247	283	316	350	388	423	455	484	513	542
	High	115	144	173	202	237	256	293	316	349	327	376	425	467	504	549	596	626	661	696	731

BLOWER DATA

SL280UH080NV60C BLOWER PERFORMANCE (less filter)

SINGLE SIDE RETURN AIR – Air volumes in **bold** require Optional Return Air Base and field fabricated transition to accommodate 20 x 25 x 1 in. air filter in order to maintain proper air velocity.

0 through 0.8 in. w.g. (Heating) and 0 through 1.0 in. w.g. (Cooling) External Static Pressure Range

HEATING		
¹ Heating Speed DIP Switch Settings	First Stage Heating Speed - cfm	Second Stage Heating Speed - cfm
+24%	1350	1485
+18%	1280	1420
+12%	1220	1345
+6%	1155	1270
Factory Default	1100	1200
-6%	1020	1135
-12%	965	1070
-18%	870	980

COOLING								
¹ Cooling Speed DIP Switch Settings	First Stage Cooling Speed - cfm				Second Stage Cooling Speed - cfm			
	Low	Medium-Low	Medium-High	² High	Low	Medium-Low	Medium-High	² High
+	1050	1180	1350	1570	1500	1700	1915	2240
Factory Default	960	1080	1225	1420	1370	1540	1760	2035
-	845	950	1110	1290	1235	1390	1570	1840

¹ Cooling and heating speeds are based on a combination of DIP switch settings on the furnace control. Refer to Installation Instructions for specific DIP Switch Settings.

² Factory default setting.

NOTES - The effect of static pressure is included in air volumes shown.

First stage HEAT is approximately 91% of the same second stage HEAT.

First stage COOL (two-stage air conditioning units only) is approximately 70% of the same second stage COOL speed position.

Continuous Fan Only speed is selectable at 28% and 38% of the selected second stage cooling speed - minimum 450 cfm.

Lennox iHarmony® Zoning System Applications - Minimum blower speed is 450 cfm.

SL280UH080NV60C BLOWER MOTOR WATTS (COOLING)

¹ Cooling Speed DIP Switch Settings	Motor Watts @ Various External Static Pressures - in. wg.																				
	First Stage										Second Stage										
	0	0.1	0.2	0.3	0.4	0.5	0.6	0.7	0.8	0	0.1	0.2	0.3	0.4	0.5	0.6	0.7	0.8	0.9	1.0	
+ Setting																					
Cooling Speed	Low	49	75	101	129	153	174	197	221	246	166	200	234	262	297	333	358	393	421	456	480
	Med-low	75	103	131	162	184	213	239	261	290	240	278	316	347	390	421	464	491	525	563	604
	Med-High	125	156	187	217	250	266	308	329	362	369	413	457	496	549	581	625	670	715	742	790
	High	201	233	265	306	339	369	407	434	470	613	664	715	771	825	864	928	969	1009	1031	1023
Factory Default																					
Cooling Speed	Low	30	58	86	107	130	155	173	197	215	128	156	184	212	245	271	305	332	363	389	418
	Med-low	54	81	108	132	157	183	202	228	257	172	209	246	281	315	346	377	408	438	472	506
	Med-High	100	124	148	181	201	237	256	283	310	270	316	362	397	435	471	510	549	586	614	661
	High	139	175	211	242	273	305	338	370	389	440	488	536	579	635	670	723	773	809	855	906
- Setting																					
Cooling Speed	Low	19	43	67	89	109	131	150	172	196	87	116	145	172	199	226	255	279	305	328	363
	Med-low	42	64	86	113	134	156	181	197	222	125	159	193	224	253	281	314	339	368	398	425
	Med-High	71	95	119	144	173	196	223	247	268	190	230	270	302	339	373	408	442	471	501	535
	High	110	144	178	198	230	259	282	314	342	326	373	420	463	499	543	588	618	653	699	737

BLOWER DATA

SL280UH100NV60C BLOWER PERFORMANCE (less filter)

BOTTOM RETURN AIR, RETURN AIR FROM BOTH SIDES OR RETURN AIR FROM BOTTOM AND ONE SIDE

0 through 0.8 in. w.g. (Heating) and 0 through 1.0 in. w.g. (Cooling) External Static Pressure Range

HEATING

¹ Heating Speed DIP Switch Settings	First Stage Heating Speed - cfm	Second Stage Heating Speed - cfm
+24%	1745	1930
+18%	1670	1825
+12%	1580	1740
+6%	1500	1655
Factory Default	1425	1565
-6%	1310	1470
-12%	1260	1390
-18%	1190	1300

COOLING

¹ Cooling Speed DIP Switch Settings	First Stage Cooling Speed - cfm				Second Stage Cooling Speed - cfm			
	Low	Medium-Low	Medium-High	² High	Low	Medium-Low	Medium-High	² High
+	1200	1250	1380	1585	1710	1790	1950	2270
Factory Default	1075	1150	1275	1460	1570	1610	1785	2065
-	1010	1050	1150	1320	1410	1480	1625	1880

¹ Cooling and heating speeds are based on a combination of DIP switch settings on the furnace control. Refer to Installation Instructions for specific DIP Switch Settings.

² Factory default setting.

NOTES - The effect of static pressure is included in air volumes shown.

First stage HEAT is approximately 91% of the same second stage HEAT.

First stage COOL (two-stage air conditioning units only) is approximately 70% of the same second stage COOL speed position.

Continuous Fan Only speed is selectable at 28% and 38% of the selected second stage cooling speed - minimum 450 cfm.

Lennox iHarmony® Zoning System Applications - Minimum blower speed is 450 cfm.

SL280UH100NV60C BLOWER MOTOR WATTS (COOLING)

¹ Cooling Speed DIP Switch Settings	Motor Watts @ Various External Static Pressures - in. wg.																				
	First Stage										Second Stage										
	0	0.1	0.2	0.3	0.4	0.5	0.6	0.7	0.8	0	0.1	0.2	0.3	0.4	0.5	0.6	0.7	0.8	0.9	1.0	
+ Setting																					
Cooling Speed	Low	81	112	143	168	192	215	235	264	289	241	282	323	356	392	434	461	509	533	573	604
	Med-low	108	129	150	180	210	238	263	292	310	270	310	350	387	428	469	500	542	576	617	654
	Med-High	112	148	184	209	244	265	297	328	359	341	391	441	478	525	567	609	647	699	748	777
	High	173	212	251	283	316	349	379	409	453	559	623	687	729	792	847	903	934	965	1007	1010
Factory Default																					
Cooling Speed	Low	47	81	115	134	151	181	207	228	242	155	197	239	272	304	330	367	402	414	458	494
	Med-low	75	97	119	148	171	198	222	241	271	188	228	268	304	340	372	403	436	472	509	537
	Med-High	101	125	149	175	208	235	265	286	312	268	311	354	382	423	463	502	547	580	613	656
	High	159	183	207	238	273	305	334	361	392	393	453	513	552	606	654	690	762	787	836	865
- Setting																					
Cooling Speed	Low	49	69	89	112	136	156	179	201	223	129	156	183	213	245	270	301	334	365	386	413
	Med-low	46	70	94	119	143	162	187	207	229	138	173	208	232	270	294	328	357	386	418	446
	Med-High	68	91	114	136	170	184	209	235	259	191	221	251	296	325	360	392	431	458	493	530
	High	111	132	153	182	212	239	270	297	321	288	338	388	435	461	519	546	594	636	661	704

BLOWER DATA

SL280UH100NV60C BLOWER PERFORMANCE (less filter)

SINGLE SIDE RETURN AIR – Air volumes in **bold** require Optional Return Air Base and field fabricated transition to accommodate 20 x 25 x 1 in. air filter in order to maintain proper air velocity.

0 through 0.8 in. w.g. (Heating) and 0 through 1.0 in. w.g. (Cooling) External Static Pressure Range

HEATING		
¹ Heating Speed DIP Switch Settings	First Stage Heating Speed - cfm	Second Stage Heating Speed - cfm
+24%	1600	1785
+18%	1530	1685
+12%	1440	1600
+6%	1370	1515
Factory Default	1290	1415
-6%	1260	1390
-12%	1175	1290
-18%	1065	1190

COOLING								
¹ Cooling Speed DIP Switch Settings	First Stage Cooling Speed - cfm				Second Stage Cooling Speed - cfm			
	Low	Medium-Low	Medium-High	² High	Low	Medium-Low	Medium-High	² High
+	1140	1180	1300	1480	1615	1695	1865	2160
Factory Default	1040	1060	1190	1365	1460	1530	1690	1960
-	930	970	1070	1240	1325	1380	1520	1760

¹ Cooling and heating speeds are based on a combination of DIP switch settings on the furnace control. Refer to Installation Instructions for specific DIP Switch Settings.

² Factory default setting.

NOTES - The effect of static pressure is included in air volumes shown.

First stage HEAT is approximately 91% of the same second stage HEAT.

First stage COOL (two-stage air conditioning units only) is approximately 70% of the same second stage COOL speed position.

Continuous Fan Only speed is selectable at 28% and 38% of the selected second stage cooling speed - minimum 450 cfm.

Lennox iHarmony® Zoning System Applications - Minimum blower speed is 450 cfm.

SL280UH100NV60C BLOWER MOTOR WATTS (COOLING)

¹ Cooling Speed DIP Switch Settings	Motor Watts @ Various External Static Pressures - in. wg.																				
	First Stage										Second Stage										
	0	0.1	0.2	0.3	0.4	0.5	0.6	0.7	0.8	0	0.1	0.2	0.3	0.4	0.5	0.6	0.7	0.8	0.9	1.0	
+ Setting																					
Cooling Speed	Low	55	81	107	132	155	183	206	231	259	164	199	234	271	312	346	381	413	449	483	519
	Med-low	61	87	113	143	168	194	221	245	273	173	222	271	305	341	378	418	461	491	524	564
	Med-High	72	109	146	173	201	229	258	284	314	258	301	344	393	431	472	516	560	596	641	675
	High	126	164	202	234	267	304	337	370	403	433	473	513	581	634	688	734	786	835	879	930
Factory Default																					
Cooling Speed	Low	50	70	90	114	137	163	180	204	227	119	155	191	222	251	287	317	347	383	405	439
	Med-low	50	73	96	120	147	166	188	216	241	133	177	221	247	288	318	346	386	417	449	473
	Med-High	54	86	118	150	171	203	220	245	283	169	222	275	316	348	398	420	460	500	536	559
	High	94	132	170	196	232	260	287	316	341	322	365	408	454	501	548	590	635	689	726	764
- Setting																					
Cooling Speed	Low	29	50	71	93	113	137	159	177	198	112	129	146	178	206	232	260	287	316	343	374
	Med-low	38	58	78	100	122	143	166	192	211	110	136	162	194	224	255	278	314	340	371	400
	Med-High	38	67	96	117	142	164	190	213	239	122	165	208	238	273	306	336	367	401	433	465
	High	69	99	129	155	186	212	235	263	288	215	261	307	352	384	428	460	500	535	577	618

REVISIONS

Sections	Description of Change
Gas Heat Accessories	Added Natural Gas to LPG/Propane Kits for 60K and 80K Input gas furnaces.



Visit us at www.lennox.com

For the latest technical information, www.LennoxPros.com

Contact us at 1-800-4-LENNOX

NOTE - Due to Lennox' ongoing commitment to quality, Specifications, Ratings and Dimensions subject to change without notice and without incurring liability. Improper installation, adjustment, alteration, service or maintenance can cause property damage or personal injury. Installation and service must be performed by a qualified installer and servicing agency.

©2019 Lennox Industries, Inc.