

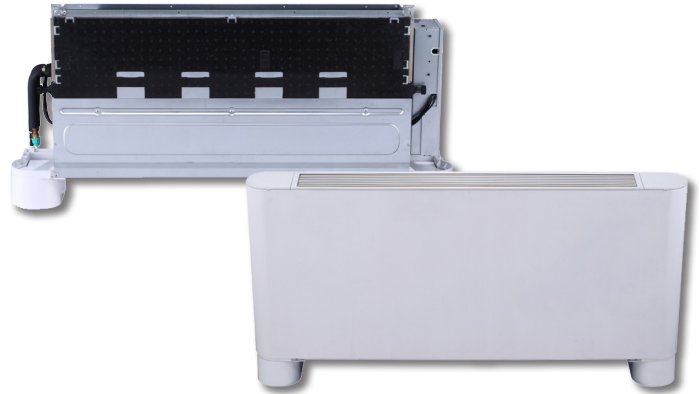


**COMMERCIAL
PRODUCT SPECIFICATIONS**

Bulletin No. 210921
April 2020

TABLE OF CONTENTS

Air Throw Data 10
 Cooling Capacity 12
 Dimensions 4
 Heating Capacity 15
 Installation Clearances 6
 Model Number Identification 1
 Sound Data 7
 Specifications 2



- Compact design for limited space requirements
- Can be hung on the wall or installed on the floor with optional feet
- Supply air is on top of unit
- Return air is on the bottom of the unit
- Cased (VSCA) and exposed (VSEA) models available
- VSEA exposed models may be installed inside an enclosure
- Flanges are furnished on VSEA models for supply air connection

APPROVALS AND WARRANTY

- **Approvals** - ETL certified for the U.S. and Canada
- **Warranty** - Limited ten years for qualifying installations

NOTE - See Warranty Certificate for details.

FEATURES

- **Pre-Heat Function** - Delays the operation of the fan until the indoor coil has reached a selected temperature which prevents the discharge of cold air while the system is operating in the "heating" mode

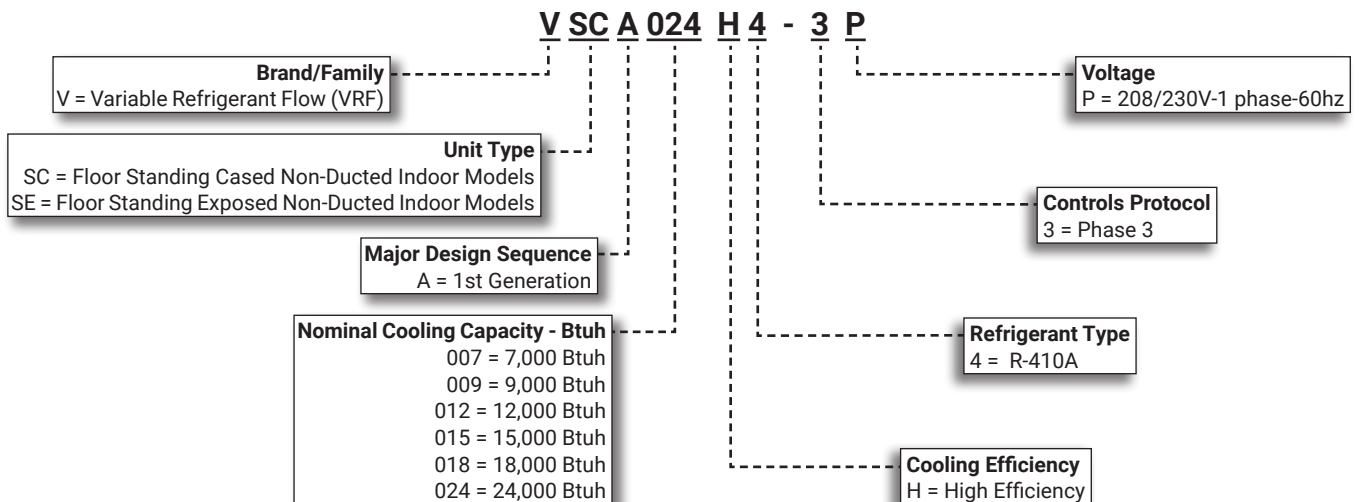
- **Receiver/Display Panel** - Furnished for field installation in the unit electrical control box
 - LEDs display unit operation status, and codes for maintenance and servicing
- **Auto Addressing** - An optional wireless remote control (not furnished) can be used to inquire and modify each indoor unit's address
- **Three-Stage Fan Speed (High Efficiency DC Motor)** - Fan functions at three levels: low, medium, high
- **Auto Restart** - Automatically restores the previous function setting if power is interrupted
- **Electronic Expansion Valve** - Assures optimal performance throughout the application range
- **Flare Connections** - Equipped with liquid and gas flare fittings for quick and secure piping
- **Air Filter** - Cleanable air filter is furnished as standard



Optional Accessories

- **Wired Controller** - V0STAT55P-3 (19X69)
- **Support Feet** - V8VSA001-3P (19X68)

MODEL NUMBER IDENTIFICATION



SPECIFICATIONS **VSCA CASED**

General Data		Nominal kBtuh	7	9	12	15	18	24	
		Model Number	VSCA007H4	VSCA009H4	VSCA012H4	VSCA015H4	VSCA018H4	VSCA024H4	
¹ Cooling Performance	Net Cooling Capacity - Btuh		7,500	9,500	12,000	15,000	19,000	24,000	
	Total Unit Power Input (W)		35	35	40	44	45	53	
	Rated current (A)		0.3	0.3	0.3	0.4	0.4	0.4	
¹ Heating Performance	Net Heating Capacity - Btuh		8,200	10,900	13,500	17,000	21,000	27,000	
	Total Unit Power Input (W)		35	35	41	46	47	57	
	Rated current (A)		0.3	0.3	0.3	0.4	0.4	0.4	
Refrigerant	Type		R-410A	R-410A	R-410A	R-410A	R-410A	R-410A	
Indoor Fan Motor	Input - W		30	30	30	30	60	60	
	Speed (H / M / L) - rpm		870/820/770	870/820/770	980/900/800	920/830/740	820/760/690	980/900/820	
Indoor Coil	Number of rows		2	2	3	3	2	3	
	Fin spacing - in.		1/16	1/16	1/16	1/16	1/16	1/16	
	Coil length x height x width - in.		22-13/16 x 6-15/16 x 1-1/2		22-13/16 x 6-15/16 x 2-1/4	31-1/2 x 6-15/16 x 2-1/4	36-1/4 x 10-3/8 x 1-1/2		
	Number of circuits		2	2	4	4	3	5	
	Tube outside diameter and type - in.		5/16 - Rifled Copper Tubing						
	Fin type		Hydrophillic Coated Aluminum						
	Expansion device type		Electronic Expansion Valve						
	Design Pressure (high / low)- psig		650 / 250						
Indoor Coil Connections	Liquid pipe o.d. - in. (flare)		1/4	1/4	1/4	1/4	1/4	3/8	
	Gas pipe o.d. - in. (flare)		1/2	1/2	1/2	1/2	1/2	5/8	
	Drain connection o.d. - in.		3/4	3/4	3/4	3/4	3/4	3/4	
Indoor Blower	Airflow (H / M / L) - cfm		293/273/253	293/273/253	299/269/240	408/358/311	476/434/383	545/490/422	
	Sound data (H / M / L) dBA		35/33.8/32.7	35/33.8/32.7	37.1/34.6/31.4	41/38.1/34.4	37.1/35.8/33.6	43.1/40.8/38.7	
Filter Size - in. (furnished)			28-3/8x7-1/16x1/4			37x7-1/16x1/4	41-3/4x7-1/16x4/16		
Control Wiring (AWG)			2-core shielded twisted pair cable 22AWG-16AWG						
Weight Data	Unit (net/shipping) - lbs.		49 / 62	49 / 62	51 / 64	54 / 73	72 / 91	76 / 93	

ELECTRICAL DATA

	Line voltage data - 60 hz - 1ph	208/230V	208/230V	208/230V	208/230V	208/230V	208/230V
²	Maximum overcurrent protection (amps)	15	15	15	15	151	15
³	Minimum circuit ampacity	0.47	0.47	0.5	0.54	0.57	0.64
	Indoor Blower Motor - Full load amps	0.37	0.37	0.4	0.43	0.45	0.51

¹ Nominal capacities are based on the following conditions (with 25 ft. of connecting refrigerant lines);

• Cooling Ratings - 95°F outdoor air temperature and 80°F db/67°F wb entering indoor coil air.

• Heating Ratings - 47°F db/43°F wb outdoor air temperature and 70°F db entering indoor coil air.

³ HACR type circuit breaker or fuse.

⁴ Refer to National or Canadian Electrical Code manual to determine wire, fuse and disconnect size requirements.

SPECIFICATIONS		VSEA EXPOSED						
General Data		Nominal kBtuh	7	9	12	15	18	24
Model Number		VSEA007H4	VSEA009H4	VSEA012H4	VSEA015H4	VSEA018H4	VSEA024H4	
¹ Cooling Performance	Net Cooling Capacity - Btuh	7,500	9,500	12,000	15,000	19,000	24,000	
	Total Unit Power Input (W)	35	35	40	44	45	53	
	Rated current (A)	0.3	0.3	0.3	0.4	0.4	0.4	
¹ Heating Performance	Net Heating Capacity - Btuh	8,200	10,900	13,500	17,000	21,000	27,000	
	Total Unit Power Input (W)	35	35	41	46	47	57	
	Rated current (A)	0.3	0.3	0.3	0.4	0.4	0.4	
Refrigerant	Type	R-410A	R-410A	R-410A	R-410A	R-410A	R-410A	
Indoor Fan Motor	Input - W	30	30	30	30	60	60	
	Speed (H / M / L) - rpm	850/810/770	850/810/770	980/900/800	900/810/720	790/740/660	940/860/770	
Indoor Coil	Number of rows	2	2	3	3	2	3	
	Fin spacing - in.	1/16	1/16	1/16	1/16	1/16	1/16	
	Coil length x height x width - in.	22-13/16 x 6-15/16 x 1-1/2		22-13/16 x 6-15/16 x 2-1/4	31-1/2 x 6-15/16 x 2-1/4	36-1/4 x 10-3/8 x 1-1/2		
	Number of circuits	2	2	4	4	3	5	
	Tube outside diameter and type - in.	5/16 - Rifled Copper Tubing						
	Fin type	Hydrophillic Coated Aluminum						
	Expansion device type	Electronic Expansion Valve						
	Design Pressure (high / low)- psig	650 / 250						
	Indoor Coil Connections	Liquid pipe o.d. - in. (flare)	1/4	1/4	1/4	1/4	1/4	3/8
		Gas pipe o.d. - in. (flare)	1/2	1/2	1/2	1/2	1/2	5/8
Drain connection o.d. - in.		3/4	3/4	3/4	3/4	3/4	3/4	
Indoor Blower	Airflow (H / M / L) - cfm	293/276/260	293/276/260	319/288/249	400/350/300	468/431/374	552/492/429	
	External static pressure - in. w.g.	0~0.04	0~0.04	0~0.04	0~0.04	0~0.04	0~0.04	
	Sound data (H / M / L) dBA	35.7/34.7/33.8	35.7/34.7/33.8	37.7/35.3/32.4	41.3/38.4/35.3	38.6/37.4/35.7	43.5/41.1/38.5	
Filter Size - in. (furnished)	28-3/8x7-1/16x1/4				37x7-1/16x1/4	41-3/4x7-1/16x4/16		
Control Wiring (AWG)	2-core shielded twisted pair cable 22AWG-16AWG							
Weight Data	Unit (net/shipping) - lbs.	37 / 48	37 / 48	40 / 49	47 / 58	55 / 68	59 / 71	

ELECTRICAL DATA

Line voltage data - 60 hz - 1ph	208/230V	208/230V	208/230V	208/230V	208/230V	208/230V
² Maximum overcurrent protection (amps)	15	15	15	15	151	15
³ Minimum circuit ampacity	0.47	0.47	0.5	0.54	0.57	0.64
Indoor Blower Motor - Full load amps	0.37	0.37	0.4	0.43	0.45	0.51

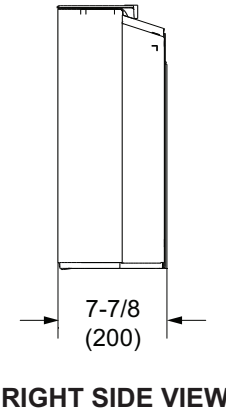
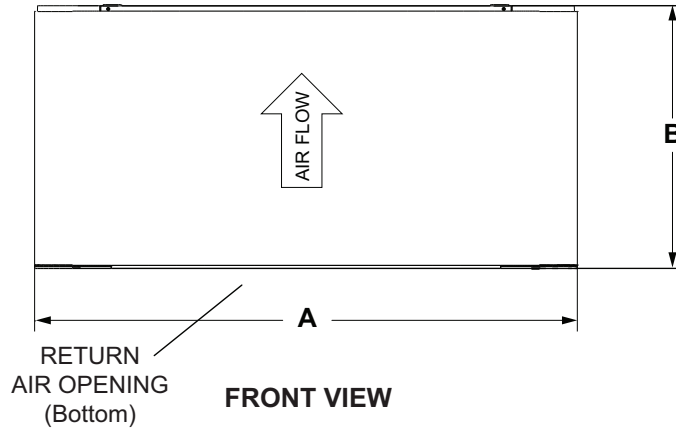
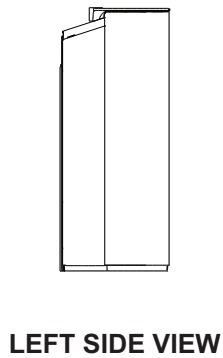
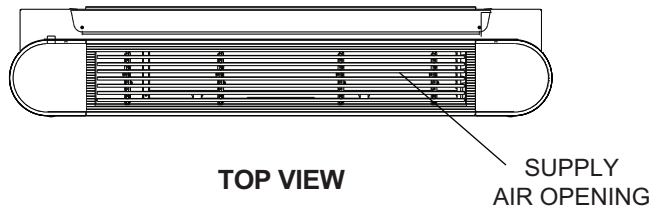
¹ Nominal capacities are based on the following conditions (with 25 ft. of connecting refrigerant lines);

• Cooling Ratings - 95°F outdoor air temperature and 80°F db/67°F wb entering indoor coil air.

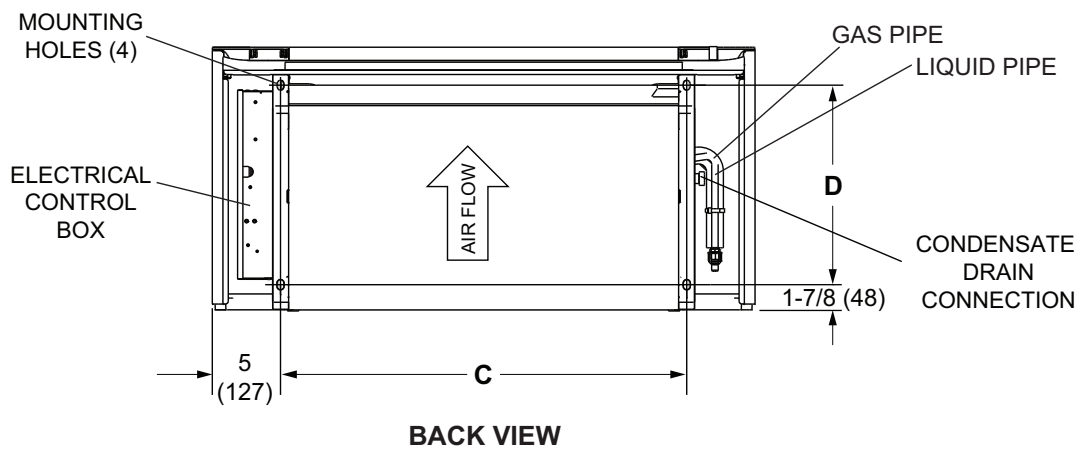
• Heating Ratings - 47°F db/43°F wb outdoor air temperature and 70°F db entering indoor coil air.

³ HACR type circuit breaker or fuse.

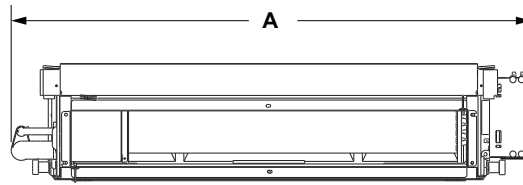
⁴ Refer to National or Canadian Electrical Code manual to determine wire, fuse and disconnect size requirements.



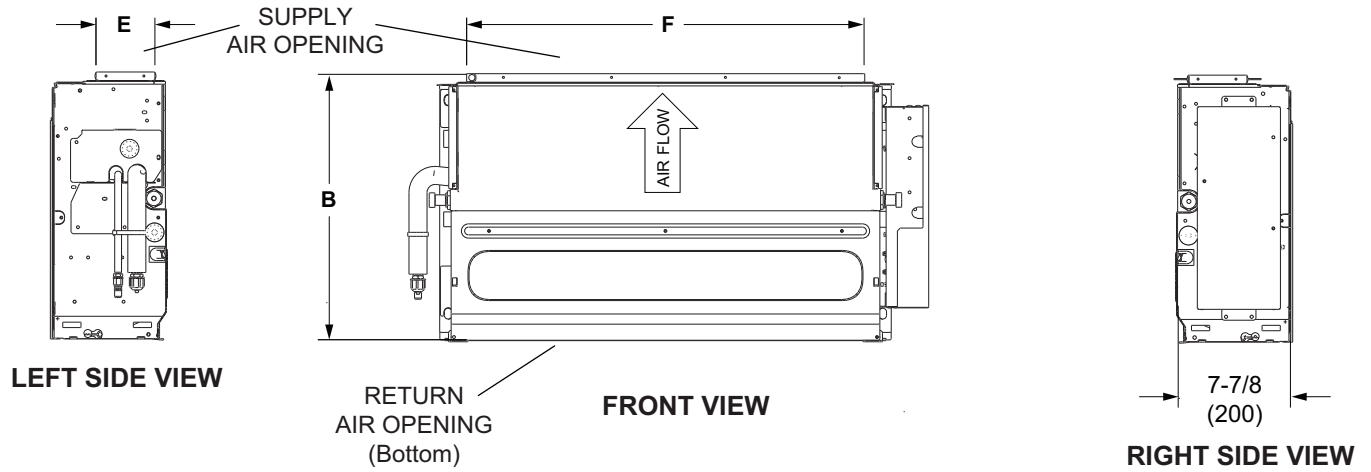
NOTE - Optional Feet (not shown) add 3-1/2 in. (89 mm) to the overall height



Model No.	A		B		C		D	
	in.	mm	in.	mm	in.	mm	in.	mm
VSCA007, 009, 012	40-1/8	1019	19-1/2	495	30	762	14-3/4	375
VSCA015	48-7/8	1241	19-1/2	495	38-3/4	984	14-3/4	375
VSCA018, 024	53-1/2	1359	23-1/4	591	43-1/2	1105	15-3/8	391



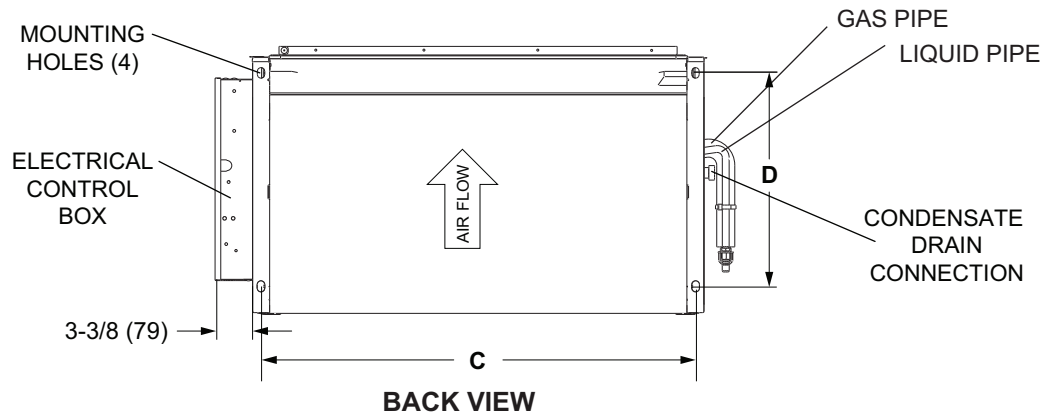
TOP VIEW



NOTE - Optional Feet (not shown) add 3-1/2 in. (89 mm) to the overall height

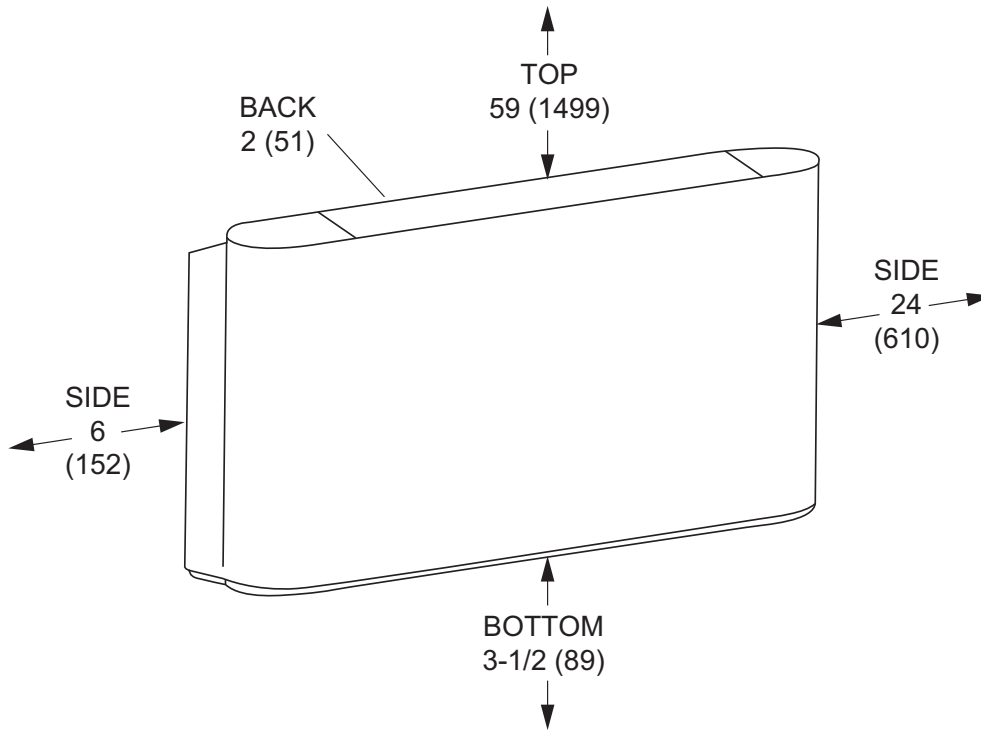


BOTTOM VIEW

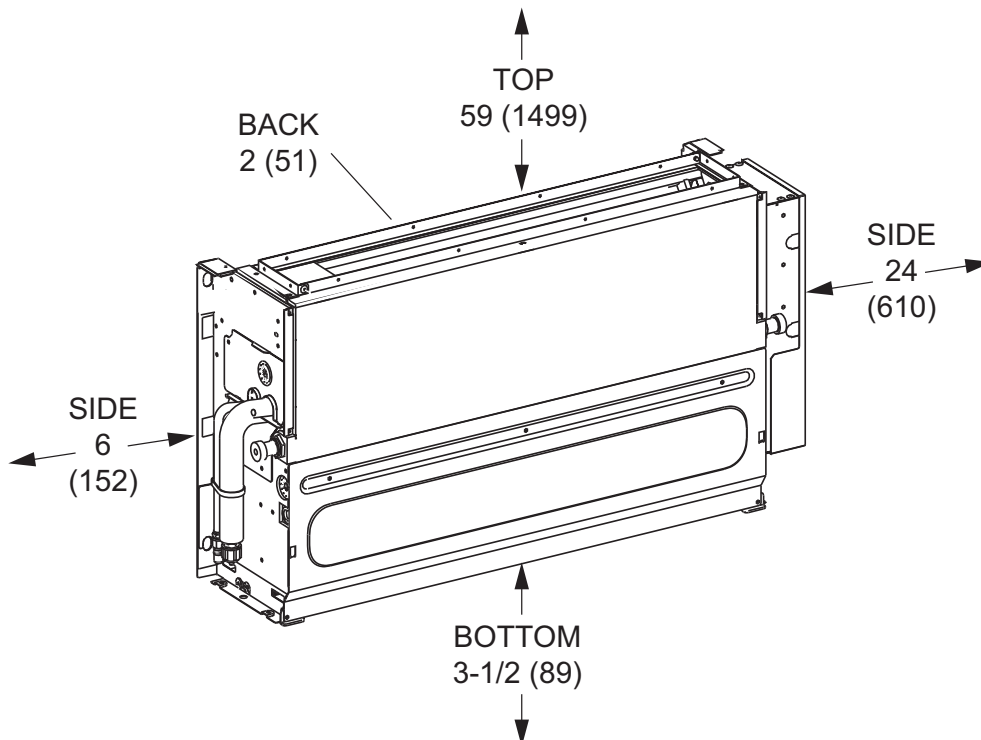


BACK VIEW

Model No.	A		B		C		D		E		F	
	in.	mm	in.	mm	in.	mm	in.	mm	in.	mm	in.	mm
VSEA007, 009, 012	30	762	14-3/4	375	36	914	18-1/2	470	4	102	27	686
VSEA015	38-3/4	984	14-3/4	375	44-5/8	1133	18-1/2	470	4	102	36	914
VSEA018. 024	43-1/2	1105	15-3/8	391	49-3/8	1254	22-1/4	565	4-1/8	105	40-3/4	1035



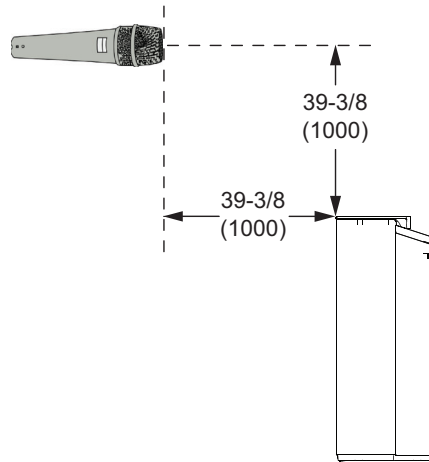
NOTE - Bottom Clearance allows for Optional Feet height



NOTE - Bottom Clearance allows for Optional Feet height

SOUND DATA

SOUND LEVELS



NOTE:

- Semi-anechoic chamber conversion value is measured at a point 39-3/8 inches (1000 mm) in front of the unit at a height of 39-3/8 inches (1000 mm) from top of unit.

Model No.	Sound Rating Number (dBA)		
	Low	Medium	High
VSCA007H4	32.7	33.8	35
VSCA009H4	32.7	33.8	35
VSCA012H4	31.4	34.6	37.1
VSCA015H4	34.4	38.1	41
VSCA018H4	33.6	35.8	37.1
VSCA024H4	38.7	40.8	43.1
VSEA007H4	33.8	34.7	35.7
VSEA009H4	33.8	34.7	35.7
VSEA012H4	32.4	35.3	37.7
VSEA015H4	35.3	38.4	41.3
VSEA018H4	35.7	37.4	38.6
VSEA024H4	38.5	41.1	43.5

SOUND DATA

VSCA CASED

VSCA007H4, VSCA009H4

Mode	Fan Speed	Octave Band Sound Power Levels dBA, re 10 ⁻¹² Watts Center Frequency - HZ								Sound Rating Number dBA
		63	125	250	500	1000	2000	4000	8000	
Fan Only	High	26.6	32.2	33.8	29.4	29.4	26.0	17.7	15.5	33.4
	Medium	25.7	29.9	31.8	27.8	27.4	24.3	16.5	15.3	31.7
	Low	25.7	29.1	31.4	26.1	25.8	22.0	15.7	15.3	29.9

NOTES - The octave sound power data does not include tonal corrections. Sound Rating Number tested according to AHRI Standard 370 (includes pure tone penalty).
Sound rating Number is the overall A-Weighted Sound Power Level, (LWA), dB (100 Hz to 10,000 Hz).
63HZ band is not certified and is usually lower than reported.

VSCA012H4

Mode	Fan Speed	Octave Band Sound Power Levels dBA, re 10 ⁻¹² Watts Center Frequency - HZ								Sound Rating Number dBA
		63	125	250	500	1000	2000	4000	8000	
Fan Only	High	32.0	30.9	36.9	32.9	30.0	27.5	19.7	17.1	35.5
	Medium	29.7	28.9	35.0	30.7	27.3	24.5	17.8	16.8	33.2
	Low	28.5	25.9	32.2	28.6	24.2	20.1	16.2	16.9	30.1

NOTES - The octave sound power data does not include tonal corrections. Sound Rating Number tested according to AHRI Standard 370 (includes pure tone penalty).
Sound rating Number is the overall A-Weighted Sound Power Level, (LWA), dB (100 Hz to 10,000 Hz).
63HZ band is not certified and is usually lower than reported.

VSCA015H4

Mode	Fan Speed	Octave Band Sound Power Levels dBA, re 10 ⁻¹² Watts Center Frequency - HZ								Sound Rating Number dBA
		63	125	250	500	1000	2000	4000	8000	
Fan Only	High	30.9	30.7	37.4	37.2	33.8	29.8	22.6	17.9	38.5
	Medium	31.8	28.3	35.2	34.7	31.0	25.8	18.6	17.5	35.7
	Low	31.8	25.3	32.1	31.3	26.8	20.8	15.9	16.8	31.9

NOTES - The octave sound power data does not include tonal corrections. Sound Rating Number tested according to AHRI Standard 370 (includes pure tone penalty).
Sound rating Number is the overall A-Weighted Sound Power Level, (LWA), dB (100 Hz to 10,000 Hz).
63HZ band is not certified and is usually lower than reported.

VSCA018H4

Mode	Fan Speed	Octave Band Sound Power Levels dBA, re 10 ⁻¹² Watts Center Frequency - HZ								Sound Rating Number dBA
		63	125	250	500	1000	2000	4000	8000	
Fan Only	High	38.1	32.5	33.3	32.8	32.9	28.4	19.0	15.6	36.3
	Medium	38.0	30.0	32.0	30.7	30.3	25.6	17.2	15.5	33.8
	Low	35.4	29.8	29.7	27.9	26.7	20.9	15.7	15.4	30.5

NOTES - The octave sound power data does not include tonal corrections. Sound Rating Number tested according to AHRI Standard 370 (includes pure tone penalty).
Sound rating Number is the overall A-Weighted Sound Power Level, (LWA), dB (100 Hz to 10,000 Hz).
63HZ band is not certified and is usually lower than reported.

VSCA024H4

Mode	Fan Speed	Octave Band Sound Power Levels dBA, re 10 ⁻¹² Watts Center Frequency - HZ								Sound Rating Number dBA
		63	125	250	500	1000	2000	4000	8000	
Fan Only	High	35.7	33.5	32.6	33.0	31.5	28.1	24.0	19.3	36.0
	Medium	35.7	33.5	32.6	33.0	31.5	28.1	24.0	19.3	34.2
	Low	36.4	28.7	29.7	27.9	26.4	25.0	23.9	19.2	32.2

NOTES - The octave sound power data does not include tonal corrections. Sound Rating Number tested according to AHRI Standard 370 (includes pure tone penalty).
Sound rating Number is the overall A-Weighted Sound Power Level, (LWA), dB (100 Hz to 10,000 Hz).
63HZ band is not certified and is usually lower than reported.

SOUND DATA

VSEA EXPOSED

VSEA007H4, VSCA009H4

Mode	Fan Speed	Octave Band Sound Power Levels dBA, re 10 ⁻¹² Watts Center Frequency - HZ								Sound Rating Number dBA
		63	125	250	500	1000	2000	4000	8000	
Fan Only	High	32.1	31.1	32.5	31.6	28.7	24.7	16.9	15.7	33.3
	Medium	30.4	23.2	21.0	20.1	23.2	19.6	17.4	16.8	32.5
	Low	29.9	28.6	30.6	28.6	25.3	20.5	15.6	15.5	30.3

NOTES - The octave sound power data does not include tonal corrections. Sound Rating Number tested according to AHRI Standard 370 (includes pure tone penalty).
 Sound rating Number is the overall A-Weighted Sound Power Level, (LWA), dB (100 Hz to 10,000 Hz).
 63HZ band is not certified and is usually lower than reported.

VSEA012H4

Mode	Fan Speed	Octave Band Sound Power Levels dBA, re 10 ⁻¹² Watts Center Frequency - HZ								Sound Rating Number dBA
		63	125	250	500	1000	2000	4000	8000	
Fan Only	High	28.0	32.0	37.9	35.3	32.7	29.7	22.7	17.6	37.5
	Medium	31.4	28.8	35.6	33.8	30.0	26.8	19.9	16.8	35.1
	Low	29.1	25.0	32.3	30.6	26.2	21.9	17.0	17.1	31.8

NOTES - The octave sound power data does not include tonal corrections. Sound Rating Number tested according to AHRI Standard 370 (includes pure tone penalty).
 Sound rating Number is the overall A-Weighted Sound Power Level, (LWA), dB (100 Hz to 10,000 Hz).
 63HZ band is not certified and is usually lower than reported.

VSEA015H4

Mode	Fan Speed	Octave Band Sound Power Levels dBA, re 10 ⁻¹² Watts Center Frequency - HZ								Sound Rating Number dBA
		63	125	250	500	1000	2000	4000	8000	
Fan Only	High	29.9	32.0	38.8	38.4	35.2	31.4	23.9	17.4	39.7
	Medium	26.6	29.4	35.9	35.3	32.4	27.3	19.7	16.9	36.7
	Low	25.0	26.5	33.9	33.0	28.1	22.0	16.4	16.6	33.1

NOTES - The octave sound power data does not include tonal corrections. Sound Rating Number tested according to AHRI Standard 370 (includes pure tone penalty).
 Sound rating Number is the overall A-Weighted Sound Power Level, (LWA), dB (100 Hz to 10,000 Hz).
 63HZ band is not certified and is usually lower than reported.

VSEA018H4

Mode	Fan Speed	Octave Band Sound Power Levels dBA, re 10 ⁻¹² Watts Center Frequency - HZ								Sound Rating Number dBA
		63	125	250	500	1000	2000	4000	8000	
Fan Only	High	32.6	34.2	36.0	34.0	32.4	26.5	17.4	15.4	36.2
	Medium	29.2	31.3	34.2	32.5	30.2	23.9	16.0	15.2	34.2
	Low	30.2	28.2	30.4	29.3	25.9	20.2	15.4	15.3	30.7

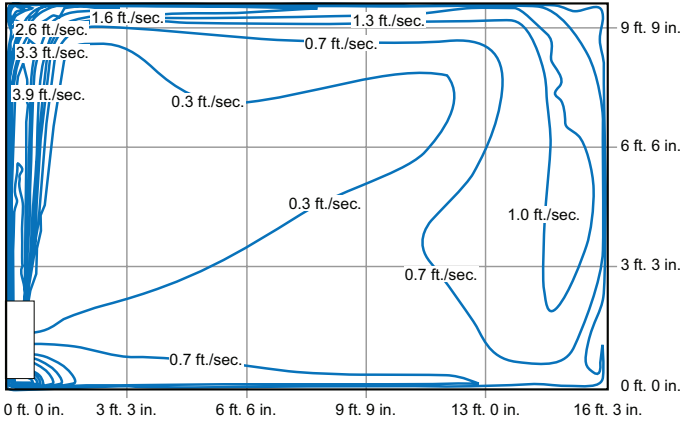
NOTES - The octave sound power data does not include tonal corrections. Sound Rating Number tested according to AHRI Standard 370 (includes pure tone penalty).
 Sound rating Number is the overall A-Weighted Sound Power Level, (LWA), dB (100 Hz to 10,000 Hz).
 63HZ band is not certified and is usually lower than reported.

VSEA024H4

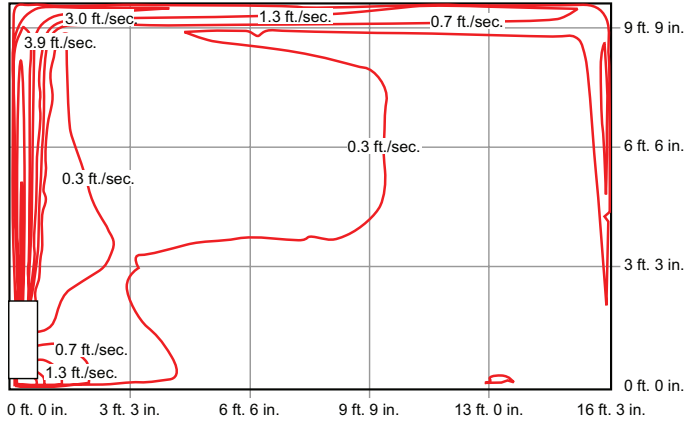
Mode	Fan Speed	Octave Band Sound Power Levels dBA, re 10 ⁻¹² Watts Center Frequency - HZ								Sound Rating Number dBA
		63	125	250	500	1000	2000	4000	8000	
Fan Only	High	34.7	37.2	39.7	38.5	37.7	33.2	24.3	17.8	41.3
	Medium	35.1	35.4	36.8	36.1	35.1	29.9	20.8	17.1	38.6
	Low	28.6	32.6	34.9	32.8	31.1	25.4	17.6	16.7	35.2

NOTES - The octave sound power data does not include tonal corrections. Sound Rating Number tested according to AHRI Standard 370 (includes pure tone penalty).
 Sound rating Number is the overall A-Weighted Sound Power Level, (LWA), dB (100 Hz to 10,000 Hz).
 63HZ band is not certified and is usually lower than reported.

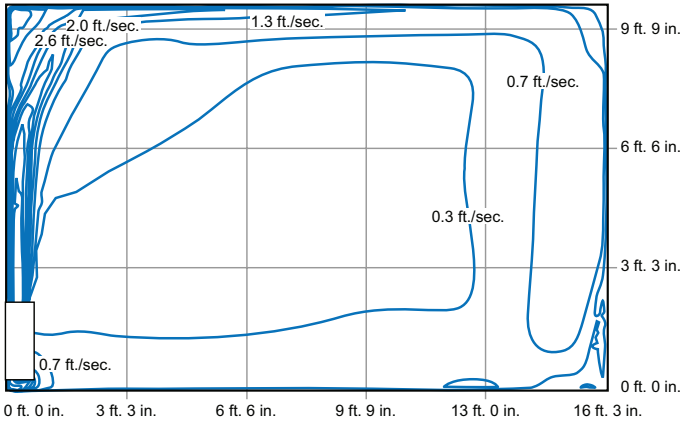
VSCA007H4, VSCA009H4 - COOLING



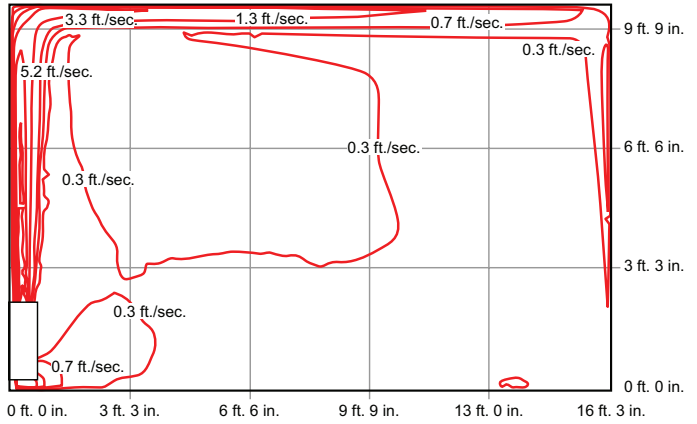
VSCA007H4, VSCA009H4 - HEATING



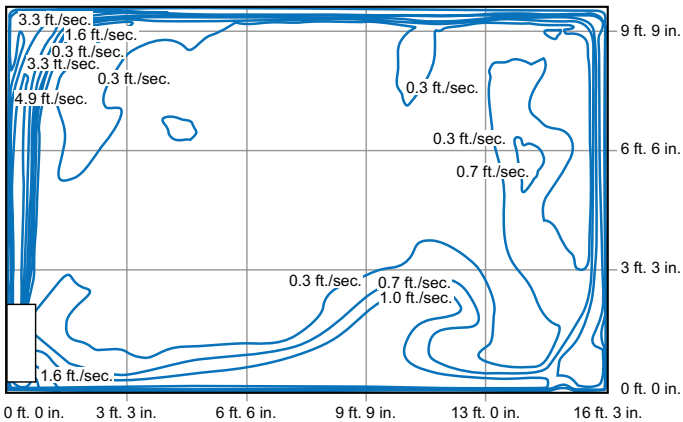
VSCA012H4 - COOLING



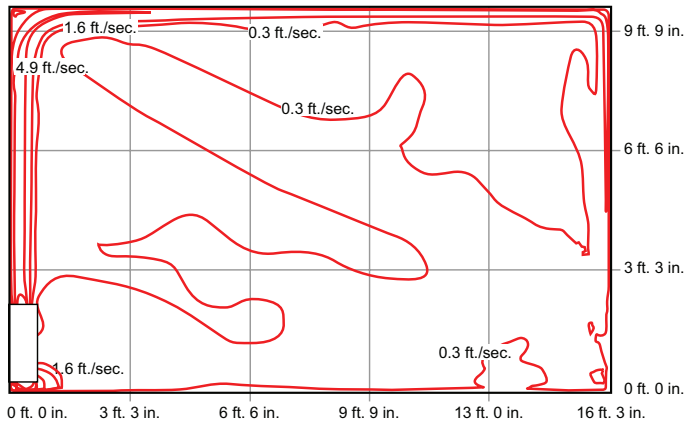
VSCA012H4 - HEATING



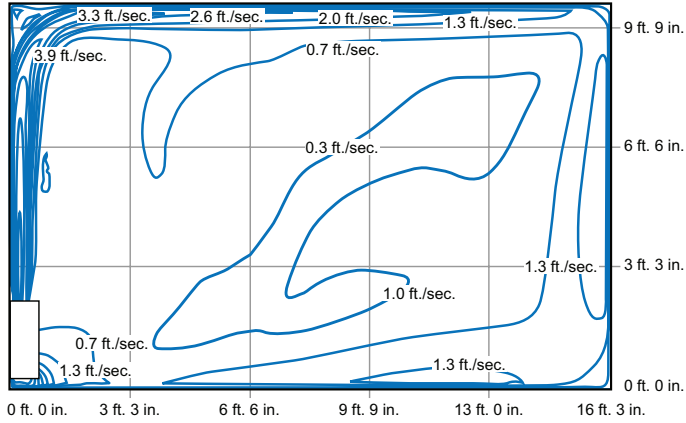
VSCA015H4 - COOLING



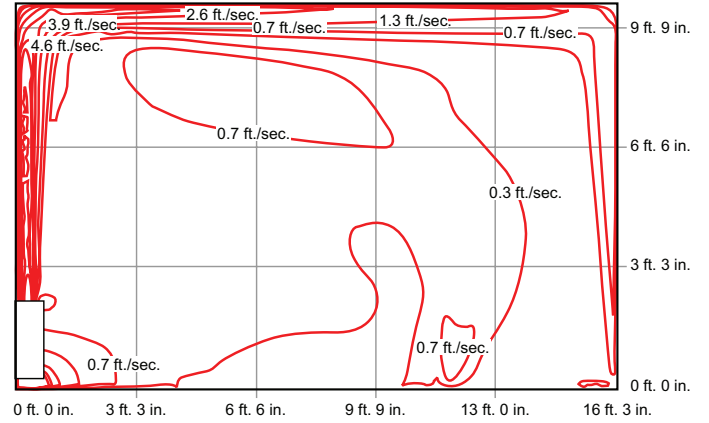
VSCA015H4 - HEATING



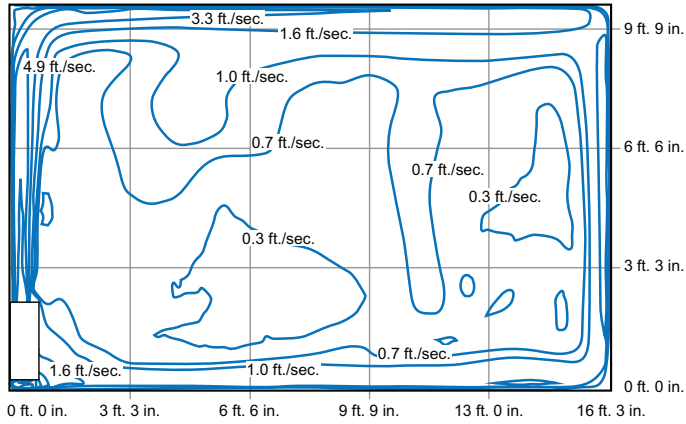
VSCA018H4 - COOLING



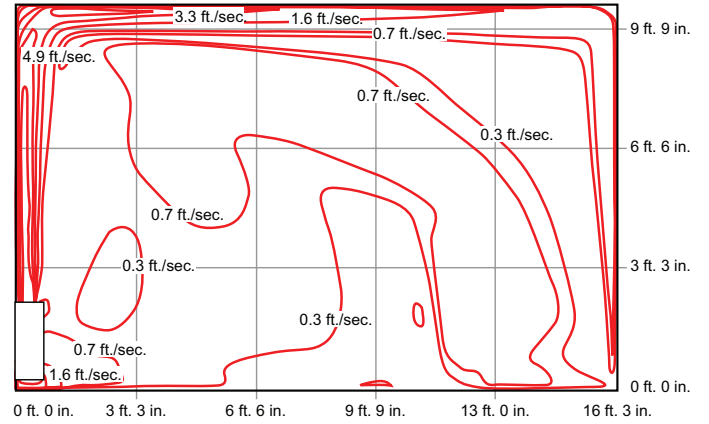
VSCA018H4 - HEATING



VSCA024H4 - COOLING



VSCA024H4 - HEATING



COOLING CAPACITY

Size	Outdoor Temperature °F (Dry Bulb)	Indoor Temperature - °F (Dry Bulb / Wet Bulb)											
		67 / 57		71 / 60		75 / 63		80 / 67		85 / 71		90 / 75	
		Total	Sensible	Total	Sensible	Total	Sensible	Total	Sensible	Total	Sensible	Total	Sensible
		MBH	MBH	MBH	MBH	MBH	MBH	MBH	MBH	MBH	MBH	MBH	MBH
007	-10	4.40	3.17	5.33	3.93	6.26	4.72	7.50	5.71	8.74	6.61	9.98	7.62
	5	4.40	3.17	5.33	3.93	6.26	4.72	7.50	5.71	8.74	6.61	9.98	7.62
	10	4.40	3.17	5.33	3.93	6.26	4.72	7.50	5.71	8.74	6.61	9.98	7.62
	15	4.40	3.17	5.33	3.93	6.26	4.72	7.50	5.71	8.74	6.61	9.94	7.59
	20	4.40	3.17	5.33	3.93	6.26	4.72	7.50	5.71	8.74	6.61	9.80	7.49
	25	4.40	3.17	5.33	3.93	6.26	4.72	7.50	5.71	8.74	6.61	9.66	7.37
	30	4.40	3.17	5.33	3.93	6.26	4.72	7.50	5.71	8.74	6.61	9.51	7.26
	35	4.40	3.17	5.33	3.93	6.26	4.72	7.50	5.71	8.74	6.61	9.37	7.15
	40	4.40	3.17	5.33	3.93	6.26	4.72	7.50	5.71	8.74	6.61	9.23	7.04
	45	4.40	3.17	5.33	3.93	6.26	4.72	7.50	5.71	8.74	6.61	9.08	6.93
	50	4.40	3.17	5.33	3.93	6.26	4.72	7.50	5.71	8.74	6.61	8.94	6.83
	55	4.40	3.17	5.33	3.93	6.26	4.72	7.50	5.71	8.72	6.60	8.80	6.72
	60	4.40	3.17	5.33	3.93	6.26	4.72	7.50	5.71	8.58	6.49	8.65	6.61
	65	4.40	3.17	5.33	3.93	6.26	4.72	7.50	5.71	8.44	6.38	8.51	6.50
	70	4.40	3.17	5.33	3.93	6.26	4.72	7.50	5.71	8.29	6.28	8.36	6.39
	75	4.40	3.17	5.33	3.93	6.26	4.72	7.50	5.71	8.15	6.17	8.22	6.28
	80	4.40	3.17	5.33	3.93	6.26	4.72	7.50	5.71	8.00	6.06	8.08	6.17
	85	4.40	3.17	5.33	3.93	6.26	4.72	7.50	5.71	7.86	5.95	7.93	6.06
	90	4.40	3.17	5.33	3.93	6.26	4.72	7.50	5.71	7.72	5.84	7.79	5.95
	95	4.40	3.17	5.33	3.93	6.26	4.72	7.50	5.71	7.57	5.73	7.64	5.84
100	4.40	3.17	5.33	3.93	6.26	4.72	7.36	5.60	7.43	5.62	7.50	5.72	
105	4.40	3.17	5.33	3.93	6.26	4.72	7.21	5.49	7.26	5.50	7.27	5.55	
110	4.40	3.17	5.33	3.93	6.26	4.72	6.78	5.16	6.95	5.26	7.05	5.38	
115	4.40	3.17	5.10	3.76	5.23	3.94	5.39	4.10	5.56	4.21	5.73	4.37	
118	3.91	2.82	4.26	3.15	4.39	3.31	4.56	3.47	4.72	3.57	4.89	3.73	
125	2.23	1.61	2.36	1.74	2.48	1.87	2.65	2.02	2.81	2.13	2.98	2.28	
009	-10	5.57	3.96	6.75	4.91	7.93	5.90	9.50	7.13	11.07	8.27	12.64	9.52
	5	5.57	3.96	6.75	4.91	7.93	5.90	9.50	7.13	11.07	8.27	12.64	9.52
	10	5.57	3.96	6.75	4.91	7.93	5.90	9.50	7.13	11.07	8.27	12.64	9.52
	15	5.57	3.96	6.75	4.91	7.93	5.90	9.50	7.13	11.07	8.27	12.60	9.49
	20	5.57	3.96	6.75	4.91	7.93	5.90	9.50	7.13	11.07	8.27	12.42	9.35
	25	5.57	3.96	6.75	4.91	7.93	5.90	9.50	7.13	11.07	8.27	12.23	9.22
	30	5.57	3.96	6.75	4.91	7.93	5.90	9.50	7.13	11.07	8.27	12.05	9.08
	35	5.57	3.96	6.75	4.91	7.93	5.90	9.50	7.13	11.07	8.27	11.87	8.94
	40	5.57	3.96	6.75	4.91	7.93	5.90	9.50	7.13	11.07	8.27	11.69	8.80
	45	5.57	3.96	6.75	4.91	7.93	5.90	9.50	7.13	11.07	8.27	11.51	8.67
	50	5.57	3.96	6.75	4.91	7.93	5.90	9.50	7.13	11.07	8.27	11.32	8.53
	55	5.57	3.96	6.75	4.91	7.93	5.90	9.50	7.13	11.05	8.25	11.14	8.39
	60	5.57	3.96	6.75	4.91	7.93	5.90	9.50	7.13	10.87	8.11	10.96	8.25
	65	5.57	3.96	6.75	4.91	7.93	5.90	9.50	7.13	10.68	7.98	10.78	8.12
	70	5.57	3.96	6.75	4.91	7.93	5.90	9.50	7.13	10.50	7.84	10.59	7.98
	75	5.57	3.96	6.75	4.91	7.93	5.90	9.50	7.13	10.32	7.71	10.41	7.84
	80	5.57	3.96	6.75	4.91	7.93	5.90	9.50	7.13	10.14	7.57	10.23	7.71
	85	5.57	3.96	6.75	4.91	7.93	5.90	9.50	7.13	9.96	7.43	10.05	7.57
	90	5.57	3.96	6.75	4.91	7.93	5.90	9.50	7.13	9.77	7.30	9.87	7.43
	95	5.57	3.96	6.75	4.91	7.93	5.90	9.50	7.13	9.59	7.16	9.68	7.29
100	5.57	3.96	6.75	4.91	7.93	5.90	9.32	7.00	9.41	7.03	9.49	7.15	
105	5.57	3.96	6.75	4.91	7.93	5.90	9.14	6.86	9.20	6.87	9.21	6.94	
110	5.57	3.96	6.75	4.91	7.93	5.90	8.59	6.45	8.80	6.57	8.92	6.72	
115	5.57	3.96	6.46	4.70	6.62	4.92	6.83	5.13	7.04	5.26	7.25	5.46	
118	4.95	3.52	5.40	3.93	5.56	4.13	5.77	4.33	5.98	4.47	6.19	4.66	
125	2.83	2.01	2.98	2.17	3.14	2.34	3.35	2.52	3.56	2.66	3.78	2.84	

NOTE - MBH = 1000 BTUs per hour.

COOLING CAPACITY

Size	Outdoor Temperature °F (Dry Bulb)	Indoor Temperature - °F (Dry Bulb / Wet Bulb)											
		67 / 57		71 / 60		75 / 63		80 / 67		85 / 71		90 / 75	
		Total	Sensible	Total	Sensible	Total	Sensible	Total	Sensible	Total	Sensible	Total	Sensible
		MBH	MBH	MBH	MBH	MBH	MBH	MBH	MBH	MBH	MBH	MBH	MBH
012	-10	7.04	5.07	8.53	6.29	10.02	7.55	12.00	9.13	13.98	10.58	15.97	12.19
	5	7.04	5.07	8.53	6.29	10.02	7.55	12.00	9.13	13.98	10.58	15.97	12.19
	10	7.04	5.07	8.53	6.29	10.02	7.55	12.00	9.13	13.98	10.58	15.97	12.19
	15	7.04	5.07	8.53	6.29	10.02	7.55	12.00	9.13	13.98	10.58	15.91	12.15
	20	7.04	5.07	8.53	6.29	10.02	7.55	12.00	9.13	13.98	10.58	15.69	11.98
	25	7.04	5.07	8.53	6.29	10.02	7.55	12.00	9.13	13.98	10.58	15.45	11.80
	30	7.04	5.07	8.53	6.29	10.02	7.55	12.00	9.13	13.98	10.58	15.22	11.62
	35	7.04	5.07	8.53	6.29	10.02	7.55	12.00	9.13	13.98	10.58	14.99	11.45
	40	7.04	5.07	8.53	6.29	10.02	7.55	12.00	9.13	13.98	10.58	14.76	11.27
	45	7.04	5.07	8.53	6.29	10.02	7.55	12.00	9.13	13.98	10.58	14.53	11.10
	50	7.04	5.07	8.53	6.29	10.02	7.55	12.00	9.13	13.98	10.58	14.30	10.92
	55	7.04	5.07	8.53	6.29	10.02	7.55	12.00	9.13	13.96	10.56	14.07	10.74
	60	7.04	5.07	8.53	6.29	10.02	7.55	12.00	9.13	13.73	10.39	13.84	10.57
	65	7.04	5.07	8.53	6.29	10.02	7.55	12.00	9.13	13.50	10.22	13.61	10.39
	70	7.04	5.07	8.53	6.29	10.02	7.55	12.00	9.13	13.27	10.04	13.38	10.22
	75	7.04	5.07	8.53	6.29	10.02	7.55	12.00	9.13	13.04	9.87	13.15	10.04
	80	7.04	5.07	8.53	6.29	10.02	7.55	12.00	9.13	12.81	9.69	12.92	9.87
	85	7.04	5.07	8.53	6.29	10.02	7.55	12.00	9.13	12.58	9.52	12.69	9.69
	90	7.04	5.07	8.53	6.29	10.02	7.55	12.00	9.13	12.35	9.34	12.46	9.51
	95	7.04	5.07	8.53	6.29	10.02	7.55	12.00	9.13	12.12	9.17	12.23	9.34
100	7.04	5.07	8.53	6.29	10.02	7.55	11.77	8.96	11.89	9.00	11.99	9.16	
105	7.04	5.07	8.53	6.29	10.02	7.55	11.54	8.78	11.62	8.79	11.63	8.88	
110	7.04	5.07	8.53	6.29	10.02	7.55	10.85	8.26	11.12	8.41	11.27	8.61	
115	7.04	5.07	8.16	6.02	8.36	6.30	8.63	6.57	8.89	6.73	9.16	6.99	
118	6.25	4.51	6.82	5.03	7.02	5.29	7.29	5.55	7.56	5.72	7.82	5.97	
125	3.57	2.57	3.77	2.78	3.97	2.99	4.24	3.22	4.50	3.41	4.77	3.64	
015	-10	8.80	6.34	10.66	7.87	12.52	9.44	15.00	11.42	17.48	13.23	19.96	15.24
	5	8.80	6.34	10.66	7.87	12.52	9.44	15.00	11.42	17.48	13.23	19.96	15.24
	10	8.80	6.34	10.66	7.87	12.52	9.44	15.00	11.42	17.48	13.23	19.96	15.24
	15	8.80	6.34	10.66	7.87	12.52	9.44	15.00	11.42	17.48	13.23	19.89	15.18
	20	8.80	6.34	10.66	7.87	12.52	9.44	15.00	11.42	17.48	13.23	19.61	14.97
	25	8.80	6.34	10.66	7.87	12.52	9.44	15.00	11.42	17.48	13.23	19.32	14.75
	30	8.80	6.34	10.66	7.87	12.52	9.44	15.00	11.42	17.48	13.23	19.03	14.53
	35	8.80	6.34	10.66	7.87	12.52	9.44	15.00	11.42	17.48	13.23	18.74	14.31
	40	8.80	6.34	10.66	7.87	12.52	9.44	15.00	11.42	17.48	13.23	18.45	14.09
	45	8.80	6.34	10.66	7.87	12.52	9.44	15.00	11.42	17.48	13.23	18.17	13.87
	50	8.80	6.34	10.66	7.87	12.52	9.44	15.00	11.42	17.48	13.23	17.88	13.65
	55	8.80	6.34	10.66	7.87	12.52	9.44	15.00	11.42	17.45	13.20	17.59	13.43
	60	8.80	6.34	10.66	7.87	12.52	9.44	15.00	11.42	17.16	12.99	17.30	13.21
	65	8.80	6.34	10.66	7.87	12.52	9.44	15.00	11.42	16.87	12.77	17.02	12.99
	70	8.80	6.34	10.66	7.87	12.52	9.44	15.00	11.42	16.58	12.55	16.73	12.77
	75	8.80	6.34	10.66	7.87	12.52	9.44	15.00	11.42	16.30	12.33	16.44	12.55
	80	8.80	6.34	10.66	7.87	12.52	9.44	15.00	11.42	16.01	12.12	16.15	12.33
	85	8.80	6.34	10.66	7.87	12.52	9.44	15.00	11.42	15.72	11.90	15.86	12.11
	90	8.80	6.34	10.66	7.87	12.52	9.44	15.00	11.42	15.43	11.68	15.58	11.89
	95	8.80	6.34	10.66	7.87	12.52	9.44	15.00	11.42	15.14	11.46	15.29	11.67
100	8.80	6.34	10.66	7.87	12.52	9.44	14.71	11.20	14.86	11.24	14.99	11.45	
105	8.80	6.34	10.66	7.87	12.52	9.44	14.42	10.98	14.52	10.99	14.54	11.10	
110	8.80	6.34	10.66	7.87	12.52	9.44	13.56	10.32	13.90	10.52	14.09	10.76	
115	8.80	6.34	10.20	7.53	10.45	7.88	10.78	8.21	11.12	8.41	11.45	8.74	
118	7.82	5.63	8.53	6.29	8.78	6.62	9.11	6.93	9.44	7.15	9.78	7.46	
125	4.46	3.22	4.71	3.48	4.96	3.74	5.30	4.03	5.63	4.26	5.96	4.55	

NOTE - MBH = 1000 BTUs per hour.

COOLING CAPACITY

Size	Outdoor Temperature °F (Dry Bulb)	Indoor Temperature - °F (Dry Bulb / Wet Bulb)											
		67 / 57		71 / 60		75 / 63		80 / 67		85 / 71		90 / 75	
		Total	Sensible	Total	Sensible	Total	Sensible	Total	Sensible	Total	Sensible	Total	Sensible
		MBH	MBH	MBH	MBH	MBH	MBH	MBH	MBH	MBH	MBH	MBH	MBH
018	-10	11.15	7.92	13.50	9.82	15.86	11.79	19.00	14.27	22.14	16.53	25.28	19.04
	5	11.15	7.92	13.50	9.82	15.86	11.79	19.00	14.27	22.14	16.53	25.28	19.04
	10	11.15	7.92	13.50	9.82	15.86	11.79	19.00	14.27	22.14	16.53	25.28	19.04
	15	11.15	7.92	13.50	9.82	15.86	11.79	19.00	14.27	22.14	16.53	25.19	18.98
	20	11.15	7.92	13.50	9.82	15.86	11.79	19.00	14.27	22.14	16.53	24.84	18.71
	25	11.15	7.92	13.50	9.82	15.86	11.79	19.00	14.27	22.14	16.53	24.47	18.43
	30	11.15	7.92	13.50	9.82	15.86	11.79	19.00	14.27	22.14	16.53	24.10	18.16
	35	11.15	7.92	13.50	9.82	15.86	11.79	19.00	14.27	22.14	16.53	23.74	17.88
	40	11.15	7.92	13.50	9.82	15.86	11.79	19.00	14.27	22.14	16.53	23.38	17.61
	45	11.15	7.92	13.50	9.82	15.86	11.79	19.00	14.27	22.14	16.53	23.01	17.33
	50	11.15	7.92	13.50	9.82	15.86	11.79	19.00	14.27	22.14	16.53	22.65	17.06
	55	11.15	7.92	13.50	9.82	15.86	11.79	19.00	14.27	22.10	16.50	22.28	16.78
	60	11.15	7.92	13.50	9.82	15.86	11.79	19.00	14.27	21.73	16.23	21.92	16.51
	65	11.15	7.92	13.50	9.82	15.86	11.79	19.00	14.27	21.37	15.96	21.55	16.23
	70	11.15	7.92	13.50	9.82	15.86	11.79	19.00	14.27	21.01	15.68	21.19	15.96
	75	11.15	7.92	13.50	9.82	15.86	11.79	19.00	14.27	20.64	15.41	20.82	15.69
	80	11.15	7.92	13.50	9.82	15.86	11.79	19.00	14.27	20.28	15.14	20.46	15.41
	85	11.15	7.92	13.50	9.82	15.86	11.79	19.00	14.27	19.91	14.87	20.09	15.14
	90	11.15	7.92	13.50	9.82	15.86	11.79	19.00	14.27	19.55	14.59	19.73	14.86
	95	11.15	7.92	13.50	9.82	15.86	11.79	19.00	14.27	19.18	14.32	19.37	14.59
	100	11.15	7.92	13.50	9.82	15.86	11.79	18.64	13.99	18.82	14.05	18.99	14.30
	105	11.15	7.92	13.50	9.82	15.86	11.79	18.27	13.72	18.39	13.73	18.42	13.87
	110	11.15	7.92	13.50	9.82	15.86	11.79	17.18	12.90	17.60	13.14	17.85	13.45
115	11.15	7.92	12.92	9.40	13.24	9.84	13.66	10.26	14.08	10.51	14.50	10.93	
118	9.90	7.03	10.80	7.86	11.12	8.27	11.54	8.67	11.96	8.93	12.38	9.33	
125	5.65	4.01	5.97	4.34	6.28	4.67	6.71	5.04	7.13	5.32	7.55	5.69	
024	-10	14.08	10.15	17.06	12.59	20.03	15.10	24.00	18.27	27.97	21.17	31.93	24.38
	5	14.08	10.15	17.06	12.59	20.03	15.10	24.00	18.27	27.97	21.17	31.93	24.38
	10	14.08	10.15	17.06	12.59	20.03	15.10	24.00	18.27	27.97	21.17	31.93	24.38
	15	14.08	10.15	17.06	12.59	20.03	15.10	24.00	18.27	27.97	21.17	31.82	24.30
	20	14.08	10.15	17.06	12.59	20.03	15.10	24.00	18.27	27.97	21.17	31.37	23.95
	25	14.08	10.15	17.06	12.59	20.03	15.10	24.00	18.27	27.97	21.17	30.91	23.60
	30	14.08	10.15	17.06	12.59	20.03	15.10	24.00	18.27	27.97	21.17	30.45	23.25
	35	14.08	10.15	17.06	12.59	20.03	15.10	24.00	18.27	27.97	21.17	29.99	22.89
	40	14.08	10.15	17.06	12.59	20.03	15.10	24.00	18.27	27.97	21.17	29.53	22.54
	45	14.08	10.15	17.06	12.59	20.03	15.10	24.00	18.27	27.97	21.17	29.07	22.19
	50	14.08	10.15	17.06	12.59	20.03	15.10	24.00	18.27	27.97	21.17	28.61	21.84
	55	14.08	10.15	17.06	12.59	20.03	15.10	24.00	18.27	27.91	21.13	28.15	21.49
	60	14.08	10.15	17.06	12.59	20.03	15.10	24.00	18.27	27.45	20.78	27.68	21.14
	65	14.08	10.15	17.06	12.59	20.03	15.10	24.00	18.27	26.99	20.43	27.22	20.79
	70	14.08	10.15	17.06	12.59	20.03	15.10	24.00	18.27	26.53	20.08	26.76	20.43
	75	14.08	10.15	17.06	12.59	20.03	15.10	24.00	18.27	26.07	19.73	26.30	20.08
	80	14.08	10.15	17.06	12.59	20.03	15.10	24.00	18.27	25.61	19.39	25.84	19.73
	85	14.08	10.15	17.06	12.59	20.03	15.10	24.00	18.27	25.15	19.04	25.38	19.38
	90	14.08	10.15	17.06	12.59	20.03	15.10	24.00	18.27	24.69	18.69	24.92	19.03
	95	14.08	10.15	17.06	12.59	20.03	15.10	24.00	18.27	24.23	18.34	24.46	18.68
	100	14.08	10.15	17.06	12.59	20.03	15.10	23.54	17.92	23.77	17.99	23.99	18.31
	105	14.08	10.15	17.06	12.59	20.03	15.10	23.08	17.57	23.23	17.59	23.27	17.76
	110	14.08	10.15	17.06	12.59	20.03	15.10	21.70	16.52	22.23	16.83	22.55	17.21
115	14.08	10.15	16.32	12.04	16.72	12.61	17.25	13.13	17.79	13.46	18.32	13.99	
118	12.51	9.01	13.64	10.07	14.04	10.59	14.58	11.10	15.11	11.44	15.64	11.94	
125	7.14	5.14	7.54	5.56	7.94	5.98	8.47	6.45	9.01	6.82	9.54	7.28	

NOTE - MBH = 1000 BTUs per hour.

HEATING CAPACITY

Size	Outdoor Temperature (°F)		Indoor Temperature - °F (Dry Bulb)					
			61	64	67	70	73	75
	Dry Bulb	Wet Bulb	Total Capacity					
		MBH	MBH	MBH	MBH	MBH	MBH	
007	-13	-14	3.70	3.54	3.37	3.21	3.03	2.92
	-8	-9	4.14	3.98	3.81	3.64	3.47	3.36
	-3	-4	4.58	4.42	4.24	4.08	3.92	3.80
	2	1	5.02	4.85	4.68	4.52	4.36	4.24
	7	6	5.45	5.29	5.13	4.96	4.79	4.67
	12	10	5.81	5.64	5.47	5.31	5.15	5.03
	17	15	6.24	6.08	5.91	5.75	5.58	5.46
	22	20	6.68	6.52	6.36	6.18	6.02	5.90
	27	24	7.03	6.87	6.70	6.54	6.37	6.25
	32	29	7.47	7.31	7.14	6.97	6.81	6.69
	37	34	7.91	7.75	7.57	7.41	7.25	7.13
	42	38	8.26	8.10	7.93	7.76	7.60	7.25
	47	43	8.70	8.54	8.36	8.20	7.63	7.25
	52	47	9.05	8.89	8.72	8.20	7.63	7.25
	57	52	9.49	9.33	8.77	8.20	7.63	7.25
	62	56	9.84	9.35	8.77	8.20	7.63	7.25
	67	61	9.91	9.35	8.77	8.20	7.63	7.25
	72	66	9.91	9.35	8.77	8.20	7.63	7.25
75	69	9.91	9.35	8.77	8.20	7.63	7.25	
80	74	9.91	9.35	8.77	8.20	7.63	7.25	
009	-13	-14	4.92	4.70	4.48	4.26	4.04	3.89
	-8	-9	5.51	5.28	5.06	4.84	4.62	4.47
	-3	-4	6.09	5.87	5.65	5.42	5.20	5.05
	2	1	6.67	6.45	6.23	6.01	5.78	5.64
	7	6	7.25	7.03	6.81	6.59	6.37	6.22
	12	10	7.72	7.50	7.28	7.06	6.83	6.69
	17	15	8.30	8.08	7.86	7.64	7.42	7.27
	22	20	8.89	8.66	8.44	8.22	8.00	7.85
	27	24	9.35	9.13	8.91	8.69	8.47	8.32
	32	29	9.94	9.71	9.49	9.27	9.05	8.90
	37	34	10.52	10.30	10.08	9.85	9.63	9.48
	42	38	10.98	10.76	10.54	10.32	10.10	9.63
	47	43	11.57	11.35	11.12	10.90	10.14	9.63
	52	47	12.03	11.81	11.59	10.90	10.14	9.63
	57	52	12.62	12.40	11.66	10.90	10.14	9.63
	62	56	13.08	12.42	11.66	10.90	10.14	9.63
	67	61	13.18	12.42	11.66	10.90	10.14	9.63
	72	66	13.18	12.42	11.66	10.90	10.14	9.63
75	69	13.18	12.42	11.66	10.90	10.14	9.63	
80	74	13.18	12.42	11.66	10.90	10.14	9.63	

NOTE - MBH = 1000 BTUs per hour.

HEATING CAPACITY

Size	Outdoor Temperature (°F)		Indoor Temperature - °F (Dry Bulb)					
			61	64	67	70	73	75
	Dry Bulb	Wet Bulb	Total Capacity					
			MBH	MBH	MBH	MBH	MBH	MBH
012	-13	-14	5.30	5.03	4.75	4.48	4.21	4.02
	-8	-9	6.10	5.82	5.55	5.27	5.00	4.81
	-3	-4	6.89	6.61	6.34	6.06	5.79	5.60
	2	1	7.68	7.40	7.13	6.85	6.58	6.40
	7	6	8.47	8.20	7.92	7.65	7.37	7.19
	12	10	9.10	8.83	8.55	8.28	8.00	7.82
	17	15	9.89	9.62	9.35	9.07	8.80	8.61
	22	20	10.69	10.41	10.14	9.86	9.59	9.40
	27	24	11.32	11.04	10.77	10.50	10.22	10.04
	32	29	12.11	11.84	11.56	11.29	11.01	10.83
	37	34	12.90	12.63	12.35	12.08	11.80	11.62
	42	38	13.54	13.26	12.99	12.71	12.44	11.93
	47	43	14.33	14.05	13.78	13.50	12.56	11.93
	52	47	14.96	14.69	14.41	13.50	12.56	11.93
	57	52	15.75	15.38	14.44	13.50	12.56	11.93
	62	56	16.33	15.38	14.44	13.50	12.56	11.93
	67	61	16.33	15.38	14.44	13.50	12.56	11.93
	72	66	16.33	15.38	14.44	13.50	12.56	11.93
75	69	16.33	15.38	14.44	13.50	12.56	11.93	
80	74	16.33	15.38	14.44	13.50	12.56	11.93	
015	-13	-14	7.68	7.33	6.99	6.64	6.29	6.06
	-8	-9	8.59	8.24	7.90	7.55	7.20	6.97
	-3	-4	9.50	9.15	8.80	8.46	8.11	7.88
	2	1	10.41	10.06	9.71	9.37	9.02	8.79
	7	6	11.31	10.97	10.62	10.28	9.93	9.70
	12	10	12.04	11.70	11.35	11.00	10.66	10.43
	17	15	12.95	12.61	12.26	11.91	11.57	11.34
	22	20	13.86	13.51	13.17	12.82	12.48	12.25
	27	24	14.59	14.24	13.90	13.55	13.20	12.97
	32	29	15.50	15.15	14.80	14.46	14.11	13.88
	37	34	16.41	16.06	15.71	15.37	15.02	14.79
	42	38	17.13	16.79	16.44	16.09	15.75	15.02
	47	43	18.04	17.70	17.35	17.00	15.81	15.02
	52	47	18.77	18.42	18.08	17.00	15.81	15.02
	57	52	19.68	19.33	18.19	17.00	15.81	15.02
	62	56	20.40	19.37	18.19	17.00	15.81	15.02
	67	61	20.56	19.37	18.19	17.00	15.81	15.02
	72	66	20.56	19.37	18.19	17.00	15.81	15.02
75	69	20.56	19.37	18.19	17.00	15.81	15.02	
80	74	20.56	19.37	18.19	17.00	15.81	15.02	

NOTE - MBH = 1000 BTUs per hour.

HEATING CAPACITY

Size	Outdoor Temperature (°F)		Indoor Temperature - °F (Dry Bulb)					
			61	64	67	70	73	75
	Dry Bulb	Wet Bulb	Total Capacity					
		MBH	MBH	MBH	MBH	MBH	MBH	
018	-13	-14	9.71	9.27	8.84	8.40	7.96	7.67
	-8	-9	10.86	10.42	9.99	9.55	9.11	8.82
	-3	-4	12.01	11.57	11.14	10.70	10.26	9.97
	2	1	13.16	12.72	12.29	11.85	11.41	11.12
	7	6	14.31	13.87	13.43	13.00	12.56	12.27
	12	10	15.23	14.79	14.35	13.92	13.48	13.19
	17	15	16.38	15.94	15.50	15.07	14.63	14.34
	22	20	17.53	17.09	16.65	16.22	15.78	15.49
	27	24	18.45	18.01	17.57	17.14	16.70	16.41
	32	29	19.60	19.16	18.72	18.29	17.85	17.56
	37	34	20.75	20.31	19.87	19.44	19.00	18.71
	42	38	21.67	21.23	20.79	20.35	19.92	19.00
	47	43	22.82	22.38	21.94	21.00	20.00	19.00
	52	47	23.74	23.30	22.86	21.00	20.00	19.00
	57	52	24.89	24.45	23.00	21.00	20.00	19.00
	62	56	25.81	24.50	23.00	21.00	20.00	19.00
	67	61	26.00	24.50	23.00	21.00	20.00	19.00
	72	66	26.00	24.50	23.00	21.00	20.00	19.00
75	69	26.00	24.50	23.00	21.00	20.00	19.00	
80	74	26.00	24.50	23.00	21.00	20.00	19.00	
024	-13	-14	12.95	12.40	11.85	11.30	10.75	10.38
	-8	-9	14.23	13.69	13.14	12.59	12.04	11.67
	-3	-4	15.54	14.99	14.44	13.89	13.34	12.98
	2	1	16.87	16.32	15.77	15.22	14.67	14.30
	7	6	18.21	17.66	17.11	16.56	16.01	15.65
	12	10	19.30	18.75	18.20	17.65	17.10	16.73
	17	15	20.67	20.12	19.57	19.02	18.47	18.11
	22	20	22.06	21.51	20.97	20.42	19.87	19.50
	27	24	23.19	22.64	22.09	21.54	20.99	20.63
	32	29	24.61	24.07	23.52	22.97	22.42	22.05
	37	34	26.06	25.51	24.96	24.41	23.86	23.49
	42	38	27.22	26.67	26.12	25.57	25.03	23.86
	47	43	28.70	28.15	27.60	27.00	25.12	23.86
	52	47	29.89	29.34	28.79	27.00	25.12	23.86
	57	52	31.39	30.77	28.88	27.00	25.12	23.86
	62	56	32.61	30.77	28.88	27.00	25.12	23.86
	67	61	32.65	30.77	28.88	27.00	25.12	23.86
	72	66	32.65	30.77	28.88	27.00	25.12	23.86
75	69	32.65	30.77	28.88	27.00	25.12	23.86	
80	74	32.65	30.77	28.88	27.00	25.12	23.86	

NOTE - MBH = 1000 BTUs per hour.



Visit us at www.lennox.com

For the latest technical information, www.lennoxcommercial.com

Contact us at 1-800-4-LENNOX



NOTE - Due to Lennox' ongoing commitment to quality, Specifications, Ratings and Dimensions subject to change without notice and without incurring liability.
Improper installation, adjustment, alteration, service or maintenance can cause property damage or personal injury.
Installation and service must be performed by a qualified installer and servicing agency.

©2020 Lennox Industries, Inc.