



VRB
Low Ambient Heat Recovery Outdoor Units
60 Hz

**COMMERCIAL
PRODUCT SPECIFICATIONS**

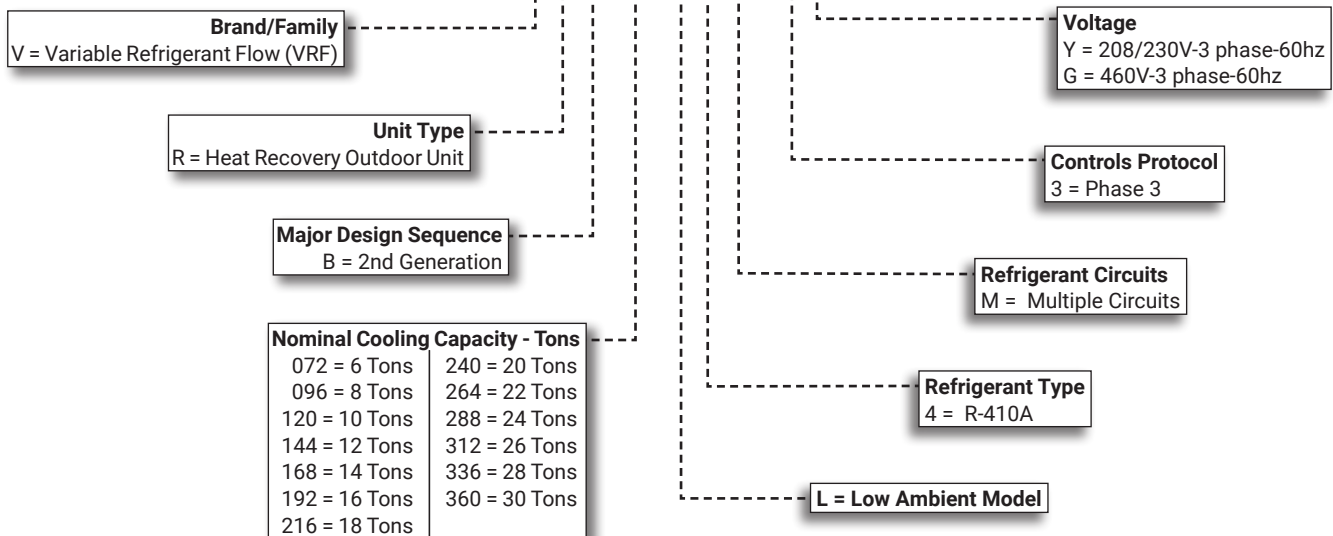
Bulletin No. 210923
February 2021
Supersedes October 2020



**ASHRAE 90.1
COMPLIANT**
6 to 30 Tons

MODEL NUMBER IDENTIFICATION

VRB 072 L 4 M - 3 Y



CONTENTS

| | |
|---------------------------------------|----|
| AHRI Ratings | 8 |
| Approvals And Warranty | 3 |
| Apps And Software | 5 |
| Capacity Tables Index | 2 |
| Dimensions - Piping Details | 17 |
| Dimensions - Unit | 15 |
| Electrical Data | 7 |
| Features And Benefits | 3 |
| Installation Clearances | 18 |
| Model Number Identification. | 1 |
| Sound Data | 12 |
| Specifications | 7 |
| System Combinations | 6 |

CAPACITY TABLES INDEX

| | |
|--|-----|
| Cooling Capacity - Single Module VRB072L4. | 19 |
| Heating Capacity - Single Module VRB072L4. | 24 |
| Cooling Capacity - Single Module VRB096L4. | 29 |
| Heating Capacity - Single Module VRB096L4. | 34 |
| Cooling Capacity - Single Module VRB120L4. | 39 |
| Heating Capacity - Single Module VRB120L4. | 44 |
| Cooling Capacity - Two Module VRB144L4. | 49 |
| Heating Capacity - Two Module VRB144L4. | 54 |
| Cooling Capacity - Two Module VRB168L4. | 59 |
| Heating Capacity - Two Module VRB168L4. | 64 |
| Cooling Capacity - Two Module VRB192L4. | 69 |
| Heating Capacity - Two Module VRB192L4. | 74 |
| Cooling Capacity - Two Module VRB216L4. | 79 |
| Heating Capacity - Two Module VRB216L4. | 84 |
| Cooling Capacity - Two Module VRB240L4. | 89 |
| Heating Capacity - Two Module VRB240L4. | 94 |
| Cooling Capacity - Three Module VRB264L4. | 99 |
| Heating Capacity - Three Module VRB264L4. | 104 |
| Cooling Capacity - Three Module VRB288L4. | 109 |
| Heating Capacity - Three Module VRB288L4. | 114 |
| Cooling Capacity - Three Module VRB312L4. | 119 |
| Heating Capacity - Three Module VRB312L4. | 124 |
| Cooling Capacity - Three Module VRB336L4. | 129 |
| Heating Capacity - Three Module VRB336L4. | 134 |
| Cooling Capacity - Three Module VRB360L4. | 139 |
| Heating Capacity - Three Module VRB360L4. | 144 |

APPROVALS AND WARRANTY

APPROVALS

- AHRI Certified to AHRI Standard 1230-2014
- All models are ASHRAE 90.1 compliant
- Units are ETL certified for the U.S. and Canada

WARRANTY

- Compressor and all Covered Components - Limited ten years for qualifying installations
- See Warranty Certificate for details

FEATURES AND BENEFITS

Overview

- Variable-capacity outdoor units modulate the amount of refrigerant needed based on cooling and heating demands allowing for reduced energy usage at partial load conditions
- Heat Recovery units allow some indoor units to heat and other indoor units to cool simultaneously as required, while the compressor load benefits from the internal heat recovery

Operation Range

- System will operate at temperatures ranging from 5°F to 125°F in cooling mode, -22°F to 80°F in heating mode and 5°F to 80°F in simultaneous heating/cooling mode

Capacity

- Ranges from 6 to 30 tons
- Up to 64 indoor units (with capacity up to 130% of total outdoor units) can be connected to one refrigeration system.

Compressor

- High efficiency variable capacity scroll compressor is direct current inverter controlled
- Reduces power consumption by as much as 25% by varying compressor motor input frequency and voltage

R-410A Refrigerant

- Non-chlorine based
- Ozone-friendly

Direct Current Outdoor Fan Motor

- Outdoor unit control varies the speed of the outdoor fan motor (up to 15 steps) based on load and refrigerant discharge pressure for minimum energy consumption
- Standard on all outdoor unit models

Outdoor Fan Grille

- Enhanced design reduces sound levels

Outdoor Fan Blade Profile

- Aerodynamically designed fan blade increases the airflow rate and reduces vibration and sound



High External Static Pressure

- High-static pressure outdoor fan adapts to various installation environments
- Offers selectable external static pressure up to 0.32 in. w.g. for units in custom applications

High Performance Outdoor Coil

- Special fin design pattern reduces air resistance and increases heat transfer
- Rifled tubing provides superior refrigerant flow resulting in maximum heat transfer
- Hydrophilic coating reduces condensate build-up and improves water drainage from coil, enhancing heat transfer performance

Flexible Piping Design

- Supports extended refrigerant piping and drop lengths

Four-Way Valve Control

- Reverses refrigerant flow during cooling or heating modes

Refrigerant Line Connections

- Gas and liquid line service valves and gauge ports are located inside the cabinet

High Pressure Sensor and Switch

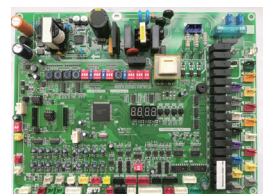
- Shuts off unit if abnormal operating conditions cause the discharge pressure to rise above setting
- Protects compressor from excessive discharge pressure

Low Pressure Sensor and Switch

- Shuts off unit if suction pressure falls below setting
- Provides loss of charge and freeze-up protection.

Unit Control Board

- Contains all necessary relays and controls to setup, maintain and service the system
- LED readout aids in system setup, maintenance and servicing
- Rotary DIP switches allow outdoor and indoor unit addressing, starting time silent time and mode, static pressure selection, outdoor unit capacity and network addressing
- LEDs indicate power supply, unit operation, network operation, inverter module operation



FEATURES AND BENEFITS

LED Display

- Located inside the unit cabinet
 - Control System Mode Operation (Off/Cooling /Heating /Mix Cooling/Mix Heating)
 - Monitor Compressor Status (Main Compressor Speed, Sub Compressor Speed)
 - Monitor Voltage, Monitor Status (Latest Error Code / Defrosting / Oil Return / Standby / Running)
- Buttons select Home / Menu, Back and Enter and Up/ Down buttons to make selection
- LEDs indicate menu status Data, Alarm, Setting, Services



Pulse Meter Connections

- Real-time monitoring of energy consumption through the Lennox VRF manager (LVM) Touchscreen Centralized Controller

NOTE - Pulse meter is not furnished and must be field provided.

Cycle Duty and Backup Operation

- In a multiple outdoor unit setup, any outdoor unit can be programmed as the main outdoor unit to maintain system operation during servicing
- Main outdoor unit is set on the control board

Precise Oil Control Technology

- Five-stage oil balance and return technology ensures proper compressor operation throughout the system
 - **1st Stage** - Oil and gas is separate in compressor
 - **2nd Stage** - High efficiency centrifugal oil separator (efficiency up to 99%) keeps oil from being distributed by high pressure and high temperature refrigerant gas and returns oil to compressor
 - **3rd Stage** - Refrigerant piping design between compressors keeps proper oil balance
 - **4th Stage** - Valve between outdoor unit stages maintains proper oil balance
 - **5th Stage** - Intelligent oil return algorithm implemented through the unit control maintains proper oil balance



Intelligent Soft Start

- Gradually ramps up compressor to speed to conserve energy

Control Box

- Contains main unit controller, DC inverter module, inverter reactor, filter board, outdoor power supply control, DC fan control module, contactor, power transformers and terminal block
- Swing-out design allows easy access to compressor compartment.

Night Silence Mode

- Reduces the speed of the outdoor fans for quiet operation
- The start time is measured in hours from the daytime peak temperature and the operating time is configurable
- Extra silent mode reduces sound levels to a minimum of 45 dBA

Remote Addressing

- Outdoor unit can automatically distribute addresses to indoor units without any manual settings
- Optional wireless remote control can inquire and modify each indoor unit's address

Optional Accessories

Hail Guard Kit

- Flat design allows outdoor modules to be placed close together
- Painted to match the outdoor unit

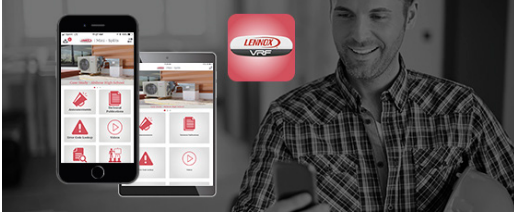
Low Ambient Kit (-10°F)

- Units operate in the cooling mode down to 5°F outdoor air temperature without any additional controls
- Kit can be added in the field enabling unit to operate properly down to -10°F in the cooling mode

NOTE - For multiple outdoor unit combinations (side by side). One top assembly and one rear panel is required for each outdoor unit module. Only two side panels are required for each side of the outermost outdoor unit modules.

APPS AND SOFTWARE

Lennox VRF and VRF Mini-Split App



Gives you resources to technical information for VRF and VRF mini-Split systems including:

Error Code Lookup

- Access to error codes for quicker troubleshooting

Document Library

- Easily view product specifications, submittals and installation manuals

Refrigerant Charge Calculator

- Quickly calculate additional charge for installed piping

Quick Reference

- View pressure-test and evacuation-procedure processes and pre-commissioning checklist

Pipe Limitations

- View recommended specifications

Videos

- Learn more about the Lennox VRF system

NOTE - This app is a central database of technical, service, installation, and troubleshooting guides and does not directly connect to the Lennox VRF System.



NOTE - Apple, the Apple logo, iPhone and iPad are trademarks of Apple Inc. registered in the US and other countries.
Android is a trademark of Google Inc. Use of this trademark is subject to Google permission.

SYSTEM COMBINATIONS

| Model No. | Capacity | Outdoor Units Combinations | Maximum Number of Indoor Units |
|-----------|----------|--|--------------------------------|
| VRB072L4 | 6 Ton | (1) VRB072L4 | 13 |
| VRB096L4 | 8 Ton | (1) VRB096L4 | 17 |
| VRB120L4 | 10 Ton | (1) VRB120L4 | 22 |
| VRB144L4 | 12 Ton | (2) VRB072L4 | 25 |
| VRB168L4 | 14 Ton | (1) VRB096L4 + (1) VRB072L4 | 29 |
| VRB192L4 | 16 Ton | (1) VRB120L4 + (1) VRB072L4 | 35 |
| VRB216L4 | 18 Ton | (1) VRB120L4 + (1) VRB096L4 | 40 |
| VRB240L4 | 20 Ton | (2) VRB120L4 | 44 |
| VRB264L4 | 22 Ton | (1) VRB120L4 + (2) VRB072L4 | 49 |
| VRB288L4 | 24 Ton | (1) VRB120L4 + (1) VRB096L4 + (1) VRB072L4 | 53 |
| VRB312L4 | 26 Ton | (2) VRB120L4 + (1) VRB072L4 | 57 |
| VRB336L4 | 28 Ton | (2) VRB120L4 + (1) VRB096L4 | 62 |
| VRB360L4 | 30 Ton | (3) VRB120L4 | 64 |

OPTIONAL ACCESSORIES

| Item Description | Catalog Number | Unit Model No | | |
|---|----------------|---------------|----------|----------|
| | | VRB072L4 | VRB096L4 | VRB120L4 |
| HAIL GUARD KIT | | | | |
| | Order 1 | 19S80 | X | |
| | Order 1 | 19S81 | | X |
| LOW AMBIENT KIT (-10°F) | | | | |
| Low Ambient Cooling Hood Assembly with Damper and Control Box (Order 1) | | 19H01 | X | |
| ¹ Side Wind Deflector (Order 2) | | 19H02 | X | |
| Rear Wind Deflector (Order 1) | | 19H03 | X | |
| Low Ambient Cooling Hood Assembly with Damper and Control Box (Order 1) | | 19H04 | | X |
| ¹ Side Wind Deflector (Order 2) | | 19H05 | | X |
| Rear Wind Deflector and Corner Panels (Order 1) | | 19H06 | | X |

NOTE - If using the Lennox VRF Selection Software, the correct number of components will automatically be ordered.

¹ Multiple outdoor unit combinations (side by side) - One top assembly and one rear panel is required for each outdoor unit module. Only two side panels are required for each side of the outermost outdoor unit modules.

| SPECIFICATIONS | | INDIVIDUAL OUTDOOR UNITS | | |
|--------------------------------|--------------------------------------|---|-------------------|-------------------|
| Model No. | | VRB072L4 | VRB096L4 | VRB120L4 |
| | Nominal Size - Tons | 6 | 8 | 10 |
| Sound Data (dBA) | 208/230V | 65 | 65 | 67 |
| | 460V | 65 | 65 | 67 |
| Refrigerant | Type | R-410A | R-410A | R-410A |
| | Charge furnished | 23 lbs. 8 oz. | 23 lbs. 8 oz. | 23 lbs. 8 oz. |
| Compressor | No. and Type | (1) DC inverter | (2) DC inverter | (2) DC inverter |
| | Crankcase heater - W | (2) 30 | (4) 30 | (4) 30 |
| | Refrigerant oil type | FVC68D | FVC68D | FVC68D |
| | Refrigerant oil charge - oz. | 37.2 | 37.2 | 37.2 |
| Connections - in. (sweat) | Liquid pipe | 5/8 | 3/4 | 3/4 |
| | Gas pipe (low pressure) | 1-1/8 | 1-1/4 | 1-1/4 |
| | Gas pipe (high pressure) | 1 | 1-1/4 | 1-1/4 |
| | Gas balance pipe (high pressure) | 3/4 | 3/4 | 3/4 |
| | Oil balance pipe | 5/16 | 5/16 | 5/16 |
| Outdoor Fans | Quantity, Type and Material | (2) Axial Plastic | (2) Axial Plastic | (2) Axial Plastic |
| | External Static Pressure - in. w.g. | 0 - 0.32 | 0 - 0.32 | 0 - 0.32 |
| | Air volume - cfm | 8200 | 12,500 | 12,500 |
| | Motor rpm | (2) 880 | (2) 850 | (2) 850 |
| Outdoor Coil | Number of rows | 3 | 3 | 3 |
| | Tube pitch (a) × row pitch (b) - in. | 7/8 x 3/4 | 7/8 x 3/4 | 7/8 x 3/4 |
| | Fin spacing - in. | 5/8 | 5/8 | 5/8 |
| | Fin type | Hydrophilic aluminum | | |
| | Tube outside diameter - in. | 5/16 | 5/16 | 5/16 |
| | Tube type | Rifled copper tubing | | |
| | Coil dimension (W × H) - in. | 42-7/8 x 48-1/2 | 49-7/16 x 55-7/16 | 49-7/16 x 55-7/16 |
| | Quantity | 2 | 2 | 2 |
| | Number of circuits | 14 | 14 | 14 |
| Design Pressure | High/low | 650 / 250 | 650 / 250 | 650 / 250 |
| Ambient Temperature Range (°F) | Cooling | 1 5 to 125°F | | |
| | Heating | -22 to 80°F | | |
| | Simultaneous Cooling/Heating | 2 5 to 80°F | | |
| Shipping Data | Net/Shipping weight - 208/230V | 765 / 836 | 1093 / 1183 | 1093 / 1183 |
| | 460V | 800 / 870 | 1076 / 1166 | 1076 / 1166 |
| Connectable Indoor Units | Total capacity (%) | 50 to 130 | 50 to 130 | 50 to 130 |
| | Maximum quantity | 13 | 17 | 22 |
| Electrical Data | | See separate Electrical Data Table for individual outdoor unit data | | |

¹ Cooling range: -10 to 122°F with optional Low Ambient Kit.

² Main heating range: 4 to 68°F.

| ELECTRICAL DATA | | INDIVIDUAL OUTDOOR UNITS | | | | | |
|-------------------|--|--------------------------|---------|-----------|-----------|-----------|-----------|
| Model No. | | VRB072L4 | | VRB096L4 | | VRB120L4 | |
| | | 208/230V | 460V | 208/230V | 460V | 208/230V | 460V |
| | Line voltage data - 60 hz - 3 phase | | | | | | |
| | ¹ Maximum Overcurrent Protection (amps) | 70 | 30 | 80 | 40 | 90 | 45 |
| | ² Minimum circuit ampacity | 59.5 | 27.5 | 75 | 39.5 | 82.6 | 43 |
| Compressor | No. of compressors | 1 | 1 | 2 | 2 | 2 | 2 |
| | Rated load amps | 42.7 | 19.4 | 29.6/29.6 | 15.5/15.5 | 33/33 | 17/17 |
| Outdoor Fan Motor | Motor type | DC | DC | DC | DC | DC | DC |
| | No. of motors | 2 | 2 | 2 | 2 | 2 | 2 |
| | Full load amps | 2.6/2.9 | 1.4/1.6 | 4.0/4.3 | 2.2/2.4 | 4.0/4.3 | 2.2/2.4 |
| | Input - W | 680/780 | 750/780 | 1200/1200 | 1200/1200 | 1200/1200 | 1200/1200 |
| | Output - W | 580/660 | 640/720 | 900/940 | 900/940 | 900/940 | 900/940 |

NOTES:

In multiple module systems each outdoor unit requires a separate electrical connection:

Incoming voltage must not be above or below these voltage ranges:

208/230V - 182V minimum, 269V maximum

460V - 404V minimum, 530V maximum

¹ HACR type circuit breaker or fuse.

² Refer to National or Canadian Electrical Code manual to determine wire, fuse and disconnect size requirements.

AHRI RATINGS

SINGLE MODULE SYSTEMS - 6 TON | 8 TON

| Model No. | Nominal Size - Tons | VRB072L4 | | | VRB096L4 | | | |
|---------------------------|---------------------------|---------------------------|------------|-----------------------------|-----------|------------|-----------------------------|---------|
| | | 6 | | | 8 | | | |
| ¹ AHRI Ratings | Indoor System Type | Ducted | Non-Ducted | Mixed Ducted and Non-Ducted | Ducted | Non-Ducted | Mixed Ducted and Non-Ducted | |
| 208/230V - 3ph | Cooling - Btuh | 69,000 | 69,000 | 69,000 | 92,000 | 92,000 | 92,000 | |
| | High Temp. Heating - Btuh | 77,000 | 77,000 | 77,000 | 103,000 | 103,000 | 103,000 | |
| | Low Temp. Heating - Btuh | 66,000 | 66,000 | 66,000 | 86,000 | 86,000 | 86,000 | |
| | EER | 13.00 | 14.80 | 13.90 | 12.70 | 13.20 | 12.95 | |
| | IEER | 22.60 | 25.40 | 24.00 | 23.70 | 26.60 | 25.15 | |
| | ² SCHE | 27.80 | 32.80 | 30.30 | 28.80 | 33.90 | 31.35 | |
| | Heating COP 47°F (high) | 3.84 | 4.29 | 4.06 | 3.89 | 4.12 | 4.00 | |
| | Heating COP 17°F (low) | 2.45 | 2.58 | 2.51 | 2.62 | 2.70 | 2.66 | |
| | AHRI Reference Number | 205818837 | 205818836 | 205818930 | 205818845 | 205818844 | 205818934 | |
| | 460V- 3ph | Cooling - Btuh | 69,000 | 69,000 | 69,000 | 92,000 | 92,000 | 92,000 |
| | | High Temp. Heating - Btuh | 77,000 | 77,000 | 77,000 | 103,000 | 103,000 | 103,000 |
| Low Temp. Heating - Btuh | | 66,000 | 66,000 | 66,000 | 86,000 | 86,000 | 86,000 | |
| EER | | 13.00 | 14.80 | 13.90 | 12.70 | 13.20 | 12.95 | |
| IEER | | 22.60 | 25.40 | 24.00 | 23.70 | 26.60 | 25.15 | |
| ² SCHE | | 27.80 | 32.80 | 30.30 | 28.80 | 33.90 | 31.35 | |
| Heating COP 47°F (high) | | 3.84 | 4.29 | 4.06 | 3.89 | 4.12 | 4.00 | |
| Heating COP 17°F (low) | | 2.45 | 2.58 | 2.51 | 2.62 | 2.70 | 2.66 | |
| AHRI Reference Number | | 205818839 | 205818838 | 205818931 | 205818847 | 205818846 | 205818935 | |

NOTE - Per AHRI, the certified ratings for VRF systems are valid for all combinations of indoor units with the specific outdoor units listed above and in the AHRI Directory of Certified Equipment. Please visit www.ahridirectory.org for further details and latest updates.

¹ Ratings are AHRI certified to AHRI Standard 1230-2014;

• Cooling Ratings - 80°F dry bulb/67°F wet bulb entering indoor coil air and 95°F dry bulb/75°F wet bulb outdoor air temperature.

• High Temperature Heating Ratings - 70°F dry bulb/60°F wet bulb entering indoor coil air and 47°F dry bulb/43°F wet bulb outdoor air temperature.

• Low Temperature Heating Ratings - 70°F dry bulb/60°F wet bulb entering indoor coil air and 17°F dry bulb/15°F wet bulb outdoor air temperature.

² SCHE - Simultaneous Heating and Cooling Efficiency.

AHRI RATINGS

SINGLE MODULE SYSTEMS - 10 TON

| Model No. | Nominal Size - Tons | VRB120L4 | | | |
|---------------------------|---------------------------|---------------------------|------------|-----------------------------|---------|
| | | 10 | | | |
| ¹ AHRI Ratings | Indoor System Type | Ducted | Non-Ducted | Mixed Ducted and Non-Ducted | |
| 208/230V - 3ph | Cooling - Btuh | 115,000 | 115,000 | 115,000 | |
| | High Temp. Heating - Btuh | 129,000 | 129,000 | 129,000 | |
| | Low Temp. Heating - Btuh | 110,000 | 110,000 | 110,000 | |
| | EER | 12.30 | 12.20 | 12.25 | |
| | IEER | 23.10 | 24.10 | 23.60 | |
| | ² SCHE | 30.80 | 32.80 | 31.80 | |
| | Heating COP 47°F (high) | 3.79 | 3.72 | 3.75 | |
| | Heating COP 17°F (low) | 2.44 | 2.35 | 2.39 | |
| | AHRI Reference Number | 205818853 | 205818852 | 205818938 | |
| | 460V- 3ph | Cooling - Btuh | 115,000 | 115,000 | 115,000 |
| | | High Temp. Heating - Btuh | 129,000 | 129,000 | 129,000 |
| Low Temp. Heating - Btuh | | 110,000 | 110,000 | 110,000 | |
| EER | | 12.30 | 12.20 | 12.25 | |
| IEER | | 23.10 | 24.10 | 23.60 | |
| ² SCHE | | 30.80 | 32.80 | 31.80 | |
| Heating COP 47°F (high) | | 3.79 | 3.72 | 3.75 | |
| Heating COP 17°F (low) | | 2.44 | 2.35 | 2.39 | |
| AHRI Reference Number | | 205818855 | 205818854 | 205818939 | |

NOTE - Per AHRI, the certified ratings for VRF systems are valid for all combinations of indoor units with the specific outdoor units listed above and in the AHRI Directory of Certified Equipment. Please visit www.ahridirectory.org for further details and latest updates.

¹ Ratings are AHRI certified to AHRI Standard 1230-2014;

• Cooling Ratings - 80°F dry bulb/67°F wet bulb entering indoor coil air and 95°F dry bulb/75°F wet bulb outdoor air temperature.

• High Temperature Heating Ratings - 70°F dry bulb/60°F wet bulb entering indoor coil air and 47°F dry bulb/43°F wet bulb outdoor air temperature.

• Low Temperature Heating Ratings - 70°F dry bulb/60°F wet bulb entering indoor coil air and 17°F dry bulb/15°F wet bulb outdoor air temperature.

² SCHE - Simultaneous Heating and Cooling Efficiency.

AHRI RATINGS TWO MODULE SYSTEMS - 12 TON | 14 TON

| Model No. | | VRB144L4 | | | VRB168L4 | | | |
|---------------------------|---------------------------|----------------|------------|-----------------------------|-----------------------------|------------|-----------------------------|-----------|
| Outdoor Unit Combinations | | (2) VRB072L4 | | | (1) VRB096L4 + (1) VRB072L4 | | | |
| Nominal Size - Tons | | 12 | | | 14 | | | |
| ¹ AHRI Ratings | Indoor System Type | Ducted | Non-Ducted | Mixed Ducted and Non-Ducted | Ducted | Non-Ducted | Mixed Ducted and Non-Ducted | |
| 208/230V - 3ph | Cooling - Btuh | 138,000 | 138,000 | 138,000 | 160,000 | 160,000 | 160,000 | |
| | High Temp. Heating - Btuh | 154,000 | 154,000 | 154,000 | 180,000 | 180,000 | 180,000 | |
| | Low Temp. Heating - Btuh | 131,000 | 131,000 | 131,000 | 154,000 | 154,000 | 154,000 | |
| | EER | 11.80 | 12.20 | 12.00 | 11.60 | 11.90 | 11.75 | |
| | IEER | 22.90 | 24.00 | 23.45 | 22.70 | 23.10 | 22.90 | |
| | ² SCHE | 28.10 | 32.10 | 30.10 | 30.20 | 32.40 | 31.30 | |
| | Heating COP 47°F (high) | 3.63 | 3.91 | 3.77 | 3.70 | 3.98 | 3.84 | |
| | Heating COP 17°F (low) | 2.38 | 2.54 | 2.46 | 2.51 | 2.60 | 2.55 | |
| | AHRI Reference Number | | 205818861 | 205818860 | 205818942 | 205818869 | 205818868 | 205818946 |
| | 460V- 3ph | Cooling - Btuh | 138,000 | 138,000 | 138,000 | 160,000 | 160,000 | 160,000 |
| High Temp. Heating - Btuh | | 154,000 | 154,000 | 154,000 | 180,000 | 180,000 | 180,000 | |
| Low Temp. Heating - Btuh | | 131,000 | 131,000 | 131,000 | 154,000 | 154,000 | 154,000 | |
| EER | | 11.80 | 12.20 | 12.00 | 11.60 | 11.90 | 11.75 | |
| IEER | | 22.90 | 24.00 | 23.45 | 22.70 | 23.10 | 22.90 | |
| ² SCHE | | 28.10 | 32.10 | 30.10 | 30.20 | 32.40 | 31.30 | |
| Heating COP 47°F (high) | | 3.63 | 3.91 | 3.77 | 3.70 | 3.98 | 3.84 | |
| Heating COP 17°F (low) | | 2.38 | 2.54 | 2.46 | 2.51 | 2.60 | 2.55 | |
| AHRI Reference Number | | | 205818863 | 205818862 | 205818943 | 205818871 | 205818870 | 205818947 |

NOTE - Per AHRI, the certified ratings for VRF systems are valid for all combinations of indoor units with the specific outdoor units listed above and in the AHRI Directory of Certified Equipment. Please visit www.ahridirectory.org for further details and latest updates.

¹ Ratings are AHRI certified to AHRI Standard 1230-2014;

• Cooling Ratings - 80°F dry bulb/67°F wet bulb entering indoor coil air and 95°F dry bulb/75°F wet bulb outdoor air temperature.

• High Temperature Heating Ratings - 70°F dry bulb/60°F wet bulb entering indoor coil air and 47°F dry bulb/43°F wet bulb outdoor air temperature.

• Low Temperature Heating Ratings - 70°F dry bulb/60°F wet bulb entering indoor coil air and 17°F dry bulb/15°F wet bulb outdoor air temperature.

² SCHE - Simultaneous Heating and Cooling Efficiency.

AHRI RATINGS TWO MODULE SYSTEMS - 16 TON | 18 TON

| Model No. | | VRB192L4 | | | VRB216L4 | | | |
|---------------------------|---------------------------|-----------------------------|------------|-----------------------------|-----------------------------|------------|-----------------------------|-----------|
| Outdoor Unit Combinations | | (1) VRB120L4 + (1) VRB072L4 | | | (1) VRB120L4 + (1) VRB096L4 | | | |
| Nominal Size - Tons | | 16 | | | 18 | | | |
| ¹ AHRI Ratings | Indoor System Type | Ducted | Non-Ducted | Mixed Ducted and Non-Ducted | Ducted | Non-Ducted | Mixed Ducted and Non-Ducted | |
| 208/230V - 3ph | Cooling - Btuh | 184,000 | 184,000 | 184,000 | 206,000 | 206,000 | 206,000 | |
| | High Temp. Heating - Btuh | 206,000 | 206,000 | 206,000 | 232,000 | 232,000 | 232,000 | |
| | Low Temp. Heating - Btuh | 176,000 | 176,000 | 176,000 | 198,000 | 198,000 | 198,000 | |
| | EER | 11.30 | 11.60 | 11.45 | 11.70 | 12.30 | 12.00 | |
| | IEER | 22.10 | 22.30 | 22.20 | 21.80 | 23.40 | 22.60 | |
| | ² SCHE | 30.70 | 32.50 | 31.60 | 29.90 | 32.70 | 31.30 | |
| | Heating COP 47°F (high) | 3.65 | 3.92 | 3.78 | 3.66 | 3.91 | 3.78 | |
| | Heating COP 17°F (low) | 2.44 | 2.59 | 2.51 | 2.49 | 2.61 | 2.55 | |
| | AHRI Reference Number | | 205818877 | 205818876 | 205818950 | 205818885 | 205818884 | 205818954 |
| | 460V- 3ph | Cooling - Btuh | 184,000 | 184,000 | 184,000 | 206,000 | 206,000 | 206,000 |
| High Temp. Heating - Btuh | | 206,000 | 206,000 | 206,000 | 232,000 | 232,000 | 232,000 | |
| Low Temp. Heating - Btuh | | 176,000 | 176,000 | 176,000 | 198,000 | 198,000 | 198,000 | |
| EER | | 11.30 | 11.60 | 11.45 | 11.70 | 12.30 | 12.00 | |
| IEER | | 22.10 | 22.30 | 22.20 | 21.80 | 23.40 | 22.60 | |
| ² SCHE | | 30.70 | 32.50 | 31.60 | 29.90 | 32.70 | 31.30 | |
| Heating COP 47°F (high) | | 3.65 | 3.92 | 3.78 | 3.66 | 3.91 | 3.78 | |
| Heating COP 17°F (low) | | 2.44 | 2.59 | 2.51 | 2.49 | 2.61 | 2.55 | |
| AHRI Reference Number | | | 205818879 | 205818878 | 205818951 | 205818887 | 205818886 | 205818955 |

NOTE - Per AHRI, the certified ratings for VRF systems are valid for all combinations of indoor units with the specific outdoor units listed above and in the AHRI Directory of Certified Equipment. Please visit www.ahridirectory.org for further details and latest updates.

¹ Ratings are AHRI certified to AHRI Standard 1230-2014;

• Cooling Ratings - 80°F dry bulb/67°F wet bulb entering indoor coil air and 95°F dry bulb/75°F wet bulb outdoor air temperature.

• High Temperature Heating Ratings - 70°F dry bulb/60°F wet bulb entering indoor coil air and 47°F dry bulb/43°F wet bulb outdoor air temperature.

• Low Temperature Heating Ratings - 70°F dry bulb/60°F wet bulb entering indoor coil air and 17°F dry bulb/15°F wet bulb outdoor air temperature.

² SCHE - Simultaneous Heating and Cooling Efficiency.

AHRI RATINGS

TWO MODULE SYSTEMS - 22 TON

| Model No. | | VRB240L4 | | |
|---------------------------|---------------------------|----------------|------------|-----------------------------|
| Outdoor Unit Combinations | | (2) VRB120L4 | | |
| Nominal Size - Tons | | 22 | | |
| 1 AHRI Ratings | Indoor System Type | Ducted | Non-Ducted | Mixed Ducted and Non-Ducted |
| | 208/230V - 3ph | Cooling - Btuh | 230,000 | 230,000 |
| High Temp. Heating - Btuh | | 258,000 | 258,000 | 258,000 |
| Low Temp. Heating - Btuh | | 218,000 | 218,000 | 218,000 |
| EER | | 11.40 | 11.40 | 11.40 |
| IEER | | 22.30 | 23.30 | 22.80 |
| ² SCHE | | 28.60 | 31.40 | 30.00 |
| Heating COP 47°F (high) | | 3.63 | 3.74 | 3.68 |
| Heating COP 17°F (low) | | 2.46 | 2.40 | 2.43 |
| AHRI Reference Number | | 205818893 | 205818892 | 205818958 |
| 460V- 3ph | | Cooling - Btuh | 230,000 | 230,000 |
| | High Temp. Heating - Btuh | 258,000 | 258,000 | 258,000 |
| | Low Temp. Heating - Btuh | 218,000 | 218,000 | 218,000 |
| | EER | 11.40 | 11.40 | 11.40 |
| | IEER | 22.30 | 23.30 | 22.80 |
| | ² SCHE | 28.60 | 31.40 | 30.00 |
| | Heating COP 47°F (high) | 3.63 | 3.74 | 3.68 |
| | Heating COP 17°F (low) | 2.46 | 2.40 | 2.43 |
| | AHRI Reference Number | 205818895 | 205818894 | 205818959 |

NOTE - Per AHRI, the certified ratings for VRF systems are valid for all combinations of indoor units with the specific outdoor units listed above and in the AHRI Directory of Certified Equipment. Please visit www.ahridirectory.org for further details and latest updates.

¹ Ratings are AHRI certified to AHRI Standard 1230-2014;

• Cooling Ratings - 80°F dry bulb/67°F wet bulb entering indoor coil air and 95°F dry bulb/75°F wet bulb outdoor air temperature.

• High Temperature Heating Ratings - 70°F dry bulb/60°F wet bulb entering indoor coil air and 47°F dry bulb/43°F wet bulb outdoor air temperature.

• Low Temperature Heating Ratings - 70°F dry bulb/60°F wet bulb entering indoor coil air and 17°F dry bulb/15°F wet bulb outdoor air temperature.

² SCHE - Simultaneous Heating and Cooling Efficiency.

AHRI RATINGS

THREE MODULE SYSTEMS - 22 TON | 24 TON

| Model No. | | VRB264L4 | | | VRB288L4 | | |
|---------------------------|---------------------------|-----------------------------|------------|-----------------------------|--|------------|-----------------------------|
| Outdoor Unit Combinations | | (1) VRB120L4 + (2) VRB072L4 | | | (1) VRB120L4 + (1) VRB096L4 + (1) VRB072L4 | | |
| Nominal Size - Tons | | 22 | | | 24 | | |
| 1 AHRI Ratings | Indoor System Type | Ducted | Non-Ducted | Mixed Ducted and Non-Ducted | Ducted | Non-Ducted | Mixed Ducted and Non-Ducted |
| | 208/230V - 3ph | Cooling - Btuh | 252,000 | 252,000 | 252,000 | 276,000 | 276,000 |
| High Temp. Heating - Btuh | | 282,000 | 282,000 | 282,000 | 308,000 | 308,000 | 308,000 |
| Low Temp. Heating - Btuh | | 240,000 | 240,000 | 240,000 | 262,000 | 262,000 | 262,000 |
| EER | | 11.40 | 11.70 | 11.55 | 10.90 | 11.30 | 11.10 |
| IEER | | 20.80 | 22.90 | 21.85 | 20.80 | 22.10 | 21.45 |
| ² SCHE | | 28.20 | 31.60 | 29.90 | 28.30 | 31.10 | 29.70 |
| Heating COP 47°F (high) | | 3.77 | 3.81 | 3.79 | 3.72 | 3.70 | 3.71 |
| Heating COP 17°F (low) | | 2.52 | 2.48 | 2.50 | 2.53 | 2.42 | 2.47 |
| AHRI Reference Number | | 205818901 | 205818900 | 205818962 | 205818909 | 205818908 | 205818966 |
| 460V- 3ph | | Cooling - Btuh | 252,000 | 252,000 | 252,000 | 276,000 | 276,000 |
| | High Temp. Heating - Btuh | 282,000 | 282,000 | 282,000 | 308,000 | 308,000 | 308,000 |
| | Low Temp. Heating - Btuh | 240,000 | 240,000 | 240,000 | 262,000 | 262,000 | 262,000 |
| | EER | 11.40 | 11.70 | 11.55 | 10.90 | 11.30 | 11.10 |
| | IEER | 20.80 | 22.90 | 21.85 | 20.80 | 22.10 | 21.45 |
| | ² SCHE | 28.20 | 31.60 | 29.90 | 28.30 | 31.10 | 29.70 |
| | Heating COP 47°F (high) | 3.77 | 3.81 | 3.79 | 3.72 | 3.70 | 3.71 |
| | Heating COP 17°F (low) | 2.52 | 2.48 | 2.50 | 2.53 | 2.42 | 2.47 |
| | AHRI Reference Number | 205818903 | 205818902 | 205818963 | 205818911 | 205818910 | 205818967 |

NOTE - Per AHRI, the certified ratings for VRF systems are valid for all combinations of indoor units with the specific outdoor units listed above and in the AHRI Directory of Certified Equipment. Please visit www.ahridirectory.org for further details and latest updates.

¹ Ratings are AHRI certified to AHRI Standard 1230-2014;

• Cooling Ratings - 80°F dry bulb/67°F wet bulb entering indoor coil air and 95°F dry bulb/75°F wet bulb outdoor air temperature.

• High Temperature Heating Ratings - 70°F dry bulb/60°F wet bulb entering indoor coil air and 47°F dry bulb/43°F wet bulb outdoor air temperature.

• Low Temperature Heating Ratings - 70°F dry bulb/60°F wet bulb entering indoor coil air and 17°F dry bulb/15°F wet bulb outdoor air temperature.

² SCHE - Simultaneous Heating and Cooling Efficiency.

AHRI RATINGS THREE MODULE SYSTEMS - 26 TON | 28 TON

| Model No. | | VRB312L4 | | | VRB336L4 | | | |
|---------------------------|---------------------------|-----------------------------|------------|-----------------------------|---------------------------|------------|-----------------------------|-----------|
| Outdoor Unit Combinations | | (2) VRB120L4 + (1) VRB072L4 | | | (2) VRB120 + (1) VRB096L4 | | | |
| Nominal Size - Tons | | 26 | | | 28 | | | |
| ¹ AHRI Ratings | Indoor System Type | Ducted | Non-Ducted | Mixed Ducted and Non-Ducted | Ducted | Non-Ducted | Mixed Ducted and Non-Ducted | |
| | 208/230V - 3ph | Cooling - Btuh | 298,000 | 298,000 | 298,000 | 320,000 | 320,000 | 320,000 |
| High Temp. Heating - Btuh | | 334,000 | 334,000 | 334,000 | 360,000 | 360,000 | 360,000 | |
| Low Temp. Heating - Btuh | | 284,000 | 284,000 | 284,000 | 306,000 | 306,000 | 306,000 | |
| EER | | 10.40 | 10.90 | 10.65 | 10.60 | 10.80 | 10.70 | |
| IEER | | 20.00 | 21.60 | 20.80 | 20.00 | 21.30 | 20.65 | |
| ² SCHE | | 27.20 | 29.50 | 28.35 | 26.60 | 28.00 | 27.30 | |
| Heating COP 47°F (high) | | 3.66 | 3.59 | 3.62 | 3.65 | 3.48 | 3.56 | |
| Heating COP 17°F (low) | | 2.46 | 2.30 | 2.38 | 2.47 | 2.33 | 2.40 | |
| AHRI Reference Number | | | 205818917 | 205818916 | 205818970 | 205818925 | 205818924 | 205818974 |
| 460V- 3ph | | Cooling - Btuh | 298,000 | 298,000 | 298,000 | 320,000 | 320,000 | 320,000 |
| | High Temp. Heating - Btuh | 334,000 | 334,000 | 334,000 | 360,000 | 360,000 | 360,000 | |
| | Low Temp. Heating - Btuh | 284,000 | 284,000 | 284,000 | 306,000 | 306,000 | 306,000 | |
| | EER | 10.40 | 10.90 | 10.65 | 10.40 | 10.60 | 10.50 | |
| | IEER | 20.00 | 21.60 | 20.80 | 20.00 | 21.30 | 20.65 | |
| | ² SCHE | 27.20 | 29.50 | 28.35 | 26.60 | 28.00 | 27.30 | |
| | Heating COP 47°F (high) | 3.66 | 3.59 | 3.62 | 3.65 | 3.48 | 3.56 | |
| | Heating COP 17°F (low) | 2.46 | 2.30 | 2.38 | 2.47 | 2.33 | 2.40 | |
| | AHRI Reference Number | | 205818919 | 205818918 | 205818971 | 205818927 | 205818926 | 205818975 |

NOTE - Per AHRI, the certified ratings for VRF systems are valid for all combinations of indoor units with the specific outdoor units listed above and in the AHRI Directory of Certified Equipment. Please visit www.ahridirectory.org for further details and latest updates.

¹ Ratings are AHRI certified to AHRI Standard 1230-2014;

• Cooling Ratings - 80°F dry bulb/67°F wet bulb entering indoor coil air and 95°F dry bulb/75°F wet bulb outdoor air temperature.

• High Temperature Heating Ratings - 70°F dry bulb/60°F wet bulb entering indoor coil air and 47°F dry bulb/43°F wet bulb outdoor air temperature.

• Low Temperature Heating Ratings - 70°F dry bulb/60°F wet bulb entering indoor coil air and 17°F dry bulb/15°F wet bulb outdoor air temperature.

² SCHE - Simultaneous Heating and Cooling Efficiency.

AHRI RATINGS THREE MODULE SYSTEMS - 30 TON

| Model No. | | VRB360L4 | | | |
|---------------------------|---------------------------|----------------|------------|-----------------------------|-----------|
| Outdoor Unit Combinations | | (3) VRB120L4 | | | |
| Nominal Size - Tons | | 30 | | | |
| ¹ AHRI Ratings | Indoor System Type | Ducted | Non-Ducted | Mixed Ducted and Non-Ducted | |
| | 208/230V - 3ph | Cooling - Btuh | 344,000 | 344,000 | 344,000 |
| High Temp. Heating - Btuh | | 380,000 | 380,000 | 380,000 | |
| Low Temp. Heating - Btuh | | 324,000 | 324,000 | 324,000 | |
| EER | | 10.30 | 10.30 | 10.30 | |
| IEER | | 19.30 | 20.30 | 19.80 | |
| ² SCHE | | 26.40 | 26.70 | 26.55 | |
| Heating COP 47°F (high) | | 3.70 | 3.40 | 3.55 | |
| Heating COP 17°F (low) | | 2.38 | 2.23 | 2.30 | |
| AHRI Reference Number | | | 205818983 | 205818982 | 205818984 |
| 460V- 3ph | | Cooling - Btuh | 344,000 | 344,000 | 344,000 |
| | High Temp. Heating - Btuh | 380,000 | 380,000 | 380,000 | |
| | Low Temp. Heating - Btuh | 324,000 | 324,000 | 324,000 | |
| | EER | 10.30 | 10.30 | 10.30 | |
| | IEER | 19.30 | 20.30 | 19.80 | |
| | ² SCHE | 26.40 | 26.70 | 26.55 | |
| | Heating COP 47°F (high) | 3.70 | 3.40 | 3.55 | |
| | Heating COP 17°F (low) | 2.38 | 2.23 | 2.30 | |
| | AHRI Reference Number | | 205818986 | 205818985 | 205818987 |

NOTE - Per AHRI, the certified ratings for VRF systems are valid for all combinations of indoor units with the specific outdoor units listed above and in the AHRI Directory of Certified Equipment. Please visit www.ahridirectory.org for further details and latest updates.

¹ Ratings are AHRI certified to AHRI Standard 1230-2014;

• Cooling Ratings - 80°F dry bulb/67°F wet bulb entering indoor coil air and 95°F dry bulb/75°F wet bulb outdoor air temperature.

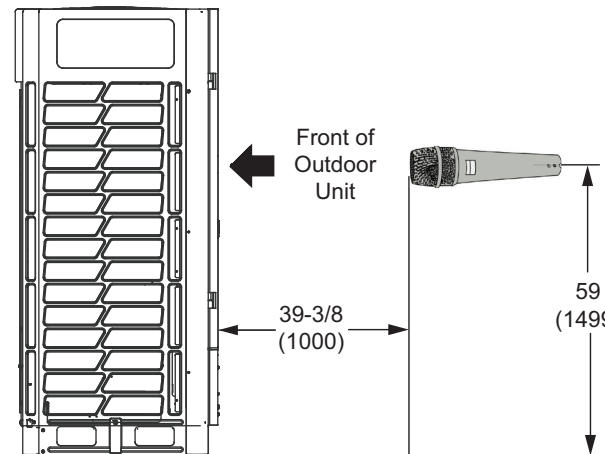
• High Temperature Heating Ratings - 70°F dry bulb/60°F wet bulb entering indoor coil air and 47°F dry bulb/43°F wet bulb outdoor air temperature.

• Low Temperature Heating Ratings - 70°F dry bulb/60°F wet bulb entering indoor coil air and 17°F dry bulb/15°F wet bulb outdoor air temperature.

² SCHE - Simultaneous Heating and Cooling Efficiency.

SOUND DATA

SOUND LEVELS



NOTES:

- Data is valid at free field condition
- Data is valid at nominal operating condition
- Sound level will vary depending on a range of factors such as the construction (acoustic absorption coefficient) of particular room in which the equipment is installed
- Sound level can be increased in static pressure mode or used air guide.

| Model | Sound Pressure Levels (dBA) | |
|-------|-----------------------------|------|
| | 208/230V | 460V |
| 072 | 62 | 65 |
| 096 | 65 | 65 |
| 120 | 67 | 67 |
| 144 | 66 | 69 |
| 168 | 67 | 69 |
| 192 | 69 | 70 |
| 216 | 70 | 70 |
| 240 | 71 | 71 |
| 264 | 70 | 71 |
| 288 | 70 | 71 |
| 312 | 71 | 72 |
| 336 | 72 | 72 |
| 360 | 72 | 72 |

SOUND DATA

VRB072L4 SINGLE MODULE

| Unit Side | Mode | Voltage | Octave Band Sound Power Levels dBA, re 10 ⁻¹² Watts | | | | | | | | | Sound Rating Number dBA |
|-----------|---------|---------|--|------|------|------|------|------|------|------|------|-------------------------|
| | | | Center Frequency - HZ | | | | | | | | | |
| | | | 31.5 | 63 | 125 | 250 | 500 | 1000 | 2000 | 4000 | 8000 | |
| 1 | Cooling | 230V | 66.0 | 70.5 | 71.9 | 64.1 | 58.3 | 54.7 | 48.8 | 43.7 | 36.9 | 61.6 |
| 2 | Cooling | 230V | 65.8 | 71.8 | 69.7 | 65.6 | 62.8 | 58.2 | 55.1 | 49.6 | 44.6 | 64.6 |
| 3 | Cooling | 230V | 69.2 | 73.8 | 70.2 | 66.5 | 64.6 | 59.9 | 57.4 | 51.6 | 45.9 | 66.0 |
| 4 | Cooling | 230V | 65.2 | 68.7 | 72.8 | 66.5 | 61.1 | 57.7 | 52.4 | 46.2 | 40.0 | 64.0 |
| 1 | Heating | 230V | 71.5 | 71.8 | 73.2 | 65.1 | 61.6 | 57.5 | 52.9 | 46.0 | 38.8 | 63.9 |
| 2 | Heating | 230V | 70.9 | 72.9 | 70.8 | 66.8 | 64.4 | 60.1 | 58.8 | 52.1 | 44.4 | 66.6 |
| 3 | Heating | 230V | 72.8 | 75.2 | 71.7 | 66.9 | 65.8 | 61.6 | 59.7 | 52.9 | 46.5 | 67.6 |
| 4 | Heating | 230V | 70.6 | 69.8 | 73.4 | 66.3 | 63.2 | 59.2 | 55.2 | 50.3 | 40.5 | 65.3 |
| 1 | Cooling | 460V | 70.2 | 69.9 | 71.5 | 63.0 | 58.7 | 55.2 | 50.7 | 43.5 | 40.9 | 61.6 |
| 2 | Cooling | 460V | 69.0 | 67.5 | 69.1 | 65.8 | 62.7 | 59.1 | 57.9 | 52.1 | 45.7 | 65.4 |
| 3 | Cooling | 460V | 70.2 | 71.6 | 69.5 | 65.4 | 63.5 | 60.6 | 61.5 | 53.1 | 49.3 | 67.0 |
| 4 | Cooling | 460V | 71.1 | 68.0 | 71.4 | 65.3 | 61.4 | 57.8 | 53.7 | 51.3 | 46.5 | 64.0 |
| 1 | Heating | 460V | 70.5 | 72.7 | 72.7 | 65.1 | 61.2 | 56.9 | 51.8 | 45.4 | 38.1 | 63.5 |
| 2 | Heating | 460V | 69.4 | 71.3 | 72.8 | 67.4 | 64.5 | 62.4 | 59.3 | 55.9 | 44.8 | 67.8 |
| 3 | Heating | 460V | 72.0 | 74.7 | 70.1 | 69.2 | 65.2 | 62.5 | 62.8 | 55.9 | 46.2 | 68.8 |
| 4 | Heating | 460V | 68.4 | 70.2 | 71.6 | 65.2 | 63.3 | 59.7 | 55.0 | 49.5 | 42.0 | 65.1 |

NOTES - The octave sound power data does not include tonal corrections. Sound Rating Number tested according to AHRI Standard 370 (includes pure tone penalty).
 Sound Rating Number is the overall A-Weighted Sound Power Level, (LWA), dB (100 Hz to 10,000 Hz).
 31.5 and 63HZ band is not certified and is usually lower than reported.

VRB096L4 SINGLE MODULE

| Unit Side | Mode | Voltage | Octave Band Sound Power Levels dBA, re 10 ⁻¹² Watts | | | | | | | | | Sound Rating Number dBA |
|-----------|---------|---------|--|------|------|------|------|------|------|------|------|-------------------------|
| | | | Center Frequency - HZ | | | | | | | | | |
| | | | 31.5 | 63 | 125 | 250 | 500 | 1000 | 2000 | 4000 | 8000 | |
| 1 | Cooling | 230V | 70.6 | 71.8 | 67.0 | 61.3 | 59.2 | 55.2 | 48.4 | 41.4 | 37.2 | 60.4 |
| 2 | Cooling | 230V | 72.1 | 74.0 | 68.1 | 62.5 | 61.0 | 58.3 | 54.2 | 48.3 | 46.4 | 63.3 |
| 3 | Cooling | 230V | 71.5 | 74.6 | 66.4 | 63.8 | 63.0 | 60.3 | 56.2 | 51.7 | 47.9 | 65.1 |
| 4 | Cooling | 230V | 70.7 | 71.8 | 69.8 | 63.3 | 60.9 | 57.7 | 51.3 | 44.6 | 40.9 | 62.6 |
| 1 | Heating | 230V | 76.2 | 78.9 | 68.8 | 65.1 | 63.6 | 59.3 | 53.1 | 47.0 | 41.4 | 64.6 |
| 2 | Heating | 230V | 72.2 | 71.7 | 69.2 | 65.5 | 64.7 | 62.1 | 58.2 | 53.3 | 46.8 | 66.8 |
| 3 | Heating | 230V | 78.0 | 82.0 | 69.9 | 67.1 | 67.0 | 64.2 | 60.4 | 57.1 | 48.3 | 69.1 |
| 4 | Heating | 230V | 75.9 | 78.7 | 67.4 | 66.7 | 64.2 | 60.8 | 54.5 | 47.8 | 41.8 | 65.6 |
| 1 | Cooling | 460V | 73.6 | 76.5 | 68.5 | 62.4 | 59.5 | 55.5 | 49.3 | 42.8 | 37.0 | 61.1 |
| 2 | Cooling | 460V | 71.0 | 72.3 | 66.9 | 62.3 | 61.2 | 58.4 | 53.9 | 49.5 | 43.0 | 63.2 |
| 3 | Cooling | 460V | 73.9 | 77.7 | 66.7 | 64.4 | 63.1 | 60.3 | 55.8 | 52.4 | 46.4 | 65.2 |
| 4 | Cooling | 460V | 72.1 | 74.5 | 70.7 | 62.8 | 61.0 | 57.6 | 51.2 | 45.6 | 41.3 | 62.8 |
| 1 | Heating | 460V | 69.8 | 69.6 | 73.8 | 64.5 | 62.7 | 58.6 | 51.6 | 46.0 | 39.7 | 64.1 |
| 2 | Heating | 460V | 72.5 | 73.1 | 70.2 | 65.1 | 64.3 | 61.3 | 57.2 | 54.4 | 47.5 | 66.4 |
| 3 | Heating | 460V | 70.3 | 71.9 | 70.4 | 67.4 | 67.3 | 63.4 | 59.5 | 57.6 | 49.0 | 68.9 |
| 4 | Heating | 460V | 72.7 | 72.4 | 71.8 | 65.2 | 63.6 | 60.1 | 54.0 | 50.7 | 43.9 | 65.2 |

NOTES - The octave sound power data does not include tonal corrections. Sound Rating Number tested according to AHRI Standard 370 (includes pure tone penalty).
 Sound Rating Number is the overall A-Weighted Sound Power Level, (LWA), dB (100 Hz to 10,000 Hz).
 31.5 and 63HZ band is not certified and is usually lower than reported.

SOUND DATA

VRB120L4 SINGLE MODULE

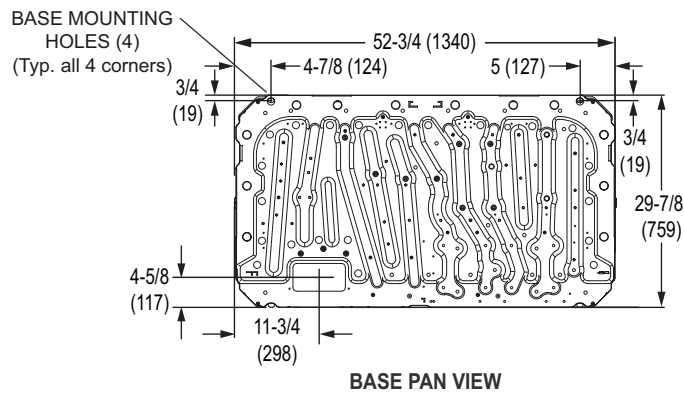
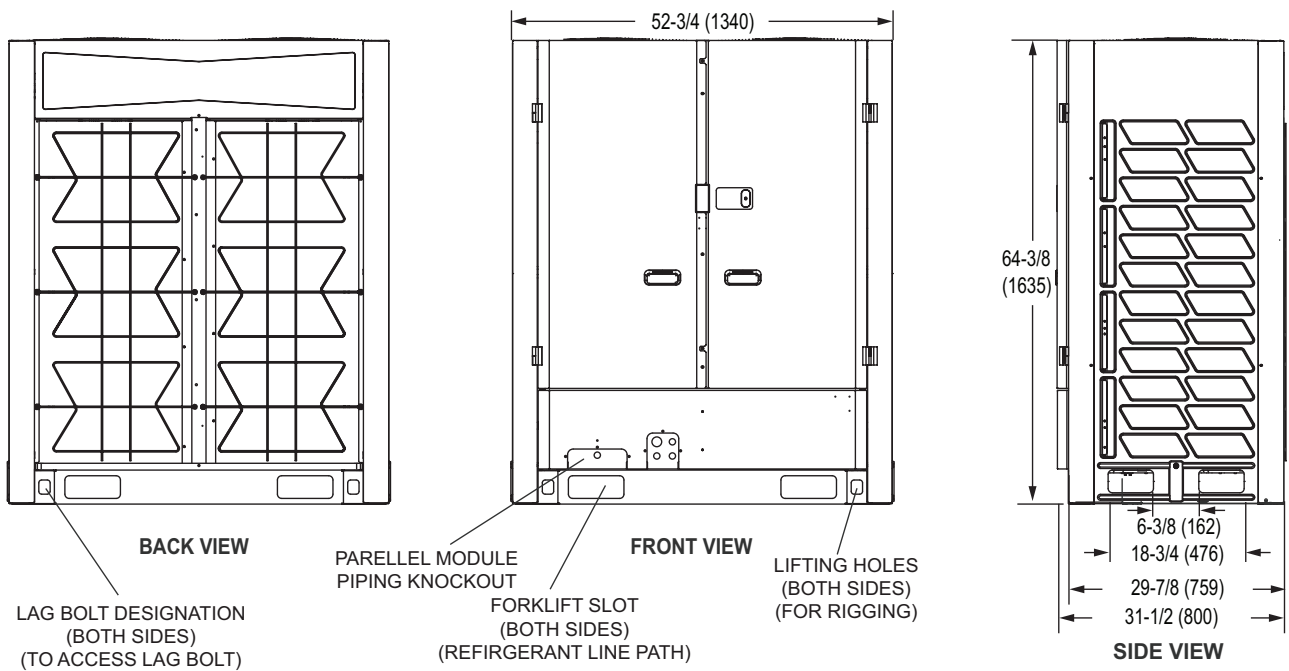
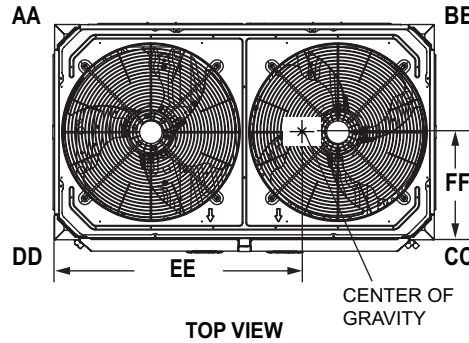
| Unit Side | Mode | Voltage | Octave Band Sound Power Levels dBA, re 10 ⁻¹² Watts Center Frequency - HZ | | | | | | | | | Sound Rating Number dBA |
|-----------|---------|---------|---|------|------|------|------|------|------|------|------|-------------------------|
| | | | 31.5 | 63 | 125 | 250 | 500 | 1000 | 2000 | 4000 | 8000 | |
| 1 | Cooling | 230V | 68.8 | 67.1 | 72.9 | 62.8 | 60.8 | 56.6 | 50.4 | 43.5 | 37.9 | 62.5 |
| 2 | Cooling | 230V | 68.2 | 65.2 | 67.8 | 64.1 | 62.5 | 59.9 | 57.1 | 51.7 | 47.1 | 65.0 |
| 3 | Cooling | 230V | 68.7 | 72.8 | 68.3 | 65.4 | 65.0 | 62.0 | 59.0 | 54.7 | 48.7 | 67.1 |
| 4 | Cooling | 230V | 70.6 | 74.0 | 67.8 | 64.5 | 62.6 | 59.3 | 53.5 | 49.5 | 41.6 | 64.2 |
| 1 | Heating | 230V | 72.1 | 70.8 | 74.1 | 66.9 | 64.7 | 60.6 | 54.3 | 49.1 | 42.1 | 66.2 |
| 2 | Heating | 230V | 71.0 | 72.9 | 73.3 | 66.8 | 66.0 | 63.4 | 60.9 | 57.6 | 46.7 | 68.8 |
| 3 | Heating | 230V | 70.9 | 74.6 | 73.4 | 68.9 | 68.6 | 65.6 | 62.1 | 57.2 | 48.7 | 70.6 |
| 4 | Heating | 230V | 71.1 | 72.1 | 70.3 | 69.0 | 65.4 | 62.0 | 56.0 | 49.1 | 43.0 | 67.0 |
| 1 | Cooling | 460V | 68.8 | 65.9 | 71.6 | 63.4 | 60.7 | 56.6 | 50.3 | 43.6 | 38.2 | 62.3 |
| 2 | Cooling | 460V | 68.4 | 63.3 | 66.4 | 64.4 | 63.1 | 60.0 | 55.4 | 51.7 | 44.7 | 64.8 |
| 3 | Cooling | 460V | 68.7 | 70.9 | 66.4 | 65.8 | 64.9 | 62.1 | 57.9 | 54.8 | 48.3 | 66.8 |
| 4 | Cooling | 460V | 69.9 | 71.2 | 67.2 | 64.5 | 62.3 | 59.2 | 52.8 | 49.0 | 42.8 | 64.0 |
| 1 | Heating | 460V | 71.9 | 74.6 | 73.3 | 66.9 | 63.6 | 60.1 | 53.3 | 49.2 | 42.5 | 65.5 |
| 2 | Heating | 460V | 73.4 | 77.1 | 71.8 | 68.2 | 66.8 | 63.1 | 59.4 | 59.6 | 50.0 | 69.0 |
| 3 | Heating | 460V | 73.8 | 80.0 | 71.5 | 69.8 | 68.1 | 65.2 | 61.8 | 62.0 | 51.6 | 70.9 |
| 4 | Heating | 460V | 71.8 | 71.2 | 71.5 | 68.1 | 66.3 | 62.3 | 55.6 | 52.3 | 45.1 | 67.5 |

NOTES - The octave sound power data does not include tonal corrections. Sound Rating Number tested according to AHRI Standard 370 (includes pure tone penalty).
 Sound Rating Number is the overall A-Weighted Sound Power Level, (LWA), dB (100 Hz to 10,000 Hz).
 31.5 and 63HZ band is not certified and is usually lower than reported.

DIMENSIONS - UNIT

VRB072L4

| CORNER WEIGHTS | | | | | | | | | CENTER OF GRAVITY | | | |
|----------------|------|----|------|----|------|----|------|-----|-------------------|-----|--------|-----|
| Model No. | AA | | BB | | CC | | DD | | EE | | FF | |
| | lbs. | kg | lbs. | kg | lbs. | kg | lbs. | kg | in. | mm | in. | mm |
| VRB072L4 | 124 | 57 | 207 | 95 | 215 | 99 | 256 | 118 | 27-3/4 | 705 | 12-1/4 | 311 |



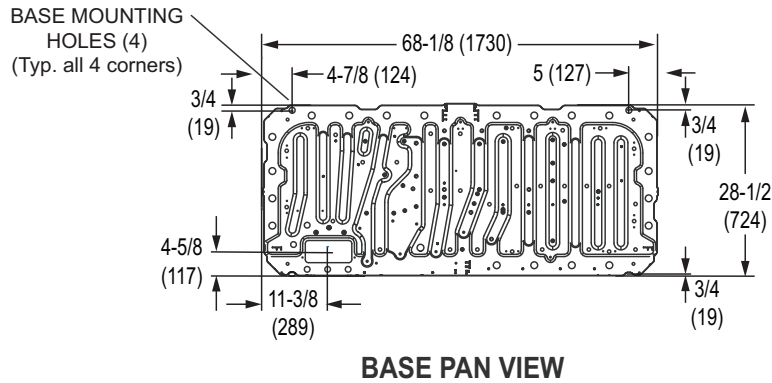
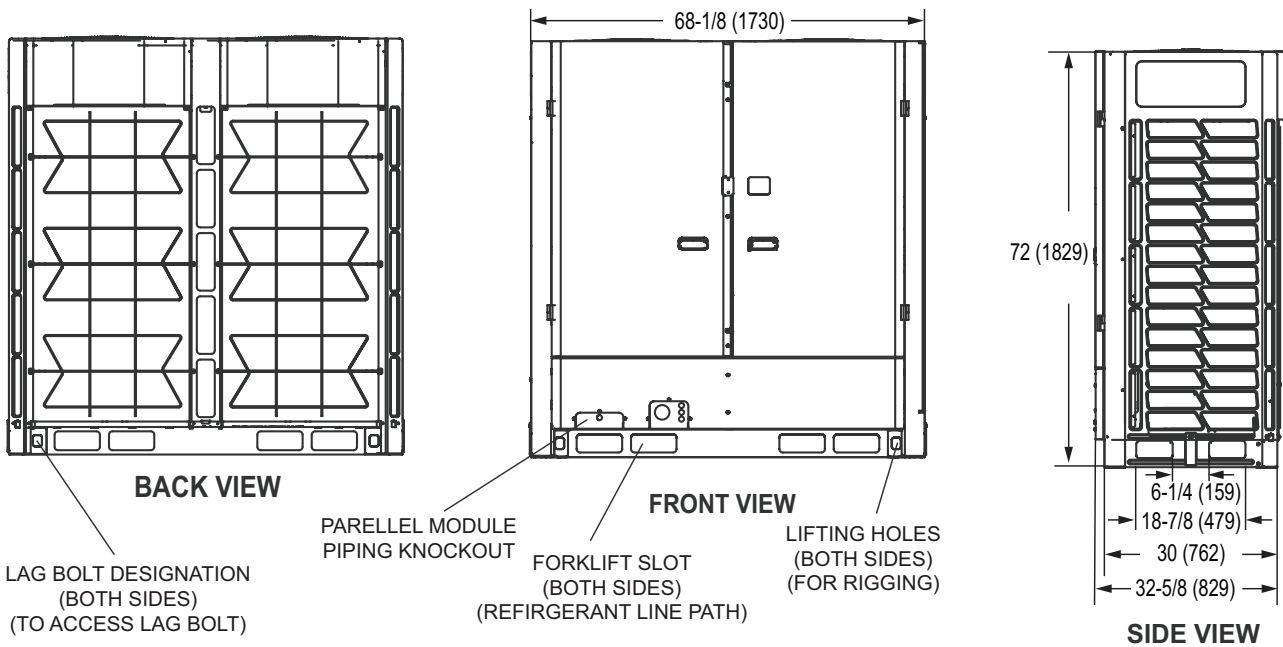
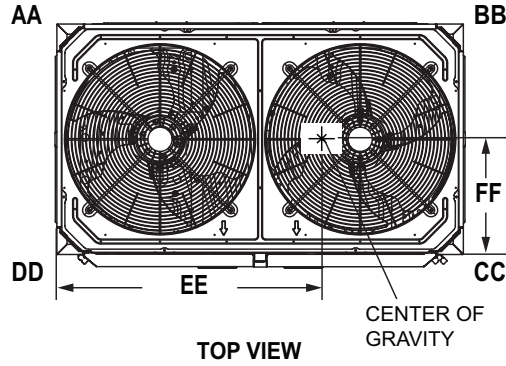
DIMENSIONS - UNIT

VRB096L4 | VRB120L4

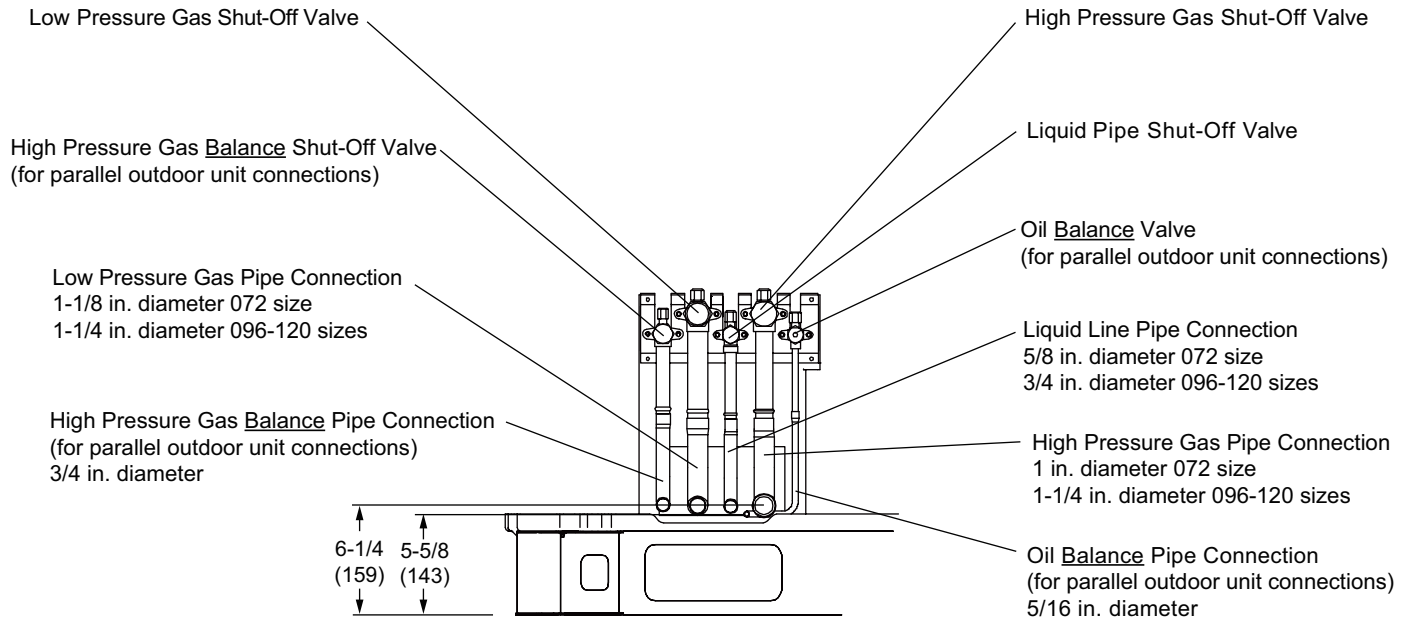
CORNER WEIGHTS

CENTER OF GRAVITY

| Model No. | AA | | BB | | CC | | DD | | EE | | FF | |
|--------------------|------|----|------|-----|------|-----|------|-----|--------|-----|-----|-----|
| | lbs. | kg | lbs. | kg | lbs. | kg | lbs. | kg | in. | mm | in. | mm |
| VRB096L4, VRB120L4 | 173 | 80 | 266 | 122 | 332 | 153 | 323 | 148 | 37-1/2 | 953 | 12 | 305 |

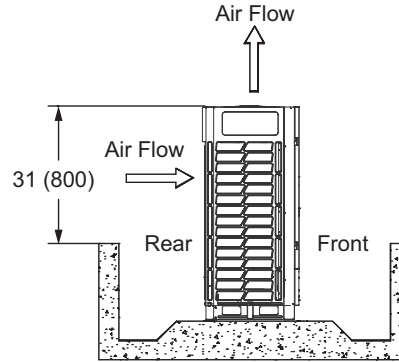
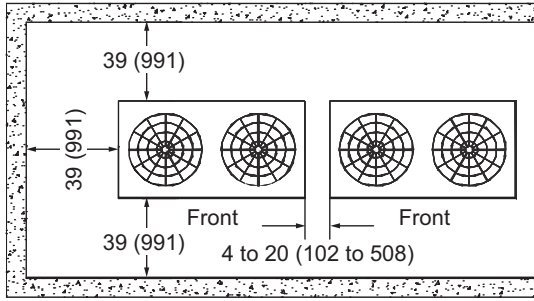


DIMENSIONS - PIPING DETAILS

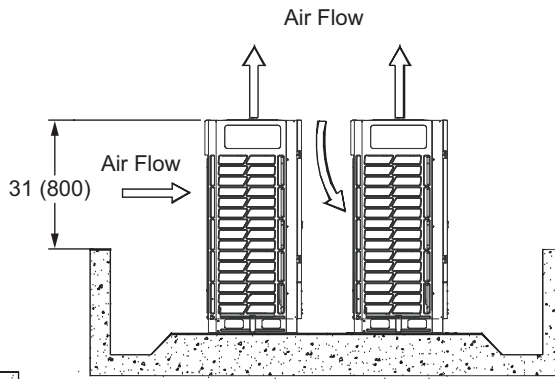
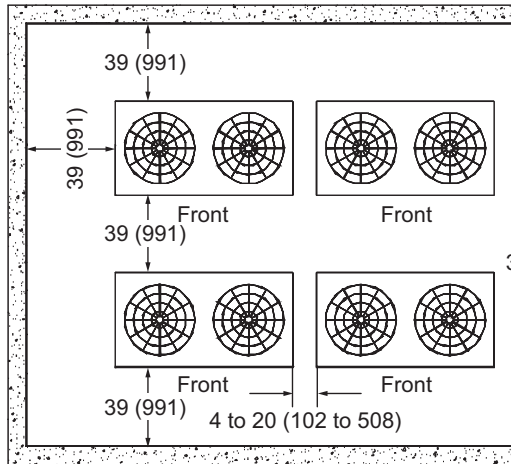


INSTALLATION CLEARANCES

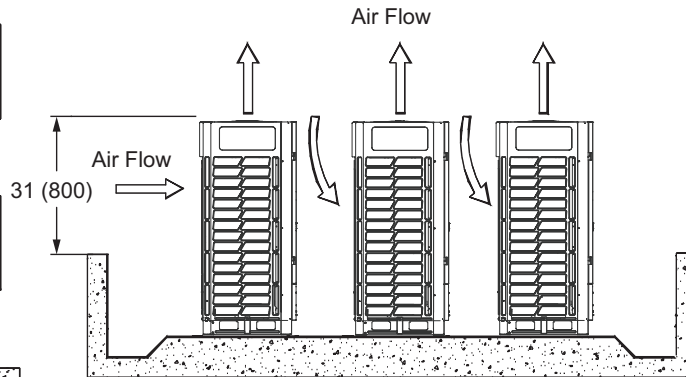
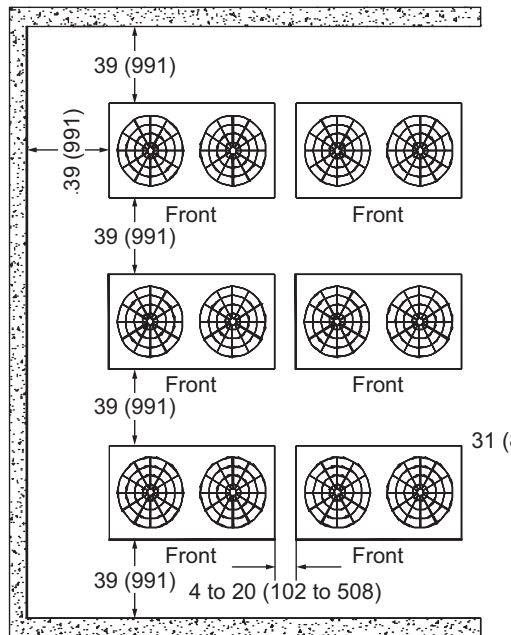
SINGLE ROW



TWO ROWS



THREE OR MORE ROWS



COOLING CAPACITY - SINGLE MODULE | VRB072L4

| Combination (%) | Outdoor Temperature °F (Dry Bulb) | Indoor Temperature - °F (Dry Bulb / Wet Bulb) | | | | | | | | | | | |
|-----------------|-----------------------------------|---|-------------|------------|-------------|------------|-------------|------------|-------------|------------|-------------|------------|-------------|
| | | 67 / 57 | | 71 / 60 | | 75 / 63 | | 80 / 67 | | 85 / 71 | | 90 / 75 | |
| | | Total Cap. | Power Input | Total Cap. | Power Input | Total Cap. | Power Input | Total Cap. | Power Input | Total Cap. | Power Input | Total Cap. | Power Input |
| | | MBH | KW | MBH | KW | MBH | KW | MBH | KW | MBH | KW | MBH | KW |
| 130% | -10 | 55.2 | 1.4 | 67.1 | 1.7 | 78.2 | 2.0 | 93.6 | 2.5 | 109.7 | 3.0 | 125.0 | 3.5 |
| | -5 | 55.2 | 1.5 | 67.1 | 1.8 | 78.2 | 2.2 | 93.6 | 2.7 | 109.7 | 3.2 | 125.0 | 3.7 |
| | 10 | 55.2 | 1.5 | 67.1 | 1.9 | 78.2 | 2.2 | 93.6 | 2.7 | 109.7 | 3.2 | 125.0 | 3.8 |
| | 15 | 55.2 | 1.6 | 67.1 | 1.9 | 78.2 | 2.3 | 93.6 | 2.8 | 109.7 | 3.3 | 122.8 | 3.8 |
| | 20 | 55.2 | 1.6 | 67.1 | 2.0 | 78.2 | 2.3 | 93.6 | 2.8 | 109.7 | 3.4 | 120.3 | 3.8 |
| | 25 | 55.2 | 1.6 | 67.1 | 2.0 | 78.2 | 2.4 | 93.6 | 2.9 | 109.7 | 3.5 | 117.6 | 3.8 |
| | 30 | 55.2 | 1.7 | 67.1 | 2.1 | 78.2 | 2.4 | 93.6 | 3.0 | 109.7 | 3.5 | 114.8 | 3.8 |
| | 35 | 55.2 | 1.7 | 67.1 | 2.1 | 78.2 | 2.5 | 93.6 | 3.0 | 109.7 | 3.6 | 112.2 | 3.8 |
| | 40 | 55.2 | 1.8 | 67.1 | 2.2 | 78.2 | 2.5 | 93.6 | 3.1 | 109.7 | 3.7 | 110.5 | 3.8 |
| | 45 | 55.2 | 1.8 | 67.1 | 2.2 | 78.2 | 2.6 | 93.6 | 3.2 | 109.7 | 3.8 | 109.9 | 3.9 |
| | 50 | 55.2 | 1.8 | 67.1 | 2.3 | 78.2 | 2.7 | 93.6 | 3.3 | 108.1 | 3.9 | 109.5 | 4.0 |
| | 55 | 55.2 | 1.9 | 67.1 | 2.3 | 78.2 | 2.8 | 93.6 | 3.4 | 107.9 | 4.0 | 109.4 | 4.1 |
| | 60 | 55.2 | 1.9 | 67.1 | 2.4 | 78.2 | 2.8 | 93.6 | 3.4 | 108.3 | 4.1 | 109.4 | 4.2 |
| | 65 | 55.2 | 2.0 | 67.1 | 2.5 | 78.2 | 2.9 | 93.6 | 3.5 | 107.5 | 4.2 | 109.6 | 4.3 |
| | 70 | 55.2 | 2.2 | 67.1 | 2.7 | 78.2 | 3.2 | 93.6 | 3.9 | 107.7 | 4.5 | 109.7 | 4.7 |
| | 75 | 55.2 | 2.4 | 67.1 | 2.9 | 78.2 | 3.5 | 93.6 | 4.2 | 107.8 | 5.0 | 109.8 | 5.2 |
| | 80 | 55.2 | 2.6 | 67.1 | 3.2 | 78.2 | 3.8 | 93.6 | 4.6 | 107.6 | 5.5 | 109.7 | 5.7 |
| | 85 | 55.2 | 2.9 | 67.1 | 3.5 | 78.2 | 4.2 | 93.6 | 5.1 | 107.0 | 6.0 | 109.0 | 6.2 |
| | 90 | 55.2 | 3.2 | 67.1 | 3.9 | 78.2 | 4.6 | 93.6 | 5.6 | 105.7 | 6.4 | 107.8 | 6.7 |
| | 95 | 55.2 | 3.4 | 67.1 | 4.2 | 78.2 | 5.0 | 93.6 | 6.1 | 98.1 | 6.5 | 99.6 | 6.8 |
| | 100 | 55.2 | 3.7 | 67.1 | 4.6 | 78.2 | 5.4 | 93.6 | 6.6 | 94.6 | 6.8 | 96.4 | 7.1 |
| 105 | 55.2 | 4.0 | 67.1 | 5.0 | 78.2 | 5.9 | 87.4 | 6.7 | 90.0 | 7.0 | 91.8 | 7.3 | |
| 110 | 55.2 | 4.3 | 67.1 | 5.3 | 78.2 | 6.3 | 81.4 | 6.7 | 83.8 | 7.0 | 85.4 | 7.3 | |
| 115 | 55.2 | 4.6 | 67.1 | 5.6 | 70.6 | 6.0 | 73.3 | 6.3 | 75.5 | 6.7 | 76.9 | 7.0 | |
| 118 | 55.2 | 4.7 | 62.6 | 5.4 | 64.8 | 5.7 | 67.3 | 6.0 | 69.3 | 6.3 | 70.6 | 6.6 | |
| 125 | 44.3 | 3.9 | 46.3 | 4.2 | 47.9 | 4.4 | 49.7 | 4.6 | 51.2 | 4.9 | 52.2 | 5.1 | |
| 120% | -10 | 50.9 | 1.3 | 61.9 | 1.6 | 72.2 | 1.9 | 86.4 | 2.3 | 101.2 | 2.7 | 115.4 | 3.2 |
| | -5 | 50.9 | 1.4 | 61.9 | 1.7 | 72.2 | 2.0 | 86.4 | 2.4 | 101.2 | 2.9 | 115.4 | 3.4 |
| | 10 | 50.9 | 1.4 | 61.9 | 1.7 | 72.2 | 2.0 | 86.4 | 2.5 | 101.2 | 3.0 | 115.4 | 3.4 |
| | 15 | 50.9 | 1.4 | 61.9 | 1.7 | 72.2 | 2.1 | 86.4 | 2.5 | 101.2 | 3.0 | 115.4 | 3.5 |
| | 20 | 50.9 | 1.5 | 61.9 | 1.8 | 72.2 | 2.1 | 86.4 | 2.6 | 101.2 | 3.1 | 115.4 | 3.6 |
| | 25 | 50.9 | 1.5 | 61.9 | 1.8 | 72.2 | 2.2 | 86.4 | 2.6 | 101.2 | 3.2 | 115.4 | 3.7 |
| | 30 | 50.9 | 1.5 | 61.9 | 1.9 | 72.2 | 2.2 | 86.4 | 2.7 | 101.2 | 3.2 | 112.7 | 3.7 |
| | 35 | 50.9 | 1.6 | 61.9 | 1.9 | 72.2 | 2.3 | 86.4 | 2.8 | 101.2 | 3.3 | 110.1 | 3.7 |
| | 40 | 50.9 | 1.6 | 61.9 | 2.0 | 72.2 | 2.3 | 86.4 | 2.8 | 101.2 | 3.4 | 108.4 | 3.7 |
| | 45 | 50.9 | 1.6 | 61.9 | 2.0 | 72.2 | 2.4 | 86.4 | 2.9 | 101.2 | 3.5 | 107.8 | 3.8 |
| | 50 | 50.9 | 1.7 | 61.9 | 2.1 | 72.2 | 2.4 | 86.4 | 3.0 | 101.2 | 3.6 | 107.4 | 3.9 |
| | 55 | 50.9 | 1.7 | 61.9 | 2.1 | 72.2 | 2.5 | 86.4 | 3.0 | 101.2 | 3.7 | 107.3 | 4.0 |
| | 60 | 50.9 | 1.8 | 61.9 | 2.2 | 72.2 | 2.6 | 86.4 | 3.1 | 101.2 | 3.8 | 107.3 | 4.1 |
| | 65 | 50.9 | 1.8 | 61.9 | 2.2 | 72.2 | 2.6 | 86.4 | 3.2 | 101.2 | 3.9 | 107.5 | 4.2 |
| | 70 | 50.9 | 2.0 | 61.9 | 2.4 | 72.2 | 2.9 | 86.4 | 3.5 | 101.2 | 4.2 | 107.7 | 4.6 |
| | 75 | 50.9 | 2.2 | 61.9 | 2.7 | 72.2 | 3.2 | 86.4 | 3.8 | 101.2 | 4.6 | 107.8 | 5.0 |
| | 80 | 50.9 | 2.4 | 61.9 | 2.9 | 72.2 | 3.5 | 86.4 | 4.2 | 101.2 | 5.1 | 107.6 | 5.5 |
| | 85 | 50.9 | 2.6 | 61.9 | 3.2 | 72.2 | 3.8 | 86.4 | 4.6 | 101.2 | 5.5 | 107.0 | 6.0 |
| | 90 | 50.9 | 2.9 | 61.9 | 3.5 | 72.2 | 4.2 | 86.4 | 5.1 | 101.2 | 6.1 | 105.7 | 6.5 |
| | 95 | 50.9 | 3.1 | 61.9 | 3.9 | 72.2 | 4.5 | 86.4 | 5.5 | 98.1 | 6.4 | 99.6 | 6.7 |
| | 100 | 50.9 | 3.4 | 61.9 | 4.2 | 72.2 | 4.9 | 86.4 | 6.0 | 94.6 | 6.7 | 96.4 | 7.0 |
| 105 | 50.9 | 3.7 | 61.9 | 4.5 | 72.2 | 5.3 | 86.4 | 6.5 | 90.0 | 6.9 | 91.8 | 7.2 | |
| 110 | 50.9 | 3.9 | 61.9 | 4.8 | 72.2 | 5.7 | 81.4 | 6.6 | 83.8 | 6.9 | 85.4 | 7.2 | |
| 115 | 50.9 | 4.2 | 61.9 | 5.1 | 70.6 | 5.9 | 73.3 | 6.2 | 75.5 | 6.6 | 76.9 | 6.9 | |
| 118 | 50.9 | 4.3 | 61.9 | 5.3 | 64.8 | 5.6 | 67.3 | 5.9 | 69.3 | 6.2 | 70.6 | 6.5 | |
| 125 | 44.3 | 3.9 | 46.3 | 4.1 | 47.9 | 4.3 | 49.7 | 4.5 | 51.2 | 4.8 | 52.2 | 5.0 | |

NOTE - Power Input = Compressor + Outdoor Fan Motor.
 MBH = 1000 BTUs per hour.

COOLING CAPACITY - SINGLE MODULE | VRB072L4

| Combination (%) | Outdoor Temperature °F (Dry Bulb) | Indoor Temperature - °F (Dry Bulb / Wet Bulb) | | | | | | | | | | | |
|-----------------|-----------------------------------|---|-------------|------------|-------------|------------|-------------|-------------|-------------|------------|-------------|------------|-------------|
| | | 67 / 57 | | 71 / 60 | | 75 / 63 | | 80 / 67 | | 85 / 71 | | 90 / 75 | |
| | | Total Cap. | Power Input | Total Cap. | Power Input | Total Cap. | Power Input | Total Cap. | Power Input | Total Cap. | Power Input | Total Cap. | Power Input |
| | | MBH | kW | MBH | kW | MBH | kW | MBH | kW | MBH | kW | MBH | kW |
| 110% | -10 | 46.7 | 1.2 | 56.7 | 1.4 | 66.2 | 1.7 | 79.2 | 2.0 | 92.8 | 2.5 | 105.8 | 2.9 |
| | -5 | 46.7 | 1.2 | 56.7 | 1.5 | 66.2 | 1.8 | 79.2 | 2.2 | 92.8 | 2.6 | 105.8 | 3.0 |
| | 10 | 46.7 | 1.3 | 56.7 | 1.5 | 66.2 | 1.8 | 79.2 | 2.2 | 92.8 | 2.7 | 105.8 | 3.1 |
| | 15 | 46.7 | 1.3 | 56.7 | 1.6 | 66.2 | 1.9 | 79.2 | 2.3 | 92.8 | 2.7 | 105.8 | 3.2 |
| | 20 | 46.7 | 1.3 | 56.7 | 1.6 | 66.2 | 1.9 | 79.2 | 2.3 | 92.8 | 2.8 | 105.8 | 3.2 |
| | 25 | 46.7 | 1.3 | 56.7 | 1.7 | 66.2 | 1.9 | 79.2 | 2.4 | 92.8 | 2.8 | 105.8 | 3.3 |
| | 30 | 46.7 | 1.4 | 56.7 | 1.7 | 66.2 | 2.0 | 79.2 | 2.4 | 92.8 | 2.9 | 105.8 | 3.4 |
| | 35 | 46.7 | 1.4 | 56.7 | 1.7 | 66.2 | 2.0 | 79.2 | 2.5 | 92.8 | 3.0 | 105.8 | 3.5 |
| | 40 | 46.7 | 1.4 | 56.7 | 1.8 | 66.2 | 2.1 | 79.2 | 2.5 | 92.8 | 3.1 | 105.8 | 3.6 |
| | 45 | 46.7 | 1.5 | 56.7 | 1.8 | 66.2 | 2.1 | 79.2 | 2.6 | 92.8 | 3.1 | 105.8 | 3.7 |
| | 50 | 46.7 | 1.5 | 56.7 | 1.9 | 66.2 | 2.2 | 79.2 | 2.7 | 92.8 | 3.2 | 105.4 | 3.7 |
| | 55 | 46.7 | 1.6 | 56.7 | 1.9 | 66.2 | 2.3 | 79.2 | 2.8 | 92.8 | 3.3 | 105.2 | 3.8 |
| | 60 | 46.7 | 1.6 | 56.7 | 2.0 | 66.2 | 2.3 | 79.2 | 2.8 | 92.8 | 3.4 | 105.3 | 3.9 |
| | 65 | 46.7 | 1.6 | 56.7 | 2.0 | 66.2 | 2.4 | 79.2 | 2.9 | 92.8 | 3.5 | 105.4 | 4.0 |
| | 70 | 46.7 | 1.8 | 56.7 | 2.2 | 66.2 | 2.6 | 79.2 | 3.2 | 92.8 | 3.8 | 105.6 | 4.4 |
| | 75 | 46.7 | 2.0 | 56.7 | 2.4 | 66.2 | 2.8 | 79.2 | 3.5 | 92.8 | 4.2 | 105.7 | 4.8 |
| | 80 | 46.7 | 2.2 | 56.7 | 2.6 | 66.2 | 3.1 | 79.2 | 3.8 | 92.8 | 4.6 | 105.5 | 5.3 |
| | 85 | 46.7 | 2.4 | 56.7 | 2.9 | 66.2 | 3.4 | 79.2 | 4.2 | 92.8 | 5.0 | 104.9 | 5.8 |
| | 90 | 46.7 | 2.6 | 56.7 | 3.2 | 66.2 | 3.8 | 79.2 | 4.6 | 92.8 | 5.5 | 103.7 | 6.3 |
| | 95 | 46.7 | 2.8 | 56.7 | 3.5 | 66.2 | 4.1 | 79.2 | 5.0 | 92.8 | 6.0 | 99.6 | 6.6 |
| 100 | 46.7 | 3.1 | 56.7 | 3.8 | 66.2 | 4.5 | 79.2 | 5.4 | 92.8 | 6.5 | 96.4 | 6.9 | |
| 105 | 46.7 | 3.3 | 56.7 | 4.1 | 66.2 | 4.8 | 79.2 | 5.9 | 90.0 | 6.8 | 91.8 | 7.1 | |
| 110 | 46.7 | 3.6 | 56.7 | 4.4 | 66.2 | 5.2 | 79.2 | 6.3 | 83.8 | 6.8 | 85.4 | 7.1 | |
| 115 | 46.7 | 3.8 | 56.7 | 4.6 | 66.2 | 5.5 | 73.3 | 6.2 | 75.5 | 6.5 | 76.9 | 6.8 | |
| 118 | 46.7 | 3.9 | 56.7 | 4.7 | 64.8 | 5.5 | 67.3 | 5.8 | 69.3 | 6.1 | 70.6 | 6.4 | |
| 125 | 44.3 | 3.8 | 46.3 | 4.0 | 47.9 | 4.2 | 49.7 | 4.5 | 51.2 | 4.7 | 52.2 | 4.9 | |
| 100% | -10 | 42.4 | 1.0 | 51.6 | 1.3 | 60.2 | 1.5 | 72.0 | 1.8 | 84.4 | 2.2 | 96.2 | 2.6 |
| | -5 | 42.4 | 1.1 | 51.6 | 1.4 | 60.2 | 1.6 | 72.0 | 1.9 | 84.4 | 2.3 | 96.2 | 2.7 |
| | 10 | 42.4 | 1.1 | 51.6 | 1.4 | 60.2 | 1.6 | 72.0 | 2.0 | 84.4 | 2.4 | 96.2 | 2.8 |
| | 15 | 42.4 | 1.2 | 51.6 | 1.4 | 60.2 | 1.7 | 72.0 | 2.0 | 84.4 | 2.4 | 96.2 | 2.8 |
| | 20 | 42.4 | 1.2 | 51.6 | 1.4 | 60.2 | 1.7 | 72.0 | 2.1 | 84.4 | 2.5 | 96.2 | 2.9 |
| | 25 | 42.4 | 1.2 | 51.6 | 1.5 | 60.2 | 1.7 | 72.0 | 2.1 | 84.4 | 2.5 | 96.2 | 3.0 |
| | 30 | 42.4 | 1.2 | 51.6 | 1.5 | 60.2 | 1.8 | 72.0 | 2.2 | 84.4 | 2.6 | 96.2 | 3.0 |
| | 35 | 42.4 | 1.3 | 51.6 | 1.5 | 60.2 | 1.8 | 72.0 | 2.2 | 84.4 | 2.7 | 96.2 | 3.1 |
| | 40 | 42.4 | 1.3 | 51.6 | 1.6 | 60.2 | 1.9 | 72.0 | 2.3 | 84.4 | 2.7 | 96.2 | 3.2 |
| | 45 | 42.4 | 1.3 | 51.6 | 1.6 | 60.2 | 1.9 | 72.0 | 2.3 | 84.4 | 2.8 | 96.2 | 3.3 |
| | 50 | 42.4 | 1.4 | 51.6 | 1.7 | 60.2 | 2.0 | 72.0 | 2.4 | 84.4 | 2.9 | 96.2 | 3.4 |
| | 55 | 42.4 | 1.4 | 51.6 | 1.7 | 60.2 | 2.0 | 72.0 | 2.5 | 84.4 | 3.0 | 96.2 | 3.4 |
| | 60 | 42.4 | 1.4 | 51.6 | 1.8 | 60.2 | 2.1 | 72.0 | 2.5 | 84.4 | 3.0 | 96.2 | 3.5 |
| | 65 | 42.4 | 1.5 | 51.6 | 1.8 | 60.2 | 2.1 | 72.0 | 2.6 | 84.4 | 3.1 | 96.2 | 3.6 |
| | 70 | 42.4 | 1.6 | 51.6 | 2.0 | 60.2 | 2.3 | 72.0 | 2.8 | 84.4 | 3.4 | 96.2 | 4.0 |
| | 75 | 42.4 | 1.8 | 51.6 | 2.2 | 60.2 | 2.5 | 72.0 | 3.1 | 84.4 | 3.7 | 96.2 | 4.3 |
| | 80 | 42.4 | 1.9 | 51.6 | 2.4 | 60.2 | 2.8 | 72.0 | 3.4 | 84.4 | 4.1 | 96.2 | 4.8 |
| | 85 | 42.4 | 2.1 | 51.6 | 2.6 | 60.2 | 3.1 | 72.0 | 3.7 | 84.4 | 4.5 | 96.2 | 5.2 |
| | 90 | 42.4 | 2.3 | 51.6 | 2.8 | 60.2 | 3.4 | 72.0 | 4.1 | 84.4 | 4.9 | 96.2 | 5.7 |
| | 95 | 42.4 | 2.5 | 51.6 | 3.1 | 60.2 | 3.7 | 72.0 | 4.5 | 84.4 | 5.4 | 96.2 | 6.3 |
| 100 | 42.4 | 2.8 | 51.6 | 3.4 | 60.2 | 4.0 | 72.0 | 4.9 | 84.4 | 5.8 | 96.2 | 6.8 | |
| 105 | 42.4 | 3.0 | 51.6 | 3.7 | 60.2 | 4.3 | 72.0 | 5.3 | 84.4 | 6.3 | 91.8 | 7.0 | |
| 110 | 42.4 | 3.2 | 51.6 | 3.9 | 60.2 | 4.6 | 72.0 | 5.6 | 83.8 | 6.7 | 85.4 | 7.0 | |
| 115 | 42.4 | 3.4 | 51.6 | 4.1 | 60.2 | 4.9 | 72.0 | 6.0 | 75.5 | 6.4 | 76.9 | 6.7 | |
| 118 | 42.4 | 3.5 | 51.6 | 4.3 | 60.2 | 5.0 | 67.3 | 5.7 | 69.3 | 6.0 | 70.6 | 6.3 | |
| 125 | 42.4 | 3.6 | 46.3 | 4.0 | 47.9 | 4.2 | 49.7 | 4.4 | 51.2 | 4.6 | 52.2 | 4.8 | |

NOTE - Power Input = Compressor + Outdoor Fan Motor.
 MBH = 1000 BTUs per hour.

COOLING CAPACITY - SINGLE MODULE | VRB072L4

| Combination (%) | Outdoor Temperature °F (Dry Bulb) | Indoor Temperature - °F (Dry Bulb / Wet Bulb) | | | | | | | | | | | |
|-----------------|-----------------------------------|---|-------------|------------|-------------|------------|-------------|------------|-------------|------------|-------------|------------|-------------|
| | | 67 / 57 | | 71 / 60 | | 75 / 63 | | 80 / 67 | | 85 / 71 | | 90 / 75 | |
| | | Total Cap. | Power Input | Total Cap. | Power Input | Total Cap. | Power Input | Total Cap. | Power Input | Total Cap. | Power Input | Total Cap. | Power Input |
| | | MBH | KW | MBH | KW | MBH | KW | MBH | KW | MBH | KW | MBH | KW |
| 90% | -10 | 38.2 | 0.9 | 46.4 | 1.1 | 54.2 | 1.3 | 64.8 | 1.6 | 75.9 | 1.9 | 86.6 | 2.3 |
| | -5 | 38.2 | 1.0 | 46.4 | 1.2 | 54.2 | 1.4 | 64.8 | 1.7 | 75.9 | 2.1 | 86.6 | 2.4 |
| | 10 | 38.2 | 1.0 | 46.4 | 1.2 | 54.2 | 1.4 | 64.8 | 1.8 | 75.9 | 2.1 | 86.6 | 2.5 |
| | 15 | 38.2 | 1.0 | 46.4 | 1.3 | 54.2 | 1.5 | 64.8 | 1.8 | 75.9 | 2.2 | 86.6 | 2.5 |
| | 20 | 38.2 | 1.0 | 46.4 | 1.3 | 54.2 | 1.5 | 64.8 | 1.8 | 75.9 | 2.2 | 86.6 | 2.6 |
| | 25 | 38.2 | 1.1 | 46.4 | 1.3 | 54.2 | 1.5 | 64.8 | 1.9 | 75.9 | 2.3 | 86.6 | 2.6 |
| | 30 | 38.2 | 1.1 | 46.4 | 1.3 | 54.2 | 1.6 | 64.8 | 1.9 | 75.9 | 2.3 | 86.6 | 2.7 |
| | 35 | 38.2 | 1.1 | 46.4 | 1.4 | 54.2 | 1.6 | 64.8 | 2.0 | 75.9 | 2.4 | 86.6 | 2.8 |
| | 40 | 38.2 | 1.1 | 46.4 | 1.4 | 54.2 | 1.7 | 64.8 | 2.0 | 75.9 | 2.4 | 86.6 | 2.8 |
| | 45 | 38.2 | 1.2 | 46.4 | 1.4 | 54.2 | 1.7 | 64.8 | 2.1 | 75.9 | 2.5 | 86.6 | 2.9 |
| | 50 | 38.2 | 1.2 | 46.4 | 1.5 | 54.2 | 1.7 | 64.8 | 2.1 | 75.9 | 2.5 | 86.6 | 3.0 |
| | 55 | 38.2 | 1.2 | 46.4 | 1.5 | 54.2 | 1.8 | 64.8 | 2.2 | 75.9 | 2.6 | 86.6 | 3.1 |
| | 60 | 38.2 | 1.3 | 46.4 | 1.6 | 54.2 | 1.8 | 64.8 | 2.2 | 75.9 | 2.7 | 86.6 | 3.1 |
| | 65 | 38.2 | 1.3 | 46.4 | 1.6 | 54.2 | 1.9 | 64.8 | 2.3 | 75.9 | 2.8 | 86.6 | 3.2 |
| | 70 | 38.2 | 1.4 | 46.4 | 1.7 | 54.2 | 2.1 | 64.8 | 2.5 | 75.9 | 3.0 | 86.6 | 3.5 |
| | 75 | 38.2 | 1.6 | 46.4 | 1.9 | 54.2 | 2.3 | 64.8 | 2.8 | 75.9 | 3.3 | 86.6 | 3.9 |
| | 80 | 38.2 | 1.7 | 46.4 | 2.1 | 54.2 | 2.5 | 64.8 | 3.0 | 75.9 | 3.6 | 86.6 | 4.2 |
| | 85 | 38.2 | 1.9 | 46.4 | 2.3 | 54.2 | 2.7 | 64.8 | 3.3 | 75.9 | 4.0 | 86.6 | 4.6 |
| | 90 | 38.2 | 2.1 | 46.4 | 2.5 | 54.2 | 3.0 | 64.8 | 3.6 | 75.9 | 4.4 | 86.6 | 5.1 |
| | 95 | 38.2 | 2.2 | 46.4 | 2.8 | 54.2 | 3.3 | 64.8 | 4.0 | 75.9 | 4.8 | 86.6 | 5.6 |
| 100 | 38.2 | 2.4 | 46.4 | 3.0 | 54.2 | 3.5 | 64.8 | 4.3 | 75.9 | 5.2 | 86.6 | 6.0 | |
| 105 | 38.2 | 2.6 | 46.4 | 3.2 | 54.2 | 3.8 | 64.8 | 4.7 | 75.9 | 5.6 | 86.6 | 6.5 | |
| 110 | 38.2 | 2.8 | 46.4 | 3.5 | 54.2 | 4.1 | 64.8 | 5.0 | 75.9 | 6.0 | 85.4 | 6.9 | |
| 115 | 38.2 | 3.0 | 46.4 | 3.7 | 54.2 | 4.3 | 64.8 | 5.3 | 75.5 | 6.3 | 76.9 | 6.6 | |
| 118 | 38.2 | 3.1 | 46.4 | 3.8 | 54.2 | 4.5 | 64.8 | 5.4 | 69.3 | 5.9 | 70.6 | 6.2 | |
| 125 | 38.2 | 3.2 | 46.3 | 3.9 | 47.9 | 4.1 | 49.7 | 4.3 | 51.2 | 4.6 | 52.2 | 4.8 | |
| 80% | -10 | 34.0 | 0.8 | 41.3 | 1.0 | 48.1 | 1.2 | 57.6 | 1.4 | 67.5 | 1.7 | 76.9 | 2.0 |
| | -5 | 34.0 | 0.9 | 41.3 | 1.1 | 48.1 | 1.2 | 57.6 | 1.5 | 67.5 | 1.8 | 76.9 | 2.1 |
| | 10 | 34.0 | 0.9 | 41.3 | 1.1 | 48.1 | 1.3 | 57.6 | 1.5 | 67.5 | 1.9 | 76.9 | 2.2 |
| | 15 | 34.0 | 0.9 | 41.3 | 1.1 | 48.1 | 1.3 | 57.6 | 1.6 | 67.5 | 1.9 | 76.9 | 2.2 |
| | 20 | 34.0 | 0.9 | 41.3 | 1.1 | 48.1 | 1.3 | 57.6 | 1.6 | 67.5 | 1.9 | 76.9 | 2.3 |
| | 25 | 34.0 | 0.9 | 41.3 | 1.1 | 48.1 | 1.4 | 57.6 | 1.7 | 67.5 | 2.0 | 76.9 | 2.3 |
| | 30 | 34.0 | 1.0 | 41.3 | 1.2 | 48.1 | 1.4 | 57.6 | 1.7 | 67.5 | 2.0 | 76.9 | 2.4 |
| | 35 | 34.0 | 1.0 | 41.3 | 1.2 | 48.1 | 1.4 | 57.6 | 1.7 | 67.5 | 2.1 | 76.9 | 2.4 |
| | 40 | 34.0 | 1.0 | 41.3 | 1.2 | 48.1 | 1.5 | 57.6 | 1.8 | 67.5 | 2.1 | 76.9 | 2.5 |
| | 45 | 34.0 | 1.0 | 41.3 | 1.3 | 48.1 | 1.5 | 57.6 | 1.8 | 67.5 | 2.2 | 76.9 | 2.5 |
| | 50 | 34.0 | 1.1 | 41.3 | 1.3 | 48.1 | 1.5 | 57.6 | 1.9 | 67.5 | 2.2 | 76.9 | 2.6 |
| | 55 | 34.0 | 1.1 | 41.3 | 1.3 | 48.1 | 1.6 | 57.6 | 1.9 | 67.5 | 2.3 | 76.9 | 2.7 |
| | 60 | 34.0 | 1.1 | 41.3 | 1.4 | 48.1 | 1.6 | 57.6 | 2.0 | 67.5 | 2.4 | 76.9 | 2.7 |
| | 65 | 34.0 | 1.1 | 41.3 | 1.4 | 48.1 | 1.7 | 57.6 | 2.0 | 67.5 | 2.4 | 76.9 | 2.8 |
| | 70 | 34.0 | 1.2 | 41.3 | 1.5 | 48.1 | 1.8 | 57.6 | 2.2 | 67.5 | 2.6 | 76.9 | 3.1 |
| | 75 | 34.0 | 1.4 | 41.3 | 1.7 | 48.1 | 2.0 | 57.6 | 2.4 | 67.5 | 2.9 | 76.9 | 3.4 |
| | 80 | 34.0 | 1.5 | 41.3 | 1.8 | 48.1 | 2.2 | 57.6 | 2.6 | 67.5 | 3.2 | 76.9 | 3.7 |
| | 85 | 34.0 | 1.6 | 41.3 | 2.0 | 48.1 | 2.4 | 57.6 | 2.9 | 67.5 | 3.5 | 76.9 | 4.1 |
| | 90 | 34.0 | 1.8 | 41.3 | 2.2 | 48.1 | 2.6 | 57.6 | 3.2 | 67.5 | 3.8 | 76.9 | 4.5 |
| | 95 | 34.0 | 2.0 | 41.3 | 2.4 | 48.1 | 2.9 | 57.6 | 3.5 | 67.5 | 4.2 | 76.9 | 4.9 |
| 100 | 34.0 | 2.1 | 41.3 | 2.6 | 48.1 | 3.1 | 57.6 | 3.8 | 67.5 | 4.5 | 76.9 | 5.3 | |
| 105 | 34.0 | 2.3 | 41.3 | 2.8 | 48.1 | 3.3 | 57.6 | 4.1 | 67.5 | 4.9 | 76.9 | 5.7 | |
| 110 | 34.0 | 2.5 | 41.3 | 3.0 | 48.1 | 3.6 | 57.6 | 4.4 | 67.5 | 5.2 | 76.9 | 6.1 | |
| 115 | 34.0 | 2.6 | 41.3 | 3.2 | 48.1 | 3.8 | 57.6 | 4.6 | 67.5 | 5.5 | 76.9 | 6.5 | |
| 118 | 34.0 | 2.7 | 41.3 | 3.3 | 48.1 | 3.9 | 57.6 | 4.8 | 67.5 | 5.7 | 70.6 | 6.1 | |
| 125 | 34.0 | 2.8 | 41.3 | 3.4 | 47.9 | 4.0 | 49.7 | 4.3 | 51.2 | 4.5 | 52.2 | 4.7 | |

NOTE - Power Input = Compressor + Outdoor Fan Motor.
 MBH = 1000 BTUs per hour.

COOLING CAPACITY - SINGLE MODULE | VRB072L4

| Combination (%) | Outdoor Temperature °F (Dry Bulb) | Indoor Temperature - °F (Dry Bulb / Wet Bulb) | | | | | | | | | | | |
|-----------------|-----------------------------------|---|-------------|------------|-------------|------------|-------------|------------|-------------|------------|-------------|------------|-------------|
| | | 67 / 57 | | 71 / 60 | | 75 / 63 | | 80 / 67 | | 85 / 71 | | 90 / 75 | |
| | | Total Cap. | Power Input | Total Cap. | Power Input | Total Cap. | Power Input | Total Cap. | Power Input | Total Cap. | Power Input | Total Cap. | Power Input |
| | | MBH | kW | MBH | kW | MBH | kW | MBH | kW | MBH | kW | MBH | kW |
| 70% | -10 | 29.7 | 0.7 | 36.1 | 0.9 | 42.1 | 1.0 | 50.4 | 1.2 | 59.1 | 1.5 | 67.3 | 1.7 |
| | -5 | 29.7 | 0.7 | 36.1 | 0.9 | 42.1 | 1.1 | 50.4 | 1.3 | 59.1 | 1.6 | 67.3 | 1.8 |
| | 10 | 29.7 | 0.8 | 36.1 | 0.9 | 42.1 | 1.1 | 50.4 | 1.3 | 59.1 | 1.6 | 67.3 | 1.9 |
| | 15 | 29.7 | 0.8 | 36.1 | 0.9 | 42.1 | 1.1 | 50.4 | 1.4 | 59.1 | 1.6 | 67.3 | 1.9 |
| | 20 | 29.7 | 0.8 | 36.1 | 1.0 | 42.1 | 1.1 | 50.4 | 1.4 | 59.1 | 1.7 | 67.3 | 1.9 |
| | 25 | 29.7 | 0.8 | 36.1 | 1.0 | 42.1 | 1.2 | 50.4 | 1.4 | 59.1 | 1.7 | 67.3 | 2.0 |
| | 30 | 29.7 | 0.8 | 36.1 | 1.0 | 42.1 | 1.2 | 50.4 | 1.5 | 59.1 | 1.7 | 67.3 | 2.0 |
| | 35 | 29.7 | 0.8 | 36.1 | 1.0 | 42.1 | 1.2 | 50.4 | 1.5 | 59.1 | 1.8 | 67.3 | 2.1 |
| | 40 | 29.7 | 0.9 | 36.1 | 1.1 | 42.1 | 1.3 | 50.4 | 1.5 | 59.1 | 1.8 | 67.3 | 2.1 |
| | 45 | 29.7 | 0.9 | 36.1 | 1.1 | 42.1 | 1.3 | 50.4 | 1.6 | 59.1 | 1.9 | 67.3 | 2.2 |
| | 50 | 29.7 | 0.9 | 36.1 | 1.1 | 42.1 | 1.3 | 50.4 | 1.6 | 59.1 | 1.9 | 67.3 | 2.2 |
| | 55 | 29.7 | 0.9 | 36.1 | 1.1 | 42.1 | 1.4 | 50.4 | 1.7 | 59.1 | 2.0 | 67.3 | 2.3 |
| | 60 | 29.7 | 1.0 | 36.1 | 1.2 | 42.1 | 1.4 | 50.4 | 1.7 | 59.1 | 2.0 | 67.3 | 2.4 |
| | 65 | 29.7 | 1.0 | 36.1 | 1.2 | 42.1 | 1.4 | 50.4 | 1.7 | 59.1 | 2.1 | 67.3 | 2.4 |
| | 70 | 29.7 | 1.1 | 36.1 | 1.3 | 42.1 | 1.6 | 50.4 | 1.9 | 59.1 | 2.3 | 67.3 | 2.7 |
| | 75 | 29.7 | 1.2 | 36.1 | 1.4 | 42.1 | 1.7 | 50.4 | 2.1 | 59.1 | 2.5 | 67.3 | 2.9 |
| | 80 | 29.7 | 1.3 | 36.1 | 1.6 | 42.1 | 1.9 | 50.4 | 2.3 | 59.1 | 2.7 | 67.3 | 3.2 |
| | 85 | 29.7 | 1.4 | 36.1 | 1.7 | 42.1 | 2.1 | 50.4 | 2.5 | 59.1 | 3.0 | 67.3 | 3.5 |
| | 90 | 29.7 | 1.6 | 36.1 | 1.9 | 42.1 | 2.3 | 50.4 | 2.7 | 59.1 | 3.3 | 67.3 | 3.8 |
| | 95 | 29.7 | 1.7 | 36.1 | 2.1 | 42.1 | 2.5 | 50.4 | 3.0 | 59.1 | 3.6 | 67.3 | 4.2 |
| 100 | 29.7 | 1.8 | 36.1 | 2.3 | 42.1 | 2.7 | 50.4 | 3.3 | 59.1 | 3.9 | 67.3 | 4.6 | |
| 105 | 29.7 | 2.0 | 36.1 | 2.4 | 42.1 | 2.9 | 50.4 | 3.5 | 59.1 | 4.2 | 67.3 | 4.9 | |
| 110 | 29.7 | 2.1 | 36.1 | 2.6 | 42.1 | 3.1 | 50.4 | 3.8 | 59.1 | 4.5 | 67.3 | 5.3 | |
| 115 | 29.7 | 2.3 | 36.1 | 2.8 | 42.1 | 3.3 | 50.4 | 4.0 | 59.1 | 4.8 | 67.3 | 5.6 | |
| 118 | 29.7 | 2.3 | 36.1 | 2.8 | 42.1 | 3.4 | 50.4 | 4.1 | 59.1 | 4.9 | 67.3 | 5.7 | |
| 125 | 29.7 | 2.4 | 36.1 | 3.0 | 42.1 | 3.5 | 49.7 | 4.2 | 51.2 | 4.4 | 52.2 | 4.6 | |
| 60% | -10 | 25.5 | 0.6 | 30.9 | 0.7 | 36.1 | 0.9 | 43.2 | 1.0 | 50.6 | 1.2 | 57.7 | 1.5 |
| | -5 | 25.5 | 0.6 | 30.9 | 0.8 | 36.1 | 0.9 | 43.2 | 1.1 | 50.6 | 1.3 | 57.7 | 1.5 |
| | 10 | 25.5 | 0.6 | 30.9 | 0.8 | 36.1 | 0.9 | 43.2 | 1.1 | 50.6 | 1.3 | 57.7 | 1.6 |
| | 15 | 25.5 | 0.7 | 30.9 | 0.8 | 36.1 | 0.9 | 43.2 | 1.2 | 50.6 | 1.4 | 57.7 | 1.6 |
| | 20 | 25.5 | 0.7 | 30.9 | 0.8 | 36.1 | 1.0 | 43.2 | 1.2 | 50.6 | 1.4 | 57.7 | 1.6 |
| | 25 | 25.5 | 0.7 | 30.9 | 0.8 | 36.1 | 1.0 | 43.2 | 1.2 | 50.6 | 1.4 | 57.7 | 1.7 |
| | 30 | 25.5 | 0.7 | 30.9 | 0.9 | 36.1 | 1.0 | 43.2 | 1.2 | 50.6 | 1.5 | 57.7 | 1.7 |
| | 35 | 25.5 | 0.7 | 30.9 | 0.9 | 36.1 | 1.0 | 43.2 | 1.3 | 50.6 | 1.5 | 57.7 | 1.8 |
| | 40 | 25.5 | 0.7 | 30.9 | 0.9 | 36.1 | 1.1 | 43.2 | 1.3 | 50.6 | 1.5 | 57.7 | 1.8 |
| | 45 | 25.5 | 0.7 | 30.9 | 0.9 | 36.1 | 1.1 | 43.2 | 1.3 | 50.6 | 1.6 | 57.7 | 1.9 |
| | 50 | 25.5 | 0.8 | 30.9 | 0.9 | 36.1 | 1.1 | 43.2 | 1.4 | 50.6 | 1.6 | 57.7 | 1.9 |
| | 55 | 25.5 | 0.8 | 30.9 | 1.0 | 36.1 | 1.1 | 43.2 | 1.4 | 50.6 | 1.7 | 57.7 | 2.0 |
| | 60 | 25.5 | 0.8 | 30.9 | 1.0 | 36.1 | 1.2 | 43.2 | 1.4 | 50.6 | 1.7 | 57.7 | 2.0 |
| | 65 | 25.5 | 0.8 | 30.9 | 1.0 | 36.1 | 1.2 | 43.2 | 1.5 | 50.6 | 1.8 | 57.7 | 2.1 |
| | 70 | 25.5 | 0.9 | 30.9 | 1.1 | 36.1 | 1.3 | 43.2 | 1.6 | 50.6 | 1.9 | 57.7 | 2.2 |
| | 75 | 25.5 | 1.0 | 30.9 | 1.2 | 36.1 | 1.4 | 43.2 | 1.8 | 50.6 | 2.1 | 57.7 | 2.5 |
| | 80 | 25.5 | 1.1 | 30.9 | 1.3 | 36.1 | 1.6 | 43.2 | 1.9 | 50.6 | 2.3 | 57.7 | 2.7 |
| | 85 | 25.5 | 1.2 | 30.9 | 1.5 | 36.1 | 1.7 | 43.2 | 2.1 | 50.6 | 2.5 | 57.7 | 3.0 |
| | 90 | 25.5 | 1.3 | 30.9 | 1.6 | 36.1 | 1.9 | 43.2 | 2.3 | 50.6 | 2.8 | 57.7 | 3.2 |
| | 95 | 25.5 | 1.4 | 30.9 | 1.8 | 36.1 | 2.1 | 43.2 | 2.5 | 50.6 | 3.0 | 57.7 | 3.5 |
| 100 | 25.5 | 1.6 | 30.9 | 1.9 | 36.1 | 2.3 | 43.2 | 2.8 | 50.6 | 3.3 | 57.7 | 3.9 | |
| 105 | 25.5 | 1.7 | 30.9 | 2.1 | 36.1 | 2.4 | 43.2 | 3.0 | 50.6 | 3.6 | 57.7 | 4.2 | |
| 110 | 25.5 | 1.8 | 30.9 | 2.2 | 36.1 | 2.6 | 43.2 | 3.2 | 50.6 | 3.8 | 57.7 | 4.5 | |
| 115 | 25.5 | 1.9 | 30.9 | 2.3 | 36.1 | 2.8 | 43.2 | 3.4 | 50.6 | 4.0 | 57.7 | 4.7 | |
| 118 | 25.5 | 2.0 | 30.9 | 2.4 | 36.1 | 2.8 | 43.2 | 3.5 | 50.6 | 4.1 | 57.7 | 4.8 | |
| 125 | 25.5 | 2.0 | 30.9 | 2.5 | 36.1 | 3.0 | 43.2 | 3.6 | 50.6 | 4.3 | 52.2 | 4.6 | |

NOTE - Power Input = Compressor + Outdoor Fan Motor.
 MBH = 1000 BTUs per hour.

COOLING CAPACITY - SINGLE MODULE | VRB072L4

| Combination (%) | Outdoor Temperature °F (Dry Bulb) | Indoor Temperature - °F (Dry Bulb / Wet Bulb) | | | | | | | | | | | |
|-----------------|-----------------------------------|---|-------------|------------|-------------|------------|-------------|------------|-------------|------------|-------------|------------|-------------|
| | | 67 / 57 | | 71 / 60 | | 75 / 63 | | 80 / 67 | | 85 / 71 | | 90 / 75 | |
| | | Total Cap. | Power Input | Total Cap. | Power Input | Total Cap. | Power Input | Total Cap. | Power Input | Total Cap. | Power Input | Total Cap. | Power Input |
| | | MBH | kW | MBH | kW | MBH | kW | MBH | kW | MBH | kW | MBH | kW |
| 50% | -10 | 21.2 | 0.5 | 25.8 | 0.6 | 30.1 | 0.7 | 36.0 | 0.9 | 42.2 | 1.0 | 48.1 | 1.2 |
| | -5 | 21.2 | 0.5 | 25.8 | 0.6 | 30.1 | 0.7 | 36.0 | 0.9 | 42.2 | 1.1 | 48.1 | 1.3 |
| | 10 | 21.2 | 0.5 | 25.8 | 0.6 | 30.1 | 0.8 | 36.0 | 0.9 | 42.2 | 1.1 | 48.1 | 1.3 |
| | 15 | 21.2 | 0.5 | 25.8 | 0.7 | 30.1 | 0.8 | 36.0 | 0.9 | 42.2 | 1.1 | 48.1 | 1.3 |
| | 20 | 21.2 | 0.5 | 25.8 | 0.7 | 30.1 | 0.8 | 36.0 | 1.0 | 42.2 | 1.2 | 48.1 | 1.4 |
| | 25 | 21.2 | 0.6 | 25.8 | 0.7 | 30.1 | 0.8 | 36.0 | 1.0 | 42.2 | 1.2 | 48.1 | 1.4 |
| | 30 | 21.2 | 0.6 | 25.8 | 0.7 | 30.1 | 0.8 | 36.0 | 1.0 | 42.2 | 1.2 | 48.1 | 1.4 |
| | 35 | 21.2 | 0.6 | 25.8 | 0.7 | 30.1 | 0.9 | 36.0 | 1.0 | 42.2 | 1.2 | 48.1 | 1.4 |
| | 40 | 21.2 | 0.6 | 25.8 | 0.7 | 30.1 | 0.9 | 36.0 | 1.1 | 42.2 | 1.3 | 48.1 | 1.5 |
| | 45 | 21.2 | 0.6 | 25.8 | 0.8 | 30.1 | 0.9 | 36.0 | 1.1 | 42.2 | 1.3 | 48.1 | 1.5 |
| | 50 | 21.2 | 0.6 | 25.8 | 0.8 | 30.1 | 0.9 | 36.0 | 1.1 | 42.2 | 1.3 | 48.1 | 1.6 |
| | 55 | 21.2 | 0.6 | 25.8 | 0.8 | 30.1 | 0.9 | 36.0 | 1.1 | 42.2 | 1.4 | 48.1 | 1.6 |
| | 60 | 21.2 | 0.7 | 25.8 | 0.8 | 30.1 | 1.0 | 36.0 | 1.2 | 42.2 | 1.4 | 48.1 | 1.6 |
| | 65 | 21.2 | 0.7 | 25.8 | 0.8 | 30.1 | 1.0 | 36.0 | 1.2 | 42.2 | 1.4 | 48.1 | 1.7 |
| | 70 | 21.2 | 0.7 | 25.8 | 0.9 | 30.1 | 1.1 | 36.0 | 1.3 | 42.2 | 1.6 | 48.1 | 1.8 |
| | 75 | 21.2 | 0.8 | 25.8 | 1.0 | 30.1 | 1.2 | 36.0 | 1.4 | 42.2 | 1.7 | 48.1 | 2.0 |
| | 80 | 21.2 | 0.9 | 25.8 | 1.1 | 30.1 | 1.3 | 36.0 | 1.6 | 42.2 | 1.9 | 48.1 | 2.2 |
| | 85 | 21.2 | 1.0 | 25.8 | 1.2 | 30.1 | 1.4 | 36.0 | 1.7 | 42.2 | 2.1 | 48.1 | 2.4 |
| 90 | 21.2 | 1.1 | 25.8 | 1.3 | 30.1 | 1.6 | 36.0 | 1.9 | 42.2 | 2.3 | 48.1 | 2.7 | |
| 95 | 21.2 | 1.2 | 25.8 | 1.4 | 30.1 | 1.7 | 36.0 | 2.1 | 42.2 | 2.5 | 48.1 | 2.9 | |
| 100 | 21.2 | 1.3 | 25.8 | 1.6 | 30.1 | 1.9 | 36.0 | 2.3 | 42.2 | 2.7 | 48.1 | 3.2 | |
| 105 | 21.2 | 1.4 | 25.8 | 1.7 | 30.1 | 2.0 | 36.0 | 2.4 | 42.2 | 2.9 | 48.1 | 3.4 | |
| 110 | 21.2 | 1.5 | 25.8 | 1.8 | 30.1 | 2.1 | 36.0 | 2.6 | 42.2 | 3.1 | 48.1 | 3.7 | |
| 115 | 21.2 | 1.6 | 25.8 | 1.9 | 30.1 | 2.3 | 36.0 | 2.8 | 42.2 | 3.3 | 48.1 | 3.9 | |
| 118 | 21.2 | 1.6 | 25.8 | 2.0 | 30.1 | 2.3 | 36.0 | 2.8 | 42.2 | 3.4 | 48.1 | 4.0 | |
| 125 | 21.2 | 1.7 | 25.8 | 2.1 | 30.1 | 2.4 | 36.0 | 3.0 | 42.2 | 3.6 | 48.1 | 4.2 | |

NOTE - Power Input = Compressor + Outdoor Fan Motor.
 MBH = 1000 BTUs per hour.

HEATING CAPACITY - SINGLE MODULE | VRB072L4

| Combination (%) | Outdoor Temperature (°F) | | Indoor Temperature - °F Dry Bulb | | | | | | | | | | | |
|-----------------|--------------------------|----------|----------------------------------|-------------|------------|-------------|------------|-------------|------------|-------------|------------|-------------|------------|-------------|
| | | | 61 | | 64 | | 67 | | 70 | | 73 | | 75 | |
| | Dry Bulb | Wet Bulb | Total Cap. | Power Input | Total Cap. | Power Input | Total Cap. | Power Input | Total Cap. | Power Input | Total Cap. | Power Input | Total Cap. | Power Input |
| 130% | -22 | -23 | 53.7 | 9.10 | 52.6 | 9.23 | 51.7 | 9.36 | 50.7 | 9.50 | 49.9 | 9.66 | 49.3 | 9.76 |
| | -17 | -18 | 66.4 | 9.30 | 64.8 | 9.47 | 63.4 | 9.64 | 62.0 | 9.82 | 60.7 | 10.00 | 60.0 | 10.13 |
| | -13 | -14 | 78.6 | 9.54 | 76.5 | 9.73 | 74.7 | 9.91 | 73.0 | 10.11 | 71.4 | 10.32 | 70.5 | 10.46 |
| | -8 | -9 | 84.0 | 9.67 | 81.9 | 9.87 | 80.1 | 10.06 | 78.4 | 10.27 | 76.9 | 10.48 | 76.0 | 10.63 |
| | -3 | -4 | 86.4 | 9.76 | 84.4 | 9.96 | 82.8 | 10.16 | 81.3 | 10.38 | 79.9 | 10.61 | 79.2 | 10.76 |
| | 2 | 1 | 88.3 | 10.09 | 86.6 | 10.30 | 85.1 | 10.51 | 83.8 | 10.75 | 82.7 | 10.99 | 82.1 | 11.15 |
| | 7 | 6 | 90.8 | 10.30 | 89.3 | 10.53 | 88.1 | 10.75 | 86.9 | 10.99 | 86.0 | 11.25 | 85.5 | 11.42 |
| | 12 | 10 | 93.7 | 10.49 | 92.4 | 10.72 | 91.3 | 10.95 | 90.3 | 11.21 | 89.4 | 11.47 | 89.0 | 11.65 |
| | 17 | 15 | 98.4 | 10.74 | 97.2 | 10.99 | 96.3 | 11.23 | 95.4 | 11.50 | 94.7 | 11.77 | 94.3 | 11.66 |
| | 22 | 20 | 103.8 | 11.02 | 102.8 | 11.27 | 102.0 | 11.52 | 101.2 | 11.80 | 98.6 | 11.23 | 94.3 | 10.33 |
| | 27 | 24 | 109.0 | 11.27 | 108.1 | 11.54 | 107.3 | 11.80 | 105.3 | 11.38 | 98.6 | 10.07 | 94.3 | 9.24 |
| | 32 | 29 | 115.7 | 11.60 | 114.9 | 11.87 | 112.0 | 11.22 | 105.3 | 10.02 | 98.6 | 8.85 | 94.3 | 8.11 |
| | 37 | 34 | 124.9 | 12.00 | 118.2 | 10.86 | 112.0 | 9.83 | 105.3 | 8.77 | 98.6 | 7.77 | 94.3 | 7.20 |
| | 42 | 38 | 124.9 | 10.84 | 118.2 | 9.82 | 112.0 | 8.90 | 105.3 | 7.94 | 98.6 | 7.15 | 94.3 | 6.74 |
| | 47 | 43 | 124.9 | 9.57 | 118.2 | 8.67 | 112.0 | 7.87 | 105.3 | 7.15 | 98.6 | 6.57 | 94.3 | 6.18 |
| | 52 | 47 | 124.9 | 8.72 | 118.2 | 7.91 | 112.0 | 7.25 | 105.3 | 6.68 | 98.6 | 6.12 | 94.3 | 5.77 |
| | 57 | 52 | 124.9 | 7.75 | 118.2 | 7.14 | 112.0 | 6.63 | 105.3 | 6.09 | 98.6 | 5.57 | 94.3 | 5.24 |
| | 62 | 56 | 124.9 | 7.14 | 118.2 | 6.63 | 112.0 | 6.14 | 105.3 | 5.65 | 98.6 | 5.15 | 94.3 | 4.84 |
| | 67 | 61 | 124.9 | 6.49 | 118.2 | 6.00 | 112.0 | 5.55 | 105.3 | 5.10 | 98.6 | 4.66 | 94.3 | 4.46 |
| | 72 | 66 | 124.9 | 5.85 | 118.2 | 5.40 | 112.0 | 5.00 | 105.3 | 4.59 | 98.6 | 4.29 | 94.3 | 4.09 |
| 75 | 69 | 124.9 | 5.47 | 118.2 | 5.04 | 112.0 | 4.66 | 105.3 | 4.36 | 98.6 | 4.06 | 94.3 | 3.88 | |
| 80 | 74 | 124.9 | 4.91 | 118.2 | 4.51 | 112.0 | 4.24 | 105.3 | 3.97 | 98.6 | 3.71 | 94.3 | 3.55 | |
| 120% | -22 | -23 | 52.9 | 9.17 | 51.8 | 9.30 | 50.9 | 9.43 | 50.1 | 9.58 | 49.2 | 9.73 | 48.7 | 9.84 |
| | -17 | -18 | 65.1 | 9.41 | 63.6 | 9.58 | 62.3 | 9.75 | 61.0 | 9.93 | 59.8 | 10.12 | 59.1 | 10.24 |
| | -13 | -14 | 76.7 | 9.68 | 74.8 | 9.87 | 73.2 | 10.06 | 71.6 | 10.26 | 70.2 | 10.47 | 69.4 | 10.61 |
| | -8 | -9 | 82.0 | 9.83 | 80.1 | 10.03 | 78.5 | 10.22 | 77.0 | 10.43 | 75.7 | 10.66 | 74.9 | 10.81 |
| | -3 | -4 | 84.5 | 9.93 | 82.7 | 10.14 | 81.3 | 10.34 | 79.9 | 10.56 | 78.8 | 10.79 | 78.2 | 10.95 |
| | 2 | 1 | 86.6 | 10.27 | 85.0 | 10.49 | 83.8 | 10.71 | 82.6 | 10.95 | 81.7 | 11.20 | 81.2 | 11.37 |
| | 7 | 6 | 89.2 | 10.50 | 87.9 | 10.74 | 86.8 | 10.96 | 85.9 | 11.21 | 85.1 | 11.48 | 84.7 | 11.66 |
| | 12 | 10 | 92.2 | 10.70 | 91.1 | 10.94 | 90.1 | 11.18 | 89.3 | 11.44 | 88.6 | 11.72 | 87.1 | 11.28 |
| | 17 | 15 | 97.0 | 10.98 | 96.0 | 11.23 | 95.2 | 11.48 | 94.5 | 11.76 | 91.1 | 10.90 | 87.1 | 10.03 |
| | 22 | 20 | 102.5 | 11.28 | 101.7 | 11.54 | 100.9 | 11.80 | 97.2 | 10.87 | 91.1 | 9.61 | 87.1 | 8.81 |
| | 27 | 24 | 107.8 | 11.56 | 109.1 | 12.07 | 103.3 | 10.92 | 97.2 | 9.75 | 91.1 | 8.60 | 87.1 | 7.85 |
| | 32 | 29 | 115.3 | 11.74 | 109.1 | 10.62 | 103.3 | 9.60 | 97.2 | 8.56 | 91.1 | 7.53 | 87.1 | 7.00 |
| | 37 | 34 | 115.3 | 10.29 | 109.1 | 9.32 | 103.3 | 8.41 | 97.2 | 7.50 | 91.1 | 6.84 | 87.1 | 6.45 |
| | 42 | 38 | 115.3 | 9.30 | 109.1 | 8.42 | 103.3 | 7.62 | 97.2 | 6.97 | 91.1 | 6.41 | 87.1 | 6.04 |
| | 47 | 43 | 115.3 | 8.21 | 109.1 | 7.45 | 103.3 | 6.92 | 97.2 | 6.40 | 91.1 | 5.87 | 87.1 | 5.53 |
| | 52 | 47 | 115.3 | 7.49 | 109.1 | 6.93 | 103.3 | 6.45 | 97.2 | 5.96 | 91.1 | 5.45 | 87.1 | 5.15 |
| | 57 | 52 | 115.3 | 6.82 | 109.1 | 6.33 | 103.3 | 5.88 | 97.2 | 5.41 | 91.1 | 4.96 | 87.1 | 4.69 |
| | 62 | 56 | 115.3 | 6.32 | 109.1 | 5.87 | 103.3 | 5.45 | 97.2 | 5.02 | 91.1 | 4.62 | 87.1 | 4.42 |
| | 67 | 61 | 115.3 | 5.71 | 109.1 | 5.30 | 103.3 | 4.92 | 97.2 | 4.55 | 91.1 | 4.27 | 87.1 | 4.08 |
| | 72 | 66 | 115.3 | 5.14 | 109.1 | 4.75 | 103.3 | 4.45 | 97.2 | 4.18 | 91.1 | 3.92 | 87.1 | 3.76 |
| 75 | 69 | 115.3 | 4.80 | 109.1 | 4.46 | 103.3 | 4.22 | 97.2 | 3.96 | 91.1 | 3.71 | 87.1 | 3.56 | |
| 80 | 74 | 115.3 | 4.32 | 109.1 | 4.08 | 103.3 | 3.86 | 97.2 | 3.62 | 91.1 | 3.40 | 87.1 | 3.23 | |

NOTE - Power Input = Compressor + Outdoor Fan Motor.
 MBH = 1000 BTUs per hour.

HEATING CAPACITY - SINGLE MODULE | VRB072L4

| Combination (%) | Outdoor Temperature (°F) | | Indoor Temperature - °F Dry Bulb | | | | | | | | | | | |
|-----------------|--------------------------|----------|----------------------------------|----------------|----------------|----------------|----------------|----------------|----------------|----------------|----------------|----------------|----------------|----------------|
| | | | 61 | | 64 | | 67 | | 70 | | 73 | | 75 | |
| | Dry Bulb | Wet Bulb | Total Cap. MBH | Power Input kW | Total Cap. MBH | Power Input kW | Total Cap. MBH | Power Input kW | Total Cap. MBH | Power Input kW | Total Cap. MBH | Power Input kW | Total Cap. MBH | Power Input kW |
| 110% | -22 | -23 | 52.0 | 9.25 | 51.0 | 9.38 | 50.2 | 9.52 | 49.4 | 9.67 | 48.6 | 9.83 | 48.1 | 9.93 |
| | -17 | -18 | 63.7 | 9.54 | 62.3 | 9.71 | 61.1 | 9.88 | 59.9 | 10.06 | 58.9 | 10.25 | 58.2 | 10.38 |
| | -13 | -14 | 74.8 | 9.85 | 73.1 | 10.04 | 71.6 | 10.23 | 70.2 | 10.43 | 69.0 | 10.65 | 68.3 | 10.79 |
| | -8 | -9 | 80.0 | 10.02 | 78.3 | 10.22 | 76.9 | 10.41 | 75.6 | 10.63 | 74.5 | 10.86 | 73.9 | 11.02 |
| | -3 | -4 | 82.6 | 10.13 | 81.0 | 10.34 | 79.8 | 10.55 | 78.7 | 10.78 | 77.7 | 11.02 | 77.3 | 11.19 |
| | 2 | 1 | 84.8 | 10.49 | 83.5 | 10.72 | 82.4 | 10.94 | 81.5 | 11.19 | 80.7 | 11.45 | 79.8 | 11.25 |
| | 7 | 6 | 87.6 | 10.74 | 86.5 | 10.98 | 85.6 | 11.22 | 84.9 | 11.48 | 83.5 | 11.26 | 79.8 | 10.44 |
| | 12 | 10 | 90.8 | 10.96 | 89.8 | 11.21 | 89.0 | 11.46 | 89.1 | 11.67 | 83.5 | 10.41 | 79.8 | 9.60 |
| | 17 | 15 | 95.7 | 11.27 | 94.8 | 11.53 | 94.7 | 11.64 | 89.1 | 10.41 | 83.5 | 9.21 | 79.8 | 8.42 |
| | 22 | 20 | 101.3 | 11.60 | 100.0 | 11.38 | 94.7 | 10.30 | 89.1 | 9.16 | 83.5 | 8.05 | 79.8 | 7.34 |
| | 27 | 24 | 105.7 | 11.29 | 100.0 | 10.21 | 94.7 | 9.22 | 89.1 | 8.18 | 83.5 | 7.16 | 79.8 | 6.74 |
| | 32 | 29 | 105.7 | 9.93 | 100.0 | 8.97 | 94.7 | 8.08 | 89.1 | 7.16 | 83.5 | 6.60 | 79.8 | 6.24 |
| | 37 | 34 | 105.7 | 8.69 | 100.0 | 7.84 | 94.7 | 7.14 | 89.1 | 6.61 | 83.5 | 6.07 | 79.8 | 5.75 |
| | 42 | 38 | 105.7 | 7.86 | 100.0 | 7.17 | 94.7 | 6.69 | 89.1 | 6.18 | 83.5 | 5.68 | 79.8 | 5.36 |
| | 47 | 43 | 105.7 | 7.05 | 100.0 | 6.56 | 94.7 | 6.13 | 89.1 | 5.65 | 83.5 | 5.19 | 79.8 | 4.90 |
| | 52 | 47 | 105.7 | 6.58 | 100.0 | 6.13 | 94.7 | 5.70 | 89.1 | 5.26 | 83.5 | 4.82 | 79.8 | 4.60 |
| | 57 | 52 | 105.7 | 5.99 | 100.0 | 5.57 | 94.7 | 5.18 | 89.1 | 4.77 | 83.5 | 4.46 | 79.8 | 4.27 |
| | 62 | 56 | 105.7 | 5.55 | 100.0 | 5.15 | 94.7 | 4.78 | 89.1 | 4.47 | 83.5 | 4.21 | 79.8 | 4.03 |
| | 67 | 61 | 105.7 | 5.00 | 100.0 | 4.64 | 94.7 | 4.38 | 89.1 | 4.13 | 83.5 | 3.89 | 79.8 | 3.72 |
| | 72 | 66 | 105.7 | 4.49 | 100.0 | 4.24 | 94.7 | 4.02 | 89.1 | 3.79 | 83.5 | 3.56 | 79.8 | 3.42 |
| 75 | 69 | 105.7 | 4.25 | 100.0 | 4.02 | 94.7 | 3.81 | 89.1 | 3.59 | 83.5 | 3.38 | 79.8 | 3.24 | |
| 80 | 74 | 105.7 | 3.87 | 100.0 | 3.67 | 94.7 | 3.47 | 89.1 | 3.28 | 83.5 | 3.06 | 79.8 | 2.92 | |
| 100% | -22 | -23 | 51.1 | 9.34 | 50.2 | 9.48 | 49.4 | 9.62 | 48.6 | 9.78 | 47.9 | 9.94 | 47.5 | 10.05 |
| | -17 | -18 | 62.3 | 9.69 | 61.0 | 9.86 | 59.9 | 10.03 | 58.8 | 10.22 | 57.9 | 10.42 | 57.3 | 10.55 |
| | -13 | -14 | 72.8 | 10.05 | 71.3 | 10.24 | 70.0 | 10.43 | 68.9 | 10.64 | 67.8 | 10.86 | 67.3 | 11.01 |
| | -8 | -9 | 77.9 | 10.24 | 76.5 | 10.45 | 75.3 | 10.65 | 74.2 | 10.87 | 73.4 | 11.11 | 72.6 | 11.06 |
| | -3 | -4 | 80.6 | 10.37 | 79.4 | 10.59 | 78.3 | 10.81 | 77.5 | 11.05 | 75.9 | 10.89 | 72.6 | 10.26 |
| | 2 | 1 | 83.1 | 10.76 | 82.0 | 11.00 | 81.2 | 11.23 | 81.0 | 11.42 | 75.9 | 10.36 | 72.6 | 9.65 |
| | 7 | 6 | 86.1 | 11.04 | 85.2 | 11.29 | 86.1 | 11.75 | 81.0 | 10.63 | 75.9 | 9.50 | 72.6 | 8.78 |
| | 12 | 10 | 89.3 | 11.28 | 88.6 | 11.54 | 86.1 | 10.91 | 81.0 | 9.80 | 75.9 | 8.68 | 72.6 | 7.95 |
| | 17 | 15 | 96.1 | 11.79 | 90.9 | 10.71 | 86.1 | 9.69 | 81.0 | 8.62 | 75.9 | 7.55 | 72.6 | 6.85 |
| | 22 | 20 | 96.1 | 10.46 | 90.9 | 9.45 | 86.1 | 8.51 | 81.0 | 7.51 | 75.9 | 6.71 | 72.6 | 6.34 |
| | 27 | 24 | 96.1 | 9.37 | 90.9 | 8.44 | 86.1 | 7.57 | 81.0 | 6.81 | 75.9 | 6.28 | 72.6 | 5.95 |
| | 32 | 29 | 96.1 | 8.21 | 90.9 | 7.38 | 86.1 | 6.81 | 81.0 | 6.31 | 75.9 | 5.81 | 72.6 | 5.49 |
| | 37 | 34 | 96.1 | 7.18 | 90.9 | 6.71 | 86.1 | 6.27 | 81.0 | 5.80 | 75.9 | 5.34 | 72.6 | 5.04 |
| | 42 | 38 | 96.1 | 6.72 | 90.9 | 6.27 | 86.1 | 5.86 | 81.0 | 5.42 | 75.9 | 4.99 | 72.6 | 4.70 |
| | 47 | 43 | 96.1 | 6.16 | 90.9 | 5.74 | 86.1 | 5.35 | 81.0 | 4.95 | 75.9 | 4.58 | 72.6 | 4.40 |
| | 52 | 47 | 96.1 | 5.73 | 90.9 | 5.34 | 86.1 | 4.97 | 81.0 | 4.61 | 75.9 | 4.34 | 72.6 | 4.17 |
| | 57 | 52 | 96.1 | 5.20 | 90.9 | 4.84 | 86.1 | 4.54 | 81.0 | 4.29 | 75.9 | 4.04 | 72.6 | 3.88 |
| | 62 | 56 | 96.1 | 4.80 | 90.9 | 4.51 | 86.1 | 4.27 | 81.0 | 4.04 | 75.9 | 3.80 | 72.6 | 3.66 |
| | 67 | 61 | 96.1 | 4.37 | 90.9 | 4.15 | 86.1 | 3.95 | 81.0 | 3.73 | 75.9 | 3.51 | 72.6 | 3.38 |
| | 72 | 66 | 96.1 | 4.01 | 90.9 | 3.81 | 86.1 | 3.62 | 81.0 | 3.42 | 75.9 | 3.22 | 72.6 | 3.10 |
| 75 | 69 | 96.1 | 3.80 | 90.9 | 3.60 | 86.1 | 3.42 | 81.0 | 3.24 | 75.9 | 3.05 | 72.6 | 2.94 | |
| 80 | 74 | 96.1 | 3.46 | 90.9 | 3.29 | 86.1 | 3.11 | 81.0 | 2.92 | 75.9 | 2.74 | 72.6 | 2.63 | |

NOTE - Power Input = Compressor + Outdoor Fan Motor.
 MBH = 1000 BTUs per hour.

HEATING CAPACITY - SINGLE MODULE | VRB072L4

| Combination (%) | Outdoor Temperature (°F) | | Indoor Temperature - °F Dry Bulb | | | | | | | | | | | |
|-----------------|--------------------------|----------|----------------------------------|----------------|----------------|----------------|----------------|----------------|----------------|----------------|----------------|----------------|----------------|----------------|
| | | | 61 | | 64 | | 67 | | 70 | | 73 | | 75 | |
| | Dry Bulb | Wet Bulb | Total Cap. MBH | Power Input kW | Total Cap. MBH | Power Input kW | Total Cap. MBH | Power Input kW | Total Cap. MBH | Power Input kW | Total Cap. MBH | Power Input kW | Total Cap. MBH | Power Input kW |
| 90% | -22 | -23 | 50.1 | 9.46 | 49.3 | 9.61 | 48.6 | 9.75 | 47.8 | 9.91 | 47.2 | 10.08 | 46.8 | 10.19 |
| | -17 | -18 | 60.8 | 9.87 | 59.6 | 10.05 | 58.6 | 10.23 | 57.7 | 10.42 | 56.9 | 10.62 | 56.4 | 10.75 |
| | -13 | -14 | 70.8 | 10.29 | 69.5 | 10.49 | 68.5 | 10.68 | 67.5 | 10.90 | 66.7 | 11.13 | 65.3 | 10.96 |
| | -8 | -9 | 75.9 | 10.51 | 74.7 | 10.73 | 73.8 | 10.94 | 72.9 | 11.01 | 68.3 | 10.25 | 65.3 | 9.72 |
| | -3 | -4 | 78.8 | 10.67 | 77.8 | 10.90 | 77.5 | 11.07 | 72.9 | 10.23 | 68.3 | 9.36 | 65.3 | 8.78 |
| | 2 | 1 | 81.4 | 11.10 | 81.8 | 11.46 | 77.5 | 10.60 | 72.9 | 9.64 | 68.3 | 8.68 | 65.3 | 8.03 |
| | 7 | 6 | 86.5 | 11.66 | 81.8 | 10.71 | 77.5 | 9.78 | 72.9 | 8.78 | 68.3 | 7.76 | 65.3 | 7.09 |
| | 12 | 10 | 86.5 | 10.86 | 81.8 | 9.88 | 77.5 | 8.95 | 72.9 | 7.95 | 68.3 | 6.95 | 65.3 | 6.44 |
| | 17 | 15 | 86.5 | 9.66 | 81.8 | 8.70 | 77.5 | 7.81 | 72.9 | 6.87 | 68.3 | 6.30 | 65.3 | 5.96 |
| | 22 | 20 | 86.5 | 8.48 | 81.8 | 7.59 | 77.5 | 6.82 | 72.9 | 6.33 | 68.3 | 5.84 | 65.3 | 5.53 |
| | 27 | 24 | 86.5 | 7.54 | 81.8 | 6.83 | 77.5 | 6.39 | 72.9 | 5.93 | 68.3 | 5.47 | 65.3 | 5.17 |
| | 32 | 29 | 86.5 | 6.76 | 81.8 | 6.31 | 77.5 | 5.90 | 72.9 | 5.47 | 68.3 | 5.05 | 65.3 | 4.76 |
| | 37 | 34 | 86.5 | 6.22 | 81.8 | 5.80 | 77.5 | 5.43 | 72.9 | 5.02 | 68.3 | 4.62 | 65.3 | 4.44 |
| | 42 | 38 | 86.5 | 5.81 | 81.8 | 5.42 | 77.5 | 5.06 | 72.9 | 4.68 | 68.3 | 4.40 | 65.3 | 4.23 |
| | 47 | 43 | 86.5 | 5.30 | 81.8 | 4.95 | 77.5 | 4.62 | 72.9 | 4.37 | 68.3 | 4.12 | 65.3 | 3.96 |
| | 52 | 47 | 86.5 | 4.92 | 81.8 | 4.59 | 77.5 | 4.37 | 72.9 | 4.13 | 68.3 | 3.90 | 65.3 | 3.75 |
| | 57 | 52 | 86.5 | 4.49 | 81.8 | 4.27 | 77.5 | 4.06 | 72.9 | 3.85 | 68.3 | 3.63 | 65.3 | 3.49 |
| | 62 | 56 | 86.5 | 4.23 | 81.8 | 4.02 | 77.5 | 3.83 | 72.9 | 3.62 | 68.3 | 3.42 | 65.3 | 3.29 |
| | 67 | 61 | 86.5 | 3.89 | 81.8 | 3.70 | 77.5 | 3.53 | 72.9 | 3.34 | 68.3 | 3.16 | 65.3 | 3.04 |
| | 72 | 66 | 86.5 | 3.56 | 81.8 | 3.40 | 77.5 | 3.23 | 72.9 | 3.06 | 68.3 | 2.90 | 65.3 | 2.79 |
| 75 | 69 | 86.5 | 3.37 | 81.8 | 3.21 | 77.5 | 3.06 | 72.9 | 2.91 | 68.3 | 2.75 | 65.3 | 2.65 | |
| 80 | 74 | 86.5 | 3.05 | 81.8 | 2.89 | 77.5 | 2.74 | 72.9 | 2.59 | 68.3 | 2.45 | 65.3 | 2.37 | |
| 80% | -22 | -23 | 49.1 | 9.62 | 48.3 | 9.77 | 47.6 | 9.92 | 47.0 | 10.08 | 46.4 | 10.26 | 46.0 | 10.37 |
| | -17 | -18 | 59.1 | 10.10 | 58.2 | 10.29 | 57.3 | 10.47 | 56.5 | 10.66 | 55.8 | 10.87 | 55.4 | 11.01 |
| | -13 | -14 | 68.8 | 10.59 | 67.8 | 10.80 | 66.9 | 11.01 | 64.8 | 10.78 | 60.7 | 10.12 | 58.1 | 9.67 |
| | -8 | -9 | 73.9 | 10.87 | 72.7 | 10.85 | 68.9 | 10.24 | 64.8 | 9.54 | 60.7 | 8.81 | 58.1 | 8.32 |
| | -3 | -4 | 76.8 | 10.80 | 72.7 | 10.07 | 68.9 | 9.37 | 64.8 | 8.59 | 60.7 | 7.78 | 58.1 | 7.25 |
| | 2 | 1 | 76.8 | 10.32 | 72.7 | 9.50 | 68.9 | 8.71 | 64.8 | 7.85 | 60.7 | 6.97 | 58.1 | 6.39 |
| | 7 | 6 | 76.8 | 9.50 | 72.7 | 8.64 | 68.9 | 7.81 | 64.8 | 6.92 | 60.7 | 6.20 | 58.1 | 5.87 |
| | 12 | 10 | 76.8 | 8.69 | 72.7 | 7.83 | 68.9 | 7.01 | 64.8 | 6.32 | 60.7 | 5.84 | 58.1 | 5.53 |
| | 17 | 15 | 76.8 | 7.58 | 72.7 | 6.76 | 68.9 | 6.30 | 64.8 | 5.85 | 60.7 | 5.41 | 58.1 | 5.12 |
| | 22 | 20 | 76.8 | 6.66 | 72.7 | 6.23 | 68.9 | 5.84 | 64.8 | 5.42 | 60.7 | 5.00 | 58.1 | 4.73 |
| | 27 | 24 | 76.8 | 6.24 | 72.7 | 5.84 | 68.9 | 5.47 | 64.8 | 5.07 | 60.7 | 4.67 | 58.1 | 4.44 |
| | 32 | 29 | 76.8 | 5.76 | 72.7 | 5.39 | 68.9 | 5.04 | 64.8 | 4.67 | 60.7 | 4.37 | 58.1 | 4.20 |
| | 37 | 34 | 76.8 | 5.29 | 72.7 | 4.94 | 68.9 | 4.61 | 64.8 | 4.36 | 60.7 | 4.11 | 58.1 | 3.96 |
| | 42 | 38 | 76.8 | 4.93 | 72.7 | 4.60 | 68.9 | 4.37 | 64.8 | 4.15 | 60.7 | 3.92 | 58.1 | 3.77 |
| | 47 | 43 | 76.8 | 4.51 | 72.7 | 4.30 | 68.9 | 4.10 | 64.8 | 3.89 | 60.7 | 3.67 | 58.1 | 3.54 |
| | 52 | 47 | 76.8 | 4.27 | 72.7 | 4.06 | 68.9 | 3.88 | 64.8 | 3.68 | 60.7 | 3.48 | 58.1 | 3.35 |
| | 57 | 52 | 76.8 | 3.96 | 72.7 | 3.78 | 68.9 | 3.60 | 64.8 | 3.42 | 60.7 | 3.24 | 58.1 | 3.12 |
| | 62 | 56 | 76.8 | 3.73 | 72.7 | 3.56 | 68.9 | 3.40 | 64.8 | 3.23 | 60.7 | 3.05 | 58.1 | 2.94 |
| | 67 | 61 | 76.8 | 3.43 | 72.7 | 3.28 | 68.9 | 3.13 | 64.8 | 2.97 | 60.7 | 2.82 | 58.1 | 2.72 |
| | 72 | 66 | 76.8 | 3.14 | 72.7 | 3.01 | 68.9 | 2.87 | 64.8 | 2.73 | 60.7 | 2.59 | 58.1 | 2.50 |
| 75 | 69 | 76.8 | 2.97 | 72.7 | 2.84 | 68.9 | 2.72 | 64.8 | 2.59 | 60.7 | 2.45 | 58.1 | 2.40 | |
| 80 | 74 | 76.8 | 2.66 | 72.7 | 2.53 | 68.9 | 2.42 | 64.8 | 2.30 | 60.7 | 2.20 | 58.1 | 2.17 | |

NOTE - Power Input = Compressor + Outdoor Fan Motor.
 MBH = 1000 BTUs per hour.

HEATING CAPACITY - SINGLE MODULE | VRB072L4

| Combination (%) | Outdoor Temperature (°F) | | Indoor Temperature - °F Dry Bulb | | | | | | | | | | | |
|-----------------|--------------------------|----------|----------------------------------|----------------|----------------|----------------|----------------|----------------|----------------|----------------|----------------|----------------|----------------|----------------|
| | | | 61 | | 64 | | 67 | | 70 | | 73 | | 75 | |
| | Dry Bulb | Wet Bulb | Total Cap. MBH | Power Input kW | Total Cap. MBH | Power Input kW | Total Cap. MBH | Power Input kW | Total Cap. MBH | Power Input kW | Total Cap. MBH | Power Input kW | Total Cap. MBH | Power Input kW |
| 70% | -22 | -23 | 47.9 | 9.82 | 47.3 | 9.98 | 46.7 | 10.13 | 46.1 | 10.31 | 45.6 | 10.49 | 45.3 | 10.61 |
| | -17 | -18 | 57.5 | 10.40 | 56.6 | 10.59 | 56.0 | 10.78 | 55.3 | 10.99 | 53.1 | 10.66 | 50.8 | 10.23 |
| | -13 | -14 | 67.2 | 10.97 | 63.7 | 10.45 | 60.3 | 9.93 | 56.7 | 9.33 | 53.1 | 8.70 | 50.8 | 8.28 |
| | -8 | -9 | 67.2 | 9.81 | 63.7 | 9.21 | 60.3 | 8.63 | 56.7 | 7.97 | 53.1 | 7.29 | 50.8 | 6.84 |
| | -3 | -4 | 67.2 | 8.92 | 63.7 | 8.26 | 60.3 | 7.61 | 56.7 | 6.90 | 53.1 | 6.16 | 50.8 | 5.81 |
| | 2 | 1 | 67.2 | 8.24 | 63.7 | 7.51 | 60.3 | 6.79 | 56.7 | 6.10 | 53.1 | 5.64 | 50.8 | 5.35 |
| | 7 | 6 | 67.2 | 7.34 | 63.7 | 6.58 | 60.3 | 6.08 | 56.7 | 5.65 | 53.1 | 5.22 | 50.8 | 4.95 |
| | 12 | 10 | 67.2 | 6.55 | 63.7 | 6.11 | 60.3 | 5.72 | 56.7 | 5.32 | 53.1 | 4.91 | 50.8 | 4.65 |
| | 17 | 15 | 67.2 | 6.04 | 63.7 | 5.65 | 60.3 | 5.29 | 56.7 | 4.91 | 53.1 | 4.54 | 50.8 | 4.29 |
| | 22 | 20 | 67.2 | 5.58 | 63.7 | 5.23 | 60.3 | 4.89 | 56.7 | 4.54 | 53.1 | 4.25 | 50.8 | 4.09 |
| | 27 | 24 | 67.2 | 5.22 | 63.7 | 4.88 | 60.3 | 4.57 | 56.7 | 4.30 | 53.1 | 4.06 | 50.8 | 3.91 |
| | 32 | 29 | 67.2 | 4.81 | 63.7 | 4.49 | 60.3 | 4.28 | 56.7 | 4.06 | 53.1 | 3.85 | 50.8 | 3.71 |
| | 37 | 34 | 67.2 | 4.43 | 63.7 | 4.22 | 60.3 | 4.03 | 56.7 | 3.83 | 53.1 | 3.63 | 50.8 | 3.50 |
| | 42 | 38 | 67.2 | 4.21 | 63.7 | 4.02 | 60.3 | 3.84 | 56.7 | 3.65 | 53.1 | 3.46 | 50.8 | 3.33 |
| | 47 | 43 | 67.2 | 3.94 | 63.7 | 3.76 | 60.3 | 3.60 | 56.7 | 3.42 | 53.1 | 3.24 | 50.8 | 3.13 |
| | 52 | 47 | 67.2 | 3.73 | 63.7 | 3.56 | 60.3 | 3.40 | 56.7 | 3.24 | 53.1 | 3.07 | 50.8 | 2.96 |
| | 57 | 52 | 67.2 | 3.46 | 63.7 | 3.31 | 60.3 | 3.16 | 56.7 | 3.01 | 53.1 | 2.86 | 50.8 | 2.77 |
| | 62 | 56 | 67.2 | 3.25 | 63.7 | 3.11 | 60.3 | 2.98 | 56.7 | 2.84 | 53.1 | 2.70 | 50.8 | 2.61 |
| | 67 | 61 | 67.2 | 3.00 | 63.7 | 2.87 | 60.3 | 2.75 | 56.7 | 2.62 | 53.1 | 2.50 | 50.8 | 2.46 |
| | 72 | 66 | 67.2 | 2.74 | 63.7 | 2.63 | 60.3 | 2.53 | 56.7 | 2.42 | 53.1 | 2.35 | 50.8 | 2.27 |
| 75 | 69 | 67.2 | 2.60 | 63.7 | 2.49 | 60.3 | 2.39 | 56.7 | 2.34 | 53.1 | 2.23 | 50.8 | 2.15 | |
| 80 | 74 | 67.2 | 2.30 | 63.7 | 2.21 | 60.3 | 2.15 | 56.7 | 2.09 | 53.1 | 1.97 | 50.8 | 1.90 | |
| 60% | -22 | -23 | 46.7 | 10.10 | 46.1 | 10.27 | 45.6 | 10.44 | 45.1 | 10.62 | 45.5 | 11.01 | 43.5 | 10.64 |
| | -17 | -18 | 55.7 | 10.81 | 54.6 | 10.76 | 51.7 | 10.26 | 48.6 | 9.70 | 45.5 | 9.11 | 43.5 | 8.70 |
| | -13 | -14 | 57.6 | 9.34 | 54.6 | 8.83 | 51.7 | 8.33 | 48.6 | 7.77 | 45.5 | 7.19 | 43.5 | 6.80 |
| | -8 | -9 | 57.6 | 8.01 | 54.6 | 7.46 | 51.7 | 6.91 | 48.6 | 6.32 | 45.5 | 5.83 | 43.5 | 5.52 |
| | -3 | -4 | 57.6 | 6.96 | 54.6 | 6.36 | 51.7 | 5.86 | 48.6 | 5.45 | 45.5 | 5.04 | 43.5 | 4.77 |
| | 2 | 1 | 57.6 | 6.13 | 54.6 | 5.75 | 51.7 | 5.39 | 48.6 | 5.00 | 45.5 | 4.62 | 43.5 | 4.38 |
| | 7 | 6 | 57.6 | 5.68 | 54.6 | 5.32 | 51.7 | 4.98 | 48.6 | 4.63 | 45.5 | 4.27 | 43.5 | 4.06 |
| | 12 | 10 | 57.6 | 5.34 | 54.6 | 5.00 | 51.7 | 4.68 | 48.6 | 4.35 | 45.5 | 4.06 | 43.5 | 3.91 |
| | 17 | 15 | 57.6 | 4.92 | 54.6 | 4.61 | 51.7 | 4.31 | 48.6 | 4.08 | 45.5 | 3.87 | 43.5 | 3.73 |
| | 22 | 20 | 57.6 | 4.55 | 54.6 | 4.28 | 51.7 | 4.09 | 48.6 | 3.88 | 45.5 | 3.68 | 43.5 | 3.55 |
| | 27 | 24 | 57.6 | 4.28 | 54.6 | 4.09 | 51.7 | 3.91 | 48.6 | 3.72 | 45.5 | 3.52 | 43.5 | 3.40 |
| | 32 | 29 | 57.6 | 4.05 | 54.6 | 3.87 | 51.7 | 3.70 | 48.6 | 3.52 | 45.5 | 3.34 | 43.5 | 3.22 |
| | 37 | 34 | 57.6 | 3.81 | 54.6 | 3.64 | 51.7 | 3.49 | 48.6 | 3.32 | 45.5 | 3.15 | 43.5 | 3.04 |
| | 42 | 38 | 57.6 | 3.62 | 54.6 | 3.47 | 51.7 | 3.32 | 48.6 | 3.17 | 45.5 | 3.01 | 43.5 | 2.90 |
| | 47 | 43 | 57.6 | 3.39 | 54.6 | 3.25 | 51.7 | 3.11 | 48.6 | 2.97 | 45.5 | 2.82 | 43.5 | 2.73 |
| | 52 | 47 | 57.6 | 3.21 | 54.6 | 3.08 | 51.7 | 2.95 | 48.6 | 2.81 | 45.5 | 2.68 | 43.5 | 2.59 |
| | 57 | 52 | 57.6 | 2.98 | 54.6 | 2.86 | 51.7 | 2.74 | 48.6 | 2.62 | 45.5 | 2.52 | 43.5 | 2.45 |
| | 62 | 56 | 57.6 | 2.81 | 54.6 | 2.69 | 51.7 | 2.59 | 48.6 | 2.49 | 45.5 | 2.40 | 43.5 | 2.32 |
| | 67 | 61 | 57.6 | 2.58 | 54.6 | 2.49 | 51.7 | 2.43 | 48.6 | 2.34 | 45.5 | 2.22 | 43.5 | 2.15 |
| | 72 | 66 | 57.6 | 2.37 | 54.6 | 2.34 | 51.7 | 2.25 | 48.6 | 2.15 | 45.5 | 2.05 | 43.5 | 1.98 |
| 75 | 69 | 57.6 | 2.30 | 54.6 | 2.22 | 51.7 | 2.14 | 48.6 | 2.04 | 45.5 | 1.95 | 43.5 | 1.89 | |
| 80 | 74 | 57.6 | 2.06 | 54.6 | 1.97 | 51.7 | 1.88 | 48.6 | 1.79 | 45.5 | 1.70 | 43.5 | 1.64 | |

NOTE - Power Input = Compressor + Outdoor Fan Motor.
 MBH = 1000 BTUs per hour.

HEATING CAPACITY - SINGLE MODULE | VRB072L4

| Combination (%) | Outdoor Temperature (°F) | | Indoor Temperature - °F Dry Bulb | | | | | | | | | | | |
|-----------------|--------------------------|----------|----------------------------------|----------------|----------------|----------------|----------------|----------------|----------------|----------------|----------------|----------------|----------------|----------------|
| | | | 61 | | 64 | | 67 | | 70 | | 73 | | 75 | |
| | Dry Bulb | Wet Bulb | Total Cap. MBH | Power Input kW | Total Cap. MBH | Power Input kW | Total Cap. MBH | Power Input kW | Total Cap. MBH | Power Input kW | Total Cap. MBH | Power Input kW | Total Cap. MBH | Power Input kW |
| 50% | -22 | -23 | 45.3 | 10.52 | 45.5 | 10.84 | 43.1 | 10.42 | 40.5 | 9.94 | 37.9 | 9.44 | 36.3 | 9.06 |
| | -17 | -18 | 48.0 | 9.43 | 45.5 | 8.96 | 43.1 | 8.49 | 40.5 | 7.97 | 37.9 | 7.36 | 36.3 | 6.98 |
| | -13 | -14 | 48.0 | 7.54 | 45.5 | 7.06 | 43.1 | 6.62 | 40.5 | 6.15 | 37.9 | 5.68 | 36.3 | 5.38 |
| | -8 | -9 | 48.0 | 6.11 | 45.5 | 5.73 | 43.1 | 5.37 | 40.5 | 4.99 | 37.9 | 4.60 | 36.3 | 4.36 |
| | -3 | -4 | 48.0 | 5.28 | 45.5 | 4.95 | 43.1 | 4.64 | 40.5 | 4.30 | 37.9 | 3.97 | 36.3 | 3.79 |
| | 2 | 1 | 48.0 | 4.85 | 45.5 | 4.54 | 43.1 | 4.25 | 40.5 | 3.94 | 37.9 | 3.74 | 36.3 | 3.60 |
| | 7 | 6 | 48.0 | 4.47 | 45.5 | 4.19 | 43.1 | 3.96 | 40.5 | 3.77 | 37.9 | 3.57 | 36.3 | 3.45 |
| | 12 | 10 | 48.0 | 4.19 | 45.5 | 3.99 | 43.1 | 3.81 | 40.5 | 3.63 | 37.9 | 3.45 | 36.3 | 3.33 |
| | 17 | 15 | 48.0 | 3.96 | 45.5 | 3.79 | 43.1 | 3.63 | 40.5 | 3.46 | 37.9 | 3.29 | 36.3 | 3.17 |
| | 22 | 20 | 48.0 | 3.77 | 45.5 | 3.61 | 43.1 | 3.46 | 40.5 | 3.30 | 37.9 | 3.13 | 36.3 | 3.03 |
| | 27 | 24 | 48.0 | 3.61 | 45.5 | 3.45 | 43.1 | 3.31 | 40.5 | 3.16 | 37.9 | 3.00 | 36.3 | 2.90 |
| | 32 | 29 | 48.0 | 3.41 | 45.5 | 3.27 | 43.1 | 3.14 | 40.5 | 2.99 | 37.9 | 2.85 | 36.3 | 2.76 |
| | 37 | 34 | 48.0 | 3.22 | 45.5 | 3.08 | 43.1 | 2.96 | 40.5 | 2.83 | 37.9 | 2.69 | 36.3 | 2.61 |
| | 42 | 38 | 48.0 | 3.06 | 45.5 | 2.94 | 43.1 | 2.82 | 40.5 | 2.70 | 37.9 | 2.57 | 36.3 | 2.51 |
| | 47 | 43 | 48.0 | 2.87 | 45.5 | 2.76 | 43.1 | 2.65 | 40.5 | 2.54 | 37.9 | 2.45 | 36.3 | 2.37 |
| | 52 | 47 | 48.0 | 2.72 | 45.5 | 2.61 | 43.1 | 2.52 | 40.5 | 2.44 | 37.9 | 2.33 | 36.3 | 2.25 |
| | 57 | 52 | 48.0 | 2.53 | 45.5 | 2.46 | 43.1 | 2.39 | 40.5 | 2.28 | 37.9 | 2.17 | 36.3 | 2.11 |
| 62 | 56 | 48.0 | 2.42 | 45.5 | 2.34 | 43.1 | 2.25 | 40.5 | 2.16 | 37.9 | 2.06 | 36.3 | 2.00 | |
| 67 | 61 | 48.0 | 2.26 | 45.5 | 2.17 | 43.1 | 2.09 | 40.5 | 2.00 | 37.9 | 1.91 | 36.3 | 1.85 | |
| 72 | 66 | 48.0 | 2.08 | 45.5 | 2.00 | 43.1 | 1.93 | 40.5 | 1.85 | 37.9 | 1.77 | 36.3 | 1.72 | |
| 75 | 69 | 48.0 | 1.97 | 45.5 | 1.90 | 43.1 | 1.83 | 40.5 | 1.75 | 37.9 | 1.68 | 36.3 | 1.64 | |
| 80 | 74 | 48.0 | 1.72 | 45.5 | 1.65 | 43.1 | 1.58 | 40.5 | 1.52 | 37.9 | 1.45 | 36.3 | 1.40 | |

NOTE - Power Input = Compressor + Outdoor Fan Motor.
 MBH = 1000 BTUs per hour.

COOLING CAPACITY - SINGLE MODULE | VRB096L4

| Combination (%) | Outdoor Temperature °F (Dry Bulb) | Indoor Temperature - °F (Dry Bulb / Wet Bulb) | | | | | | | | | | | |
|-----------------|-----------------------------------|---|-------------|------------|-------------|------------|-------------|------------|-------------|------------|-------------|------------|-------------|
| | | 67 / 57 | | 71 / 60 | | 75 / 63 | | 80 / 67 | | 85 / 71 | | 90 / 75 | |
| | | Total Cap. | Power Input | Total Cap. | Power Input | Total Cap. | Power Input | Total Cap. | Power Input | Total Cap. | Power Input | Total Cap. | Power Input |
| | | MBH | KW | MBH | KW | MBH | KW | MBH | KW | MBH | KW | MBH | KW |
| 130% | -10 | 73.6 | 2.0 | 89.4 | 2.4 | 104.3 | 2.9 | 124.8 | 3.5 | 146.2 | 4.2 | 166.7 | 4.9 |
| | -5 | 73.6 | 2.1 | 89.4 | 2.6 | 104.3 | 3.0 | 124.8 | 3.7 | 146.2 | 4.4 | 159.2 | 5.0 |
| | 10 | 73.6 | 2.1 | 89.4 | 2.6 | 104.3 | 3.1 | 124.8 | 3.8 | 146.2 | 4.5 | 156.4 | 5.0 |
| | 15 | 73.6 | 2.2 | 89.4 | 2.7 | 104.3 | 3.2 | 124.8 | 3.9 | 146.2 | 4.6 | 153.5 | 5.0 |
| | 20 | 73.6 | 2.2 | 89.4 | 2.7 | 104.3 | 3.2 | 124.8 | 4.0 | 146.2 | 4.7 | 150.5 | 5.0 |
| | 25 | 73.6 | 2.3 | 89.4 | 2.8 | 104.3 | 3.3 | 124.8 | 4.0 | 146.2 | 4.8 | 147.4 | 5.0 |
| | 30 | 73.6 | 2.3 | 89.4 | 2.9 | 104.3 | 3.4 | 124.8 | 4.1 | 142.6 | 4.8 | 144.5 | 5.0 |
| | 35 | 73.6 | 2.4 | 89.4 | 2.9 | 104.3 | 3.5 | 124.8 | 4.2 | 139.9 | 4.9 | 141.8 | 5.0 |
| | 40 | 73.6 | 2.5 | 89.4 | 3.0 | 104.3 | 3.6 | 124.8 | 4.3 | 138.4 | 4.9 | 140.3 | 5.1 |
| | 45 | 73.6 | 2.5 | 89.4 | 3.1 | 104.3 | 3.7 | 124.8 | 4.5 | 138.2 | 5.0 | 140.1 | 5.2 |
| | 50 | 73.6 | 2.6 | 89.4 | 3.2 | 104.3 | 3.7 | 124.8 | 4.6 | 138.2 | 5.2 | 140.1 | 5.4 |
| | 55 | 73.6 | 2.7 | 89.4 | 3.3 | 104.3 | 3.8 | 124.8 | 4.7 | 138.4 | 5.3 | 140.3 | 5.5 |
| | 60 | 73.6 | 2.7 | 89.4 | 3.3 | 104.3 | 4.0 | 124.8 | 4.8 | 139.1 | 5.5 | 140.5 | 5.7 |
| | 65 | 73.6 | 2.8 | 89.4 | 3.4 | 104.3 | 4.1 | 124.8 | 5.0 | 138.1 | 5.6 | 140.8 | 5.8 |
| | 70 | 73.6 | 3.0 | 89.4 | 3.7 | 104.3 | 4.4 | 124.8 | 5.4 | 138.2 | 6.1 | 140.8 | 6.4 |
| | 75 | 73.6 | 3.3 | 89.4 | 4.1 | 104.3 | 4.9 | 124.8 | 5.9 | 137.9 | 6.7 | 140.5 | 7.0 |
| | 80 | 73.6 | 3.7 | 89.4 | 4.5 | 104.3 | 5.3 | 124.8 | 6.5 | 137.1 | 7.3 | 139.7 | 7.6 |
| | 85 | 73.6 | 4.0 | 89.4 | 4.9 | 104.3 | 5.8 | 124.8 | 7.1 | 135.6 | 7.9 | 138.2 | 8.3 |
| | 90 | 73.6 | 4.4 | 89.4 | 5.4 | 104.3 | 6.4 | 124.8 | 7.8 | 133.1 | 8.5 | 135.6 | 8.9 |
| | 95 | 73.6 | 4.8 | 89.4 | 5.9 | 104.3 | 7.0 | 120.4 | 8.2 | 122.4 | 8.5 | 124.3 | 8.9 |
| 100 | 73.6 | 5.2 | 89.4 | 6.4 | 104.3 | 7.6 | 115.0 | 8.5 | 116.9 | 8.9 | 119.1 | 9.3 | |
| 105 | 73.6 | 5.7 | 89.4 | 7.0 | 104.3 | 8.2 | 106.8 | 8.6 | 110.0 | 9.0 | 112.1 | 9.4 | |
| 110 | 73.6 | 6.1 | 89.4 | 7.4 | 94.4 | 7.9 | 98.0 | 8.4 | 101.0 | 8.9 | 102.9 | 9.2 | |
| 115 | 73.6 | 6.4 | 80.8 | 7.1 | 83.6 | 7.4 | 86.8 | 7.9 | 89.4 | 8.3 | 91.1 | 8.7 | |
| 118 | 70.1 | 6.3 | 73.2 | 6.6 | 75.7 | 6.9 | 78.6 | 7.3 | 81.0 | 7.7 | 82.5 | 8.1 | |
| 125 | 49.4 | 4.6 | 51.6 | 4.9 | 53.3 | 5.1 | 55.4 | 5.4 | 57.0 | 5.7 | 58.1 | 5.9 | |
| 120% | -10 | 67.9 | 1.8 | 82.5 | 2.2 | 96.3 | 2.6 | 115.2 | 3.2 | 135.0 | 3.8 | 153.9 | 4.4 |
| | -5 | 67.9 | 1.9 | 82.5 | 2.3 | 96.3 | 2.8 | 115.2 | 3.4 | 135.0 | 4.0 | 153.9 | 4.7 |
| | 10 | 67.9 | 1.9 | 82.5 | 2.4 | 96.3 | 2.8 | 115.2 | 3.4 | 135.0 | 4.1 | 153.8 | 4.8 |
| | 15 | 67.9 | 2.0 | 82.5 | 2.4 | 96.3 | 2.9 | 115.2 | 3.5 | 135.0 | 4.2 | 150.8 | 4.8 |
| | 20 | 67.9 | 2.0 | 82.5 | 2.5 | 96.3 | 2.9 | 115.2 | 3.6 | 135.0 | 4.3 | 147.8 | 4.8 |
| | 25 | 67.9 | 2.1 | 82.5 | 2.6 | 96.3 | 3.0 | 115.2 | 3.7 | 135.0 | 4.4 | 144.8 | 4.8 |
| | 30 | 67.9 | 2.1 | 82.5 | 2.6 | 96.3 | 3.1 | 115.2 | 3.8 | 135.0 | 4.5 | 141.9 | 4.9 |
| | 35 | 67.9 | 2.2 | 82.5 | 2.7 | 96.3 | 3.2 | 115.2 | 3.9 | 135.0 | 4.6 | 139.2 | 4.9 |
| | 40 | 67.9 | 2.2 | 82.5 | 2.7 | 96.3 | 3.2 | 115.2 | 3.9 | 135.0 | 4.7 | 137.7 | 4.9 |
| | 45 | 67.9 | 2.3 | 82.5 | 2.8 | 96.3 | 3.3 | 115.2 | 4.0 | 135.0 | 4.8 | 137.5 | 5.1 |
| | 50 | 67.9 | 2.3 | 82.5 | 2.9 | 96.3 | 3.4 | 115.2 | 4.2 | 135.0 | 5.0 | 137.5 | 5.2 |
| | 55 | 67.9 | 2.4 | 82.5 | 3.0 | 96.3 | 3.5 | 115.2 | 4.3 | 135.0 | 5.1 | 137.6 | 5.3 |
| | 60 | 67.9 | 2.5 | 82.5 | 3.0 | 96.3 | 3.6 | 115.2 | 4.4 | 135.0 | 5.2 | 137.9 | 5.5 |
| | 65 | 67.9 | 2.5 | 82.5 | 3.1 | 96.3 | 3.7 | 115.2 | 4.5 | 135.0 | 5.4 | 138.1 | 5.6 |
| | 70 | 67.9 | 2.8 | 82.5 | 3.4 | 96.3 | 4.0 | 115.2 | 4.9 | 135.0 | 5.9 | 138.2 | 6.1 |
| | 75 | 67.9 | 3.0 | 82.5 | 3.7 | 96.3 | 4.4 | 115.2 | 5.4 | 135.0 | 6.4 | 137.9 | 6.7 |
| | 80 | 67.9 | 3.3 | 82.5 | 4.1 | 96.3 | 4.8 | 115.2 | 5.9 | 134.5 | 7.0 | 137.1 | 7.4 |
| | 85 | 67.9 | 3.7 | 82.5 | 4.5 | 96.3 | 5.3 | 115.2 | 6.5 | 133.0 | 7.6 | 135.6 | 8.0 |
| | 90 | 67.9 | 4.0 | 82.5 | 4.9 | 96.3 | 5.8 | 115.2 | 7.1 | 130.5 | 8.2 | 133.0 | 8.6 |
| | 95 | 67.9 | 4.4 | 82.5 | 5.4 | 96.3 | 6.4 | 115.2 | 7.7 | 122.4 | 8.4 | 124.3 | 8.8 |
| 100 | 67.9 | 4.8 | 82.5 | 5.9 | 96.3 | 6.9 | 115.2 | 8.4 | 116.9 | 8.7 | 119.1 | 9.1 | |
| 105 | 67.9 | 5.1 | 82.5 | 6.3 | 96.3 | 7.5 | 106.8 | 8.4 | 110.0 | 8.9 | 112.1 | 9.3 | |
| 110 | 67.9 | 5.5 | 82.5 | 6.8 | 94.4 | 7.8 | 98.0 | 8.3 | 101.0 | 8.7 | 102.9 | 9.1 | |
| 115 | 67.9 | 5.8 | 80.8 | 7.0 | 83.6 | 7.3 | 86.8 | 7.8 | 89.4 | 8.2 | 91.1 | 8.5 | |
| 118 | 67.9 | 6.0 | 73.2 | 6.5 | 75.7 | 6.8 | 78.6 | 7.2 | 81.0 | 7.6 | 82.5 | 7.9 | |
| 125 | 49.4 | 4.5 | 51.6 | 4.8 | 53.3 | 5.0 | 55.4 | 5.3 | 57.0 | 5.6 | 58.1 | 5.8 | |

NOTE - Power Input = Compressor + Outdoor Fan Motor.
 MBH = 1000 BTUs per hour.

COOLING CAPACITY - SINGLE MODULE | VRB096L4

| Combination (%) | Outdoor Temperature °F (Dry Bulb) | Indoor Temperature - °F (Dry Bulb / Wet Bulb) | | | | | | | | | | | |
|-----------------|-----------------------------------|---|-------------|------------|-------------|------------|-------------|-------------|-------------|------------|-------------|------------|-------------|
| | | 67 / 57 | | 71 / 60 | | 75 / 63 | | 80 / 67 | | 85 / 71 | | 90 / 75 | |
| | | Total Cap. | Power Input | Total Cap. | Power Input | Total Cap. | Power Input | Total Cap. | Power Input | Total Cap. | Power Input | Total Cap. | Power Input |
| | | MBH | kW | MBH | kW | MBH | kW | MBH | kW | MBH | kW | MBH | kW |
| 110% | -10 | 62.3 | 1.6 | 75.7 | 2.0 | 88.3 | 2.3 | 105.6 | 2.9 | 123.7 | 3.4 | 141.1 | 4.0 |
| | -5 | 62.3 | 1.7 | 75.7 | 2.1 | 88.3 | 2.5 | 105.6 | 3.0 | 123.7 | 3.6 | 141.1 | 4.3 |
| | 10 | 62.3 | 1.8 | 75.7 | 2.2 | 88.3 | 2.5 | 105.6 | 3.1 | 123.7 | 3.7 | 141.1 | 4.3 |
| | 15 | 62.3 | 1.8 | 75.7 | 2.2 | 88.3 | 2.6 | 105.6 | 3.2 | 123.7 | 3.8 | 141.1 | 4.4 |
| | 20 | 62.3 | 1.8 | 75.7 | 2.3 | 88.3 | 2.7 | 105.6 | 3.2 | 123.7 | 3.9 | 141.1 | 4.5 |
| | 25 | 62.3 | 1.9 | 75.7 | 2.3 | 88.3 | 2.7 | 105.6 | 3.3 | 123.7 | 4.0 | 141.1 | 4.6 |
| | 30 | 62.3 | 1.9 | 75.7 | 2.4 | 88.3 | 2.8 | 105.6 | 3.4 | 123.7 | 4.1 | 139.3 | 4.7 |
| | 35 | 62.3 | 2.0 | 75.7 | 2.4 | 88.3 | 2.9 | 105.6 | 3.5 | 123.7 | 4.2 | 136.6 | 4.7 |
| | 40 | 62.3 | 2.0 | 75.7 | 2.5 | 88.3 | 2.9 | 105.6 | 3.6 | 123.7 | 4.3 | 135.0 | 4.8 |
| | 45 | 62.3 | 2.1 | 75.7 | 2.5 | 88.3 | 3.0 | 105.6 | 3.7 | 123.7 | 4.4 | 134.8 | 4.9 |
| | 50 | 62.3 | 2.1 | 75.7 | 2.6 | 88.3 | 3.1 | 105.6 | 3.7 | 123.7 | 4.5 | 134.8 | 5.0 |
| | 55 | 62.3 | 2.2 | 75.7 | 2.7 | 88.3 | 3.2 | 105.6 | 3.8 | 123.7 | 4.6 | 135.0 | 5.2 |
| | 60 | 62.3 | 2.2 | 75.7 | 2.7 | 88.3 | 3.2 | 105.6 | 4.0 | 123.7 | 4.7 | 135.2 | 5.3 |
| | 65 | 62.3 | 2.3 | 75.7 | 2.8 | 88.3 | 3.3 | 105.6 | 4.1 | 123.7 | 4.9 | 135.5 | 5.5 |
| | 70 | 62.3 | 2.5 | 75.7 | 3.1 | 88.3 | 3.6 | 105.6 | 4.4 | 123.7 | 5.3 | 135.5 | 5.9 |
| | 75 | 62.3 | 2.7 | 75.7 | 3.4 | 88.3 | 4.0 | 105.6 | 4.9 | 123.7 | 5.8 | 135.2 | 6.5 |
| | 80 | 62.3 | 3.0 | 75.7 | 3.7 | 88.3 | 4.4 | 105.6 | 5.3 | 123.7 | 6.4 | 134.5 | 7.1 |
| | 85 | 62.3 | 3.3 | 75.7 | 4.1 | 88.3 | 4.8 | 105.6 | 5.8 | 123.7 | 7.0 | 133.0 | 7.7 |
| | 90 | 62.3 | 3.6 | 75.7 | 4.4 | 88.3 | 5.3 | 105.6 | 6.4 | 123.7 | 7.7 | 130.5 | 8.3 |
| | 95 | 62.3 | 4.0 | 75.7 | 4.9 | 88.3 | 5.7 | 105.6 | 7.0 | 123.7 | 8.4 | 124.3 | 8.6 |
| 100 | 62.3 | 4.3 | 75.7 | 5.3 | 88.3 | 6.2 | 105.6 | 7.6 | 116.9 | 8.6 | 119.1 | 9.0 | |
| 105 | 62.3 | 4.6 | 75.7 | 5.7 | 88.3 | 6.7 | 105.6 | 8.2 | 110.0 | 8.7 | 112.1 | 9.1 | |
| 110 | 62.3 | 5.0 | 75.7 | 6.1 | 88.3 | 7.2 | 98.0 | 8.2 | 101.0 | 8.6 | 102.9 | 9.0 | |
| 115 | 62.3 | 5.3 | 75.7 | 6.5 | 83.6 | 7.2 | 86.8 | 7.6 | 89.4 | 8.0 | 91.1 | 8.4 | |
| 118 | 62.3 | 5.4 | 73.2 | 6.4 | 75.7 | 6.7 | 78.6 | 7.1 | 81.0 | 7.5 | 82.5 | 7.8 | |
| 125 | 49.4 | 4.5 | 51.6 | 4.7 | 53.3 | 4.9 | 55.4 | 5.2 | 57.0 | 5.5 | 58.1 | 5.7 | |
| 100% | -10 | 56.6 | 1.4 | 68.8 | 1.8 | 80.2 | 2.1 | 96.0 | 2.6 | 112.5 | 3.1 | 128.2 | 3.6 |
| | -5 | 56.6 | 1.5 | 68.8 | 1.9 | 80.2 | 2.2 | 96.0 | 2.7 | 112.5 | 3.3 | 128.2 | 3.8 |
| | 10 | 56.6 | 1.6 | 68.8 | 1.9 | 80.2 | 2.3 | 96.0 | 2.8 | 112.5 | 3.3 | 128.2 | 3.9 |
| | 15 | 56.6 | 1.6 | 68.8 | 2.0 | 80.2 | 2.3 | 96.0 | 2.8 | 112.5 | 3.4 | 128.2 | 4.0 |
| | 20 | 56.6 | 1.6 | 68.8 | 2.0 | 80.2 | 2.4 | 96.0 | 2.9 | 112.5 | 3.5 | 128.2 | 4.1 |
| | 25 | 56.6 | 1.7 | 68.8 | 2.1 | 80.2 | 2.4 | 96.0 | 3.0 | 112.5 | 3.6 | 128.2 | 4.2 |
| | 30 | 56.6 | 1.7 | 68.8 | 2.1 | 80.2 | 2.5 | 96.0 | 3.0 | 112.5 | 3.6 | 128.2 | 4.3 |
| | 35 | 56.6 | 1.8 | 68.8 | 2.2 | 80.2 | 2.6 | 96.0 | 3.1 | 112.5 | 3.7 | 128.2 | 4.4 |
| | 40 | 56.6 | 1.8 | 68.8 | 2.2 | 80.2 | 2.6 | 96.0 | 3.2 | 112.5 | 3.8 | 128.2 | 4.5 |
| | 45 | 56.6 | 1.8 | 68.8 | 2.3 | 80.2 | 2.7 | 96.0 | 3.3 | 112.5 | 3.9 | 128.2 | 4.6 |
| | 50 | 56.6 | 1.9 | 68.8 | 2.3 | 80.2 | 2.8 | 96.0 | 3.4 | 112.5 | 4.0 | 128.2 | 4.7 |
| | 55 | 56.6 | 1.9 | 68.8 | 2.4 | 80.2 | 2.8 | 96.0 | 3.4 | 112.5 | 4.1 | 128.2 | 4.8 |
| | 60 | 56.6 | 2.0 | 68.8 | 2.5 | 80.2 | 2.9 | 96.0 | 3.5 | 112.5 | 4.2 | 128.2 | 4.9 |
| | 65 | 56.6 | 2.1 | 68.8 | 2.5 | 80.2 | 3.0 | 96.0 | 3.6 | 112.5 | 4.4 | 128.2 | 5.1 |
| | 70 | 56.6 | 2.2 | 68.8 | 2.7 | 80.2 | 3.2 | 96.0 | 4.0 | 112.5 | 4.7 | 128.2 | 5.5 |
| | 75 | 56.6 | 2.5 | 68.8 | 3.0 | 80.2 | 3.6 | 96.0 | 4.3 | 112.5 | 5.2 | 128.2 | 6.1 |
| | 80 | 56.6 | 2.7 | 68.8 | 3.3 | 80.2 | 3.9 | 96.0 | 4.8 | 112.5 | 5.7 | 128.2 | 6.7 |
| | 85 | 56.6 | 3.0 | 68.8 | 3.6 | 80.2 | 4.3 | 96.0 | 5.2 | 112.5 | 6.3 | 128.2 | 7.3 |
| | 90 | 56.6 | 3.2 | 68.8 | 4.0 | 80.2 | 4.7 | 96.0 | 5.7 | 112.5 | 6.9 | 127.9 | 8.0 |
| | 95 | 56.6 | 3.5 | 68.8 | 4.4 | 80.2 | 5.1 | 96.0 | 6.3 | 112.5 | 7.5 | 124.3 | 8.5 |
| 100 | 56.6 | 3.8 | 68.8 | 4.7 | 80.2 | 5.6 | 96.0 | 6.8 | 112.5 | 8.2 | 119.1 | 8.8 | |
| 105 | 56.6 | 4.2 | 68.8 | 5.1 | 80.2 | 6.0 | 96.0 | 7.3 | 110.0 | 8.6 | 112.1 | 9.0 | |
| 110 | 56.6 | 4.4 | 68.8 | 5.5 | 80.2 | 6.5 | 96.0 | 7.9 | 101.0 | 8.5 | 102.9 | 8.8 | |
| 115 | 56.6 | 4.7 | 68.8 | 5.8 | 80.2 | 6.8 | 86.8 | 7.5 | 89.4 | 7.9 | 91.1 | 8.3 | |
| 118 | 56.6 | 4.8 | 68.8 | 5.9 | 75.7 | 6.6 | 78.6 | 7.0 | 81.0 | 7.4 | 82.5 | 7.7 | |
| 125 | 49.4 | 4.4 | 51.6 | 4.6 | 53.3 | 4.9 | 55.4 | 5.1 | 57.0 | 5.4 | 58.1 | 5.7 | |

NOTE - Power Input = Compressor + Outdoor Fan Motor.
 MBH = 1000 BTUs per hour.

COOLING CAPACITY - SINGLE MODULE | VRB096L4

| Combination (%) | Outdoor Temperature °F (Dry Bulb) | Indoor Temperature - °F (Dry Bulb / Wet Bulb) | | | | | | | | | | | |
|-----------------|-----------------------------------|---|-------------|------------|-------------|------------|-------------|------------|-------------|------------|-------------|------------|-------------|
| | | 67 / 57 | | 71 / 60 | | 75 / 63 | | 80 / 67 | | 85 / 71 | | 90 / 75 | |
| | | Total Cap. | Power Input | Total Cap. | Power Input | Total Cap. | Power Input | Total Cap. | Power Input | Total Cap. | Power Input | Total Cap. | Power Input |
| | | MBH | KW | MBH | KW | MBH | KW | MBH | KW | MBH | KW | MBH | KW |
| 90% | -10 | 50.9 | 1.3 | 61.9 | 1.6 | 72.2 | 1.9 | 86.4 | 2.3 | 101.2 | 2.7 | 115.4 | 3.2 |
| | -5 | 50.9 | 1.4 | 61.9 | 1.7 | 72.2 | 2.0 | 86.4 | 2.4 | 101.2 | 2.9 | 115.4 | 3.4 |
| | 10 | 50.9 | 1.4 | 61.9 | 1.7 | 72.2 | 2.0 | 86.4 | 2.5 | 101.2 | 3.0 | 115.4 | 3.5 |
| | 15 | 50.9 | 1.4 | 61.9 | 1.8 | 72.2 | 2.1 | 86.4 | 2.5 | 101.2 | 3.0 | 115.4 | 3.5 |
| | 20 | 50.9 | 1.5 | 61.9 | 1.8 | 72.2 | 2.1 | 86.4 | 2.6 | 101.2 | 3.1 | 115.4 | 3.6 |
| | 25 | 50.9 | 1.5 | 61.9 | 1.8 | 72.2 | 2.2 | 86.4 | 2.6 | 101.2 | 3.2 | 115.4 | 3.7 |
| | 30 | 50.9 | 1.5 | 61.9 | 1.9 | 72.2 | 2.2 | 86.4 | 2.7 | 101.2 | 3.2 | 115.4 | 3.8 |
| | 35 | 50.9 | 1.6 | 61.9 | 1.9 | 72.2 | 2.3 | 86.4 | 2.8 | 101.2 | 3.3 | 115.4 | 3.9 |
| | 40 | 50.9 | 1.6 | 61.9 | 2.0 | 72.2 | 2.3 | 86.4 | 2.8 | 101.2 | 3.4 | 115.4 | 4.0 |
| | 45 | 50.9 | 1.6 | 61.9 | 2.0 | 72.2 | 2.4 | 86.4 | 2.9 | 101.2 | 3.5 | 115.4 | 4.1 |
| | 50 | 50.9 | 1.7 | 61.9 | 2.1 | 72.2 | 2.4 | 86.4 | 3.0 | 101.2 | 3.6 | 115.4 | 4.2 |
| | 55 | 50.9 | 1.7 | 61.9 | 2.1 | 72.2 | 2.5 | 86.4 | 3.1 | 101.2 | 3.7 | 115.4 | 4.3 |
| | 60 | 50.9 | 1.8 | 61.9 | 2.2 | 72.2 | 2.6 | 86.4 | 3.1 | 101.2 | 3.8 | 115.4 | 4.4 |
| | 65 | 50.9 | 1.8 | 61.9 | 2.2 | 72.2 | 2.6 | 86.4 | 3.2 | 101.2 | 3.9 | 115.4 | 4.5 |
| | 70 | 50.9 | 2.0 | 61.9 | 2.4 | 72.2 | 2.9 | 86.4 | 3.5 | 101.2 | 4.2 | 115.4 | 4.9 |
| | 75 | 50.9 | 2.2 | 61.9 | 2.7 | 72.2 | 3.2 | 86.4 | 3.9 | 101.2 | 4.6 | 115.4 | 5.4 |
| | 80 | 50.9 | 2.4 | 61.9 | 2.9 | 72.2 | 3.5 | 86.4 | 4.2 | 101.2 | 5.1 | 115.4 | 5.9 |
| | 85 | 50.9 | 2.6 | 61.9 | 3.2 | 72.2 | 3.8 | 86.4 | 4.6 | 101.2 | 5.6 | 115.4 | 6.5 |
| | 90 | 50.9 | 2.9 | 61.9 | 3.5 | 72.2 | 4.2 | 86.4 | 5.1 | 101.2 | 6.1 | 115.4 | 7.1 |
| | 95 | 50.9 | 3.1 | 61.9 | 3.9 | 72.2 | 4.6 | 86.4 | 5.6 | 101.2 | 6.7 | 115.4 | 7.8 |
| 100 | 50.9 | 3.4 | 61.9 | 4.2 | 72.2 | 5.0 | 86.4 | 6.0 | 101.2 | 7.2 | 115.4 | 8.4 | |
| 105 | 50.9 | 3.7 | 61.9 | 4.5 | 72.2 | 5.3 | 86.4 | 6.5 | 101.2 | 7.8 | 112.1 | 8.9 | |
| 110 | 50.9 | 3.9 | 61.9 | 4.8 | 72.2 | 5.7 | 86.4 | 7.0 | 101.0 | 8.3 | 102.9 | 8.7 | |
| 115 | 50.9 | 4.2 | 61.9 | 5.1 | 72.2 | 6.1 | 86.4 | 7.4 | 89.4 | 7.8 | 91.1 | 8.1 | |
| 118 | 50.9 | 4.3 | 61.9 | 5.3 | 72.2 | 6.2 | 78.6 | 6.9 | 81.0 | 7.3 | 82.5 | 7.6 | |
| 125 | 49.4 | 4.3 | 51.6 | 4.6 | 53.3 | 4.8 | 55.4 | 5.1 | 57.0 | 5.3 | 58.1 | 5.6 | |
| 80% | -10 | 45.3 | 1.1 | 55.0 | 1.4 | 64.2 | 1.6 | 76.8 | 2.0 | 90.0 | 2.4 | 102.6 | 2.8 |
| | -5 | 45.3 | 1.2 | 55.0 | 1.5 | 64.2 | 1.7 | 76.8 | 2.1 | 90.0 | 2.5 | 102.6 | 3.0 |
| | 10 | 45.3 | 1.2 | 55.0 | 1.5 | 64.2 | 1.8 | 76.8 | 2.2 | 90.0 | 2.6 | 102.6 | 3.0 |
| | 15 | 45.3 | 1.2 | 55.0 | 1.5 | 64.2 | 1.8 | 76.8 | 2.2 | 90.0 | 2.6 | 102.6 | 3.1 |
| | 20 | 45.3 | 1.3 | 55.0 | 1.6 | 64.2 | 1.9 | 76.8 | 2.3 | 90.0 | 2.7 | 102.6 | 3.2 |
| | 25 | 45.3 | 1.3 | 55.0 | 1.6 | 64.2 | 1.9 | 76.8 | 2.3 | 90.0 | 2.8 | 102.6 | 3.2 |
| | 30 | 45.3 | 1.3 | 55.0 | 1.6 | 64.2 | 1.9 | 76.8 | 2.4 | 90.0 | 2.8 | 102.6 | 3.3 |
| | 35 | 45.3 | 1.4 | 55.0 | 1.7 | 64.2 | 2.0 | 76.8 | 2.4 | 90.0 | 2.9 | 102.6 | 3.4 |
| | 40 | 45.3 | 1.4 | 55.0 | 1.7 | 64.2 | 2.0 | 76.8 | 2.5 | 90.0 | 3.0 | 102.6 | 3.5 |
| | 45 | 45.3 | 1.4 | 55.0 | 1.8 | 64.2 | 2.1 | 76.8 | 2.5 | 90.0 | 3.0 | 102.6 | 3.6 |
| | 50 | 45.3 | 1.5 | 55.0 | 1.8 | 64.2 | 2.1 | 76.8 | 2.6 | 90.0 | 3.1 | 102.6 | 3.6 |
| | 55 | 45.3 | 1.5 | 55.0 | 1.9 | 64.2 | 2.2 | 76.8 | 2.7 | 90.0 | 3.2 | 102.6 | 3.7 |
| | 60 | 45.3 | 1.6 | 55.0 | 1.9 | 64.2 | 2.3 | 76.8 | 2.7 | 90.0 | 3.3 | 102.6 | 3.8 |
| | 65 | 45.3 | 1.6 | 55.0 | 2.0 | 64.2 | 2.3 | 76.8 | 2.8 | 90.0 | 3.4 | 102.6 | 4.0 |
| | 70 | 45.3 | 1.7 | 55.0 | 2.1 | 64.2 | 2.5 | 76.8 | 3.1 | 90.0 | 3.7 | 102.6 | 4.3 |
| | 75 | 45.3 | 1.9 | 55.0 | 2.3 | 64.2 | 2.8 | 76.8 | 3.4 | 90.0 | 4.0 | 102.6 | 4.7 |
| | 80 | 45.3 | 2.1 | 55.0 | 2.6 | 64.2 | 3.0 | 76.8 | 3.7 | 90.0 | 4.4 | 102.6 | 5.2 |
| | 85 | 45.3 | 2.3 | 55.0 | 2.8 | 64.2 | 3.3 | 76.8 | 4.1 | 90.0 | 4.9 | 102.6 | 5.7 |
| | 90 | 45.3 | 2.5 | 55.0 | 3.1 | 64.2 | 3.7 | 76.8 | 4.5 | 90.0 | 5.3 | 102.6 | 6.2 |
| | 95 | 45.3 | 2.7 | 55.0 | 3.4 | 64.2 | 4.0 | 76.8 | 4.9 | 90.0 | 5.8 | 102.6 | 6.8 |
| 100 | 45.3 | 3.0 | 55.0 | 3.7 | 64.2 | 4.3 | 76.8 | 5.3 | 90.0 | 6.3 | 102.6 | 7.4 | |
| 105 | 45.3 | 3.2 | 55.0 | 4.0 | 64.2 | 4.7 | 76.8 | 5.7 | 90.0 | 6.8 | 102.6 | 8.0 | |
| 110 | 45.3 | 3.5 | 55.0 | 4.2 | 64.2 | 5.0 | 76.8 | 6.1 | 90.0 | 7.3 | 102.6 | 8.5 | |
| 115 | 45.3 | 3.7 | 55.0 | 4.5 | 64.2 | 5.3 | 76.8 | 6.5 | 89.4 | 7.7 | 91.1 | 8.0 | |
| 118 | 45.3 | 3.8 | 55.0 | 4.6 | 64.2 | 5.5 | 76.8 | 6.6 | 81.0 | 7.2 | 82.5 | 7.5 | |
| 125 | 45.3 | 3.9 | 51.6 | 4.5 | 53.3 | 4.7 | 55.4 | 5.0 | 57.0 | 5.3 | 58.1 | 5.5 | |

NOTE - Power Input = Compressor + Outdoor Fan Motor.
 MBH = 1000 BTUs per hour.

COOLING CAPACITY - SINGLE MODULE | VRB096L4

| Combination (%) | Outdoor Temperature °F (Dry Bulb) | Indoor Temperature - °F (Dry Bulb / Wet Bulb) | | | | | | | | | | | |
|-----------------|-----------------------------------|---|-------------|------------|-------------|------------|-------------|------------|-------------|------------|-------------|------------|-------------|
| | | 67 / 57 | | 71 / 60 | | 75 / 63 | | 80 / 67 | | 85 / 71 | | 90 / 75 | |
| | | Total Cap. | Power Input | Total Cap. | Power Input | Total Cap. | Power Input | Total Cap. | Power Input | Total Cap. | Power Input | Total Cap. | Power Input |
| | | MBH | kW | MBH | kW | MBH | kW | MBH | kW | MBH | kW | MBH | kW |
| 70% | -10 | 39.6 | 1.0 | 48.1 | 1.2 | 56.2 | 1.4 | 67.2 | 1.7 | 78.7 | 2.1 | 89.8 | 2.4 |
| | -5 | 39.6 | 1.0 | 48.1 | 1.3 | 56.2 | 1.5 | 67.2 | 1.8 | 78.7 | 2.2 | 89.8 | 2.6 |
| | 10 | 39.6 | 1.1 | 48.1 | 1.3 | 56.2 | 1.5 | 67.2 | 1.9 | 78.7 | 2.2 | 89.8 | 2.6 |
| | 15 | 39.6 | 1.1 | 48.1 | 1.3 | 56.2 | 1.6 | 67.2 | 1.9 | 78.7 | 2.3 | 89.8 | 2.7 |
| | 20 | 39.6 | 1.1 | 48.1 | 1.4 | 56.2 | 1.6 | 67.2 | 1.9 | 78.7 | 2.3 | 89.8 | 2.7 |
| | 25 | 39.6 | 1.1 | 48.1 | 1.4 | 56.2 | 1.6 | 67.2 | 2.0 | 78.7 | 2.4 | 89.8 | 2.8 |
| | 30 | 39.6 | 1.2 | 48.1 | 1.4 | 56.2 | 1.7 | 67.2 | 2.0 | 78.7 | 2.4 | 89.8 | 2.9 |
| | 35 | 39.6 | 1.2 | 48.1 | 1.5 | 56.2 | 1.7 | 67.2 | 2.1 | 78.7 | 2.5 | 89.8 | 2.9 |
| | 40 | 39.6 | 1.2 | 48.1 | 1.5 | 56.2 | 1.8 | 67.2 | 2.1 | 78.7 | 2.6 | 89.8 | 3.0 |
| | 45 | 39.6 | 1.2 | 48.1 | 1.5 | 56.2 | 1.8 | 67.2 | 2.2 | 78.7 | 2.6 | 89.8 | 3.1 |
| | 50 | 39.6 | 1.3 | 48.1 | 1.6 | 56.2 | 1.8 | 67.2 | 2.2 | 78.7 | 2.7 | 89.8 | 3.1 |
| | 55 | 39.6 | 1.3 | 48.1 | 1.6 | 56.2 | 1.9 | 67.2 | 2.3 | 78.7 | 2.8 | 89.8 | 3.2 |
| | 60 | 39.6 | 1.3 | 48.1 | 1.6 | 56.2 | 1.9 | 67.2 | 2.4 | 78.7 | 2.8 | 89.8 | 3.3 |
| | 65 | 39.6 | 1.4 | 48.1 | 1.7 | 56.2 | 2.0 | 67.2 | 2.4 | 78.7 | 2.9 | 89.8 | 3.4 |
| | 70 | 39.6 | 1.5 | 48.1 | 1.8 | 56.2 | 2.2 | 67.2 | 2.7 | 78.7 | 3.2 | 89.8 | 3.7 |
| | 75 | 39.6 | 1.6 | 48.1 | 2.0 | 56.2 | 2.4 | 67.2 | 2.9 | 78.7 | 3.5 | 89.8 | 4.1 |
| | 80 | 39.6 | 1.8 | 48.1 | 2.2 | 56.2 | 2.6 | 67.2 | 3.2 | 78.7 | 3.8 | 89.8 | 4.5 |
| | 85 | 39.6 | 2.0 | 48.1 | 2.4 | 56.2 | 2.9 | 67.2 | 3.5 | 78.7 | 4.2 | 89.8 | 4.9 |
| | 90 | 39.6 | 2.2 | 48.1 | 2.7 | 56.2 | 3.2 | 67.2 | 3.8 | 78.7 | 4.6 | 89.8 | 5.4 |
| | 95 | 39.6 | 2.4 | 48.1 | 2.9 | 56.2 | 3.4 | 67.2 | 4.2 | 78.7 | 5.0 | 89.8 | 5.9 |
| 100 | 39.6 | 2.6 | 48.1 | 3.2 | 56.2 | 3.7 | 67.2 | 4.6 | 78.7 | 5.5 | 89.8 | 6.4 | |
| 105 | 39.6 | 2.8 | 48.1 | 3.4 | 56.2 | 4.0 | 67.2 | 4.9 | 78.7 | 5.9 | 89.8 | 6.9 | |
| 110 | 39.6 | 3.0 | 48.1 | 3.7 | 56.2 | 4.3 | 67.2 | 5.3 | 78.7 | 6.3 | 89.8 | 7.4 | |
| 115 | 39.6 | 3.2 | 48.1 | 3.9 | 56.2 | 4.6 | 67.2 | 5.6 | 78.7 | 6.7 | 89.8 | 7.8 | |
| 118 | 39.6 | 3.2 | 48.1 | 4.0 | 56.2 | 4.7 | 67.2 | 5.7 | 78.7 | 6.9 | 82.5 | 7.4 | |
| 125 | 39.6 | 3.4 | 48.1 | 4.2 | 53.3 | 4.7 | 55.4 | 4.9 | 57.0 | 5.2 | 58.1 | 5.4 | |
| 60% | -10 | 34.0 | 0.8 | 41.3 | 1.0 | 48.1 | 1.2 | 57.6 | 1.5 | 67.5 | 1.7 | 76.9 | 2.0 |
| | -5 | 34.0 | 0.9 | 41.3 | 1.1 | 48.1 | 1.3 | 57.6 | 1.5 | 67.5 | 1.8 | 76.9 | 2.2 |
| | 10 | 34.0 | 0.9 | 41.3 | 1.1 | 48.1 | 1.3 | 57.6 | 1.6 | 67.5 | 1.9 | 76.9 | 2.2 |
| | 15 | 34.0 | 0.9 | 41.3 | 1.1 | 48.1 | 1.3 | 57.6 | 1.6 | 67.5 | 1.9 | 76.9 | 2.3 |
| | 20 | 34.0 | 0.9 | 41.3 | 1.1 | 48.1 | 1.3 | 57.6 | 1.6 | 67.5 | 2.0 | 76.9 | 2.3 |
| | 25 | 34.0 | 1.0 | 41.3 | 1.2 | 48.1 | 1.4 | 57.6 | 1.7 | 67.5 | 2.0 | 76.9 | 2.4 |
| | 30 | 34.0 | 1.0 | 41.3 | 1.2 | 48.1 | 1.4 | 57.6 | 1.7 | 67.5 | 2.1 | 76.9 | 2.4 |
| | 35 | 34.0 | 1.0 | 41.3 | 1.2 | 48.1 | 1.4 | 57.6 | 1.8 | 67.5 | 2.1 | 76.9 | 2.5 |
| | 40 | 34.0 | 1.0 | 41.3 | 1.3 | 48.1 | 1.5 | 57.6 | 1.8 | 67.5 | 2.2 | 76.9 | 2.5 |
| | 45 | 34.0 | 1.0 | 41.3 | 1.3 | 48.1 | 1.5 | 57.6 | 1.9 | 67.5 | 2.2 | 76.9 | 2.6 |
| | 50 | 34.0 | 1.1 | 41.3 | 1.3 | 48.1 | 1.6 | 57.6 | 1.9 | 67.5 | 2.3 | 76.9 | 2.7 |
| | 55 | 34.0 | 1.1 | 41.3 | 1.4 | 48.1 | 1.6 | 57.6 | 2.0 | 67.5 | 2.3 | 76.9 | 2.7 |
| | 60 | 34.0 | 1.1 | 41.3 | 1.4 | 48.1 | 1.6 | 57.6 | 2.0 | 67.5 | 2.4 | 76.9 | 2.8 |
| | 65 | 34.0 | 1.2 | 41.3 | 1.4 | 48.1 | 1.7 | 57.6 | 2.1 | 67.5 | 2.5 | 76.9 | 2.9 |
| | 70 | 34.0 | 1.3 | 41.3 | 1.6 | 48.1 | 1.8 | 57.6 | 2.2 | 67.5 | 2.7 | 76.9 | 3.1 |
| | 75 | 34.0 | 1.4 | 41.3 | 1.7 | 48.1 | 2.0 | 57.6 | 2.5 | 67.5 | 2.9 | 76.9 | 3.4 |
| | 80 | 34.0 | 1.5 | 41.3 | 1.9 | 48.1 | 2.2 | 57.6 | 2.7 | 67.5 | 3.2 | 76.9 | 3.8 |
| | 85 | 34.0 | 1.7 | 41.3 | 2.1 | 48.1 | 2.4 | 57.6 | 3.0 | 67.5 | 3.5 | 76.9 | 4.1 |
| | 90 | 34.0 | 1.8 | 41.3 | 2.3 | 48.1 | 2.7 | 57.6 | 3.2 | 67.5 | 3.9 | 76.9 | 4.5 |
| | 95 | 34.0 | 2.0 | 41.3 | 2.5 | 48.1 | 2.9 | 57.6 | 3.5 | 67.5 | 4.2 | 76.9 | 5.0 |
| 100 | 34.0 | 2.2 | 41.3 | 2.7 | 48.1 | 3.2 | 57.6 | 3.9 | 67.5 | 4.6 | 76.9 | 5.4 | |
| 105 | 34.0 | 2.4 | 41.3 | 2.9 | 48.1 | 3.4 | 57.6 | 4.2 | 67.5 | 5.0 | 76.9 | 5.8 | |
| 110 | 34.0 | 2.5 | 41.3 | 3.1 | 48.1 | 3.7 | 57.6 | 4.5 | 67.5 | 5.3 | 76.9 | 6.2 | |
| 115 | 34.0 | 2.7 | 41.3 | 3.3 | 48.1 | 3.9 | 57.6 | 4.7 | 67.5 | 5.6 | 76.9 | 6.6 | |
| 118 | 34.0 | 2.7 | 41.3 | 3.4 | 48.1 | 4.0 | 57.6 | 4.8 | 67.5 | 5.8 | 76.9 | 6.8 | |
| 125 | 34.0 | 2.9 | 41.3 | 3.5 | 48.1 | 4.1 | 55.4 | 4.9 | 57.0 | 5.1 | 58.1 | 5.3 | |

NOTE - Power Input = Compressor + Outdoor Fan Motor.
 MBH = 1000 BTUs per hour.

COOLING CAPACITY - SINGLE MODULE | VRB096L4

| Combination (%) | Outdoor Temperature °F (Dry Bulb) | Indoor Temperature - °F (Dry Bulb / Wet Bulb) | | | | | | | | | | | |
|-----------------|-----------------------------------|---|-------------|------------|-------------|------------|-------------|------------|-------------|------------|-------------|------------|-------------|
| | | 67 / 57 | | 71 / 60 | | 75 / 63 | | 80 / 67 | | 85 / 71 | | 90 / 75 | |
| | | Total Cap. | Power Input | Total Cap. | Power Input | Total Cap. | Power Input | Total Cap. | Power Input | Total Cap. | Power Input | Total Cap. | Power Input |
| | | MBH | kW | MBH | kW | MBH | kW | MBH | kW | MBH | kW | MBH | kW |
| 50% | -10 | 27.3 | 0.6 | 34.4 | 0.8 | 40.1 | 1.0 | 48.0 | 1.2 | 56.2 | 1.4 | 64.1 | 1.7 |
| | -5 | 28.3 | 0.7 | 34.4 | 0.9 | 40.1 | 1.0 | 48.0 | 1.3 | 56.2 | 1.5 | 64.1 | 1.8 |
| | 10 | 28.3 | 0.7 | 34.4 | 0.9 | 40.1 | 1.1 | 48.0 | 1.3 | 56.2 | 1.6 | 64.1 | 1.8 |
| | 15 | 28.3 | 0.7 | 34.4 | 0.9 | 40.1 | 1.1 | 48.0 | 1.3 | 56.2 | 1.6 | 64.1 | 1.9 |
| | 20 | 28.3 | 0.8 | 34.4 | 0.9 | 40.1 | 1.1 | 48.0 | 1.4 | 56.2 | 1.6 | 64.1 | 1.9 |
| | 25 | 28.3 | 0.8 | 34.4 | 1.0 | 40.1 | 1.1 | 48.0 | 1.4 | 56.2 | 1.7 | 64.1 | 1.9 |
| | 30 | 28.3 | 0.8 | 34.4 | 1.0 | 40.1 | 1.2 | 48.0 | 1.4 | 56.2 | 1.7 | 64.1 | 2.0 |
| | 35 | 28.3 | 0.8 | 34.4 | 1.0 | 40.1 | 1.2 | 48.0 | 1.4 | 56.2 | 1.7 | 64.1 | 2.0 |
| | 40 | 28.3 | 0.8 | 34.4 | 1.0 | 40.1 | 1.2 | 48.0 | 1.5 | 56.2 | 1.8 | 64.1 | 2.1 |
| | 45 | 28.3 | 0.9 | 34.4 | 1.1 | 40.1 | 1.2 | 48.0 | 1.5 | 56.2 | 1.8 | 64.1 | 2.1 |
| | 50 | 28.3 | 0.9 | 34.4 | 1.1 | 40.1 | 1.3 | 48.0 | 1.6 | 56.2 | 1.9 | 64.1 | 2.2 |
| | 55 | 28.3 | 0.9 | 34.4 | 1.1 | 40.1 | 1.3 | 48.0 | 1.6 | 56.2 | 1.9 | 64.1 | 2.2 |
| | 60 | 28.3 | 0.9 | 34.4 | 1.1 | 40.1 | 1.4 | 48.0 | 1.6 | 56.2 | 2.0 | 64.1 | 2.3 |
| | 65 | 28.3 | 1.0 | 34.4 | 1.2 | 40.1 | 1.4 | 48.0 | 1.7 | 56.2 | 2.0 | 64.1 | 2.4 |
| | 70 | 28.3 | 1.0 | 34.4 | 1.3 | 40.1 | 1.5 | 48.0 | 1.8 | 56.2 | 2.2 | 64.1 | 2.6 |
| | 75 | 28.3 | 1.1 | 34.4 | 1.4 | 40.1 | 1.7 | 48.0 | 2.0 | 56.2 | 2.4 | 64.1 | 2.8 |
| | 80 | 28.3 | 1.3 | 34.4 | 1.5 | 40.1 | 1.8 | 48.0 | 2.2 | 56.2 | 2.7 | 64.1 | 3.1 |
| | 85 | 28.3 | 1.4 | 34.4 | 1.7 | 40.1 | 2.0 | 48.0 | 2.4 | 56.2 | 2.9 | 64.1 | 3.4 |
| | 90 | 28.3 | 1.5 | 34.4 | 1.9 | 40.1 | 2.2 | 48.0 | 2.7 | 56.2 | 3.2 | 64.1 | 3.7 |
| | 95 | 28.3 | 1.6 | 34.4 | 2.0 | 40.1 | 2.4 | 48.0 | 2.9 | 56.2 | 3.5 | 64.1 | 4.1 |
| 100 | 28.3 | 1.8 | 34.4 | 2.2 | 40.1 | 2.6 | 48.0 | 3.2 | 56.2 | 3.8 | 64.1 | 4.4 | |
| 105 | 28.3 | 1.9 | 34.4 | 2.4 | 40.1 | 2.8 | 48.0 | 3.4 | 56.2 | 4.1 | 64.1 | 4.8 | |
| 110 | 28.3 | 2.1 | 34.4 | 2.5 | 40.1 | 3.0 | 48.0 | 3.7 | 56.2 | 4.4 | 64.1 | 5.1 | |
| 115 | 28.3 | 2.2 | 34.4 | 2.7 | 40.1 | 3.2 | 48.0 | 3.9 | 56.2 | 4.6 | 64.1 | 5.4 | |
| 118 | 28.3 | 2.2 | 34.4 | 2.8 | 40.1 | 3.3 | 48.0 | 4.0 | 56.2 | 4.8 | 64.1 | 5.6 | |
| 125 | 28.3 | 2.3 | 34.4 | 2.9 | 40.1 | 3.4 | 48.0 | 4.2 | 56.2 | 5.0 | 58.1 | 5.3 | |

NOTE - Power Input = Compressor + Outdoor Fan Motor.
 MBH = 1000 BTUs per hour.

HEATING CAPACITY - SINGLE MODULE | VRB096L4

| Combination (%) | Outdoor Temperature (°F) | | Indoor Temperature - °F Dry Bulb | | | | | | | | | | | |
|-----------------|--------------------------|----------|----------------------------------|----------------|----------------|----------------|----------------|----------------|----------------|----------------|----------------|----------------|----------------|----------------|
| | | | 61 | | 64 | | 67 | | 70 | | 73 | | 75 | |
| | Dry Bulb | Wet Bulb | Total Cap. MBH | Power Input kW | Total Cap. MBH | Power Input kW | Total Cap. MBH | Power Input kW | Total Cap. MBH | Power Input kW | Total Cap. MBH | Power Input kW | Total Cap. MBH | Power Input kW |
| 130% | -22 | -23 | 71.7 | 9.80 | 70.1 | 10.11 | 68.8 | 10.41 | 67.4 | 10.75 | 66.2 | 11.09 | 65.4 | 11.33 |
| | -17 | -18 | 87.0 | 10.30 | 85.4 | 10.59 | 84.0 | 10.88 | 82.6 | 11.20 | 81.3 | 11.54 | 80.5 | 11.76 |
| | -13 | -14 | 100.4 | 10.50 | 98.8 | 10.78 | 97.3 | 11.05 | 95.9 | 11.35 | 94.5 | 11.67 | 93.7 | 11.88 |
| | -8 | -9 | 104.8 | 10.70 | 103.5 | 11.00 | 102.3 | 11.29 | 101.1 | 11.62 | 100.0 | 11.96 | 99.4 | 12.18 |
| | -3 | -4 | 109.6 | 10.90 | 108.5 | 11.22 | 107.5 | 11.53 | 106.5 | 11.88 | 105.6 | 12.23 | 105.1 | 12.47 |
| | 2 | 1 | 113.7 | 11.45 | 112.7 | 11.80 | 111.8 | 12.13 | 110.9 | 12.50 | 110.0 | 12.88 | 109.5 | 13.13 |
| | 7 | 6 | 119.0 | 11.48 | 118.0 | 11.82 | 117.1 | 12.16 | 116.2 | 12.53 | 115.3 | 12.91 | 114.8 | 13.17 |
| | 12 | 10 | 123.8 | 11.54 | 122.8 | 11.89 | 121.9 | 12.23 | 121.0 | 12.60 | 120.1 | 12.99 | 119.6 | 13.25 |
| | 17 | 15 | 130.7 | 11.68 | 129.7 | 12.03 | 128.8 | 12.38 | 127.8 | 12.76 | 126.9 | 13.15 | 125.8 | 13.02 |
| | 22 | 20 | 138.0 | 11.87 | 137.0 | 12.23 | 136.0 | 12.58 | 135.1 | 12.96 | 131.5 | 12.53 | 125.8 | 11.90 |
| | 27 | 24 | 144.7 | 12.07 | 143.7 | 12.43 | 142.7 | 12.78 | 140.4 | 12.57 | 131.5 | 11.60 | 125.8 | 11.00 |
| | 32 | 29 | 153.1 | 12.34 | 152.0 | 12.71 | 149.3 | 12.34 | 140.4 | 11.43 | 131.5 | 10.56 | 125.8 | 9.99 |
| | 37 | 34 | 162.3 | 12.67 | 157.6 | 12.00 | 149.3 | 11.19 | 140.4 | 10.36 | 131.5 | 9.55 | 125.8 | 9.04 |
| | 42 | 38 | 166.5 | 11.94 | 157.6 | 11.11 | 149.3 | 10.35 | 140.4 | 9.58 | 131.5 | 8.82 | 125.8 | 8.34 |
| | 47 | 43 | 166.5 | 10.81 | 157.6 | 10.06 | 149.3 | 9.36 | 140.4 | 8.66 | 131.5 | 7.99 | 125.8 | 7.62 |
| | 52 | 47 | 166.5 | 9.98 | 157.6 | 9.28 | 149.3 | 8.65 | 140.4 | 7.99 | 131.5 | 7.45 | 125.8 | 7.10 |
| | 57 | 52 | 166.5 | 9.02 | 157.6 | 8.38 | 149.3 | 7.80 | 140.4 | 7.29 | 131.5 | 6.79 | 125.8 | 6.47 |
| | 62 | 56 | 166.5 | 8.31 | 157.6 | 7.72 | 149.3 | 7.25 | 140.4 | 6.76 | 131.5 | 6.30 | 125.8 | 6.00 |
| | 67 | 61 | 166.5 | 7.49 | 157.6 | 7.01 | 149.3 | 6.59 | 140.4 | 6.15 | 131.5 | 5.71 | 125.8 | 5.44 |
| | 72 | 66 | 166.5 | 6.77 | 157.6 | 6.35 | 149.3 | 5.96 | 140.4 | 5.56 | 131.5 | 5.17 | 125.8 | 4.94 |
| 75 | 69 | 166.5 | 6.37 | 157.6 | 5.97 | 149.3 | 5.61 | 140.4 | 5.23 | 131.5 | 4.88 | 125.8 | 4.66 | |
| 80 | 74 | 166.5 | 5.78 | 157.6 | 5.42 | 149.3 | 5.10 | 140.4 | 4.78 | 131.5 | 4.47 | 125.8 | 4.27 | |
| 120% | -22 | -23 | 70.7 | 9.94 | 69.2 | 10.25 | 67.9 | 10.56 | 66.6 | 10.90 | 65.4 | 11.24 | 64.7 | 11.48 |
| | -17 | -18 | 85.7 | 10.46 | 84.1 | 10.76 | 82.8 | 11.05 | 81.5 | 11.37 | 80.3 | 11.71 | 79.5 | 11.93 |
| | -13 | -14 | 98.9 | 10.67 | 97.4 | 10.95 | 96.0 | 11.23 | 94.6 | 11.54 | 93.4 | 11.86 | 92.6 | 12.07 |
| | -8 | -9 | 103.5 | 10.89 | 102.2 | 11.20 | 101.1 | 11.50 | 100.0 | 11.83 | 99.0 | 12.18 | 98.4 | 12.41 |
| | -3 | -4 | 108.4 | 11.12 | 107.3 | 11.44 | 106.4 | 11.76 | 105.5 | 12.11 | 104.6 | 12.48 | 104.1 | 12.72 |
| | 2 | 1 | 112.6 | 11.70 | 111.6 | 12.04 | 110.7 | 12.38 | 109.8 | 12.76 | 109.0 | 13.15 | 108.5 | 13.41 |
| | 7 | 6 | 117.8 | 11.73 | 116.8 | 12.09 | 116.0 | 12.43 | 115.1 | 12.81 | 114.3 | 13.20 | 116.1 | 13.74 |
| | 12 | 10 | 122.6 | 11.81 | 121.6 | 12.17 | 120.8 | 12.52 | 119.9 | 12.90 | 121.4 | 13.55 | 116.1 | 12.80 |
| | 17 | 15 | 129.4 | 11.97 | 128.4 | 12.33 | 127.6 | 12.68 | 126.7 | 13.07 | 121.4 | 12.33 | 116.1 | 11.75 |
| | 22 | 20 | 136.7 | 12.18 | 135.7 | 12.55 | 134.8 | 12.90 | 129.6 | 12.16 | 121.4 | 11.29 | 116.1 | 10.74 |
| | 27 | 24 | 143.3 | 12.40 | 142.3 | 12.77 | 137.8 | 12.10 | 129.6 | 11.25 | 121.4 | 10.43 | 116.1 | 9.89 |
| | 32 | 29 | 153.7 | 12.74 | 145.5 | 11.77 | 137.8 | 11.02 | 129.6 | 10.23 | 121.4 | 9.47 | 116.1 | 8.98 |
| | 37 | 34 | 153.7 | 11.43 | 145.5 | 10.66 | 137.8 | 9.98 | 129.6 | 9.25 | 121.4 | 8.55 | 116.1 | 8.12 |
| | 42 | 38 | 153.7 | 10.57 | 145.5 | 9.86 | 137.8 | 9.21 | 129.6 | 8.55 | 121.4 | 7.92 | 116.1 | 7.59 |
| | 47 | 43 | 153.7 | 9.55 | 145.5 | 8.91 | 137.8 | 8.32 | 129.6 | 7.75 | 121.4 | 7.26 | 116.1 | 6.94 |
| | 52 | 47 | 153.7 | 8.82 | 145.5 | 8.23 | 137.8 | 7.70 | 129.6 | 7.22 | 121.4 | 6.75 | 116.1 | 6.46 |
| | 57 | 52 | 153.7 | 7.95 | 145.5 | 7.45 | 137.8 | 7.02 | 129.6 | 6.58 | 121.4 | 6.15 | 116.1 | 5.87 |
| | 62 | 56 | 153.7 | 7.35 | 145.5 | 6.91 | 137.8 | 6.51 | 129.6 | 6.10 | 121.4 | 5.69 | 116.1 | 5.44 |
| | 67 | 61 | 153.7 | 6.67 | 145.5 | 6.26 | 137.8 | 5.90 | 129.6 | 5.52 | 121.4 | 5.16 | 116.1 | 4.92 |
| | 72 | 66 | 153.7 | 6.03 | 145.5 | 5.67 | 137.8 | 5.34 | 129.6 | 5.01 | 121.4 | 4.68 | 116.1 | 4.48 |
| 75 | 69 | 153.7 | 5.66 | 145.5 | 5.33 | 137.8 | 5.02 | 129.6 | 4.71 | 121.4 | 4.42 | 116.1 | 4.23 | |
| 80 | 74 | 153.7 | 5.14 | 145.5 | 4.84 | 137.8 | 4.58 | 129.6 | 4.32 | 121.4 | 4.06 | 116.1 | 3.89 | |

NOTE - Power Input = Compressor + Outdoor Fan Motor.
 MBH = 1000 BTUs per hour.

HEATING CAPACITY - SINGLE MODULE | VRB096L4

| Combination (%) | Outdoor Temperature (°F) | | Indoor Temperature - °F Dry Bulb | | | | | | | | | | | |
|-----------------|--------------------------|----------|----------------------------------|----------------|----------------|----------------|----------------|----------------|----------------|----------------|----------------|----------------|----------------|----------------|
| | | | 61 | | 64 | | 67 | | 70 | | 73 | | 75 | |
| | Dry Bulb | Wet Bulb | Total Cap. MBH | Power Input kW | Total Cap. MBH | Power Input kW | Total Cap. MBH | Power Input kW | Total Cap. MBH | Power Input kW | Total Cap. MBH | Power Input kW | Total Cap. MBH | Power Input kW |
| 110% | -22 | -23 | 69.6 | 10.10 | 68.2 | 10.42 | 67.0 | 10.73 | 65.8 | 11.07 | 64.6 | 11.42 | 63.9 | 11.66 |
| | -17 | -18 | 84.3 | 10.64 | 82.8 | 10.95 | 81.6 | 11.24 | 80.3 | 11.57 | 79.2 | 11.91 | 78.5 | 12.14 |
| | -13 | -14 | 97.4 | 10.88 | 95.9 | 11.16 | 94.6 | 11.45 | 93.3 | 11.76 | 92.1 | 12.09 | 91.4 | 12.31 |
| | -8 | -9 | 102.1 | 11.13 | 100.9 | 11.44 | 99.9 | 11.75 | 98.8 | 12.08 | 97.9 | 12.44 | 97.3 | 12.67 |
| | -3 | -4 | 107.1 | 11.38 | 106.2 | 11.71 | 105.3 | 12.04 | 104.4 | 12.40 | 103.6 | 12.77 | 103.1 | 13.02 |
| | 2 | 1 | 111.3 | 11.99 | 110.4 | 12.34 | 109.6 | 12.69 | 108.7 | 13.07 | 108.0 | 13.47 | 106.4 | 13.32 |
| | 7 | 6 | 116.6 | 12.04 | 115.7 | 12.40 | 114.8 | 12.76 | 114.0 | 13.14 | 111.3 | 12.89 | 106.4 | 12.37 |
| | 12 | 10 | 121.3 | 12.14 | 120.4 | 12.50 | 119.6 | 12.86 | 118.8 | 13.00 | 111.3 | 12.11 | 106.4 | 11.59 |
| | 17 | 15 | 128.1 | 12.32 | 127.2 | 12.69 | 126.3 | 12.75 | 118.8 | 11.88 | 111.3 | 11.09 | 106.4 | 10.58 |
| | 22 | 20 | 135.3 | 12.55 | 133.4 | 12.39 | 126.3 | 11.63 | 118.8 | 10.86 | 111.3 | 10.10 | 106.4 | 9.61 |
| | 27 | 24 | 140.9 | 12.22 | 133.4 | 11.45 | 126.3 | 10.75 | 118.8 | 10.02 | 111.3 | 9.30 | 106.4 | 8.84 |
| | 32 | 29 | 140.9 | 11.11 | 133.4 | 10.41 | 126.3 | 9.76 | 118.8 | 9.08 | 111.3 | 8.42 | 106.4 | 8.03 |
| | 37 | 34 | 140.9 | 10.06 | 133.4 | 9.41 | 126.3 | 8.81 | 118.8 | 8.20 | 111.3 | 7.68 | 106.4 | 7.37 |
| | 42 | 38 | 140.9 | 9.29 | 133.4 | 8.68 | 126.3 | 8.13 | 118.8 | 7.63 | 111.3 | 7.17 | 106.4 | 6.88 |
| | 47 | 43 | 140.9 | 8.39 | 133.4 | 7.83 | 126.3 | 7.42 | 118.8 | 6.98 | 111.3 | 6.55 | 106.4 | 6.28 |
| | 52 | 47 | 140.9 | 7.72 | 133.4 | 7.29 | 126.3 | 6.90 | 118.8 | 6.49 | 111.3 | 6.09 | 106.4 | 5.83 |
| | 57 | 52 | 140.9 | 7.03 | 133.4 | 6.64 | 126.3 | 6.28 | 118.8 | 5.90 | 111.3 | 5.53 | 106.4 | 5.30 |
| | 62 | 56 | 140.9 | 6.52 | 133.4 | 6.15 | 126.3 | 5.81 | 118.8 | 5.46 | 111.3 | 5.11 | 106.4 | 4.90 |
| | 67 | 61 | 140.9 | 5.90 | 133.4 | 5.57 | 126.3 | 5.26 | 118.8 | 4.95 | 111.3 | 4.63 | 106.4 | 4.44 |
| | 72 | 66 | 140.9 | 5.33 | 133.4 | 5.04 | 126.3 | 4.76 | 118.8 | 4.48 | 111.3 | 4.21 | 106.4 | 4.04 |
| 75 | 69 | 140.9 | 5.02 | 133.4 | 4.74 | 126.3 | 4.49 | 118.8 | 4.24 | 111.3 | 3.98 | 106.4 | 3.83 | |
| 80 | 74 | 140.9 | 4.56 | 133.4 | 4.33 | 126.3 | 4.11 | 118.8 | 3.88 | 111.3 | 3.69 | 106.4 | 3.65 | |
| 100% | -22 | -23 | 68.4 | 10.30 | 67.1 | 10.62 | 65.9 | 10.93 | 64.8 | 11.27 | 63.7 | 11.63 | 63.1 | 11.87 |
| | -17 | -18 | 82.8 | 10.87 | 81.5 | 11.18 | 80.3 | 11.48 | 79.2 | 11.81 | 78.1 | 12.16 | 77.4 | 12.39 |
| | -13 | -14 | 95.7 | 11.12 | 94.4 | 11.42 | 93.2 | 11.71 | 92.0 | 12.03 | 90.9 | 12.37 | 90.2 | 12.59 |
| | -8 | -9 | 100.7 | 11.41 | 99.6 | 11.73 | 98.6 | 12.05 | 97.6 | 12.39 | 96.7 | 12.76 | 96.8 | 12.99 |
| | -3 | -4 | 105.8 | 11.70 | 104.9 | 12.04 | 104.1 | 12.38 | 103.3 | 12.75 | 101.2 | 12.68 | 96.8 | 12.23 |
| | 2 | 1 | 110.0 | 12.34 | 109.2 | 12.71 | 108.4 | 13.07 | 108.0 | 13.34 | 101.2 | 12.54 | 96.8 | 12.10 |
| | 7 | 6 | 115.3 | 12.42 | 114.4 | 12.79 | 114.8 | 13.18 | 108.0 | 12.34 | 101.2 | 11.63 | 96.8 | 11.17 |
| | 12 | 10 | 120.0 | 12.53 | 121.2 | 13.12 | 114.8 | 12.28 | 108.0 | 11.58 | 101.2 | 10.87 | 96.8 | 10.41 |
| | 17 | 15 | 128.1 | 12.75 | 121.2 | 11.92 | 114.8 | 11.26 | 108.0 | 10.57 | 101.2 | 9.88 | 96.8 | 9.43 |
| | 22 | 20 | 128.1 | 11.58 | 121.2 | 10.90 | 114.8 | 10.27 | 108.0 | 9.60 | 101.2 | 8.96 | 96.8 | 8.53 |
| | 27 | 24 | 128.1 | 10.69 | 121.2 | 10.05 | 114.8 | 9.46 | 108.0 | 8.83 | 101.2 | 8.22 | 96.8 | 7.88 |
| | 32 | 29 | 128.1 | 9.71 | 121.2 | 9.12 | 114.8 | 8.56 | 108.0 | 7.99 | 101.2 | 7.54 | 96.8 | 7.25 |
| | 37 | 34 | 128.1 | 8.77 | 121.2 | 8.22 | 114.8 | 7.75 | 108.0 | 7.33 | 101.2 | 6.92 | 96.8 | 6.65 |
| | 42 | 38 | 128.1 | 8.09 | 121.2 | 7.62 | 114.8 | 7.24 | 108.0 | 6.84 | 101.2 | 6.45 | 96.8 | 6.20 |
| | 47 | 43 | 128.1 | 7.34 | 121.2 | 6.96 | 114.8 | 6.61 | 108.0 | 6.25 | 101.2 | 5.88 | 96.8 | 5.65 |
| | 52 | 47 | 128.1 | 6.83 | 121.2 | 6.48 | 114.8 | 6.14 | 108.0 | 5.80 | 101.2 | 5.45 | 96.8 | 5.23 |
| | 57 | 52 | 128.1 | 6.21 | 121.2 | 5.88 | 114.8 | 5.58 | 108.0 | 5.26 | 101.2 | 4.94 | 96.8 | 4.74 |
| | 62 | 56 | 128.1 | 5.74 | 121.2 | 5.44 | 114.8 | 5.16 | 108.0 | 4.86 | 101.2 | 4.56 | 96.8 | 4.38 |
| | 67 | 61 | 128.1 | 5.19 | 121.2 | 4.92 | 114.8 | 4.67 | 108.0 | 4.40 | 101.2 | 4.14 | 96.8 | 3.97 |
| | 72 | 66 | 128.1 | 4.69 | 121.2 | 4.45 | 114.8 | 4.23 | 108.0 | 3.99 | 101.2 | 3.77 | 96.8 | 3.72 |
| 75 | 69 | 128.1 | 4.42 | 121.2 | 4.20 | 114.8 | 3.99 | 108.0 | 3.78 | 101.2 | 3.67 | 96.8 | 3.55 | |
| 80 | 74 | 128.1 | 4.03 | 121.2 | 3.85 | 114.8 | 3.67 | 108.0 | 3.59 | 101.2 | 3.42 | 96.8 | 3.30 | |

NOTE - Power Input = Compressor + Outdoor Fan Motor.
 MBH = 1000 BTUs per hour.

HEATING CAPACITY - SINGLE MODULE | VRB096L4

| Combination (%) | Outdoor Temperature (°F) | | Indoor Temperature - °F Dry Bulb | | | | | | | | | | | |
|-----------------|--------------------------|----------|----------------------------------|----------------|----------------|----------------|----------------|----------------|----------------|----------------|----------------|----------------|----------------|----------------|
| | | | 61 | | 64 | | 67 | | 70 | | 73 | | 75 | |
| | Dry Bulb | Wet Bulb | Total Cap. MBH | Power Input kW | Total Cap. MBH | Power Input kW | Total Cap. MBH | Power Input kW | Total Cap. MBH | Power Input kW | Total Cap. MBH | Power Input kW | Total Cap. MBH | Power Input kW |
| 90% | -22 | -23 | 67.1 | 10.53 | 65.9 | 10.86 | 64.8 | 11.17 | 63.7 | 11.52 | 62.7 | 11.88 | 62.1 | 12.13 |
| | -17 | -18 | 81.3 | 11.14 | 80.1 | 11.46 | 79.0 | 11.77 | 77.9 | 12.11 | 76.9 | 12.46 | 76.3 | 12.70 |
| | -13 | -14 | 94.0 | 11.43 | 92.7 | 11.74 | 91.6 | 12.04 | 90.6 | 12.37 | 91.1 | 12.92 | 87.1 | 12.64 |
| | -8 | -9 | 99.1 | 11.76 | 98.1 | 12.10 | 97.2 | 12.42 | 97.2 | 12.81 | 91.1 | 12.27 | 87.1 | 11.95 |
| | -3 | -4 | 104.5 | 12.09 | 103.6 | 12.45 | 103.3 | 12.71 | 97.2 | 12.06 | 91.1 | 11.53 | 87.1 | 11.18 |
| | 2 | 1 | 108.7 | 12.78 | 109.1 | 13.22 | 103.3 | 12.52 | 97.2 | 11.93 | 91.1 | 11.34 | 87.1 | 10.94 |
| | 7 | 6 | 115.3 | 12.94 | 109.1 | 12.20 | 103.3 | 11.63 | 97.2 | 11.02 | 91.1 | 10.41 | 87.1 | 10.00 |
| | 12 | 10 | 115.3 | 12.05 | 109.1 | 11.45 | 103.3 | 10.88 | 97.2 | 10.27 | 91.1 | 9.65 | 87.1 | 9.25 |
| | 17 | 15 | 115.3 | 11.05 | 109.1 | 10.46 | 103.3 | 9.89 | 97.2 | 9.29 | 91.1 | 8.70 | 87.1 | 8.32 |
| | 22 | 20 | 115.3 | 10.07 | 109.1 | 9.50 | 103.3 | 8.97 | 97.2 | 8.41 | 91.1 | 7.89 | 87.1 | 7.61 |
| | 27 | 24 | 115.3 | 9.27 | 109.1 | 8.73 | 103.3 | 8.23 | 97.2 | 7.76 | 91.1 | 7.35 | 87.1 | 7.08 |
| | 32 | 29 | 115.3 | 8.39 | 109.1 | 7.89 | 103.3 | 7.52 | 97.2 | 7.14 | 91.1 | 6.76 | 87.1 | 6.52 |
| | 37 | 34 | 115.3 | 7.58 | 109.1 | 7.23 | 103.3 | 6.89 | 97.2 | 6.54 | 91.1 | 6.19 | 87.1 | 5.97 |
| | 42 | 38 | 115.3 | 7.08 | 109.1 | 6.74 | 103.3 | 6.42 | 97.2 | 6.09 | 91.1 | 5.76 | 87.1 | 5.55 |
| | 47 | 43 | 115.3 | 6.46 | 109.1 | 6.15 | 103.3 | 5.85 | 97.2 | 5.55 | 91.1 | 5.24 | 87.1 | 5.04 |
| | 52 | 47 | 115.3 | 6.00 | 109.1 | 5.70 | 103.3 | 5.43 | 97.2 | 5.13 | 91.1 | 4.85 | 87.1 | 4.66 |
| | 57 | 52 | 115.3 | 5.43 | 109.1 | 5.16 | 103.3 | 4.91 | 97.2 | 4.64 | 91.1 | 4.38 | 87.1 | 4.21 |
| | 62 | 56 | 115.3 | 5.02 | 109.1 | 4.77 | 103.3 | 4.54 | 97.2 | 4.29 | 91.1 | 4.05 | 87.1 | 3.89 |
| | 67 | 61 | 115.3 | 4.53 | 109.1 | 4.31 | 103.3 | 4.10 | 97.2 | 3.88 | 91.1 | 3.75 | 87.1 | 3.64 |
| | 72 | 66 | 115.3 | 4.10 | 109.1 | 3.91 | 103.3 | 3.73 | 97.2 | 3.64 | 91.1 | 3.46 | 87.1 | 3.33 |
| 75 | 69 | 115.3 | 3.87 | 109.1 | 3.70 | 103.3 | 3.59 | 97.2 | 3.47 | 91.1 | 3.29 | 87.1 | 3.18 | |
| 80 | 74 | 115.3 | 3.55 | 109.1 | 3.49 | 103.3 | 3.38 | 97.2 | 3.23 | 91.1 | 3.08 | 87.1 | 2.99 | |
| 80% | -22 | -23 | 65.7 | 10.82 | 64.5 | 11.16 | 63.6 | 11.48 | 62.6 | 11.83 | 61.7 | 12.20 | 61.1 | 12.45 |
| | -17 | -18 | 79.7 | 11.49 | 78.5 | 11.82 | 77.5 | 12.13 | 76.6 | 12.48 | 75.7 | 12.85 | 75.1 | 13.09 |
| | -13 | -14 | 92.1 | 11.82 | 91.0 | 12.14 | 91.9 | 12.71 | 86.4 | 12.35 | 80.9 | 11.97 | 77.4 | 11.71 |
| | -8 | -9 | 97.5 | 12.21 | 97.0 | 12.48 | 91.9 | 12.07 | 86.4 | 11.66 | 80.9 | 11.23 | 77.4 | 10.95 |
| | -3 | -4 | 102.5 | 12.29 | 97.0 | 11.76 | 91.9 | 11.35 | 86.4 | 10.90 | 80.9 | 10.44 | 77.4 | 10.13 |
| | 2 | 1 | 102.5 | 12.12 | 97.0 | 11.63 | 91.9 | 11.16 | 86.4 | 10.65 | 80.9 | 10.13 | 77.4 | 9.79 |
| | 7 | 6 | 102.5 | 11.25 | 97.0 | 10.74 | 91.9 | 10.25 | 86.4 | 9.72 | 80.9 | 9.19 | 77.4 | 8.84 |
| | 12 | 10 | 102.5 | 10.51 | 97.0 | 9.99 | 91.9 | 9.50 | 86.4 | 8.98 | 80.9 | 8.45 | 77.4 | 8.12 |
| | 17 | 15 | 102.5 | 9.55 | 97.0 | 9.04 | 91.9 | 8.57 | 86.4 | 8.07 | 80.9 | 7.65 | 77.4 | 7.38 |
| | 22 | 20 | 102.5 | 8.64 | 97.0 | 8.17 | 91.9 | 7.76 | 86.4 | 7.39 | 80.9 | 7.01 | 77.4 | 6.78 |
| | 27 | 24 | 102.5 | 7.92 | 97.0 | 7.55 | 91.9 | 7.22 | 86.4 | 6.88 | 80.9 | 6.53 | 77.4 | 6.31 |
| | 32 | 29 | 102.5 | 7.25 | 97.0 | 6.94 | 91.9 | 6.64 | 86.4 | 6.32 | 80.9 | 6.01 | 77.4 | 5.81 |
| | 37 | 34 | 102.5 | 6.64 | 97.0 | 6.34 | 91.9 | 6.07 | 86.4 | 5.78 | 80.9 | 5.49 | 77.4 | 5.30 |
| | 42 | 38 | 102.5 | 6.19 | 97.0 | 5.91 | 91.9 | 5.65 | 86.4 | 5.38 | 80.9 | 5.10 | 77.4 | 4.92 |
| | 47 | 43 | 102.5 | 5.63 | 97.0 | 5.37 | 91.9 | 5.13 | 86.4 | 4.87 | 80.9 | 4.62 | 77.4 | 4.45 |
| | 52 | 47 | 102.5 | 5.22 | 97.0 | 4.97 | 91.9 | 4.74 | 86.4 | 4.50 | 80.9 | 4.27 | 77.4 | 4.11 |
| | 57 | 52 | 102.5 | 4.71 | 97.0 | 4.49 | 91.9 | 4.28 | 86.4 | 4.06 | 80.9 | 3.86 | 77.4 | 3.81 |
| | 62 | 56 | 102.5 | 4.35 | 97.0 | 4.14 | 91.9 | 3.95 | 86.4 | 3.77 | 80.9 | 3.66 | 77.4 | 3.52 |
| | 67 | 61 | 102.5 | 3.92 | 97.0 | 3.74 | 91.9 | 3.65 | 86.4 | 3.51 | 80.9 | 3.32 | 77.4 | 3.20 |
| | 72 | 66 | 102.5 | 3.56 | 97.0 | 3.53 | 91.9 | 3.37 | 86.4 | 3.21 | 80.9 | 3.05 | 77.4 | 2.95 |
| 75 | 69 | 102.5 | 3.48 | 97.0 | 3.35 | 91.9 | 3.21 | 86.4 | 3.06 | 80.9 | 2.92 | 77.4 | 2.83 | |
| 80 | 74 | 102.5 | 3.23 | 97.0 | 3.11 | 91.9 | 2.99 | 86.4 | 2.88 | 80.9 | 2.74 | 77.4 | 2.64 | |

NOTE - Power Input = Compressor + Outdoor Fan Motor.
 MBH = 1000 BTUs per hour.

HEATING CAPACITY - SINGLE MODULE | VRB096L4

| Combination (%) | Outdoor Temperature (°F) | | Indoor Temperature - °F Dry Bulb | | | | | | | | | | | |
|-----------------|--------------------------|----------|----------------------------------|----------------|----------------|----------------|----------------|----------------|----------------|----------------|----------------|----------------|----------------|----------------|
| | | | 61 | | 64 | | 67 | | 70 | | 73 | | 75 | |
| | Dry Bulb | Wet Bulb | Total Cap. MBH | Power Input kW | Total Cap. MBH | Power Input kW | Total Cap. MBH | Power Input kW | Total Cap. MBH | Power Input kW | Total Cap. MBH | Power Input kW | Total Cap. MBH | Power Input kW |
| 70% | -22 | -23 | 64.1 | 11.20 | 63.1 | 11.54 | 62.2 | 11.87 | 61.3 | 12.24 | 60.6 | 12.62 | 60.1 | 12.87 |
| | -17 | -18 | 77.9 | 11.95 | 76.9 | 12.28 | 76.0 | 12.61 | 75.6 | 13.05 | 70.8 | 12.72 | 67.7 | 12.50 |
| | -13 | -14 | 89.7 | 12.22 | 84.9 | 11.92 | 80.4 | 11.64 | 75.6 | 11.32 | 70.8 | 10.99 | 67.7 | 10.76 |
| | -8 | -9 | 89.7 | 11.57 | 84.9 | 11.24 | 80.4 | 10.91 | 75.6 | 10.55 | 70.8 | 10.18 | 67.7 | 9.94 |
| | -3 | -4 | 89.7 | 10.85 | 84.9 | 10.48 | 80.4 | 10.12 | 75.6 | 9.73 | 70.8 | 9.33 | 67.7 | 9.06 |
| | 2 | 1 | 89.7 | 10.63 | 84.9 | 10.22 | 80.4 | 9.81 | 75.6 | 9.37 | 70.8 | 8.93 | 67.7 | 8.63 |
| | 7 | 6 | 89.7 | 9.74 | 84.9 | 9.30 | 80.4 | 8.89 | 75.6 | 8.44 | 70.8 | 7.99 | 67.7 | 7.69 |
| | 12 | 10 | 89.7 | 9.01 | 84.9 | 8.58 | 80.4 | 8.17 | 75.6 | 7.75 | 70.8 | 7.36 | 67.7 | 7.11 |
| | 17 | 15 | 89.7 | 8.10 | 84.9 | 7.71 | 80.4 | 7.39 | 75.6 | 7.05 | 70.8 | 6.72 | 67.7 | 6.50 |
| | 22 | 20 | 89.7 | 7.37 | 84.9 | 7.06 | 80.4 | 6.78 | 75.6 | 6.48 | 70.8 | 6.18 | 67.7 | 5.99 |
| | 27 | 24 | 89.7 | 6.85 | 84.9 | 6.57 | 80.4 | 6.31 | 75.6 | 6.04 | 70.8 | 5.76 | 67.7 | 5.58 |
| | 32 | 29 | 89.7 | 6.29 | 84.9 | 6.04 | 80.4 | 5.80 | 75.6 | 5.54 | 70.8 | 5.29 | 67.7 | 5.12 |
| | 37 | 34 | 89.7 | 5.75 | 84.9 | 5.51 | 80.4 | 5.29 | 75.6 | 5.06 | 70.8 | 4.81 | 67.7 | 4.66 |
| | 42 | 38 | 89.7 | 5.34 | 84.9 | 5.12 | 80.4 | 4.91 | 75.6 | 4.68 | 70.8 | 4.46 | 67.7 | 4.31 |
| | 47 | 43 | 89.7 | 4.84 | 84.9 | 4.64 | 80.4 | 4.44 | 75.6 | 4.23 | 70.8 | 4.03 | 67.7 | 3.93 |
| | 52 | 47 | 89.7 | 4.47 | 84.9 | 4.28 | 80.4 | 4.09 | 75.6 | 3.90 | 70.8 | 3.80 | 67.7 | 3.67 |
| | 57 | 52 | 89.7 | 4.03 | 84.9 | 3.85 | 80.4 | 3.74 | 75.6 | 3.61 | 70.8 | 3.43 | 67.7 | 3.30 |
| | 62 | 56 | 89.7 | 3.71 | 84.9 | 3.64 | 80.4 | 3.51 | 75.6 | 3.34 | 70.8 | 3.16 | 67.7 | 3.06 |
| | 67 | 61 | 89.7 | 3.49 | 84.9 | 3.33 | 80.4 | 3.19 | 75.6 | 3.04 | 70.8 | 2.89 | 67.7 | 2.79 |
| | 72 | 66 | 89.7 | 3.17 | 84.9 | 3.05 | 80.4 | 2.92 | 75.6 | 2.80 | 70.8 | 2.67 | 67.7 | 2.60 |
| 75 | 69 | 89.7 | 3.02 | 84.9 | 2.90 | 80.4 | 2.79 | 75.6 | 2.69 | 70.8 | 2.57 | 67.7 | 2.51 | |
| 80 | 74 | 89.7 | 2.91 | 84.9 | 2.81 | 80.4 | 2.69 | 75.6 | 2.56 | 70.8 | 2.44 | 67.7 | 2.35 | |
| 60% | -22 | -23 | 62.4 | 11.71 | 61.5 | 12.06 | 60.8 | 12.40 | 60.0 | 12.78 | 59.3 | 13.17 | 58.1 | 13.30 |
| | -17 | -18 | 76.8 | 12.71 | 72.7 | 12.47 | 68.9 | 12.23 | 64.8 | 11.96 | 60.7 | 11.68 | 58.1 | 11.50 |
| | -13 | -14 | 76.8 | 11.03 | 72.7 | 10.78 | 68.9 | 10.53 | 64.8 | 10.26 | 60.7 | 9.98 | 58.1 | 9.80 |
| | -8 | -9 | 76.8 | 10.29 | 72.7 | 10.01 | 68.9 | 9.73 | 64.8 | 9.43 | 60.7 | 9.12 | 58.1 | 8.91 |
| | -3 | -4 | 76.8 | 9.50 | 72.7 | 9.18 | 68.9 | 8.88 | 64.8 | 8.55 | 60.7 | 8.21 | 58.1 | 7.98 |
| | 2 | 1 | 76.8 | 9.15 | 72.7 | 8.80 | 68.9 | 8.47 | 64.8 | 8.07 | 60.7 | 7.61 | 58.1 | 7.31 |
| | 7 | 6 | 76.8 | 8.24 | 72.7 | 7.89 | 68.9 | 7.54 | 64.8 | 7.18 | 60.7 | 6.82 | 58.1 | 6.60 |
| | 12 | 10 | 76.8 | 7.57 | 72.7 | 7.25 | 68.9 | 6.96 | 64.8 | 6.66 | 60.7 | 6.35 | 58.1 | 6.16 |
| | 17 | 15 | 76.8 | 6.87 | 72.7 | 6.61 | 68.9 | 6.36 | 64.8 | 6.10 | 60.7 | 5.84 | 58.1 | 5.67 |
| | 22 | 20 | 76.8 | 6.31 | 72.7 | 6.07 | 68.9 | 5.85 | 64.8 | 5.62 | 60.7 | 5.38 | 58.1 | 5.23 |
| | 27 | 24 | 76.8 | 5.87 | 72.7 | 5.65 | 68.9 | 5.45 | 64.8 | 5.23 | 60.7 | 5.01 | 58.1 | 4.87 |
| | 32 | 29 | 76.8 | 5.39 | 72.7 | 5.19 | 68.9 | 5.00 | 64.8 | 4.80 | 60.7 | 4.59 | 58.1 | 4.46 |
| | 37 | 34 | 76.8 | 4.91 | 72.7 | 4.72 | 68.9 | 4.55 | 64.8 | 4.36 | 60.7 | 4.17 | 58.1 | 4.04 |
| | 42 | 38 | 76.8 | 4.54 | 72.7 | 4.37 | 68.9 | 4.20 | 64.8 | 4.02 | 60.7 | 3.91 | 58.1 | 3.80 |
| | 47 | 43 | 76.8 | 4.10 | 72.7 | 3.94 | 68.9 | 3.82 | 64.8 | 3.71 | 60.7 | 3.53 | 58.1 | 3.42 |
| | 52 | 47 | 76.8 | 3.77 | 72.7 | 3.71 | 68.9 | 3.58 | 64.8 | 3.41 | 60.7 | 3.25 | 58.1 | 3.14 |
| | 57 | 52 | 76.8 | 3.51 | 72.7 | 3.36 | 68.9 | 3.22 | 64.8 | 3.07 | 60.7 | 2.92 | 58.1 | 2.83 |
| | 62 | 56 | 76.8 | 3.23 | 72.7 | 3.10 | 68.9 | 2.98 | 64.8 | 2.84 | 60.7 | 2.70 | 58.1 | 2.62 |
| | 67 | 61 | 76.8 | 2.93 | 72.7 | 2.82 | 68.9 | 2.71 | 64.8 | 2.60 | 60.7 | 2.48 | 58.1 | 2.41 |
| | 72 | 66 | 76.8 | 2.69 | 72.7 | 2.60 | 68.9 | 2.51 | 64.8 | 2.42 | 60.7 | 2.32 | 58.1 | 2.26 |
| 75 | 69 | 76.8 | 2.58 | 72.7 | 2.49 | 68.9 | 2.42 | 64.8 | 2.34 | 60.7 | 2.26 | 58.1 | 2.21 | |
| 80 | 74 | 76.8 | 2.55 | 72.7 | 2.44 | 68.9 | 2.34 | 64.8 | 2.23 | 60.7 | 2.11 | 58.1 | 2.03 | |

NOTE - Power Input = Compressor + Outdoor Fan Motor.
 MBH = 1000 BTUs per hour.

HEATING CAPACITY - SINGLE MODULE | VRB096L4

| Combination (%) | Outdoor Temperature (°F) | | Indoor Temperature - °F Dry Bulb | | | | | | | | | | | |
|-----------------|--------------------------|----------|----------------------------------|-------------|------------|-------------|------------|-------------|------------|-------------|------------|-------------|------------|-------------|
| | | | 61 | | 64 | | 67 | | 70 | | 73 | | 75 | |
| | Dry Bulb | Wet Bulb | Total Cap. | Power Input | Total Cap. | Power Input | Total Cap. | Power Input | Total Cap. | Power Input | Total Cap. | Power Input | Total Cap. | Power Input |
| 50% | -22 | -23 | 60.5 | 12.43 | 60.6 | 12.98 | 57.4 | 12.81 | 54.0 | 12.62 | 50.6 | 12.42 | 48.4 | 12.28 |
| | -17 | -18 | 64.0 | 11.45 | 60.6 | 11.25 | 57.4 | 11.06 | 54.0 | 10.85 | 50.6 | 10.62 | 48.4 | 10.48 |
| | -13 | -14 | 64.0 | 9.81 | 60.6 | 9.61 | 57.4 | 9.41 | 54.0 | 9.19 | 50.6 | 8.97 | 48.4 | 8.81 |
| | -8 | -9 | 64.0 | 8.99 | 60.6 | 8.76 | 57.4 | 8.54 | 54.0 | 8.29 | 50.6 | 8.02 | 48.4 | 7.52 |
| | -3 | -4 | 64.0 | 8.13 | 60.6 | 7.88 | 57.4 | 7.56 | 54.0 | 7.09 | 50.6 | 6.64 | 48.4 | 6.35 |
| | 2 | 1 | 64.0 | 7.62 | 60.6 | 7.27 | 57.4 | 6.95 | 54.0 | 6.61 | 50.6 | 6.27 | 48.4 | 6.06 |
| | 7 | 6 | 64.0 | 6.79 | 60.6 | 6.53 | 57.4 | 6.28 | 54.0 | 6.02 | 50.6 | 5.76 | 48.4 | 5.59 |
| | 12 | 10 | 64.0 | 6.30 | 60.6 | 6.07 | 57.4 | 5.86 | 54.0 | 5.63 | 50.6 | 5.41 | 48.4 | 5.26 |
| | 17 | 15 | 64.0 | 5.77 | 60.6 | 5.58 | 57.4 | 5.39 | 54.0 | 5.20 | 50.6 | 5.00 | 48.4 | 4.87 |
| | 22 | 20 | 64.0 | 5.32 | 60.6 | 5.14 | 57.4 | 4.98 | 54.0 | 4.80 | 50.6 | 4.62 | 48.4 | 4.50 |
| | 27 | 24 | 64.0 | 4.95 | 60.6 | 4.78 | 57.4 | 4.63 | 54.0 | 4.47 | 50.6 | 4.30 | 48.4 | 4.19 |
| | 32 | 29 | 64.0 | 4.53 | 60.6 | 4.38 | 57.4 | 4.23 | 54.0 | 4.08 | 50.6 | 3.98 | 48.4 | 3.88 |
| | 37 | 34 | 64.0 | 4.11 | 60.6 | 3.96 | 57.4 | 3.88 | 54.0 | 3.76 | 50.6 | 3.60 | 48.4 | 3.50 |
| | 42 | 38 | 64.0 | 3.79 | 60.6 | 3.75 | 57.4 | 3.61 | 54.0 | 3.46 | 50.6 | 3.32 | 48.4 | 3.22 |
| | 47 | 43 | 64.0 | 3.50 | 60.6 | 3.37 | 57.4 | 3.24 | 54.0 | 3.10 | 50.6 | 2.97 | 48.4 | 2.88 |
| | 52 | 47 | 64.0 | 3.21 | 60.6 | 3.09 | 57.4 | 2.97 | 54.0 | 2.85 | 50.6 | 2.72 | 48.4 | 2.64 |
| | 57 | 52 | 64.0 | 2.89 | 60.6 | 2.77 | 57.4 | 2.67 | 54.0 | 2.56 | 50.6 | 2.45 | 48.4 | 2.37 |
| 62 | 56 | 64.0 | 2.66 | 60.6 | 2.56 | 57.4 | 2.47 | 54.0 | 2.37 | 50.6 | 2.27 | 48.4 | 2.20 | |
| 67 | 61 | 64.0 | 2.43 | 60.6 | 2.35 | 57.4 | 2.27 | 54.0 | 2.18 | 50.6 | 2.10 | 48.4 | 2.05 | |
| 72 | 66 | 64.0 | 2.25 | 60.6 | 2.19 | 57.4 | 2.13 | 54.0 | 2.06 | 50.6 | 1.99 | 48.4 | 1.95 | |
| 75 | 69 | 64.0 | 2.20 | 60.6 | 2.13 | 57.4 | 2.07 | 54.0 | 2.02 | 50.6 | 1.96 | 48.4 | 1.93 | |
| 80 | 74 | 64.0 | 2.16 | 60.6 | 2.07 | 57.4 | 1.98 | 54.0 | 1.88 | 50.6 | 1.80 | 48.4 | 1.68 | |

NOTE - Power Input = Compressor + Outdoor Fan Motor.
 MBH = 1000 BTUs per hour.

COOLING CAPACITY - SINGLE MODULE | VRB120L4

| Combination (%) | Outdoor Temperature °F (Dry Bulb) | Indoor Temperature - °F (Dry Bulb / Wet Bulb) | | | | | | | | | | | |
|-----------------|-----------------------------------|---|-------------|------------|-------------|------------|-------------|------------|-------------|------------|-------------|------------|-------------|
| | | 67 / 57 | | 71 / 60 | | 75 / 63 | | 80 / 67 | | 85 / 71 | | 90 / 75 | |
| | | Total Cap. | Power Input | Total Cap. | Power Input | Total Cap. | Power Input | Total Cap. | Power Input | Total Cap. | Power Input | Total Cap. | Power Input |
| | | MBH | KW | MBH | KW | MBH | KW | MBH | KW | MBH | KW | MBH | KW |
| 130% | -10 | 92.0 | 2.9 | 111.8 | 3.6 | 130.4 | 4.2 | 156.0 | 5.1 | 182.8 | 6.2 | 200.9 | 6.9 |
| | -5 | 92.0 | 3.1 | 111.8 | 3.8 | 130.4 | 4.5 | 156.0 | 5.5 | 182.8 | 6.5 | 190.4 | 7.0 |
| | 10 | 92.0 | 3.2 | 111.8 | 3.9 | 130.4 | 4.6 | 156.0 | 5.6 | 182.8 | 6.7 | 186.7 | 7.0 |
| | 15 | 92.0 | 3.2 | 111.8 | 4.0 | 130.4 | 4.7 | 156.0 | 5.7 | 180.2 | 6.7 | 182.6 | 7.0 |
| | 20 | 92.0 | 3.3 | 111.8 | 4.0 | 130.4 | 4.8 | 156.0 | 5.8 | 176.0 | 6.7 | 178.4 | 7.0 |
| | 25 | 92.0 | 3.4 | 111.8 | 4.1 | 130.4 | 4.9 | 156.0 | 6.0 | 171.7 | 6.7 | 174.1 | 7.0 |
| | 30 | 92.0 | 3.4 | 111.8 | 4.2 | 130.4 | 5.0 | 156.0 | 6.1 | 167.6 | 6.7 | 170.0 | 7.0 |
| | 35 | 92.0 | 3.5 | 111.8 | 4.3 | 130.4 | 5.1 | 156.0 | 6.2 | 163.6 | 6.7 | 166.0 | 7.0 |
| | 40 | 92.0 | 3.6 | 111.8 | 4.4 | 130.4 | 5.2 | 156.0 | 6.4 | 161.1 | 6.8 | 163.5 | 7.0 |
| | 45 | 92.0 | 3.7 | 111.8 | 4.6 | 130.4 | 5.4 | 156.0 | 6.6 | 160.1 | 6.9 | 162.5 | 7.1 |
| | 50 | 92.0 | 3.8 | 111.8 | 4.7 | 130.4 | 5.5 | 156.0 | 6.7 | 159.3 | 7.0 | 161.7 | 7.3 |
| | 55 | 92.0 | 3.9 | 111.8 | 4.8 | 130.4 | 5.7 | 156.0 | 6.9 | 158.7 | 7.2 | 161.1 | 7.5 |
| | 60 | 92.0 | 4.0 | 111.8 | 4.9 | 130.4 | 5.8 | 156.0 | 7.1 | 158.9 | 7.4 | 160.6 | 7.6 |
| | 65 | 92.0 | 4.1 | 111.8 | 5.1 | 130.4 | 6.0 | 156.0 | 7.3 | 157.1 | 7.5 | 160.1 | 7.8 |
| | 70 | 92.0 | 4.5 | 111.8 | 5.5 | 130.4 | 6.5 | 156.0 | 7.9 | 156.4 | 8.1 | 159.4 | 8.5 |
| | 75 | 92.0 | 4.9 | 111.8 | 6.0 | 130.4 | 7.1 | 153.0 | 8.5 | 155.4 | 8.9 | 158.4 | 9.3 |
| | 80 | 92.0 | 5.4 | 111.8 | 6.6 | 130.4 | 7.8 | 151.5 | 9.3 | 153.9 | 9.6 | 156.9 | 10.1 |
| | 85 | 92.0 | 5.9 | 111.8 | 7.3 | 130.4 | 8.6 | 149.2 | 10.0 | 151.6 | 10.4 | 154.5 | 10.9 |
| | 90 | 92.0 | 6.5 | 111.8 | 8.0 | 130.4 | 9.4 | 145.7 | 10.7 | 148.1 | 11.1 | 151.0 | 11.6 |
| | 95 | 92.0 | 7.1 | 111.8 | 8.7 | 130.4 | 10.3 | 133.0 | 10.7 | 135.4 | 11.1 | 137.8 | 11.6 |
| 100 | 92.0 | 7.7 | 111.8 | 9.5 | 124.1 | 10.6 | 126.5 | 11.1 | 128.9 | 11.5 | 131.4 | 12.0 | |
| 105 | 92.0 | 8.3 | 111.8 | 10.2 | 114.8 | 10.6 | 117.2 | 11.1 | 120.6 | 11.6 | 123.0 | 12.1 | |
| 110 | 92.0 | 8.9 | 100.4 | 9.8 | 102.8 | 10.2 | 106.8 | 10.8 | 109.9 | 11.3 | 112.0 | 11.8 | |
| 115 | 84.7 | 8.7 | 87.1 | 9.0 | 90.1 | 9.4 | 93.6 | 10.0 | 96.4 | 10.5 | 98.2 | 11.0 | |
| 118 | 74.9 | 7.9 | 78.2 | 8.3 | 80.9 | 8.7 | 84.0 | 9.2 | 86.5 | 9.7 | 88.2 | 10.1 | |
| 125 | 50.8 | 5.6 | 53.1 | 5.9 | 54.9 | 6.2 | 57.0 | 6.5 | 58.7 | 6.9 | 59.8 | 7.2 | |
| 120% | -10 | 84.9 | 2.6 | 103.2 | 3.2 | 120.4 | 3.8 | 144.0 | 4.7 | 168.7 | 5.6 | 192.4 | 6.5 |
| | -5 | 84.9 | 2.8 | 103.2 | 3.4 | 120.4 | 4.1 | 144.0 | 5.0 | 168.7 | 5.9 | 187.2 | 6.8 |
| | 10 | 84.9 | 2.9 | 103.2 | 3.5 | 120.4 | 4.2 | 144.0 | 5.1 | 168.7 | 6.1 | 183.5 | 6.8 |
| | 15 | 84.9 | 2.9 | 103.2 | 3.6 | 120.4 | 4.2 | 144.0 | 5.2 | 168.7 | 6.2 | 179.4 | 6.8 |
| | 20 | 84.9 | 3.0 | 103.2 | 3.7 | 120.4 | 4.3 | 144.0 | 5.3 | 168.7 | 6.3 | 175.3 | 6.7 |
| | 25 | 84.9 | 3.1 | 103.2 | 3.8 | 120.4 | 4.4 | 144.0 | 5.4 | 168.7 | 6.5 | 171.0 | 6.7 |
| | 30 | 84.9 | 3.1 | 103.2 | 3.8 | 120.4 | 4.5 | 144.0 | 5.5 | 164.5 | 6.5 | 166.9 | 6.7 |
| | 35 | 84.9 | 3.2 | 103.2 | 3.9 | 120.4 | 4.7 | 144.0 | 5.7 | 160.6 | 6.5 | 163.0 | 6.7 |
| | 40 | 84.9 | 3.3 | 103.2 | 4.0 | 120.4 | 4.8 | 144.0 | 5.8 | 158.0 | 6.5 | 160.4 | 6.8 |
| | 45 | 84.9 | 3.4 | 103.2 | 4.1 | 120.4 | 4.9 | 144.0 | 6.0 | 157.0 | 6.6 | 159.4 | 6.9 |
| | 50 | 84.9 | 3.5 | 103.2 | 4.2 | 120.4 | 5.0 | 144.0 | 6.1 | 156.2 | 6.8 | 158.6 | 7.0 |
| | 55 | 84.9 | 3.5 | 103.2 | 4.4 | 120.4 | 5.1 | 144.0 | 6.3 | 155.6 | 6.9 | 158.0 | 7.2 |
| | 60 | 84.9 | 3.6 | 103.2 | 4.5 | 120.4 | 5.3 | 144.0 | 6.4 | 155.7 | 7.1 | 157.6 | 7.4 |
| | 65 | 84.9 | 3.7 | 103.2 | 4.6 | 120.4 | 5.4 | 144.0 | 6.6 | 154.1 | 7.2 | 157.1 | 7.6 |
| | 70 | 84.9 | 4.1 | 103.2 | 5.0 | 120.4 | 5.9 | 144.0 | 7.2 | 153.5 | 7.8 | 156.4 | 8.2 |
| | 75 | 84.9 | 4.5 | 103.2 | 5.5 | 120.4 | 6.5 | 144.0 | 7.9 | 152.5 | 8.6 | 155.4 | 8.9 |
| | 80 | 84.9 | 4.9 | 103.2 | 6.0 | 120.4 | 7.1 | 144.0 | 8.7 | 151.0 | 9.3 | 153.9 | 9.7 |
| | 85 | 84.9 | 5.4 | 103.2 | 6.6 | 120.4 | 7.8 | 144.0 | 9.5 | 148.7 | 10.1 | 151.6 | 10.5 |
| | 90 | 84.9 | 5.9 | 103.2 | 7.3 | 120.4 | 8.6 | 144.0 | 10.4 | 145.3 | 10.8 | 148.1 | 11.2 |
| | 95 | 84.9 | 6.4 | 103.2 | 7.9 | 120.4 | 9.4 | 133.0 | 10.5 | 135.4 | 11.0 | 137.8 | 11.4 |
| 100 | 84.9 | 7.0 | 103.2 | 8.6 | 120.4 | 10.2 | 126.5 | 10.9 | 128.9 | 11.3 | 131.4 | 11.8 | |
| 105 | 84.9 | 7.6 | 103.2 | 9.3 | 114.8 | 10.5 | 117.2 | 10.9 | 120.6 | 11.5 | 123.0 | 12.0 | |
| 110 | 84.9 | 8.1 | 100.4 | 9.7 | 102.8 | 10.0 | 106.8 | 10.6 | 109.9 | 11.2 | 112.0 | 11.7 | |
| 115 | 84.9 | 8.6 | 87.1 | 8.9 | 90.1 | 9.3 | 93.6 | 9.8 | 96.4 | 10.4 | 98.2 | 10.8 | |
| 118 | 74.9 | 7.8 | 78.2 | 8.2 | 80.9 | 8.6 | 84.0 | 9.1 | 86.5 | 9.6 | 88.2 | 10.0 | |
| 125 | 50.8 | 5.5 | 53.1 | 5.8 | 54.9 | 6.1 | 57.0 | 6.4 | 58.7 | 6.8 | 59.8 | 7.1 | |

NOTE - Power Input = Compressor + Outdoor Fan Motor.
MBH = 1000 BTUs per hour.

COOLING CAPACITY - SINGLE MODULE | VRB120L4

| Combination (%) | Outdoor Temperature °F (Dry Bulb) | Indoor Temperature - °F (Dry Bulb / Wet Bulb) | | | | | | | | | | | |
|-----------------|-----------------------------------|---|-------------|------------|-------------|------------|-------------|------------|-------------|------------|-------------|------------|-------------|
| | | 67 / 57 | | 71 / 60 | | 75 / 63 | | 80 / 67 | | 85 / 71 | | 90 / 75 | |
| | | Total Cap. | Power Input | Total Cap. | Power Input | Total Cap. | Power Input | Total Cap. | Power Input | Total Cap. | Power Input | Total Cap. | Power Input |
| | | MBH | kW | MBH | kW | MBH | kW | MBH | kW | MBH | kW | MBH | kW |
| 110% | -10 | 77.8 | 2.4 | 94.6 | 2.9 | 110.3 | 3.5 | 132.0 | 4.2 | 154.7 | 5.0 | 176.3 | 5.9 |
| | -5 | 77.8 | 2.5 | 94.6 | 3.1 | 110.3 | 3.7 | 132.0 | 4.5 | 154.7 | 5.4 | 176.3 | 6.3 |
| | 10 | 77.8 | 2.6 | 94.6 | 3.2 | 110.3 | 3.8 | 132.0 | 4.6 | 154.7 | 5.5 | 176.3 | 6.4 |
| | 15 | 77.8 | 2.6 | 94.6 | 3.2 | 110.3 | 3.8 | 132.0 | 4.7 | 154.7 | 5.6 | 176.3 | 6.5 |
| | 20 | 77.8 | 2.7 | 94.6 | 3.3 | 110.3 | 3.9 | 132.0 | 4.8 | 154.7 | 5.7 | 172.2 | 6.5 |
| | 25 | 77.8 | 2.8 | 94.6 | 3.4 | 110.3 | 4.0 | 132.0 | 4.9 | 154.7 | 5.9 | 167.9 | 6.5 |
| | 30 | 77.8 | 2.8 | 94.6 | 3.5 | 110.3 | 4.1 | 132.0 | 5.0 | 154.7 | 6.0 | 163.8 | 6.5 |
| | 35 | 77.8 | 2.9 | 94.6 | 3.6 | 110.3 | 4.2 | 132.0 | 5.1 | 154.7 | 6.1 | 159.9 | 6.5 |
| | 40 | 77.8 | 3.0 | 94.6 | 3.6 | 110.3 | 4.3 | 132.0 | 5.2 | 154.7 | 6.3 | 157.3 | 6.5 |
| | 45 | 77.8 | 3.0 | 94.6 | 3.7 | 110.3 | 4.4 | 132.0 | 5.4 | 154.7 | 6.4 | 156.3 | 6.7 |
| | 50 | 77.8 | 3.1 | 94.6 | 3.8 | 110.3 | 4.5 | 132.0 | 5.5 | 154.7 | 6.6 | 155.6 | 6.8 |
| | 55 | 77.8 | 3.2 | 94.6 | 3.9 | 110.3 | 4.6 | 132.0 | 5.7 | 154.7 | 6.8 | 155.0 | 7.0 |
| | 60 | 77.8 | 3.3 | 94.6 | 4.0 | 110.3 | 4.8 | 132.0 | 5.8 | 152.6 | 6.9 | 154.5 | 7.1 |
| | 65 | 77.8 | 3.4 | 94.6 | 4.2 | 110.3 | 4.9 | 132.0 | 6.0 | 151.1 | 7.0 | 154.0 | 7.3 |
| | 70 | 77.8 | 3.7 | 94.6 | 4.5 | 110.3 | 5.3 | 132.0 | 6.5 | 150.5 | 7.6 | 153.4 | 7.9 |
| | 75 | 77.8 | 4.0 | 94.6 | 5.0 | 110.3 | 5.9 | 132.0 | 7.1 | 149.6 | 8.3 | 152.4 | 8.6 |
| | 80 | 77.8 | 4.4 | 94.6 | 5.4 | 110.3 | 6.4 | 132.0 | 7.8 | 148.1 | 9.0 | 150.9 | 9.4 |
| | 85 | 77.8 | 4.9 | 94.6 | 6.0 | 110.3 | 7.1 | 132.0 | 8.6 | 145.8 | 9.7 | 148.6 | 10.1 |
| | 90 | 77.8 | 5.3 | 94.6 | 6.5 | 110.3 | 7.7 | 132.0 | 9.4 | 142.5 | 10.4 | 145.3 | 10.9 |
| | 95 | 77.8 | 5.8 | 94.6 | 7.1 | 110.3 | 8.4 | 132.0 | 10.3 | 135.4 | 10.8 | 137.8 | 11.2 |
| 100 | 77.8 | 6.3 | 94.6 | 7.8 | 110.3 | 9.2 | 128.5 | 10.9 | 128.9 | 11.2 | 131.4 | 11.7 | |
| 105 | 77.8 | 6.8 | 94.6 | 8.4 | 110.3 | 9.9 | 117.2 | 10.7 | 120.6 | 11.3 | 123.0 | 11.8 | |
| 110 | 77.8 | 7.3 | 94.6 | 9.0 | 102.8 | 9.9 | 106.8 | 10.5 | 109.9 | 11.0 | 112.0 | 11.5 | |
| 115 | 77.8 | 7.7 | 87.1 | 8.7 | 90.1 | 9.2 | 93.6 | 9.7 | 96.4 | 10.2 | 98.2 | 10.7 | |
| 118 | 74.9 | 7.6 | 78.2 | 8.1 | 80.9 | 8.5 | 84.0 | 8.9 | 86.5 | 9.4 | 88.2 | 9.8 | |
| 125 | 50.8 | 5.4 | 53.1 | 5.7 | 54.9 | 6.0 | 57.0 | 6.3 | 58.7 | 6.7 | 59.8 | 7.0 | |
| 100% | -10 | 70.7 | 2.1 | 86.0 | 2.6 | 100.3 | 3.1 | 120.0 | 3.8 | 140.6 | 4.5 | 160.3 | 5.3 |
| | -5 | 70.7 | 2.3 | 86.0 | 2.8 | 100.3 | 3.3 | 120.0 | 4.0 | 140.6 | 4.8 | 160.3 | 5.6 |
| | 10 | 70.7 | 2.3 | 86.0 | 2.8 | 100.3 | 3.4 | 120.0 | 4.1 | 140.6 | 4.9 | 160.3 | 5.7 |
| | 15 | 70.7 | 2.4 | 86.0 | 2.9 | 100.3 | 3.4 | 120.0 | 4.2 | 140.6 | 5.0 | 160.3 | 5.9 |
| | 20 | 70.7 | 2.4 | 86.0 | 3.0 | 100.3 | 3.5 | 120.0 | 4.3 | 140.6 | 5.1 | 160.1 | 6.0 |
| | 25 | 70.7 | 2.5 | 86.0 | 3.0 | 100.3 | 3.6 | 120.0 | 4.4 | 140.6 | 5.2 | 158.5 | 6.1 |
| | 30 | 70.7 | 2.5 | 86.0 | 3.1 | 100.3 | 3.7 | 120.0 | 4.5 | 140.6 | 5.4 | 156.9 | 6.1 |
| | 35 | 70.7 | 2.6 | 86.0 | 3.2 | 100.3 | 3.8 | 120.0 | 4.6 | 140.6 | 5.5 | 155.5 | 6.2 |
| | 40 | 70.7 | 2.7 | 86.0 | 3.3 | 100.3 | 3.9 | 120.0 | 4.7 | 140.6 | 5.6 | 154.3 | 6.3 |
| | 45 | 70.7 | 2.7 | 86.0 | 3.3 | 100.3 | 4.0 | 120.0 | 4.8 | 140.6 | 5.8 | 153.3 | 6.4 |
| | 50 | 70.7 | 2.8 | 86.0 | 3.4 | 100.3 | 4.1 | 120.0 | 4.9 | 140.6 | 5.9 | 152.5 | 6.6 |
| | 55 | 70.7 | 2.9 | 86.0 | 3.5 | 100.3 | 4.2 | 120.0 | 5.1 | 140.6 | 6.1 | 152.0 | 6.7 |
| | 60 | 70.7 | 2.9 | 86.0 | 3.6 | 100.3 | 4.3 | 120.0 | 5.2 | 140.6 | 6.2 | 151.5 | 6.9 |
| | 65 | 70.7 | 3.0 | 86.0 | 3.7 | 100.3 | 4.4 | 120.0 | 5.4 | 140.6 | 6.4 | 151.0 | 7.1 |
| | 70 | 70.7 | 3.3 | 86.0 | 4.0 | 100.3 | 4.8 | 120.0 | 5.8 | 140.6 | 7.0 | 150.4 | 7.6 |
| | 75 | 70.7 | 3.6 | 86.0 | 4.4 | 100.3 | 5.2 | 120.0 | 6.4 | 140.6 | 7.7 | 149.5 | 8.3 |
| | 80 | 70.7 | 4.0 | 86.0 | 4.9 | 100.3 | 5.8 | 120.0 | 7.0 | 140.6 | 8.4 | 148.0 | 9.1 |
| | 85 | 70.7 | 4.4 | 86.0 | 5.4 | 100.3 | 6.3 | 120.0 | 7.7 | 140.6 | 9.2 | 145.7 | 9.8 |
| | 90 | 70.7 | 4.8 | 86.0 | 5.9 | 100.3 | 6.9 | 120.0 | 8.4 | 139.7 | 10.0 | 142.4 | 10.5 |
| | 95 | 70.7 | 5.2 | 86.0 | 6.4 | 100.3 | 7.6 | 120.0 | 9.2 | 135.2 | 10.6 | 137.8 | 11.1 |
| 100 | 70.7 | 5.7 | 86.0 | 7.0 | 100.3 | 8.2 | 120.0 | 10.0 | 128.9 | 11.0 | 131.4 | 11.5 | |
| 105 | 70.7 | 6.1 | 86.0 | 7.5 | 100.3 | 8.9 | 117.2 | 10.6 | 120.6 | 11.1 | 123.0 | 11.6 | |
| 110 | 70.7 | 6.5 | 86.0 | 8.0 | 100.3 | 9.5 | 106.8 | 10.3 | 109.9 | 10.8 | 112.0 | 11.3 | |
| 115 | 70.7 | 6.9 | 86.0 | 8.5 | 90.1 | 9.0 | 93.6 | 9.5 | 96.4 | 10.1 | 98.2 | 10.5 | |
| 118 | 70.7 | 7.1 | 78.2 | 8.0 | 80.9 | 8.3 | 84.0 | 8.8 | 86.5 | 9.3 | 88.2 | 9.7 | |
| 125 | 50.8 | 5.3 | 53.1 | 5.6 | 54.9 | 5.9 | 57.0 | 6.2 | 58.7 | 6.6 | 59.8 | 6.9 | |

NOTE - Power Input = Compressor + Outdoor Fan Motor.
 MBH = 1000 BTUs per hour.

COOLING CAPACITY - SINGLE MODULE | VRB120L4

| Combination (%) | Outdoor Temperature °F (Dry Bulb) | Indoor Temperature - °F (Dry Bulb / Wet Bulb) | | | | | | | | | | | |
|-----------------|-----------------------------------|---|-------------|------------|-------------|------------|-------------|------------|-------------|------------|-------------|------------|-------------|
| | | 67 / 57 | | 71 / 60 | | 75 / 63 | | 80 / 67 | | 85 / 71 | | 90 / 75 | |
| | | Total Cap. | Power Input | Total Cap. | Power Input | Total Cap. | Power Input | Total Cap. | Power Input | Total Cap. | Power Input | Total Cap. | Power Input |
| | | MBH | KW | MBH | KW | MBH | KW | MBH | KW | MBH | KW | MBH | KW |
| 90% | -10 | 63.7 | 1.9 | 77.4 | 2.3 | 90.3 | 2.7 | 108.0 | 3.3 | 126.5 | 4.0 | 144.3 | 4.7 |
| | -5 | 63.7 | 2.0 | 77.4 | 2.5 | 90.3 | 2.9 | 108.0 | 3.6 | 126.5 | 4.3 | 144.3 | 5.0 |
| | 10 | 63.7 | 2.1 | 77.4 | 2.5 | 90.3 | 3.0 | 108.0 | 3.6 | 126.5 | 4.3 | 144.3 | 5.1 |
| | 15 | 63.7 | 2.1 | 77.4 | 2.6 | 90.3 | 3.0 | 108.0 | 3.7 | 126.5 | 4.4 | 144.3 | 5.2 |
| | 20 | 63.7 | 2.1 | 77.4 | 2.6 | 90.3 | 3.1 | 108.0 | 3.8 | 126.5 | 4.5 | 144.3 | 5.3 |
| | 25 | 63.7 | 2.2 | 77.4 | 2.7 | 90.3 | 3.2 | 108.0 | 3.9 | 126.5 | 4.6 | 144.3 | 5.4 |
| | 30 | 63.7 | 2.2 | 77.4 | 2.8 | 90.3 | 3.3 | 108.0 | 4.0 | 126.5 | 4.8 | 144.3 | 5.6 |
| | 35 | 63.7 | 2.3 | 77.4 | 2.8 | 90.3 | 3.3 | 108.0 | 4.1 | 126.5 | 4.9 | 144.3 | 5.7 |
| | 40 | 63.7 | 2.4 | 77.4 | 2.9 | 90.3 | 3.4 | 108.0 | 4.2 | 126.5 | 5.0 | 144.3 | 5.8 |
| | 45 | 63.7 | 2.4 | 77.4 | 3.0 | 90.3 | 3.5 | 108.0 | 4.3 | 126.5 | 5.1 | 144.3 | 6.0 |
| | 50 | 63.7 | 2.5 | 77.4 | 3.0 | 90.3 | 3.6 | 108.0 | 4.4 | 126.5 | 5.2 | 144.3 | 6.1 |
| | 55 | 63.7 | 2.5 | 77.4 | 3.1 | 90.3 | 3.7 | 108.0 | 4.5 | 126.5 | 5.4 | 144.3 | 6.3 |
| | 60 | 63.7 | 2.6 | 77.4 | 3.2 | 90.3 | 3.8 | 108.0 | 4.6 | 126.5 | 5.5 | 144.3 | 6.5 |
| | 65 | 63.7 | 2.7 | 77.4 | 3.3 | 90.3 | 3.9 | 108.0 | 4.7 | 126.5 | 5.7 | 144.3 | 6.6 |
| | 70 | 63.7 | 2.9 | 77.4 | 3.6 | 90.3 | 4.2 | 108.0 | 5.2 | 126.5 | 6.2 | 144.3 | 7.2 |
| | 75 | 63.7 | 3.2 | 77.4 | 3.9 | 90.3 | 4.6 | 108.0 | 5.7 | 126.5 | 6.8 | 144.3 | 7.9 |
| | 80 | 63.7 | 3.5 | 77.4 | 4.3 | 90.3 | 5.1 | 108.0 | 6.2 | 126.5 | 7.5 | 144.3 | 8.7 |
| | 85 | 63.7 | 3.9 | 77.4 | 4.7 | 90.3 | 5.6 | 108.0 | 6.8 | 126.5 | 8.2 | 142.8 | 9.5 |
| | 90 | 63.7 | 4.2 | 77.4 | 5.2 | 90.3 | 6.1 | 108.0 | 7.5 | 126.5 | 9.0 | 139.6 | 10.1 |
| | 95 | 63.7 | 4.6 | 77.4 | 5.7 | 90.3 | 6.7 | 108.0 | 8.2 | 126.5 | 9.8 | 137.8 | 10.9 |
| 100 | 63.7 | 5.0 | 77.4 | 6.2 | 90.3 | 7.3 | 108.0 | 8.9 | 126.3 | 10.6 | 131.4 | 11.3 | |
| 105 | 63.7 | 5.4 | 77.4 | 6.7 | 90.3 | 7.9 | 108.0 | 9.6 | 120.6 | 11.0 | 123.0 | 11.4 | |
| 110 | 63.7 | 5.8 | 77.4 | 7.1 | 90.3 | 8.4 | 106.8 | 10.1 | 109.9 | 10.7 | 112.0 | 11.1 | |
| 115 | 63.7 | 6.1 | 77.4 | 7.5 | 90.1 | 8.9 | 93.6 | 9.4 | 96.4 | 9.9 | 98.2 | 10.3 | |
| 118 | 63.7 | 6.3 | 77.4 | 7.8 | 80.9 | 8.2 | 84.0 | 8.7 | 86.5 | 9.1 | 88.2 | 9.5 | |
| 125 | 50.8 | 5.3 | 53.1 | 5.5 | 54.9 | 5.8 | 57.0 | 6.1 | 58.7 | 6.5 | 59.8 | 6.8 | |
| 80% | -10 | 56.6 | 1.7 | 68.8 | 2.0 | 80.2 | 2.4 | 96.0 | 2.9 | 112.5 | 3.5 | 128.2 | 4.1 |
| | -5 | 56.6 | 1.8 | 68.8 | 2.2 | 80.2 | 2.6 | 96.0 | 3.1 | 112.5 | 3.7 | 128.2 | 4.4 |
| | 10 | 56.6 | 1.8 | 68.8 | 2.2 | 80.2 | 2.6 | 96.0 | 3.2 | 112.5 | 3.8 | 128.2 | 4.4 |
| | 15 | 56.6 | 1.8 | 68.8 | 2.3 | 80.2 | 2.7 | 96.0 | 3.3 | 112.5 | 3.9 | 128.2 | 4.5 |
| | 20 | 56.6 | 1.9 | 68.8 | 2.3 | 80.2 | 2.7 | 96.0 | 3.3 | 112.5 | 4.0 | 128.2 | 4.6 |
| | 25 | 56.6 | 1.9 | 68.8 | 2.4 | 80.2 | 2.8 | 96.0 | 3.4 | 112.5 | 4.1 | 128.2 | 4.8 |
| | 30 | 56.6 | 2.0 | 68.8 | 2.4 | 80.2 | 2.9 | 96.0 | 3.5 | 112.5 | 4.2 | 128.2 | 4.9 |
| | 35 | 56.6 | 2.0 | 68.8 | 2.5 | 80.2 | 2.9 | 96.0 | 3.6 | 112.5 | 4.3 | 128.2 | 5.0 |
| | 40 | 56.6 | 2.1 | 68.8 | 2.5 | 80.2 | 3.0 | 96.0 | 3.6 | 112.5 | 4.4 | 128.2 | 5.1 |
| | 45 | 56.6 | 2.1 | 68.8 | 2.6 | 80.2 | 3.1 | 96.0 | 3.7 | 112.5 | 4.5 | 128.2 | 5.2 |
| | 50 | 56.6 | 2.2 | 68.8 | 2.7 | 80.2 | 3.1 | 96.0 | 3.8 | 112.5 | 4.6 | 128.2 | 5.4 |
| | 55 | 56.6 | 2.2 | 68.8 | 2.7 | 80.2 | 3.2 | 96.0 | 3.9 | 112.5 | 4.7 | 128.2 | 5.5 |
| | 60 | 56.6 | 2.3 | 68.8 | 2.8 | 80.2 | 3.3 | 96.0 | 4.0 | 112.5 | 4.8 | 128.2 | 5.7 |
| | 65 | 56.6 | 2.4 | 68.8 | 2.9 | 80.2 | 3.4 | 96.0 | 4.2 | 112.5 | 5.0 | 128.2 | 5.8 |
| | 70 | 56.6 | 2.6 | 68.8 | 3.1 | 80.2 | 3.7 | 96.0 | 4.5 | 112.5 | 5.4 | 128.2 | 6.3 |
| | 75 | 56.6 | 2.8 | 68.8 | 3.4 | 80.2 | 4.1 | 96.0 | 5.0 | 112.5 | 5.9 | 128.2 | 6.9 |
| | 80 | 56.6 | 3.1 | 68.8 | 3.8 | 80.2 | 4.5 | 96.0 | 5.5 | 112.5 | 6.5 | 128.2 | 7.6 |
| | 85 | 56.6 | 3.4 | 68.8 | 4.2 | 80.2 | 4.9 | 96.0 | 6.0 | 112.5 | 7.2 | 128.2 | 8.4 |
| | 90 | 56.6 | 3.7 | 68.8 | 4.6 | 80.2 | 5.4 | 96.0 | 6.6 | 112.5 | 7.8 | 128.2 | 9.2 |
| | 95 | 56.6 | 4.0 | 68.8 | 5.0 | 80.2 | 5.9 | 96.0 | 7.2 | 112.5 | 8.6 | 128.2 | 10.0 |
| 100 | 56.6 | 4.4 | 68.8 | 5.4 | 80.2 | 6.4 | 96.0 | 7.8 | 112.5 | 9.3 | 128.2 | 10.9 | |
| 105 | 56.6 | 4.7 | 68.8 | 5.8 | 80.2 | 6.9 | 96.0 | 8.4 | 112.5 | 10.1 | 123.0 | 11.3 | |
| 110 | 56.6 | 5.1 | 68.8 | 6.2 | 80.2 | 7.4 | 96.0 | 9.0 | 109.9 | 10.5 | 112.0 | 11.0 | |
| 115 | 56.6 | 5.4 | 68.8 | 6.6 | 80.2 | 7.8 | 93.6 | 9.3 | 96.4 | 9.8 | 98.2 | 10.2 | |
| 118 | 56.6 | 5.5 | 68.8 | 6.8 | 80.2 | 8.0 | 84.0 | 8.6 | 86.5 | 9.0 | 88.2 | 9.4 | |
| 125 | 50.8 | 5.2 | 53.1 | 5.5 | 54.9 | 5.7 | 57.0 | 6.1 | 58.7 | 6.4 | 59.8 | 6.7 | |

NOTE - Power Input = Compressor + Outdoor Fan Motor.
 MBH = 1000 BTUs per hour.

COOLING CAPACITY - SINGLE MODULE | VRB120L4

| Combination (%) | Outdoor Temperature °F (Dry Bulb) | Indoor Temperature - °F (Dry Bulb / Wet Bulb) | | | | | | | | | | | |
|-----------------|-----------------------------------|---|-------------|------------|-------------|------------|-------------|------------|-------------|------------|-------------|------------|-------------|
| | | 67 / 57 | | 71 / 60 | | 75 / 63 | | 80 / 67 | | 85 / 71 | | 90 / 75 | |
| | | Total Cap. | Power Input | Total Cap. | Power Input | Total Cap. | Power Input | Total Cap. | Power Input | Total Cap. | Power Input | Total Cap. | Power Input |
| | | MBH | kW | MBH | kW | MBH | kW | MBH | kW | MBH | kW | MBH | kW |
| 70% | -10 | 49.5 | 1.4 | 60.2 | 1.8 | 70.2 | 2.1 | 84.0 | 2.5 | 98.4 | 3.0 | 112.2 | 3.5 |
| | -5 | 49.5 | 1.5 | 60.2 | 1.9 | 70.2 | 2.2 | 84.0 | 2.7 | 98.4 | 3.2 | 112.2 | 3.8 |
| | 10 | 49.5 | 1.6 | 60.2 | 1.9 | 70.2 | 2.3 | 84.0 | 2.7 | 98.4 | 3.3 | 112.2 | 3.8 |
| | 15 | 49.5 | 1.6 | 60.2 | 1.9 | 70.2 | 2.3 | 84.0 | 2.8 | 98.4 | 3.4 | 112.2 | 3.9 |
| | 20 | 49.5 | 1.6 | 60.2 | 2.0 | 70.2 | 2.4 | 84.0 | 2.9 | 98.4 | 3.4 | 112.2 | 4.0 |
| | 25 | 49.5 | 1.7 | 60.2 | 2.0 | 70.2 | 2.4 | 84.0 | 2.9 | 98.4 | 3.5 | 112.2 | 4.1 |
| | 30 | 49.5 | 1.7 | 60.2 | 2.1 | 70.2 | 2.5 | 84.0 | 3.0 | 98.4 | 3.6 | 112.2 | 4.2 |
| | 35 | 49.5 | 1.7 | 60.2 | 2.1 | 70.2 | 2.5 | 84.0 | 3.1 | 98.4 | 3.7 | 112.2 | 4.3 |
| | 40 | 49.5 | 1.8 | 60.2 | 2.2 | 70.2 | 2.6 | 84.0 | 3.1 | 98.4 | 3.8 | 112.2 | 4.4 |
| | 45 | 49.5 | 1.8 | 60.2 | 2.2 | 70.2 | 2.6 | 84.0 | 3.2 | 98.4 | 3.9 | 112.2 | 4.5 |
| | 50 | 49.5 | 1.9 | 60.2 | 2.3 | 70.2 | 2.7 | 84.0 | 3.3 | 98.4 | 4.0 | 112.2 | 4.6 |
| | 55 | 49.5 | 1.9 | 60.2 | 2.4 | 70.2 | 2.8 | 84.0 | 3.4 | 98.4 | 4.1 | 112.2 | 4.7 |
| | 60 | 49.5 | 2.0 | 60.2 | 2.4 | 70.2 | 2.9 | 84.0 | 3.5 | 98.4 | 4.2 | 112.2 | 4.9 |
| | 65 | 49.5 | 2.0 | 60.2 | 2.5 | 70.2 | 2.9 | 84.0 | 3.6 | 98.4 | 4.3 | 112.2 | 5.0 |
| | 70 | 49.5 | 2.2 | 60.2 | 2.7 | 70.2 | 3.2 | 84.0 | 3.9 | 98.4 | 4.7 | 112.2 | 5.5 |
| | 75 | 49.5 | 2.4 | 60.2 | 3.0 | 70.2 | 3.5 | 84.0 | 4.3 | 98.4 | 5.1 | 112.2 | 6.0 |
| | 80 | 49.5 | 2.7 | 60.2 | 3.3 | 70.2 | 3.9 | 84.0 | 4.7 | 98.4 | 5.6 | 112.2 | 6.6 |
| | 85 | 49.5 | 2.9 | 60.2 | 3.6 | 70.2 | 4.2 | 84.0 | 5.2 | 98.4 | 6.2 | 112.2 | 7.2 |
| | 90 | 49.5 | 3.2 | 60.2 | 3.9 | 70.2 | 4.6 | 84.0 | 5.7 | 98.4 | 6.8 | 112.2 | 7.9 |
| | 95 | 49.5 | 3.5 | 60.2 | 4.3 | 70.2 | 5.1 | 84.0 | 6.2 | 98.4 | 7.4 | 112.2 | 8.6 |
| 100 | 49.5 | 3.8 | 60.2 | 4.7 | 70.2 | 5.5 | 84.0 | 6.7 | 98.4 | 8.0 | 112.2 | 9.4 | |
| 105 | 49.5 | 4.1 | 60.2 | 5.0 | 70.2 | 5.9 | 84.0 | 7.2 | 98.4 | 8.7 | 112.2 | 10.1 | |
| 110 | 49.5 | 4.4 | 60.2 | 5.4 | 70.2 | 6.4 | 84.0 | 7.8 | 98.4 | 9.3 | 112.0 | 10.8 | |
| 115 | 49.5 | 4.6 | 60.2 | 5.7 | 70.2 | 6.7 | 84.0 | 8.2 | 96.4 | 9.6 | 98.2 | 10.0 | |
| 118 | 49.5 | 4.8 | 60.2 | 5.9 | 70.2 | 6.9 | 84.0 | 8.4 | 86.5 | 8.9 | 88.2 | 9.3 | |
| 125 | 47.8 | 4.8 | 53.1 | 5.4 | 54.9 | 5.6 | 57.0 | 6.0 | 58.7 | 6.3 | 59.8 | 6.6 | |
| 60% | -10 | 42.4 | 1.2 | 51.6 | 1.5 | 60.2 | 1.8 | 72.0 | 2.1 | 84.4 | 2.6 | 96.2 | 3.0 |
| | -5 | 42.4 | 1.3 | 51.6 | 1.6 | 60.2 | 1.9 | 72.0 | 2.3 | 84.4 | 2.7 | 96.2 | 3.2 |
| | 10 | 42.4 | 1.3 | 51.6 | 1.6 | 60.2 | 1.9 | 72.0 | 2.3 | 84.4 | 2.8 | 96.2 | 3.2 |
| | 15 | 42.4 | 1.3 | 51.6 | 1.6 | 60.2 | 1.9 | 72.0 | 2.4 | 84.4 | 2.8 | 96.2 | 3.3 |
| | 20 | 42.4 | 1.4 | 51.6 | 1.7 | 60.2 | 2.0 | 72.0 | 2.4 | 84.4 | 2.9 | 96.2 | 3.4 |
| | 25 | 42.4 | 1.4 | 51.6 | 1.7 | 60.2 | 2.0 | 72.0 | 2.5 | 84.4 | 3.0 | 96.2 | 3.5 |
| | 30 | 42.4 | 1.4 | 51.6 | 1.8 | 60.2 | 2.1 | 72.0 | 2.5 | 84.4 | 3.0 | 96.2 | 3.5 |
| | 35 | 42.4 | 1.5 | 51.6 | 1.8 | 60.2 | 2.1 | 72.0 | 2.6 | 84.4 | 3.1 | 96.2 | 3.6 |
| | 40 | 42.4 | 1.5 | 51.6 | 1.8 | 60.2 | 2.2 | 72.0 | 2.7 | 84.4 | 3.2 | 96.2 | 3.7 |
| | 45 | 42.4 | 1.5 | 51.6 | 1.9 | 60.2 | 2.2 | 72.0 | 2.7 | 84.4 | 3.3 | 96.2 | 3.8 |
| | 50 | 42.4 | 1.6 | 51.6 | 1.9 | 60.2 | 2.3 | 72.0 | 2.8 | 84.4 | 3.3 | 96.2 | 3.9 |
| | 55 | 42.4 | 1.6 | 51.6 | 2.0 | 60.2 | 2.4 | 72.0 | 2.9 | 84.4 | 3.4 | 96.2 | 4.0 |
| | 60 | 42.4 | 1.7 | 51.6 | 2.0 | 60.2 | 2.4 | 72.0 | 2.9 | 84.4 | 3.5 | 96.2 | 4.1 |
| | 65 | 42.4 | 1.7 | 51.6 | 2.1 | 60.2 | 2.5 | 72.0 | 3.0 | 84.4 | 3.6 | 96.2 | 4.2 |
| | 70 | 42.4 | 1.9 | 51.6 | 2.3 | 60.2 | 2.7 | 72.0 | 3.3 | 84.4 | 3.9 | 96.2 | 4.6 |
| | 75 | 42.4 | 2.0 | 51.6 | 2.5 | 60.2 | 3.0 | 72.0 | 3.6 | 84.4 | 4.3 | 96.2 | 5.1 |
| | 80 | 42.4 | 2.2 | 51.6 | 2.8 | 60.2 | 3.3 | 72.0 | 4.0 | 84.4 | 4.8 | 96.2 | 5.6 |
| | 85 | 42.4 | 2.5 | 51.6 | 3.0 | 60.2 | 3.6 | 72.0 | 4.4 | 84.4 | 5.2 | 96.2 | 6.1 |
| | 90 | 42.4 | 2.7 | 51.6 | 3.3 | 60.2 | 3.9 | 72.0 | 4.8 | 84.4 | 5.7 | 96.2 | 6.7 |
| | 95 | 42.4 | 2.9 | 51.6 | 3.6 | 60.2 | 4.3 | 72.0 | 5.2 | 84.4 | 6.2 | 96.2 | 7.3 |
| 100 | 42.4 | 3.2 | 51.6 | 3.9 | 60.2 | 4.7 | 72.0 | 5.7 | 84.4 | 6.8 | 96.2 | 7.9 | |
| 105 | 42.4 | 3.5 | 51.6 | 4.3 | 60.2 | 5.0 | 72.0 | 6.1 | 84.4 | 7.3 | 96.2 | 8.6 | |
| 110 | 42.4 | 3.7 | 51.6 | 4.6 | 60.2 | 5.4 | 72.0 | 6.6 | 84.4 | 7.8 | 96.2 | 9.2 | |
| 115 | 42.4 | 3.9 | 51.6 | 4.8 | 60.2 | 5.7 | 72.0 | 6.9 | 84.4 | 8.3 | 96.2 | 9.7 | |
| 118 | 42.4 | 4.0 | 51.6 | 5.0 | 60.2 | 5.8 | 72.0 | 7.1 | 84.4 | 8.5 | 88.2 | 9.1 | |
| 125 | 42.4 | 4.2 | 51.6 | 5.2 | 54.9 | 5.6 | 57.0 | 5.9 | 58.7 | 6.2 | 59.8 | 6.5 | |

NOTE - Power Input = Compressor + Outdoor Fan Motor.
 MBH = 1000 BTUs per hour.

COOLING CAPACITY - SINGLE MODULE | VRB120L4

| Combination (%) | Outdoor Temperature °F (Dry Bulb) | Indoor Temperature - °F (Dry Bulb / Wet Bulb) | | | | | | | | | | | |
|-----------------|-----------------------------------|---|-------------|------------|-------------|------------|-------------|------------|-------------|------------|-------------|------------|-------------|
| | | 67 / 57 | | 71 / 60 | | 75 / 63 | | 80 / 67 | | 85 / 71 | | 90 / 75 | |
| | | Total Cap. | Power Input | Total Cap. | Power Input | Total Cap. | Power Input | Total Cap. | Power Input | Total Cap. | Power Input | Total Cap. | Power Input |
| | | MBH | kW | MBH | kW | MBH | kW | MBH | kW | MBH | kW | MBH | kW |
| 50% | -10 | 32.6 | 0.9 | 43.0 | 1.2 | 50.1 | 1.4 | 60.0 | 1.8 | 70.3 | 2.1 | 80.1 | 2.5 |
| | -5 | 35.4 | 1.1 | 43.0 | 1.3 | 50.1 | 1.5 | 60.0 | 1.9 | 70.3 | 2.2 | 80.1 | 2.6 |
| | 10 | 35.4 | 1.1 | 43.0 | 1.3 | 50.1 | 1.6 | 60.0 | 1.9 | 70.3 | 2.3 | 80.1 | 2.7 |
| | 15 | 35.4 | 1.1 | 43.0 | 1.4 | 50.1 | 1.6 | 60.0 | 1.9 | 70.3 | 2.3 | 80.1 | 2.7 |
| | 20 | 35.4 | 1.1 | 43.0 | 1.4 | 50.1 | 1.6 | 60.0 | 2.0 | 70.3 | 2.4 | 80.1 | 2.8 |
| | 25 | 35.4 | 1.2 | 43.0 | 1.4 | 50.1 | 1.7 | 60.0 | 2.0 | 70.3 | 2.4 | 80.1 | 2.8 |
| | 30 | 35.4 | 1.2 | 43.0 | 1.4 | 50.1 | 1.7 | 60.0 | 2.1 | 70.3 | 2.5 | 80.1 | 2.9 |
| | 35 | 35.4 | 1.2 | 43.0 | 1.5 | 50.1 | 1.7 | 60.0 | 2.1 | 70.3 | 2.6 | 80.1 | 3.0 |
| | 40 | 35.4 | 1.2 | 43.0 | 1.5 | 50.1 | 1.8 | 60.0 | 2.2 | 70.3 | 2.6 | 80.1 | 3.1 |
| | 45 | 35.4 | 1.3 | 43.0 | 1.6 | 50.1 | 1.8 | 60.0 | 2.2 | 70.3 | 2.7 | 80.1 | 3.1 |
| | 50 | 35.4 | 1.3 | 43.0 | 1.6 | 50.1 | 1.9 | 60.0 | 2.3 | 70.3 | 2.8 | 80.1 | 3.2 |
| | 55 | 35.4 | 1.3 | 43.0 | 1.6 | 50.1 | 1.9 | 60.0 | 2.4 | 70.3 | 2.8 | 80.1 | 3.3 |
| | 60 | 35.4 | 1.4 | 43.0 | 1.7 | 50.1 | 2.0 | 60.0 | 2.4 | 70.3 | 2.9 | 80.1 | 3.4 |
| | 65 | 35.4 | 1.4 | 43.0 | 1.7 | 50.1 | 2.0 | 60.0 | 2.5 | 70.3 | 3.0 | 80.1 | 3.5 |
| | 70 | 35.4 | 1.5 | 43.0 | 1.9 | 50.1 | 2.2 | 60.0 | 2.7 | 70.3 | 3.2 | 80.1 | 3.8 |
| | 75 | 35.4 | 1.7 | 43.0 | 2.1 | 50.1 | 2.4 | 60.0 | 3.0 | 70.3 | 3.6 | 80.1 | 4.2 |
| | 80 | 35.4 | 1.8 | 43.0 | 2.3 | 50.1 | 2.7 | 60.0 | 3.3 | 70.3 | 3.9 | 80.1 | 4.6 |
| | 85 | 35.4 | 2.0 | 43.0 | 2.5 | 50.1 | 2.9 | 60.0 | 3.6 | 70.3 | 4.3 | 80.1 | 5.0 |
| | 90 | 35.4 | 2.2 | 43.0 | 2.7 | 50.1 | 3.2 | 60.0 | 3.9 | 70.3 | 4.7 | 80.1 | 5.5 |
| | 95 | 35.4 | 2.4 | 43.0 | 3.0 | 50.1 | 3.5 | 60.0 | 4.3 | 70.3 | 5.1 | 80.1 | 6.0 |
| 100 | 35.4 | 2.6 | 43.0 | 3.2 | 50.1 | 3.8 | 60.0 | 4.7 | 70.3 | 5.6 | 80.1 | 6.5 | |
| 105 | 35.4 | 2.8 | 43.0 | 3.5 | 50.1 | 4.1 | 60.0 | 5.0 | 70.3 | 6.0 | 80.1 | 7.0 | |
| 110 | 35.4 | 3.0 | 43.0 | 3.7 | 50.1 | 4.4 | 60.0 | 5.4 | 70.3 | 6.4 | 80.1 | 7.5 | |
| 115 | 35.4 | 3.2 | 43.0 | 4.0 | 50.1 | 4.7 | 60.0 | 5.7 | 70.3 | 6.8 | 80.1 | 8.0 | |
| 118 | 35.4 | 3.3 | 43.0 | 4.1 | 50.1 | 4.8 | 60.0 | 5.9 | 70.3 | 7.0 | 80.1 | 8.2 | |
| 125 | 35.4 | 3.5 | 43.0 | 4.2 | 50.1 | 5.0 | 57.0 | 5.8 | 58.7 | 6.1 | 59.8 | 6.4 | |

NOTE - Power Input = Compressor + Outdoor Fan Motor.
 MBH = 1000 BTUs per hour.

HEATING CAPACITY - SINGLE MODULE | VRB120L4

| Combination (%) | Outdoor Temperature (°F) | | Indoor Temperature - °F Dry Bulb | | | | | | | | | | | |
|-----------------|--------------------------|----------|----------------------------------|----------------|----------------|----------------|----------------|----------------|----------------|----------------|----------------|----------------|----------------|----------------|
| | | | 61 | | 64 | | 67 | | 70 | | 73 | | 75 | |
| | Dry Bulb | Wet Bulb | Total Cap. MBH | Power Input kW | Total Cap. MBH | Power Input kW | Total Cap. MBH | Power Input kW | Total Cap. MBH | Power Input kW | Total Cap. MBH | Power Input kW | Total Cap. MBH | Power Input kW |
| 130% | -22 | -23 | 88.0 | 13.00 | 86.2 | 13.38 | 84.6 | 13.74 | 83.1 | 14.15 | 81.7 | 14.57 | 80.9 | 14.86 |
| | -17 | -18 | 105.1 | 14.30 | 103.2 | 14.67 | 101.6 | 15.04 | 100.0 | 15.45 | 98.6 | 15.87 | 97.8 | 16.16 |
| | -13 | -14 | 117.8 | 15.50 | 117.4 | 15.99 | 117.1 | 16.46 | 116.7 | 16.98 | 116.4 | 17.52 | 116.2 | 17.87 |
| | -8 | -9 | 125.2 | 16.05 | 125.4 | 16.59 | 125.5 | 17.11 | 125.6 | 17.67 | 125.7 | 18.25 | 125.7 | 18.64 |
| | -3 | -4 | 130.8 | 16.40 | 130.9 | 16.94 | 131.0 | 17.47 | 131.1 | 18.04 | 131.2 | 18.63 | 131.2 | 19.02 |
| | 2 | 1 | 136.7 | 16.62 | 136.7 | 17.16 | 136.7 | 17.68 | 136.7 | 18.25 | 136.6 | 18.83 | 136.5 | 19.22 |
| | 7 | 6 | 142.8 | 16.69 | 142.6 | 17.21 | 142.4 | 17.72 | 142.1 | 18.28 | 141.9 | 18.86 | 141.7 | 19.24 |
| | 12 | 10 | 148.3 | 16.80 | 147.9 | 17.32 | 147.6 | 17.82 | 147.2 | 18.38 | 146.8 | 18.95 | 146.6 | 19.33 |
| | 17 | 15 | 156.1 | 17.00 | 155.6 | 17.52 | 155.1 | 18.02 | 154.5 | 18.57 | 153.9 | 19.13 | 153.6 | 19.51 |
| | 22 | 20 | 164.4 | 17.27 | 163.7 | 17.78 | 163.0 | 18.28 | 162.3 | 18.82 | 164.4 | 19.68 | 157.2 | 18.48 |
| | 27 | 24 | 171.9 | 17.54 | 171.1 | 18.05 | 170.3 | 18.55 | 169.4 | 19.09 | 164.4 | 18.26 | 157.2 | 17.09 |
| | 32 | 29 | 181.3 | 17.90 | 180.3 | 18.42 | 179.4 | 18.92 | 175.5 | 18.34 | 164.4 | 16.54 | 157.2 | 15.40 |
| | 37 | 34 | 191.5 | 18.34 | 190.3 | 18.86 | 186.6 | 18.24 | 175.5 | 16.49 | 164.4 | 14.79 | 157.2 | 13.98 |
| | 42 | 38 | 199.8 | 18.73 | 197.0 | 18.36 | 186.6 | 16.73 | 175.5 | 15.04 | 164.4 | 13.77 | 157.2 | 13.01 |
| | 47 | 43 | 208.1 | 18.08 | 197.0 | 16.41 | 186.6 | 14.86 | 175.5 | 13.67 | 164.4 | 12.55 | 157.2 | 11.85 |
| | 52 | 47 | 208.1 | 16.53 | 197.0 | 14.92 | 186.6 | 13.81 | 175.5 | 12.71 | 164.4 | 11.66 | 157.2 | 11.00 |
| | 57 | 52 | 208.1 | 14.65 | 197.0 | 13.57 | 186.6 | 12.59 | 175.5 | 11.58 | 164.4 | 10.61 | 157.2 | 10.00 |
| | 62 | 56 | 208.1 | 13.63 | 197.0 | 12.62 | 186.6 | 11.69 | 175.5 | 10.74 | 164.4 | 9.82 | 157.2 | 9.28 |
| | 67 | 61 | 208.1 | 12.42 | 197.0 | 11.47 | 186.6 | 10.60 | 175.5 | 9.72 | 164.4 | 8.94 | 157.2 | 8.48 |
| | 72 | 66 | 208.1 | 11.26 | 197.0 | 10.38 | 186.6 | 9.58 | 175.5 | 8.83 | 164.4 | 8.15 | 157.2 | 7.72 |
| 75 | 69 | 208.1 | 10.60 | 197.0 | 9.74 | 186.6 | 8.99 | 175.5 | 8.33 | 164.4 | 7.70 | 157.2 | 7.30 | |
| 80 | 74 | 208.1 | 9.53 | 197.0 | 8.82 | 186.6 | 8.21 | 175.5 | 7.60 | 164.4 | 7.03 | 157.2 | 6.67 | |
| 120% | -22 | -23 | 86.9 | 13.17 | 85.2 | 13.55 | 83.7 | 13.93 | 82.2 | 14.34 | 80.9 | 14.76 | 80.1 | 15.05 |
| | -17 | -18 | 103.5 | 14.50 | 101.8 | 14.88 | 100.3 | 15.25 | 98.8 | 15.66 | 97.4 | 16.10 | 96.6 | 16.39 |
| | -13 | -14 | 117.1 | 15.80 | 116.7 | 16.30 | 116.4 | 16.78 | 116.0 | 17.30 | 115.8 | 17.85 | 115.6 | 18.21 |
| | -8 | -9 | 124.8 | 16.40 | 125.0 | 16.95 | 125.1 | 17.47 | 125.2 | 18.05 | 125.2 | 18.64 | 125.3 | 19.03 |
| | -3 | -4 | 130.4 | 16.77 | 130.5 | 17.32 | 130.6 | 17.86 | 130.7 | 18.44 | 130.7 | 19.04 | 130.7 | 19.44 |
| | 2 | 1 | 136.2 | 17.00 | 136.2 | 17.55 | 136.2 | 18.08 | 136.1 | 18.66 | 136.0 | 19.26 | 135.7 | 19.60 |
| | 7 | 6 | 142.1 | 17.08 | 141.9 | 17.62 | 141.7 | 18.14 | 141.5 | 18.71 | 141.2 | 19.30 | 140.6 | 19.59 |
| | 12 | 10 | 147.5 | 17.20 | 147.2 | 17.73 | 146.8 | 18.25 | 146.4 | 18.81 | 146.0 | 19.40 | 145.1 | 19.35 |
| | 17 | 15 | 155.2 | 17.42 | 154.6 | 17.95 | 154.1 | 18.46 | 153.6 | 19.02 | 151.8 | 18.98 | 145.1 | 17.88 |
| | 22 | 20 | 163.3 | 17.71 | 162.6 | 18.23 | 161.9 | 18.74 | 162.0 | 19.12 | 151.8 | 17.43 | 145.1 | 16.34 |
| | 27 | 24 | 170.7 | 18.00 | 169.8 | 18.52 | 172.2 | 19.36 | 162.0 | 17.70 | 151.8 | 16.05 | 145.1 | 14.99 |
| | 32 | 29 | 179.8 | 18.39 | 181.9 | 19.17 | 172.2 | 17.62 | 162.0 | 16.01 | 151.8 | 14.51 | 145.1 | 13.74 |
| | 37 | 34 | 192.1 | 18.87 | 181.9 | 17.28 | 172.2 | 15.79 | 162.0 | 14.37 | 151.8 | 13.24 | 145.1 | 12.52 |
| | 42 | 38 | 192.1 | 17.34 | 181.9 | 15.80 | 172.2 | 14.45 | 162.0 | 13.36 | 151.8 | 12.30 | 145.1 | 11.63 |
| | 47 | 43 | 192.1 | 15.45 | 181.9 | 14.15 | 172.2 | 13.17 | 162.0 | 12.17 | 151.8 | 11.20 | 145.1 | 10.59 |
| | 52 | 47 | 192.1 | 14.16 | 181.9 | 13.15 | 172.2 | 12.24 | 162.0 | 11.30 | 151.8 | 10.39 | 145.1 | 9.83 |
| | 57 | 52 | 192.1 | 12.91 | 181.9 | 11.97 | 172.2 | 11.14 | 162.0 | 10.27 | 151.8 | 9.44 | 145.1 | 8.99 |
| | 62 | 56 | 192.1 | 11.97 | 181.9 | 11.11 | 172.2 | 10.32 | 162.0 | 9.50 | 151.8 | 8.80 | 145.1 | 8.38 |
| | 67 | 61 | 192.1 | 10.87 | 181.9 | 10.06 | 172.2 | 9.32 | 162.0 | 8.66 | 151.8 | 8.04 | 145.1 | 7.63 |
| | 72 | 66 | 192.1 | 9.81 | 181.9 | 9.08 | 172.2 | 8.48 | 162.0 | 7.89 | 151.8 | 7.31 | 145.1 | 6.95 |
| 75 | 69 | 192.1 | 9.19 | 181.9 | 8.56 | 172.2 | 8.00 | 162.0 | 7.45 | 151.8 | 6.91 | 145.1 | 6.57 | |
| 80 | 74 | 192.1 | 8.36 | 181.9 | 7.80 | 172.2 | 7.30 | 162.0 | 6.80 | 151.8 | 6.32 | 145.1 | 6.03 | |

NOTE - Power Input = Compressor + Outdoor Fan Motor.
 MBH = 1000 BTUs per hour.

HEATING CAPACITY - SINGLE MODULE | VRB120L4

| Combination (%) | Outdoor Temperature (°F) | | Indoor Temperature - °F Dry Bulb | | | | | | | | | | | |
|-----------------|--------------------------|----------|----------------------------------|----------------|----------------|----------------|----------------|----------------|----------------|----------------|----------------|----------------|----------------|----------------|
| | | | 61 | | 64 | | 67 | | 70 | | 73 | | 75 | |
| | Dry Bulb | Wet Bulb | Total Cap. MBH | Power Input kW | Total Cap. MBH | Power Input kW | Total Cap. MBH | Power Input kW | Total Cap. MBH | Power Input kW | Total Cap. MBH | Power Input kW | Total Cap. MBH | Power Input kW |
| 110% | -22 | -23 | 85.6 | 13.37 | 84.0 | 13.76 | 82.6 | 14.14 | 81.3 | 14.56 | 80.0 | 14.99 | 79.3 | 15.28 |
| | -17 | -18 | 102.0 | 14.74 | 100.3 | 15.12 | 98.9 | 15.50 | 97.5 | 15.92 | 96.2 | 16.36 | 95.5 | 16.66 |
| | -13 | -14 | 116.3 | 16.16 | 116.0 | 16.66 | 115.7 | 17.15 | 115.4 | 17.69 | 115.1 | 18.25 | 115.0 | 18.62 |
| | -8 | -9 | 124.5 | 16.82 | 124.6 | 17.38 | 124.7 | 17.92 | 124.8 | 18.51 | 124.8 | 19.11 | 124.9 | 19.52 |
| | -3 | -4 | 130.0 | 17.22 | 130.1 | 17.78 | 130.2 | 18.33 | 130.2 | 18.93 | 130.3 | 19.55 | 128.6 | 19.59 |
| | 2 | 1 | 135.8 | 17.47 | 135.7 | 18.03 | 135.7 | 18.57 | 135.6 | 19.17 | 134.7 | 19.60 | 133.0 | 19.44 |
| | 7 | 6 | 141.5 | 17.55 | 141.3 | 18.10 | 141.0 | 18.64 | 140.8 | 19.22 | 139.1 | 19.24 | 133.0 | 18.27 |
| | 12 | 10 | 146.7 | 17.69 | 146.4 | 18.23 | 146.0 | 18.76 | 148.5 | 19.72 | 139.1 | 18.20 | 133.0 | 17.22 |
| | 17 | 15 | 154.2 | 17.93 | 153.7 | 18.47 | 153.1 | 19.00 | 148.5 | 18.25 | 139.1 | 16.74 | 133.0 | 15.74 |
| | 22 | 20 | 162.1 | 18.24 | 161.4 | 18.78 | 157.9 | 18.22 | 148.5 | 16.71 | 139.1 | 15.21 | 133.0 | 14.39 |
| | 27 | 24 | 169.3 | 18.55 | 166.7 | 18.22 | 157.9 | 16.83 | 148.5 | 15.34 | 139.1 | 14.09 | 133.0 | 13.38 |
| | 32 | 29 | 176.1 | 17.98 | 166.7 | 16.52 | 157.9 | 15.16 | 148.5 | 13.96 | 139.1 | 12.90 | 133.0 | 12.24 |
| | 37 | 34 | 176.1 | 16.14 | 166.7 | 14.73 | 157.9 | 13.72 | 148.5 | 12.72 | 139.1 | 11.75 | 133.0 | 11.13 |
| | 42 | 38 | 176.1 | 14.70 | 166.7 | 13.66 | 157.9 | 12.75 | 148.5 | 11.81 | 139.1 | 10.91 | 133.0 | 10.33 |
| | 47 | 43 | 176.1 | 13.34 | 166.7 | 12.43 | 157.9 | 11.60 | 148.5 | 10.75 | 139.1 | 9.92 | 133.0 | 9.41 |
| | 52 | 47 | 176.1 | 12.39 | 166.7 | 11.54 | 157.9 | 10.76 | 148.5 | 9.97 | 139.1 | 9.22 | 133.0 | 8.80 |
| | 57 | 52 | 176.1 | 11.27 | 166.7 | 10.48 | 157.9 | 9.77 | 148.5 | 9.07 | 139.1 | 8.46 | 133.0 | 8.06 |
| | 62 | 56 | 176.1 | 10.43 | 166.7 | 9.69 | 157.9 | 9.06 | 148.5 | 8.46 | 139.1 | 7.87 | 133.0 | 7.50 |
| | 67 | 61 | 176.1 | 9.43 | 166.7 | 8.79 | 157.9 | 8.26 | 148.5 | 7.70 | 139.1 | 7.18 | 133.0 | 6.83 |
| | 72 | 66 | 176.1 | 8.54 | 166.7 | 7.99 | 157.9 | 7.51 | 148.5 | 7.01 | 139.1 | 6.53 | 133.0 | 6.22 |
| 75 | 69 | 176.1 | 8.04 | 166.7 | 7.54 | 157.9 | 7.08 | 148.5 | 6.61 | 139.1 | 6.17 | 133.0 | 5.89 | |
| 80 | 74 | 176.1 | 7.32 | 166.7 | 6.87 | 157.9 | 6.47 | 148.5 | 6.06 | 139.1 | 5.66 | 133.0 | 5.41 | |
| 100% | -22 | -23 | 84.1 | 13.61 | 82.7 | 14.00 | 81.4 | 14.39 | 80.1 | 14.81 | 79.0 | 15.25 | 78.3 | 15.55 |
| | -17 | -18 | 100.3 | 15.02 | 98.8 | 15.42 | 97.5 | 15.81 | 96.2 | 16.24 | 95.0 | 16.69 | 94.3 | 16.99 |
| | -13 | -14 | 115.6 | 16.59 | 115.3 | 17.11 | 115.0 | 17.62 | 114.7 | 18.17 | 114.5 | 18.74 | 114.4 | 19.13 |
| | -8 | -9 | 124.2 | 17.34 | 124.3 | 17.91 | 124.3 | 18.47 | 124.4 | 19.07 | 126.5 | 19.99 | 120.9 | 19.21 |
| | -3 | -4 | 129.7 | 17.77 | 129.8 | 18.35 | 129.8 | 18.91 | 129.9 | 19.53 | 126.5 | 19.22 | 120.9 | 18.40 |
| | 2 | 1 | 135.3 | 18.04 | 135.3 | 18.62 | 135.2 | 19.18 | 135.0 | 19.54 | 126.5 | 18.23 | 120.9 | 17.36 |
| | 7 | 6 | 140.8 | 18.14 | 140.6 | 18.70 | 140.4 | 19.26 | 135.0 | 18.38 | 126.5 | 17.03 | 120.9 | 16.15 |
| | 12 | 10 | 145.9 | 18.28 | 145.5 | 18.85 | 143.5 | 18.69 | 135.0 | 17.33 | 126.5 | 15.96 | 120.9 | 15.09 |
| | 17 | 15 | 153.2 | 18.55 | 151.6 | 18.49 | 143.5 | 17.21 | 135.0 | 15.85 | 126.5 | 14.59 | 120.9 | 13.92 |
| | 22 | 20 | 160.1 | 18.30 | 151.6 | 16.95 | 143.5 | 15.69 | 135.0 | 14.43 | 126.5 | 13.42 | 120.9 | 12.78 |
| | 27 | 24 | 160.1 | 16.89 | 151.6 | 15.58 | 143.5 | 14.40 | 135.0 | 13.42 | 126.5 | 12.45 | 120.9 | 11.84 |
| | 32 | 29 | 160.1 | 15.22 | 151.6 | 14.07 | 143.5 | 13.19 | 135.0 | 12.27 | 126.5 | 11.37 | 120.9 | 10.80 |
| | 37 | 34 | 160.1 | 13.70 | 151.6 | 12.82 | 143.5 | 12.01 | 135.0 | 11.17 | 126.5 | 10.34 | 120.9 | 9.81 |
| | 42 | 38 | 160.1 | 12.73 | 151.6 | 11.91 | 143.5 | 11.15 | 135.0 | 10.36 | 126.5 | 9.59 | 120.9 | 9.18 |
| | 47 | 43 | 160.1 | 11.58 | 151.6 | 10.82 | 143.5 | 10.12 | 135.0 | 9.41 | 126.5 | 8.81 | 120.9 | 8.43 |
| | 52 | 47 | 160.1 | 10.74 | 151.6 | 10.03 | 143.5 | 9.37 | 135.0 | 8.79 | 126.5 | 8.23 | 120.9 | 7.88 |
| | 57 | 52 | 160.1 | 9.74 | 151.6 | 9.09 | 143.5 | 8.58 | 135.0 | 8.04 | 126.5 | 7.53 | 120.9 | 7.19 |
| | 62 | 56 | 160.1 | 9.00 | 151.6 | 8.47 | 143.5 | 7.98 | 135.0 | 7.49 | 126.5 | 6.99 | 120.9 | 6.68 |
| | 67 | 61 | 160.1 | 8.20 | 151.6 | 7.71 | 143.5 | 7.27 | 135.0 | 6.81 | 126.5 | 6.36 | 120.9 | 6.08 |
| | 72 | 66 | 160.1 | 7.45 | 151.6 | 7.01 | 143.5 | 6.61 | 135.0 | 6.20 | 126.5 | 5.80 | 120.9 | 5.55 |
| 75 | 69 | 160.1 | 7.02 | 151.6 | 6.61 | 143.5 | 6.24 | 135.0 | 5.85 | 126.5 | 5.49 | 120.9 | 5.25 | |
| 80 | 74 | 160.1 | 6.40 | 151.6 | 6.04 | 143.5 | 5.71 | 135.0 | 5.38 | 126.5 | 5.06 | 120.9 | 4.85 | |

NOTE - Power Input = Compressor + Outdoor Fan Motor.
 MBH = 1000 BTUs per hour.

HEATING CAPACITY - SINGLE MODULE | VRB120L4

| Combination (%) | Outdoor Temperature (°F) | | Indoor Temperature - °F Dry Bulb | | | | | | | | | | | |
|-----------------|--------------------------|----------|----------------------------------|----------------|----------------|----------------|----------------|----------------|----------------|----------------|----------------|----------------|----------------|----------------|
| | | | 61 | | 64 | | 67 | | 70 | | 73 | | 75 | |
| | Dry Bulb | Wet Bulb | Total Cap. MBH | Power Input kW | Total Cap. MBH | Power Input kW | Total Cap. MBH | Power Input kW | Total Cap. MBH | Power Input kW | Total Cap. MBH | Power Input kW | Total Cap. MBH | Power Input kW |
| 90% | -22 | -23 | 82.6 | 13.91 | 81.3 | 14.30 | 80.1 | 14.69 | 78.9 | 15.13 | 77.9 | 15.57 | 77.2 | 15.87 |
| | -17 | -18 | 98.6 | 15.38 | 97.2 | 15.78 | 96.0 | 16.18 | 94.8 | 16.63 | 93.7 | 17.09 | 93.1 | 17.40 |
| | -13 | -14 | 114.9 | 17.14 | 114.6 | 17.68 | 114.4 | 18.20 | 114.1 | 18.77 | 113.8 | 19.23 | 108.9 | 18.55 |
| | -8 | -9 | 123.9 | 17.99 | 124.0 | 18.58 | 124.0 | 19.16 | 121.5 | 19.06 | 113.8 | 17.98 | 108.9 | 17.28 |
| | -3 | -4 | 129.4 | 18.46 | 129.5 | 19.06 | 129.2 | 19.37 | 121.5 | 18.25 | 113.8 | 17.11 | 108.9 | 16.37 |
| | 2 | 1 | 134.9 | 18.75 | 136.4 | 19.49 | 129.2 | 18.40 | 121.5 | 17.23 | 113.8 | 16.04 | 108.9 | 15.29 |
| | 7 | 6 | 140.2 | 18.87 | 136.4 | 18.32 | 129.2 | 17.21 | 121.5 | 16.01 | 113.8 | 14.87 | 108.9 | 14.28 |
| | 12 | 10 | 144.1 | 18.47 | 136.4 | 17.28 | 129.2 | 16.15 | 121.5 | 14.95 | 113.8 | 14.01 | 108.9 | 13.41 |
| | 17 | 15 | 144.1 | 17.00 | 136.4 | 15.81 | 129.2 | 14.70 | 121.5 | 13.77 | 113.8 | 12.87 | 108.9 | 12.29 |
| | 22 | 20 | 144.1 | 15.48 | 136.4 | 14.34 | 129.2 | 13.51 | 121.5 | 12.64 | 113.8 | 11.78 | 108.9 | 11.23 |
| | 27 | 24 | 144.1 | 14.18 | 136.4 | 13.33 | 129.2 | 12.54 | 121.5 | 11.70 | 113.8 | 10.88 | 108.9 | 10.36 |
| | 32 | 29 | 144.1 | 12.98 | 136.4 | 12.18 | 129.2 | 11.45 | 121.5 | 10.67 | 113.8 | 9.92 | 108.9 | 9.47 |
| | 37 | 34 | 144.1 | 11.81 | 136.4 | 11.08 | 129.2 | 10.40 | 121.5 | 9.69 | 113.8 | 9.09 | 108.9 | 8.72 |
| | 42 | 38 | 144.1 | 10.95 | 136.4 | 10.26 | 129.2 | 9.63 | 121.5 | 9.05 | 113.8 | 8.52 | 108.9 | 8.17 |
| | 47 | 43 | 144.1 | 9.95 | 136.4 | 9.31 | 129.2 | 8.82 | 121.5 | 8.31 | 113.8 | 7.81 | 108.9 | 7.49 |
| | 52 | 47 | 144.1 | 9.20 | 136.4 | 8.70 | 129.2 | 8.24 | 121.5 | 7.75 | 113.8 | 7.28 | 108.9 | 6.98 |
| | 57 | 52 | 144.1 | 8.41 | 136.4 | 7.95 | 129.2 | 7.52 | 121.5 | 7.08 | 113.8 | 6.63 | 108.9 | 6.36 |
| | 62 | 56 | 144.1 | 7.81 | 136.4 | 7.39 | 129.2 | 6.98 | 121.5 | 6.57 | 113.8 | 6.17 | 108.9 | 5.90 |
| | 67 | 61 | 144.1 | 7.11 | 136.4 | 6.71 | 129.2 | 6.35 | 121.5 | 5.97 | 113.8 | 5.61 | 108.9 | 5.37 |
| | 72 | 66 | 144.1 | 6.45 | 136.4 | 6.10 | 129.2 | 5.77 | 121.5 | 5.44 | 113.8 | 5.12 | 108.9 | 4.91 |
| 75 | 69 | 144.1 | 6.09 | 136.4 | 5.76 | 129.2 | 5.46 | 121.5 | 5.15 | 113.8 | 4.85 | 108.9 | 4.67 | |
| 80 | 74 | 144.1 | 5.56 | 136.4 | 5.28 | 129.2 | 5.02 | 121.5 | 4.76 | 113.8 | 4.46 | 108.9 | 4.32 | |
| 80% | -22 | -23 | 81.0 | 14.27 | 79.8 | 14.68 | 78.7 | 15.08 | 77.6 | 15.52 | 76.7 | 15.98 | 76.1 | 16.29 |
| | -17 | -18 | 96.7 | 15.83 | 95.4 | 16.25 | 94.4 | 16.66 | 93.3 | 17.12 | 92.3 | 17.60 | 91.8 | 17.92 |
| | -13 | -14 | 114.2 | 17.85 | 113.9 | 18.40 | 114.8 | 19.06 | 108.0 | 18.15 | 101.2 | 17.23 | 96.8 | 16.62 |
| | -8 | -9 | 123.7 | 18.84 | 121.2 | 18.71 | 114.8 | 17.83 | 108.0 | 16.88 | 101.2 | 15.93 | 96.8 | 15.44 |
| | -3 | -4 | 128.1 | 18.88 | 121.2 | 17.90 | 114.8 | 16.97 | 108.0 | 15.98 | 101.2 | 15.09 | 96.8 | 14.62 |
| | 2 | 1 | 128.1 | 17.89 | 121.2 | 16.87 | 114.8 | 15.91 | 108.0 | 14.93 | 101.2 | 14.17 | 96.8 | 13.67 |
| | 7 | 6 | 128.1 | 16.70 | 121.2 | 15.66 | 114.8 | 14.71 | 108.0 | 13.93 | 101.2 | 13.14 | 96.8 | 12.62 |
| | 12 | 10 | 128.1 | 15.64 | 121.2 | 14.61 | 114.8 | 13.86 | 108.0 | 13.08 | 101.2 | 12.28 | 96.8 | 11.77 |
| | 17 | 15 | 128.1 | 14.23 | 121.2 | 13.46 | 114.8 | 12.73 | 108.0 | 11.96 | 101.2 | 11.20 | 96.8 | 10.70 |
| | 22 | 20 | 128.1 | 13.09 | 121.2 | 12.34 | 114.8 | 11.65 | 108.0 | 10.92 | 101.2 | 10.19 | 96.8 | 9.72 |
| | 27 | 24 | 128.1 | 12.13 | 121.2 | 11.43 | 114.8 | 10.77 | 108.0 | 10.08 | 101.2 | 9.43 | 96.8 | 9.08 |
| | 32 | 29 | 128.1 | 11.06 | 121.2 | 10.41 | 114.8 | 9.80 | 108.0 | 9.21 | 101.2 | 8.71 | 96.8 | 8.39 |
| | 37 | 34 | 128.1 | 10.04 | 121.2 | 9.44 | 114.8 | 8.96 | 108.0 | 8.49 | 101.2 | 8.02 | 96.8 | 7.72 |
| | 42 | 38 | 128.1 | 9.30 | 121.2 | 8.81 | 114.8 | 8.39 | 108.0 | 7.94 | 101.2 | 7.50 | 96.8 | 7.21 |
| | 47 | 43 | 128.1 | 8.51 | 121.2 | 8.09 | 114.8 | 7.69 | 108.0 | 7.27 | 101.2 | 6.86 | 96.8 | 6.59 |
| | 52 | 47 | 128.1 | 7.94 | 121.2 | 7.54 | 114.8 | 7.16 | 108.0 | 6.77 | 101.2 | 6.38 | 96.8 | 6.12 |
| | 57 | 52 | 128.1 | 7.25 | 121.2 | 6.87 | 114.8 | 6.52 | 108.0 | 6.16 | 101.2 | 5.80 | 96.8 | 5.57 |
| | 62 | 56 | 128.1 | 6.72 | 121.2 | 6.37 | 114.8 | 6.05 | 108.0 | 5.72 | 101.2 | 5.38 | 96.8 | 5.16 |
| | 67 | 61 | 128.1 | 6.10 | 121.2 | 5.79 | 114.8 | 5.49 | 108.0 | 5.20 | 101.2 | 4.90 | 96.8 | 4.71 |
| | 72 | 66 | 128.1 | 5.54 | 121.2 | 5.26 | 114.8 | 5.01 | 108.0 | 4.75 | 101.2 | 4.49 | 96.8 | 4.44 |
| 75 | 69 | 128.1 | 5.23 | 121.2 | 4.98 | 114.8 | 4.75 | 108.0 | 4.50 | 101.2 | 4.39 | 96.8 | 4.23 | |
| 80 | 74 | 128.1 | 4.81 | 121.2 | 4.58 | 114.8 | 4.38 | 108.0 | 4.23 | 101.2 | 4.02 | 96.8 | 3.85 | |

NOTE - Power Input = Compressor + Outdoor Fan Motor.
 MBH = 1000 BTUs per hour.

HEATING CAPACITY - SINGLE MODULE | VRB120L4

| Combination (%) | Outdoor Temperature (°F) | | Indoor Temperature - °F Dry Bulb | | | | | | | | | | | |
|-----------------|--------------------------|----------|----------------------------------|----------------|----------------|----------------|----------------|----------------|----------------|----------------|----------------|----------------|----------------|----------------|
| | | | 61 | | 64 | | 67 | | 70 | | 73 | | 75 | |
| | Dry Bulb | Wet Bulb | Total Cap. MBH | Power Input kW | Total Cap. MBH | Power Input kW | Total Cap. MBH | Power Input kW | Total Cap. MBH | Power Input kW | Total Cap. MBH | Power Input kW | Total Cap. MBH | Power Input kW |
| 70% | -22 | -23 | 79.3 | 14.75 | 78.2 | 15.17 | 77.2 | 15.59 | 76.3 | 16.04 | 75.4 | 16.52 | 74.9 | 16.83 |
| | -17 | -18 | 94.7 | 16.42 | 93.6 | 16.86 | 92.6 | 17.29 | 91.7 | 17.77 | 88.5 | 17.79 | 84.7 | 17.43 |
| | -13 | -14 | 112.1 | 18.30 | 106.1 | 17.51 | 100.5 | 16.77 | 94.5 | 16.10 | 88.5 | 15.57 | 84.7 | 15.21 |
| | -8 | -9 | 112.1 | 17.06 | 106.1 | 16.25 | 100.5 | 15.48 | 94.5 | 14.91 | 88.5 | 14.34 | 84.7 | 13.96 |
| | -3 | -4 | 112.1 | 16.18 | 106.1 | 15.34 | 100.5 | 14.70 | 94.5 | 14.09 | 88.5 | 13.46 | 84.7 | 13.05 |
| | 2 | 1 | 112.1 | 15.12 | 106.1 | 14.39 | 100.5 | 13.79 | 94.5 | 13.14 | 88.5 | 12.48 | 84.7 | 12.05 |
| | 7 | 6 | 112.1 | 14.04 | 106.1 | 13.39 | 100.5 | 12.77 | 94.5 | 12.10 | 88.5 | 11.43 | 84.7 | 10.99 |
| | 12 | 10 | 112.1 | 13.20 | 106.1 | 12.55 | 100.5 | 11.93 | 94.5 | 11.27 | 88.5 | 10.60 | 84.7 | 10.17 |
| | 17 | 15 | 112.1 | 12.10 | 106.1 | 11.46 | 100.5 | 10.86 | 94.5 | 10.22 | 88.5 | 9.60 | 84.7 | 9.25 |
| | 22 | 20 | 112.1 | 11.05 | 106.1 | 10.44 | 100.5 | 9.87 | 94.5 | 9.32 | 88.5 | 8.83 | 84.7 | 8.52 |
| | 27 | 24 | 112.1 | 10.20 | 106.1 | 9.62 | 100.5 | 9.14 | 94.5 | 8.70 | 88.5 | 8.25 | 84.7 | 7.97 |
| | 32 | 29 | 112.1 | 9.26 | 106.1 | 8.83 | 100.5 | 8.44 | 94.5 | 8.03 | 88.5 | 7.62 | 84.7 | 7.36 |
| | 37 | 34 | 112.1 | 8.51 | 106.1 | 8.13 | 100.5 | 7.76 | 94.5 | 7.38 | 88.5 | 7.00 | 84.7 | 6.75 |
| | 42 | 38 | 112.1 | 7.96 | 106.1 | 7.59 | 100.5 | 7.25 | 94.5 | 6.89 | 88.5 | 6.53 | 84.7 | 6.29 |
| | 47 | 43 | 112.1 | 7.29 | 106.1 | 6.95 | 100.5 | 6.63 | 94.5 | 6.29 | 88.5 | 5.95 | 84.7 | 5.73 |
| | 52 | 47 | 112.1 | 6.78 | 106.1 | 6.46 | 100.5 | 6.16 | 94.5 | 5.83 | 88.5 | 5.52 | 84.7 | 5.32 |
| | 57 | 52 | 112.1 | 6.16 | 106.1 | 5.86 | 100.5 | 5.59 | 94.5 | 5.30 | 88.5 | 5.01 | 84.7 | 4.82 |
| | 62 | 56 | 112.1 | 5.71 | 106.1 | 5.44 | 100.5 | 5.18 | 94.5 | 4.91 | 88.5 | 4.64 | 84.7 | 4.55 |
| | 67 | 61 | 112.1 | 5.18 | 106.1 | 4.93 | 100.5 | 4.71 | 94.5 | 4.48 | 88.5 | 4.35 | 84.7 | 4.19 |
| | 72 | 66 | 112.1 | 4.71 | 106.1 | 4.50 | 100.5 | 4.35 | 94.5 | 4.23 | 88.5 | 4.01 | 84.7 | 3.87 |
| 75 | 69 | 112.1 | 4.46 | 106.1 | 4.28 | 100.5 | 4.23 | 94.5 | 4.03 | 88.5 | 3.83 | 84.7 | 3.71 | |
| 80 | 74 | 112.1 | 4.12 | 106.1 | 4.05 | 100.5 | 3.86 | 94.5 | 3.66 | 88.5 | 3.47 | 84.7 | 3.33 | |
| 60% | -22 | -23 | 77.4 | 15.40 | 76.4 | 15.84 | 75.6 | 16.27 | 74.8 | 16.75 | 74.1 | 17.24 | 72.6 | 17.37 |
| | -17 | -18 | 92.5 | 17.24 | 90.9 | 17.54 | 86.1 | 17.14 | 81.0 | 16.70 | 75.9 | 16.24 | 72.6 | 15.93 |
| | -13 | -14 | 96.1 | 15.78 | 90.9 | 15.37 | 86.1 | 14.97 | 81.0 | 14.53 | 75.9 | 14.07 | 72.6 | 13.77 |
| | -8 | -9 | 96.1 | 14.63 | 90.9 | 14.18 | 86.1 | 13.75 | 81.0 | 13.27 | 75.9 | 12.78 | 72.6 | 12.46 |
| | -3 | -4 | 96.1 | 13.84 | 90.9 | 13.35 | 86.1 | 12.87 | 81.0 | 12.35 | 75.9 | 11.82 | 72.6 | 11.47 |
| | 2 | 1 | 96.1 | 12.92 | 90.9 | 12.40 | 86.1 | 11.89 | 81.0 | 11.35 | 75.9 | 10.79 | 72.6 | 10.43 |
| | 7 | 6 | 96.1 | 11.91 | 90.9 | 11.37 | 86.1 | 10.86 | 81.0 | 10.31 | 75.9 | 9.75 | 72.6 | 9.39 |
| | 12 | 10 | 96.1 | 11.09 | 90.9 | 10.55 | 86.1 | 10.04 | 81.0 | 9.51 | 75.9 | 9.02 | 72.6 | 8.71 |
| | 17 | 15 | 96.1 | 10.05 | 90.9 | 9.54 | 86.1 | 9.11 | 81.0 | 8.69 | 75.9 | 8.26 | 72.6 | 7.99 |
| | 22 | 20 | 96.1 | 9.13 | 90.9 | 8.75 | 86.1 | 8.39 | 81.0 | 8.01 | 75.9 | 7.63 | 72.6 | 7.38 |
| | 27 | 24 | 96.1 | 8.52 | 90.9 | 8.17 | 86.1 | 7.84 | 81.0 | 7.49 | 75.9 | 7.13 | 72.6 | 6.91 |
| | 32 | 29 | 96.1 | 7.86 | 90.9 | 7.53 | 86.1 | 7.23 | 81.0 | 6.90 | 75.9 | 6.58 | 72.6 | 6.36 |
| | 37 | 34 | 96.1 | 7.22 | 90.9 | 6.91 | 86.1 | 6.63 | 81.0 | 6.32 | 75.9 | 6.02 | 72.6 | 5.82 |
| | 42 | 38 | 96.1 | 6.73 | 90.9 | 6.45 | 86.1 | 6.17 | 81.0 | 5.89 | 75.9 | 5.60 | 72.6 | 5.41 |
| | 47 | 43 | 96.1 | 6.14 | 90.9 | 5.87 | 86.1 | 5.62 | 81.0 | 5.35 | 75.9 | 5.08 | 72.6 | 4.91 |
| | 52 | 47 | 96.1 | 5.69 | 90.9 | 5.44 | 86.1 | 5.20 | 81.0 | 4.95 | 75.9 | 4.70 | 72.6 | 4.62 |
| | 57 | 52 | 96.1 | 5.16 | 90.9 | 4.93 | 86.1 | 4.72 | 81.0 | 4.53 | 75.9 | 4.37 | 72.6 | 4.21 |
| | 62 | 56 | 96.1 | 4.77 | 90.9 | 4.56 | 86.1 | 4.43 | 81.0 | 4.28 | 75.9 | 4.05 | 72.6 | 3.91 |
| | 67 | 61 | 96.1 | 4.34 | 90.9 | 4.29 | 86.1 | 4.11 | 81.0 | 3.91 | 75.9 | 3.71 | 72.6 | 3.58 |
| | 72 | 66 | 96.1 | 4.11 | 90.9 | 3.94 | 86.1 | 3.78 | 81.0 | 3.61 | 75.9 | 3.44 | 72.6 | 3.33 |
| 75 | 69 | 96.1 | 3.91 | 90.9 | 3.75 | 86.1 | 3.61 | 81.0 | 3.46 | 75.9 | 3.32 | 72.6 | 3.22 | |
| 80 | 74 | 96.1 | 3.56 | 90.9 | 3.41 | 86.1 | 3.26 | 81.0 | 3.09 | 75.9 | 2.94 | 72.6 | 2.83 | |

NOTE - Power Input = Compressor + Outdoor Fan Motor.
 MBH = 1000 BTUs per hour.

HEATING CAPACITY - SINGLE MODULE | VRB120L4

| Combination (%) | Outdoor Temperature (°F) | | Indoor Temperature - °F Dry Bulb | | | | | | | | | | | |
|-----------------|--------------------------|----------|----------------------------------|-------------|------------|-------------|------------|-------------|------------|-------------|------------|-------------|------------|-------------|
| | | | 61 | | 64 | | 67 | | 70 | | 73 | | 75 | |
| | Dry Bulb | Wet Bulb | Total Cap. | Power Input | Total Cap. | Power Input | Total Cap. | Power Input | Total Cap. | Power Input | Total Cap. | Power Input | Total Cap. | Power Input |
| 50% | -22 | -23 | 75.3 | 16.34 | 75.8 | 17.09 | 71.8 | 16.80 | 67.5 | 16.47 | 63.2 | 16.13 | 60.5 | 15.90 |
| | -17 | -18 | 80.0 | 16.06 | 75.8 | 15.72 | 71.8 | 15.39 | 67.5 | 15.03 | 63.2 | 14.65 | 60.5 | 14.40 |
| | -13 | -14 | 80.0 | 13.95 | 75.8 | 13.61 | 71.8 | 13.28 | 67.5 | 12.92 | 63.2 | 12.54 | 60.5 | 12.29 |
| | -8 | -9 | 80.0 | 12.73 | 75.8 | 12.36 | 71.8 | 12.00 | 67.5 | 11.61 | 63.2 | 11.20 | 60.5 | 10.94 |
| | -3 | -4 | 80.0 | 11.82 | 75.8 | 11.42 | 71.8 | 11.03 | 67.5 | 10.61 | 63.2 | 10.17 | 60.5 | 9.83 |
| | 2 | 1 | 80.0 | 10.84 | 75.8 | 10.41 | 71.8 | 10.01 | 67.5 | 9.53 | 63.2 | 9.00 | 60.5 | 8.66 |
| | 7 | 6 | 80.0 | 9.82 | 75.8 | 9.39 | 71.8 | 8.98 | 67.5 | 8.56 | 63.2 | 8.13 | 60.5 | 7.86 |
| | 12 | 10 | 80.0 | 9.06 | 75.8 | 8.69 | 71.8 | 8.33 | 67.5 | 7.97 | 63.2 | 7.60 | 60.5 | 7.37 |
| | 17 | 15 | 80.0 | 8.27 | 75.8 | 7.95 | 71.8 | 7.65 | 67.5 | 7.33 | 63.2 | 7.01 | 60.5 | 6.81 |
| | 22 | 20 | 80.0 | 7.62 | 75.8 | 7.34 | 71.8 | 7.06 | 67.5 | 6.78 | 63.2 | 6.49 | 60.5 | 6.30 |
| | 27 | 24 | 80.0 | 7.12 | 75.8 | 6.85 | 71.8 | 6.60 | 67.5 | 6.33 | 63.2 | 6.06 | 60.5 | 5.89 |
| | 32 | 29 | 80.0 | 6.56 | 75.8 | 6.31 | 71.8 | 6.08 | 67.5 | 5.83 | 63.2 | 5.58 | 60.5 | 5.41 |
| | 37 | 34 | 80.0 | 6.00 | 75.8 | 5.77 | 71.8 | 5.55 | 67.5 | 5.32 | 63.2 | 5.08 | 60.5 | 4.93 |
| | 42 | 38 | 80.0 | 5.58 | 75.8 | 5.36 | 71.8 | 5.15 | 67.5 | 4.93 | 63.2 | 4.73 | 60.5 | 4.65 |
| | 47 | 43 | 80.0 | 5.06 | 75.8 | 4.85 | 71.8 | 4.66 | 67.5 | 4.56 | 63.2 | 4.35 | 60.5 | 4.21 |
| | 52 | 47 | 80.0 | 4.67 | 75.8 | 4.50 | 71.8 | 4.43 | 67.5 | 4.22 | 63.2 | 4.01 | 60.5 | 3.88 |
| | 57 | 52 | 80.0 | 4.34 | 75.8 | 4.18 | 71.8 | 4.00 | 67.5 | 3.82 | 63.2 | 3.63 | 60.5 | 3.51 |
| 62 | 56 | 80.0 | 4.04 | 75.8 | 3.88 | 71.8 | 3.72 | 67.5 | 3.55 | 63.2 | 3.38 | 60.5 | 3.27 | |
| 67 | 61 | 80.0 | 3.69 | 75.8 | 3.54 | 71.8 | 3.40 | 67.5 | 3.26 | 63.2 | 3.11 | 60.5 | 3.02 | |
| 72 | 66 | 80.0 | 3.40 | 75.8 | 3.28 | 71.8 | 3.16 | 67.5 | 3.04 | 63.2 | 2.92 | 60.5 | 2.84 | |
| 75 | 69 | 80.0 | 3.26 | 75.8 | 3.15 | 71.8 | 3.05 | 67.5 | 2.94 | 63.2 | 2.84 | 60.5 | 2.77 | |
| 80 | 74 | 80.0 | 2.99 | 75.8 | 2.86 | 71.8 | 2.74 | 67.5 | 2.62 | 63.2 | 2.47 | 60.5 | 2.39 | |

NOTE - Power Input = Compressor + Outdoor Fan Motor.
 MBH = 1000 BTUs per hour.

COOLING CAPACITY - TWO MODULE | VRB144L4

| Combination (%) | Outdoor Temperature °F (Dry Bulb) | Indoor Temperature - °F (Dry Bulb / Wet Bulb) | | | | | | | | | | | |
|-----------------|-----------------------------------|---|-------------|------------|-------------|------------|-------------|------------|-------------|------------|-------------|------------|-------------|
| | | 67 / 57 | | 71 / 60 | | 75 / 63 | | 80 / 67 | | 85 / 71 | | 90 / 75 | |
| | | Total Cap. | Power Input | Total Cap. | Power Input | Total Cap. | Power Input | Total Cap. | Power Input | Total Cap. | Power Input | Total Cap. | Power Input |
| | | MBH | KW | MBH | KW | MBH | KW | MBH | KW | MBH | KW | MBH | KW |
| 130% | -10 | 110.4 | 3.8 | 134.1 | 4.6 | 156.5 | 5.4 | 187.2 | 6.6 | 219.3 | 7.9 | 250.1 | 9.3 |
| | -5 | 110.4 | 4.0 | 134.1 | 4.9 | 156.5 | 5.8 | 187.2 | 7.1 | 219.3 | 8.4 | 250.1 | 9.9 |
| | 10 | 110.4 | 4.1 | 134.1 | 5.0 | 156.5 | 5.9 | 187.2 | 7.2 | 219.3 | 8.6 | 250.1 | 10.1 |
| | 15 | 110.4 | 4.2 | 134.1 | 5.1 | 156.5 | 6.0 | 187.2 | 7.4 | 219.3 | 8.8 | 245.6 | 10.1 |
| | 20 | 110.4 | 4.3 | 134.1 | 5.2 | 156.5 | 6.2 | 187.2 | 7.5 | 219.3 | 9.0 | 240.6 | 10.1 |
| | 25 | 110.4 | 4.4 | 134.1 | 5.3 | 156.5 | 6.3 | 187.2 | 7.7 | 219.3 | 9.2 | 235.1 | 10.1 |
| | 30 | 110.4 | 4.5 | 134.1 | 5.5 | 156.5 | 6.5 | 187.2 | 7.9 | 219.3 | 9.4 | 229.6 | 10.1 |
| | 35 | 110.4 | 4.6 | 134.1 | 5.6 | 156.5 | 6.6 | 187.2 | 8.1 | 219.3 | 9.7 | 224.4 | 10.1 |
| | 40 | 110.4 | 4.7 | 134.1 | 5.7 | 156.5 | 6.8 | 187.2 | 8.3 | 219.3 | 9.9 | 221.0 | 10.2 |
| | 45 | 110.4 | 4.8 | 134.1 | 5.9 | 156.5 | 6.9 | 187.2 | 8.5 | 219.3 | 10.1 | 219.8 | 10.4 |
| | 50 | 110.4 | 4.9 | 134.1 | 6.0 | 156.5 | 7.1 | 187.2 | 8.7 | 216.1 | 10.3 | 219.0 | 10.6 |
| | 55 | 110.4 | 5.0 | 134.1 | 6.2 | 156.5 | 7.3 | 187.2 | 8.9 | 215.8 | 10.5 | 218.7 | 10.9 |
| | 60 | 110.4 | 5.2 | 134.1 | 6.4 | 156.5 | 7.5 | 187.2 | 9.2 | 216.5 | 10.8 | 218.8 | 11.2 |
| | 65 | 110.4 | 5.3 | 134.1 | 6.5 | 156.5 | 7.7 | 187.2 | 9.4 | 215.0 | 11.1 | 219.1 | 11.5 |
| | 70 | 110.4 | 5.8 | 134.1 | 7.1 | 156.5 | 8.4 | 187.2 | 10.2 | 215.4 | 12.0 | 219.5 | 12.6 |
| | 75 | 110.4 | 6.4 | 134.1 | 7.8 | 156.5 | 9.2 | 187.2 | 11.2 | 215.5 | 13.2 | 219.7 | 13.8 |
| | 80 | 110.4 | 7.0 | 134.1 | 8.6 | 156.5 | 10.1 | 187.2 | 12.3 | 215.2 | 14.5 | 219.3 | 15.1 |
| | 85 | 110.4 | 7.7 | 134.1 | 9.4 | 156.5 | 11.1 | 187.2 | 13.5 | 214.0 | 15.8 | 218.1 | 16.5 |
| | 90 | 110.4 | 8.4 | 134.1 | 10.3 | 156.5 | 12.2 | 187.2 | 14.8 | 211.5 | 17.1 | 215.5 | 17.9 |
| | 95 | 110.4 | 9.2 | 134.1 | 11.3 | 156.5 | 13.3 | 187.2 | 16.2 | 196.3 | 17.4 | 199.2 | 18.1 |
| | 100 | 110.4 | 10.0 | 134.1 | 12.2 | 156.5 | 14.5 | 187.2 | 17.6 | 189.1 | 18.2 | 192.8 | 19.0 |
| 105 | 110.4 | 10.8 | 134.1 | 13.2 | 156.5 | 15.6 | 174.9 | 17.8 | 180.1 | 18.7 | 183.5 | 19.5 | |
| 110 | 110.4 | 11.5 | 134.1 | 14.1 | 156.5 | 16.7 | 162.7 | 17.7 | 167.6 | 18.6 | 170.8 | 19.4 | |
| 115 | 110.4 | 12.2 | 134.1 | 15.0 | 141.2 | 15.9 | 146.6 | 16.9 | 151.0 | 17.8 | 153.9 | 18.5 | |
| 118 | 110.4 | 12.5 | 125.2 | 14.4 | 129.6 | 15.0 | 134.5 | 15.9 | 138.5 | 16.8 | 141.2 | 17.5 | |
| 125 | 88.7 | 10.5 | 92.6 | 11.1 | 95.8 | 11.6 | 99.5 | 12.3 | 102.4 | 12.9 | 104.4 | 13.5 | |
| 120% | -10 | 101.9 | 3.4 | 123.8 | 4.2 | 144.4 | 4.9 | 172.8 | 6.0 | 202.5 | 7.2 | 230.8 | 8.4 |
| | -5 | 101.9 | 3.6 | 123.8 | 4.5 | 144.4 | 5.3 | 172.8 | 6.4 | 202.5 | 7.7 | 230.8 | 9.0 |
| | 10 | 101.9 | 3.7 | 123.8 | 4.5 | 144.4 | 5.4 | 172.8 | 6.5 | 202.5 | 7.8 | 230.8 | 9.2 |
| | 15 | 101.9 | 3.8 | 123.8 | 4.6 | 144.4 | 5.5 | 172.8 | 6.7 | 202.5 | 8.0 | 230.8 | 9.4 |
| | 20 | 101.9 | 3.9 | 123.8 | 4.7 | 144.4 | 5.6 | 172.8 | 6.8 | 202.5 | 8.2 | 230.8 | 9.6 |
| | 25 | 101.9 | 4.0 | 123.8 | 4.9 | 144.4 | 5.7 | 172.8 | 7.0 | 202.5 | 8.4 | 230.8 | 9.8 |
| | 30 | 101.9 | 4.0 | 123.8 | 5.0 | 144.4 | 5.9 | 172.8 | 7.2 | 202.5 | 8.6 | 225.5 | 9.8 |
| | 35 | 101.9 | 4.1 | 123.8 | 5.1 | 144.4 | 6.0 | 172.8 | 7.3 | 202.5 | 8.8 | 220.3 | 9.8 |
| | 40 | 101.9 | 4.2 | 123.8 | 5.2 | 144.4 | 6.2 | 172.8 | 7.5 | 202.5 | 9.0 | 216.9 | 9.9 |
| | 45 | 101.9 | 4.4 | 123.8 | 5.3 | 144.4 | 6.3 | 172.8 | 7.7 | 202.5 | 9.2 | 215.7 | 10.1 |
| | 50 | 101.9 | 4.5 | 123.8 | 5.5 | 144.4 | 6.5 | 172.8 | 7.9 | 202.5 | 9.5 | 214.9 | 10.3 |
| | 55 | 101.9 | 4.6 | 123.8 | 5.6 | 144.4 | 6.6 | 172.8 | 8.1 | 202.5 | 9.7 | 214.6 | 10.5 |
| | 60 | 101.9 | 4.7 | 123.8 | 5.8 | 144.4 | 6.8 | 172.8 | 8.3 | 202.5 | 10.0 | 214.7 | 10.8 |
| | 65 | 101.9 | 4.8 | 123.8 | 5.9 | 144.4 | 7.0 | 172.8 | 8.6 | 202.5 | 10.2 | 215.0 | 11.1 |
| | 70 | 101.9 | 5.3 | 123.8 | 6.5 | 144.4 | 7.6 | 172.8 | 9.3 | 202.5 | 11.1 | 215.3 | 12.1 |
| | 75 | 101.9 | 5.8 | 123.8 | 7.1 | 144.4 | 8.4 | 172.8 | 10.2 | 202.5 | 12.2 | 215.5 | 13.3 |
| | 80 | 101.9 | 6.3 | 123.8 | 7.8 | 144.4 | 9.2 | 172.8 | 11.2 | 202.5 | 13.4 | 215.2 | 14.6 |
| | 85 | 101.9 | 7.0 | 123.8 | 8.6 | 144.4 | 10.1 | 172.8 | 12.3 | 202.5 | 14.7 | 214.0 | 16.0 |
| | 90 | 101.9 | 7.6 | 123.8 | 9.4 | 144.4 | 11.1 | 172.8 | 13.5 | 202.5 | 16.2 | 211.5 | 17.3 |
| | 95 | 101.9 | 8.3 | 123.8 | 10.2 | 144.4 | 12.1 | 172.8 | 14.7 | 196.3 | 17.1 | 199.2 | 17.8 |
| | 100 | 101.9 | 9.1 | 123.8 | 11.1 | 144.4 | 13.1 | 172.8 | 16.0 | 189.1 | 17.9 | 192.8 | 18.7 |
| 105 | 101.9 | 9.8 | 123.8 | 12.0 | 144.4 | 14.2 | 172.8 | 17.3 | 180.1 | 18.4 | 183.5 | 19.2 | |
| 110 | 101.9 | 10.5 | 123.8 | 12.9 | 144.4 | 15.2 | 162.7 | 17.4 | 167.6 | 18.3 | 170.8 | 19.1 | |
| 115 | 101.9 | 11.1 | 123.8 | 13.6 | 141.2 | 15.7 | 146.6 | 16.6 | 151.0 | 17.5 | 153.9 | 18.2 | |
| 118 | 101.9 | 11.4 | 123.8 | 14.0 | 129.6 | 14.8 | 134.5 | 15.7 | 138.5 | 16.5 | 141.2 | 17.2 | |
| 125 | 88.7 | 10.3 | 92.6 | 10.9 | 95.8 | 11.4 | 99.5 | 12.1 | 102.4 | 12.7 | 104.4 | 13.3 | |

NOTE - Power Input = Compressor + Outdoor Fan Motor.
 MBH = 1000 BTUs per hour.

COOLING CAPACITY - TWO MODULE | VRB144L4

| Combination (%) | Outdoor Temperature °F (Dry Bulb) | Indoor Temperature - °F (Dry Bulb / Wet Bulb) | | | | | | | | | | | |
|-----------------|-----------------------------------|---|-------------|------------|-------------|------------|-------------|--------------|-------------|------------|-------------|------------|-------------|
| | | 67 / 57 | | 71 / 60 | | 75 / 63 | | 80 / 67 | | 85 / 71 | | 90 / 75 | |
| | | Total Cap. | Power Input | Total Cap. | Power Input | Total Cap. | Power Input | Total Cap. | Power Input | Total Cap. | Power Input | Total Cap. | Power Input |
| | | MBH | kW | MBH | kW | MBH | kW | MBH | kW | MBH | kW | MBH | kW |
| 110% | -10 | 93.4 | 3.1 | 113.5 | 3.8 | 132.4 | 4.5 | 158.4 | 5.4 | 185.6 | 6.5 | 211.6 | 7.6 |
| | -5 | 93.4 | 3.3 | 113.5 | 4.0 | 132.4 | 4.7 | 158.4 | 5.8 | 185.6 | 6.9 | 211.6 | 8.1 |
| | 10 | 93.4 | 3.3 | 113.5 | 4.1 | 132.4 | 4.8 | 158.4 | 5.9 | 185.6 | 7.1 | 211.6 | 8.3 |
| | 15 | 93.4 | 3.4 | 113.5 | 4.2 | 132.4 | 5.0 | 158.4 | 6.0 | 185.6 | 7.2 | 211.6 | 8.4 |
| | 20 | 93.4 | 3.5 | 113.5 | 4.3 | 132.4 | 5.1 | 158.4 | 6.2 | 185.6 | 7.4 | 211.6 | 8.6 |
| | 25 | 93.4 | 3.6 | 113.5 | 4.4 | 132.4 | 5.2 | 158.4 | 6.3 | 185.6 | 7.6 | 211.6 | 8.8 |
| | 30 | 93.4 | 3.7 | 113.5 | 4.5 | 132.4 | 5.3 | 158.4 | 6.5 | 185.6 | 7.7 | 211.6 | 9.0 |
| | 35 | 93.4 | 3.7 | 113.5 | 4.6 | 132.4 | 5.4 | 158.4 | 6.6 | 185.6 | 7.9 | 211.6 | 9.3 |
| | 40 | 93.4 | 3.8 | 113.5 | 4.7 | 132.4 | 5.6 | 158.4 | 6.8 | 185.6 | 8.1 | 211.6 | 9.5 |
| | 45 | 93.4 | 3.9 | 113.5 | 4.8 | 132.4 | 5.7 | 158.4 | 6.9 | 185.6 | 8.3 | 211.5 | 9.7 |
| | 50 | 93.4 | 4.0 | 113.5 | 5.0 | 132.4 | 5.8 | 158.4 | 7.1 | 185.6 | 8.5 | 210.8 | 9.9 |
| | 55 | 93.4 | 4.1 | 113.5 | 5.1 | 132.4 | 6.0 | 158.4 | 7.3 | 185.6 | 8.8 | 210.5 | 10.2 |
| | 60 | 93.4 | 4.2 | 113.5 | 5.2 | 132.4 | 6.2 | 158.4 | 7.5 | 185.6 | 9.0 | 210.5 | 10.5 |
| | 65 | 93.4 | 4.4 | 113.5 | 5.4 | 132.4 | 6.3 | 158.4 | 7.7 | 185.6 | 9.3 | 210.8 | 10.8 |
| | 70 | 93.4 | 4.7 | 113.5 | 5.8 | 132.4 | 6.9 | 158.4 | 8.4 | 185.6 | 10.1 | 211.2 | 11.7 |
| | 75 | 93.4 | 5.2 | 113.5 | 6.4 | 132.4 | 7.6 | 158.4 | 9.2 | 185.6 | 11.0 | 211.4 | 12.9 |
| | 80 | 93.4 | 5.7 | 113.5 | 7.0 | 132.4 | 8.3 | 158.4 | 10.1 | 185.6 | 12.1 | 211.1 | 14.1 |
| | 85 | 93.4 | 6.3 | 113.5 | 7.7 | 132.4 | 9.1 | 158.4 | 11.1 | 185.6 | 13.3 | 209.9 | 15.4 |
| | 90 | 93.4 | 6.9 | 113.5 | 8.5 | 132.4 | 10.0 | 158.4 | 12.2 | 185.6 | 14.6 | 207.4 | 16.7 |
| | 95 | 93.4 | 7.5 | 113.5 | 9.2 | 132.4 | 10.9 | 158.4 | 13.3 | 185.6 | 15.9 | 199.2 | 17.5 |
| 100 | 93.4 | 8.2 | 113.5 | 10.0 | 132.4 | 11.9 | 158.4 | 14.5 | 185.6 | 17.3 | 192.8 | 18.4 | |
| 105 | 93.4 | 8.8 | 113.5 | 10.8 | 132.4 | 12.8 | 158.4 | 15.6 | 180.1 | 18.1 | 183.5 | 18.9 | |
| 110 | 93.4 | 9.4 | 113.5 | 11.6 | 132.4 | 13.7 | 158.4 | 16.7 | 167.6 | 18.1 | 170.8 | 18.9 | |
| 115 | 93.4 | 10.0 | 113.5 | 12.3 | 132.4 | 14.5 | 146.6 | 16.4 | 151.0 | 17.2 | 153.9 | 18.0 | |
| 118 | 93.4 | 10.3 | 113.5 | 12.6 | 129.6 | 14.6 | 134.5 | 15.4 | 138.5 | 16.2 | 141.2 | 17.0 | |
| 125 | 88.7 | 10.2 | 92.6 | 10.7 | 95.8 | 11.2 | 99.5 | 11.9 | 102.4 | 12.5 | 104.4 | 13.1 | |
| 100% | -10 | 84.9 | 2.8 | 103.2 | 3.4 | 120.4 | 4.0 | 144.0 | 4.9 | 168.7 | 5.8 | 192.4 | 6.8 |
| | -5 | 84.9 | 2.9 | 103.2 | 3.6 | 120.4 | 4.3 | 144.0 | 5.2 | 168.7 | 6.2 | 192.4 | 7.2 |
| | 10 | 84.9 | 3.0 | 103.2 | 3.7 | 120.4 | 4.3 | 144.0 | 5.3 | 168.7 | 6.3 | 192.4 | 7.4 |
| | 15 | 84.9 | 3.1 | 103.2 | 3.8 | 120.4 | 4.4 | 144.0 | 5.4 | 168.7 | 6.5 | 192.4 | 7.6 |
| | 20 | 84.9 | 3.1 | 103.2 | 3.8 | 120.4 | 4.5 | 144.0 | 5.5 | 168.7 | 6.6 | 192.4 | 7.7 |
| | 25 | 84.9 | 3.2 | 103.2 | 3.9 | 120.4 | 4.6 | 144.0 | 5.7 | 168.7 | 6.8 | 192.4 | 7.9 |
| | 30 | 84.9 | 3.3 | 103.2 | 4.0 | 120.4 | 4.7 | 144.0 | 5.8 | 168.7 | 6.9 | 192.4 | 8.1 |
| | 35 | 84.9 | 3.3 | 103.2 | 4.1 | 120.4 | 4.9 | 144.0 | 5.9 | 168.7 | 7.1 | 192.4 | 8.3 |
| | 40 | 84.9 | 3.4 | 103.2 | 4.2 | 120.4 | 5.0 | 144.0 | 6.1 | 168.7 | 7.3 | 192.4 | 8.5 |
| | 45 | 84.9 | 3.5 | 103.2 | 4.3 | 120.4 | 5.1 | 144.0 | 6.2 | 168.7 | 7.5 | 192.4 | 8.7 |
| | 50 | 84.9 | 3.6 | 103.2 | 4.4 | 120.4 | 5.2 | 144.0 | 6.4 | 168.7 | 7.6 | 192.4 | 8.9 |
| | 55 | 84.9 | 3.7 | 103.2 | 4.6 | 120.4 | 5.4 | 144.0 | 6.6 | 168.7 | 7.8 | 192.4 | 9.2 |
| | 60 | 84.9 | 3.8 | 103.2 | 4.7 | 120.4 | 5.5 | 144.0 | 6.7 | 168.7 | 8.1 | 192.4 | 9.4 |
| | 65 | 84.9 | 3.9 | 103.2 | 4.8 | 120.4 | 5.7 | 144.0 | 6.9 | 168.7 | 8.3 | 192.4 | 9.7 |
| | 70 | 84.9 | 4.3 | 103.2 | 5.2 | 120.4 | 6.2 | 144.0 | 7.5 | 168.7 | 9.0 | 192.4 | 10.5 |
| | 75 | 84.9 | 4.7 | 103.2 | 5.7 | 120.4 | 6.8 | 144.0 | 8.3 | 168.7 | 9.9 | 192.4 | 11.6 |
| | 80 | 84.9 | 5.1 | 103.2 | 6.3 | 120.4 | 7.4 | 144.0 | 9.1 | 168.7 | 10.9 | 192.4 | 12.7 |
| | 85 | 84.9 | 5.6 | 103.2 | 6.9 | 120.4 | 8.2 | 144.0 | 9.9 | 168.7 | 11.9 | 192.4 | 13.9 |
| | 90 | 84.9 | 6.2 | 103.2 | 7.6 | 120.4 | 8.9 | 144.0 | 10.9 | 168.7 | 13.1 | 192.4 | 15.2 |
| | 95 | 84.9 | 6.7 | 103.2 | 8.3 | 120.4 | 9.8 | 144.0 | 11.9 | 168.7 | 14.3 | 192.4 | 16.7 |
| 100 | 84.9 | 7.3 | 103.2 | 9.0 | 120.4 | 10.6 | 144.0 | 12.9 | 168.7 | 15.5 | 192.4 | 18.1 | |
| 105 | 84.9 | 7.9 | 103.2 | 9.7 | 120.4 | 11.5 | 144.0 | 14.0 | 168.7 | 16.7 | 183.5 | 18.6 | |
| 110 | 84.9 | 8.5 | 103.2 | 10.4 | 120.4 | 12.3 | 144.0 | 15.0 | 167.6 | 17.8 | 170.8 | 18.6 | |
| 115 | 84.9 | 8.9 | 103.2 | 11.0 | 120.4 | 13.0 | 144.0 | 15.8 | 151.0 | 17.0 | 153.9 | 17.7 | |
| 118 | 84.9 | 9.2 | 103.2 | 11.3 | 120.4 | 13.3 | 134.5 | 15.2 | 138.5 | 16.0 | 141.2 | 16.7 | |
| 125 | 84.9 | 9.6 | 92.6 | 10.6 | 95.8 | 11.1 | 99.5 | 11.7 | 102.4 | 12.3 | 104.4 | 12.9 | |

NOTE - Power Input = Compressor + Outdoor Fan Motor.
 MBH = 1000 BTUs per hour.

COOLING CAPACITY - TWO MODULE | VRB144L4

| Combination (%) | Outdoor Temperature °F (Dry Bulb) | Indoor Temperature - °F (Dry Bulb / Wet Bulb) | | | | | | | | | | | |
|-----------------|-----------------------------------|---|-------------|------------|-------------|------------|-------------|------------|-------------|------------|-------------|------------|-------------|
| | | 67 / 57 | | 71 / 60 | | 75 / 63 | | 80 / 67 | | 85 / 71 | | 90 / 75 | |
| | | Total Cap. | Power Input | Total Cap. | Power Input | Total Cap. | Power Input | Total Cap. | Power Input | Total Cap. | Power Input | Total Cap. | Power Input |
| | | MBH | KW | MBH | KW | MBH | KW | MBH | KW | MBH | KW | MBH | KW |
| 90% | -10 | 76.4 | 2.4 | 92.8 | 3.0 | 108.3 | 3.5 | 129.6 | 4.3 | 151.8 | 5.2 | 173.1 | 6.0 |
| | -5 | 76.4 | 2.6 | 92.8 | 3.2 | 108.3 | 3.8 | 129.6 | 4.6 | 151.8 | 5.5 | 173.1 | 6.4 |
| | 10 | 76.4 | 2.7 | 92.8 | 3.3 | 108.3 | 3.8 | 129.6 | 4.7 | 151.8 | 5.6 | 173.1 | 6.6 |
| | 15 | 76.4 | 2.7 | 92.8 | 3.3 | 108.3 | 3.9 | 129.6 | 4.8 | 151.8 | 5.7 | 173.1 | 6.7 |
| | 20 | 76.4 | 2.8 | 92.8 | 3.4 | 108.3 | 4.0 | 129.6 | 4.9 | 151.8 | 5.9 | 173.1 | 6.9 |
| | 25 | 76.4 | 2.8 | 92.8 | 3.5 | 108.3 | 4.1 | 129.6 | 5.0 | 151.8 | 6.0 | 173.1 | 7.0 |
| | 30 | 76.4 | 2.9 | 92.8 | 3.6 | 108.3 | 4.2 | 129.6 | 5.1 | 151.8 | 6.1 | 173.1 | 7.2 |
| | 35 | 76.4 | 3.0 | 92.8 | 3.6 | 108.3 | 4.3 | 129.6 | 5.3 | 151.8 | 6.3 | 173.1 | 7.3 |
| | 40 | 76.4 | 3.0 | 92.8 | 3.7 | 108.3 | 4.4 | 129.6 | 5.4 | 151.8 | 6.4 | 173.1 | 7.5 |
| | 45 | 76.4 | 3.1 | 92.8 | 3.8 | 108.3 | 4.5 | 129.6 | 5.5 | 151.8 | 6.6 | 173.1 | 7.7 |
| | 50 | 76.4 | 3.2 | 92.8 | 3.9 | 108.3 | 4.6 | 129.6 | 5.7 | 151.8 | 6.8 | 173.1 | 7.9 |
| | 55 | 76.4 | 3.3 | 92.8 | 4.0 | 108.3 | 4.8 | 129.6 | 5.8 | 151.8 | 7.0 | 173.1 | 8.1 |
| | 60 | 76.4 | 3.4 | 92.8 | 4.1 | 108.3 | 4.9 | 129.6 | 6.0 | 151.8 | 7.1 | 173.1 | 8.3 |
| | 65 | 76.4 | 3.5 | 92.8 | 4.3 | 108.3 | 5.0 | 129.6 | 6.1 | 151.8 | 7.3 | 173.1 | 8.6 |
| | 70 | 76.4 | 3.8 | 92.8 | 4.6 | 108.3 | 5.5 | 129.6 | 6.7 | 151.8 | 8.0 | 173.1 | 9.3 |
| | 75 | 76.4 | 4.1 | 92.8 | 5.1 | 108.3 | 6.0 | 129.6 | 7.3 | 151.8 | 8.8 | 173.1 | 10.2 |
| | 80 | 76.4 | 4.5 | 92.8 | 5.6 | 108.3 | 6.6 | 129.6 | 8.0 | 151.8 | 9.6 | 173.1 | 11.2 |
| | 85 | 76.4 | 5.0 | 92.8 | 6.1 | 108.3 | 7.2 | 129.6 | 8.8 | 151.8 | 10.6 | 173.1 | 12.3 |
| | 90 | 76.4 | 5.5 | 92.8 | 6.7 | 108.3 | 7.9 | 129.6 | 9.7 | 151.8 | 11.6 | 173.1 | 13.5 |
| | 95 | 76.4 | 6.0 | 92.8 | 7.3 | 108.3 | 8.7 | 129.6 | 10.6 | 151.8 | 12.6 | 173.1 | 14.8 |
| | 100 | 76.4 | 6.5 | 92.8 | 8.0 | 108.3 | 9.4 | 129.6 | 11.5 | 151.8 | 13.7 | 173.1 | 16.1 |
| 105 | 76.4 | 7.0 | 92.8 | 8.6 | 108.3 | 10.2 | 129.6 | 12.4 | 151.8 | 14.8 | 173.1 | 17.3 | |
| 110 | 76.4 | 7.5 | 92.8 | 9.2 | 108.3 | 10.9 | 129.6 | 13.3 | 151.8 | 15.9 | 170.8 | 18.3 | |
| 115 | 76.4 | 7.9 | 92.8 | 9.7 | 108.3 | 11.5 | 129.6 | 14.0 | 151.0 | 16.7 | 153.9 | 17.4 | |
| 118 | 76.4 | 8.2 | 92.8 | 10.0 | 108.3 | 11.8 | 129.6 | 14.4 | 138.5 | 15.8 | 141.2 | 16.5 | |
| 125 | 76.4 | 8.5 | 92.6 | 10.4 | 95.8 | 10.9 | 99.5 | 11.5 | 102.4 | 12.2 | 104.4 | 12.7 | |
| 80% | -10 | 67.9 | 2.1 | 82.5 | 2.6 | 96.3 | 3.1 | 115.2 | 3.8 | 135.0 | 4.5 | 153.9 | 5.3 |
| | -5 | 67.9 | 2.3 | 82.5 | 2.8 | 96.3 | 3.3 | 115.2 | 4.0 | 135.0 | 4.8 | 153.9 | 5.6 |
| | 10 | 67.9 | 2.3 | 82.5 | 2.9 | 96.3 | 3.4 | 115.2 | 4.1 | 135.0 | 4.9 | 153.9 | 5.7 |
| | 15 | 67.9 | 2.4 | 82.5 | 2.9 | 96.3 | 3.4 | 115.2 | 4.2 | 135.0 | 5.0 | 153.9 | 5.9 |
| | 20 | 67.9 | 2.4 | 82.5 | 3.0 | 96.3 | 3.5 | 115.2 | 4.3 | 135.0 | 5.1 | 153.9 | 6.0 |
| | 25 | 67.9 | 2.5 | 82.5 | 3.1 | 96.3 | 3.6 | 115.2 | 4.4 | 135.0 | 5.3 | 153.9 | 6.1 |
| | 30 | 67.9 | 2.5 | 82.5 | 3.1 | 96.3 | 3.7 | 115.2 | 4.5 | 135.0 | 5.4 | 153.9 | 6.3 |
| | 35 | 67.9 | 2.6 | 82.5 | 3.2 | 96.3 | 3.8 | 115.2 | 4.6 | 135.0 | 5.5 | 153.9 | 6.4 |
| | 40 | 67.9 | 2.7 | 82.5 | 3.3 | 96.3 | 3.9 | 115.2 | 4.7 | 135.0 | 5.6 | 153.9 | 6.6 |
| | 45 | 67.9 | 2.7 | 82.5 | 3.4 | 96.3 | 4.0 | 115.2 | 4.8 | 135.0 | 5.8 | 153.9 | 6.8 |
| | 50 | 67.9 | 2.8 | 82.5 | 3.4 | 96.3 | 4.1 | 115.2 | 5.0 | 135.0 | 5.9 | 153.9 | 6.9 |
| | 55 | 67.9 | 2.9 | 82.5 | 3.5 | 96.3 | 4.2 | 115.2 | 5.1 | 135.0 | 6.1 | 153.9 | 7.1 |
| | 60 | 67.9 | 3.0 | 82.5 | 3.6 | 96.3 | 4.3 | 115.2 | 5.2 | 135.0 | 6.3 | 153.9 | 7.3 |
| | 65 | 67.9 | 3.0 | 82.5 | 3.7 | 96.3 | 4.4 | 115.2 | 5.4 | 135.0 | 6.4 | 153.9 | 7.5 |
| | 70 | 67.9 | 3.3 | 82.5 | 4.1 | 96.3 | 4.8 | 115.2 | 5.8 | 135.0 | 7.0 | 153.9 | 8.2 |
| | 75 | 67.9 | 3.6 | 82.5 | 4.5 | 96.3 | 5.3 | 115.2 | 6.4 | 135.0 | 7.7 | 153.9 | 9.0 |
| | 80 | 67.9 | 4.0 | 82.5 | 4.9 | 96.3 | 5.8 | 115.2 | 7.0 | 135.0 | 8.4 | 153.9 | 9.9 |
| | 85 | 67.9 | 4.4 | 82.5 | 5.4 | 96.3 | 6.3 | 115.2 | 7.7 | 135.0 | 9.3 | 153.9 | 10.8 |
| | 90 | 67.9 | 4.8 | 82.5 | 5.9 | 96.3 | 6.9 | 115.2 | 8.5 | 135.0 | 10.1 | 153.9 | 11.8 |
| | 95 | 67.9 | 5.2 | 82.5 | 6.4 | 96.3 | 7.6 | 115.2 | 9.2 | 135.0 | 11.1 | 153.9 | 12.9 |
| | 100 | 67.9 | 5.7 | 82.5 | 7.0 | 96.3 | 8.2 | 115.2 | 10.1 | 135.0 | 12.0 | 153.9 | 14.1 |
| 105 | 67.9 | 6.1 | 82.5 | 7.5 | 96.3 | 8.9 | 115.2 | 10.9 | 135.0 | 13.0 | 153.9 | 15.2 | |
| 110 | 67.9 | 6.6 | 82.5 | 8.1 | 96.3 | 9.5 | 115.2 | 11.6 | 135.0 | 13.9 | 153.9 | 16.2 | |
| 115 | 67.9 | 6.9 | 82.5 | 8.5 | 96.3 | 10.1 | 115.2 | 12.3 | 135.0 | 14.7 | 153.9 | 17.2 | |
| 118 | 67.9 | 7.1 | 82.5 | 8.8 | 96.3 | 10.4 | 115.2 | 12.6 | 135.0 | 15.1 | 141.2 | 16.2 | |
| 125 | 67.9 | 7.5 | 82.5 | 9.2 | 95.8 | 10.8 | 99.5 | 11.4 | 102.4 | 12.0 | 104.4 | 12.5 | |

NOTE - Power Input = Compressor + Outdoor Fan Motor.
MBH = 1000 BTUs per hour.

COOLING CAPACITY - TWO MODULE | VRB144L4

| Combination (%) | Outdoor Temperature °F (Dry Bulb) | Indoor Temperature - °F (Dry Bulb / Wet Bulb) | | | | | | | | | | | |
|-----------------|-----------------------------------|---|-------------|------------|-------------|------------|-------------|------------|-------------|------------|-------------|------------|-------------|
| | | 67 / 57 | | 71 / 60 | | 75 / 63 | | 80 / 67 | | 85 / 71 | | 90 / 75 | |
| | | Total Cap. | Power Input | Total Cap. | Power Input | Total Cap. | Power Input | Total Cap. | Power Input | Total Cap. | Power Input | Total Cap. | Power Input |
| | | MBH | kW | MBH | kW | MBH | kW | MBH | kW | MBH | kW | MBH | kW |
| 70% | -10 | 59.4 | 1.8 | 72.2 | 2.3 | 84.3 | 2.7 | 100.8 | 3.3 | 118.1 | 3.9 | 134.7 | 4.6 |
| | -5 | 59.4 | 2.0 | 72.2 | 2.4 | 84.3 | 2.8 | 100.8 | 3.5 | 118.1 | 4.2 | 134.7 | 4.9 |
| | 10 | 59.4 | 2.0 | 72.2 | 2.5 | 84.3 | 2.9 | 100.8 | 3.5 | 118.1 | 4.2 | 134.7 | 5.0 |
| | 15 | 59.4 | 2.0 | 72.2 | 2.5 | 84.3 | 3.0 | 100.8 | 3.6 | 118.1 | 4.3 | 134.7 | 5.1 |
| | 20 | 59.4 | 2.1 | 72.2 | 2.6 | 84.3 | 3.0 | 100.8 | 3.7 | 118.1 | 4.4 | 134.7 | 5.2 |
| | 25 | 59.4 | 2.1 | 72.2 | 2.6 | 84.3 | 3.1 | 100.8 | 3.8 | 118.1 | 4.5 | 134.7 | 5.3 |
| | 30 | 59.4 | 2.2 | 72.2 | 2.7 | 84.3 | 3.2 | 100.8 | 3.9 | 118.1 | 4.6 | 134.7 | 5.4 |
| | 35 | 59.4 | 2.2 | 72.2 | 2.8 | 84.3 | 3.3 | 100.8 | 4.0 | 118.1 | 4.8 | 134.7 | 5.6 |
| | 40 | 59.4 | 2.3 | 72.2 | 2.8 | 84.3 | 3.3 | 100.8 | 4.1 | 118.1 | 4.9 | 134.7 | 5.7 |
| | 45 | 59.4 | 2.4 | 72.2 | 2.9 | 84.3 | 3.4 | 100.8 | 4.2 | 118.1 | 5.0 | 134.7 | 5.8 |
| | 50 | 59.4 | 2.4 | 72.2 | 3.0 | 84.3 | 3.5 | 100.8 | 4.3 | 118.1 | 5.1 | 134.7 | 6.0 |
| | 55 | 59.4 | 2.5 | 72.2 | 3.0 | 84.3 | 3.6 | 100.8 | 4.4 | 118.1 | 5.3 | 134.7 | 6.1 |
| | 60 | 59.4 | 2.5 | 72.2 | 3.1 | 84.3 | 3.7 | 100.8 | 4.5 | 118.1 | 5.4 | 134.7 | 6.3 |
| | 65 | 59.4 | 2.6 | 72.2 | 3.2 | 84.3 | 3.8 | 100.8 | 4.6 | 118.1 | 5.5 | 134.7 | 6.5 |
| | 70 | 59.4 | 2.8 | 72.2 | 3.5 | 84.3 | 4.1 | 100.8 | 5.0 | 118.1 | 6.0 | 134.7 | 7.0 |
| | 75 | 59.4 | 3.1 | 72.2 | 3.8 | 84.3 | 4.5 | 100.8 | 5.5 | 118.1 | 6.6 | 134.7 | 7.7 |
| | 80 | 59.4 | 3.4 | 72.2 | 4.2 | 84.3 | 5.0 | 100.8 | 6.1 | 118.1 | 7.3 | 134.7 | 8.5 |
| | 85 | 59.4 | 3.8 | 72.2 | 4.6 | 84.3 | 5.5 | 100.8 | 6.7 | 118.1 | 8.0 | 134.7 | 9.3 |
| | 90 | 59.4 | 4.1 | 72.2 | 5.1 | 84.3 | 6.0 | 100.8 | 7.3 | 118.1 | 8.7 | 134.7 | 10.2 |
| | 95 | 59.4 | 4.5 | 72.2 | 5.5 | 84.3 | 6.5 | 100.8 | 8.0 | 118.1 | 9.6 | 134.7 | 11.2 |
| 100 | 59.4 | 4.9 | 72.2 | 6.0 | 84.3 | 7.1 | 100.8 | 8.7 | 118.1 | 10.4 | 134.7 | 12.1 | |
| 105 | 59.4 | 5.3 | 72.2 | 6.5 | 84.3 | 7.7 | 100.8 | 9.4 | 118.1 | 11.2 | 134.7 | 13.1 | |
| 110 | 59.4 | 5.7 | 72.2 | 7.0 | 84.3 | 8.2 | 100.8 | 10.0 | 118.1 | 12.0 | 134.7 | 14.0 | |
| 115 | 59.4 | 6.0 | 72.2 | 7.4 | 84.3 | 8.7 | 100.8 | 10.6 | 118.1 | 12.7 | 134.7 | 14.8 | |
| 118 | 59.4 | 6.2 | 72.2 | 7.6 | 84.3 | 8.9 | 100.8 | 10.9 | 118.1 | 13.1 | 134.7 | 15.2 | |
| 125 | 59.4 | 6.4 | 72.2 | 7.9 | 84.3 | 9.3 | 99.5 | 11.2 | 102.4 | 11.8 | 104.4 | 12.3 | |
| 60% | -10 | 50.9 | 1.6 | 61.9 | 1.9 | 72.2 | 2.3 | 86.4 | 2.8 | 101.2 | 3.3 | 115.4 | 3.9 |
| | -5 | 50.9 | 1.7 | 61.9 | 2.0 | 72.2 | 2.4 | 86.4 | 2.9 | 101.2 | 3.5 | 115.4 | 4.1 |
| | 10 | 50.9 | 1.7 | 61.9 | 2.1 | 72.2 | 2.5 | 86.4 | 3.0 | 101.2 | 3.6 | 115.4 | 4.2 |
| | 15 | 50.9 | 1.7 | 61.9 | 2.1 | 72.2 | 2.5 | 86.4 | 3.1 | 101.2 | 3.7 | 115.4 | 4.3 |
| | 20 | 50.9 | 1.8 | 61.9 | 2.2 | 72.2 | 2.6 | 86.4 | 3.1 | 101.2 | 3.7 | 115.4 | 4.4 |
| | 25 | 50.9 | 1.8 | 61.9 | 2.2 | 72.2 | 2.6 | 86.4 | 3.2 | 101.2 | 3.8 | 115.4 | 4.5 |
| | 30 | 50.9 | 1.9 | 61.9 | 2.3 | 72.2 | 2.7 | 86.4 | 3.3 | 101.2 | 3.9 | 115.4 | 4.6 |
| | 35 | 50.9 | 1.9 | 61.9 | 2.3 | 72.2 | 2.8 | 86.4 | 3.4 | 101.2 | 4.0 | 115.4 | 4.7 |
| | 40 | 50.9 | 1.9 | 61.9 | 2.4 | 72.2 | 2.8 | 86.4 | 3.4 | 101.2 | 4.1 | 115.4 | 4.8 |
| | 45 | 50.9 | 2.0 | 61.9 | 2.4 | 72.2 | 2.9 | 86.4 | 3.5 | 101.2 | 4.2 | 115.4 | 4.9 |
| | 50 | 50.9 | 2.0 | 61.9 | 2.5 | 72.2 | 3.0 | 86.4 | 3.6 | 101.2 | 4.3 | 115.4 | 5.1 |
| | 55 | 50.9 | 2.1 | 61.9 | 2.6 | 72.2 | 3.0 | 86.4 | 3.7 | 101.2 | 4.4 | 115.4 | 5.2 |
| | 60 | 50.9 | 2.2 | 61.9 | 2.6 | 72.2 | 3.1 | 86.4 | 3.8 | 101.2 | 4.6 | 115.4 | 5.3 |
| | 65 | 50.9 | 2.2 | 61.9 | 2.7 | 72.2 | 3.2 | 86.4 | 3.9 | 101.2 | 4.7 | 115.4 | 5.5 |
| | 70 | 50.9 | 2.4 | 61.9 | 3.0 | 72.2 | 3.5 | 86.4 | 4.3 | 101.2 | 5.1 | 115.4 | 6.0 |
| | 75 | 50.9 | 2.6 | 61.9 | 3.2 | 72.2 | 3.8 | 86.4 | 4.7 | 101.2 | 5.6 | 115.4 | 6.5 |
| | 80 | 50.9 | 2.9 | 61.9 | 3.6 | 72.2 | 4.2 | 86.4 | 5.1 | 101.2 | 6.1 | 115.4 | 7.2 |
| | 85 | 50.9 | 3.2 | 61.9 | 3.9 | 72.2 | 4.6 | 86.4 | 5.6 | 101.2 | 6.7 | 115.4 | 7.9 |
| | 90 | 50.9 | 3.5 | 61.9 | 4.3 | 72.2 | 5.1 | 86.4 | 6.2 | 101.2 | 7.4 | 115.4 | 8.6 |
| | 95 | 50.9 | 3.8 | 61.9 | 4.7 | 72.2 | 5.5 | 86.4 | 6.7 | 101.2 | 8.1 | 115.4 | 9.4 |
| 100 | 50.9 | 4.1 | 61.9 | 5.1 | 72.2 | 6.0 | 86.4 | 7.3 | 101.2 | 8.8 | 115.4 | 10.2 | |
| 105 | 50.9 | 4.5 | 61.9 | 5.5 | 72.2 | 6.5 | 86.4 | 7.9 | 101.2 | 9.5 | 115.4 | 11.1 | |
| 110 | 50.9 | 4.8 | 61.9 | 5.9 | 72.2 | 6.9 | 86.4 | 8.5 | 101.2 | 10.1 | 115.4 | 11.8 | |
| 115 | 50.9 | 5.1 | 61.9 | 6.2 | 72.2 | 7.3 | 86.4 | 9.0 | 101.2 | 10.7 | 115.4 | 12.5 | |
| 118 | 50.9 | 5.2 | 61.9 | 6.4 | 72.2 | 7.6 | 86.4 | 9.2 | 101.2 | 11.0 | 115.4 | 12.9 | |
| 125 | 50.9 | 5.4 | 61.9 | 6.7 | 72.2 | 7.9 | 86.4 | 9.6 | 101.2 | 11.5 | 104.4 | 12.1 | |

NOTE - Power Input = Compressor + Outdoor Fan Motor.
 MBH = 1000 BTUs per hour.

COOLING CAPACITY - TWO MODULE | VRB144L4

| Combination (%) | Outdoor Temperature °F (Dry Bulb) | Indoor Temperature - °F (Dry Bulb / Wet Bulb) | | | | | | | | | | | |
|-----------------|-----------------------------------|---|-------------|------------|-------------|------------|-------------|------------|-------------|------------|-------------|------------|-------------|
| | | 67 / 57 | | 71 / 60 | | 75 / 63 | | 80 / 67 | | 85 / 71 | | 90 / 75 | |
| | | Total Cap. | Power Input | Total Cap. | Power Input | Total Cap. | Power Input | Total Cap. | Power Input | Total Cap. | Power Input | Total Cap. | Power Input |
| | | MBH | kW | MBH | kW | MBH | kW | MBH | kW | MBH | kW | MBH | kW |
| 50% | -10 | 42.4 | 1.3 | 51.6 | 1.6 | 60.2 | 1.9 | 72.0 | 2.3 | 84.4 | 2.7 | 96.2 | 3.2 |
| | -5 | 42.4 | 1.4 | 51.6 | 1.7 | 60.2 | 2.0 | 72.0 | 2.4 | 84.4 | 2.9 | 96.2 | 3.4 |
| | 10 | 42.4 | 1.4 | 51.6 | 1.7 | 60.2 | 2.0 | 72.0 | 2.5 | 84.4 | 2.9 | 96.2 | 3.4 |
| | 15 | 42.4 | 1.4 | 51.6 | 1.7 | 60.2 | 2.1 | 72.0 | 2.5 | 84.4 | 3.0 | 96.2 | 3.5 |
| | 20 | 42.4 | 1.5 | 51.6 | 1.8 | 60.2 | 2.1 | 72.0 | 2.6 | 84.4 | 3.1 | 96.2 | 3.6 |
| | 25 | 42.4 | 1.5 | 51.6 | 1.8 | 60.2 | 2.2 | 72.0 | 2.6 | 84.4 | 3.1 | 96.2 | 3.7 |
| | 30 | 42.4 | 1.5 | 51.6 | 1.9 | 60.2 | 2.2 | 72.0 | 2.7 | 84.4 | 3.2 | 96.2 | 3.8 |
| | 35 | 42.4 | 1.6 | 51.6 | 1.9 | 60.2 | 2.3 | 72.0 | 2.8 | 84.4 | 3.3 | 96.2 | 3.9 |
| | 40 | 42.4 | 1.6 | 51.6 | 2.0 | 60.2 | 2.3 | 72.0 | 2.8 | 84.4 | 3.4 | 96.2 | 3.9 |
| | 45 | 42.4 | 1.6 | 51.6 | 2.0 | 60.2 | 2.4 | 72.0 | 2.9 | 84.4 | 3.5 | 96.2 | 4.0 |
| | 50 | 42.4 | 1.7 | 51.6 | 2.1 | 60.2 | 2.4 | 72.0 | 3.0 | 84.4 | 3.6 | 96.2 | 4.2 |
| | 55 | 42.4 | 1.7 | 51.6 | 2.1 | 60.2 | 2.5 | 72.0 | 3.0 | 84.4 | 3.6 | 96.2 | 4.3 |
| | 60 | 42.4 | 1.8 | 51.6 | 2.2 | 60.2 | 2.6 | 72.0 | 3.1 | 84.4 | 3.7 | 96.2 | 4.4 |
| | 65 | 42.4 | 1.8 | 51.6 | 2.2 | 60.2 | 2.6 | 72.0 | 3.2 | 84.4 | 3.9 | 96.2 | 4.5 |
| | 70 | 42.4 | 2.0 | 51.6 | 2.4 | 60.2 | 2.9 | 72.0 | 3.5 | 84.4 | 4.2 | 96.2 | 4.9 |
| | 75 | 42.4 | 2.2 | 51.6 | 2.7 | 60.2 | 3.2 | 72.0 | 3.8 | 84.4 | 4.6 | 96.2 | 5.4 |
| | 80 | 42.4 | 2.4 | 51.6 | 2.9 | 60.2 | 3.5 | 72.0 | 4.2 | 84.4 | 5.1 | 96.2 | 5.9 |
| | 85 | 42.4 | 2.6 | 51.6 | 3.2 | 60.2 | 3.8 | 72.0 | 4.6 | 84.4 | 5.5 | 96.2 | 6.5 |
| 90 | 42.4 | 2.9 | 51.6 | 3.5 | 60.2 | 4.2 | 72.0 | 5.1 | 84.4 | 6.1 | 96.2 | 7.1 | |
| 95 | 42.4 | 3.1 | 51.6 | 3.8 | 60.2 | 4.5 | 72.0 | 5.5 | 84.4 | 6.6 | 96.2 | 7.7 | |
| 100 | 42.4 | 3.4 | 51.6 | 4.2 | 60.2 | 4.9 | 72.0 | 6.0 | 84.4 | 7.2 | 96.2 | 8.4 | |
| 105 | 42.4 | 3.7 | 51.6 | 4.5 | 60.2 | 5.3 | 72.0 | 6.5 | 84.4 | 7.8 | 96.2 | 9.1 | |
| 110 | 42.4 | 3.9 | 51.6 | 4.8 | 60.2 | 5.7 | 72.0 | 7.0 | 84.4 | 8.3 | 96.2 | 9.7 | |
| 115 | 42.4 | 4.2 | 51.6 | 5.1 | 60.2 | 6.0 | 72.0 | 7.4 | 84.4 | 8.8 | 96.2 | 10.3 | |
| 118 | 42.4 | 4.3 | 51.6 | 5.3 | 60.2 | 6.2 | 72.0 | 7.6 | 84.4 | 9.1 | 96.2 | 10.6 | |
| 125 | 42.4 | 4.5 | 51.6 | 5.5 | 60.2 | 6.5 | 72.0 | 7.9 | 84.4 | 9.5 | 96.2 | 11.0 | |

NOTE - Power Input = Compressor + Outdoor Fan Motor.
 MBH = 1000 BTUs per hour.

HEATING CAPACITY - TWO MODULE | VRB144L4

| Combination (%) | Outdoor Temperature (°F) | | Indoor Temperature - °F Dry Bulb | | | | | | | | | | | |
|-----------------|--------------------------|----------|----------------------------------|----------------|----------------|----------------|----------------|----------------|----------------|----------------|----------------|----------------|----------------|----------------|
| | | | 61 | | 64 | | 67 | | 70 | | 73 | | 75 | |
| | Dry Bulb | Wet Bulb | Total Cap. MBH | Power Input kW | Total Cap. MBH | Power Input kW | Total Cap. MBH | Power Input kW | Total Cap. MBH | Power Input kW | Total Cap. MBH | Power Input kW | Total Cap. MBH | Power Input kW |
| 130% | -22 | -23 | 107.3 | 19.5 | 105.2 | 19.7 | 103.3 | 20.0 | 101.4 | 20.3 | 99.7 | 20.6 | 98.7 | 20.9 |
| | -17 | -18 | 132.9 | 19.9 | 129.6 | 20.2 | 126.8 | 20.6 | 124.0 | 21.0 | 121.5 | 21.4 | 120.0 | 21.7 |
| | -13 | -14 | 157.2 | 20.4 | 153.0 | 20.8 | 149.4 | 21.2 | 145.9 | 21.6 | 142.9 | 22.1 | 141.1 | 22.4 |
| | -8 | -9 | 167.9 | 20.7 | 163.7 | 21.1 | 160.1 | 21.5 | 156.7 | 22.0 | 153.8 | 22.4 | 152.1 | 22.7 |
| | -3 | -4 | 172.8 | 20.9 | 168.9 | 21.3 | 165.6 | 21.7 | 162.5 | 22.2 | 159.9 | 22.7 | 158.4 | 23.0 |
| | 2 | 1 | 176.6 | 21.6 | 173.2 | 22.0 | 170.3 | 22.5 | 167.6 | 23.0 | 165.4 | 23.5 | 164.1 | 23.8 |
| | 7 | 6 | 181.6 | 22.0 | 178.6 | 22.5 | 176.1 | 23.0 | 173.9 | 23.5 | 172.0 | 24.1 | 170.9 | 24.4 |
| | 12 | 10 | 187.4 | 22.4 | 184.7 | 22.9 | 182.5 | 23.4 | 180.5 | 24.0 | 178.8 | 24.5 | 177.9 | 24.9 |
| | 17 | 15 | 196.7 | 23.0 | 194.4 | 23.5 | 192.5 | 24.0 | 190.8 | 24.6 | 189.4 | 25.2 | 188.7 | 24.9 |
| | 22 | 20 | 207.6 | 23.6 | 205.6 | 24.1 | 203.9 | 24.6 | 202.4 | 25.2 | 197.3 | 24.0 | 188.7 | 22.1 |
| | 27 | 24 | 218.0 | 24.1 | 216.2 | 24.7 | 214.7 | 25.2 | 210.6 | 24.3 | 197.3 | 21.5 | 188.7 | 19.8 |
| | 32 | 29 | 231.5 | 24.8 | 229.8 | 25.4 | 223.9 | 24.0 | 210.6 | 21.4 | 197.3 | 18.9 | 188.7 | 17.3 |
| | 37 | 34 | 249.7 | 25.7 | 236.4 | 23.2 | 223.9 | 21.0 | 210.6 | 18.8 | 197.3 | 16.6 | 188.7 | 15.4 |
| | 42 | 38 | 249.7 | 23.2 | 236.4 | 21.0 | 223.9 | 19.0 | 210.6 | 17.0 | 197.3 | 15.3 | 188.7 | 14.4 |
| | 47 | 43 | 249.7 | 20.5 | 236.4 | 18.5 | 223.9 | 16.8 | 210.6 | 15.3 | 197.3 | 14.0 | 188.7 | 13.2 |
| | 52 | 47 | 249.7 | 18.6 | 236.4 | 16.9 | 223.9 | 15.5 | 210.6 | 14.3 | 197.3 | 13.1 | 188.7 | 12.3 |
| | 57 | 52 | 249.7 | 16.6 | 236.4 | 15.3 | 223.9 | 14.2 | 210.6 | 13.0 | 197.3 | 11.9 | 188.7 | 11.2 |
| | 62 | 56 | 249.7 | 15.3 | 236.4 | 14.2 | 223.9 | 13.1 | 210.6 | 12.1 | 197.3 | 11.0 | 188.7 | 10.4 |
| | 67 | 61 | 249.7 | 13.9 | 236.4 | 12.8 | 223.9 | 11.9 | 210.6 | 10.9 | 197.3 | 10.0 | 188.7 | 9.5 |
| | 72 | 66 | 249.7 | 12.5 | 236.4 | 11.6 | 223.9 | 10.7 | 210.6 | 9.8 | 197.3 | 9.2 | 188.7 | 8.8 |
| 75 | 69 | 249.7 | 11.7 | 236.4 | 10.8 | 223.9 | 10.0 | 210.6 | 9.3 | 197.3 | 8.7 | 188.7 | 8.3 | |
| 80 | 74 | 249.7 | 10.5 | 236.4 | 9.7 | 223.9 | 9.1 | 210.6 | 8.5 | 197.3 | 7.9 | 188.7 | 7.6 | |
| 120% | -22 | -23 | 105.7 | 19.6 | 103.7 | 19.9 | 101.9 | 20.2 | 100.1 | 20.5 | 98.5 | 20.8 | 97.5 | 21.0 |
| | -17 | -18 | 130.2 | 20.1 | 127.2 | 20.5 | 124.5 | 20.8 | 122.0 | 21.2 | 119.6 | 21.6 | 118.3 | 21.9 |
| | -13 | -14 | 153.4 | 20.7 | 149.6 | 21.1 | 146.4 | 21.5 | 143.2 | 21.9 | 140.5 | 22.4 | 138.9 | 22.7 |
| | -8 | -9 | 164.0 | 21.0 | 160.2 | 21.4 | 157.0 | 21.9 | 153.9 | 22.3 | 151.3 | 22.8 | 149.9 | 23.1 |
| | -3 | -4 | 169.0 | 21.2 | 165.5 | 21.7 | 162.6 | 22.1 | 159.9 | 22.6 | 157.6 | 23.1 | 156.4 | 23.4 |
| | 2 | 1 | 173.1 | 22.0 | 170.1 | 22.4 | 167.6 | 22.9 | 165.3 | 23.4 | 163.3 | 23.9 | 162.3 | 24.3 |
| | 7 | 6 | 178.4 | 22.5 | 175.8 | 23.0 | 173.7 | 23.4 | 171.7 | 24.0 | 170.2 | 24.5 | 169.3 | 24.9 |
| | 12 | 10 | 184.4 | 22.9 | 182.1 | 23.4 | 180.2 | 23.9 | 178.5 | 24.5 | 177.2 | 25.1 | 174.2 | 24.1 |
| | 17 | 15 | 194.0 | 23.5 | 192.0 | 24.0 | 190.4 | 24.6 | 189.0 | 25.1 | 182.1 | 23.3 | 174.2 | 21.5 |
| | 22 | 20 | 205.0 | 24.1 | 203.3 | 24.7 | 201.9 | 25.2 | 194.4 | 23.2 | 182.1 | 20.6 | 174.2 | 18.8 |
| | 27 | 24 | 215.6 | 24.7 | 218.2 | 25.8 | 206.7 | 23.4 | 194.4 | 20.8 | 182.1 | 18.4 | 174.2 | 16.8 |
| | 32 | 29 | 230.5 | 25.1 | 218.2 | 22.7 | 206.7 | 20.5 | 194.4 | 18.3 | 182.1 | 16.1 | 174.2 | 15.0 |
| | 37 | 34 | 230.5 | 22.0 | 218.2 | 19.9 | 206.7 | 18.0 | 194.4 | 16.0 | 182.1 | 14.6 | 174.2 | 13.8 |
| | 42 | 38 | 230.5 | 19.9 | 218.2 | 18.0 | 206.7 | 16.3 | 194.4 | 14.9 | 182.1 | 13.7 | 174.2 | 12.9 |
| | 47 | 43 | 230.5 | 17.6 | 218.2 | 15.9 | 206.7 | 14.8 | 194.4 | 13.7 | 182.1 | 12.6 | 174.2 | 11.8 |
| | 52 | 47 | 230.5 | 16.0 | 218.2 | 14.8 | 206.7 | 13.8 | 194.4 | 12.7 | 182.1 | 11.7 | 174.2 | 11.0 |
| | 57 | 52 | 230.5 | 14.6 | 218.2 | 13.5 | 206.7 | 12.6 | 194.4 | 11.6 | 182.1 | 10.6 | 174.2 | 10.0 |
| | 62 | 56 | 230.5 | 13.5 | 218.2 | 12.6 | 206.7 | 11.6 | 194.4 | 10.7 | 182.1 | 9.9 | 174.2 | 9.5 |
| | 67 | 61 | 230.5 | 12.2 | 218.2 | 11.3 | 206.7 | 10.5 | 194.4 | 9.7 | 182.1 | 9.1 | 174.2 | 8.7 |
| | 72 | 66 | 230.5 | 11.0 | 218.2 | 10.2 | 206.7 | 9.5 | 194.4 | 8.9 | 182.1 | 8.4 | 174.2 | 8.0 |
| 75 | 69 | 230.5 | 10.3 | 218.2 | 9.5 | 206.7 | 9.0 | 194.4 | 8.5 | 182.1 | 7.9 | 174.2 | 7.6 | |
| 80 | 74 | 230.5 | 9.2 | 218.2 | 8.7 | 206.7 | 8.2 | 194.4 | 7.7 | 182.1 | 7.3 | 174.2 | 6.9 | |

NOTE - Power Input = Compressor + Outdoor Fan Motor.
 MBH = 1000 BTUs per hour.

HEATING CAPACITY - TWO MODULE | VRB144L4

| Combination (%) | Outdoor Temperature (°F) | | Indoor Temperature - °F Dry Bulb | | | | | | | | | | | |
|-----------------|--------------------------|----------|----------------------------------|----------------|----------------|----------------|----------------|----------------|----------------|----------------|----------------|----------------|----------------|----------------|
| | | | 61 | | 64 | | 67 | | 70 | | 73 | | 75 | |
| | Dry Bulb | Wet Bulb | Total Cap. MBH | Power Input kW | Total Cap. MBH | Power Input kW | Total Cap. MBH | Power Input kW | Total Cap. MBH | Power Input kW | Total Cap. MBH | Power Input kW | Total Cap. MBH | Power Input kW |
| 110% | -22 | -23 | 104.0 | 19.8 | 102.1 | 20.1 | 100.4 | 20.3 | 98.7 | 20.7 | 97.2 | 21.0 | 96.2 | 21.2 |
| | -17 | -18 | 127.5 | 20.4 | 124.7 | 20.8 | 122.2 | 21.1 | 119.9 | 21.5 | 117.7 | 21.9 | 116.5 | 22.2 |
| | -13 | -14 | 149.6 | 21.1 | 146.2 | 21.5 | 143.2 | 21.9 | 140.5 | 22.3 | 138.1 | 22.8 | 136.7 | 23.1 |
| | -8 | -9 | 159.9 | 21.4 | 156.6 | 21.8 | 153.8 | 22.3 | 151.2 | 22.7 | 149.0 | 23.2 | 147.8 | 23.6 |
| | -3 | -4 | 165.1 | 21.7 | 162.1 | 22.1 | 159.6 | 22.6 | 157.3 | 23.0 | 155.5 | 23.6 | 154.5 | 23.9 |
| | 2 | 1 | 169.6 | 22.4 | 167.0 | 22.9 | 164.9 | 23.4 | 163.0 | 23.9 | 161.5 | 24.5 | 159.7 | 24.1 |
| | 7 | 6 | 175.3 | 23.0 | 173.1 | 23.5 | 171.3 | 24.0 | 169.7 | 24.5 | 166.9 | 24.1 | 159.7 | 22.3 |
| | 12 | 10 | 181.5 | 23.4 | 179.6 | 24.0 | 178.0 | 24.5 | 178.2 | 25.0 | 166.9 | 22.3 | 159.7 | 20.5 |
| | 17 | 15 | 191.3 | 24.1 | 189.7 | 24.7 | 189.5 | 24.9 | 178.2 | 22.2 | 166.9 | 19.7 | 159.7 | 18.0 |
| | 22 | 20 | 202.5 | 24.8 | 200.1 | 24.3 | 189.5 | 22.0 | 178.2 | 19.6 | 166.9 | 17.2 | 159.7 | 15.7 |
| | 27 | 24 | 211.3 | 24.1 | 200.1 | 21.8 | 189.5 | 19.7 | 178.2 | 17.5 | 166.9 | 15.3 | 159.7 | 14.4 |
| | 32 | 29 | 211.3 | 21.2 | 200.1 | 19.2 | 189.5 | 17.3 | 178.2 | 15.3 | 166.9 | 14.1 | 159.7 | 13.3 |
| | 37 | 34 | 211.3 | 18.6 | 200.1 | 16.8 | 189.5 | 15.3 | 178.2 | 14.1 | 166.9 | 13.0 | 159.7 | 12.3 |
| | 42 | 38 | 211.3 | 16.8 | 200.1 | 15.3 | 189.5 | 14.3 | 178.2 | 13.2 | 166.9 | 12.2 | 159.7 | 11.5 |
| | 47 | 43 | 211.3 | 15.1 | 200.1 | 14.0 | 189.5 | 13.1 | 178.2 | 12.1 | 166.9 | 11.1 | 159.7 | 10.5 |
| | 52 | 47 | 211.3 | 14.1 | 200.1 | 13.1 | 189.5 | 12.2 | 178.2 | 11.2 | 166.9 | 10.3 | 159.7 | 9.8 |
| | 57 | 52 | 211.3 | 12.8 | 200.1 | 11.9 | 189.5 | 11.1 | 178.2 | 10.2 | 166.9 | 9.5 | 159.7 | 9.1 |
| | 62 | 56 | 211.3 | 11.9 | 200.1 | 11.0 | 189.5 | 10.2 | 178.2 | 9.6 | 166.9 | 9.0 | 159.7 | 8.6 |
| | 67 | 61 | 211.3 | 10.7 | 200.1 | 9.9 | 189.5 | 9.4 | 178.2 | 8.8 | 166.9 | 8.3 | 159.7 | 8.0 |
| | 72 | 66 | 211.3 | 9.6 | 200.1 | 9.1 | 189.5 | 8.6 | 178.2 | 8.1 | 166.9 | 7.6 | 159.7 | 7.3 |
| 75 | 69 | 211.3 | 9.1 | 200.1 | 8.6 | 189.5 | 8.1 | 178.2 | 7.7 | 166.9 | 7.2 | 159.7 | 6.9 | |
| 80 | 74 | 211.3 | 8.3 | 200.1 | 7.8 | 189.5 | 7.4 | 178.2 | 7.0 | 166.9 | 6.5 | 159.7 | 6.2 | |
| 100% | -22 | -23 | 102.2 | 20.0 | 100.4 | 20.3 | 98.8 | 20.6 | 97.2 | 20.9 | 95.8 | 21.2 | 94.9 | 21.5 |
| | -17 | -18 | 124.6 | 20.7 | 122.0 | 21.1 | 119.8 | 21.5 | 117.7 | 21.9 | 115.8 | 22.3 | 114.6 | 22.5 |
| | -13 | -14 | 145.7 | 21.5 | 142.6 | 21.9 | 140.1 | 22.3 | 137.7 | 22.8 | 135.7 | 23.2 | 134.5 | 23.5 |
| | -8 | -9 | 155.8 | 21.9 | 152.9 | 22.3 | 150.6 | 22.8 | 148.4 | 23.3 | 146.7 | 23.8 | 145.1 | 23.6 |
| | -3 | -4 | 161.3 | 22.2 | 158.7 | 22.6 | 156.7 | 23.1 | 154.9 | 23.6 | 151.8 | 23.3 | 145.1 | 21.9 |
| | 2 | 1 | 166.1 | 23.0 | 164.0 | 23.5 | 162.3 | 24.0 | 162.0 | 24.4 | 151.8 | 22.2 | 145.1 | 20.6 |
| | 7 | 6 | 172.2 | 23.6 | 170.4 | 24.1 | 172.2 | 25.1 | 162.0 | 22.7 | 151.8 | 20.3 | 145.1 | 18.8 |
| | 12 | 10 | 178.7 | 24.1 | 177.1 | 24.7 | 172.2 | 23.3 | 162.0 | 21.0 | 151.8 | 18.6 | 145.1 | 17.0 |
| | 17 | 15 | 192.1 | 25.2 | 181.9 | 22.9 | 172.2 | 20.7 | 162.0 | 18.4 | 151.8 | 16.1 | 145.1 | 14.6 |
| | 22 | 20 | 192.1 | 22.4 | 181.9 | 20.2 | 172.2 | 18.2 | 162.0 | 16.1 | 151.8 | 14.3 | 145.1 | 13.6 |
| | 27 | 24 | 192.1 | 20.0 | 181.9 | 18.0 | 172.2 | 16.2 | 162.0 | 14.6 | 151.8 | 13.4 | 145.1 | 12.7 |
| | 32 | 29 | 192.1 | 17.5 | 181.9 | 15.8 | 172.2 | 14.5 | 162.0 | 13.5 | 151.8 | 12.4 | 145.1 | 11.7 |
| | 37 | 34 | 192.1 | 15.4 | 181.9 | 14.3 | 172.2 | 13.4 | 162.0 | 12.4 | 151.8 | 11.4 | 145.1 | 10.8 |
| | 42 | 38 | 192.1 | 14.4 | 181.9 | 13.4 | 172.2 | 12.5 | 162.0 | 11.6 | 151.8 | 10.7 | 145.1 | 10.0 |
| | 47 | 43 | 192.1 | 13.2 | 181.9 | 12.3 | 172.2 | 11.4 | 162.0 | 10.6 | 151.8 | 9.8 | 145.1 | 9.4 |
| | 52 | 47 | 192.1 | 12.3 | 181.9 | 11.4 | 172.2 | 10.6 | 162.0 | 9.9 | 151.8 | 9.3 | 145.1 | 8.9 |
| | 57 | 52 | 192.1 | 11.1 | 181.9 | 10.3 | 172.2 | 9.7 | 162.0 | 9.2 | 151.8 | 8.6 | 145.1 | 8.3 |
| | 62 | 56 | 192.1 | 10.3 | 181.9 | 9.6 | 172.2 | 9.1 | 162.0 | 8.6 | 151.8 | 8.1 | 145.1 | 7.8 |
| | 67 | 61 | 192.1 | 9.4 | 181.9 | 8.9 | 172.2 | 8.4 | 162.0 | 8.0 | 151.8 | 7.5 | 145.1 | 7.2 |
| | 72 | 66 | 192.1 | 8.6 | 181.9 | 8.1 | 172.2 | 7.7 | 162.0 | 7.3 | 151.8 | 6.9 | 145.1 | 6.6 |
| 75 | 69 | 192.1 | 8.1 | 181.9 | 7.7 | 172.2 | 7.3 | 162.0 | 6.9 | 151.8 | 6.5 | 145.1 | 6.3 | |
| 80 | 74 | 192.1 | 7.4 | 181.9 | 7.0 | 172.2 | 6.7 | 162.0 | 6.2 | 151.8 | 5.9 | 145.1 | 5.6 | |

NOTE - Power Input = Compressor + Outdoor Fan Motor.
 MBH = 1000 BTUs per hour.

HEATING CAPACITY - TWO MODULE | VRB144L4

| Combination (%) | Outdoor Temperature (°F) | | Indoor Temperature - °F Dry Bulb | | | | | | | | | | | |
|-----------------|--------------------------|----------|----------------------------------|----------------|----------------|----------------|----------------|----------------|----------------|----------------|----------------|----------------|----------------|----------------|
| | | | 61 | | 64 | | 67 | | 70 | | 73 | | 75 | |
| | Dry Bulb | Wet Bulb | Total Cap. MBH | Power Input kW | Total Cap. MBH | Power Input kW | Total Cap. MBH | Power Input kW | Total Cap. MBH | Power Input kW | Total Cap. MBH | Power Input kW | Total Cap. MBH | Power Input kW |
| 90% | -22 | -23 | 100.2 | 20.2 | 98.6 | 20.5 | 97.1 | 20.8 | 95.7 | 21.2 | 94.3 | 21.5 | 93.6 | 21.8 |
| | -17 | -18 | 121.5 | 21.1 | 119.2 | 21.5 | 117.3 | 21.9 | 115.4 | 22.3 | 113.7 | 22.7 | 112.8 | 23.0 |
| | -13 | -14 | 141.6 | 22.0 | 139.0 | 22.4 | 136.9 | 22.8 | 135.0 | 23.3 | 133.4 | 23.8 | 130.6 | 23.4 |
| | -8 | -9 | 151.7 | 22.5 | 149.4 | 22.9 | 147.5 | 23.4 | 145.8 | 23.5 | 136.6 | 21.9 | 130.6 | 20.8 |
| | -3 | -4 | 157.5 | 22.8 | 155.5 | 23.3 | 155.0 | 23.7 | 145.8 | 21.9 | 136.6 | 20.0 | 130.6 | 18.8 |
| | 2 | 1 | 162.8 | 23.7 | 163.7 | 24.5 | 155.0 | 22.7 | 145.8 | 20.6 | 136.6 | 18.6 | 130.6 | 17.2 |
| | 7 | 6 | 172.9 | 24.9 | 163.7 | 22.9 | 155.0 | 20.9 | 145.8 | 18.8 | 136.6 | 16.6 | 130.6 | 15.2 |
| | 12 | 10 | 172.9 | 23.2 | 163.7 | 21.1 | 155.0 | 19.1 | 145.8 | 17.0 | 136.6 | 14.9 | 130.6 | 13.8 |
| | 17 | 15 | 172.9 | 20.7 | 163.7 | 18.6 | 155.0 | 16.7 | 145.8 | 14.7 | 136.6 | 13.5 | 130.6 | 12.8 |
| | 22 | 20 | 172.9 | 18.1 | 163.7 | 16.2 | 155.0 | 14.6 | 145.8 | 13.5 | 136.6 | 12.5 | 130.6 | 11.8 |
| | 27 | 24 | 172.9 | 16.1 | 163.7 | 14.6 | 155.0 | 13.7 | 145.8 | 12.7 | 136.6 | 11.7 | 130.6 | 11.1 |
| | 32 | 29 | 172.9 | 14.5 | 163.7 | 13.5 | 155.0 | 12.6 | 145.8 | 11.7 | 136.6 | 10.8 | 130.6 | 10.2 |
| | 37 | 34 | 172.9 | 13.3 | 163.7 | 12.4 | 155.0 | 11.6 | 145.8 | 10.7 | 136.6 | 9.9 | 130.6 | 9.5 |
| | 42 | 38 | 172.9 | 12.4 | 163.7 | 11.6 | 155.0 | 10.8 | 145.8 | 10.0 | 136.6 | 9.4 | 130.6 | 9.0 |
| | 47 | 43 | 172.9 | 11.3 | 163.7 | 10.6 | 155.0 | 9.9 | 145.8 | 9.3 | 136.6 | 8.8 | 130.6 | 8.5 |
| | 52 | 47 | 172.9 | 10.5 | 163.7 | 9.8 | 155.0 | 9.4 | 145.8 | 8.8 | 136.6 | 8.3 | 130.6 | 8.0 |
| | 57 | 52 | 172.9 | 9.6 | 163.7 | 9.1 | 155.0 | 8.7 | 145.8 | 8.2 | 136.6 | 7.8 | 130.6 | 7.5 |
| | 62 | 56 | 172.9 | 9.0 | 163.7 | 8.6 | 155.0 | 8.2 | 145.8 | 7.7 | 136.6 | 7.3 | 130.6 | 7.0 |
| | 67 | 61 | 172.9 | 8.3 | 163.7 | 7.9 | 155.0 | 7.5 | 145.8 | 7.1 | 136.6 | 6.8 | 130.6 | 6.5 |
| | 72 | 66 | 172.9 | 7.6 | 163.7 | 7.3 | 155.0 | 6.9 | 145.8 | 6.6 | 136.6 | 6.2 | 130.6 | 6.0 |
| 75 | 69 | 172.9 | 7.2 | 163.7 | 6.9 | 155.0 | 6.5 | 145.8 | 6.2 | 136.6 | 5.9 | 130.6 | 5.7 | |
| 80 | 74 | 172.9 | 6.5 | 163.7 | 6.2 | 155.0 | 5.9 | 145.8 | 5.5 | 136.6 | 5.2 | 130.6 | 5.1 | |
| 80% | -22 | -23 | 98.1 | 20.6 | 96.6 | 20.9 | 95.3 | 21.2 | 94.0 | 21.6 | 92.8 | 21.9 | 92.1 | 22.2 |
| | -17 | -18 | 118.3 | 21.6 | 116.3 | 22.0 | 114.6 | 22.4 | 113.0 | 22.8 | 111.7 | 23.2 | 110.9 | 23.5 |
| | -13 | -14 | 137.6 | 22.6 | 135.5 | 23.1 | 133.9 | 23.5 | 129.6 | 23.0 | 121.4 | 21.6 | 116.1 | 20.7 |
| | -8 | -9 | 147.8 | 23.2 | 145.5 | 23.2 | 137.8 | 21.9 | 129.6 | 20.4 | 121.4 | 18.8 | 116.1 | 17.8 |
| | -3 | -4 | 153.7 | 23.1 | 145.5 | 21.5 | 137.8 | 20.0 | 129.6 | 18.4 | 121.4 | 16.6 | 116.1 | 15.5 |
| | 2 | 1 | 153.7 | 22.1 | 145.5 | 20.3 | 137.8 | 18.6 | 129.6 | 16.8 | 121.4 | 14.9 | 116.1 | 13.7 |
| | 7 | 6 | 153.7 | 20.3 | 145.5 | 18.5 | 137.8 | 16.7 | 129.6 | 14.8 | 121.4 | 13.3 | 116.1 | 12.6 |
| | 12 | 10 | 153.7 | 18.6 | 145.5 | 16.7 | 137.8 | 15.0 | 129.6 | 13.5 | 121.4 | 12.5 | 116.1 | 11.8 |
| | 17 | 15 | 153.7 | 16.2 | 145.5 | 14.5 | 137.8 | 13.5 | 129.6 | 12.5 | 121.4 | 11.6 | 116.1 | 10.9 |
| | 22 | 20 | 153.7 | 14.2 | 145.5 | 13.3 | 137.8 | 12.5 | 129.6 | 11.6 | 121.4 | 10.7 | 116.1 | 10.1 |
| | 27 | 24 | 153.7 | 13.3 | 145.5 | 12.5 | 137.8 | 11.7 | 129.6 | 10.8 | 121.4 | 10.0 | 116.1 | 9.5 |
| | 32 | 29 | 153.7 | 12.3 | 145.5 | 11.5 | 137.8 | 10.8 | 129.6 | 10.0 | 121.4 | 9.3 | 116.1 | 9.0 |
| | 37 | 34 | 153.7 | 11.3 | 145.5 | 10.6 | 137.8 | 9.9 | 129.6 | 9.3 | 121.4 | 8.8 | 116.1 | 8.5 |
| | 42 | 38 | 153.7 | 10.5 | 145.5 | 9.8 | 137.8 | 9.4 | 129.6 | 8.9 | 121.4 | 8.4 | 116.1 | 8.1 |
| | 47 | 43 | 153.7 | 9.6 | 145.5 | 9.2 | 137.8 | 8.8 | 129.6 | 8.3 | 121.4 | 7.9 | 116.1 | 7.6 |
| | 52 | 47 | 153.7 | 9.1 | 145.5 | 8.7 | 137.8 | 8.3 | 129.6 | 7.9 | 121.4 | 7.4 | 116.1 | 7.2 |
| | 57 | 52 | 153.7 | 8.5 | 145.5 | 8.1 | 137.8 | 7.7 | 129.6 | 7.3 | 121.4 | 6.9 | 116.1 | 6.7 |
| | 62 | 56 | 153.7 | 8.0 | 145.5 | 7.6 | 137.8 | 7.3 | 129.6 | 6.9 | 121.4 | 6.5 | 116.1 | 6.3 |
| | 67 | 61 | 153.7 | 7.3 | 145.5 | 7.0 | 137.8 | 6.7 | 129.6 | 6.4 | 121.4 | 6.0 | 116.1 | 5.8 |
| | 72 | 66 | 153.7 | 6.7 | 145.5 | 6.4 | 137.8 | 6.1 | 129.6 | 5.8 | 121.4 | 5.5 | 116.1 | 5.4 |
| 75 | 69 | 153.7 | 6.4 | 145.5 | 6.1 | 137.8 | 5.8 | 129.6 | 5.5 | 121.4 | 5.2 | 116.1 | 5.1 | |
| 80 | 74 | 153.7 | 5.7 | 145.5 | 5.4 | 137.8 | 5.2 | 129.6 | 4.9 | 121.4 | 4.7 | 116.1 | 4.6 | |

NOTE - Power Input = Compressor + Outdoor Fan Motor.
 MBH = 1000 BTUs per hour.

HEATING CAPACITY - TWO MODULE | VRB144L4

| Combination (%) | Outdoor Temperature (°F) | | Indoor Temperature - °F Dry Bulb | | | | | | | | | | | |
|-----------------|--------------------------|----------|----------------------------------|----------------|----------------|----------------|----------------|----------------|----------------|----------------|----------------|----------------|----------------|----------------|
| | | | 61 | | 64 | | 67 | | 70 | | 73 | | 75 | |
| | Dry Bulb | Wet Bulb | Total Cap. MBH | Power Input kW | Total Cap. MBH | Power Input kW | Total Cap. MBH | Power Input kW | Total Cap. MBH | Power Input kW | Total Cap. MBH | Power Input kW | Total Cap. MBH | Power Input kW |
| 70% | -22 | -23 | 95.8 | 21.0 | 94.5 | 21.3 | 93.3 | 21.7 | 92.2 | 22.0 | 91.2 | 22.4 | 90.5 | 22.7 |
| | -17 | -18 | 114.9 | 22.2 | 113.3 | 22.7 | 111.9 | 23.1 | 110.7 | 23.5 | 106.2 | 22.8 | 101.6 | 21.9 |
| | -13 | -14 | 134.5 | 23.5 | 127.3 | 22.4 | 120.6 | 21.2 | 113.4 | 20.0 | 106.2 | 18.6 | 101.6 | 17.7 |
| | -8 | -9 | 134.5 | 21.0 | 127.3 | 19.7 | 120.6 | 18.5 | 113.4 | 17.1 | 106.2 | 15.6 | 101.6 | 14.6 |
| | -3 | -4 | 134.5 | 19.1 | 127.3 | 17.7 | 120.6 | 16.3 | 113.4 | 14.7 | 106.2 | 13.2 | 101.6 | 12.4 |
| | 2 | 1 | 134.5 | 17.6 | 127.3 | 16.1 | 120.6 | 14.5 | 113.4 | 13.0 | 106.2 | 12.1 | 101.6 | 11.4 |
| | 7 | 6 | 134.5 | 15.7 | 127.3 | 14.1 | 120.6 | 13.0 | 113.4 | 12.1 | 106.2 | 11.2 | 101.6 | 10.6 |
| | 12 | 10 | 134.5 | 14.0 | 127.3 | 13.1 | 120.6 | 12.2 | 113.4 | 11.4 | 106.2 | 10.5 | 101.6 | 9.9 |
| | 17 | 15 | 134.5 | 12.9 | 127.3 | 12.1 | 120.6 | 11.3 | 113.4 | 10.5 | 106.2 | 9.7 | 101.6 | 9.2 |
| | 22 | 20 | 134.5 | 11.9 | 127.3 | 11.2 | 120.6 | 10.5 | 113.4 | 9.7 | 106.2 | 9.1 | 101.6 | 8.7 |
| | 27 | 24 | 134.5 | 11.2 | 127.3 | 10.4 | 120.6 | 9.8 | 113.4 | 9.2 | 106.2 | 8.7 | 101.6 | 8.4 |
| | 32 | 29 | 134.5 | 10.3 | 127.3 | 9.6 | 120.6 | 9.2 | 113.4 | 8.7 | 106.2 | 8.2 | 101.6 | 7.9 |
| | 37 | 34 | 134.5 | 9.5 | 127.3 | 9.0 | 120.6 | 8.6 | 113.4 | 8.2 | 106.2 | 7.8 | 101.6 | 7.5 |
| | 42 | 38 | 134.5 | 9.0 | 127.3 | 8.6 | 120.6 | 8.2 | 113.4 | 7.8 | 106.2 | 7.4 | 101.6 | 7.1 |
| | 47 | 43 | 134.5 | 8.4 | 127.3 | 8.0 | 120.6 | 7.7 | 113.4 | 7.3 | 106.2 | 6.9 | 101.6 | 6.7 |
| | 52 | 47 | 134.5 | 8.0 | 127.3 | 7.6 | 120.6 | 7.3 | 113.4 | 6.9 | 106.2 | 6.6 | 101.6 | 6.3 |
| | 57 | 52 | 134.5 | 7.4 | 127.3 | 7.1 | 120.6 | 6.8 | 113.4 | 6.4 | 106.2 | 6.1 | 101.6 | 5.9 |
| | 62 | 56 | 134.5 | 7.0 | 127.3 | 6.7 | 120.6 | 6.4 | 113.4 | 6.1 | 106.2 | 5.8 | 101.6 | 5.6 |
| | 67 | 61 | 134.5 | 6.4 | 127.3 | 6.1 | 120.6 | 5.9 | 113.4 | 5.6 | 106.2 | 5.3 | 101.6 | 5.3 |
| | 72 | 66 | 134.5 | 5.9 | 127.3 | 5.6 | 120.6 | 5.4 | 113.4 | 5.2 | 106.2 | 5.0 | 101.6 | 4.8 |
| 75 | 69 | 134.5 | 5.5 | 127.3 | 5.3 | 120.6 | 5.1 | 113.4 | 5.0 | 106.2 | 4.8 | 101.6 | 4.6 | |
| 80 | 74 | 134.5 | 4.9 | 127.3 | 4.7 | 120.6 | 4.6 | 113.4 | 4.5 | 106.2 | 4.2 | 101.6 | 4.1 | |
| 60% | -22 | -23 | 93.3 | 21.6 | 92.2 | 22.0 | 91.2 | 22.3 | 90.3 | 22.7 | 91.1 | 23.5 | 87.1 | 22.8 |
| | -17 | -18 | 111.5 | 23.1 | 109.1 | 23.0 | 103.3 | 21.9 | 97.2 | 20.7 | 91.1 | 19.5 | 87.1 | 18.6 |
| | -13 | -14 | 115.3 | 20.0 | 109.1 | 18.9 | 103.3 | 17.8 | 97.2 | 16.6 | 91.1 | 15.4 | 87.1 | 14.5 |
| | -8 | -9 | 115.3 | 17.1 | 109.1 | 15.9 | 103.3 | 14.8 | 97.2 | 13.5 | 91.1 | 12.5 | 87.1 | 11.8 |
| | -3 | -4 | 115.3 | 14.9 | 109.1 | 13.6 | 103.3 | 12.5 | 97.2 | 11.6 | 91.1 | 10.8 | 87.1 | 10.2 |
| | 2 | 1 | 115.3 | 13.1 | 109.1 | 12.3 | 103.3 | 11.5 | 97.2 | 10.7 | 91.1 | 9.9 | 87.1 | 9.4 |
| | 7 | 6 | 115.3 | 12.1 | 109.1 | 11.4 | 103.3 | 10.7 | 97.2 | 9.9 | 91.1 | 9.1 | 87.1 | 8.7 |
| | 12 | 10 | 115.3 | 11.4 | 109.1 | 10.7 | 103.3 | 10.0 | 97.2 | 9.3 | 91.1 | 8.7 | 87.1 | 8.4 |
| | 17 | 15 | 115.3 | 10.5 | 109.1 | 9.9 | 103.3 | 9.2 | 97.2 | 8.7 | 91.1 | 8.3 | 87.1 | 8.0 |
| | 22 | 20 | 115.3 | 9.7 | 109.1 | 9.1 | 103.3 | 8.7 | 97.2 | 8.3 | 91.1 | 7.9 | 87.1 | 7.6 |
| | 27 | 24 | 115.3 | 9.1 | 109.1 | 8.7 | 103.3 | 8.4 | 97.2 | 7.9 | 91.1 | 7.5 | 87.1 | 7.3 |
| | 32 | 29 | 115.3 | 8.7 | 109.1 | 8.3 | 103.3 | 7.9 | 97.2 | 7.5 | 91.1 | 7.1 | 87.1 | 6.9 |
| | 37 | 34 | 115.3 | 8.1 | 109.1 | 7.8 | 103.3 | 7.5 | 97.2 | 7.1 | 91.1 | 6.7 | 87.1 | 6.5 |
| | 42 | 38 | 115.3 | 7.8 | 109.1 | 7.4 | 103.3 | 7.1 | 97.2 | 6.8 | 91.1 | 6.4 | 87.1 | 6.2 |
| | 47 | 43 | 115.3 | 7.3 | 109.1 | 6.9 | 103.3 | 6.6 | 97.2 | 6.3 | 91.1 | 6.0 | 87.1 | 5.8 |
| | 52 | 47 | 115.3 | 6.9 | 109.1 | 6.6 | 103.3 | 6.3 | 97.2 | 6.0 | 91.1 | 5.7 | 87.1 | 5.5 |
| | 57 | 52 | 115.3 | 6.4 | 109.1 | 6.1 | 103.3 | 5.9 | 97.2 | 5.6 | 91.1 | 5.4 | 87.1 | 5.2 |
| | 62 | 56 | 115.3 | 6.0 | 109.1 | 5.8 | 103.3 | 5.5 | 97.2 | 5.3 | 91.1 | 5.1 | 87.1 | 5.0 |
| | 67 | 61 | 115.3 | 5.5 | 109.1 | 5.3 | 103.3 | 5.2 | 97.2 | 5.0 | 91.1 | 4.8 | 87.1 | 4.6 |
| | 72 | 66 | 115.3 | 5.1 | 109.1 | 5.0 | 103.3 | 4.8 | 97.2 | 4.6 | 91.1 | 4.4 | 87.1 | 4.2 |
| 75 | 69 | 115.3 | 4.9 | 109.1 | 4.7 | 103.3 | 4.6 | 97.2 | 4.4 | 91.1 | 4.2 | 87.1 | 4.0 | |
| 80 | 74 | 115.3 | 4.4 | 109.1 | 4.2 | 103.3 | 4.0 | 97.2 | 3.8 | 91.1 | 3.6 | 87.1 | 3.5 | |

NOTE - Power Input = Compressor + Outdoor Fan Motor.
 MBH = 1000 BTUs per hour.

HEATING CAPACITY - TWO MODULE | VRB144L4

| Combination (%) | Outdoor Temperature (°F) | | Indoor Temperature - °F Dry Bulb | | | | | | | | | | | |
|-----------------|--------------------------|----------|----------------------------------|----------------|----------------|----------------|----------------|----------------|----------------|----------------|----------------|----------------|----------------|----------------|
| | | | 61 | | 64 | | 67 | | 70 | | 73 | | 75 | |
| | Dry Bulb | Wet Bulb | Total Cap. MBH | Power Input kW | Total Cap. MBH | Power Input kW | Total Cap. MBH | Power Input kW | Total Cap. MBH | Power Input kW | Total Cap. MBH | Power Input kW | Total Cap. MBH | Power Input kW |
| 50% | -22 | -23 | 90.6 | 22.5 | 90.9 | 23.2 | 86.1 | 22.3 | 81.0 | 21.3 | 75.9 | 20.2 | 72.6 | 19.4 |
| | -17 | -18 | 96.1 | 20.2 | 90.9 | 19.1 | 86.1 | 18.2 | 81.0 | 17.0 | 75.9 | 15.7 | 72.6 | 14.9 |
| | -13 | -14 | 96.1 | 16.1 | 90.9 | 15.1 | 86.1 | 14.1 | 81.0 | 13.1 | 75.9 | 12.1 | 72.6 | 11.5 |
| | -8 | -9 | 96.1 | 13.1 | 90.9 | 12.3 | 86.1 | 11.5 | 81.0 | 10.7 | 75.9 | 9.8 | 72.6 | 9.3 |
| | -3 | -4 | 96.1 | 11.3 | 90.9 | 10.6 | 86.1 | 9.9 | 81.0 | 9.2 | 75.9 | 8.5 | 72.6 | 8.1 |
| | 2 | 1 | 96.1 | 10.4 | 90.9 | 9.7 | 86.1 | 9.1 | 81.0 | 8.4 | 75.9 | 8.0 | 72.6 | 7.7 |
| | 7 | 6 | 96.1 | 9.6 | 90.9 | 9.0 | 86.1 | 8.5 | 81.0 | 8.1 | 75.9 | 7.6 | 72.6 | 7.4 |
| | 12 | 10 | 96.1 | 9.0 | 90.9 | 8.5 | 86.1 | 8.2 | 81.0 | 7.8 | 75.9 | 7.4 | 72.6 | 7.1 |
| | 17 | 15 | 96.1 | 8.5 | 90.9 | 8.1 | 86.1 | 7.8 | 81.0 | 7.4 | 75.9 | 7.0 | 72.6 | 6.8 |
| | 22 | 20 | 96.1 | 8.1 | 90.9 | 7.7 | 86.1 | 7.4 | 81.0 | 7.0 | 75.9 | 6.7 | 72.6 | 6.5 |
| | 27 | 24 | 96.1 | 7.7 | 90.9 | 7.4 | 86.1 | 7.1 | 81.0 | 6.7 | 75.9 | 6.4 | 72.6 | 6.2 |
| | 32 | 29 | 96.1 | 7.3 | 90.9 | 7.0 | 86.1 | 6.7 | 81.0 | 6.4 | 75.9 | 6.1 | 72.6 | 5.9 |
| | 37 | 34 | 96.1 | 6.9 | 90.9 | 6.6 | 86.1 | 6.3 | 81.0 | 6.0 | 75.9 | 5.8 | 72.6 | 5.6 |
| | 42 | 38 | 96.1 | 6.5 | 90.9 | 6.3 | 86.1 | 6.0 | 81.0 | 5.8 | 75.9 | 5.5 | 72.6 | 5.4 |
| | 47 | 43 | 96.1 | 6.1 | 90.9 | 5.9 | 86.1 | 5.7 | 81.0 | 5.4 | 75.9 | 5.2 | 72.6 | 5.1 |
| | 52 | 47 | 96.1 | 5.8 | 90.9 | 5.6 | 86.1 | 5.4 | 81.0 | 5.2 | 75.9 | 5.0 | 72.6 | 4.8 |
| | 57 | 52 | 96.1 | 5.4 | 90.9 | 5.3 | 86.1 | 5.1 | 81.0 | 4.9 | 75.9 | 4.7 | 72.6 | 4.5 |
| | 62 | 56 | 96.1 | 5.2 | 90.9 | 5.0 | 86.1 | 4.8 | 81.0 | 4.6 | 75.9 | 4.4 | 72.6 | 4.3 |
| 67 | 61 | 96.1 | 4.8 | 90.9 | 4.6 | 86.1 | 4.5 | 81.0 | 4.3 | 75.9 | 4.1 | 72.6 | 4.0 | |
| 72 | 66 | 96.1 | 4.4 | 90.9 | 4.3 | 86.1 | 4.1 | 81.0 | 3.9 | 75.9 | 3.8 | 72.6 | 3.7 | |
| 75 | 69 | 96.1 | 4.2 | 90.9 | 4.1 | 86.1 | 3.9 | 81.0 | 3.7 | 75.9 | 3.6 | 72.6 | 3.5 | |
| 80 | 74 | 96.1 | 3.7 | 90.9 | 3.5 | 86.1 | 3.4 | 81.0 | 3.2 | 75.9 | 3.1 | 72.6 | 3.0 | |

NOTE - Power Input = Compressor + Outdoor Fan Motor.
 MBH = 1000 BTUs per hour.

COOLING CAPACITY - TWO MODULE | VRB168L4

| Combination (%) | Outdoor Temperature °F (Dry Bulb) | Indoor Temperature - °F (Dry Bulb / Wet Bulb) | | | | | | | | | | | |
|-----------------|-----------------------------------|---|-------------|------------|-------------|------------|-------------|------------|-------------|------------|-------------|------------|-------------|
| | | 67 / 57 | | 71 / 60 | | 75 / 63 | | 80 / 67 | | 85 / 71 | | 90 / 75 | |
| | | Total Cap. | Power Input | Total Cap. | Power Input | Total Cap. | Power Input | Total Cap. | Power Input | Total Cap. | Power Input | Total Cap. | Power Input |
| | | MBH | KW | MBH | KW | MBH | KW | MBH | KW | MBH | KW | MBH | KW |
| 130% | -10 | 128.8 | 4.4 | 156.5 | 5.4 | 182.5 | 6.4 | 218.4 | 7.8 | 255.9 | 9.3 | 291.7 | 10.9 |
| | -5 | 128.8 | 4.7 | 156.5 | 5.8 | 182.5 | 6.8 | 218.4 | 8.3 | 255.9 | 9.9 | 284.2 | 11.3 |
| | 10 | 128.8 | 4.8 | 156.5 | 5.9 | 182.5 | 7.0 | 218.4 | 8.5 | 255.9 | 10.1 | 281.5 | 11.4 |
| | 15 | 128.8 | 4.9 | 156.5 | 6.0 | 182.5 | 7.1 | 218.4 | 8.7 | 255.9 | 10.4 | 276.3 | 11.5 |
| | 20 | 128.8 | 5.0 | 156.5 | 6.1 | 182.5 | 7.3 | 218.4 | 8.8 | 255.9 | 10.6 | 270.8 | 11.5 |
| | 25 | 128.8 | 5.1 | 156.5 | 6.3 | 182.5 | 7.4 | 218.4 | 9.1 | 255.9 | 10.8 | 265.0 | 11.5 |
| | 30 | 128.8 | 5.2 | 156.5 | 6.4 | 182.5 | 7.6 | 218.4 | 9.3 | 252.2 | 10.9 | 259.3 | 11.5 |
| | 35 | 128.8 | 5.4 | 156.5 | 6.6 | 182.5 | 7.8 | 218.4 | 9.5 | 249.5 | 11.1 | 254.0 | 11.5 |
| | 40 | 128.8 | 5.5 | 156.5 | 6.8 | 182.5 | 8.0 | 218.4 | 9.7 | 248.1 | 11.3 | 250.8 | 11.7 |
| | 45 | 128.8 | 5.6 | 156.5 | 6.9 | 182.5 | 8.2 | 218.4 | 10.0 | 247.9 | 11.6 | 250.0 | 11.9 |
| | 50 | 128.8 | 5.8 | 156.5 | 7.1 | 182.5 | 8.4 | 218.4 | 10.2 | 246.3 | 11.8 | 249.6 | 12.2 |
| | 55 | 128.8 | 5.9 | 156.5 | 7.3 | 182.5 | 8.6 | 218.4 | 10.5 | 246.3 | 12.1 | 249.7 | 12.5 |
| | 60 | 128.8 | 6.1 | 156.5 | 7.5 | 182.5 | 8.8 | 218.4 | 10.8 | 247.3 | 12.5 | 249.9 | 12.9 |
| | 65 | 128.8 | 6.3 | 156.5 | 7.7 | 182.5 | 9.1 | 218.4 | 11.1 | 245.6 | 12.7 | 250.3 | 13.3 |
| | 70 | 128.8 | 6.8 | 156.5 | 8.4 | 182.5 | 9.9 | 218.4 | 12.0 | 245.8 | 13.9 | 250.6 | 14.5 |
| | 75 | 128.8 | 7.5 | 156.5 | 9.2 | 182.5 | 10.8 | 218.4 | 13.2 | 245.7 | 15.2 | 250.4 | 15.9 |
| | 80 | 128.8 | 8.2 | 156.5 | 10.1 | 182.5 | 11.9 | 218.4 | 14.5 | 244.7 | 16.6 | 249.4 | 17.4 |
| | 85 | 128.8 | 9.0 | 156.5 | 11.1 | 182.5 | 13.1 | 218.4 | 15.9 | 242.6 | 18.1 | 247.2 | 18.9 |
| | 90 | 128.8 | 9.9 | 156.5 | 12.1 | 182.5 | 14.3 | 218.4 | 17.5 | 238.8 | 19.5 | 243.4 | 20.4 |
| | 95 | 128.8 | 10.8 | 156.5 | 13.2 | 182.5 | 15.6 | 214.0 | 18.7 | 220.5 | 19.7 | 223.9 | 20.4 |
| 100 | 128.8 | 11.7 | 156.5 | 14.4 | 182.5 | 17.0 | 208.6 | 19.8 | 211.4 | 20.5 | 215.5 | 21.4 | |
| 105 | 128.8 | 12.6 | 156.5 | 15.5 | 182.5 | 18.4 | 194.3 | 19.9 | 200.0 | 20.9 | 203.9 | 21.8 | |
| 110 | 128.8 | 13.5 | 156.5 | 16.6 | 172.6 | 18.6 | 179.4 | 19.6 | 184.7 | 20.7 | 188.3 | 21.6 | |
| 115 | 128.8 | 14.3 | 147.8 | 16.6 | 154.2 | 17.5 | 160.1 | 18.5 | 164.9 | 19.5 | 168.0 | 20.4 | |
| 118 | 125.3 | 14.3 | 135.8 | 15.7 | 140.5 | 16.4 | 145.9 | 17.4 | 150.2 | 18.3 | 153.1 | 19.1 | |
| 125 | 93.7 | 11.2 | 97.8 | 11.8 | 101.2 | 12.3 | 105.1 | 13.0 | 108.2 | 13.7 | 110.3 | 14.3 | |
| 120% | -10 | 118.9 | 4.0 | 144.4 | 4.9 | 168.5 | 5.8 | 201.6 | 7.1 | 236.2 | 8.5 | 269.3 | 9.9 |
| | -5 | 118.9 | 4.3 | 144.4 | 5.2 | 168.5 | 6.2 | 201.6 | 7.5 | 236.2 | 9.0 | 269.3 | 10.5 |
| | 10 | 118.9 | 4.4 | 144.4 | 5.4 | 168.5 | 6.3 | 201.6 | 7.7 | 236.2 | 9.2 | 269.2 | 10.8 |
| | 15 | 118.9 | 4.4 | 144.4 | 5.5 | 168.5 | 6.5 | 201.6 | 7.9 | 236.2 | 9.4 | 266.2 | 10.9 |
| | 20 | 118.9 | 4.5 | 144.4 | 5.6 | 168.5 | 6.6 | 201.6 | 8.0 | 236.2 | 9.6 | 263.2 | 11.0 |
| | 25 | 118.9 | 4.7 | 144.4 | 5.7 | 168.5 | 6.7 | 201.6 | 8.2 | 236.2 | 9.9 | 260.2 | 11.1 |
| | 30 | 118.9 | 4.8 | 144.4 | 5.8 | 168.5 | 6.9 | 201.6 | 8.4 | 236.2 | 10.1 | 254.6 | 11.1 |
| | 35 | 118.9 | 4.9 | 144.4 | 6.0 | 168.5 | 7.1 | 201.6 | 8.6 | 236.2 | 10.3 | 249.3 | 11.2 |
| | 40 | 118.9 | 5.0 | 144.4 | 6.1 | 168.5 | 7.2 | 201.6 | 8.8 | 236.2 | 10.6 | 246.1 | 11.3 |
| | 45 | 118.9 | 5.1 | 144.4 | 6.3 | 168.5 | 7.4 | 201.6 | 9.1 | 236.2 | 10.8 | 245.3 | 11.5 |
| | 50 | 118.9 | 5.2 | 144.4 | 6.5 | 168.5 | 7.6 | 201.6 | 9.3 | 236.2 | 11.1 | 244.9 | 11.8 |
| | 55 | 118.9 | 5.4 | 144.4 | 6.6 | 168.5 | 7.8 | 201.6 | 9.5 | 236.2 | 11.4 | 244.9 | 12.1 |
| | 60 | 118.9 | 5.5 | 144.4 | 6.8 | 168.5 | 8.0 | 201.6 | 9.8 | 236.2 | 11.7 | 245.2 | 12.5 |
| | 65 | 118.9 | 5.7 | 144.4 | 7.0 | 168.5 | 8.3 | 201.6 | 10.1 | 236.2 | 12.1 | 245.6 | 12.8 |
| | 70 | 118.9 | 6.2 | 144.4 | 7.6 | 168.5 | 9.0 | 201.6 | 10.9 | 236.2 | 13.1 | 245.8 | 14.0 |
| | 75 | 118.9 | 6.8 | 144.4 | 8.3 | 168.5 | 9.9 | 201.6 | 12.0 | 236.2 | 14.4 | 245.7 | 15.3 |
| | 80 | 118.9 | 7.5 | 144.4 | 9.2 | 168.5 | 10.8 | 201.6 | 13.2 | 235.7 | 15.8 | 244.7 | 16.8 |
| | 85 | 118.9 | 8.2 | 144.4 | 10.1 | 168.5 | 11.9 | 201.6 | 14.5 | 234.2 | 17.2 | 242.6 | 18.2 |
| | 90 | 118.9 | 9.0 | 144.4 | 11.0 | 168.5 | 13.0 | 201.6 | 15.9 | 231.8 | 18.6 | 238.8 | 19.7 |
| | 95 | 118.9 | 9.8 | 144.4 | 12.0 | 168.5 | 14.2 | 201.6 | 17.3 | 220.5 | 19.4 | 223.9 | 20.1 |
| 100 | 118.9 | 10.6 | 144.4 | 13.1 | 168.5 | 15.5 | 201.6 | 18.8 | 211.4 | 20.2 | 215.5 | 21.1 | |
| 105 | 118.9 | 11.5 | 144.4 | 14.1 | 168.5 | 16.7 | 193.2 | 19.5 | 200.0 | 20.6 | 203.9 | 21.5 | |
| 110 | 118.9 | 12.3 | 144.4 | 15.1 | 166.6 | 17.6 | 179.4 | 19.3 | 184.7 | 20.4 | 188.3 | 21.3 | |
| 115 | 118.9 | 13.0 | 142.7 | 15.8 | 154.2 | 17.3 | 160.1 | 18.3 | 164.9 | 19.2 | 168.0 | 20.1 | |
| 118 | 118.9 | 13.4 | 135.1 | 15.4 | 140.5 | 16.2 | 145.9 | 17.1 | 150.2 | 18.0 | 153.1 | 18.8 | |
| 125 | 93.7 | 11.0 | 97.8 | 11.6 | 101.2 | 12.1 | 105.1 | 12.8 | 108.2 | 13.5 | 110.3 | 14.1 | |

NOTE - Power Input = Compressor + Outdoor Fan Motor.
 MBH = 1000 BTUs per hour.

COOLING CAPACITY - TWO MODULE | VRB168L4

| Combination (%) | Outdoor Temperature °F (Dry Bulb) | Indoor Temperature - °F (Dry Bulb / Wet Bulb) | | | | | | | | | | | |
|-----------------|-----------------------------------|---|-------------|------------|-------------|------------|-------------|--------------|-------------|------------|-------------|------------|-------------|
| | | 67 / 57 | | 71 / 60 | | 75 / 63 | | 80 / 67 | | 85 / 71 | | 90 / 75 | |
| | | Total Cap. | Power Input | Total Cap. | Power Input | Total Cap. | Power Input | Total Cap. | Power Input | Total Cap. | Power Input | Total Cap. | Power Input |
| | | MBH | kW | MBH | kW | MBH | kW | MBH | kW | MBH | kW | MBH | kW |
| 110% | -10 | 108.9 | 3.6 | 132.4 | 4.4 | 154.5 | 5.3 | 184.8 | 6.4 | 216.5 | 7.7 | 246.9 | 9.0 |
| | -5 | 108.9 | 3.8 | 132.4 | 4.7 | 154.5 | 5.6 | 184.8 | 6.8 | 216.5 | 8.2 | 246.9 | 9.5 |
| | 10 | 108.9 | 3.9 | 132.4 | 4.8 | 154.5 | 5.7 | 184.8 | 7.0 | 216.5 | 8.3 | 246.9 | 9.7 |
| | 15 | 108.9 | 4.0 | 132.4 | 4.9 | 154.5 | 5.8 | 184.8 | 7.1 | 216.5 | 8.5 | 246.9 | 9.9 |
| | 20 | 108.9 | 4.1 | 132.4 | 5.0 | 154.5 | 6.0 | 184.8 | 7.3 | 216.5 | 8.7 | 246.9 | 10.2 |
| | 25 | 108.9 | 4.2 | 132.4 | 5.2 | 154.5 | 6.1 | 184.8 | 7.4 | 216.5 | 8.9 | 246.9 | 10.4 |
| | 30 | 108.9 | 4.3 | 132.4 | 5.3 | 154.5 | 6.2 | 184.8 | 7.6 | 216.5 | 9.1 | 245.1 | 10.6 |
| | 35 | 108.9 | 4.4 | 132.4 | 5.4 | 154.5 | 6.4 | 184.8 | 7.8 | 216.5 | 9.3 | 242.4 | 10.7 |
| | 40 | 108.9 | 4.5 | 132.4 | 5.5 | 154.5 | 6.5 | 184.8 | 8.0 | 216.5 | 9.5 | 240.8 | 10.9 |
| | 45 | 108.9 | 4.6 | 132.4 | 5.7 | 154.5 | 6.7 | 184.8 | 8.2 | 216.5 | 9.8 | 240.6 | 11.1 |
| | 50 | 108.9 | 4.7 | 132.4 | 5.8 | 154.5 | 6.9 | 184.8 | 8.4 | 216.5 | 10.0 | 240.2 | 11.4 |
| | 55 | 108.9 | 4.9 | 132.4 | 6.0 | 154.5 | 7.1 | 184.8 | 8.6 | 216.5 | 10.3 | 240.2 | 11.7 |
| | 60 | 108.9 | 5.0 | 132.4 | 6.1 | 154.5 | 7.3 | 184.8 | 8.8 | 216.5 | 10.6 | 240.5 | 12.0 |
| | 65 | 108.9 | 5.1 | 132.4 | 6.3 | 154.5 | 7.5 | 184.8 | 9.1 | 216.5 | 10.9 | 240.9 | 12.4 |
| | 70 | 108.9 | 5.6 | 132.4 | 6.9 | 154.5 | 8.1 | 184.8 | 9.9 | 216.5 | 11.8 | 241.1 | 13.5 |
| | 75 | 108.9 | 6.1 | 132.4 | 7.5 | 154.5 | 8.9 | 184.8 | 10.8 | 216.5 | 13.0 | 240.9 | 14.8 |
| | 80 | 108.9 | 6.7 | 132.4 | 8.3 | 154.5 | 9.8 | 184.8 | 11.9 | 216.5 | 14.3 | 240.0 | 16.2 |
| | 85 | 108.9 | 7.4 | 132.4 | 9.1 | 154.5 | 10.7 | 184.8 | 13.1 | 216.5 | 15.7 | 237.9 | 17.6 |
| | 90 | 108.9 | 8.1 | 132.4 | 9.9 | 154.5 | 11.7 | 184.8 | 14.3 | 216.5 | 17.2 | 234.2 | 19.0 |
| | 95 | 108.9 | 8.8 | 132.4 | 10.9 | 154.5 | 12.8 | 184.8 | 15.6 | 216.5 | 18.7 | 223.9 | 19.8 |
| 100 | 108.9 | 9.6 | 132.4 | 11.8 | 154.5 | 13.9 | 184.8 | 17.0 | 209.7 | 19.7 | 215.5 | 20.7 | |
| 105 | 108.9 | 10.4 | 132.4 | 12.8 | 154.5 | 15.1 | 184.8 | 18.4 | 200.0 | 20.3 | 203.9 | 21.2 | |
| 110 | 108.9 | 11.1 | 132.4 | 13.6 | 154.5 | 16.1 | 177.2 | 18.8 | 184.7 | 20.1 | 188.3 | 20.9 | |
| 115 | 108.9 | 11.7 | 132.4 | 14.4 | 149.8 | 16.5 | 160.1 | 18.0 | 164.9 | 18.9 | 168.0 | 19.8 | |
| 118 | 108.9 | 12.1 | 129.9 | 14.6 | 140.5 | 15.9 | 145.9 | 16.8 | 150.2 | 17.7 | 153.1 | 18.5 | |
| 125 | 93.7 | 10.8 | 97.8 | 11.4 | 101.2 | 12.0 | 105.1 | 12.7 | 108.2 | 13.3 | 110.3 | 13.9 | |
| 100% | -10 | 99.0 | 3.2 | 120.4 | 4.0 | 140.4 | 4.7 | 168.0 | 5.7 | 196.8 | 6.9 | 224.4 | 8.0 |
| | -5 | 99.0 | 3.4 | 120.4 | 4.2 | 140.4 | 5.0 | 168.0 | 6.1 | 196.8 | 7.3 | 224.4 | 8.5 |
| | 10 | 99.0 | 3.5 | 120.4 | 4.3 | 140.4 | 5.1 | 168.0 | 6.2 | 196.8 | 7.5 | 224.4 | 8.7 |
| | 15 | 99.0 | 3.6 | 120.4 | 4.4 | 140.4 | 5.2 | 168.0 | 6.4 | 196.8 | 7.6 | 224.4 | 8.9 |
| | 20 | 99.0 | 3.7 | 120.4 | 4.5 | 140.4 | 5.3 | 168.0 | 6.5 | 196.8 | 7.8 | 224.4 | 9.1 |
| | 25 | 99.0 | 3.8 | 120.4 | 4.6 | 140.4 | 5.5 | 168.0 | 6.6 | 196.8 | 8.0 | 224.4 | 9.3 |
| | 30 | 99.0 | 3.8 | 120.4 | 4.7 | 140.4 | 5.6 | 168.0 | 6.8 | 196.8 | 8.2 | 224.4 | 9.5 |
| | 35 | 99.0 | 3.9 | 120.4 | 4.8 | 140.4 | 5.7 | 168.0 | 7.0 | 196.8 | 8.3 | 224.4 | 9.7 |
| | 40 | 99.0 | 4.0 | 120.4 | 5.0 | 140.4 | 5.9 | 168.0 | 7.1 | 196.8 | 8.6 | 224.4 | 10.0 |
| | 45 | 99.0 | 4.1 | 120.4 | 5.1 | 140.4 | 6.0 | 168.0 | 7.3 | 196.8 | 8.8 | 224.4 | 10.2 |
| | 50 | 99.0 | 4.2 | 120.4 | 5.2 | 140.4 | 6.2 | 168.0 | 7.5 | 196.8 | 9.0 | 224.4 | 10.5 |
| | 55 | 99.0 | 4.4 | 120.4 | 5.4 | 140.4 | 6.3 | 168.0 | 7.7 | 196.8 | 9.2 | 224.4 | 10.8 |
| | 60 | 99.0 | 4.5 | 120.4 | 5.5 | 140.4 | 6.5 | 168.0 | 7.9 | 196.8 | 9.5 | 224.4 | 11.1 |
| | 65 | 99.0 | 4.6 | 120.4 | 5.7 | 140.4 | 6.7 | 168.0 | 8.1 | 196.8 | 9.7 | 224.4 | 11.4 |
| | 70 | 99.0 | 5.0 | 120.4 | 6.1 | 140.4 | 7.3 | 168.0 | 8.8 | 196.8 | 10.6 | 224.4 | 12.4 |
| | 75 | 99.0 | 5.5 | 120.4 | 6.7 | 140.4 | 8.0 | 168.0 | 9.7 | 196.8 | 11.6 | 224.4 | 13.6 |
| | 80 | 99.0 | 6.0 | 120.4 | 7.4 | 140.4 | 8.7 | 168.0 | 10.7 | 196.8 | 12.8 | 224.4 | 14.9 |
| | 85 | 99.0 | 6.6 | 120.4 | 8.1 | 140.4 | 9.6 | 168.0 | 11.7 | 196.8 | 14.0 | 224.4 | 16.4 |
| | 90 | 99.0 | 7.2 | 120.4 | 8.9 | 140.4 | 10.5 | 168.0 | 12.8 | 196.8 | 15.4 | 224.1 | 17.9 |
| | 95 | 99.0 | 7.9 | 120.4 | 9.7 | 140.4 | 11.5 | 168.0 | 14.0 | 196.8 | 16.8 | 220.5 | 19.2 |
| 100 | 99.0 | 8.6 | 120.4 | 10.6 | 140.4 | 12.5 | 168.0 | 15.2 | 196.8 | 18.2 | 215.3 | 20.4 | |
| 105 | 99.0 | 9.3 | 120.4 | 11.4 | 140.4 | 13.5 | 168.0 | 16.4 | 194.4 | 19.4 | 203.9 | 20.9 | |
| 110 | 99.0 | 9.9 | 120.4 | 12.2 | 140.4 | 14.4 | 168.0 | 17.6 | 184.7 | 19.8 | 188.3 | 20.6 | |
| 115 | 99.0 | 10.5 | 120.4 | 12.9 | 140.4 | 15.3 | 158.8 | 17.6 | 164.9 | 18.6 | 168.0 | 19.5 | |
| 118 | 99.0 | 10.8 | 120.4 | 13.3 | 135.9 | 15.2 | 145.9 | 16.6 | 150.2 | 17.5 | 153.1 | 18.2 | |
| 125 | 91.8 | 10.4 | 97.8 | 11.2 | 101.2 | 11.8 | 105.1 | 12.5 | 108.2 | 13.1 | 110.3 | 13.7 | |

NOTE - Power Input = Compressor + Outdoor Fan Motor.
MBH = 1000 BTUs per hour.

COOLING CAPACITY - TWO MODULE | VRB168L4

| Combination (%) | Outdoor Temperature °F (Dry Bulb) | Indoor Temperature - °F (Dry Bulb / Wet Bulb) | | | | | | | | | | | |
|-----------------|-----------------------------------|---|-------------|------------|-------------|------------|-------------|------------|-------------|------------|-------------|------------|-------------|
| | | 67 / 57 | | 71 / 60 | | 75 / 63 | | 80 / 67 | | 85 / 71 | | 90 / 75 | |
| | | Total Cap. | Power Input | Total Cap. | Power Input | Total Cap. | Power Input | Total Cap. | Power Input | Total Cap. | Power Input | Total Cap. | Power Input |
| | | MBH | KW | MBH | KW | MBH | KW | MBH | KW | MBH | KW | MBH | KW |
| 90% | -10 | 89.1 | 2.9 | 108.3 | 3.5 | 126.4 | 4.2 | 151.2 | 5.1 | 177.2 | 6.1 | 202.0 | 7.1 |
| | -5 | 89.1 | 3.1 | 108.3 | 3.8 | 126.4 | 4.4 | 151.2 | 5.4 | 177.2 | 6.5 | 202.0 | 7.6 |
| | 10 | 89.1 | 3.1 | 108.3 | 3.8 | 126.4 | 4.5 | 151.2 | 5.5 | 177.2 | 6.6 | 202.0 | 7.7 |
| | 15 | 89.1 | 3.2 | 108.3 | 3.9 | 126.4 | 4.6 | 151.2 | 5.6 | 177.2 | 6.8 | 202.0 | 7.9 |
| | 20 | 89.1 | 3.3 | 108.3 | 4.0 | 126.4 | 4.7 | 151.2 | 5.8 | 177.2 | 6.9 | 202.0 | 8.1 |
| | 25 | 89.1 | 3.3 | 108.3 | 4.1 | 126.4 | 4.8 | 151.2 | 5.9 | 177.2 | 7.1 | 202.0 | 8.2 |
| | 30 | 89.1 | 3.4 | 108.3 | 4.2 | 126.4 | 5.0 | 151.2 | 6.0 | 177.2 | 7.2 | 202.0 | 8.4 |
| | 35 | 89.1 | 3.5 | 108.3 | 4.3 | 126.4 | 5.1 | 151.2 | 6.2 | 177.2 | 7.4 | 202.0 | 8.6 |
| | 40 | 89.1 | 3.6 | 108.3 | 4.4 | 126.4 | 5.2 | 151.2 | 6.3 | 177.2 | 7.6 | 202.0 | 8.9 |
| | 45 | 89.1 | 3.7 | 108.3 | 4.5 | 126.4 | 5.3 | 151.2 | 6.5 | 177.2 | 7.8 | 202.0 | 9.1 |
| | 50 | 89.1 | 3.8 | 108.3 | 4.6 | 126.4 | 5.5 | 151.2 | 6.7 | 177.2 | 8.0 | 202.0 | 9.3 |
| | 55 | 89.1 | 3.9 | 108.3 | 4.7 | 126.4 | 5.6 | 151.2 | 6.8 | 177.2 | 8.2 | 202.0 | 9.6 |
| | 60 | 89.1 | 4.0 | 108.3 | 4.9 | 126.4 | 5.8 | 151.2 | 7.0 | 177.2 | 8.4 | 202.0 | 9.8 |
| | 65 | 89.1 | 4.1 | 108.3 | 5.0 | 126.4 | 5.9 | 151.2 | 7.2 | 177.2 | 8.6 | 202.0 | 10.1 |
| | 70 | 89.1 | 4.4 | 108.3 | 5.5 | 126.4 | 6.4 | 151.2 | 7.8 | 177.2 | 9.4 | 202.0 | 11.0 |
| | 75 | 89.1 | 4.9 | 108.3 | 6.0 | 126.4 | 7.1 | 151.2 | 8.6 | 177.2 | 10.3 | 202.0 | 12.0 |
| | 80 | 89.1 | 5.3 | 108.3 | 6.6 | 126.4 | 7.8 | 151.2 | 9.5 | 177.2 | 11.3 | 202.0 | 13.2 |
| | 85 | 89.1 | 5.9 | 108.3 | 7.2 | 126.4 | 8.5 | 151.2 | 10.4 | 177.2 | 12.4 | 202.0 | 14.5 |
| | 90 | 89.1 | 6.4 | 108.3 | 7.9 | 126.4 | 9.3 | 151.2 | 11.4 | 177.2 | 13.6 | 202.0 | 15.9 |
| | 95 | 89.1 | 7.0 | 108.3 | 8.6 | 126.4 | 10.2 | 151.2 | 12.4 | 177.2 | 14.9 | 202.0 | 17.4 |
| | 100 | 89.1 | 7.6 | 108.3 | 9.4 | 126.4 | 11.1 | 151.2 | 13.5 | 177.2 | 16.2 | 202.0 | 18.9 |
| 105 | 89.1 | 8.2 | 108.3 | 10.1 | 126.4 | 12.0 | 151.2 | 14.6 | 177.2 | 17.5 | 198.7 | 20.0 | |
| 110 | 89.1 | 8.8 | 108.3 | 10.8 | 126.4 | 12.8 | 151.2 | 15.6 | 176.9 | 18.7 | 188.3 | 20.3 | |
| 115 | 89.1 | 9.3 | 108.3 | 11.5 | 126.4 | 13.5 | 151.2 | 16.5 | 164.9 | 18.4 | 168.0 | 19.2 | |
| 118 | 89.1 | 9.6 | 108.3 | 11.8 | 126.4 | 13.9 | 143.4 | 16.1 | 150.2 | 17.2 | 153.1 | 18.0 | |
| 125 | 87.6 | 9.8 | 97.8 | 11.1 | 101.2 | 11.6 | 105.1 | 12.3 | 108.2 | 12.9 | 110.3 | 13.5 | |
| 80% | -10 | 79.2 | 2.5 | 96.3 | 3.1 | 112.3 | 3.7 | 134.4 | 4.5 | 157.5 | 5.3 | 179.5 | 6.2 |
| | -5 | 79.2 | 2.7 | 96.3 | 3.3 | 112.3 | 3.9 | 134.4 | 4.7 | 157.5 | 5.7 | 179.5 | 6.6 |
| | 10 | 79.2 | 2.7 | 96.3 | 3.4 | 112.3 | 4.0 | 134.4 | 4.8 | 157.5 | 5.8 | 179.5 | 6.8 |
| | 15 | 79.2 | 2.8 | 96.3 | 3.4 | 112.3 | 4.1 | 134.4 | 4.9 | 157.5 | 5.9 | 179.5 | 6.9 |
| | 20 | 79.2 | 2.9 | 96.3 | 3.5 | 112.3 | 4.1 | 134.4 | 5.0 | 157.5 | 6.0 | 179.5 | 7.1 |
| | 25 | 79.2 | 2.9 | 96.3 | 3.6 | 112.3 | 4.2 | 134.4 | 5.2 | 157.5 | 6.2 | 179.5 | 7.2 |
| | 30 | 79.2 | 3.0 | 96.3 | 3.7 | 112.3 | 4.3 | 134.4 | 5.3 | 157.5 | 6.3 | 179.5 | 7.4 |
| | 35 | 79.2 | 3.1 | 96.3 | 3.8 | 112.3 | 4.4 | 134.4 | 5.4 | 157.5 | 6.5 | 179.5 | 7.6 |
| | 40 | 79.2 | 3.1 | 96.3 | 3.9 | 112.3 | 4.5 | 134.4 | 5.5 | 157.5 | 6.6 | 179.5 | 7.8 |
| | 45 | 79.2 | 3.2 | 96.3 | 3.9 | 112.3 | 4.7 | 134.4 | 5.7 | 157.5 | 6.8 | 179.5 | 7.9 |
| | 50 | 79.2 | 3.3 | 96.3 | 4.1 | 112.3 | 4.8 | 134.4 | 5.8 | 157.5 | 7.0 | 179.5 | 8.2 |
| | 55 | 79.2 | 3.4 | 96.3 | 4.2 | 112.3 | 4.9 | 134.4 | 6.0 | 157.5 | 7.2 | 179.5 | 8.4 |
| | 60 | 79.2 | 3.5 | 96.3 | 4.3 | 112.3 | 5.0 | 134.4 | 6.1 | 157.5 | 7.4 | 179.5 | 8.6 |
| | 65 | 79.2 | 3.6 | 96.3 | 4.4 | 112.3 | 5.2 | 134.4 | 6.3 | 157.5 | 7.6 | 179.5 | 8.8 |
| | 70 | 79.2 | 3.9 | 96.3 | 4.8 | 112.3 | 5.6 | 134.4 | 6.9 | 157.5 | 8.2 | 179.5 | 9.6 |
| | 75 | 79.2 | 4.3 | 96.3 | 5.2 | 112.3 | 6.2 | 134.4 | 7.5 | 157.5 | 9.0 | 179.5 | 10.6 |
| | 80 | 79.2 | 4.7 | 96.3 | 5.8 | 112.3 | 6.8 | 134.4 | 8.3 | 157.5 | 9.9 | 179.5 | 11.6 |
| | 85 | 79.2 | 5.1 | 96.3 | 6.3 | 112.3 | 7.5 | 134.4 | 9.1 | 157.5 | 10.9 | 179.5 | 12.7 |
| | 90 | 79.2 | 5.6 | 96.3 | 6.9 | 112.3 | 8.2 | 134.4 | 10.0 | 157.5 | 11.9 | 179.5 | 13.9 |
| | 95 | 79.2 | 6.1 | 96.3 | 7.6 | 112.3 | 8.9 | 134.4 | 10.9 | 157.5 | 13.0 | 179.5 | 15.2 |
| | 100 | 79.2 | 6.7 | 96.3 | 8.2 | 112.3 | 9.7 | 134.4 | 11.8 | 157.5 | 14.2 | 179.5 | 16.5 |
| 105 | 79.2 | 7.2 | 96.3 | 8.9 | 112.3 | 10.5 | 134.4 | 12.8 | 157.5 | 15.3 | 179.5 | 17.9 | |
| 110 | 79.2 | 7.7 | 96.3 | 9.5 | 112.3 | 11.2 | 134.4 | 13.7 | 157.5 | 16.4 | 179.5 | 19.1 | |
| 115 | 79.2 | 8.2 | 96.3 | 10.0 | 112.3 | 11.9 | 134.4 | 14.5 | 156.9 | 17.2 | 168.0 | 18.9 | |
| 118 | 79.2 | 8.4 | 96.3 | 10.3 | 112.3 | 12.2 | 134.4 | 14.9 | 148.4 | 16.8 | 153.1 | 17.7 | |
| 125 | 79.2 | 8.8 | 92.8 | 10.4 | 101.2 | 11.4 | 105.1 | 12.1 | 108.2 | 12.7 | 110.3 | 13.3 | |

NOTE - Power Input = Compressor + Outdoor Fan Motor.
MBH = 1000 BTUs per hour.

COOLING CAPACITY - TWO MODULE | VRB168L4

| Combination (%) | Outdoor Temperature °F (Dry Bulb) | Indoor Temperature - °F (Dry Bulb / Wet Bulb) | | | | | | | | | | | |
|-----------------|-----------------------------------|---|-------------|------------|-------------|------------|-------------|------------|-------------|------------|-------------|------------|-------------|
| | | 67 / 57 | | 71 / 60 | | 75 / 63 | | 80 / 67 | | 85 / 71 | | 90 / 75 | |
| | | Total Cap. | Power Input | Total Cap. | Power Input | Total Cap. | Power Input | Total Cap. | Power Input | Total Cap. | Power Input | Total Cap. | Power Input |
| | | MBH | kW | MBH | kW | MBH | kW | MBH | kW | MBH | kW | MBH | kW |
| 70% | -10 | 69.3 | 2.2 | 84.3 | 2.7 | 98.3 | 3.2 | 117.6 | 3.8 | 137.8 | 4.6 | 157.1 | 5.4 |
| | -5 | 69.3 | 2.3 | 84.3 | 2.8 | 98.3 | 3.3 | 117.6 | 4.1 | 137.8 | 4.9 | 157.1 | 5.7 |
| | 10 | 69.3 | 2.4 | 84.3 | 2.9 | 98.3 | 3.4 | 117.6 | 4.2 | 137.8 | 5.0 | 157.1 | 5.8 |
| | 15 | 69.3 | 2.4 | 84.3 | 3.0 | 98.3 | 3.5 | 117.6 | 4.3 | 137.8 | 5.1 | 157.1 | 6.0 |
| | 20 | 69.3 | 2.5 | 84.3 | 3.0 | 98.3 | 3.6 | 117.6 | 4.4 | 137.8 | 5.2 | 157.1 | 6.1 |
| | 25 | 69.3 | 2.5 | 84.3 | 3.1 | 98.3 | 3.7 | 117.6 | 4.5 | 137.8 | 5.3 | 157.1 | 6.2 |
| | 30 | 69.3 | 2.6 | 84.3 | 3.2 | 98.3 | 3.7 | 117.6 | 4.6 | 137.8 | 5.5 | 157.1 | 6.4 |
| | 35 | 69.3 | 2.6 | 84.3 | 3.2 | 98.3 | 3.8 | 117.6 | 4.7 | 137.8 | 5.6 | 157.1 | 6.5 |
| | 40 | 69.3 | 2.7 | 84.3 | 3.3 | 98.3 | 3.9 | 117.6 | 4.8 | 137.8 | 5.7 | 157.1 | 6.7 |
| | 45 | 69.3 | 2.8 | 84.3 | 3.4 | 98.3 | 4.0 | 117.6 | 4.9 | 137.8 | 5.9 | 157.1 | 6.9 |
| | 50 | 69.3 | 2.8 | 84.3 | 3.5 | 98.3 | 4.1 | 117.6 | 5.0 | 137.8 | 6.0 | 157.1 | 7.0 |
| | 55 | 69.3 | 2.9 | 84.3 | 3.6 | 98.3 | 4.2 | 117.6 | 5.2 | 137.8 | 6.2 | 157.1 | 7.2 |
| | 60 | 69.3 | 3.0 | 84.3 | 3.7 | 98.3 | 4.3 | 117.6 | 5.3 | 137.8 | 6.4 | 157.1 | 7.4 |
| | 65 | 69.3 | 3.1 | 84.3 | 3.8 | 98.3 | 4.5 | 117.6 | 5.4 | 137.8 | 6.5 | 157.1 | 7.6 |
| | 70 | 69.3 | 3.4 | 84.3 | 4.1 | 98.3 | 4.9 | 117.6 | 5.9 | 137.8 | 7.1 | 157.1 | 8.3 |
| | 75 | 69.3 | 3.7 | 84.3 | 4.5 | 98.3 | 5.3 | 117.6 | 6.5 | 137.8 | 7.8 | 157.1 | 9.1 |
| | 80 | 69.3 | 4.0 | 84.3 | 5.0 | 98.3 | 5.9 | 117.6 | 7.1 | 137.8 | 8.6 | 157.1 | 10.0 |
| | 85 | 69.3 | 4.4 | 84.3 | 5.4 | 98.3 | 6.4 | 117.6 | 7.8 | 137.8 | 9.4 | 157.1 | 11.0 |
| | 90 | 69.3 | 4.9 | 84.3 | 6.0 | 98.3 | 7.0 | 117.6 | 8.6 | 137.8 | 10.3 | 157.1 | 12.0 |
| | 95 | 69.3 | 5.3 | 84.3 | 6.5 | 98.3 | 7.7 | 117.6 | 9.4 | 137.8 | 11.2 | 157.1 | 13.1 |
| 100 | 69.3 | 5.8 | 84.3 | 7.1 | 98.3 | 8.4 | 117.6 | 10.2 | 137.8 | 12.2 | 157.1 | 14.3 | |
| 105 | 69.3 | 6.2 | 84.3 | 7.7 | 98.3 | 9.0 | 117.6 | 11.0 | 137.8 | 13.2 | 157.1 | 15.4 | |
| 110 | 69.3 | 6.7 | 84.3 | 8.2 | 98.3 | 9.7 | 117.6 | 11.8 | 137.8 | 14.1 | 157.1 | 16.5 | |
| 115 | 69.3 | 7.0 | 84.3 | 8.7 | 98.3 | 10.2 | 117.6 | 12.5 | 137.8 | 14.9 | 157.1 | 17.4 | |
| 118 | 69.3 | 7.2 | 84.3 | 8.9 | 98.3 | 10.5 | 117.6 | 12.8 | 137.8 | 15.4 | 149.8 | 17.1 | |
| 125 | 69.3 | 7.6 | 84.3 | 9.3 | 95.5 | 10.6 | 105.1 | 11.9 | 108.2 | 12.6 | 110.3 | 13.1 | |
| 60% | -10 | 59.4 | 1.8 | 72.2 | 2.3 | 84.3 | 2.7 | 100.8 | 3.2 | 118.1 | 3.9 | 134.7 | 4.5 |
| | -5 | 59.4 | 1.9 | 72.2 | 2.4 | 84.3 | 2.8 | 100.8 | 3.4 | 118.1 | 4.1 | 134.7 | 4.8 |
| | 10 | 59.4 | 2.0 | 72.2 | 2.4 | 84.3 | 2.9 | 100.8 | 3.5 | 118.1 | 4.2 | 134.7 | 4.9 |
| | 15 | 59.4 | 2.0 | 72.2 | 2.5 | 84.3 | 3.0 | 100.8 | 3.6 | 118.1 | 4.3 | 134.7 | 5.0 |
| | 20 | 59.4 | 2.1 | 72.2 | 2.6 | 84.3 | 3.0 | 100.8 | 3.7 | 118.1 | 4.4 | 134.7 | 5.1 |
| | 25 | 59.4 | 2.1 | 72.2 | 2.6 | 84.3 | 3.1 | 100.8 | 3.8 | 118.1 | 4.5 | 134.7 | 5.3 |
| | 30 | 59.4 | 2.2 | 72.2 | 2.7 | 84.3 | 3.2 | 100.8 | 3.9 | 118.1 | 4.6 | 134.7 | 5.4 |
| | 35 | 59.4 | 2.2 | 72.2 | 2.7 | 84.3 | 3.2 | 100.8 | 3.9 | 118.1 | 4.7 | 134.7 | 5.5 |
| | 40 | 59.4 | 2.3 | 72.2 | 2.8 | 84.3 | 3.3 | 100.8 | 4.0 | 118.1 | 4.8 | 134.7 | 5.7 |
| | 45 | 59.4 | 2.3 | 72.2 | 2.9 | 84.3 | 3.4 | 100.8 | 4.1 | 118.1 | 5.0 | 134.7 | 5.8 |
| | 50 | 59.4 | 2.4 | 72.2 | 3.0 | 84.3 | 3.5 | 100.8 | 4.2 | 118.1 | 5.1 | 134.7 | 5.9 |
| | 55 | 59.4 | 2.5 | 72.2 | 3.0 | 84.3 | 3.6 | 100.8 | 4.4 | 118.1 | 5.2 | 134.7 | 6.1 |
| | 60 | 59.4 | 2.5 | 72.2 | 3.1 | 84.3 | 3.7 | 100.8 | 4.5 | 118.1 | 5.4 | 134.7 | 6.3 |
| | 65 | 59.4 | 2.6 | 72.2 | 3.2 | 84.3 | 3.8 | 100.8 | 4.6 | 118.1 | 5.5 | 134.7 | 6.4 |
| | 70 | 59.4 | 2.8 | 72.2 | 3.5 | 84.3 | 4.1 | 100.8 | 5.0 | 118.1 | 6.0 | 134.7 | 7.0 |
| | 75 | 59.4 | 3.1 | 72.2 | 3.8 | 84.3 | 4.5 | 100.8 | 5.5 | 118.1 | 6.6 | 134.7 | 7.7 |
| | 80 | 59.4 | 3.4 | 72.2 | 4.2 | 84.3 | 5.0 | 100.8 | 6.0 | 118.1 | 7.2 | 134.7 | 8.4 |
| | 85 | 59.4 | 3.7 | 72.2 | 4.6 | 84.3 | 5.4 | 100.8 | 6.6 | 118.1 | 7.9 | 134.7 | 9.3 |
| | 90 | 59.4 | 4.1 | 72.2 | 5.0 | 84.3 | 6.0 | 100.8 | 7.3 | 118.1 | 8.7 | 134.7 | 10.2 |
| | 95 | 59.4 | 4.5 | 72.2 | 5.5 | 84.3 | 6.5 | 100.8 | 7.9 | 118.1 | 9.5 | 134.7 | 11.1 |
| 100 | 59.4 | 4.9 | 72.2 | 6.0 | 84.3 | 7.1 | 100.8 | 8.6 | 118.1 | 10.3 | 134.7 | 12.1 | |
| 105 | 59.4 | 5.3 | 72.2 | 6.5 | 84.3 | 7.6 | 100.8 | 9.3 | 118.1 | 11.1 | 134.7 | 13.0 | |
| 110 | 59.4 | 5.6 | 72.2 | 6.9 | 84.3 | 8.2 | 100.8 | 10.0 | 118.1 | 11.9 | 134.7 | 13.9 | |
| 115 | 59.4 | 6.0 | 72.2 | 7.3 | 84.3 | 8.6 | 100.8 | 10.5 | 118.1 | 12.6 | 134.7 | 14.7 | |
| 118 | 59.4 | 6.1 | 72.2 | 7.5 | 84.3 | 8.9 | 100.8 | 10.8 | 118.1 | 13.0 | 134.7 | 15.1 | |
| 125 | 59.4 | 6.4 | 72.2 | 7.8 | 84.3 | 9.3 | 98.6 | 11.0 | 107.7 | 12.3 | 110.3 | 12.9 | |

NOTE - Power Input = Compressor + Outdoor Fan Motor.
 MBH = 1000 BTUs per hour.

COOLING CAPACITY - TWO MODULE | VRB168L4

| Combination (%) | Outdoor Temperature °F (Dry Bulb) | Indoor Temperature - °F (Dry Bulb / Wet Bulb) | | | | | | | | | | | |
|-----------------|-----------------------------------|---|-------------|------------|-------------|------------|-------------|------------|-------------|------------|-------------|------------|-------------|
| | | 67 / 57 | | 71 / 60 | | 75 / 63 | | 80 / 67 | | 85 / 71 | | 90 / 75 | |
| | | Total Cap. | Power Input | Total Cap. | Power Input | Total Cap. | Power Input | Total Cap. | Power Input | Total Cap. | Power Input | Total Cap. | Power Input |
| | | MBH | kW | MBH | kW | MBH | kW | MBH | kW | MBH | kW | MBH | kW |
| 50% | -10 | 48.5 | 1.5 | 60.2 | 1.9 | 70.2 | 2.2 | 84.0 | 2.7 | 98.4 | 3.2 | 112.2 | 3.7 |
| | -5 | 49.5 | 1.6 | 60.2 | 2.0 | 70.2 | 2.3 | 84.0 | 2.8 | 98.4 | 3.4 | 112.2 | 4.0 |
| | 10 | 49.5 | 1.6 | 60.2 | 2.0 | 70.2 | 2.4 | 84.0 | 2.9 | 98.4 | 3.5 | 112.2 | 4.0 |
| | 15 | 49.5 | 1.7 | 60.2 | 2.1 | 70.2 | 2.4 | 84.0 | 3.0 | 98.4 | 3.5 | 112.2 | 4.1 |
| | 20 | 49.5 | 1.7 | 60.2 | 2.1 | 70.2 | 2.5 | 84.0 | 3.0 | 98.4 | 3.6 | 112.2 | 4.2 |
| | 25 | 49.5 | 1.7 | 60.2 | 2.1 | 70.2 | 2.5 | 84.0 | 3.1 | 98.4 | 3.7 | 112.2 | 4.3 |
| | 30 | 49.5 | 1.8 | 60.2 | 2.2 | 70.2 | 2.6 | 84.0 | 3.2 | 98.4 | 3.8 | 112.2 | 4.4 |
| | 35 | 49.5 | 1.8 | 60.2 | 2.3 | 70.2 | 2.7 | 84.0 | 3.2 | 98.4 | 3.9 | 112.2 | 4.5 |
| | 40 | 49.5 | 1.9 | 60.2 | 2.3 | 70.2 | 2.7 | 84.0 | 3.3 | 98.4 | 4.0 | 112.2 | 4.6 |
| | 45 | 49.5 | 1.9 | 60.2 | 2.4 | 70.2 | 2.8 | 84.0 | 3.4 | 98.4 | 4.1 | 112.2 | 4.8 |
| | 50 | 49.5 | 2.0 | 60.2 | 2.4 | 70.2 | 2.9 | 84.0 | 3.5 | 98.4 | 4.2 | 112.2 | 4.9 |
| | 55 | 49.5 | 2.0 | 60.2 | 2.5 | 70.2 | 2.9 | 84.0 | 3.6 | 98.4 | 4.3 | 112.2 | 5.0 |
| | 60 | 49.5 | 2.1 | 60.2 | 2.6 | 70.2 | 3.0 | 84.0 | 3.7 | 98.4 | 4.4 | 112.2 | 5.1 |
| | 65 | 49.5 | 2.1 | 60.2 | 2.6 | 70.2 | 3.1 | 84.0 | 3.8 | 98.4 | 4.5 | 112.2 | 5.3 |
| | 70 | 49.5 | 2.3 | 60.2 | 2.9 | 70.2 | 3.4 | 84.0 | 4.1 | 98.4 | 4.9 | 112.2 | 5.8 |
| | 75 | 49.5 | 2.6 | 60.2 | 3.1 | 70.2 | 3.7 | 84.0 | 4.5 | 98.4 | 5.4 | 112.2 | 6.3 |
| | 80 | 49.5 | 2.8 | 60.2 | 3.4 | 70.2 | 4.1 | 84.0 | 5.0 | 98.4 | 5.9 | 112.2 | 6.9 |
| | 85 | 49.5 | 3.1 | 60.2 | 3.8 | 70.2 | 4.5 | 84.0 | 5.4 | 98.4 | 6.5 | 112.2 | 7.6 |
| | 90 | 49.5 | 3.4 | 60.2 | 4.1 | 70.2 | 4.9 | 84.0 | 6.0 | 98.4 | 7.1 | 112.2 | 8.3 |
| | 95 | 49.5 | 3.7 | 60.2 | 4.5 | 70.2 | 5.3 | 84.0 | 6.5 | 98.4 | 7.8 | 112.2 | 9.1 |
| 100 | 49.5 | 4.0 | 60.2 | 4.9 | 70.2 | 5.8 | 84.0 | 7.1 | 98.4 | 8.5 | 112.2 | 9.9 | |
| 105 | 49.5 | 4.3 | 60.2 | 5.3 | 70.2 | 6.3 | 84.0 | 7.6 | 98.4 | 9.2 | 112.2 | 10.7 | |
| 110 | 49.5 | 4.6 | 60.2 | 5.7 | 70.2 | 6.7 | 84.0 | 8.2 | 98.4 | 9.8 | 112.2 | 11.4 | |
| 115 | 49.5 | 4.9 | 60.2 | 6.0 | 70.2 | 7.1 | 84.0 | 8.7 | 98.4 | 10.4 | 112.2 | 12.1 | |
| 118 | 49.5 | 5.0 | 60.2 | 6.2 | 70.2 | 7.3 | 84.0 | 8.9 | 98.4 | 10.7 | 112.2 | 12.4 | |
| 125 | 49.5 | 5.2 | 60.2 | 6.5 | 70.2 | 7.6 | 84.0 | 9.3 | 98.4 | 11.1 | 106.2 | 12.3 | |

NOTE - Power Input = Compressor + Outdoor Fan Motor.
 MBH = 1000 BTUs per hour.

HEATING CAPACITY - TWO MODULE | VRB168L4

| Combination (%) | Outdoor Temperature (°F) | | Indoor Temperature - °F Dry Bulb | | | | | | | | | | | |
|-----------------|--------------------------|----------|----------------------------------|----------------|----------------|----------------|----------------|----------------|----------------|----------------|----------------|----------------|----------------|----------------|
| | | | 61 | | 64 | | 67 | | 70 | | 73 | | 75 | |
| | Dry Bulb | Wet Bulb | Total Cap. MBH | Power Input kW | Total Cap. MBH | Power Input kW | Total Cap. MBH | Power Input kW | Total Cap. MBH | Power Input kW | Total Cap. MBH | Power Input kW | Total Cap. MBH | Power Input kW |
| 130% | -22 | -23 | 125.4 | 21.7 | 122.7 | 22.2 | 120.4 | 22.7 | 118.1 | 23.3 | 116.0 | 23.9 | 114.7 | 24.2 |
| | -17 | -18 | 153.4 | 22.5 | 150.2 | 23.1 | 147.3 | 23.6 | 144.6 | 24.2 | 142.0 | 24.8 | 140.5 | 25.2 |
| | -13 | -14 | 179.0 | 23.0 | 175.2 | 23.6 | 172.0 | 24.1 | 168.8 | 24.7 | 166.0 | 25.3 | 164.3 | 25.7 |
| | -8 | -9 | 188.8 | 23.4 | 185.3 | 24.0 | 182.4 | 24.5 | 179.5 | 25.2 | 176.9 | 25.8 | 175.4 | 26.2 |
| | -3 | -4 | 195.9 | 23.7 | 192.9 | 24.3 | 190.3 | 24.9 | 187.8 | 25.6 | 185.6 | 26.3 | 184.3 | 26.7 |
| | 2 | 1 | 202.0 | 24.8 | 199.3 | 25.4 | 196.9 | 26.0 | 194.7 | 26.7 | 192.7 | 27.4 | 191.5 | 27.9 |
| | 7 | 6 | 209.8 | 25.0 | 207.3 | 25.7 | 205.2 | 26.3 | 203.1 | 27.0 | 201.3 | 27.8 | 200.2 | 28.3 |
| | 12 | 10 | 217.5 | 25.3 | 215.1 | 26.0 | 213.2 | 26.6 | 211.2 | 27.4 | 209.5 | 28.1 | 208.5 | 28.6 |
| | 17 | 15 | 229.0 | 25.8 | 226.9 | 26.5 | 225.0 | 27.1 | 223.2 | 27.9 | 221.6 | 28.7 | 220.1 | 28.4 |
| | 22 | 20 | 241.8 | 26.3 | 239.8 | 27.0 | 238.0 | 27.7 | 236.3 | 28.5 | 230.2 | 27.3 | 220.1 | 25.5 |
| | 27 | 24 | 253.8 | 26.8 | 251.8 | 27.5 | 250.0 | 28.3 | 245.7 | 27.5 | 230.2 | 24.9 | 220.1 | 23.3 |
| | 32 | 29 | 268.9 | 27.5 | 266.9 | 28.3 | 261.2 | 27.1 | 245.7 | 24.7 | 230.2 | 22.3 | 220.1 | 20.8 |
| | 37 | 34 | 287.2 | 28.4 | 275.8 | 26.3 | 261.2 | 24.2 | 245.7 | 22.0 | 230.2 | 19.9 | 220.1 | 18.7 |
| | 42 | 38 | 291.4 | 26.2 | 275.8 | 24.1 | 261.2 | 22.1 | 245.7 | 20.1 | 230.2 | 18.4 | 220.1 | 17.3 |
| | 47 | 43 | 291.4 | 23.4 | 275.8 | 21.5 | 261.2 | 19.8 | 245.7 | 18.2 | 230.2 | 16.7 | 220.1 | 15.9 |
| | 52 | 47 | 291.4 | 21.5 | 275.8 | 19.8 | 261.2 | 18.3 | 245.7 | 16.9 | 230.2 | 15.6 | 220.1 | 14.8 |
| | 57 | 52 | 291.4 | 19.3 | 275.8 | 17.8 | 261.2 | 16.6 | 245.7 | 15.4 | 230.2 | 14.2 | 220.1 | 13.5 |
| | 62 | 56 | 291.4 | 17.8 | 275.8 | 16.5 | 261.2 | 15.4 | 245.7 | 14.3 | 230.2 | 13.2 | 220.1 | 12.5 |
| | 67 | 61 | 291.4 | 16.1 | 275.8 | 15.0 | 261.2 | 13.9 | 245.7 | 12.9 | 230.2 | 11.9 | 220.1 | 11.4 |
| | 72 | 66 | 291.4 | 14.5 | 275.8 | 13.5 | 261.2 | 12.6 | 245.7 | 11.7 | 230.2 | 10.9 | 220.1 | 10.4 |
| 75 | 69 | 291.4 | 13.6 | 275.8 | 12.7 | 261.2 | 11.8 | 245.7 | 11.0 | 230.2 | 10.3 | 220.1 | 9.8 | |
| 80 | 74 | 291.4 | 12.3 | 275.8 | 11.4 | 261.2 | 10.7 | 245.7 | 10.1 | 230.2 | 9.4 | 220.1 | 9.0 | |
| 120% | -22 | -23 | 123.6 | 22.0 | 121.1 | 22.5 | 118.8 | 23.0 | 116.7 | 23.5 | 114.6 | 24.1 | 113.4 | 24.5 |
| | -17 | -18 | 150.8 | 22.8 | 147.7 | 23.4 | 145.1 | 23.9 | 142.5 | 24.5 | 140.1 | 25.1 | 138.7 | 25.5 |
| | -13 | -14 | 175.7 | 23.4 | 172.2 | 23.9 | 169.2 | 24.5 | 166.2 | 25.1 | 163.6 | 25.7 | 162.0 | 26.1 |
| | -8 | -9 | 185.5 | 23.8 | 182.3 | 24.4 | 179.6 | 25.0 | 177.0 | 25.6 | 174.6 | 26.2 | 173.3 | 26.7 |
| | -3 | -4 | 192.9 | 24.2 | 190.1 | 24.8 | 187.7 | 25.4 | 185.4 | 26.1 | 183.5 | 26.8 | 182.3 | 27.2 |
| | 2 | 1 | 199.1 | 25.3 | 196.6 | 25.9 | 194.5 | 26.5 | 192.4 | 27.2 | 190.7 | 28.0 | 189.6 | 28.5 |
| | 7 | 6 | 207.0 | 25.6 | 204.8 | 26.2 | 202.8 | 26.9 | 201.0 | 27.6 | 199.4 | 28.4 | 200.8 | 29.2 |
| | 12 | 10 | 214.8 | 25.9 | 212.7 | 26.6 | 210.9 | 27.2 | 209.2 | 28.0 | 210.0 | 29.1 | 203.2 | 27.7 |
| | 17 | 15 | 226.4 | 26.4 | 224.5 | 27.1 | 222.8 | 27.8 | 221.2 | 28.5 | 212.5 | 26.7 | 203.2 | 25.0 |
| | 22 | 20 | 239.2 | 27.0 | 237.3 | 27.7 | 235.7 | 28.4 | 226.8 | 26.5 | 212.5 | 24.0 | 203.2 | 22.5 |
| | 27 | 24 | 251.1 | 27.5 | 251.4 | 28.5 | 241.1 | 26.5 | 226.8 | 24.1 | 212.5 | 21.9 | 203.2 | 20.4 |
| | 32 | 29 | 269.0 | 28.1 | 254.6 | 25.7 | 241.1 | 23.7 | 226.8 | 21.6 | 212.5 | 19.5 | 203.2 | 18.4 |
| | 37 | 34 | 269.0 | 25.0 | 254.6 | 23.0 | 241.1 | 21.1 | 226.8 | 19.3 | 212.5 | 17.7 | 203.2 | 16.7 |
| | 42 | 38 | 269.0 | 22.8 | 254.6 | 21.0 | 241.1 | 19.4 | 226.8 | 17.8 | 212.5 | 16.5 | 203.2 | 15.7 |
| | 47 | 43 | 269.0 | 20.4 | 254.6 | 18.8 | 241.1 | 17.5 | 226.8 | 16.3 | 212.5 | 15.1 | 203.2 | 14.3 |
| | 52 | 47 | 269.0 | 18.7 | 254.6 | 17.4 | 241.1 | 16.3 | 226.8 | 15.2 | 212.5 | 14.0 | 203.2 | 13.3 |
| | 57 | 52 | 269.0 | 17.0 | 254.6 | 15.8 | 241.1 | 14.8 | 226.8 | 13.8 | 212.5 | 12.8 | 203.2 | 12.1 |
| | 62 | 56 | 269.0 | 15.7 | 254.6 | 14.7 | 241.1 | 13.7 | 226.8 | 12.8 | 212.5 | 11.9 | 203.2 | 11.3 |
| | 67 | 61 | 269.0 | 14.2 | 254.6 | 13.3 | 241.1 | 12.4 | 226.8 | 11.6 | 212.5 | 10.8 | 203.2 | 10.3 |
| | 72 | 66 | 269.0 | 12.8 | 254.6 | 12.0 | 241.1 | 11.3 | 226.8 | 10.6 | 212.5 | 9.9 | 203.2 | 9.5 |
| 75 | 69 | 269.0 | 12.0 | 254.6 | 11.3 | 241.1 | 10.6 | 226.8 | 10.0 | 212.5 | 9.3 | 203.2 | 9.0 | |
| 80 | 74 | 269.0 | 10.9 | 254.6 | 10.3 | 241.1 | 9.7 | 226.8 | 9.1 | 212.5 | 8.6 | 203.2 | 8.2 | |

NOTE - Power Input = Compressor + Outdoor Fan Motor.
 MBH = 1000 BTUs per hour.

HEATING CAPACITY - TWO MODULE | VRB168L4

| Combination (%) | Outdoor Temperature (°F) | | Indoor Temperature - °F Dry Bulb | | | | | | | | | | | |
|-----------------|--------------------------|----------|----------------------------------|----------------|----------------|----------------|----------------|----------------|----------------|----------------|----------------|----------------|----------------|----------------|
| | | | 61 | | 64 | | 67 | | 70 | | 73 | | 75 | |
| | Dry Bulb | Wet Bulb | Total Cap. MBH | Power Input kW | Total Cap. MBH | Power Input kW | Total Cap. MBH | Power Input kW | Total Cap. MBH | Power Input kW | Total Cap. MBH | Power Input kW | Total Cap. MBH | Power Input kW |
| 110% | -22 | -23 | 121.6 | 22.2 | 119.3 | 22.8 | 117.2 | 23.3 | 115.1 | 23.8 | 113.2 | 24.4 | 112.1 | 24.8 |
| | -17 | -18 | 148.0 | 23.2 | 145.2 | 23.7 | 142.7 | 24.3 | 140.3 | 24.9 | 138.1 | 25.5 | 136.7 | 25.9 |
| | -13 | -14 | 172.2 | 23.8 | 169.0 | 24.4 | 166.2 | 24.9 | 163.6 | 25.5 | 161.2 | 26.1 | 159.8 | 26.6 |
| | -8 | -9 | 182.1 | 24.3 | 179.2 | 24.9 | 176.8 | 25.5 | 174.4 | 26.1 | 172.4 | 26.8 | 171.2 | 27.2 |
| | -3 | -4 | 189.7 | 24.7 | 187.2 | 25.4 | 185.1 | 26.0 | 183.1 | 26.6 | 181.4 | 27.3 | 180.4 | 27.8 |
| | 2 | 1 | 196.1 | 25.8 | 193.9 | 26.5 | 192.0 | 27.2 | 190.2 | 27.9 | 188.7 | 28.7 | 186.3 | 28.3 |
| | 7 | 6 | 204.2 | 26.2 | 202.2 | 26.9 | 200.5 | 27.6 | 198.9 | 28.3 | 194.8 | 27.8 | 186.3 | 26.2 |
| | 12 | 10 | 212.1 | 26.6 | 210.2 | 27.3 | 208.6 | 28.0 | 207.9 | 28.4 | 194.8 | 25.9 | 186.3 | 24.4 |
| | 17 | 15 | 223.8 | 27.1 | 222.0 | 27.8 | 221.0 | 28.0 | 207.9 | 25.6 | 194.8 | 23.3 | 186.3 | 21.8 |
| | 22 | 20 | 236.6 | 27.8 | 233.4 | 27.3 | 221.0 | 25.2 | 207.9 | 23.0 | 194.8 | 20.9 | 186.3 | 19.5 |
| | 27 | 24 | 246.5 | 27.0 | 233.4 | 24.9 | 221.0 | 23.0 | 207.9 | 20.9 | 194.8 | 18.9 | 186.3 | 17.9 |
| | 32 | 29 | 246.5 | 24.2 | 233.4 | 22.3 | 221.0 | 20.5 | 207.9 | 18.7 | 194.8 | 17.3 | 186.3 | 16.4 |
| | 37 | 34 | 246.5 | 21.6 | 233.4 | 19.8 | 221.0 | 18.3 | 207.9 | 17.0 | 194.8 | 15.8 | 186.3 | 15.1 |
| | 42 | 38 | 246.5 | 19.7 | 233.4 | 18.2 | 221.0 | 17.0 | 207.9 | 15.9 | 194.8 | 14.8 | 186.3 | 14.1 |
| | 47 | 43 | 246.5 | 17.7 | 233.4 | 16.6 | 221.0 | 15.6 | 207.9 | 14.5 | 194.8 | 13.5 | 186.3 | 12.8 |
| | 52 | 47 | 246.5 | 16.4 | 233.4 | 15.4 | 221.0 | 14.5 | 207.9 | 13.5 | 194.8 | 12.5 | 186.3 | 12.0 |
| | 57 | 52 | 246.5 | 15.0 | 233.4 | 14.0 | 221.0 | 13.2 | 207.9 | 12.3 | 194.8 | 11.5 | 186.3 | 11.0 |
| | 62 | 56 | 246.5 | 13.9 | 233.4 | 13.0 | 221.0 | 12.2 | 207.9 | 11.4 | 194.8 | 10.7 | 186.3 | 10.3 |
| | 67 | 61 | 246.5 | 12.5 | 233.4 | 11.7 | 221.0 | 11.1 | 207.9 | 10.4 | 194.8 | 9.8 | 186.3 | 9.4 |
| | 72 | 66 | 246.5 | 11.3 | 233.4 | 10.7 | 221.0 | 10.1 | 207.9 | 9.5 | 194.8 | 8.9 | 186.3 | 8.6 |
| 75 | 69 | 246.5 | 10.7 | 233.4 | 10.1 | 221.0 | 9.5 | 207.9 | 9.0 | 194.8 | 8.5 | 186.3 | 8.1 | |
| 80 | 74 | 246.5 | 9.7 | 233.4 | 9.2 | 221.0 | 8.7 | 207.9 | 8.2 | 194.8 | 7.8 | 186.3 | 7.6 | |
| 100% | -22 | -23 | 119.5 | 22.6 | 117.3 | 23.1 | 115.3 | 23.6 | 113.4 | 24.2 | 111.6 | 24.8 | 110.6 | 25.2 |
| | -17 | -18 | 145.1 | 23.6 | 142.5 | 24.2 | 140.2 | 24.7 | 138.0 | 25.3 | 136.0 | 26.0 | 134.8 | 26.4 |
| | -13 | -14 | 168.6 | 24.3 | 165.7 | 24.9 | 163.2 | 25.5 | 160.8 | 26.1 | 158.7 | 26.7 | 157.5 | 27.1 |
| | -8 | -9 | 178.6 | 24.9 | 176.0 | 25.5 | 173.9 | 26.1 | 171.9 | 26.7 | 170.1 | 27.4 | 169.3 | 27.6 |
| | -3 | -4 | 186.5 | 25.4 | 184.3 | 26.0 | 182.5 | 26.6 | 180.8 | 27.4 | 177.1 | 27.1 | 169.3 | 25.9 |
| | 2 | 1 | 193.1 | 26.6 | 191.2 | 27.2 | 189.6 | 27.9 | 189.0 | 28.5 | 177.1 | 26.3 | 169.3 | 25.0 |
| | 7 | 6 | 201.4 | 27.0 | 199.6 | 27.7 | 200.9 | 28.7 | 189.0 | 26.4 | 177.1 | 24.3 | 169.3 | 22.9 |
| | 12 | 10 | 209.3 | 27.4 | 209.8 | 28.3 | 200.9 | 26.7 | 189.0 | 24.6 | 177.1 | 22.5 | 169.3 | 21.1 |
| | 17 | 15 | 224.1 | 28.2 | 212.2 | 26.0 | 200.9 | 24.1 | 189.0 | 22.1 | 177.1 | 20.0 | 169.3 | 18.7 |
| | 22 | 20 | 224.1 | 25.3 | 212.2 | 23.4 | 200.9 | 21.6 | 189.0 | 19.7 | 177.1 | 18.0 | 169.3 | 17.1 |
| | 27 | 24 | 224.1 | 23.1 | 212.2 | 21.3 | 200.9 | 19.6 | 189.0 | 18.0 | 177.1 | 16.7 | 169.3 | 15.9 |
| | 32 | 29 | 224.1 | 20.6 | 212.2 | 19.0 | 200.9 | 17.7 | 189.0 | 16.4 | 177.1 | 15.4 | 169.3 | 14.7 |
| | 37 | 34 | 224.1 | 18.3 | 212.2 | 17.2 | 200.9 | 16.1 | 189.0 | 15.1 | 177.1 | 14.1 | 169.3 | 13.4 |
| | 42 | 38 | 224.1 | 17.0 | 212.2 | 16.0 | 200.9 | 15.1 | 189.0 | 14.1 | 177.1 | 13.1 | 169.3 | 12.5 |
| | 47 | 43 | 224.1 | 15.5 | 212.2 | 14.6 | 200.9 | 13.7 | 189.0 | 12.9 | 177.1 | 12.0 | 169.3 | 11.5 |
| | 52 | 47 | 224.1 | 14.4 | 212.2 | 13.6 | 200.9 | 12.8 | 189.0 | 12.0 | 177.1 | 11.3 | 169.3 | 10.8 |
| | 57 | 52 | 224.1 | 13.1 | 212.2 | 12.3 | 200.9 | 11.6 | 189.0 | 11.0 | 177.1 | 10.3 | 169.3 | 9.9 |
| | 62 | 56 | 224.1 | 12.1 | 212.2 | 11.4 | 200.9 | 10.8 | 189.0 | 10.2 | 177.1 | 9.6 | 169.3 | 9.2 |
| | 67 | 61 | 224.1 | 11.0 | 212.2 | 10.4 | 200.9 | 9.9 | 189.0 | 9.3 | 177.1 | 8.8 | 169.3 | 8.4 |
| | 72 | 66 | 224.1 | 10.0 | 212.2 | 9.5 | 200.9 | 9.0 | 189.0 | 8.5 | 177.1 | 8.0 | 169.3 | 7.8 |
| 75 | 69 | 224.1 | 9.4 | 212.2 | 9.0 | 200.9 | 8.5 | 189.0 | 8.1 | 177.1 | 7.7 | 169.3 | 7.5 | |
| 80 | 74 | 224.1 | 8.6 | 212.2 | 8.2 | 200.9 | 7.8 | 189.0 | 7.5 | 177.1 | 7.1 | 169.3 | 6.8 | |

NOTE - Power Input = Compressor + Outdoor Fan Motor.
 MBH = 1000 BTUs per hour.

HEATING CAPACITY - TWO MODULE | VRB168L4

| Combination (%) | Outdoor Temperature (°F) | | Indoor Temperature - °F Dry Bulb | | | | | | | | | | | |
|-----------------|--------------------------|----------|----------------------------------|----------------|----------------|----------------|----------------|----------------|----------------|----------------|----------------|----------------|----------------|----------------|
| | | | 61 | | 64 | | 67 | | 70 | | 73 | | 75 | |
| | Dry Bulb | Wet Bulb | Total Cap. MBH | Power Input kW | Total Cap. MBH | Power Input kW | Total Cap. MBH | Power Input kW | Total Cap. MBH | Power Input kW | Total Cap. MBH | Power Input kW | Total Cap. MBH | Power Input kW |
| 90% | -22 | -23 | 117.2 | 23.0 | 115.1 | 23.5 | 113.3 | 24.1 | 111.5 | 24.6 | 109.9 | 25.2 | 108.9 | 25.7 |
| | -17 | -18 | 142.1 | 24.2 | 139.7 | 24.7 | 137.6 | 25.3 | 135.6 | 25.9 | 133.8 | 26.5 | 132.7 | 27.0 |
| | -13 | -14 | 164.8 | 25.0 | 162.3 | 25.5 | 160.1 | 26.1 | 158.0 | 26.7 | 157.7 | 27.6 | 152.4 | 27.1 |
| | -8 | -9 | 175.0 | 25.6 | 172.8 | 26.2 | 171.0 | 26.9 | 170.1 | 27.4 | 159.4 | 25.9 | 152.4 | 24.9 |
| | -3 | -4 | 183.2 | 26.2 | 181.4 | 26.8 | 180.8 | 27.3 | 170.1 | 25.6 | 159.4 | 24.0 | 152.4 | 22.9 |
| | 2 | 1 | 190.1 | 27.5 | 191.0 | 28.4 | 180.8 | 26.6 | 170.1 | 24.8 | 159.4 | 23.0 | 152.4 | 21.8 |
| | 7 | 6 | 201.7 | 28.3 | 191.0 | 26.3 | 180.8 | 24.6 | 170.1 | 22.8 | 159.4 | 20.9 | 152.4 | 19.7 |
| | 12 | 10 | 201.7 | 26.3 | 191.0 | 24.5 | 180.8 | 22.8 | 170.1 | 20.9 | 159.4 | 19.1 | 152.4 | 18.0 |
| | 17 | 15 | 201.7 | 23.8 | 191.0 | 22.0 | 180.8 | 20.4 | 170.1 | 18.6 | 159.4 | 17.2 | 152.4 | 16.4 |
| | 22 | 20 | 201.7 | 21.3 | 191.0 | 19.6 | 180.8 | 18.2 | 170.1 | 16.9 | 159.4 | 15.8 | 152.4 | 15.1 |
| | 27 | 24 | 201.7 | 19.3 | 191.0 | 17.9 | 180.8 | 16.8 | 170.1 | 15.7 | 159.4 | 14.7 | 152.4 | 14.1 |
| | 32 | 29 | 201.7 | 17.4 | 191.0 | 16.3 | 180.8 | 15.4 | 170.1 | 14.5 | 159.4 | 13.6 | 152.4 | 13.0 |
| | 37 | 34 | 201.7 | 15.9 | 191.0 | 15.0 | 180.8 | 14.2 | 170.1 | 13.3 | 159.4 | 12.4 | 152.4 | 12.0 |
| | 42 | 38 | 201.7 | 14.8 | 191.0 | 14.0 | 180.8 | 13.2 | 170.1 | 12.4 | 159.4 | 11.7 | 152.4 | 11.2 |
| | 47 | 43 | 201.7 | 13.5 | 191.0 | 12.8 | 180.8 | 12.0 | 170.1 | 11.4 | 159.4 | 10.8 | 152.4 | 10.3 |
| | 52 | 47 | 201.7 | 12.6 | 191.0 | 11.8 | 180.8 | 11.3 | 170.1 | 10.7 | 159.4 | 10.1 | 152.4 | 9.7 |
| | 57 | 52 | 201.7 | 11.4 | 191.0 | 10.8 | 180.8 | 10.3 | 170.1 | 9.8 | 159.4 | 9.2 | 152.4 | 8.9 |
| | 62 | 56 | 201.7 | 10.6 | 191.0 | 10.1 | 180.8 | 9.6 | 170.1 | 9.1 | 159.4 | 8.6 | 152.4 | 8.3 |
| | 67 | 61 | 201.7 | 9.7 | 191.0 | 9.2 | 180.8 | 8.8 | 170.1 | 8.3 | 159.4 | 7.9 | 152.4 | 7.7 |
| | 72 | 66 | 201.7 | 8.8 | 191.0 | 8.4 | 180.8 | 8.0 | 170.1 | 7.7 | 159.4 | 7.3 | 152.4 | 7.0 |
| 75 | 69 | 201.7 | 8.3 | 191.0 | 7.9 | 180.8 | 7.6 | 170.1 | 7.3 | 159.4 | 6.9 | 152.4 | 6.7 | |
| 80 | 74 | 201.7 | 7.6 | 191.0 | 7.3 | 180.8 | 7.0 | 170.1 | 6.7 | 159.4 | 6.4 | 152.4 | 6.2 | |
| 80% | -22 | -23 | 114.8 | 23.5 | 112.9 | 24.1 | 111.2 | 24.6 | 109.6 | 25.2 | 108.1 | 25.8 | 107.2 | 26.2 |
| | -17 | -18 | 138.8 | 24.8 | 136.7 | 25.4 | 134.9 | 26.0 | 133.1 | 26.6 | 131.5 | 27.3 | 130.6 | 27.7 |
| | -13 | -14 | 160.9 | 25.8 | 158.8 | 26.4 | 158.8 | 27.3 | 151.2 | 26.6 | 141.6 | 25.4 | 135.5 | 24.6 |
| | -8 | -9 | 171.4 | 26.5 | 169.7 | 26.8 | 160.8 | 25.6 | 151.2 | 24.4 | 141.6 | 23.0 | 135.5 | 22.1 |
| | -3 | -4 | 179.3 | 26.5 | 169.7 | 25.1 | 160.8 | 23.8 | 151.2 | 22.4 | 141.6 | 20.9 | 135.5 | 20.0 |
| | 2 | 1 | 179.3 | 25.8 | 169.7 | 24.3 | 160.8 | 22.8 | 151.2 | 21.3 | 141.6 | 19.7 | 135.5 | 18.6 |
| | 7 | 6 | 179.3 | 23.9 | 169.7 | 22.3 | 160.8 | 20.8 | 151.2 | 19.1 | 141.6 | 17.7 | 135.5 | 16.9 |
| | 12 | 10 | 179.3 | 22.1 | 169.7 | 20.5 | 160.8 | 19.0 | 151.2 | 17.6 | 141.6 | 16.4 | 135.5 | 15.7 |
| | 17 | 15 | 179.3 | 19.7 | 169.7 | 18.2 | 160.8 | 17.1 | 151.2 | 16.0 | 141.6 | 15.0 | 135.5 | 14.4 |
| | 22 | 20 | 179.3 | 17.6 | 169.7 | 16.6 | 160.8 | 15.6 | 151.2 | 14.7 | 141.6 | 13.8 | 135.5 | 13.2 |
| | 27 | 24 | 179.3 | 16.3 | 169.7 | 15.4 | 160.8 | 14.6 | 151.2 | 13.7 | 141.6 | 12.9 | 135.5 | 12.4 |
| | 32 | 29 | 179.3 | 15.0 | 169.7 | 14.2 | 160.8 | 13.4 | 151.2 | 12.6 | 141.6 | 11.9 | 135.5 | 11.5 |
| | 37 | 34 | 179.3 | 13.7 | 169.7 | 13.0 | 160.8 | 12.3 | 151.2 | 11.7 | 141.6 | 11.0 | 135.5 | 10.6 |
| | 42 | 38 | 179.3 | 12.8 | 169.7 | 12.1 | 160.8 | 11.5 | 151.2 | 10.9 | 141.6 | 10.4 | 135.5 | 10.0 |
| | 47 | 43 | 179.3 | 11.7 | 169.7 | 11.1 | 160.8 | 10.6 | 151.2 | 10.1 | 141.6 | 9.5 | 135.5 | 9.2 |
| | 52 | 47 | 179.3 | 10.9 | 169.7 | 10.4 | 160.8 | 9.9 | 151.2 | 9.4 | 141.6 | 8.9 | 135.5 | 8.6 |
| | 57 | 52 | 179.3 | 10.0 | 169.7 | 9.5 | 160.8 | 9.1 | 151.2 | 8.6 | 141.6 | 8.2 | 135.5 | 8.0 |
| | 62 | 56 | 179.3 | 9.3 | 169.7 | 8.8 | 160.8 | 8.4 | 151.2 | 8.0 | 141.6 | 7.7 | 135.5 | 7.4 |
| | 67 | 61 | 179.3 | 8.5 | 169.7 | 8.1 | 160.8 | 7.8 | 151.2 | 7.5 | 141.6 | 7.1 | 135.5 | 6.8 |
| | 72 | 66 | 179.3 | 7.7 | 169.7 | 7.5 | 160.8 | 7.2 | 151.2 | 6.8 | 141.6 | 6.5 | 135.5 | 6.3 |
| 75 | 69 | 179.3 | 7.4 | 169.7 | 7.1 | 160.8 | 6.8 | 151.2 | 6.5 | 141.6 | 6.2 | 135.5 | 6.0 | |
| 80 | 74 | 179.3 | 6.8 | 169.7 | 6.5 | 160.8 | 6.2 | 151.2 | 6.0 | 141.6 | 5.7 | 135.5 | 5.5 | |

NOTE - Power Input = Compressor + Outdoor Fan Motor.
 MBH = 1000 BTUs per hour.

HEATING CAPACITY - TWO MODULE | VRB168L4

| Combination (%) | Outdoor Temperature (°F) | | Indoor Temperature - °F Dry Bulb | | | | | | | | | | | |
|-----------------|--------------------------|----------|----------------------------------|----------------|----------------|----------------|----------------|----------------|----------------|----------------|----------------|----------------|----------------|----------------|
| | | | 61 | | 64 | | 67 | | 70 | | 73 | | 75 | |
| | Dry Bulb | Wet Bulb | Total Cap. MBH | Power Input kW | Total Cap. MBH | Power Input kW | Total Cap. MBH | Power Input kW | Total Cap. MBH | Power Input kW | Total Cap. MBH | Power Input kW | Total Cap. MBH | Power Input kW |
| 70% | -22 | -23 | 112.1 | 24.2 | 110.4 | 24.7 | 108.9 | 25.3 | 107.4 | 25.9 | 106.1 | 26.6 | 105.3 | 27.0 |
| | -17 | -18 | 135.3 | 25.7 | 133.5 | 26.3 | 132.0 | 26.9 | 130.9 | 27.6 | 123.9 | 26.9 | 118.5 | 26.1 |
| | -13 | -14 | 156.9 | 26.7 | 148.5 | 25.7 | 140.7 | 24.8 | 132.3 | 23.7 | 123.9 | 22.6 | 118.5 | 21.9 |
| | -8 | -9 | 156.9 | 24.6 | 148.5 | 23.5 | 140.7 | 22.5 | 132.3 | 21.3 | 123.9 | 20.1 | 118.5 | 19.3 |
| | -3 | -4 | 156.9 | 22.7 | 148.5 | 21.5 | 140.7 | 20.4 | 132.3 | 19.1 | 123.9 | 17.8 | 118.5 | 17.1 |
| | 2 | 1 | 156.9 | 21.7 | 148.5 | 20.4 | 140.7 | 19.1 | 132.3 | 17.8 | 123.9 | 16.7 | 118.5 | 16.1 |
| | 7 | 6 | 156.9 | 19.6 | 148.5 | 18.3 | 140.7 | 17.2 | 132.3 | 16.2 | 123.9 | 15.2 | 118.5 | 14.5 |
| | 12 | 10 | 156.9 | 17.9 | 148.5 | 16.9 | 140.7 | 16.0 | 132.3 | 15.0 | 123.9 | 14.1 | 118.5 | 13.5 |
| | 17 | 15 | 156.9 | 16.2 | 148.5 | 15.4 | 140.7 | 14.6 | 132.3 | 13.8 | 123.9 | 12.9 | 118.5 | 12.4 |
| | 22 | 20 | 156.9 | 14.9 | 148.5 | 14.1 | 140.7 | 13.4 | 132.3 | 12.7 | 123.9 | 12.0 | 118.5 | 11.6 |
| | 27 | 24 | 156.9 | 13.9 | 148.5 | 13.2 | 140.7 | 12.5 | 132.3 | 11.9 | 123.9 | 11.3 | 118.5 | 10.9 |
| | 32 | 29 | 156.9 | 12.8 | 148.5 | 12.1 | 140.7 | 11.6 | 132.3 | 11.0 | 123.9 | 10.5 | 118.5 | 10.1 |
| | 37 | 34 | 156.9 | 11.7 | 148.5 | 11.2 | 140.7 | 10.7 | 132.3 | 10.2 | 123.9 | 9.7 | 118.5 | 9.4 |
| | 42 | 38 | 156.9 | 11.0 | 148.5 | 10.5 | 140.7 | 10.1 | 132.3 | 9.6 | 123.9 | 9.1 | 118.5 | 8.8 |
| | 47 | 43 | 156.9 | 10.1 | 148.5 | 9.7 | 140.7 | 9.2 | 132.3 | 8.8 | 123.9 | 8.4 | 118.5 | 8.1 |
| | 52 | 47 | 156.9 | 9.4 | 148.5 | 9.0 | 140.7 | 8.6 | 132.3 | 8.2 | 123.9 | 7.9 | 118.5 | 7.6 |
| | 57 | 52 | 156.9 | 8.6 | 148.5 | 8.2 | 140.7 | 7.9 | 132.3 | 7.6 | 123.9 | 7.2 | 118.5 | 7.0 |
| | 62 | 56 | 156.9 | 8.0 | 148.5 | 7.8 | 140.7 | 7.5 | 132.3 | 7.1 | 123.9 | 6.7 | 118.5 | 6.5 |
| | 67 | 61 | 156.9 | 7.5 | 148.5 | 7.1 | 140.7 | 6.8 | 132.3 | 6.5 | 123.9 | 6.2 | 118.5 | 6.0 |
| | 72 | 66 | 156.9 | 6.8 | 148.5 | 6.5 | 140.7 | 6.3 | 132.3 | 6.0 | 123.9 | 5.8 | 118.5 | 5.6 |
| 75 | 69 | 156.9 | 6.5 | 148.5 | 6.2 | 140.7 | 6.0 | 132.3 | 5.8 | 123.9 | 5.5 | 118.5 | 5.4 | |
| 80 | 74 | 156.9 | 6.0 | 148.5 | 5.8 | 140.7 | 5.6 | 132.3 | 5.3 | 123.9 | 5.1 | 118.5 | 4.9 | |
| 60% | -22 | -23 | 109.1 | 25.1 | 107.6 | 25.7 | 106.4 | 26.3 | 105.1 | 26.9 | 104.9 | 27.8 | 101.6 | 27.5 |
| | -17 | -18 | 132.6 | 27.0 | 127.3 | 26.7 | 120.6 | 25.9 | 113.4 | 24.9 | 106.2 | 23.9 | 101.6 | 23.2 |
| | -13 | -14 | 134.5 | 23.4 | 127.3 | 22.5 | 120.6 | 21.7 | 113.4 | 20.7 | 106.2 | 19.7 | 101.6 | 19.1 |
| | -8 | -9 | 134.5 | 21.0 | 127.3 | 20.1 | 120.6 | 19.1 | 113.4 | 18.1 | 106.2 | 17.2 | 101.6 | 16.6 |
| | -3 | -4 | 134.5 | 18.9 | 127.3 | 17.9 | 120.6 | 16.9 | 113.4 | 16.1 | 106.2 | 15.2 | 101.6 | 14.7 |
| | 2 | 1 | 134.5 | 17.6 | 127.3 | 16.7 | 120.6 | 15.9 | 113.4 | 15.0 | 106.2 | 14.1 | 101.6 | 13.4 |
| | 7 | 6 | 134.5 | 16.0 | 127.3 | 15.2 | 120.6 | 14.4 | 113.4 | 13.6 | 106.2 | 12.8 | 101.6 | 12.2 |
| | 12 | 10 | 134.5 | 14.8 | 127.3 | 14.1 | 120.6 | 13.4 | 113.4 | 12.6 | 106.2 | 12.0 | 101.6 | 11.6 |
| | 17 | 15 | 134.5 | 13.6 | 127.3 | 12.9 | 120.6 | 12.3 | 113.4 | 11.7 | 106.2 | 11.2 | 101.6 | 10.8 |
| | 22 | 20 | 134.5 | 12.5 | 127.3 | 11.9 | 120.6 | 11.4 | 113.4 | 10.9 | 106.2 | 10.4 | 101.6 | 10.1 |
| | 27 | 24 | 134.5 | 11.7 | 127.3 | 11.2 | 120.6 | 10.8 | 113.4 | 10.3 | 106.2 | 9.8 | 101.6 | 9.5 |
| | 32 | 29 | 134.5 | 10.8 | 127.3 | 10.4 | 120.6 | 10.0 | 113.4 | 9.6 | 106.2 | 9.1 | 101.6 | 8.8 |
| | 37 | 34 | 134.5 | 10.0 | 127.3 | 9.6 | 120.6 | 9.2 | 113.4 | 8.8 | 106.2 | 8.4 | 101.6 | 8.1 |
| | 42 | 38 | 134.5 | 9.4 | 127.3 | 9.0 | 120.6 | 8.6 | 113.4 | 8.3 | 106.2 | 8.0 | 101.6 | 7.7 |
| | 47 | 43 | 134.5 | 8.6 | 127.3 | 8.3 | 120.6 | 8.0 | 113.4 | 7.7 | 106.2 | 7.3 | 101.6 | 7.1 |
| | 52 | 47 | 134.5 | 8.0 | 127.3 | 7.8 | 120.6 | 7.5 | 113.4 | 7.2 | 106.2 | 6.8 | 101.6 | 6.6 |
| | 57 | 52 | 134.5 | 7.5 | 127.3 | 7.2 | 120.6 | 6.9 | 113.4 | 6.5 | 106.2 | 6.3 | 101.6 | 6.1 |
| | 62 | 56 | 134.5 | 6.9 | 127.3 | 6.7 | 120.6 | 6.4 | 113.4 | 6.1 | 106.2 | 5.9 | 101.6 | 5.7 |
| | 67 | 61 | 134.5 | 6.3 | 127.3 | 6.1 | 120.6 | 5.9 | 113.4 | 5.7 | 106.2 | 5.4 | 101.6 | 5.2 |
| | 72 | 66 | 134.5 | 5.8 | 127.3 | 5.7 | 120.6 | 5.5 | 113.4 | 5.3 | 106.2 | 5.0 | 101.6 | 4.9 |
| 75 | 69 | 134.5 | 5.6 | 127.3 | 5.4 | 120.6 | 5.2 | 113.4 | 5.0 | 106.2 | 4.8 | 101.6 | 4.7 | |
| 80 | 74 | 134.5 | 5.3 | 127.3 | 5.1 | 120.6 | 4.9 | 113.4 | 4.6 | 106.2 | 4.4 | 101.6 | 4.2 | |

NOTE - Power Input = Compressor + Outdoor Fan Motor.
 MBH = 1000 BTUs per hour.

HEATING CAPACITY - TWO MODULE | VRB168L4

| Combination (%) | Outdoor Temperature (°F) | | Indoor Temperature - °F Dry Bulb | | | | | | | | | | | |
|-----------------|--------------------------|----------|----------------------------------|----------------|----------------|----------------|----------------|----------------|----------------|----------------|----------------|----------------|----------------|----------------|
| | | | 61 | | 64 | | 67 | | 70 | | 73 | | 75 | |
| | Dry Bulb | Wet Bulb | Total Cap. MBH | Power Input kW | Total Cap. MBH | Power Input kW | Total Cap. MBH | Power Input kW | Total Cap. MBH | Power Input kW | Total Cap. MBH | Power Input kW | Total Cap. MBH | Power Input kW |
| 50% | -22 | -23 | 105.8 | 26.4 | 106.1 | 27.4 | 100.5 | 26.7 | 94.5 | 25.9 | 88.5 | 25.1 | 84.7 | 24.5 |
| | -17 | -18 | 112.1 | 24.0 | 106.1 | 23.2 | 100.5 | 22.5 | 94.5 | 21.6 | 88.5 | 20.7 | 84.7 | 20.1 |
| | -13 | -14 | 112.1 | 19.9 | 106.1 | 19.2 | 100.5 | 18.4 | 94.5 | 17.6 | 88.5 | 16.8 | 84.7 | 16.3 |
| | -8 | -9 | 112.1 | 17.4 | 106.1 | 16.7 | 100.5 | 16.0 | 94.5 | 15.3 | 88.5 | 14.5 | 84.7 | 13.6 |
| | -3 | -4 | 112.1 | 15.4 | 106.1 | 14.7 | 100.5 | 14.0 | 94.5 | 13.1 | 88.5 | 12.2 | 84.7 | 11.7 |
| | 2 | 1 | 112.1 | 14.3 | 106.1 | 13.6 | 100.5 | 12.9 | 94.5 | 12.1 | 88.5 | 11.5 | 84.7 | 11.1 |
| | 7 | 6 | 112.1 | 13.0 | 106.1 | 12.3 | 100.5 | 11.8 | 94.5 | 11.2 | 88.5 | 10.7 | 84.7 | 10.4 |
| | 12 | 10 | 112.1 | 12.1 | 106.1 | 11.6 | 100.5 | 11.1 | 94.5 | 10.6 | 88.5 | 10.2 | 84.7 | 9.9 |
| | 17 | 15 | 112.1 | 11.2 | 106.1 | 10.8 | 100.5 | 10.4 | 94.5 | 10.0 | 88.5 | 9.5 | 84.7 | 9.2 |
| | 22 | 20 | 112.1 | 10.4 | 106.1 | 10.1 | 100.5 | 9.7 | 94.5 | 9.3 | 88.5 | 8.9 | 84.7 | 8.7 |
| | 27 | 24 | 112.1 | 9.8 | 106.1 | 9.5 | 100.5 | 9.1 | 94.5 | 8.8 | 88.5 | 8.4 | 84.7 | 8.1 |
| | 32 | 29 | 112.1 | 9.1 | 106.1 | 8.8 | 100.5 | 8.5 | 94.5 | 8.1 | 88.5 | 7.8 | 84.7 | 7.6 |
| | 37 | 34 | 112.1 | 8.4 | 106.1 | 8.1 | 100.5 | 7.9 | 94.5 | 7.6 | 88.5 | 7.2 | 84.7 | 7.0 |
| | 42 | 38 | 112.1 | 7.9 | 106.1 | 7.7 | 100.5 | 7.4 | 94.5 | 7.1 | 88.5 | 6.8 | 84.7 | 6.6 |
| | 47 | 43 | 112.1 | 7.3 | 106.1 | 7.0 | 100.5 | 6.8 | 94.5 | 6.5 | 88.5 | 6.2 | 84.7 | 6.0 |
| | 52 | 47 | 112.1 | 6.8 | 106.1 | 6.6 | 100.5 | 6.3 | 94.5 | 6.1 | 88.5 | 5.8 | 84.7 | 5.6 |
| | 57 | 52 | 112.1 | 6.2 | 106.1 | 6.0 | 100.5 | 5.8 | 94.5 | 5.6 | 88.5 | 5.3 | 84.7 | 5.1 |
| | 62 | 56 | 112.1 | 5.8 | 106.1 | 5.6 | 100.5 | 5.4 | 94.5 | 5.2 | 88.5 | 5.0 | 84.7 | 4.8 |
| 67 | 61 | 112.1 | 5.4 | 106.1 | 5.2 | 100.5 | 5.0 | 94.5 | 4.8 | 88.5 | 4.6 | 84.7 | 4.5 | |
| 72 | 66 | 112.1 | 5.0 | 106.1 | 4.8 | 100.5 | 4.7 | 94.5 | 4.5 | 88.5 | 4.3 | 84.7 | 4.2 | |
| 75 | 69 | 112.1 | 4.8 | 106.1 | 4.6 | 100.5 | 4.5 | 94.5 | 4.3 | 88.5 | 4.2 | 84.7 | 4.1 | |
| 80 | 74 | 112.1 | 4.5 | 106.1 | 4.3 | 100.5 | 4.1 | 94.5 | 3.9 | 88.5 | 3.7 | 84.7 | 3.5 | |

NOTE - Power Input = Compressor + Outdoor Fan Motor.
 MBH = 1000 BTUs per hour.

COOLING CAPACITY - TWO MODULE | VRB192L4

| Combination (%) | Outdoor Temperature °F (Dry Bulb) | Indoor Temperature - °F (Dry Bulb / Wet Bulb) | | | | | | | | | | | |
|-----------------|-----------------------------------|---|-------------|------------|-------------|------------|-------------|------------|-------------|------------|-------------|------------|-------------|
| | | 67 / 57 | | 71 / 60 | | 75 / 63 | | 80 / 67 | | 85 / 71 | | 90 / 75 | |
| | | Total Cap. | Power Input | Total Cap. | Power Input | Total Cap. | Power Input | Total Cap. | Power Input | Total Cap. | Power Input | Total Cap. | Power Input |
| | | MBH | KW | MBH | KW | MBH | KW | MBH | KW | MBH | KW | MBH | KW |
| 130% | -10 | 147.2 | 5.2 | 178.8 | 6.4 | 208.6 | 7.6 | 249.6 | 9.3 | 292.4 | 11.1 | 326.0 | 12.7 |
| | -5 | 147.2 | 5.6 | 178.8 | 6.9 | 208.6 | 8.1 | 249.6 | 9.9 | 292.4 | 11.8 | 315.4 | 13.0 |
| | 10 | 147.2 | 5.7 | 178.8 | 7.0 | 208.6 | 8.3 | 249.6 | 10.1 | 292.4 | 12.1 | 311.7 | 13.1 |
| | 15 | 147.2 | 5.8 | 178.8 | 7.2 | 208.6 | 8.4 | 249.6 | 10.3 | 289.8 | 12.2 | 305.4 | 13.1 |
| | 20 | 147.2 | 5.9 | 178.8 | 7.3 | 208.6 | 8.6 | 249.6 | 10.5 | 285.7 | 12.3 | 298.8 | 13.1 |
| | 25 | 147.2 | 6.1 | 178.8 | 7.5 | 208.6 | 8.8 | 249.6 | 10.8 | 281.4 | 12.4 | 291.7 | 13.1 |
| | 30 | 147.2 | 6.2 | 178.8 | 7.7 | 208.6 | 9.0 | 249.6 | 11.0 | 277.2 | 12.5 | 284.8 | 13.1 |
| | 35 | 147.2 | 6.4 | 178.8 | 7.8 | 208.6 | 9.3 | 249.6 | 11.3 | 273.3 | 12.6 | 278.2 | 13.1 |
| | 40 | 147.2 | 6.5 | 178.8 | 8.0 | 208.6 | 9.5 | 249.6 | 11.6 | 270.8 | 12.7 | 274.0 | 13.2 |
| | 45 | 147.2 | 6.7 | 178.8 | 8.2 | 208.6 | 9.7 | 249.6 | 11.8 | 269.7 | 13.0 | 272.4 | 13.5 |
| | 50 | 147.2 | 6.9 | 178.8 | 8.4 | 208.6 | 10.0 | 249.6 | 12.1 | 267.4 | 13.2 | 271.2 | 13.7 |
| | 55 | 147.2 | 7.0 | 178.8 | 8.7 | 208.6 | 10.2 | 249.6 | 12.5 | 266.6 | 13.5 | 270.4 | 14.1 |
| | 60 | 147.2 | 7.2 | 178.8 | 8.9 | 208.6 | 10.5 | 249.6 | 12.8 | 267.2 | 13.9 | 270.0 | 14.4 |
| | 65 | 147.2 | 7.4 | 178.8 | 9.1 | 208.6 | 10.8 | 249.6 | 13.2 | 264.6 | 14.2 | 269.6 | 14.8 |
| | 70 | 147.2 | 8.1 | 178.8 | 10.0 | 208.6 | 11.8 | 249.6 | 14.3 | 264.1 | 15.4 | 269.2 | 16.1 |
| | 75 | 147.2 | 8.9 | 178.8 | 10.9 | 208.6 | 12.9 | 246.6 | 15.5 | 263.2 | 16.8 | 268.3 | 17.6 |
| | 80 | 147.2 | 9.8 | 178.8 | 12.0 | 208.6 | 14.2 | 245.1 | 16.9 | 261.5 | 18.4 | 266.5 | 19.2 |
| | 85 | 147.2 | 10.7 | 178.8 | 13.2 | 208.6 | 15.5 | 242.8 | 18.4 | 258.6 | 19.9 | 263.5 | 20.8 |
| | 90 | 147.2 | 11.7 | 178.8 | 14.4 | 208.6 | 17.0 | 239.3 | 19.8 | 253.9 | 21.4 | 258.7 | 22.3 |
| | 95 | 147.2 | 12.8 | 178.8 | 15.7 | 208.6 | 18.6 | 226.6 | 20.4 | 233.5 | 21.5 | 237.3 | 22.4 |
| | 100 | 147.2 | 13.9 | 178.8 | 17.1 | 202.4 | 19.6 | 220.1 | 21.5 | 223.5 | 22.3 | 227.8 | 23.3 |
| 105 | 147.2 | 15.0 | 178.8 | 18.5 | 193.0 | 20.1 | 204.6 | 21.6 | 210.7 | 22.7 | 214.7 | 23.7 | |
| 110 | 147.2 | 16.1 | 167.5 | 18.4 | 181.0 | 20.0 | 188.1 | 21.2 | 193.7 | 22.3 | 197.4 | 23.3 | |
| 115 | 139.9 | 16.1 | 154.1 | 17.8 | 160.7 | 18.8 | 166.9 | 19.9 | 171.8 | 20.9 | 175.1 | 21.8 | |
| 118 | 130.1 | 15.3 | 140.8 | 16.7 | 145.7 | 17.5 | 151.3 | 18.5 | 155.8 | 19.5 | 158.8 | 20.3 | |
| 125 | 95.2 | 11.6 | 99.3 | 12.2 | 102.8 | 12.8 | 106.7 | 13.6 | 109.9 | 14.3 | 112.0 | 14.9 | |
| 120% | -10 | 135.8 | 4.8 | 165.1 | 5.9 | 192.6 | 6.9 | 230.4 | 8.4 | 269.9 | 10.1 | 307.8 | 11.8 |
| | -5 | 135.8 | 5.1 | 165.1 | 6.2 | 192.6 | 7.4 | 230.4 | 9.0 | 269.9 | 10.7 | 302.6 | 12.3 |
| | 10 | 135.8 | 5.2 | 165.1 | 6.4 | 192.6 | 7.5 | 230.4 | 9.2 | 269.9 | 11.0 | 298.9 | 12.4 |
| | 15 | 135.8 | 5.3 | 165.1 | 6.5 | 192.6 | 7.7 | 230.4 | 9.4 | 269.9 | 11.2 | 294.8 | 12.5 |
| | 20 | 135.8 | 5.4 | 165.1 | 6.6 | 192.6 | 7.8 | 230.4 | 9.6 | 269.9 | 11.5 | 290.7 | 12.6 |
| | 25 | 135.8 | 5.5 | 165.1 | 6.8 | 192.6 | 8.0 | 230.4 | 9.8 | 269.9 | 11.7 | 286.4 | 12.7 |
| | 30 | 135.8 | 5.7 | 165.1 | 7.0 | 192.6 | 8.2 | 230.4 | 10.0 | 265.7 | 11.8 | 279.6 | 12.6 |
| | 35 | 135.8 | 5.8 | 165.1 | 7.1 | 192.6 | 8.4 | 230.4 | 10.2 | 261.8 | 11.9 | 273.1 | 12.6 |
| | 40 | 135.8 | 5.9 | 165.1 | 7.3 | 192.6 | 8.6 | 230.4 | 10.5 | 259.3 | 12.0 | 268.9 | 12.8 |
| | 45 | 135.8 | 6.1 | 165.1 | 7.5 | 192.6 | 8.8 | 230.4 | 10.8 | 258.2 | 12.3 | 267.2 | 13.0 |
| | 50 | 135.8 | 6.2 | 165.1 | 7.7 | 192.6 | 9.1 | 230.4 | 11.0 | 257.5 | 12.6 | 266.1 | 13.3 |
| | 55 | 135.8 | 6.4 | 165.1 | 7.9 | 192.6 | 9.3 | 230.4 | 11.3 | 256.9 | 12.9 | 265.3 | 13.6 |
| | 60 | 135.8 | 6.6 | 165.1 | 8.1 | 192.6 | 9.6 | 230.4 | 11.6 | 257.0 | 13.2 | 264.9 | 13.9 |
| | 65 | 135.8 | 6.8 | 165.1 | 8.3 | 192.6 | 9.8 | 230.4 | 12.0 | 255.3 | 13.5 | 264.5 | 14.3 |
| | 70 | 135.8 | 7.4 | 165.1 | 9.0 | 192.6 | 10.7 | 230.4 | 13.0 | 254.7 | 14.6 | 264.1 | 15.5 |
| | 75 | 135.8 | 8.1 | 165.1 | 9.9 | 192.6 | 11.7 | 230.4 | 14.3 | 253.7 | 16.0 | 263.2 | 17.0 |
| | 80 | 135.8 | 8.9 | 165.1 | 10.9 | 192.6 | 12.9 | 230.4 | 15.7 | 252.2 | 17.5 | 261.5 | 18.5 |
| | 85 | 135.8 | 9.7 | 165.1 | 12.0 | 192.6 | 14.1 | 230.4 | 17.2 | 249.9 | 19.0 | 258.5 | 20.1 |
| | 90 | 135.8 | 10.7 | 165.1 | 13.1 | 192.6 | 15.5 | 230.4 | 18.9 | 246.6 | 20.5 | 253.8 | 21.6 |
| | 95 | 135.8 | 11.6 | 165.1 | 14.3 | 192.6 | 16.9 | 219.4 | 19.5 | 233.5 | 21.1 | 237.3 | 22.0 |
| | 100 | 135.8 | 12.7 | 165.1 | 15.6 | 192.6 | 18.4 | 212.9 | 20.6 | 223.5 | 22.0 | 227.8 | 23.0 |
| 105 | 135.8 | 13.7 | 165.1 | 16.8 | 187.0 | 19.2 | 203.6 | 21.1 | 210.7 | 22.4 | 214.7 | 23.3 | |
| 110 | 135.8 | 14.6 | 162.3 | 17.7 | 175.0 | 19.1 | 188.1 | 20.9 | 193.7 | 22.0 | 197.4 | 22.9 | |
| 115 | 135.8 | 15.5 | 149.0 | 17.0 | 160.7 | 18.5 | 166.9 | 19.6 | 171.8 | 20.6 | 175.1 | 21.5 | |
| 118 | 125.8 | 14.6 | 140.1 | 16.4 | 145.7 | 17.2 | 151.3 | 18.2 | 155.8 | 19.2 | 158.8 | 20.0 | |
| 125 | 95.2 | 11.4 | 99.3 | 12.0 | 102.8 | 12.6 | 106.7 | 13.3 | 109.9 | 14.1 | 112.0 | 14.7 | |

NOTE - Power Input = Compressor + Outdoor Fan Motor.
MBH = 1000 BTUs per hour.

COOLING CAPACITY - TWO MODULE | VRB192L4

| Combination (%) | Outdoor Temperature °F (Dry Bulb) | Indoor Temperature - °F (Dry Bulb / Wet Bulb) | | | | | | | | | | | |
|-----------------|-----------------------------------|---|-------------|------------|-------------|------------|-------------|--------------|-------------|------------|-------------|------------|-------------|
| | | 67 / 57 | | 71 / 60 | | 75 / 63 | | 80 / 67 | | 85 / 71 | | 90 / 75 | |
| | | Total Cap. | Power Input | Total Cap. | Power Input | Total Cap. | Power Input | Total Cap. | Power Input | Total Cap. | Power Input | Total Cap. | Power Input |
| | | MBH | kW | MBH | kW | MBH | kW | MBH | kW | MBH | kW | MBH | kW |
| 110% | -10 | 124.5 | 4.3 | 151.3 | 5.3 | 176.5 | 6.2 | 211.2 | 7.6 | 247.5 | 9.1 | 282.1 | 10.6 |
| | -5 | 124.5 | 4.6 | 151.3 | 5.6 | 176.5 | 6.6 | 211.2 | 8.1 | 247.5 | 9.7 | 282.1 | 11.3 |
| | 10 | 124.5 | 4.7 | 151.3 | 5.7 | 176.5 | 6.8 | 211.2 | 8.3 | 247.5 | 9.9 | 282.1 | 11.6 |
| | 15 | 124.5 | 4.8 | 151.3 | 5.9 | 176.5 | 6.9 | 211.2 | 8.4 | 247.5 | 10.1 | 282.0 | 11.8 |
| | 20 | 124.5 | 4.9 | 151.3 | 6.0 | 176.5 | 7.1 | 211.2 | 8.6 | 247.5 | 10.3 | 278.0 | 11.9 |
| | 25 | 124.5 | 5.0 | 151.3 | 6.1 | 176.5 | 7.2 | 211.2 | 8.8 | 247.5 | 10.6 | 273.7 | 12.0 |
| | 30 | 124.5 | 5.1 | 151.3 | 6.3 | 176.5 | 7.4 | 211.2 | 9.0 | 247.5 | 10.8 | 269.6 | 12.0 |
| | 35 | 124.5 | 5.2 | 151.3 | 6.4 | 176.5 | 7.6 | 211.2 | 9.3 | 247.5 | 11.1 | 265.7 | 12.1 |
| | 40 | 124.5 | 5.4 | 151.3 | 6.6 | 176.5 | 7.8 | 211.2 | 9.5 | 247.5 | 11.4 | 263.1 | 12.3 |
| | 45 | 124.5 | 5.5 | 151.3 | 6.8 | 176.5 | 8.0 | 211.2 | 9.7 | 247.5 | 11.6 | 262.1 | 12.6 |
| | 50 | 124.5 | 5.6 | 151.3 | 6.9 | 176.5 | 8.2 | 211.2 | 10.0 | 247.5 | 11.9 | 261.0 | 12.8 |
| | 55 | 124.5 | 5.8 | 151.3 | 7.1 | 176.5 | 8.4 | 211.2 | 10.2 | 247.5 | 12.3 | 260.2 | 13.1 |
| | 60 | 124.5 | 5.9 | 151.3 | 7.3 | 176.5 | 8.6 | 211.2 | 10.5 | 245.4 | 12.5 | 259.8 | 13.5 |
| | 65 | 124.5 | 6.1 | 151.3 | 7.5 | 176.5 | 8.9 | 211.2 | 10.8 | 243.9 | 12.7 | 259.5 | 13.8 |
| | 70 | 124.5 | 6.6 | 151.3 | 8.2 | 176.5 | 9.6 | 211.2 | 11.8 | 243.3 | 13.8 | 259.0 | 15.0 |
| | 75 | 124.5 | 7.3 | 151.3 | 9.0 | 176.5 | 10.6 | 211.2 | 12.9 | 242.4 | 15.1 | 258.1 | 16.4 |
| | 80 | 124.5 | 8.0 | 151.3 | 9.8 | 176.5 | 11.6 | 211.2 | 14.2 | 240.9 | 16.5 | 256.5 | 17.9 |
| | 85 | 124.5 | 8.8 | 151.3 | 10.8 | 176.5 | 12.7 | 211.2 | 15.5 | 238.6 | 17.9 | 253.6 | 19.4 |
| | 90 | 124.5 | 9.6 | 151.3 | 11.8 | 176.5 | 14.0 | 211.2 | 17.0 | 235.3 | 19.3 | 249.0 | 20.8 |
| | 95 | 124.5 | 10.5 | 151.3 | 12.9 | 176.5 | 15.3 | 211.2 | 18.6 | 228.1 | 20.4 | 237.3 | 21.7 |
| 100 | 124.5 | 11.4 | 151.3 | 14.0 | 176.5 | 16.6 | 207.7 | 19.9 | 221.7 | 21.5 | 227.8 | 22.6 | |
| 105 | 124.5 | 12.3 | 151.3 | 15.2 | 176.5 | 17.9 | 196.4 | 20.2 | 210.7 | 22.0 | 214.7 | 23.0 | |
| 110 | 124.5 | 13.2 | 151.3 | 16.2 | 169.0 | 18.3 | 186.0 | 20.3 | 193.7 | 21.6 | 197.4 | 22.6 | |
| 115 | 124.5 | 14.0 | 143.8 | 16.3 | 156.3 | 17.8 | 166.9 | 19.3 | 171.8 | 20.3 | 175.1 | 21.2 | |
| 118 | 121.6 | 14.0 | 134.9 | 15.6 | 145.7 | 17.0 | 151.3 | 17.9 | 155.8 | 18.9 | 158.8 | 19.7 | |
| 125 | 95.2 | 11.2 | 99.3 | 11.9 | 102.8 | 12.4 | 106.7 | 13.1 | 109.9 | 13.8 | 112.0 | 14.4 | |
| 100% | -10 | 113.2 | 3.9 | 137.6 | 4.7 | 160.5 | 5.6 | 192.0 | 6.8 | 225.0 | 8.2 | 256.5 | 9.5 |
| | -5 | 113.2 | 4.1 | 137.6 | 5.0 | 160.5 | 5.9 | 192.0 | 7.2 | 225.0 | 8.7 | 256.5 | 10.1 |
| | 10 | 113.2 | 4.2 | 137.6 | 5.1 | 160.5 | 6.1 | 192.0 | 7.4 | 225.0 | 8.9 | 256.5 | 10.4 |
| | 15 | 113.2 | 4.3 | 137.6 | 5.3 | 160.5 | 6.2 | 192.0 | 7.6 | 225.0 | 9.1 | 256.5 | 10.6 |
| | 20 | 113.2 | 4.4 | 137.6 | 5.4 | 160.5 | 6.3 | 192.0 | 7.7 | 225.0 | 9.3 | 256.3 | 10.8 |
| | 25 | 113.2 | 4.5 | 137.6 | 5.5 | 160.5 | 6.5 | 192.0 | 7.9 | 225.0 | 9.5 | 254.7 | 11.0 |
| | 30 | 113.2 | 4.6 | 137.6 | 5.6 | 160.5 | 6.6 | 192.0 | 8.1 | 225.0 | 9.7 | 253.1 | 11.2 |
| | 35 | 113.2 | 4.7 | 137.6 | 5.8 | 160.5 | 6.8 | 192.0 | 8.3 | 225.0 | 9.9 | 251.6 | 11.4 |
| | 40 | 113.2 | 4.8 | 137.6 | 5.9 | 160.5 | 7.0 | 192.0 | 8.5 | 225.0 | 10.2 | 250.4 | 11.6 |
| | 45 | 113.2 | 4.9 | 137.6 | 6.0 | 160.5 | 7.1 | 192.0 | 8.7 | 225.0 | 10.4 | 249.5 | 11.8 |
| | 50 | 113.2 | 5.0 | 137.6 | 6.2 | 160.5 | 7.3 | 192.0 | 8.9 | 225.0 | 10.7 | 248.7 | 12.1 |
| | 55 | 113.2 | 5.2 | 137.6 | 6.4 | 160.5 | 7.5 | 192.0 | 9.2 | 225.0 | 11.0 | 248.1 | 12.4 |
| | 60 | 113.2 | 5.3 | 137.6 | 6.5 | 160.5 | 7.7 | 192.0 | 9.4 | 225.0 | 11.3 | 247.7 | 12.7 |
| | 65 | 113.2 | 5.5 | 137.6 | 6.7 | 160.5 | 7.9 | 192.0 | 9.7 | 225.0 | 11.6 | 247.2 | 13.0 |
| | 70 | 113.2 | 5.9 | 137.6 | 7.3 | 160.5 | 8.6 | 192.0 | 10.5 | 225.0 | 12.6 | 246.6 | 14.1 |
| | 75 | 113.2 | 6.5 | 137.6 | 8.0 | 160.5 | 9.5 | 192.0 | 11.5 | 225.0 | 13.8 | 245.6 | 15.4 |
| | 80 | 113.2 | 7.2 | 137.6 | 8.8 | 160.5 | 10.4 | 192.0 | 12.7 | 225.0 | 15.2 | 244.2 | 16.8 |
| | 85 | 113.2 | 7.9 | 137.6 | 9.7 | 160.5 | 11.4 | 192.0 | 13.9 | 225.0 | 16.7 | 241.9 | 18.3 |
| | 90 | 113.2 | 8.6 | 137.6 | 10.6 | 160.5 | 12.5 | 192.0 | 15.2 | 224.1 | 18.2 | 238.6 | 19.7 |
| | 95 | 113.2 | 9.4 | 137.6 | 11.6 | 160.5 | 13.7 | 192.0 | 16.7 | 219.5 | 19.4 | 233.9 | 21.1 |
| 100 | 113.2 | 10.2 | 137.6 | 12.6 | 160.5 | 14.8 | 192.0 | 18.1 | 213.3 | 20.5 | 227.6 | 22.2 | |
| 105 | 113.2 | 11.0 | 137.6 | 13.6 | 160.5 | 16.0 | 189.2 | 19.2 | 205.0 | 21.2 | 214.7 | 22.6 | |
| 110 | 113.2 | 11.8 | 137.6 | 14.5 | 160.5 | 17.2 | 178.8 | 19.4 | 193.7 | 21.3 | 197.4 | 22.3 | |
| 115 | 113.2 | 12.5 | 137.6 | 15.4 | 150.3 | 16.9 | 165.6 | 18.8 | 171.8 | 20.0 | 175.1 | 20.9 | |
| 118 | 113.2 | 12.9 | 129.8 | 14.8 | 141.1 | 16.2 | 151.3 | 17.7 | 155.8 | 18.6 | 158.8 | 19.4 | |
| 125 | 93.3 | 10.9 | 99.3 | 11.7 | 102.8 | 12.2 | 106.7 | 12.9 | 109.9 | 13.6 | 112.0 | 14.2 | |

NOTE - Power Input = Compressor + Outdoor Fan Motor.
 MBH = 1000 BTUs per hour.

COOLING CAPACITY - TWO MODULE | VRB192L4

| Combination (%) | Outdoor Temperature °F (Dry Bulb) | Indoor Temperature - °F (Dry Bulb / Wet Bulb) | | | | | | | | | | | |
|-----------------|-----------------------------------|---|-------------|------------|-------------|------------|-------------|------------|-------------|------------|-------------|------------|-------------|
| | | 67 / 57 | | 71 / 60 | | 75 / 63 | | 80 / 67 | | 85 / 71 | | 90 / 75 | |
| | | Total Cap. | Power Input | Total Cap. | Power Input | Total Cap. | Power Input | Total Cap. | Power Input | Total Cap. | Power Input | Total Cap. | Power Input |
| | | MBH | KW | MBH | KW | MBH | KW | MBH | KW | MBH | KW | MBH | KW |
| 90% | -10 | 101.9 | 3.4 | 123.8 | 4.2 | 144.4 | 5.0 | 172.8 | 6.0 | 202.5 | 7.2 | 230.8 | 8.5 |
| | -5 | 101.9 | 3.6 | 123.8 | 4.5 | 144.4 | 5.3 | 172.8 | 6.4 | 202.5 | 7.7 | 230.8 | 9.0 |
| | 10 | 101.9 | 3.7 | 123.8 | 4.6 | 144.4 | 5.4 | 172.8 | 6.6 | 202.5 | 7.9 | 230.8 | 9.2 |
| | 15 | 101.9 | 3.8 | 123.8 | 4.7 | 144.4 | 5.5 | 172.8 | 6.7 | 202.5 | 8.0 | 230.8 | 9.4 |
| | 20 | 101.9 | 3.9 | 123.8 | 4.8 | 144.4 | 5.6 | 172.8 | 6.9 | 202.5 | 8.2 | 230.8 | 9.6 |
| | 25 | 101.9 | 4.0 | 123.8 | 4.9 | 144.4 | 5.8 | 172.8 | 7.0 | 202.5 | 8.4 | 230.8 | 9.8 |
| | 30 | 101.9 | 4.1 | 123.8 | 5.0 | 144.4 | 5.9 | 172.8 | 7.2 | 202.5 | 8.6 | 230.8 | 10.0 |
| | 35 | 101.9 | 4.2 | 123.8 | 5.1 | 144.4 | 6.0 | 172.8 | 7.3 | 202.5 | 8.8 | 230.8 | 10.3 |
| | 40 | 101.9 | 4.3 | 123.8 | 5.2 | 144.4 | 6.2 | 172.8 | 7.5 | 202.5 | 9.0 | 230.8 | 10.5 |
| | 45 | 101.9 | 4.4 | 123.8 | 5.4 | 144.4 | 6.3 | 172.8 | 7.7 | 202.5 | 9.2 | 230.8 | 10.8 |
| | 50 | 101.9 | 4.5 | 123.8 | 5.5 | 144.4 | 6.5 | 172.8 | 7.9 | 202.5 | 9.5 | 230.8 | 11.1 |
| | 55 | 101.9 | 4.6 | 123.8 | 5.6 | 144.4 | 6.7 | 172.8 | 8.1 | 202.5 | 9.7 | 230.8 | 11.4 |
| | 60 | 101.9 | 4.7 | 123.8 | 5.8 | 144.4 | 6.8 | 172.8 | 8.3 | 202.5 | 10.0 | 230.8 | 11.7 |
| | 65 | 101.9 | 4.8 | 123.8 | 6.0 | 144.4 | 7.0 | 172.8 | 8.6 | 202.5 | 10.3 | 230.8 | 12.0 |
| | 70 | 101.9 | 5.3 | 123.8 | 6.5 | 144.4 | 7.7 | 172.8 | 9.3 | 202.5 | 11.2 | 230.8 | 13.1 |
| | 75 | 101.9 | 5.8 | 123.8 | 7.1 | 144.4 | 8.4 | 172.8 | 10.2 | 202.5 | 12.3 | 230.8 | 14.3 |
| | 80 | 101.9 | 6.4 | 123.8 | 7.8 | 144.4 | 9.2 | 172.8 | 11.2 | 202.5 | 13.5 | 230.8 | 15.7 |
| | 85 | 101.9 | 7.0 | 123.8 | 8.6 | 144.4 | 10.1 | 172.8 | 12.3 | 202.5 | 14.8 | 229.4 | 17.1 |
| | 90 | 101.9 | 7.6 | 123.8 | 9.4 | 144.4 | 11.1 | 172.8 | 13.5 | 202.5 | 16.2 | 226.1 | 18.5 |
| | 95 | 101.9 | 8.3 | 123.8 | 10.3 | 144.4 | 12.1 | 172.8 | 14.8 | 202.5 | 17.7 | 224.3 | 20.0 |
| 100 | 101.9 | 9.1 | 123.8 | 11.2 | 144.4 | 13.2 | 172.8 | 16.0 | 202.3 | 19.2 | 218.0 | 21.1 | |
| 105 | 101.9 | 9.8 | 123.8 | 12.0 | 144.4 | 14.2 | 172.8 | 17.3 | 196.6 | 20.1 | 209.5 | 21.8 | |
| 110 | 101.9 | 10.5 | 123.8 | 12.9 | 144.4 | 15.2 | 171.6 | 18.4 | 185.9 | 20.3 | 197.4 | 21.9 | |
| 115 | 101.9 | 11.1 | 123.8 | 13.6 | 144.3 | 16.1 | 158.4 | 17.9 | 171.8 | 19.7 | 175.1 | 20.5 | |
| 118 | 101.9 | 11.4 | 123.8 | 14.0 | 135.1 | 15.4 | 148.8 | 17.2 | 155.8 | 18.3 | 158.8 | 19.1 | |
| 125 | 89.0 | 10.3 | 99.3 | 11.5 | 102.8 | 12.1 | 106.7 | 12.8 | 109.9 | 13.4 | 112.0 | 14.0 | |
| 80% | -10 | 90.6 | 3.0 | 110.0 | 3.7 | 128.4 | 4.3 | 153.6 | 5.3 | 180.0 | 6.3 | 205.2 | 7.4 |
| | -5 | 90.6 | 3.2 | 110.0 | 3.9 | 128.4 | 4.6 | 153.6 | 5.6 | 180.0 | 6.7 | 205.2 | 7.9 |
| | 10 | 90.6 | 3.2 | 110.0 | 4.0 | 128.4 | 4.7 | 153.6 | 5.7 | 180.0 | 6.9 | 205.2 | 8.0 |
| | 15 | 90.6 | 3.3 | 110.0 | 4.1 | 128.4 | 4.8 | 153.6 | 5.9 | 180.0 | 7.0 | 205.2 | 8.2 |
| | 20 | 90.6 | 3.4 | 110.0 | 4.2 | 128.4 | 4.9 | 153.6 | 6.0 | 180.0 | 7.2 | 205.2 | 8.4 |
| | 25 | 90.6 | 3.5 | 110.0 | 4.3 | 128.4 | 5.0 | 153.6 | 6.1 | 180.0 | 7.4 | 205.2 | 8.6 |
| | 30 | 90.6 | 3.6 | 110.0 | 4.4 | 128.4 | 5.2 | 153.6 | 6.3 | 180.0 | 7.5 | 205.2 | 8.8 |
| | 35 | 90.6 | 3.6 | 110.0 | 4.5 | 128.4 | 5.3 | 153.6 | 6.4 | 180.0 | 7.7 | 205.2 | 9.0 |
| | 40 | 90.6 | 3.7 | 110.0 | 4.6 | 128.4 | 5.4 | 153.6 | 6.6 | 180.0 | 7.9 | 205.2 | 9.2 |
| | 45 | 90.6 | 3.8 | 110.0 | 4.7 | 128.4 | 5.5 | 153.6 | 6.8 | 180.0 | 8.1 | 205.2 | 9.5 |
| | 50 | 90.6 | 3.9 | 110.0 | 4.8 | 128.4 | 5.7 | 153.6 | 6.9 | 180.0 | 8.3 | 205.2 | 9.7 |
| | 55 | 90.6 | 4.0 | 110.0 | 4.9 | 128.4 | 5.8 | 153.6 | 7.1 | 180.0 | 8.5 | 205.2 | 10.0 |
| | 60 | 90.6 | 4.1 | 110.0 | 5.1 | 128.4 | 6.0 | 153.6 | 7.3 | 180.0 | 8.8 | 205.2 | 10.2 |
| | 65 | 90.6 | 4.2 | 110.0 | 5.2 | 128.4 | 6.2 | 153.6 | 7.5 | 180.0 | 9.0 | 205.2 | 10.5 |
| | 70 | 90.6 | 4.6 | 110.0 | 5.7 | 128.4 | 6.7 | 153.6 | 8.2 | 180.0 | 9.8 | 205.2 | 11.4 |
| | 75 | 90.6 | 5.1 | 110.0 | 6.2 | 128.4 | 7.4 | 153.6 | 9.0 | 180.0 | 10.7 | 205.2 | 12.5 |
| | 80 | 90.6 | 5.6 | 110.0 | 6.8 | 128.4 | 8.1 | 153.6 | 9.8 | 180.0 | 11.8 | 205.2 | 13.8 |
| | 85 | 90.6 | 6.1 | 110.0 | 7.5 | 128.4 | 8.9 | 153.6 | 10.8 | 180.0 | 12.9 | 205.2 | 15.1 |
| | 90 | 90.6 | 6.7 | 110.0 | 8.2 | 128.4 | 9.7 | 153.6 | 11.8 | 180.0 | 14.2 | 205.2 | 16.6 |
| | 95 | 90.6 | 7.3 | 110.0 | 9.0 | 128.4 | 10.6 | 153.6 | 12.9 | 180.0 | 15.5 | 205.2 | 18.1 |
| 100 | 90.6 | 7.9 | 110.0 | 9.8 | 128.4 | 11.5 | 153.6 | 14.1 | 180.0 | 16.8 | 205.2 | 19.7 | |
| 105 | 90.6 | 8.6 | 110.0 | 10.5 | 128.4 | 12.5 | 153.6 | 15.2 | 180.0 | 18.2 | 199.9 | 20.6 | |
| 110 | 90.6 | 9.2 | 110.0 | 11.3 | 128.4 | 13.3 | 153.6 | 16.2 | 177.4 | 19.2 | 189.0 | 20.8 | |
| 115 | 90.6 | 9.7 | 110.0 | 11.9 | 128.4 | 14.1 | 151.2 | 16.9 | 163.8 | 18.6 | 175.1 | 20.2 | |
| 118 | 90.6 | 10.0 | 110.0 | 12.3 | 128.4 | 14.5 | 141.6 | 16.2 | 154.0 | 17.9 | 158.8 | 18.9 | |
| 125 | 84.8 | 9.7 | 94.3 | 10.8 | 102.8 | 11.9 | 106.7 | 12.6 | 109.9 | 13.2 | 112.0 | 13.8 | |

NOTE - Power Input = Compressor + Outdoor Fan Motor.
 MBH = 1000 BTUs per hour.

COOLING CAPACITY - TWO MODULE | VRB192L4

| Combination (%) | Outdoor Temperature °F (Dry Bulb) | Indoor Temperature - °F (Dry Bulb / Wet Bulb) | | | | | | | | | | | |
|-----------------|-----------------------------------|---|-------------|------------|-------------|------------|-------------|------------|-------------|------------|-------------|------------|-------------|
| | | 67 / 57 | | 71 / 60 | | 75 / 63 | | 80 / 67 | | 85 / 71 | | 90 / 75 | |
| | | Total Cap. | Power Input | Total Cap. | Power Input | Total Cap. | Power Input | Total Cap. | Power Input | Total Cap. | Power Input | Total Cap. | Power Input |
| | | MBH | kW | MBH | kW | MBH | kW | MBH | kW | MBH | kW | MBH | kW |
| 70% | -10 | 79.2 | 2.6 | 96.3 | 3.2 | 112.3 | 3.7 | 134.4 | 4.6 | 157.5 | 5.5 | 179.5 | 6.4 |
| | -5 | 79.2 | 2.7 | 96.3 | 3.4 | 112.3 | 4.0 | 134.4 | 4.9 | 157.5 | 5.8 | 179.5 | 6.8 |
| | 10 | 79.2 | 2.8 | 96.3 | 3.4 | 112.3 | 4.1 | 134.4 | 5.0 | 157.5 | 5.9 | 179.5 | 6.9 |
| | 15 | 79.2 | 2.9 | 96.3 | 3.5 | 112.3 | 4.2 | 134.4 | 5.1 | 157.5 | 6.1 | 179.5 | 7.1 |
| | 20 | 79.2 | 2.9 | 96.3 | 3.6 | 112.3 | 4.2 | 134.4 | 5.2 | 157.5 | 6.2 | 179.5 | 7.2 |
| | 25 | 79.2 | 3.0 | 96.3 | 3.7 | 112.3 | 4.3 | 134.4 | 5.3 | 157.5 | 6.3 | 179.5 | 7.4 |
| | 30 | 79.2 | 3.1 | 96.3 | 3.8 | 112.3 | 4.4 | 134.4 | 5.4 | 157.5 | 6.5 | 179.5 | 7.6 |
| | 35 | 79.2 | 3.1 | 96.3 | 3.9 | 112.3 | 4.6 | 134.4 | 5.5 | 157.5 | 6.6 | 179.5 | 7.8 |
| | 40 | 79.2 | 3.2 | 96.3 | 4.0 | 112.3 | 4.7 | 134.4 | 5.7 | 157.5 | 6.8 | 179.5 | 8.0 |
| | 45 | 79.2 | 3.3 | 96.3 | 4.0 | 112.3 | 4.8 | 134.4 | 5.8 | 157.5 | 7.0 | 179.5 | 8.2 |
| | 50 | 79.2 | 3.4 | 96.3 | 4.2 | 112.3 | 4.9 | 134.4 | 6.0 | 157.5 | 7.2 | 179.5 | 8.4 |
| | 55 | 79.2 | 3.5 | 96.3 | 4.3 | 112.3 | 5.0 | 134.4 | 6.1 | 157.5 | 7.4 | 179.5 | 8.6 |
| | 60 | 79.2 | 3.6 | 96.3 | 4.4 | 112.3 | 5.2 | 134.4 | 6.3 | 157.5 | 7.6 | 179.5 | 8.8 |
| | 65 | 79.2 | 3.7 | 96.3 | 4.5 | 112.3 | 5.3 | 134.4 | 6.5 | 157.5 | 7.8 | 179.5 | 9.1 |
| | 70 | 79.2 | 4.0 | 96.3 | 4.9 | 112.3 | 5.8 | 134.4 | 7.0 | 157.5 | 8.4 | 179.5 | 9.9 |
| | 75 | 79.2 | 4.4 | 96.3 | 5.4 | 112.3 | 6.3 | 134.4 | 7.7 | 157.5 | 9.3 | 179.5 | 10.8 |
| | 80 | 79.2 | 4.8 | 96.3 | 5.9 | 112.3 | 7.0 | 134.4 | 8.5 | 157.5 | 10.2 | 179.5 | 11.9 |
| | 85 | 79.2 | 5.3 | 96.3 | 6.5 | 112.3 | 7.6 | 134.4 | 9.3 | 157.5 | 11.2 | 179.5 | 13.0 |
| | 90 | 79.2 | 5.8 | 96.3 | 7.1 | 112.3 | 8.4 | 134.4 | 10.2 | 157.5 | 12.2 | 179.5 | 14.3 |
| | 95 | 79.2 | 6.3 | 96.3 | 7.7 | 112.3 | 9.2 | 134.4 | 11.2 | 157.5 | 13.4 | 179.5 | 15.6 |
| 100 | 79.2 | 6.9 | 96.3 | 8.4 | 112.3 | 9.9 | 134.4 | 12.1 | 157.5 | 14.5 | 179.5 | 17.0 | |
| 105 | 79.2 | 7.4 | 96.3 | 9.1 | 112.3 | 10.7 | 134.4 | 13.1 | 157.5 | 15.7 | 179.5 | 18.3 | |
| 110 | 79.2 | 7.9 | 96.3 | 9.7 | 112.3 | 11.5 | 134.4 | 14.0 | 157.5 | 16.8 | 179.4 | 19.6 | |
| 115 | 79.2 | 8.4 | 96.3 | 10.3 | 112.3 | 12.2 | 134.4 | 14.8 | 155.4 | 17.5 | 165.5 | 19.0 | |
| 118 | 79.2 | 8.6 | 96.3 | 10.6 | 112.3 | 12.5 | 134.4 | 15.2 | 145.6 | 16.8 | 155.5 | 18.2 | |
| 125 | 77.5 | 8.8 | 89.2 | 10.2 | 97.0 | 11.1 | 106.7 | 12.4 | 109.9 | 13.0 | 112.0 | 13.6 | |
| 60% | -10 | 67.9 | 2.2 | 82.5 | 2.7 | 96.3 | 3.2 | 115.2 | 3.9 | 135.0 | 4.6 | 153.9 | 5.4 |
| | -5 | 67.9 | 2.3 | 82.5 | 2.8 | 96.3 | 3.4 | 115.2 | 4.1 | 135.0 | 4.9 | 153.9 | 5.7 |
| | 10 | 67.9 | 2.4 | 82.5 | 2.9 | 96.3 | 3.4 | 115.2 | 4.2 | 135.0 | 5.0 | 153.9 | 5.9 |
| | 15 | 67.9 | 2.4 | 82.5 | 3.0 | 96.3 | 3.5 | 115.2 | 4.3 | 135.0 | 5.1 | 153.9 | 6.0 |
| | 20 | 67.9 | 2.5 | 82.5 | 3.0 | 96.3 | 3.6 | 115.2 | 4.4 | 135.0 | 5.2 | 153.9 | 6.1 |
| | 25 | 67.9 | 2.5 | 82.5 | 3.1 | 96.3 | 3.7 | 115.2 | 4.5 | 135.0 | 5.4 | 153.9 | 6.3 |
| | 30 | 67.9 | 2.6 | 82.5 | 3.2 | 96.3 | 3.8 | 115.2 | 4.6 | 135.0 | 5.5 | 153.9 | 6.4 |
| | 35 | 67.9 | 2.7 | 82.5 | 3.3 | 96.3 | 3.8 | 115.2 | 4.7 | 135.0 | 5.6 | 153.9 | 6.6 |
| | 40 | 67.9 | 2.7 | 82.5 | 3.3 | 96.3 | 3.9 | 115.2 | 4.8 | 135.0 | 5.8 | 153.9 | 6.7 |
| | 45 | 67.9 | 2.8 | 82.5 | 3.4 | 96.3 | 4.0 | 115.2 | 4.9 | 135.0 | 5.9 | 153.9 | 6.9 |
| | 50 | 67.9 | 2.9 | 82.5 | 3.5 | 96.3 | 4.1 | 115.2 | 5.1 | 135.0 | 6.1 | 153.9 | 7.1 |
| | 55 | 67.9 | 2.9 | 82.5 | 3.6 | 96.3 | 4.3 | 115.2 | 5.2 | 135.0 | 6.2 | 153.9 | 7.3 |
| | 60 | 67.9 | 3.0 | 82.5 | 3.7 | 96.3 | 4.4 | 115.2 | 5.3 | 135.0 | 6.4 | 153.9 | 7.5 |
| | 65 | 67.9 | 3.1 | 82.5 | 3.8 | 96.3 | 4.5 | 115.2 | 5.5 | 135.0 | 6.6 | 153.9 | 7.7 |
| | 70 | 67.9 | 3.4 | 82.5 | 4.1 | 96.3 | 4.9 | 115.2 | 6.0 | 135.0 | 7.1 | 153.9 | 8.3 |
| | 75 | 67.9 | 3.7 | 82.5 | 4.5 | 96.3 | 5.4 | 115.2 | 6.5 | 135.0 | 7.8 | 153.9 | 9.1 |
| | 80 | 67.9 | 4.1 | 82.5 | 5.0 | 96.3 | 5.9 | 115.2 | 7.2 | 135.0 | 8.6 | 153.9 | 10.0 |
| | 85 | 67.9 | 4.5 | 82.5 | 5.5 | 96.3 | 6.5 | 115.2 | 7.9 | 135.0 | 9.4 | 153.9 | 11.0 |
| | 90 | 67.9 | 4.9 | 82.5 | 6.0 | 96.3 | 7.1 | 115.2 | 8.6 | 135.0 | 10.3 | 153.9 | 12.1 |
| | 95 | 67.9 | 5.3 | 82.5 | 6.5 | 96.3 | 7.7 | 115.2 | 9.4 | 135.0 | 11.3 | 153.9 | 13.2 |
| 100 | 67.9 | 5.8 | 82.5 | 7.1 | 96.3 | 8.4 | 115.2 | 10.2 | 135.0 | 12.3 | 153.9 | 14.3 | |
| 105 | 67.9 | 6.3 | 82.5 | 7.7 | 96.3 | 9.1 | 115.2 | 11.1 | 135.0 | 13.3 | 153.9 | 15.5 | |
| 110 | 67.9 | 6.7 | 82.5 | 8.2 | 96.3 | 9.7 | 115.2 | 11.8 | 135.0 | 14.2 | 153.9 | 16.6 | |
| 115 | 67.9 | 7.1 | 82.5 | 8.7 | 96.3 | 10.3 | 115.2 | 12.5 | 135.0 | 15.0 | 153.9 | 17.5 | |
| 118 | 67.9 | 7.3 | 82.5 | 8.9 | 96.3 | 10.6 | 115.2 | 12.9 | 135.0 | 15.4 | 145.9 | 17.0 | |
| 125 | 67.9 | 7.6 | 82.5 | 9.3 | 91.0 | 10.4 | 100.2 | 11.6 | 109.3 | 12.8 | 112.0 | 13.4 | |

NOTE - Power Input = Compressor + Outdoor Fan Motor.
 MBH = 1000 BTUs per hour.

COOLING CAPACITY - TWO MODULE | VRB192L4

| Combination (%) | Outdoor Temperature °F (Dry Bulb) | Indoor Temperature - °F (Dry Bulb / Wet Bulb) | | | | | | | | | | | |
|-----------------|-----------------------------------|---|-------------|------------|-------------|------------|-------------|------------|-------------|------------|-------------|------------|-------------|
| | | 67 / 57 | | 71 / 60 | | 75 / 63 | | 80 / 67 | | 85 / 71 | | 90 / 75 | |
| | | Total Cap. | Power Input | Total Cap. | Power Input | Total Cap. | Power Input | Total Cap. | Power Input | Total Cap. | Power Input | Total Cap. | Power Input |
| | | MBH | kW | MBH | kW | MBH | kW | MBH | kW | MBH | kW | MBH | kW |
| 50% | -10 | 53.8 | 1.7 | 68.8 | 2.2 | 80.2 | 2.6 | 96.0 | 3.2 | 112.5 | 3.8 | 128.2 | 4.4 |
| | -5 | 56.6 | 1.9 | 68.8 | 2.3 | 80.2 | 2.8 | 96.0 | 3.4 | 112.5 | 4.0 | 128.2 | 4.7 |
| | 10 | 56.6 | 1.9 | 68.8 | 2.4 | 80.2 | 2.8 | 96.0 | 3.4 | 112.5 | 4.1 | 128.2 | 4.8 |
| | 15 | 56.6 | 2.0 | 68.8 | 2.4 | 80.2 | 2.9 | 96.0 | 3.5 | 112.5 | 4.2 | 128.2 | 4.9 |
| | 20 | 56.6 | 2.0 | 68.8 | 2.5 | 80.2 | 2.9 | 96.0 | 3.6 | 112.5 | 4.3 | 128.2 | 5.0 |
| | 25 | 56.6 | 2.1 | 68.8 | 2.6 | 80.2 | 3.0 | 96.0 | 3.7 | 112.5 | 4.4 | 128.2 | 5.1 |
| | 30 | 56.6 | 2.1 | 68.8 | 2.6 | 80.2 | 3.1 | 96.0 | 3.8 | 112.5 | 4.5 | 128.2 | 5.3 |
| | 35 | 56.6 | 2.2 | 68.8 | 2.7 | 80.2 | 3.2 | 96.0 | 3.9 | 112.5 | 4.6 | 128.2 | 5.4 |
| | 40 | 56.6 | 2.2 | 68.8 | 2.7 | 80.2 | 3.2 | 96.0 | 3.9 | 112.5 | 4.7 | 128.2 | 5.5 |
| | 45 | 56.6 | 2.3 | 68.8 | 2.8 | 80.2 | 3.3 | 96.0 | 4.0 | 112.5 | 4.8 | 128.2 | 5.7 |
| | 50 | 56.6 | 2.3 | 68.8 | 2.9 | 80.2 | 3.4 | 96.0 | 4.2 | 112.5 | 5.0 | 128.2 | 5.8 |
| | 55 | 56.6 | 2.4 | 68.8 | 3.0 | 80.2 | 3.5 | 96.0 | 4.3 | 112.5 | 5.1 | 128.2 | 6.0 |
| | 60 | 56.6 | 2.5 | 68.8 | 3.0 | 80.2 | 3.6 | 96.0 | 4.4 | 112.5 | 5.2 | 128.2 | 6.1 |
| | 65 | 56.6 | 2.5 | 68.8 | 3.1 | 80.2 | 3.7 | 96.0 | 4.5 | 112.5 | 5.4 | 128.2 | 6.3 |
| | 70 | 56.6 | 2.8 | 68.8 | 3.4 | 80.2 | 4.0 | 96.0 | 4.9 | 112.5 | 5.9 | 128.2 | 6.8 |
| | 75 | 56.6 | 3.0 | 68.8 | 3.7 | 80.2 | 4.4 | 96.0 | 5.4 | 112.5 | 6.4 | 128.2 | 7.5 |
| | 80 | 56.6 | 3.3 | 68.8 | 4.1 | 80.2 | 4.8 | 96.0 | 5.9 | 112.5 | 7.1 | 128.2 | 8.2 |
| | 85 | 56.6 | 3.7 | 68.8 | 4.5 | 80.2 | 5.3 | 96.0 | 6.5 | 112.5 | 7.8 | 128.2 | 9.1 |
| | 90 | 56.6 | 4.0 | 68.8 | 4.9 | 80.2 | 5.8 | 96.0 | 7.1 | 112.5 | 8.5 | 128.2 | 9.9 |
| | 95 | 56.6 | 4.4 | 68.8 | 5.4 | 80.2 | 6.4 | 96.0 | 7.7 | 112.5 | 9.3 | 128.2 | 10.8 |
| 100 | 56.6 | 4.8 | 68.8 | 5.8 | 80.2 | 6.9 | 96.0 | 8.4 | 112.5 | 10.1 | 128.2 | 11.8 | |
| 105 | 56.6 | 5.1 | 68.8 | 6.3 | 80.2 | 7.5 | 96.0 | 9.1 | 112.5 | 10.9 | 128.2 | 12.7 | |
| 110 | 56.6 | 5.5 | 68.8 | 6.8 | 80.2 | 8.0 | 96.0 | 9.7 | 112.5 | 11.7 | 128.2 | 13.6 | |
| 115 | 56.6 | 5.8 | 68.8 | 7.2 | 80.2 | 8.4 | 96.0 | 10.3 | 112.5 | 12.3 | 128.2 | 14.4 | |
| 118 | 56.6 | 6.0 | 68.8 | 7.4 | 80.2 | 8.7 | 96.0 | 10.6 | 112.5 | 12.7 | 128.2 | 14.8 | |
| 125 | 56.6 | 6.2 | 68.8 | 7.7 | 80.2 | 9.1 | 93.0 | 10.7 | 100.9 | 11.8 | 107.9 | 12.8 | |

NOTE - Power Input = Compressor + Outdoor Fan Motor.
 MBH = 1000 BTUs per hour.

HEATING CAPACITY - TWO MODULE | VRB192L4

| Combination (%) | Outdoor Temperature (°F) | | Indoor Temperature - °F Dry Bulb | | | | | | | | | | | |
|-----------------|--------------------------|----------|----------------------------------|----------------|----------------|----------------|----------------|----------------|----------------|----------------|----------------|----------------|----------------|----------------|
| | | | 61 | | 64 | | 67 | | 70 | | 73 | | 75 | |
| | Dry Bulb | Wet Bulb | Total Cap. MBH | Power Input kW | Total Cap. MBH | Power Input kW | Total Cap. MBH | Power Input kW | Total Cap. MBH | Power Input kW | Total Cap. MBH | Power Input kW | Total Cap. MBH | Power Input kW |
| 130% | -22 | -23 | 141.6 | 22.5 | 138.8 | 23.0 | 136.3 | 23.5 | 133.8 | 24.1 | 131.6 | 24.6 | 130.2 | 25.0 |
| | -17 | -18 | 171.5 | 24.0 | 168.0 | 24.5 | 165.0 | 25.1 | 162.0 | 25.7 | 159.4 | 26.3 | 157.7 | 26.7 |
| | -13 | -14 | 196.4 | 25.5 | 193.9 | 26.2 | 191.8 | 26.8 | 189.7 | 27.6 | 187.9 | 28.3 | 186.8 | 28.8 |
| | -8 | -9 | 209.2 | 26.2 | 207.2 | 26.9 | 205.6 | 27.6 | 204.0 | 28.4 | 202.6 | 29.2 | 201.8 | 29.8 |
| | -3 | -4 | 217.1 | 26.6 | 215.3 | 27.4 | 213.8 | 28.1 | 212.4 | 28.9 | 211.1 | 29.7 | 210.4 | 30.3 |
| | 2 | 1 | 225.0 | 27.2 | 223.3 | 27.9 | 221.8 | 28.7 | 220.5 | 29.5 | 219.3 | 30.3 | 218.6 | 30.9 |
| | 7 | 6 | 233.6 | 27.4 | 231.9 | 28.2 | 230.4 | 29.0 | 229.1 | 29.8 | 227.9 | 30.6 | 227.2 | 31.2 |
| | 12 | 10 | 241.9 | 27.7 | 240.3 | 28.5 | 238.8 | 29.3 | 237.5 | 30.1 | 236.2 | 30.9 | 235.5 | 31.5 |
| | 17 | 15 | 254.4 | 28.2 | 252.8 | 29.0 | 251.3 | 29.7 | 249.9 | 30.6 | 248.6 | 31.4 | 247.9 | 31.7 |
| | 22 | 20 | 268.1 | 28.8 | 266.5 | 29.5 | 265.0 | 30.3 | 263.5 | 31.1 | 263.1 | 31.4 | 251.6 | 29.3 |
| | 27 | 24 | 280.9 | 29.3 | 279.2 | 30.1 | 277.6 | 30.9 | 274.7 | 31.0 | 263.1 | 28.8 | 251.6 | 26.8 |
| | 32 | 29 | 297.0 | 30.0 | 295.2 | 30.8 | 291.3 | 30.6 | 280.8 | 28.8 | 263.1 | 25.8 | 251.6 | 23.9 |
| | 37 | 34 | 316.3 | 30.9 | 308.6 | 30.2 | 298.5 | 28.5 | 280.8 | 25.7 | 263.1 | 22.9 | 251.6 | 21.5 |
| | 42 | 38 | 324.7 | 30.1 | 315.2 | 28.7 | 298.5 | 26.1 | 280.8 | 23.4 | 263.1 | 21.3 | 251.6 | 20.1 |
| | 47 | 43 | 333.0 | 28.1 | 315.2 | 25.5 | 298.5 | 23.1 | 280.8 | 21.2 | 263.1 | 19.4 | 251.6 | 18.3 |
| | 52 | 47 | 333.0 | 25.7 | 315.2 | 23.2 | 298.5 | 21.4 | 280.8 | 19.7 | 263.1 | 18.1 | 251.6 | 17.1 |
| | 57 | 52 | 333.0 | 22.8 | 315.2 | 21.1 | 298.5 | 19.5 | 280.8 | 18.0 | 263.1 | 16.5 | 251.6 | 15.5 |
| | 62 | 56 | 333.0 | 21.1 | 315.2 | 19.6 | 298.5 | 18.1 | 280.8 | 16.7 | 263.1 | 15.2 | 251.6 | 14.4 |
| | 67 | 61 | 333.0 | 19.2 | 315.2 | 17.8 | 298.5 | 16.4 | 280.8 | 15.1 | 263.1 | 13.8 | 251.6 | 13.2 |
| | 72 | 66 | 333.0 | 17.4 | 315.2 | 16.1 | 298.5 | 14.8 | 280.8 | 13.6 | 263.1 | 12.6 | 251.6 | 12.0 |
| 75 | 69 | 333.0 | 16.3 | 315.2 | 15.0 | 298.5 | 13.9 | 280.8 | 12.9 | 263.1 | 12.0 | 251.6 | 11.4 | |
| 80 | 74 | 333.0 | 14.7 | 315.2 | 13.6 | 298.5 | 12.7 | 280.8 | 11.8 | 263.1 | 10.9 | 251.6 | 10.4 | |
| 120% | -22 | -23 | 139.7 | 22.7 | 137.0 | 23.2 | 134.6 | 23.7 | 132.3 | 24.3 | 130.1 | 24.9 | 128.8 | 25.3 |
| | -17 | -18 | 168.7 | 24.3 | 165.4 | 24.9 | 162.6 | 25.4 | 159.8 | 26.0 | 157.3 | 26.7 | 155.8 | 27.1 |
| | -13 | -14 | 193.8 | 25.9 | 191.5 | 26.6 | 189.5 | 27.3 | 187.7 | 28.0 | 186.0 | 28.8 | 185.0 | 29.3 |
| | -8 | -9 | 206.8 | 26.7 | 205.1 | 27.4 | 203.5 | 28.2 | 202.1 | 29.0 | 200.9 | 29.8 | 200.2 | 30.3 |
| | -3 | -4 | 214.9 | 27.1 | 213.3 | 27.9 | 211.9 | 28.7 | 210.6 | 29.5 | 209.5 | 30.3 | 208.9 | 30.9 |
| | 2 | 1 | 222.8 | 27.7 | 221.3 | 28.5 | 220.0 | 29.3 | 218.7 | 30.1 | 217.7 | 31.0 | 216.9 | 31.5 |
| | 7 | 6 | 231.4 | 28.0 | 229.8 | 28.8 | 228.5 | 29.6 | 227.3 | 30.4 | 226.3 | 31.3 | 225.3 | 31.8 |
| | 12 | 10 | 239.7 | 28.4 | 238.2 | 29.2 | 236.9 | 29.9 | 235.7 | 30.8 | 234.6 | 31.6 | 232.2 | 31.1 |
| | 17 | 15 | 252.2 | 28.9 | 250.6 | 29.7 | 249.3 | 30.4 | 248.0 | 31.3 | 242.8 | 30.4 | 232.2 | 28.4 |
| | 22 | 20 | 265.8 | 29.5 | 264.2 | 30.3 | 262.9 | 31.1 | 259.2 | 30.5 | 242.8 | 27.5 | 232.2 | 25.6 |
| | 27 | 24 | 278.5 | 30.1 | 279.0 | 31.1 | 275.6 | 30.8 | 259.2 | 27.9 | 242.8 | 25.1 | 232.2 | 23.2 |
| | 32 | 29 | 295.1 | 30.6 | 291.0 | 30.3 | 275.6 | 27.7 | 259.2 | 25.0 | 242.8 | 22.4 | 232.2 | 21.1 |
| | 37 | 34 | 307.4 | 29.6 | 291.0 | 27.0 | 275.6 | 24.6 | 259.2 | 22.2 | 242.8 | 20.4 | 232.2 | 19.3 |
| | 42 | 38 | 307.4 | 27.1 | 291.0 | 24.6 | 275.6 | 22.4 | 259.2 | 20.7 | 242.8 | 19.0 | 232.2 | 18.0 |
| | 47 | 43 | 307.4 | 24.1 | 291.0 | 22.0 | 275.6 | 20.4 | 259.2 | 18.9 | 242.8 | 17.4 | 232.2 | 16.4 |
| | 52 | 47 | 307.4 | 22.0 | 291.0 | 20.4 | 275.6 | 19.0 | 259.2 | 17.6 | 242.8 | 16.1 | 232.2 | 15.2 |
| | 57 | 52 | 307.4 | 20.1 | 291.0 | 18.6 | 275.6 | 17.3 | 259.2 | 15.9 | 242.8 | 14.6 | 232.2 | 13.9 |
| | 62 | 56 | 307.4 | 18.6 | 291.0 | 17.3 | 275.6 | 16.0 | 259.2 | 14.8 | 242.8 | 13.6 | 232.2 | 13.0 |
| | 67 | 61 | 307.4 | 16.9 | 291.0 | 15.6 | 275.6 | 14.5 | 259.2 | 13.4 | 242.8 | 12.5 | 232.2 | 11.9 |
| | 72 | 66 | 307.4 | 15.2 | 291.0 | 14.1 | 275.6 | 13.2 | 259.2 | 12.3 | 242.8 | 11.4 | 232.2 | 10.9 |
| 75 | 69 | 307.4 | 14.2 | 291.0 | 13.2 | 275.6 | 12.4 | 259.2 | 11.6 | 242.8 | 10.8 | 232.2 | 10.3 | |
| 80 | 74 | 307.4 | 12.9 | 291.0 | 12.1 | 275.6 | 11.3 | 259.2 | 10.6 | 242.8 | 9.9 | 232.2 | 9.4 | |

NOTE - Power Input = Compressor + Outdoor Fan Motor.
 MBH = 1000 BTUs per hour.

HEATING CAPACITY - TWO MODULE | VRB192L4

| Combination (%) | Outdoor Temperature (°F) | | Indoor Temperature - °F Dry Bulb | | | | | | | | | | | |
|-----------------|--------------------------|----------|----------------------------------|----------------|----------------|----------------|----------------|----------------|----------------|----------------|----------------|----------------|----------------|----------------|
| | | | 61 | | 64 | | 67 | | 70 | | 73 | | 75 | |
| | Dry Bulb | Wet Bulb | Total Cap. MBH | Power Input kW | Total Cap. MBH | Power Input kW | Total Cap. MBH | Power Input kW | Total Cap. MBH | Power Input kW | Total Cap. MBH | Power Input kW | Total Cap. MBH | Power Input kW |
| 110% | -22 | -23 | 137.6 | 23.0 | 135.0 | 23.5 | 132.8 | 24.1 | 130.6 | 24.6 | 128.6 | 25.2 | 127.4 | 25.6 |
| | -17 | -18 | 165.7 | 24.7 | 162.7 | 25.3 | 160.0 | 25.8 | 157.4 | 26.4 | 155.1 | 27.1 | 153.7 | 27.5 |
| | -13 | -14 | 191.2 | 26.4 | 189.1 | 27.2 | 187.3 | 27.8 | 185.6 | 28.6 | 184.1 | 29.4 | 183.3 | 29.9 |
| | -8 | -9 | 204.5 | 27.3 | 202.9 | 28.1 | 201.6 | 28.8 | 200.3 | 29.6 | 199.3 | 30.5 | 198.7 | 31.0 |
| | -3 | -4 | 212.6 | 27.8 | 211.2 | 28.6 | 210.0 | 29.4 | 208.9 | 30.2 | 208.0 | 31.1 | 205.9 | 31.3 |
| | 2 | 1 | 220.6 | 28.4 | 219.2 | 29.2 | 218.1 | 30.0 | 217.1 | 30.9 | 215.4 | 31.6 | 212.9 | 31.2 |
| | 7 | 6 | 229.1 | 28.8 | 227.8 | 29.6 | 226.7 | 30.4 | 225.6 | 31.2 | 222.6 | 31.0 | 212.9 | 29.2 |
| | 12 | 10 | 237.5 | 29.1 | 236.1 | 29.9 | 235.0 | 30.7 | 237.6 | 31.9 | 222.6 | 29.1 | 212.9 | 27.3 |
| | 17 | 15 | 249.9 | 29.7 | 248.5 | 30.5 | 247.9 | 31.1 | 237.6 | 29.1 | 222.6 | 26.4 | 212.9 | 24.6 |
| | 22 | 20 | 263.4 | 30.3 | 261.4 | 30.7 | 252.6 | 29.0 | 237.6 | 26.3 | 222.6 | 23.6 | 212.9 | 22.1 |
| | 27 | 24 | 275.0 | 30.3 | 266.7 | 28.9 | 252.6 | 26.5 | 237.6 | 23.9 | 222.6 | 21.6 | 212.9 | 20.5 |
| | 32 | 29 | 281.8 | 28.4 | 266.7 | 25.9 | 252.6 | 23.6 | 237.6 | 21.5 | 222.6 | 19.8 | 212.9 | 18.8 |
| | 37 | 34 | 281.8 | 25.2 | 266.7 | 23.0 | 252.6 | 21.2 | 237.6 | 19.6 | 222.6 | 18.1 | 212.9 | 17.2 |
| | 42 | 38 | 281.8 | 22.9 | 266.7 | 21.2 | 252.6 | 19.8 | 237.6 | 18.3 | 222.6 | 16.9 | 212.9 | 16.0 |
| | 47 | 43 | 281.8 | 20.7 | 266.7 | 19.3 | 252.6 | 18.0 | 237.6 | 16.7 | 222.6 | 15.4 | 212.9 | 14.6 |
| | 52 | 47 | 281.8 | 19.3 | 266.7 | 18.0 | 252.6 | 16.7 | 237.6 | 15.5 | 222.6 | 14.3 | 212.9 | 13.6 |
| | 57 | 52 | 281.8 | 17.5 | 266.7 | 16.3 | 252.6 | 15.2 | 237.6 | 14.1 | 222.6 | 13.1 | 212.9 | 12.5 |
| | 62 | 56 | 281.8 | 16.3 | 266.7 | 15.1 | 252.6 | 14.1 | 237.6 | 13.2 | 222.6 | 12.3 | 212.9 | 11.7 |
| | 67 | 61 | 281.8 | 14.7 | 266.7 | 13.7 | 252.6 | 12.9 | 237.6 | 12.0 | 222.6 | 11.2 | 212.9 | 10.7 |
| | 72 | 66 | 281.8 | 13.2 | 266.7 | 12.4 | 252.6 | 11.7 | 237.6 | 11.0 | 222.6 | 10.3 | 212.9 | 9.8 |
| 75 | 69 | 281.8 | 12.5 | 266.7 | 11.8 | 252.6 | 11.1 | 237.6 | 10.4 | 222.6 | 9.7 | 212.9 | 9.3 | |
| 80 | 74 | 281.8 | 11.4 | 266.7 | 10.7 | 252.6 | 10.1 | 237.6 | 9.5 | 222.6 | 8.9 | 212.9 | 8.5 | |
| 100% | -22 | -23 | 135.2 | 23.3 | 132.8 | 23.9 | 130.8 | 24.4 | 128.7 | 25.0 | 126.9 | 25.6 | 125.8 | 26.0 |
| | -17 | -18 | 162.6 | 25.1 | 159.8 | 25.7 | 157.4 | 26.3 | 155.0 | 26.9 | 152.9 | 27.6 | 151.6 | 28.0 |
| | -13 | -14 | 188.5 | 27.1 | 186.6 | 27.8 | 185.1 | 28.5 | 183.6 | 29.3 | 182.3 | 30.1 | 181.6 | 30.6 |
| | -8 | -9 | 202.1 | 28.0 | 200.7 | 28.8 | 199.6 | 29.6 | 198.6 | 30.5 | 199.8 | 31.6 | 193.5 | 30.8 |
| | -3 | -4 | 210.4 | 28.6 | 209.2 | 29.4 | 208.2 | 30.2 | 207.3 | 31.1 | 202.3 | 30.6 | 193.5 | 29.1 |
| | 2 | 1 | 218.4 | 29.3 | 217.3 | 30.1 | 216.3 | 30.9 | 216.0 | 31.5 | 202.3 | 29.1 | 193.5 | 27.5 |
| | 7 | 6 | 226.9 | 29.7 | 225.8 | 30.5 | 226.5 | 31.5 | 216.0 | 29.5 | 202.3 | 27.0 | 193.5 | 25.4 |
| | 12 | 10 | 235.3 | 30.1 | 234.1 | 30.9 | 229.7 | 30.1 | 216.0 | 27.6 | 202.3 | 25.1 | 193.5 | 23.4 |
| | 17 | 15 | 249.2 | 30.9 | 242.5 | 29.7 | 229.7 | 27.4 | 216.0 | 24.9 | 202.3 | 22.5 | 193.5 | 21.1 |
| | 22 | 20 | 256.1 | 29.2 | 242.5 | 26.8 | 229.7 | 24.6 | 216.0 | 22.3 | 202.3 | 20.5 | 193.5 | 19.4 |
| | 27 | 24 | 256.1 | 26.7 | 242.5 | 24.4 | 229.7 | 22.3 | 216.0 | 20.6 | 202.3 | 19.1 | 193.5 | 18.1 |
| | 32 | 29 | 256.1 | 23.8 | 242.5 | 21.8 | 229.7 | 20.3 | 216.0 | 18.9 | 202.3 | 17.5 | 193.5 | 16.6 |
| | 37 | 34 | 256.1 | 21.2 | 242.5 | 19.9 | 229.7 | 18.6 | 216.0 | 17.3 | 202.3 | 15.9 | 193.5 | 15.1 |
| | 42 | 38 | 256.1 | 19.8 | 242.5 | 18.5 | 229.7 | 17.3 | 216.0 | 16.0 | 202.3 | 14.8 | 193.5 | 14.1 |
| | 47 | 43 | 256.1 | 18.0 | 242.5 | 16.8 | 229.7 | 15.7 | 216.0 | 14.6 | 202.3 | 13.6 | 193.5 | 13.0 |
| | 52 | 47 | 256.1 | 16.7 | 242.5 | 15.6 | 229.7 | 14.6 | 216.0 | 13.6 | 202.3 | 12.8 | 193.5 | 12.2 |
| | 57 | 52 | 256.1 | 15.2 | 242.5 | 14.2 | 229.7 | 13.3 | 216.0 | 12.5 | 202.3 | 11.8 | 193.5 | 11.3 |
| | 62 | 56 | 256.1 | 14.0 | 242.5 | 13.2 | 229.7 | 12.5 | 216.0 | 11.7 | 202.3 | 11.0 | 193.5 | 10.5 |
| | 67 | 61 | 256.1 | 12.8 | 242.5 | 12.1 | 229.7 | 11.4 | 216.0 | 10.7 | 202.3 | 10.0 | 193.5 | 9.6 |
| | 72 | 66 | 256.1 | 11.7 | 242.5 | 11.0 | 229.7 | 10.4 | 216.0 | 9.8 | 202.3 | 9.2 | 193.5 | 8.8 |
| 75 | 69 | 256.1 | 11.0 | 242.5 | 10.4 | 229.7 | 9.8 | 216.0 | 9.2 | 202.3 | 8.7 | 193.5 | 8.3 | |
| 80 | 74 | 256.1 | 10.0 | 242.5 | 9.5 | 229.7 | 9.0 | 216.0 | 8.4 | 202.3 | 7.9 | 193.5 | 7.6 | |

NOTE - Power Input = Compressor + Outdoor Fan Motor.
 MBH = 1000 BTUs per hour.

HEATING CAPACITY - TWO MODULE | VRB192L4

| Combination (%) | Outdoor Temperature (°F) | | Indoor Temperature - °F Dry Bulb | | | | | | | | | | | |
|-----------------|--------------------------|----------|----------------------------------|----------------|----------------|----------------|----------------|----------------|----------------|----------------|----------------|----------------|----------------|----------------|
| | | | 61 | | 64 | | 67 | | 70 | | 73 | | 75 | |
| | Dry Bulb | Wet Bulb | Total Cap. MBH | Power Input kW | Total Cap. MBH | Power Input kW | Total Cap. MBH | Power Input kW | Total Cap. MBH | Power Input kW | Total Cap. MBH | Power Input kW | Total Cap. MBH | Power Input kW |
| 90% | -22 | -23 | 132.8 | 23.8 | 130.6 | 24.3 | 128.6 | 24.9 | 126.7 | 25.5 | 125.0 | 26.1 | 124.0 | 26.5 |
| | -17 | -18 | 159.3 | 25.7 | 156.8 | 26.3 | 154.6 | 26.9 | 152.5 | 27.5 | 150.6 | 28.2 | 149.4 | 28.6 |
| | -13 | -14 | 185.7 | 27.9 | 184.1 | 28.6 | 182.8 | 29.4 | 181.6 | 30.2 | 180.5 | 30.9 | 174.2 | 30.0 |
| | -8 | -9 | 199.8 | 29.0 | 198.7 | 29.8 | 197.8 | 30.6 | 194.4 | 30.6 | 182.1 | 28.7 | 174.2 | 27.5 |
| | -3 | -4 | 208.2 | 29.6 | 207.2 | 30.5 | 206.7 | 31.0 | 194.4 | 29.0 | 182.1 | 26.9 | 174.2 | 25.6 |
| | 2 | 1 | 216.3 | 30.4 | 218.2 | 31.5 | 206.7 | 29.5 | 194.4 | 27.3 | 182.1 | 25.1 | 174.2 | 23.7 |
| | 7 | 6 | 226.6 | 31.0 | 218.2 | 29.5 | 206.7 | 27.4 | 194.4 | 25.2 | 182.1 | 23.0 | 174.2 | 21.7 |
| | 12 | 10 | 230.5 | 29.8 | 218.2 | 27.6 | 206.7 | 25.5 | 194.4 | 23.3 | 182.1 | 21.3 | 174.2 | 20.2 |
| | 17 | 15 | 230.5 | 27.1 | 218.2 | 24.9 | 206.7 | 22.9 | 194.4 | 21.0 | 182.1 | 19.5 | 174.2 | 18.6 |
| | 22 | 20 | 230.5 | 24.4 | 218.2 | 22.3 | 206.7 | 20.7 | 194.4 | 19.3 | 182.1 | 17.9 | 174.2 | 17.0 |
| | 27 | 24 | 230.5 | 22.1 | 218.2 | 20.5 | 206.7 | 19.3 | 194.4 | 17.9 | 182.1 | 16.6 | 174.2 | 15.8 |
| | 32 | 29 | 230.5 | 20.1 | 218.2 | 18.8 | 206.7 | 17.6 | 194.4 | 16.4 | 182.1 | 15.2 | 174.2 | 14.5 |
| | 37 | 34 | 230.5 | 18.3 | 218.2 | 17.2 | 206.7 | 16.1 | 194.4 | 15.0 | 182.1 | 13.9 | 174.2 | 13.4 |
| | 42 | 38 | 230.5 | 17.0 | 218.2 | 15.9 | 206.7 | 14.9 | 194.4 | 14.0 | 182.1 | 13.1 | 174.2 | 12.6 |
| | 47 | 43 | 230.5 | 15.5 | 218.2 | 14.5 | 206.7 | 13.7 | 194.4 | 12.9 | 182.1 | 12.1 | 174.2 | 11.6 |
| | 52 | 47 | 230.5 | 14.4 | 218.2 | 13.5 | 206.7 | 12.8 | 194.4 | 12.1 | 182.1 | 11.4 | 174.2 | 10.9 |
| | 57 | 52 | 230.5 | 13.1 | 218.2 | 12.4 | 206.7 | 11.8 | 194.4 | 11.1 | 182.1 | 10.4 | 174.2 | 10.0 |
| | 62 | 56 | 230.5 | 12.2 | 218.2 | 11.6 | 206.7 | 11.0 | 194.4 | 10.4 | 182.1 | 9.7 | 174.2 | 9.3 |
| | 67 | 61 | 230.5 | 11.2 | 218.2 | 10.6 | 206.7 | 10.0 | 194.4 | 9.5 | 182.1 | 8.9 | 174.2 | 8.6 |
| | 72 | 66 | 230.5 | 10.2 | 218.2 | 9.7 | 206.7 | 9.2 | 194.4 | 8.6 | 182.1 | 8.2 | 174.2 | 7.8 |
| 75 | 69 | 230.5 | 9.6 | 218.2 | 9.1 | 206.7 | 8.7 | 194.4 | 8.2 | 182.1 | 7.7 | 174.2 | 7.4 | |
| 80 | 74 | 230.5 | 8.8 | 218.2 | 8.3 | 206.7 | 7.9 | 194.4 | 7.5 | 182.1 | 7.0 | 174.2 | 6.8 | |
| 80% | -22 | -23 | 130.1 | 24.3 | 128.1 | 24.9 | 126.3 | 25.4 | 124.6 | 26.0 | 123.1 | 26.7 | 122.2 | 27.1 |
| | -17 | -18 | 155.8 | 26.4 | 153.6 | 27.0 | 151.7 | 27.6 | 149.8 | 28.3 | 148.2 | 28.9 | 147.2 | 29.4 |
| | -13 | -14 | 183.0 | 28.9 | 181.7 | 29.7 | 181.8 | 30.6 | 172.8 | 29.4 | 161.9 | 27.8 | 154.8 | 26.7 |
| | -8 | -9 | 197.6 | 30.2 | 194.0 | 30.1 | 183.7 | 28.5 | 172.8 | 26.9 | 161.9 | 25.2 | 154.8 | 24.2 |
| | -3 | -4 | 204.9 | 30.2 | 194.0 | 28.4 | 183.7 | 26.8 | 172.8 | 25.0 | 161.9 | 23.3 | 154.8 | 22.2 |
| | 2 | 1 | 204.9 | 28.7 | 194.0 | 26.8 | 183.7 | 25.0 | 172.8 | 23.2 | 161.9 | 21.5 | 154.8 | 20.4 |
| | 7 | 6 | 204.9 | 26.6 | 194.0 | 24.7 | 183.7 | 22.9 | 172.8 | 21.2 | 161.9 | 19.7 | 154.8 | 18.8 |
| | 12 | 10 | 204.9 | 24.7 | 194.0 | 22.8 | 183.7 | 21.2 | 172.8 | 19.7 | 161.9 | 18.4 | 154.8 | 17.6 |
| | 17 | 15 | 204.9 | 22.2 | 194.0 | 20.6 | 183.7 | 19.4 | 172.8 | 18.1 | 161.9 | 16.9 | 154.8 | 16.1 |
| | 22 | 20 | 204.9 | 20.1 | 194.0 | 18.9 | 183.7 | 17.8 | 172.8 | 16.6 | 161.9 | 15.5 | 154.8 | 14.7 |
| | 27 | 24 | 204.9 | 18.7 | 194.0 | 17.6 | 183.7 | 16.5 | 172.8 | 15.4 | 161.9 | 14.3 | 154.8 | 13.7 |
| | 32 | 29 | 204.9 | 17.1 | 194.0 | 16.1 | 183.7 | 15.1 | 172.8 | 14.1 | 161.9 | 13.3 | 154.8 | 12.8 |
| | 37 | 34 | 204.9 | 15.6 | 194.0 | 14.6 | 183.7 | 13.8 | 172.8 | 13.1 | 161.9 | 12.3 | 154.8 | 11.9 |
| | 42 | 38 | 204.9 | 14.5 | 194.0 | 13.6 | 183.7 | 13.0 | 172.8 | 12.3 | 161.9 | 11.6 | 154.8 | 11.2 |
| | 47 | 43 | 204.9 | 13.2 | 194.0 | 12.6 | 183.7 | 12.0 | 172.8 | 11.3 | 161.9 | 10.7 | 154.8 | 10.3 |
| | 52 | 47 | 204.9 | 12.4 | 194.0 | 11.8 | 183.7 | 11.2 | 172.8 | 10.6 | 161.9 | 10.0 | 154.8 | 9.6 |
| | 57 | 52 | 204.9 | 11.4 | 194.0 | 10.8 | 183.7 | 10.3 | 172.8 | 9.7 | 161.9 | 9.2 | 154.8 | 8.8 |
| | 62 | 56 | 204.9 | 10.6 | 194.0 | 10.1 | 183.7 | 9.6 | 172.8 | 9.1 | 161.9 | 8.6 | 154.8 | 8.2 |
| | 67 | 61 | 204.9 | 9.7 | 194.0 | 9.2 | 183.7 | 8.8 | 172.8 | 8.3 | 161.9 | 7.9 | 154.8 | 7.6 |
| | 72 | 66 | 204.9 | 8.8 | 194.0 | 8.4 | 183.7 | 8.0 | 172.8 | 7.6 | 161.9 | 7.2 | 154.8 | 7.1 |
| 75 | 69 | 204.9 | 8.3 | 194.0 | 8.0 | 183.7 | 7.6 | 172.8 | 7.2 | 161.9 | 7.0 | 154.8 | 6.7 | |
| 80 | 74 | 204.9 | 7.6 | 194.0 | 7.2 | 183.7 | 6.9 | 172.8 | 6.6 | 161.9 | 6.3 | 154.8 | 6.1 | |

NOTE - Power Input = Compressor + Outdoor Fan Motor.
 MBH = 1000 BTUs per hour.

HEATING CAPACITY - TWO MODULE | VRB192L4

| Combination (%) | Outdoor Temperature (°F) | | Indoor Temperature - °F Dry Bulb | | | | | | | | | | | |
|-----------------|--------------------------|----------|----------------------------------|----------------|----------------|----------------|----------------|----------------|----------------|----------------|----------------|----------------|----------------|----------------|
| | | | 61 | | 64 | | 67 | | 70 | | 73 | | 75 | |
| | Dry Bulb | Wet Bulb | Total Cap. MBH | Power Input kW | Total Cap. MBH | Power Input kW | Total Cap. MBH | Power Input kW | Total Cap. MBH | Power Input kW | Total Cap. MBH | Power Input kW | Total Cap. MBH | Power Input kW |
| 70% | -22 | -23 | 127.2 | 25.0 | 125.4 | 25.6 | 123.9 | 26.2 | 122.4 | 26.8 | 121.0 | 27.5 | 120.2 | 27.9 |
| | -17 | -18 | 152.1 | 27.3 | 150.2 | 27.9 | 148.6 | 28.5 | 147.1 | 29.2 | 141.6 | 28.9 | 135.5 | 28.1 |
| | -13 | -14 | 179.3 | 29.8 | 169.7 | 28.4 | 160.8 | 27.1 | 151.2 | 25.9 | 141.6 | 24.7 | 135.5 | 23.9 |
| | -8 | -9 | 179.3 | 27.3 | 169.7 | 25.9 | 160.8 | 24.5 | 151.2 | 23.3 | 141.6 | 22.0 | 135.5 | 21.1 |
| | -3 | -4 | 179.3 | 25.5 | 169.7 | 24.0 | 160.8 | 22.7 | 151.2 | 21.3 | 141.6 | 20.0 | 135.5 | 19.2 |
| | 2 | 1 | 179.3 | 23.7 | 169.7 | 22.3 | 160.8 | 20.9 | 151.2 | 19.6 | 141.6 | 18.4 | 135.5 | 17.7 |
| | 7 | 6 | 179.3 | 21.7 | 169.7 | 20.3 | 160.8 | 19.2 | 151.2 | 18.0 | 141.6 | 16.9 | 135.5 | 16.2 |
| | 12 | 10 | 179.3 | 20.1 | 169.7 | 19.0 | 160.8 | 17.9 | 151.2 | 16.9 | 141.6 | 15.8 | 135.5 | 15.1 |
| | 17 | 15 | 179.3 | 18.4 | 169.7 | 17.4 | 160.8 | 16.4 | 151.2 | 15.4 | 141.6 | 14.4 | 135.5 | 13.8 |
| | 22 | 20 | 179.3 | 16.9 | 169.7 | 15.9 | 160.8 | 15.0 | 151.2 | 14.1 | 141.6 | 13.3 | 135.5 | 12.8 |
| | 27 | 24 | 179.3 | 15.7 | 169.7 | 14.7 | 160.8 | 13.9 | 151.2 | 13.2 | 141.6 | 12.5 | 135.5 | 12.1 |
| | 32 | 29 | 179.3 | 14.3 | 169.7 | 13.5 | 160.8 | 12.9 | 151.2 | 12.3 | 141.6 | 11.7 | 135.5 | 11.2 |
| | 37 | 34 | 179.3 | 13.2 | 169.7 | 12.6 | 160.8 | 12.0 | 151.2 | 11.4 | 141.6 | 10.8 | 135.5 | 10.4 |
| | 42 | 38 | 179.3 | 12.4 | 169.7 | 11.8 | 160.8 | 11.3 | 151.2 | 10.7 | 141.6 | 10.2 | 135.5 | 9.8 |
| | 47 | 43 | 179.3 | 11.4 | 169.7 | 10.9 | 160.8 | 10.4 | 151.2 | 9.9 | 141.6 | 9.3 | 135.5 | 9.0 |
| | 52 | 47 | 179.3 | 10.7 | 169.7 | 10.2 | 160.8 | 9.7 | 151.2 | 9.2 | 141.6 | 8.7 | 135.5 | 8.4 |
| | 57 | 52 | 179.3 | 9.8 | 169.7 | 9.3 | 160.8 | 8.9 | 151.2 | 8.5 | 141.6 | 8.0 | 135.5 | 7.7 |
| | 62 | 56 | 179.3 | 9.1 | 169.7 | 8.7 | 160.8 | 8.3 | 151.2 | 7.9 | 141.6 | 7.5 | 135.5 | 7.3 |
| | 67 | 61 | 179.3 | 8.3 | 169.7 | 7.9 | 160.8 | 7.6 | 151.2 | 7.2 | 141.6 | 7.0 | 135.5 | 6.8 |
| | 72 | 66 | 179.3 | 7.6 | 169.7 | 7.3 | 160.8 | 7.0 | 151.2 | 6.8 | 141.6 | 6.5 | 135.5 | 6.2 |
| 75 | 69 | 179.3 | 7.2 | 169.7 | 6.9 | 160.8 | 6.7 | 151.2 | 6.5 | 141.6 | 6.2 | 135.5 | 6.0 | |
| 80 | 74 | 179.3 | 6.5 | 169.7 | 6.4 | 160.8 | 6.1 | 151.2 | 5.8 | 141.6 | 5.5 | 135.5 | 5.3 | |
| 60% | -22 | -23 | 124.0 | 25.9 | 122.5 | 26.6 | 121.2 | 27.2 | 120.0 | 27.8 | 119.7 | 28.7 | 116.1 | 28.5 |
| | -17 | -18 | 148.2 | 28.5 | 145.5 | 28.8 | 137.8 | 27.9 | 129.6 | 26.8 | 121.4 | 25.8 | 116.1 | 25.1 |
| | -13 | -14 | 153.7 | 25.5 | 145.5 | 24.6 | 137.8 | 23.7 | 129.6 | 22.7 | 121.4 | 21.6 | 116.1 | 20.9 |
| | -8 | -9 | 153.7 | 23.0 | 145.5 | 22.0 | 137.8 | 21.0 | 129.6 | 19.9 | 121.4 | 18.9 | 116.1 | 18.3 |
| | -3 | -4 | 153.7 | 21.2 | 145.5 | 20.0 | 137.8 | 19.0 | 129.6 | 18.1 | 121.4 | 17.1 | 116.1 | 16.5 |
| | 2 | 1 | 153.7 | 19.4 | 145.5 | 18.4 | 137.8 | 17.6 | 129.6 | 16.6 | 121.4 | 15.7 | 116.1 | 15.1 |
| | 7 | 6 | 153.7 | 17.9 | 145.5 | 17.0 | 137.8 | 16.1 | 129.6 | 15.2 | 121.4 | 14.3 | 116.1 | 13.7 |
| | 12 | 10 | 153.7 | 16.7 | 145.5 | 15.8 | 137.8 | 15.0 | 129.6 | 14.1 | 121.4 | 13.3 | 116.1 | 12.8 |
| | 17 | 15 | 153.7 | 15.2 | 145.5 | 14.4 | 137.8 | 13.7 | 129.6 | 13.0 | 121.4 | 12.3 | 116.1 | 11.9 |
| | 22 | 20 | 153.7 | 13.9 | 145.5 | 13.2 | 137.8 | 12.7 | 129.6 | 12.1 | 121.4 | 11.5 | 116.1 | 11.1 |
| | 27 | 24 | 153.7 | 13.0 | 145.5 | 12.5 | 137.8 | 11.9 | 129.6 | 11.4 | 121.4 | 10.8 | 116.1 | 10.5 |
| | 32 | 29 | 153.7 | 12.1 | 145.5 | 11.6 | 137.8 | 11.1 | 129.6 | 10.6 | 121.4 | 10.1 | 116.1 | 9.7 |
| | 37 | 34 | 153.7 | 11.2 | 145.5 | 10.7 | 137.8 | 10.3 | 129.6 | 9.8 | 121.4 | 9.3 | 116.1 | 9.0 |
| | 42 | 38 | 153.7 | 10.5 | 145.5 | 10.1 | 137.8 | 9.7 | 129.6 | 9.2 | 121.4 | 8.8 | 116.1 | 8.5 |
| | 47 | 43 | 153.7 | 9.7 | 145.5 | 9.3 | 137.8 | 8.9 | 129.6 | 8.5 | 121.4 | 8.0 | 116.1 | 7.8 |
| | 52 | 47 | 153.7 | 9.0 | 145.5 | 8.7 | 137.8 | 8.3 | 129.6 | 7.9 | 121.4 | 7.5 | 116.1 | 7.3 |
| | 57 | 52 | 153.7 | 8.3 | 145.5 | 7.9 | 137.8 | 7.6 | 129.6 | 7.3 | 121.4 | 7.0 | 116.1 | 6.8 |
| | 62 | 56 | 153.7 | 7.7 | 145.5 | 7.4 | 137.8 | 7.1 | 129.6 | 6.9 | 121.4 | 6.6 | 116.1 | 6.3 |
| | 67 | 61 | 153.7 | 7.0 | 145.5 | 6.9 | 137.8 | 6.6 | 129.6 | 6.3 | 121.4 | 6.0 | 116.1 | 5.8 |
| | 72 | 66 | 153.7 | 6.6 | 145.5 | 6.4 | 137.8 | 6.1 | 129.6 | 5.9 | 121.4 | 5.6 | 116.1 | 5.4 |
| 75 | 69 | 153.7 | 6.3 | 145.5 | 6.1 | 137.8 | 5.8 | 129.6 | 5.6 | 121.4 | 5.3 | 116.1 | 5.2 | |
| 80 | 74 | 153.7 | 5.7 | 145.5 | 5.5 | 137.8 | 5.2 | 129.6 | 5.0 | 121.4 | 4.7 | 116.1 | 4.5 | |

NOTE - Power Input = Compressor + Outdoor Fan Motor.
 MBH = 1000 BTUs per hour.

HEATING CAPACITY - TWO MODULE | VRB192L4

| Combination (%) | Outdoor Temperature (°F) | | Indoor Temperature - °F Dry Bulb | | | | | | | | | | | |
|-----------------|--------------------------|----------|----------------------------------|----------------|----------------|----------------|----------------|----------------|----------------|----------------|----------------|----------------|----------------|----------------|
| | | | 61 | | 64 | | 67 | | 70 | | 73 | | 75 | |
| | Dry Bulb | Wet Bulb | Total Cap. MBH | Power Input kW | Total Cap. MBH | Power Input kW | Total Cap. MBH | Power Input kW | Total Cap. MBH | Power Input kW | Total Cap. MBH | Power Input kW | Total Cap. MBH | Power Input kW |
| 50% | -22 | -23 | 120.6 | 27.3 | 121.2 | 28.4 | 114.8 | 27.7 | 108.0 | 26.9 | 101.2 | 26.0 | 96.8 | 25.4 |
| | -17 | -18 | 128.1 | 25.9 | 121.2 | 25.1 | 114.8 | 24.3 | 108.0 | 23.4 | 101.2 | 22.4 | 96.8 | 21.7 |
| | -13 | -14 | 128.1 | 21.9 | 121.2 | 21.0 | 114.8 | 20.2 | 108.0 | 19.4 | 101.2 | 18.5 | 96.8 | 18.0 |
| | -8 | -9 | 128.1 | 19.2 | 121.2 | 18.4 | 114.8 | 17.7 | 108.0 | 16.9 | 101.2 | 16.1 | 96.8 | 15.5 |
| | -3 | -4 | 128.1 | 17.4 | 121.2 | 16.6 | 114.8 | 15.9 | 108.0 | 15.2 | 101.2 | 14.4 | 96.8 | 13.8 |
| | 2 | 1 | 128.1 | 15.9 | 121.2 | 15.2 | 114.8 | 14.5 | 108.0 | 13.7 | 101.2 | 12.9 | 96.8 | 12.5 |
| | 7 | 6 | 128.1 | 14.5 | 121.2 | 13.8 | 114.8 | 13.2 | 108.0 | 12.5 | 101.2 | 11.9 | 96.8 | 11.5 |
| | 12 | 10 | 128.1 | 13.5 | 121.2 | 12.9 | 114.8 | 12.4 | 108.0 | 11.8 | 101.2 | 11.2 | 96.8 | 10.9 |
| | 17 | 15 | 128.1 | 12.4 | 121.2 | 11.9 | 114.8 | 11.5 | 108.0 | 11.0 | 101.2 | 10.5 | 96.8 | 10.1 |
| | 22 | 20 | 128.1 | 11.6 | 121.2 | 11.1 | 114.8 | 10.7 | 108.0 | 10.2 | 101.2 | 9.8 | 96.8 | 9.5 |
| | 27 | 24 | 128.1 | 10.9 | 121.2 | 10.5 | 114.8 | 10.1 | 108.0 | 9.7 | 101.2 | 9.2 | 96.8 | 8.9 |
| | 32 | 29 | 128.1 | 10.1 | 121.2 | 9.7 | 114.8 | 9.4 | 108.0 | 9.0 | 101.2 | 8.6 | 96.8 | 8.3 |
| | 37 | 34 | 128.1 | 9.4 | 121.2 | 9.0 | 114.8 | 8.7 | 108.0 | 8.3 | 101.2 | 7.9 | 96.8 | 7.7 |
| | 42 | 38 | 128.1 | 8.8 | 121.2 | 8.4 | 114.8 | 8.1 | 108.0 | 7.8 | 101.2 | 7.4 | 96.8 | 7.3 |
| | 47 | 43 | 128.1 | 8.1 | 121.2 | 7.7 | 114.8 | 7.4 | 108.0 | 7.2 | 101.2 | 6.9 | 96.8 | 6.7 |
| | 52 | 47 | 128.1 | 7.5 | 121.2 | 7.2 | 114.8 | 7.1 | 108.0 | 6.8 | 101.2 | 6.4 | 96.8 | 6.2 |
| | 57 | 52 | 128.1 | 7.0 | 121.2 | 6.8 | 114.8 | 6.5 | 108.0 | 6.2 | 101.2 | 5.9 | 96.8 | 5.7 |
| 62 | 56 | 128.1 | 6.6 | 121.2 | 6.3 | 114.8 | 6.1 | 108.0 | 5.8 | 101.2 | 5.5 | 96.8 | 5.4 | |
| 67 | 61 | 128.1 | 6.0 | 121.2 | 5.8 | 114.8 | 5.6 | 108.0 | 5.3 | 101.2 | 5.1 | 96.8 | 5.0 | |
| 72 | 66 | 128.1 | 5.6 | 121.2 | 5.4 | 114.8 | 5.2 | 108.0 | 5.0 | 101.2 | 4.8 | 96.8 | 4.6 | |
| 75 | 69 | 128.1 | 5.3 | 121.2 | 5.1 | 114.8 | 5.0 | 108.0 | 4.8 | 101.2 | 4.6 | 96.8 | 4.5 | |
| 80 | 74 | 128.1 | 4.8 | 121.2 | 4.6 | 114.8 | 4.4 | 108.0 | 4.2 | 101.2 | 4.0 | 96.8 | 3.9 | |

NOTE - Power Input = Compressor + Outdoor Fan Motor.
 MBH = 1000 BTUs per hour.

COOLING CAPACITY - TWO MODULE | VRB216L4

| Combination (%) | Outdoor Temperature °F (Dry Bulb) | Indoor Temperature - °F (Dry Bulb / Wet Bulb) | | | | | | | | | | | |
|-----------------|-----------------------------------|---|-------------|------------|-------------|------------|-------------|------------|-------------|------------|-------------|------------|-------------|
| | | 67 / 57 | | 71 / 60 | | 75 / 63 | | 80 / 67 | | 85 / 71 | | 90 / 75 | |
| | | Total Cap. | Power Input | Total Cap. | Power Input | Total Cap. | Power Input | Total Cap. | Power Input | Total Cap. | Power Input | Total Cap. | Power Input |
| | | MBH | KW | MBH | KW | MBH | KW | MBH | KW | MBH | KW | MBH | KW |
| 130% | -10 | 165.5 | 5.5 | 201.2 | 6.7 | 234.7 | 7.9 | 280.8 | 9.7 | 329.0 | 11.6 | 367.6 | 13.3 |
| | -5 | 165.5 | 5.8 | 201.2 | 7.1 | 234.7 | 8.4 | 280.8 | 10.3 | 329.0 | 12.3 | 349.5 | 13.4 |
| | 10 | 165.5 | 5.9 | 201.2 | 7.3 | 234.7 | 8.6 | 280.8 | 10.5 | 329.0 | 12.6 | 343.1 | 13.4 |
| | 15 | 165.5 | 6.1 | 201.2 | 7.5 | 234.7 | 8.8 | 280.8 | 10.7 | 326.4 | 12.8 | 336.0 | 13.4 |
| | 20 | 165.5 | 6.2 | 201.2 | 7.6 | 234.7 | 9.0 | 280.8 | 11.0 | 322.2 | 12.9 | 328.9 | 13.4 |
| | 25 | 165.5 | 6.3 | 201.2 | 7.8 | 234.7 | 9.2 | 280.8 | 11.2 | 317.9 | 13.0 | 321.5 | 13.4 |
| | 30 | 165.5 | 6.5 | 201.2 | 8.0 | 234.7 | 9.4 | 280.8 | 11.5 | 310.1 | 12.9 | 314.4 | 13.4 |
| | 35 | 165.5 | 6.7 | 201.2 | 8.2 | 234.7 | 9.7 | 280.8 | 11.8 | 303.5 | 13.0 | 307.8 | 13.5 |
| | 40 | 165.5 | 6.8 | 201.2 | 8.4 | 234.7 | 9.9 | 280.8 | 12.1 | 299.5 | 13.1 | 303.8 | 13.6 |
| | 45 | 165.5 | 7.0 | 201.2 | 8.6 | 234.7 | 10.1 | 280.8 | 12.4 | 298.3 | 13.4 | 302.6 | 13.9 |
| | 50 | 165.5 | 7.2 | 201.2 | 8.8 | 234.7 | 10.4 | 280.8 | 12.7 | 297.5 | 13.7 | 301.8 | 14.2 |
| | 55 | 165.5 | 7.4 | 201.2 | 9.0 | 234.7 | 10.7 | 280.8 | 13.0 | 297.1 | 14.0 | 301.4 | 14.6 |
| | 60 | 165.5 | 7.6 | 201.2 | 9.3 | 234.7 | 11.0 | 280.8 | 13.4 | 298.0 | 14.4 | 301.1 | 15.0 |
| | 65 | 165.5 | 7.8 | 201.2 | 9.5 | 234.7 | 11.3 | 280.8 | 13.7 | 295.2 | 14.7 | 300.8 | 15.4 |
| | 70 | 165.5 | 8.4 | 201.2 | 10.4 | 234.7 | 12.3 | 280.8 | 14.9 | 294.6 | 16.0 | 300.2 | 16.7 |
| | 75 | 165.5 | 9.3 | 201.2 | 11.4 | 234.7 | 13.5 | 277.8 | 16.2 | 293.3 | 17.4 | 299.0 | 18.2 |
| | 80 | 165.5 | 10.2 | 201.2 | 12.5 | 234.7 | 14.8 | 276.3 | 17.7 | 291.0 | 19.0 | 296.6 | 19.8 |
| | 85 | 165.5 | 11.2 | 201.2 | 13.7 | 234.7 | 16.2 | 274.0 | 19.2 | 287.1 | 20.6 | 292.6 | 21.5 |
| | 90 | 165.5 | 12.2 | 201.2 | 15.0 | 234.7 | 17.8 | 270.5 | 20.8 | 281.2 | 22.1 | 286.6 | 23.0 |
| | 95 | 165.5 | 13.4 | 201.2 | 16.4 | 234.7 | 19.4 | 253.4 | 21.2 | 257.7 | 22.1 | 262.0 | 23.0 |
| | 100 | 165.5 | 14.5 | 201.2 | 17.9 | 228.4 | 20.5 | 241.5 | 22.0 | 245.8 | 22.9 | 250.5 | 23.9 |
| 105 | 165.5 | 15.7 | 201.2 | 19.3 | 219.1 | 21.1 | 224.0 | 22.0 | 230.6 | 23.2 | 235.1 | 24.2 | |
| 110 | 165.5 | 16.8 | 189.8 | 19.4 | 197.2 | 20.4 | 204.8 | 21.5 | 210.9 | 22.7 | 214.9 | 23.7 | |
| 115 | 158.3 | 16.9 | 167.9 | 18.1 | 173.7 | 19.0 | 180.4 | 20.1 | 185.7 | 21.1 | 189.3 | 22.0 | |
| 118 | 145.0 | 15.9 | 151.3 | 16.8 | 156.6 | 17.6 | 162.6 | 18.6 | 167.5 | 19.6 | 170.7 | 20.4 | |
| 125 | 100.2 | 11.4 | 104.6 | 12.1 | 108.2 | 12.7 | 112.4 | 13.4 | 115.8 | 14.1 | 118.0 | 14.7 | |
| 120% | -10 | 152.8 | 5.0 | 185.7 | 6.1 | 216.6 | 7.2 | 259.2 | 8.8 | 303.7 | 10.5 | 346.2 | 12.3 |
| | -5 | 152.8 | 5.3 | 185.7 | 6.5 | 216.6 | 7.7 | 259.2 | 9.4 | 303.7 | 11.2 | 341.1 | 12.9 |
| | 10 | 152.8 | 5.4 | 185.7 | 6.6 | 216.6 | 7.8 | 259.2 | 9.6 | 303.7 | 11.4 | 337.3 | 13.0 |
| | 15 | 152.8 | 5.5 | 185.7 | 6.8 | 216.6 | 8.0 | 259.2 | 9.8 | 303.7 | 11.7 | 330.2 | 13.0 |
| | 20 | 152.8 | 5.6 | 185.7 | 6.9 | 216.6 | 8.2 | 259.2 | 10.0 | 303.7 | 11.9 | 323.1 | 13.0 |
| | 25 | 152.8 | 5.8 | 185.7 | 7.1 | 216.6 | 8.4 | 259.2 | 10.2 | 303.7 | 12.2 | 315.8 | 13.0 |
| | 30 | 152.8 | 5.9 | 185.7 | 7.3 | 216.6 | 8.6 | 259.2 | 10.4 | 299.5 | 12.3 | 308.8 | 13.0 |
| | 35 | 152.8 | 6.0 | 185.7 | 7.4 | 216.6 | 8.8 | 259.2 | 10.7 | 295.6 | 12.4 | 302.2 | 13.0 |
| | 40 | 152.8 | 6.2 | 185.7 | 7.6 | 216.6 | 9.0 | 259.2 | 11.0 | 293.0 | 12.6 | 298.1 | 13.2 |
| | 45 | 152.8 | 6.3 | 185.7 | 7.8 | 216.6 | 9.2 | 259.2 | 11.2 | 292.0 | 12.9 | 296.9 | 13.4 |
| | 50 | 152.8 | 6.5 | 185.7 | 8.0 | 216.6 | 9.5 | 259.2 | 11.5 | 291.2 | 13.2 | 296.1 | 13.7 |
| | 55 | 152.8 | 6.7 | 185.7 | 8.2 | 216.6 | 9.7 | 259.2 | 11.8 | 290.6 | 13.5 | 295.7 | 14.1 |
| | 60 | 152.8 | 6.9 | 185.7 | 8.4 | 216.6 | 10.0 | 259.2 | 12.1 | 290.7 | 13.9 | 295.4 | 14.4 |
| | 65 | 152.8 | 7.1 | 185.7 | 8.7 | 216.6 | 10.2 | 259.2 | 12.5 | 289.1 | 14.2 | 295.2 | 14.8 |
| | 70 | 152.8 | 7.7 | 185.7 | 9.4 | 216.6 | 11.1 | 259.2 | 13.6 | 288.4 | 15.4 | 294.6 | 16.1 |
| | 75 | 152.8 | 8.4 | 185.7 | 10.4 | 216.6 | 12.2 | 259.2 | 14.9 | 287.5 | 16.8 | 293.3 | 17.6 |
| | 80 | 152.8 | 9.3 | 185.7 | 11.4 | 216.6 | 13.4 | 259.2 | 16.4 | 285.5 | 18.4 | 291.0 | 19.2 |
| | 85 | 152.8 | 10.2 | 185.7 | 12.5 | 216.6 | 14.7 | 259.2 | 18.0 | 281.7 | 19.9 | 287.1 | 20.7 |
| | 90 | 152.8 | 11.1 | 185.7 | 13.7 | 216.6 | 16.1 | 259.2 | 19.7 | 275.9 | 21.3 | 281.2 | 22.2 |
| | 95 | 152.8 | 12.1 | 185.7 | 14.9 | 216.6 | 17.6 | 248.2 | 20.5 | 257.7 | 21.7 | 262.0 | 22.6 |
| | 100 | 152.8 | 13.2 | 185.7 | 16.2 | 216.6 | 19.2 | 241.7 | 21.7 | 245.8 | 22.5 | 250.5 | 23.5 |
| 105 | 152.8 | 14.3 | 185.7 | 17.5 | 211.0 | 20.1 | 224.0 | 21.7 | 230.6 | 22.8 | 235.1 | 23.8 | |
| 110 | 152.8 | 15.3 | 182.9 | 18.5 | 197.2 | 20.0 | 204.8 | 21.2 | 210.9 | 22.3 | 214.9 | 23.3 | |
| 115 | 152.8 | 16.1 | 167.9 | 17.8 | 173.7 | 18.7 | 180.4 | 19.8 | 185.7 | 20.8 | 189.3 | 21.7 | |
| 118 | 142.8 | 15.4 | 151.3 | 16.5 | 156.6 | 17.3 | 162.6 | 18.3 | 167.5 | 19.3 | 170.7 | 20.1 | |
| 125 | 100.2 | 11.3 | 104.6 | 11.9 | 108.2 | 12.5 | 112.4 | 13.2 | 115.8 | 13.9 | 118.0 | 14.5 | |

NOTE - Power Input = Compressor + Outdoor Fan Motor.
MBH = 1000 BTUs per hour.

COOLING CAPACITY - TWO MODULE | VRB216L4

| Combination (%) | Outdoor Temperature °F (Dry Bulb) | Indoor Temperature - °F (Dry Bulb / Wet Bulb) | | | | | | | | | | | |
|-----------------|-----------------------------------|---|-------------|------------|-------------|------------|-------------|--------------|-------------|------------|-------------|------------|-------------|
| | | 67 / 57 | | 71 / 60 | | 75 / 63 | | 80 / 67 | | 85 / 71 | | 90 / 75 | |
| | | Total Cap. | Power Input | Total Cap. | Power Input | Total Cap. | Power Input | Total Cap. | Power Input | Total Cap. | Power Input | Total Cap. | Power Input |
| | | MBH | kW | MBH | kW | MBH | kW | MBH | kW | MBH | kW | MBH | kW |
| 110% | -10 | 140.1 | 4.5 | 170.2 | 5.5 | 198.6 | 6.5 | 237.6 | 7.9 | 278.4 | 9.5 | 317.4 | 11.1 |
| | -5 | 140.1 | 4.8 | 170.2 | 5.9 | 198.6 | 6.9 | 237.6 | 8.4 | 278.4 | 10.1 | 317.4 | 11.8 |
| | 10 | 140.1 | 4.9 | 170.2 | 6.0 | 198.6 | 7.1 | 237.6 | 8.6 | 278.4 | 10.3 | 317.4 | 12.1 |
| | 15 | 140.1 | 5.0 | 170.2 | 6.1 | 198.6 | 7.2 | 237.6 | 8.8 | 278.4 | 10.6 | 317.3 | 12.3 |
| | 20 | 140.1 | 5.1 | 170.2 | 6.3 | 198.6 | 7.4 | 237.6 | 9.0 | 278.4 | 10.8 | 313.2 | 12.4 |
| | 25 | 140.1 | 5.2 | 170.2 | 6.4 | 198.6 | 7.6 | 237.6 | 9.2 | 278.4 | 11.0 | 309.0 | 12.5 |
| | 30 | 140.1 | 5.3 | 170.2 | 6.5 | 198.6 | 7.7 | 237.6 | 9.4 | 278.4 | 11.3 | 303.1 | 12.6 |
| | 35 | 140.1 | 5.5 | 170.2 | 6.7 | 198.6 | 7.9 | 237.6 | 9.7 | 278.4 | 11.6 | 296.5 | 12.6 |
| | 40 | 140.1 | 5.6 | 170.2 | 6.9 | 198.6 | 8.1 | 237.6 | 9.9 | 278.4 | 11.8 | 292.4 | 12.7 |
| | 45 | 140.1 | 5.7 | 170.2 | 7.0 | 198.6 | 8.3 | 237.6 | 10.1 | 278.4 | 12.1 | 291.2 | 13.0 |
| | 50 | 140.1 | 5.9 | 170.2 | 7.2 | 198.6 | 8.5 | 237.6 | 10.4 | 278.4 | 12.5 | 290.4 | 13.3 |
| | 55 | 140.1 | 6.0 | 170.2 | 7.4 | 198.6 | 8.8 | 237.6 | 10.7 | 278.4 | 12.8 | 290.0 | 13.6 |
| | 60 | 140.1 | 6.2 | 170.2 | 7.6 | 198.6 | 9.0 | 237.6 | 11.0 | 276.3 | 13.0 | 289.8 | 13.9 |
| | 65 | 140.1 | 6.4 | 170.2 | 7.8 | 198.6 | 9.2 | 237.6 | 11.3 | 274.9 | 13.3 | 289.5 | 14.3 |
| | 70 | 140.1 | 6.9 | 170.2 | 8.5 | 198.6 | 10.1 | 237.6 | 12.3 | 274.2 | 14.5 | 288.9 | 15.5 |
| | 75 | 140.1 | 7.6 | 170.2 | 9.3 | 198.6 | 11.0 | 237.6 | 13.5 | 273.3 | 15.8 | 287.7 | 17.0 |
| | 80 | 140.1 | 8.4 | 170.2 | 10.3 | 198.6 | 12.1 | 237.6 | 14.8 | 271.8 | 17.2 | 285.4 | 18.5 |
| | 85 | 140.1 | 9.2 | 170.2 | 11.3 | 198.6 | 13.3 | 237.6 | 16.2 | 269.6 | 18.8 | 281.6 | 20.0 |
| | 90 | 140.1 | 10.0 | 170.2 | 12.3 | 198.6 | 14.6 | 237.6 | 17.8 | 266.3 | 20.3 | 275.8 | 21.5 |
| | 95 | 140.1 | 11.0 | 170.2 | 13.5 | 198.6 | 15.9 | 237.6 | 19.4 | 259.1 | 21.5 | 262.0 | 22.3 |
| 100 | 140.1 | 11.9 | 170.2 | 14.7 | 198.6 | 17.3 | 234.1 | 20.8 | 245.8 | 22.2 | 250.5 | 23.2 | |
| 105 | 140.1 | 12.9 | 170.2 | 15.8 | 198.6 | 18.7 | 222.8 | 21.2 | 230.6 | 22.5 | 235.1 | 23.5 | |
| 110 | 140.1 | 13.8 | 170.2 | 16.9 | 191.1 | 19.2 | 204.8 | 20.9 | 210.9 | 22.0 | 214.9 | 23.0 | |
| 115 | 140.1 | 14.6 | 162.7 | 17.1 | 173.7 | 18.4 | 180.4 | 19.5 | 185.7 | 20.5 | 189.3 | 21.4 | |
| 118 | 137.1 | 14.6 | 151.3 | 16.3 | 156.6 | 17.0 | 162.6 | 18.0 | 167.5 | 19.0 | 170.7 | 19.8 | |
| 125 | 100.2 | 11.1 | 104.6 | 11.7 | 108.2 | 12.3 | 112.4 | 13.0 | 115.8 | 13.7 | 118.0 | 14.3 | |
| 100% | -10 | 127.3 | 4.0 | 154.7 | 4.9 | 180.5 | 5.8 | 216.0 | 7.1 | 253.1 | 8.5 | 288.5 | 9.9 |
| | -5 | 127.3 | 4.3 | 154.7 | 5.3 | 180.5 | 6.2 | 216.0 | 7.6 | 253.1 | 9.1 | 288.5 | 10.6 |
| | 10 | 127.3 | 4.4 | 154.7 | 5.4 | 180.5 | 6.3 | 216.0 | 7.7 | 253.1 | 9.2 | 288.5 | 10.8 |
| | 15 | 127.3 | 4.5 | 154.7 | 5.5 | 180.5 | 6.5 | 216.0 | 7.9 | 253.1 | 9.5 | 288.5 | 11.0 |
| | 20 | 127.3 | 4.6 | 154.7 | 5.6 | 180.5 | 6.6 | 216.0 | 8.1 | 253.1 | 9.7 | 288.4 | 11.3 |
| | 25 | 127.3 | 4.7 | 154.7 | 5.7 | 180.5 | 6.8 | 216.0 | 8.2 | 253.1 | 9.9 | 286.7 | 11.5 |
| | 30 | 127.3 | 4.8 | 154.7 | 5.9 | 180.5 | 6.9 | 216.0 | 8.4 | 253.1 | 10.1 | 285.1 | 11.7 |
| | 35 | 127.3 | 4.9 | 154.7 | 6.0 | 180.5 | 7.1 | 216.0 | 8.6 | 253.1 | 10.4 | 283.7 | 11.9 |
| | 40 | 127.3 | 5.0 | 154.7 | 6.2 | 180.5 | 7.3 | 216.0 | 8.9 | 253.1 | 10.6 | 282.5 | 12.1 |
| | 45 | 127.3 | 5.1 | 154.7 | 6.3 | 180.5 | 7.4 | 216.0 | 9.1 | 253.1 | 10.9 | 281.5 | 12.4 |
| | 50 | 127.3 | 5.3 | 154.7 | 6.5 | 180.5 | 7.6 | 216.0 | 9.3 | 253.1 | 11.2 | 280.8 | 12.6 |
| | 55 | 127.3 | 5.4 | 154.7 | 6.6 | 180.5 | 7.8 | 216.0 | 9.6 | 253.1 | 11.4 | 280.2 | 13.0 |
| | 60 | 127.3 | 5.5 | 154.7 | 6.8 | 180.5 | 8.1 | 216.0 | 9.8 | 253.1 | 11.8 | 279.7 | 13.3 |
| | 65 | 127.3 | 5.7 | 154.7 | 7.0 | 180.5 | 8.3 | 216.0 | 10.1 | 253.1 | 12.1 | 279.3 | 13.6 |
| | 70 | 127.3 | 6.2 | 154.7 | 7.6 | 180.5 | 9.0 | 216.0 | 11.0 | 253.1 | 13.1 | 278.6 | 14.8 |
| | 75 | 127.3 | 6.8 | 154.7 | 8.4 | 180.5 | 9.9 | 216.0 | 12.0 | 253.1 | 14.4 | 277.7 | 16.2 |
| | 80 | 127.3 | 7.5 | 154.7 | 9.2 | 180.5 | 10.9 | 216.0 | 13.2 | 253.1 | 15.8 | 276.2 | 17.7 |
| | 85 | 127.3 | 8.2 | 154.7 | 10.1 | 180.5 | 11.9 | 216.0 | 14.5 | 253.1 | 17.4 | 274.0 | 19.2 |
| | 90 | 127.3 | 9.0 | 154.7 | 11.1 | 180.5 | 13.0 | 216.0 | 15.9 | 252.2 | 19.0 | 270.3 | 20.7 |
| | 95 | 127.3 | 9.8 | 154.7 | 12.1 | 180.5 | 14.3 | 216.0 | 17.4 | 247.6 | 20.3 | 262.0 | 22.0 |
| 100 | 127.3 | 10.7 | 154.7 | 13.1 | 180.5 | 15.5 | 216.0 | 18.9 | 241.4 | 21.5 | 250.5 | 22.8 | |
| 105 | 127.3 | 11.5 | 154.7 | 14.2 | 180.5 | 16.7 | 213.2 | 20.1 | 230.6 | 22.1 | 235.1 | 23.1 | |
| 110 | 127.3 | 12.3 | 154.7 | 15.2 | 180.5 | 17.9 | 202.8 | 20.4 | 210.9 | 21.7 | 214.9 | 22.6 | |
| 115 | 127.3 | 13.0 | 154.7 | 16.0 | 170.3 | 17.8 | 180.4 | 19.2 | 185.7 | 20.2 | 189.3 | 21.1 | |
| 118 | 127.3 | 13.4 | 147.0 | 15.6 | 156.6 | 16.8 | 162.6 | 17.8 | 167.5 | 18.7 | 170.7 | 19.5 | |
| 125 | 100.2 | 10.9 | 104.6 | 11.5 | 108.2 | 12.1 | 112.4 | 12.8 | 115.8 | 13.5 | 118.0 | 14.0 | |

NOTE - Power Input = Compressor + Outdoor Fan Motor.
 MBH = 1000 BTUs per hour.

COOLING CAPACITY - TWO MODULE | VRB216L4

| Combination (%) | Outdoor Temperature °F (Dry Bulb) | Indoor Temperature - °F (Dry Bulb / Wet Bulb) | | | | | | | | | | | |
|-----------------|-----------------------------------|---|-------------|------------|-------------|------------|-------------|------------|-------------|------------|-------------|------------|-------------|
| | | 67 / 57 | | 71 / 60 | | 75 / 63 | | 80 / 67 | | 85 / 71 | | 90 / 75 | |
| | | Total Cap. | Power Input | Total Cap. | Power Input | Total Cap. | Power Input | Total Cap. | Power Input | Total Cap. | Power Input | Total Cap. | Power Input |
| | | MBH | KW | MBH | KW | MBH | KW | MBH | KW | MBH | KW | MBH | KW |
| 90% | -10 | 114.6 | 3.6 | 139.3 | 4.4 | 162.5 | 5.2 | 194.4 | 6.3 | 227.8 | 7.6 | 259.7 | 8.8 |
| | -5 | 114.6 | 3.8 | 139.3 | 4.7 | 162.5 | 5.5 | 194.4 | 6.7 | 227.8 | 8.0 | 259.7 | 9.4 |
| | 10 | 114.6 | 3.9 | 139.3 | 4.8 | 162.5 | 5.6 | 194.4 | 6.8 | 227.8 | 8.2 | 259.7 | 9.6 |
| | 15 | 114.6 | 4.0 | 139.3 | 4.9 | 162.5 | 5.7 | 194.4 | 7.0 | 227.8 | 8.4 | 259.7 | 9.8 |
| | 20 | 114.6 | 4.0 | 139.3 | 5.0 | 162.5 | 5.9 | 194.4 | 7.1 | 227.8 | 8.6 | 259.7 | 10.0 |
| | 25 | 114.6 | 4.1 | 139.3 | 5.1 | 162.5 | 6.0 | 194.4 | 7.3 | 227.8 | 8.8 | 259.7 | 10.2 |
| | 30 | 114.6 | 4.2 | 139.3 | 5.2 | 162.5 | 6.1 | 194.4 | 7.5 | 227.8 | 9.0 | 259.7 | 10.5 |
| | 35 | 114.6 | 4.3 | 139.3 | 5.3 | 162.5 | 6.3 | 194.4 | 7.7 | 227.8 | 9.2 | 259.7 | 10.7 |
| | 40 | 114.6 | 4.4 | 139.3 | 5.5 | 162.5 | 6.4 | 194.4 | 7.9 | 227.8 | 9.4 | 259.7 | 11.0 |
| | 45 | 114.6 | 4.5 | 139.3 | 5.6 | 162.5 | 6.6 | 194.4 | 8.0 | 227.8 | 9.6 | 259.7 | 11.3 |
| | 50 | 114.6 | 4.7 | 139.3 | 5.7 | 162.5 | 6.8 | 194.4 | 8.3 | 227.8 | 9.9 | 259.7 | 11.5 |
| | 55 | 114.6 | 4.8 | 139.3 | 5.9 | 162.5 | 7.0 | 194.4 | 8.5 | 227.8 | 10.2 | 259.7 | 11.9 |
| | 60 | 114.6 | 4.9 | 139.3 | 6.0 | 162.5 | 7.1 | 194.4 | 8.7 | 227.8 | 10.4 | 259.7 | 12.2 |
| | 65 | 114.6 | 5.1 | 139.3 | 6.2 | 162.5 | 7.3 | 194.4 | 8.9 | 227.8 | 10.7 | 259.7 | 12.5 |
| | 70 | 114.6 | 5.5 | 139.3 | 6.8 | 162.5 | 8.0 | 194.4 | 9.7 | 227.8 | 11.7 | 259.7 | 13.6 |
| | 75 | 114.6 | 6.0 | 139.3 | 7.4 | 162.5 | 8.8 | 194.4 | 10.7 | 227.8 | 12.8 | 259.7 | 14.9 |
| | 80 | 114.6 | 6.6 | 139.3 | 8.2 | 162.5 | 9.6 | 194.4 | 11.7 | 227.8 | 14.1 | 259.7 | 16.4 |
| | 85 | 114.6 | 7.3 | 139.3 | 8.9 | 162.5 | 10.6 | 194.4 | 12.9 | 227.8 | 15.4 | 258.2 | 17.9 |
| | 90 | 114.6 | 8.0 | 139.3 | 9.8 | 162.5 | 11.6 | 194.4 | 14.1 | 227.8 | 16.9 | 255.0 | 19.3 |
| | 95 | 114.6 | 8.7 | 139.3 | 10.7 | 162.5 | 12.6 | 194.4 | 15.4 | 227.8 | 18.4 | 253.2 | 21.0 |
| 100 | 114.6 | 9.5 | 139.3 | 11.6 | 162.5 | 13.7 | 194.4 | 16.7 | 227.6 | 20.0 | 246.8 | 22.2 | |
| 105 | 114.6 | 10.2 | 139.3 | 12.6 | 162.5 | 14.8 | 194.4 | 18.1 | 221.9 | 21.1 | 235.1 | 22.8 | |
| 110 | 114.6 | 10.9 | 139.3 | 13.4 | 162.5 | 15.9 | 193.2 | 19.2 | 210.9 | 21.3 | 214.9 | 22.3 | |
| 115 | 114.6 | 11.6 | 139.3 | 14.2 | 162.3 | 16.8 | 180.0 | 18.8 | 185.7 | 19.9 | 189.3 | 20.7 | |
| 118 | 114.6 | 11.9 | 139.3 | 14.6 | 153.1 | 16.2 | 162.6 | 17.5 | 167.5 | 18.4 | 170.7 | 19.2 | |
| 125 | 100.2 | 10.8 | 104.6 | 11.4 | 108.2 | 11.9 | 112.4 | 12.6 | 115.8 | 13.3 | 118.0 | 13.8 | |
| 80% | -10 | 101.9 | 3.1 | 123.8 | 3.8 | 144.4 | 4.5 | 172.8 | 5.5 | 202.5 | 6.6 | 230.8 | 7.7 |
| | -5 | 101.9 | 3.3 | 123.8 | 4.1 | 144.4 | 4.8 | 172.8 | 5.9 | 202.5 | 7.0 | 230.8 | 8.2 |
| | 10 | 101.9 | 3.4 | 123.8 | 4.2 | 144.4 | 4.9 | 172.8 | 6.0 | 202.5 | 7.2 | 230.8 | 8.4 |
| | 15 | 101.9 | 3.5 | 123.8 | 4.3 | 144.4 | 5.0 | 172.8 | 6.1 | 202.5 | 7.3 | 230.8 | 8.6 |
| | 20 | 101.9 | 3.5 | 123.8 | 4.4 | 144.4 | 5.1 | 172.8 | 6.3 | 202.5 | 7.5 | 230.8 | 8.8 |
| | 25 | 101.9 | 3.6 | 123.8 | 4.5 | 144.4 | 5.3 | 172.8 | 6.4 | 202.5 | 7.7 | 230.8 | 9.0 |
| | 30 | 101.9 | 3.7 | 123.8 | 4.6 | 144.4 | 5.4 | 172.8 | 6.6 | 202.5 | 7.9 | 230.8 | 9.2 |
| | 35 | 101.9 | 3.8 | 123.8 | 4.7 | 144.4 | 5.5 | 172.8 | 6.7 | 202.5 | 8.0 | 230.8 | 9.4 |
| | 40 | 101.9 | 3.9 | 123.8 | 4.8 | 144.4 | 5.6 | 172.8 | 6.9 | 202.5 | 8.2 | 230.8 | 9.6 |
| | 45 | 101.9 | 4.0 | 123.8 | 4.9 | 144.4 | 5.8 | 172.8 | 7.1 | 202.5 | 8.4 | 230.8 | 9.9 |
| | 50 | 101.9 | 4.1 | 123.8 | 5.0 | 144.4 | 5.9 | 172.8 | 7.2 | 202.5 | 8.7 | 230.8 | 10.1 |
| | 55 | 101.9 | 4.2 | 123.8 | 5.2 | 144.4 | 6.1 | 172.8 | 7.4 | 202.5 | 8.9 | 230.8 | 10.4 |
| | 60 | 101.9 | 4.3 | 123.8 | 5.3 | 144.4 | 6.3 | 172.8 | 7.6 | 202.5 | 9.1 | 230.8 | 10.7 |
| | 65 | 101.9 | 4.4 | 123.8 | 5.4 | 144.4 | 6.4 | 172.8 | 7.8 | 202.5 | 9.4 | 230.8 | 11.0 |
| | 70 | 101.9 | 4.8 | 123.8 | 5.9 | 144.4 | 7.0 | 172.8 | 8.5 | 202.5 | 10.2 | 230.8 | 11.9 |
| | 75 | 101.9 | 5.3 | 123.8 | 6.5 | 144.4 | 7.7 | 172.8 | 9.4 | 202.5 | 11.2 | 230.8 | 13.1 |
| | 80 | 101.9 | 5.8 | 123.8 | 7.1 | 144.4 | 8.4 | 172.8 | 10.3 | 202.5 | 12.3 | 230.8 | 14.4 |
| | 85 | 101.9 | 6.4 | 123.8 | 7.8 | 144.4 | 9.3 | 172.8 | 11.3 | 202.5 | 13.5 | 230.8 | 15.8 |
| | 90 | 101.9 | 7.0 | 123.8 | 8.6 | 144.4 | 10.1 | 172.8 | 12.4 | 202.5 | 14.8 | 230.8 | 17.3 |
| | 95 | 101.9 | 7.6 | 123.8 | 9.4 | 144.4 | 11.1 | 172.8 | 13.5 | 202.5 | 16.2 | 230.8 | 18.9 |
| 100 | 101.9 | 8.3 | 123.8 | 10.2 | 144.4 | 12.0 | 172.8 | 14.7 | 202.5 | 17.6 | 230.8 | 20.5 | |
| 105 | 101.9 | 9.0 | 123.8 | 11.0 | 144.4 | 13.0 | 172.8 | 15.8 | 202.5 | 19.0 | 225.5 | 21.6 | |
| 110 | 101.9 | 9.6 | 123.8 | 11.8 | 144.4 | 13.9 | 172.8 | 16.9 | 199.9 | 20.0 | 214.6 | 21.9 | |
| 115 | 101.9 | 10.1 | 123.8 | 12.5 | 144.4 | 14.7 | 170.4 | 17.7 | 185.7 | 19.6 | 189.3 | 20.4 | |
| 118 | 101.9 | 10.4 | 123.8 | 12.8 | 144.4 | 15.1 | 160.8 | 17.1 | 167.5 | 18.1 | 170.7 | 18.9 | |
| 125 | 96.1 | 10.2 | 104.6 | 11.2 | 108.2 | 11.7 | 112.4 | 12.4 | 115.8 | 13.1 | 118.0 | 13.6 | |

NOTE - Power Input = Compressor + Outdoor Fan Motor.
MBH = 1000 BTUs per hour.

COOLING CAPACITY - TWO MODULE | VRB216L4

| Combination (%) | Outdoor Temperature °F (Dry Bulb) | Indoor Temperature - °F (Dry Bulb / Wet Bulb) | | | | | | | | | | | |
|-----------------|-----------------------------------|---|-------------|------------|-------------|------------|-------------|------------|-------------|------------|-------------|------------|-------------|
| | | 67 / 57 | | 71 / 60 | | 75 / 63 | | 80 / 67 | | 85 / 71 | | 90 / 75 | |
| | | Total Cap. | Power Input | Total Cap. | Power Input | Total Cap. | Power Input | Total Cap. | Power Input | Total Cap. | Power Input | Total Cap. | Power Input |
| | | MBH | kW | MBH | kW | MBH | kW | MBH | kW | MBH | kW | MBH | kW |
| 70% | -10 | 89.1 | 2.7 | 108.3 | 3.3 | 126.4 | 3.9 | 151.2 | 4.8 | 177.2 | 5.7 | 202.0 | 6.7 |
| | -5 | 89.1 | 2.9 | 108.3 | 3.5 | 126.4 | 4.2 | 151.2 | 5.1 | 177.2 | 6.1 | 202.0 | 7.1 |
| | 10 | 89.1 | 2.9 | 108.3 | 3.6 | 126.4 | 4.2 | 151.2 | 5.2 | 177.2 | 6.2 | 202.0 | 7.2 |
| | 15 | 89.1 | 3.0 | 108.3 | 3.7 | 126.4 | 4.3 | 151.2 | 5.3 | 177.2 | 6.3 | 202.0 | 7.4 |
| | 20 | 89.1 | 3.1 | 108.3 | 3.8 | 126.4 | 4.4 | 151.2 | 5.4 | 177.2 | 6.5 | 202.0 | 7.6 |
| | 25 | 89.1 | 3.1 | 108.3 | 3.8 | 126.4 | 4.5 | 151.2 | 5.5 | 177.2 | 6.6 | 202.0 | 7.7 |
| | 30 | 89.1 | 3.2 | 108.3 | 3.9 | 126.4 | 4.6 | 151.2 | 5.7 | 177.2 | 6.8 | 202.0 | 7.9 |
| | 35 | 89.1 | 3.3 | 108.3 | 4.0 | 126.4 | 4.7 | 151.2 | 5.8 | 177.2 | 6.9 | 202.0 | 8.1 |
| | 40 | 89.1 | 3.4 | 108.3 | 4.1 | 126.4 | 4.9 | 151.2 | 5.9 | 177.2 | 7.1 | 202.0 | 8.3 |
| | 45 | 89.1 | 3.4 | 108.3 | 4.2 | 126.4 | 5.0 | 151.2 | 6.1 | 177.2 | 7.3 | 202.0 | 8.5 |
| | 50 | 89.1 | 3.5 | 108.3 | 4.3 | 126.4 | 5.1 | 151.2 | 6.2 | 177.2 | 7.5 | 202.0 | 8.7 |
| | 55 | 89.1 | 3.6 | 108.3 | 4.4 | 126.4 | 5.3 | 151.2 | 6.4 | 177.2 | 7.7 | 202.0 | 9.0 |
| | 60 | 89.1 | 3.7 | 108.3 | 4.6 | 126.4 | 5.4 | 151.2 | 6.6 | 177.2 | 7.9 | 202.0 | 9.2 |
| | 65 | 89.1 | 3.8 | 108.3 | 4.7 | 126.4 | 5.5 | 151.2 | 6.8 | 177.2 | 8.1 | 202.0 | 9.5 |
| | 70 | 89.1 | 4.2 | 108.3 | 5.1 | 126.4 | 6.0 | 151.2 | 7.4 | 177.2 | 8.8 | 202.0 | 10.3 |
| | 75 | 89.1 | 4.6 | 108.3 | 5.6 | 126.4 | 6.6 | 151.2 | 8.1 | 177.2 | 9.7 | 202.0 | 11.3 |
| | 80 | 89.1 | 5.0 | 108.3 | 6.2 | 126.4 | 7.3 | 151.2 | 8.9 | 177.2 | 10.6 | 202.0 | 12.4 |
| | 85 | 89.1 | 5.5 | 108.3 | 6.8 | 126.4 | 8.0 | 151.2 | 9.7 | 177.2 | 11.6 | 202.0 | 13.6 |
| | 90 | 89.1 | 6.0 | 108.3 | 7.4 | 126.4 | 8.7 | 151.2 | 10.7 | 177.2 | 12.8 | 202.0 | 14.9 |
| | 95 | 89.1 | 6.6 | 108.3 | 8.1 | 126.4 | 9.5 | 151.2 | 11.6 | 177.2 | 13.9 | 202.0 | 16.3 |
| 100 | 89.1 | 7.2 | 108.3 | 8.8 | 126.4 | 10.4 | 151.2 | 12.6 | 177.2 | 15.2 | 202.0 | 17.7 | |
| 105 | 89.1 | 7.7 | 108.3 | 9.5 | 126.4 | 11.2 | 151.2 | 13.7 | 177.2 | 16.4 | 202.0 | 19.1 | |
| 110 | 89.1 | 8.3 | 108.3 | 10.2 | 126.4 | 12.0 | 151.2 | 14.6 | 177.2 | 17.5 | 201.8 | 20.4 | |
| 115 | 89.1 | 8.7 | 108.3 | 10.7 | 126.4 | 12.7 | 151.2 | 15.5 | 175.1 | 18.3 | 188.0 | 20.0 | |
| 118 | 89.1 | 9.0 | 108.3 | 11.0 | 126.4 | 13.0 | 151.2 | 15.9 | 165.2 | 17.7 | 170.7 | 18.7 | |
| 125 | 87.4 | 9.2 | 101.2 | 10.7 | 108.2 | 11.6 | 112.4 | 12.2 | 115.8 | 12.9 | 118.0 | 13.4 | |
| 60% | -10 | 76.4 | 2.3 | 92.8 | 2.8 | 108.3 | 3.3 | 129.6 | 4.0 | 151.8 | 4.8 | 173.1 | 5.6 |
| | -5 | 76.4 | 2.4 | 92.8 | 3.0 | 108.3 | 3.5 | 129.6 | 4.3 | 151.8 | 5.1 | 173.1 | 6.0 |
| | 10 | 76.4 | 2.5 | 92.8 | 3.0 | 108.3 | 3.6 | 129.6 | 4.4 | 151.8 | 5.2 | 173.1 | 6.1 |
| | 15 | 76.4 | 2.5 | 92.8 | 3.1 | 108.3 | 3.7 | 129.6 | 4.5 | 151.8 | 5.4 | 173.1 | 6.2 |
| | 20 | 76.4 | 2.6 | 92.8 | 3.2 | 108.3 | 3.7 | 129.6 | 4.6 | 151.8 | 5.5 | 173.1 | 6.4 |
| | 25 | 76.4 | 2.6 | 92.8 | 3.2 | 108.3 | 3.8 | 129.6 | 4.7 | 151.8 | 5.6 | 173.1 | 6.5 |
| | 30 | 76.4 | 2.7 | 92.8 | 3.3 | 108.3 | 3.9 | 129.6 | 4.8 | 151.8 | 5.7 | 173.1 | 6.7 |
| | 35 | 76.4 | 2.8 | 92.8 | 3.4 | 108.3 | 4.0 | 129.6 | 4.9 | 151.8 | 5.9 | 173.1 | 6.8 |
| | 40 | 76.4 | 2.8 | 92.8 | 3.5 | 108.3 | 4.1 | 129.6 | 5.0 | 151.8 | 6.0 | 173.1 | 7.0 |
| | 45 | 76.4 | 2.9 | 92.8 | 3.6 | 108.3 | 4.2 | 129.6 | 5.1 | 151.8 | 6.2 | 173.1 | 7.2 |
| | 50 | 76.4 | 3.0 | 92.8 | 3.7 | 108.3 | 4.3 | 129.6 | 5.3 | 151.8 | 6.3 | 173.1 | 7.4 |
| | 55 | 76.4 | 3.1 | 92.8 | 3.8 | 108.3 | 4.4 | 129.6 | 5.4 | 151.8 | 6.5 | 173.1 | 7.6 |
| | 60 | 76.4 | 3.1 | 92.8 | 3.9 | 108.3 | 4.6 | 129.6 | 5.6 | 151.8 | 6.7 | 173.1 | 7.8 |
| | 65 | 76.4 | 3.2 | 92.8 | 4.0 | 108.3 | 4.7 | 129.6 | 5.7 | 151.8 | 6.8 | 173.1 | 8.0 |
| | 70 | 76.4 | 3.5 | 92.8 | 4.3 | 108.3 | 5.1 | 129.6 | 6.2 | 151.8 | 7.4 | 173.1 | 8.7 |
| | 75 | 76.4 | 3.9 | 92.8 | 4.7 | 108.3 | 5.6 | 129.6 | 6.8 | 151.8 | 8.2 | 173.1 | 9.5 |
| | 80 | 76.4 | 4.2 | 92.8 | 5.2 | 108.3 | 6.1 | 129.6 | 7.5 | 151.8 | 9.0 | 173.1 | 10.5 |
| | 85 | 76.4 | 4.6 | 92.8 | 5.7 | 108.3 | 6.7 | 129.6 | 8.2 | 151.8 | 9.8 | 173.1 | 11.5 |
| | 90 | 76.4 | 5.1 | 92.8 | 6.3 | 108.3 | 7.4 | 129.6 | 9.0 | 151.8 | 10.8 | 173.1 | 12.6 |
| | 95 | 76.4 | 5.6 | 92.8 | 6.8 | 108.3 | 8.1 | 129.6 | 9.8 | 151.8 | 11.8 | 173.1 | 13.8 |
| 100 | 76.4 | 6.0 | 92.8 | 7.4 | 108.3 | 8.8 | 129.6 | 10.7 | 151.8 | 12.8 | 173.1 | 14.9 | |
| 105 | 76.4 | 6.5 | 92.8 | 8.0 | 108.3 | 9.5 | 129.6 | 11.5 | 151.8 | 13.8 | 173.1 | 16.1 | |
| 110 | 76.4 | 7.0 | 92.8 | 8.6 | 108.3 | 10.1 | 129.6 | 12.3 | 151.8 | 14.8 | 173.1 | 17.3 | |
| 115 | 76.4 | 7.4 | 92.8 | 9.1 | 108.3 | 10.7 | 129.6 | 13.1 | 151.8 | 15.7 | 173.1 | 18.3 | |
| 118 | 76.4 | 7.6 | 92.8 | 9.3 | 108.3 | 11.0 | 129.6 | 13.4 | 151.8 | 16.1 | 165.1 | 17.9 | |
| 125 | 76.4 | 7.9 | 92.8 | 9.7 | 103.0 | 10.9 | 112.4 | 12.1 | 115.8 | 12.7 | 118.0 | 13.3 | |

NOTE - Power Input = Compressor + Outdoor Fan Motor.
 MBH = 1000 BTUs per hour.

COOLING CAPACITY - TWO MODULE | VRB216L4

| Combination (%) | Outdoor Temperature °F (Dry Bulb) | Indoor Temperature - °F (Dry Bulb / Wet Bulb) | | | | | | | | | | | |
|-----------------|-----------------------------------|---|-------------|------------|-------------|------------|-------------|------------|-------------|------------|-------------|------------|-------------|
| | | 67 / 57 | | 71 / 60 | | 75 / 63 | | 80 / 67 | | 85 / 71 | | 90 / 75 | |
| | | Total Cap. | Power Input | Total Cap. | Power Input | Total Cap. | Power Input | Total Cap. | Power Input | Total Cap. | Power Input | Total Cap. | Power Input |
| | | MBH | kW | MBH | kW | MBH | kW | MBH | kW | MBH | kW | MBH | kW |
| 50% | -10 | 59.9 | 1.8 | 77.4 | 2.3 | 90.3 | 2.7 | 108.0 | 3.3 | 126.5 | 4.0 | 144.3 | 4.6 |
| | -5 | 63.7 | 2.0 | 77.4 | 2.4 | 90.3 | 2.9 | 108.0 | 3.5 | 126.5 | 4.2 | 144.3 | 4.9 |
| | 10 | 63.7 | 2.0 | 77.4 | 2.5 | 90.3 | 2.9 | 108.0 | 3.6 | 126.5 | 4.3 | 144.3 | 5.0 |
| | 15 | 63.7 | 2.1 | 77.4 | 2.6 | 90.3 | 3.0 | 108.0 | 3.7 | 126.5 | 4.4 | 144.3 | 5.1 |
| | 20 | 63.7 | 2.1 | 77.4 | 2.6 | 90.3 | 3.1 | 108.0 | 3.7 | 126.5 | 4.5 | 144.3 | 5.2 |
| | 25 | 63.7 | 2.2 | 77.4 | 2.7 | 90.3 | 3.1 | 108.0 | 3.8 | 126.5 | 4.6 | 144.3 | 5.4 |
| | 30 | 63.7 | 2.2 | 77.4 | 2.7 | 90.3 | 3.2 | 108.0 | 3.9 | 126.5 | 4.7 | 144.3 | 5.5 |
| | 35 | 63.7 | 2.3 | 77.4 | 2.8 | 90.3 | 3.3 | 108.0 | 4.0 | 126.5 | 4.8 | 144.3 | 5.6 |
| | 40 | 63.7 | 2.3 | 77.4 | 2.9 | 90.3 | 3.4 | 108.0 | 4.1 | 126.5 | 4.9 | 144.3 | 5.8 |
| | 45 | 63.7 | 2.4 | 77.4 | 2.9 | 90.3 | 3.5 | 108.0 | 4.2 | 126.5 | 5.1 | 144.3 | 5.9 |
| | 50 | 63.7 | 2.4 | 77.4 | 3.0 | 90.3 | 3.6 | 108.0 | 4.3 | 126.5 | 5.2 | 144.3 | 6.1 |
| | 55 | 63.7 | 2.5 | 77.4 | 3.1 | 90.3 | 3.6 | 108.0 | 4.4 | 126.5 | 5.3 | 144.3 | 6.2 |
| | 60 | 63.7 | 2.6 | 77.4 | 3.2 | 90.3 | 3.7 | 108.0 | 4.6 | 126.5 | 5.5 | 144.3 | 6.4 |
| | 65 | 63.7 | 2.7 | 77.4 | 3.3 | 90.3 | 3.9 | 108.0 | 4.7 | 126.5 | 5.6 | 144.3 | 6.6 |
| | 70 | 63.7 | 2.9 | 77.4 | 3.5 | 90.3 | 4.2 | 108.0 | 5.1 | 126.5 | 6.1 | 144.3 | 7.1 |
| | 75 | 63.7 | 3.2 | 77.4 | 3.9 | 90.3 | 4.6 | 108.0 | 5.6 | 126.5 | 6.7 | 144.3 | 7.8 |
| | 80 | 63.7 | 3.5 | 77.4 | 4.3 | 90.3 | 5.0 | 108.0 | 6.2 | 126.5 | 7.4 | 144.3 | 8.6 |
| | 85 | 63.7 | 3.8 | 77.4 | 4.7 | 90.3 | 5.5 | 108.0 | 6.8 | 126.5 | 8.1 | 144.3 | 9.4 |
| | 90 | 63.7 | 4.2 | 77.4 | 5.1 | 90.3 | 6.1 | 108.0 | 7.4 | 126.5 | 8.9 | 144.3 | 10.3 |
| | 95 | 63.7 | 4.6 | 77.4 | 5.6 | 90.3 | 6.6 | 108.0 | 8.1 | 126.5 | 9.7 | 144.3 | 11.3 |
| 100 | 63.7 | 5.0 | 77.4 | 6.1 | 90.3 | 7.2 | 108.0 | 8.8 | 126.5 | 10.5 | 144.3 | 12.3 | |
| 105 | 63.7 | 5.4 | 77.4 | 6.6 | 90.3 | 7.8 | 108.0 | 9.5 | 126.5 | 11.4 | 144.3 | 13.3 | |
| 110 | 63.7 | 5.7 | 77.4 | 7.1 | 90.3 | 8.3 | 108.0 | 10.1 | 126.5 | 12.2 | 144.3 | 14.2 | |
| 115 | 63.7 | 6.1 | 77.4 | 7.5 | 90.3 | 8.8 | 108.0 | 10.7 | 126.5 | 12.9 | 144.3 | 15.0 | |
| 118 | 63.7 | 6.2 | 77.4 | 7.7 | 90.3 | 9.1 | 108.0 | 11.0 | 126.5 | 13.2 | 144.3 | 15.4 | |
| 125 | 63.7 | 6.5 | 77.4 | 8.0 | 90.3 | 9.4 | 105.0 | 11.2 | 114.9 | 12.4 | 118.0 | 13.1 | |

NOTE - Power Input = Compressor + Outdoor Fan Motor.
 MBH = 1000 BTUs per hour.

HEATING CAPACITY - TWO MODULE | VRB216L4

| Combination (%) | Outdoor Temperature (°F) | | Indoor Temperature - °F Dry Bulb | | | | | | | | | | | |
|-----------------|--------------------------|----------|----------------------------------|----------------|----------------|----------------|----------------|----------------|----------------|----------------|----------------|----------------|----------------|----------------|
| | | | 61 | | 64 | | 67 | | 70 | | 73 | | 75 | |
| | Dry Bulb | Wet Bulb | Total Cap. MBH | Power Input kW | Total Cap. MBH | Power Input kW | Total Cap. MBH | Power Input kW | Total Cap. MBH | Power Input kW | Total Cap. MBH | Power Input kW | Total Cap. MBH | Power Input kW |
| 130% | -22 | -23 | 159.7 | 23.8 | 156.3 | 24.5 | 153.4 | 25.2 | 150.5 | 26.0 | 147.9 | 26.8 | 146.3 | 27.3 |
| | -17 | -18 | 192.0 | 25.7 | 188.6 | 26.4 | 185.6 | 27.1 | 182.6 | 27.8 | 179.9 | 28.6 | 178.3 | 29.1 |
| | -13 | -14 | 218.2 | 27.1 | 216.2 | 27.9 | 214.4 | 28.7 | 212.6 | 29.6 | 210.9 | 30.5 | 209.9 | 31.1 |
| | -8 | -9 | 230.1 | 27.9 | 228.9 | 28.8 | 227.8 | 29.6 | 226.7 | 30.6 | 225.7 | 31.5 | 225.1 | 32.2 |
| | -3 | -4 | 240.3 | 28.5 | 239.4 | 29.4 | 238.5 | 30.3 | 237.6 | 31.2 | 236.8 | 32.2 | 236.3 | 32.9 |
| | 2 | 1 | 250.4 | 29.3 | 249.4 | 30.2 | 248.5 | 31.1 | 247.5 | 32.1 | 246.6 | 33.1 | 246.0 | 33.8 |
| | 7 | 6 | 261.7 | 29.4 | 260.6 | 30.3 | 259.5 | 31.2 | 258.3 | 32.2 | 257.2 | 33.2 | 256.5 | 33.8 |
| | 12 | 10 | 272.1 | 29.6 | 270.7 | 30.5 | 269.5 | 31.4 | 268.2 | 32.3 | 266.9 | 33.3 | 266.1 | 34.0 |
| | 17 | 15 | 286.7 | 29.9 | 285.2 | 30.9 | 283.8 | 31.7 | 282.3 | 32.7 | 280.9 | 33.7 | 279.4 | 34.0 |
| | 22 | 20 | 302.4 | 30.4 | 300.6 | 31.3 | 299.0 | 32.2 | 297.4 | 33.2 | 295.9 | 33.6 | 283.0 | 31.7 |
| | 27 | 24 | 316.6 | 30.9 | 314.7 | 31.8 | 313.0 | 32.7 | 309.8 | 33.1 | 295.9 | 31.2 | 283.0 | 29.3 |
| | 32 | 29 | 334.4 | 31.6 | 332.3 | 32.5 | 328.6 | 32.6 | 315.9 | 31.1 | 295.9 | 28.3 | 283.0 | 26.5 |
| | 37 | 34 | 353.8 | 32.4 | 348.0 | 32.2 | 335.9 | 30.7 | 315.9 | 28.0 | 295.9 | 25.4 | 283.0 | 24.0 |
| | 42 | 38 | 366.3 | 32.0 | 354.7 | 30.8 | 335.9 | 28.3 | 315.9 | 25.7 | 295.9 | 23.6 | 283.0 | 22.3 |
| | 47 | 43 | 374.6 | 30.2 | 354.7 | 27.6 | 335.9 | 25.3 | 315.9 | 23.3 | 295.9 | 21.4 | 283.0 | 20.3 |
| | 52 | 47 | 374.6 | 27.7 | 354.7 | 25.3 | 335.9 | 23.4 | 315.9 | 21.6 | 295.9 | 20.0 | 283.0 | 18.9 |
| | 57 | 52 | 374.6 | 24.7 | 354.7 | 22.9 | 335.9 | 21.3 | 315.9 | 19.7 | 295.9 | 18.2 | 283.0 | 17.2 |
| | 62 | 56 | 374.6 | 22.9 | 354.7 | 21.2 | 335.9 | 19.8 | 315.9 | 18.3 | 295.9 | 16.8 | 283.0 | 16.0 |
| | 67 | 61 | 374.6 | 20.8 | 354.7 | 19.3 | 335.9 | 17.9 | 315.9 | 16.6 | 295.9 | 15.3 | 283.0 | 14.5 |
| | 72 | 66 | 374.6 | 18.8 | 354.7 | 17.5 | 335.9 | 16.2 | 315.9 | 15.0 | 295.9 | 13.9 | 283.0 | 13.2 |
| 75 | 69 | 374.6 | 17.7 | 354.7 | 16.4 | 335.9 | 15.2 | 315.9 | 14.2 | 295.9 | 13.1 | 283.0 | 12.5 | |
| 80 | 74 | 374.6 | 16.0 | 354.7 | 14.9 | 335.9 | 13.9 | 315.9 | 12.9 | 295.9 | 12.0 | 283.0 | 11.4 | |
| 120% | -22 | -23 | 157.6 | 24.1 | 154.4 | 24.9 | 151.6 | 25.6 | 148.8 | 26.3 | 146.3 | 27.2 | 144.8 | 27.7 |
| | -17 | -18 | 189.2 | 26.1 | 185.9 | 26.8 | 183.1 | 27.5 | 180.3 | 28.2 | 177.7 | 29.0 | 176.2 | 29.6 |
| | -13 | -14 | 216.0 | 27.6 | 214.1 | 28.4 | 212.3 | 29.2 | 210.7 | 30.1 | 209.1 | 31.0 | 208.2 | 31.6 |
| | -8 | -9 | 228.4 | 28.5 | 227.2 | 29.4 | 226.2 | 30.2 | 225.2 | 31.2 | 224.2 | 32.2 | 223.6 | 32.8 |
| | -3 | -4 | 238.8 | 29.1 | 237.8 | 30.0 | 237.0 | 30.9 | 236.2 | 31.9 | 235.4 | 32.9 | 234.8 | 33.6 |
| | 2 | 1 | 248.8 | 30.0 | 247.8 | 30.9 | 246.9 | 31.8 | 245.9 | 32.8 | 245.0 | 33.8 | 244.2 | 34.5 |
| | 7 | 6 | 259.9 | 30.1 | 258.8 | 31.0 | 257.7 | 31.9 | 256.6 | 32.9 | 255.5 | 33.9 | 256.7 | 34.8 |
| | 12 | 10 | 270.1 | 30.3 | 268.8 | 31.2 | 267.6 | 32.1 | 266.3 | 33.1 | 267.4 | 34.4 | 261.2 | 33.6 |
| | 17 | 15 | 284.6 | 30.7 | 283.1 | 31.6 | 281.7 | 32.5 | 280.2 | 33.5 | 273.2 | 32.7 | 261.2 | 30.9 |
| | 22 | 20 | 300.0 | 31.2 | 298.3 | 32.1 | 296.7 | 33.0 | 291.6 | 32.7 | 273.2 | 30.0 | 261.2 | 28.3 |
| | 27 | 24 | 314.0 | 31.7 | 312.1 | 32.7 | 310.0 | 32.8 | 291.6 | 30.2 | 273.2 | 27.6 | 261.2 | 26.0 |
| | 32 | 29 | 333.5 | 32.5 | 327.4 | 32.3 | 310.0 | 29.9 | 291.6 | 27.4 | 273.2 | 25.0 | 261.2 | 23.7 |
| | 37 | 34 | 345.8 | 31.6 | 327.4 | 29.2 | 310.0 | 26.9 | 291.6 | 24.7 | 273.2 | 22.7 | 261.2 | 21.5 |
| | 42 | 38 | 345.8 | 29.1 | 327.4 | 26.8 | 310.0 | 24.7 | 291.6 | 22.9 | 273.2 | 21.1 | 261.2 | 20.1 |
| | 47 | 43 | 345.8 | 26.1 | 327.4 | 24.1 | 310.0 | 22.4 | 291.6 | 20.8 | 273.2 | 19.3 | 261.2 | 18.3 |
| | 52 | 47 | 345.8 | 24.0 | 327.4 | 22.3 | 310.0 | 20.8 | 291.6 | 19.3 | 273.2 | 17.9 | 261.2 | 17.0 |
| | 57 | 52 | 345.8 | 21.8 | 327.4 | 20.3 | 310.0 | 19.0 | 291.6 | 17.6 | 273.2 | 16.3 | 261.2 | 15.5 |
| | 62 | 56 | 345.8 | 20.2 | 327.4 | 18.8 | 310.0 | 17.6 | 291.6 | 16.3 | 273.2 | 15.1 | 261.2 | 14.4 |
| | 67 | 61 | 345.8 | 18.3 | 327.4 | 17.0 | 310.0 | 15.9 | 291.6 | 14.8 | 273.2 | 13.8 | 261.2 | 13.1 |
| | 72 | 66 | 345.8 | 16.5 | 327.4 | 15.4 | 310.0 | 14.4 | 291.6 | 13.5 | 273.2 | 12.5 | 261.2 | 11.9 |
| 75 | 69 | 345.8 | 15.5 | 327.4 | 14.5 | 310.0 | 13.6 | 291.6 | 12.7 | 273.2 | 11.8 | 261.2 | 11.3 | |
| 80 | 74 | 345.8 | 14.1 | 327.4 | 13.2 | 310.0 | 12.4 | 291.6 | 11.6 | 273.2 | 10.8 | 261.2 | 10.4 | |

NOTE - Power Input = Compressor + Outdoor Fan Motor.
 MBH = 1000 BTUs per hour.

HEATING CAPACITY - TWO MODULE | VRB216L4

| Combination (%) | Outdoor Temperature (°F) | | Indoor Temperature - °F Dry Bulb | | | | | | | | | | | |
|-----------------|--------------------------|----------|----------------------------------|----------------|----------------|----------------|----------------|----------------|----------------|----------------|----------------|----------------|----------------|----------------|
| | | | 61 | | 64 | | 67 | | 70 | | 73 | | 75 | |
| | Dry Bulb | Wet Bulb | Total Cap. MBH | Power Input kW | Total Cap. MBH | Power Input kW | Total Cap. MBH | Power Input kW | Total Cap. MBH | Power Input kW | Total Cap. MBH | Power Input kW | Total Cap. MBH | Power Input kW |
| 110% | -22 | -23 | 155.2 | 24.5 | 152.2 | 25.2 | 149.6 | 26.0 | 147.0 | 26.8 | 144.7 | 27.6 | 143.2 | 28.1 |
| | -17 | -18 | 186.3 | 26.5 | 183.2 | 27.2 | 180.5 | 27.9 | 177.9 | 28.7 | 175.4 | 29.5 | 174.0 | 30.1 |
| | -13 | -14 | 213.7 | 28.2 | 211.9 | 29.1 | 210.3 | 29.9 | 208.7 | 30.7 | 207.3 | 31.7 | 206.4 | 32.3 |
| | -8 | -9 | 226.6 | 29.2 | 225.5 | 30.1 | 224.6 | 31.0 | 223.6 | 31.9 | 222.7 | 32.9 | 222.2 | 33.6 |
| | -3 | -4 | 237.2 | 29.9 | 236.3 | 30.8 | 235.5 | 31.7 | 234.7 | 32.7 | 233.9 | 33.7 | 231.7 | 34.0 |
| | 2 | 1 | 247.1 | 30.7 | 246.1 | 31.7 | 245.3 | 32.6 | 244.3 | 33.7 | 242.6 | 34.5 | 239.5 | 34.2 |
| | 7 | 6 | 258.1 | 30.9 | 256.9 | 31.8 | 255.9 | 32.8 | 254.8 | 33.8 | 250.4 | 33.5 | 239.5 | 32.0 |
| | 12 | 10 | 268.1 | 31.1 | 266.8 | 32.1 | 265.6 | 33.0 | 267.3 | 34.2 | 250.4 | 31.6 | 239.5 | 30.1 |
| | 17 | 15 | 282.3 | 31.6 | 280.8 | 32.5 | 279.4 | 33.1 | 267.3 | 31.5 | 250.4 | 29.0 | 239.5 | 27.5 |
| | 22 | 20 | 297.4 | 32.1 | 294.8 | 32.5 | 284.2 | 31.2 | 267.3 | 28.8 | 250.4 | 26.4 | 239.5 | 25.1 |
| | 27 | 24 | 310.2 | 32.1 | 300.1 | 31.0 | 284.2 | 28.8 | 267.3 | 26.5 | 250.4 | 24.4 | 239.5 | 23.2 |
| | 32 | 29 | 317.0 | 30.4 | 300.1 | 28.1 | 284.2 | 26.0 | 267.3 | 24.1 | 250.4 | 22.3 | 239.5 | 21.2 |
| | 37 | 34 | 317.0 | 27.3 | 300.1 | 25.2 | 284.2 | 23.5 | 267.3 | 21.8 | 250.4 | 20.3 | 239.5 | 19.3 |
| | 42 | 38 | 317.0 | 25.0 | 300.1 | 23.3 | 284.2 | 21.8 | 267.3 | 20.3 | 250.4 | 18.9 | 239.5 | 18.0 |
| | 47 | 43 | 317.0 | 22.7 | 300.1 | 21.2 | 284.2 | 19.9 | 267.3 | 18.5 | 250.4 | 17.2 | 239.5 | 16.4 |
| | 52 | 47 | 317.0 | 21.0 | 300.1 | 19.7 | 284.2 | 18.4 | 267.3 | 17.2 | 250.4 | 16.0 | 239.5 | 15.3 |
| | 57 | 52 | 317.0 | 19.1 | 300.1 | 17.9 | 284.2 | 16.7 | 267.3 | 15.6 | 250.4 | 14.6 | 239.5 | 13.9 |
| | 62 | 56 | 317.0 | 17.7 | 300.1 | 16.5 | 284.2 | 15.5 | 267.3 | 14.5 | 250.4 | 13.6 | 239.5 | 12.9 |
| | 67 | 61 | 317.0 | 16.0 | 300.1 | 15.0 | 284.2 | 14.1 | 267.3 | 13.2 | 250.4 | 12.3 | 239.5 | 11.8 |
| | 72 | 66 | 317.0 | 14.5 | 300.1 | 13.6 | 284.2 | 12.8 | 267.3 | 12.0 | 250.4 | 11.2 | 239.5 | 10.7 |
| 75 | 69 | 317.0 | 13.6 | 300.1 | 12.8 | 284.2 | 12.1 | 267.3 | 11.3 | 250.4 | 10.6 | 239.5 | 10.1 | |
| 80 | 74 | 317.0 | 12.4 | 300.1 | 11.7 | 284.2 | 11.0 | 267.3 | 10.4 | 250.4 | 9.8 | 239.5 | 9.5 | |
| 100% | -22 | -23 | 152.5 | 25.0 | 149.7 | 25.7 | 147.3 | 26.4 | 144.9 | 27.2 | 142.7 | 28.1 | 141.4 | 28.6 |
| | -17 | -18 | 183.2 | 27.0 | 180.3 | 27.8 | 177.8 | 28.5 | 175.3 | 29.3 | 173.1 | 30.1 | 171.7 | 30.7 |
| | -13 | -14 | 211.4 | 28.9 | 209.7 | 29.8 | 208.2 | 30.6 | 206.7 | 31.5 | 205.4 | 32.5 | 204.6 | 33.1 |
| | -8 | -9 | 224.9 | 30.0 | 223.8 | 30.9 | 222.9 | 31.9 | 222.0 | 32.9 | 223.2 | 34.2 | 217.7 | 33.6 |
| | -3 | -4 | 235.6 | 30.8 | 234.7 | 31.7 | 234.0 | 32.7 | 233.2 | 33.7 | 227.6 | 33.3 | 217.7 | 32.0 |
| | 2 | 1 | 245.4 | 31.7 | 244.4 | 32.7 | 243.6 | 33.7 | 243.0 | 34.3 | 227.6 | 32.1 | 217.7 | 30.8 |
| | 7 | 6 | 256.1 | 31.9 | 255.0 | 32.9 | 255.2 | 33.9 | 243.0 | 32.1 | 227.6 | 29.9 | 217.7 | 28.5 |
| | 12 | 10 | 265.9 | 32.2 | 266.8 | 33.4 | 258.4 | 32.3 | 243.0 | 30.2 | 227.6 | 28.0 | 217.7 | 26.6 |
| | 17 | 15 | 281.2 | 32.7 | 272.8 | 31.7 | 258.4 | 29.7 | 243.0 | 27.6 | 227.6 | 25.5 | 217.7 | 24.4 |
| | 22 | 20 | 288.2 | 31.2 | 272.8 | 29.1 | 258.4 | 27.1 | 243.0 | 25.1 | 227.6 | 23.4 | 217.7 | 22.2 |
| | 27 | 24 | 288.2 | 28.8 | 272.8 | 26.8 | 258.4 | 24.9 | 243.0 | 23.2 | 227.6 | 21.6 | 217.7 | 20.6 |
| | 32 | 29 | 288.2 | 26.0 | 272.8 | 24.2 | 258.4 | 22.7 | 243.0 | 21.2 | 227.6 | 19.8 | 217.7 | 18.8 |
| | 37 | 34 | 288.2 | 23.5 | 272.8 | 22.0 | 258.4 | 20.6 | 243.0 | 19.3 | 227.6 | 18.0 | 217.7 | 17.2 |
| | 42 | 38 | 288.2 | 21.7 | 272.8 | 20.4 | 258.4 | 19.2 | 243.0 | 18.0 | 227.6 | 16.7 | 217.7 | 16.1 |
| | 47 | 43 | 288.2 | 19.8 | 272.8 | 18.6 | 258.4 | 17.5 | 243.0 | 16.3 | 227.6 | 15.3 | 217.7 | 14.7 |
| | 52 | 47 | 288.2 | 18.3 | 272.8 | 17.2 | 258.4 | 16.2 | 243.0 | 15.2 | 227.6 | 14.3 | 217.7 | 13.7 |
| | 57 | 52 | 288.2 | 16.7 | 272.8 | 15.6 | 258.4 | 14.8 | 243.0 | 13.9 | 227.6 | 13.0 | 217.7 | 12.5 |
| | 62 | 56 | 288.2 | 15.4 | 272.8 | 14.5 | 258.4 | 13.7 | 243.0 | 12.9 | 227.6 | 12.1 | 217.7 | 11.6 |
| | 67 | 61 | 288.2 | 14.0 | 272.8 | 13.2 | 258.4 | 12.5 | 243.0 | 11.7 | 227.6 | 11.0 | 217.7 | 10.5 |
| | 72 | 66 | 288.2 | 12.7 | 272.8 | 12.0 | 258.4 | 11.3 | 243.0 | 10.6 | 227.6 | 10.0 | 217.7 | 9.7 |
| 75 | 69 | 288.2 | 11.9 | 272.8 | 11.3 | 258.4 | 10.7 | 243.0 | 10.1 | 227.6 | 9.6 | 217.7 | 9.2 | |
| 80 | 74 | 288.2 | 10.9 | 272.8 | 10.3 | 258.4 | 9.8 | 243.0 | 9.4 | 227.6 | 8.9 | 217.7 | 8.5 | |

NOTE - Power Input = Compressor + Outdoor Fan Motor.
 MBH = 1000 BTUs per hour.

HEATING CAPACITY - TWO MODULE | VRB216L4

| Combination (%) | Outdoor Temperature (°F) | | Indoor Temperature - °F Dry Bulb | | | | | | | | | | | |
|-----------------|--------------------------|----------|----------------------------------|----------------|----------------|----------------|----------------|----------------|----------------|----------------|----------------|----------------|----------------|----------------|
| | | | 61 | | 64 | | 67 | | 70 | | 73 | | 75 | |
| | Dry Bulb | Wet Bulb | Total Cap. MBH | Power Input kW | Total Cap. MBH | Power Input kW | Total Cap. MBH | Power Input kW | Total Cap. MBH | Power Input kW | Total Cap. MBH | Power Input kW | Total Cap. MBH | Power Input kW |
| 90% | -22 | -23 | 149.7 | 25.5 | 147.1 | 26.3 | 144.8 | 27.0 | 142.6 | 27.8 | 140.6 | 28.7 | 139.4 | 29.2 |
| | -17 | -18 | 179.9 | 27.7 | 177.2 | 28.4 | 174.9 | 29.2 | 172.7 | 30.0 | 170.6 | 30.9 | 169.4 | 31.4 |
| | -13 | -14 | 208.9 | 29.8 | 207.4 | 30.7 | 206.0 | 31.6 | 204.7 | 32.5 | 204.9 | 33.6 | 195.9 | 32.6 |
| | -8 | -9 | 223.1 | 31.1 | 222.1 | 32.0 | 221.3 | 33.0 | 218.7 | 33.3 | 204.9 | 31.6 | 195.9 | 30.5 |
| | -3 | -4 | 233.9 | 31.9 | 233.1 | 32.9 | 232.5 | 33.5 | 218.7 | 31.6 | 204.9 | 29.9 | 195.9 | 28.8 |
| | 2 | 1 | 243.6 | 32.9 | 245.5 | 34.1 | 232.5 | 32.3 | 218.7 | 30.4 | 204.9 | 28.6 | 195.9 | 27.4 |
| | 7 | 6 | 255.4 | 33.2 | 245.5 | 31.9 | 232.5 | 30.1 | 218.7 | 28.2 | 204.9 | 26.4 | 195.9 | 25.3 |
| | 12 | 10 | 259.4 | 31.9 | 245.5 | 30.0 | 232.5 | 28.2 | 218.7 | 26.3 | 204.9 | 24.7 | 195.9 | 23.7 |
| | 17 | 15 | 259.4 | 29.3 | 245.5 | 27.4 | 232.5 | 25.7 | 218.7 | 24.1 | 204.9 | 22.5 | 195.9 | 21.5 |
| | 22 | 20 | 259.4 | 26.7 | 245.5 | 24.9 | 232.5 | 23.5 | 218.7 | 22.0 | 204.9 | 20.5 | 195.9 | 19.7 |
| | 27 | 24 | 259.4 | 24.5 | 245.5 | 23.0 | 232.5 | 21.7 | 218.7 | 20.3 | 204.9 | 19.0 | 195.9 | 18.2 |
| | 32 | 29 | 259.4 | 22.3 | 245.5 | 21.0 | 232.5 | 19.8 | 218.7 | 18.6 | 204.9 | 17.4 | 195.9 | 16.7 |
| | 37 | 34 | 259.4 | 20.2 | 245.5 | 19.1 | 232.5 | 18.0 | 218.7 | 16.9 | 204.9 | 16.0 | 195.9 | 15.3 |
| | 42 | 38 | 259.4 | 18.8 | 245.5 | 17.7 | 232.5 | 16.8 | 218.7 | 15.8 | 204.9 | 14.9 | 195.9 | 14.3 |
| | 47 | 43 | 259.4 | 17.1 | 245.5 | 16.1 | 232.5 | 15.3 | 218.7 | 14.5 | 204.9 | 13.6 | 195.9 | 13.1 |
| | 52 | 47 | 259.4 | 15.9 | 245.5 | 15.0 | 232.5 | 14.3 | 218.7 | 13.5 | 204.9 | 12.7 | 195.9 | 12.2 |
| | 57 | 52 | 259.4 | 14.4 | 245.5 | 13.7 | 232.5 | 13.0 | 218.7 | 12.2 | 204.9 | 11.5 | 195.9 | 11.0 |
| | 62 | 56 | 259.4 | 13.4 | 245.5 | 12.7 | 232.5 | 12.0 | 218.7 | 11.3 | 204.9 | 10.7 | 195.9 | 10.2 |
| | 67 | 61 | 259.4 | 12.2 | 245.5 | 11.5 | 232.5 | 10.9 | 218.7 | 10.3 | 204.9 | 9.8 | 195.9 | 9.4 |
| | 72 | 66 | 259.4 | 11.0 | 245.5 | 10.4 | 232.5 | 9.9 | 218.7 | 9.5 | 204.9 | 9.0 | 195.9 | 8.6 |
| 75 | 69 | 259.4 | 10.4 | 245.5 | 9.9 | 232.5 | 9.5 | 218.7 | 9.0 | 204.9 | 8.5 | 195.9 | 8.2 | |
| 80 | 74 | 259.4 | 9.5 | 245.5 | 9.2 | 232.5 | 8.8 | 218.7 | 8.3 | 204.9 | 7.9 | 195.9 | 7.6 | |
| 80% | -22 | -23 | 146.7 | 26.2 | 144.3 | 27.0 | 142.2 | 27.7 | 140.2 | 28.6 | 138.4 | 29.4 | 137.3 | 30.0 |
| | -17 | -18 | 176.3 | 28.5 | 174.0 | 29.3 | 171.9 | 30.1 | 169.9 | 30.9 | 168.0 | 31.8 | 166.9 | 32.4 |
| | -13 | -14 | 206.3 | 31.0 | 204.9 | 31.9 | 206.7 | 33.2 | 194.4 | 31.8 | 182.1 | 30.5 | 174.2 | 29.6 |
| | -8 | -9 | 221.2 | 32.4 | 218.2 | 32.6 | 206.7 | 31.2 | 194.4 | 29.8 | 182.1 | 28.4 | 174.2 | 27.5 |
| | -3 | -4 | 230.5 | 32.5 | 218.2 | 31.0 | 206.7 | 29.6 | 194.4 | 28.1 | 182.1 | 26.6 | 174.2 | 25.8 |
| | 2 | 1 | 230.5 | 31.3 | 218.2 | 29.8 | 206.7 | 28.3 | 194.4 | 26.7 | 182.1 | 25.4 | 174.2 | 24.5 |
| | 7 | 6 | 230.5 | 29.2 | 218.2 | 27.6 | 206.7 | 26.1 | 194.4 | 24.7 | 182.1 | 23.3 | 174.2 | 22.4 |
| | 12 | 10 | 230.5 | 27.3 | 218.2 | 25.7 | 206.7 | 24.4 | 194.4 | 23.0 | 182.1 | 21.7 | 174.2 | 20.8 |
| | 17 | 15 | 230.5 | 24.8 | 218.2 | 23.5 | 206.7 | 22.2 | 194.4 | 20.9 | 182.1 | 19.7 | 174.2 | 18.9 |
| | 22 | 20 | 230.5 | 22.7 | 218.2 | 21.4 | 206.7 | 20.3 | 194.4 | 19.1 | 182.1 | 18.0 | 174.2 | 17.2 |
| | 27 | 24 | 230.5 | 20.9 | 218.2 | 19.8 | 206.7 | 18.8 | 194.4 | 17.7 | 182.1 | 16.7 | 174.2 | 16.1 |
| | 32 | 29 | 230.5 | 19.1 | 218.2 | 18.1 | 206.7 | 17.2 | 194.4 | 16.2 | 182.1 | 15.4 | 174.2 | 14.8 |
| | 37 | 34 | 230.5 | 17.4 | 218.2 | 16.5 | 206.7 | 15.7 | 194.4 | 14.9 | 182.1 | 14.1 | 174.2 | 13.6 |
| | 42 | 38 | 230.5 | 16.2 | 218.2 | 15.4 | 206.7 | 14.7 | 194.4 | 13.9 | 182.1 | 13.2 | 174.2 | 12.7 |
| | 47 | 43 | 230.5 | 14.8 | 218.2 | 14.1 | 206.7 | 13.4 | 194.4 | 12.7 | 182.1 | 12.0 | 174.2 | 11.5 |
| | 52 | 47 | 230.5 | 13.7 | 218.2 | 13.1 | 206.7 | 12.4 | 194.4 | 11.8 | 182.1 | 11.1 | 174.2 | 10.7 |
| | 57 | 52 | 230.5 | 12.5 | 218.2 | 11.9 | 206.7 | 11.3 | 194.4 | 10.7 | 182.1 | 10.1 | 174.2 | 9.8 |
| | 62 | 56 | 230.5 | 11.6 | 218.2 | 11.0 | 206.7 | 10.4 | 194.4 | 9.9 | 182.1 | 9.4 | 174.2 | 9.1 |
| | 67 | 61 | 230.5 | 10.5 | 218.2 | 10.0 | 206.7 | 9.5 | 194.4 | 9.1 | 182.1 | 8.6 | 174.2 | 8.3 |
| | 72 | 66 | 230.5 | 9.5 | 218.2 | 9.2 | 206.7 | 8.8 | 194.4 | 8.3 | 182.1 | 7.9 | 174.2 | 7.7 |
| 75 | 69 | 230.5 | 9.1 | 218.2 | 8.7 | 206.7 | 8.3 | 194.4 | 7.9 | 182.1 | 7.6 | 174.2 | 7.4 | |
| 80 | 74 | 230.5 | 8.4 | 218.2 | 8.0 | 206.7 | 7.7 | 194.4 | 7.4 | 182.1 | 7.0 | 174.2 | 6.8 | |

NOTE - Power Input = Compressor + Outdoor Fan Motor.
 MBH = 1000 BTUs per hour.

HEATING CAPACITY - TWO MODULE | VRB216L4

| Combination (%) | Outdoor Temperature (°F) | | Indoor Temperature - °F Dry Bulb | | | | | | | | | | | |
|-----------------|--------------------------|----------|----------------------------------|----------------|----------------|----------------|----------------|----------------|----------------|----------------|----------------|----------------|----------------|----------------|
| | | | 61 | | 64 | | 67 | | 70 | | 73 | | 75 | |
| | Dry Bulb | Wet Bulb | Total Cap. MBH | Power Input kW | Total Cap. MBH | Power Input kW | Total Cap. MBH | Power Input kW | Total Cap. MBH | Power Input kW | Total Cap. MBH | Power Input kW | Total Cap. MBH | Power Input kW |
| 70% | -22 | -23 | 143.4 | 27.1 | 141.3 | 27.9 | 139.4 | 28.7 | 137.6 | 29.5 | 136.0 | 30.4 | 135.0 | 31.0 |
| | -17 | -18 | 172.5 | 29.6 | 170.4 | 30.4 | 168.6 | 31.2 | 167.3 | 32.2 | 159.4 | 31.9 | 152.4 | 31.3 |
| | -13 | -14 | 201.7 | 31.9 | 191.0 | 30.7 | 180.8 | 29.7 | 170.1 | 28.6 | 159.4 | 27.7 | 152.4 | 27.1 |
| | -8 | -9 | 201.7 | 29.9 | 191.0 | 28.7 | 180.8 | 27.6 | 170.1 | 26.6 | 159.4 | 25.6 | 152.4 | 24.9 |
| | -3 | -4 | 201.7 | 28.2 | 191.0 | 27.0 | 180.8 | 25.9 | 170.1 | 24.9 | 159.4 | 23.8 | 152.4 | 23.1 |
| | 2 | 1 | 201.7 | 26.9 | 191.0 | 25.7 | 180.8 | 24.6 | 170.1 | 23.5 | 159.4 | 22.3 | 152.4 | 21.6 |
| | 7 | 6 | 201.7 | 24.8 | 191.0 | 23.7 | 180.8 | 22.6 | 170.1 | 21.4 | 159.4 | 20.3 | 152.4 | 19.5 |
| | 12 | 10 | 201.7 | 23.2 | 191.0 | 22.1 | 180.8 | 21.0 | 170.1 | 19.9 | 159.4 | 18.8 | 152.4 | 18.0 |
| | 17 | 15 | 201.7 | 21.1 | 191.0 | 20.0 | 180.8 | 19.1 | 170.1 | 18.0 | 159.4 | 17.0 | 152.4 | 16.4 |
| | 22 | 20 | 201.7 | 19.2 | 191.0 | 18.3 | 180.8 | 17.4 | 170.1 | 16.5 | 159.4 | 15.7 | 152.4 | 15.2 |
| | 27 | 24 | 201.7 | 17.8 | 191.0 | 16.9 | 180.8 | 16.1 | 170.1 | 15.4 | 159.4 | 14.6 | 152.4 | 14.1 |
| | 32 | 29 | 201.7 | 16.2 | 191.0 | 15.5 | 180.8 | 14.9 | 170.1 | 14.2 | 159.4 | 13.5 | 152.4 | 13.0 |
| | 37 | 34 | 201.7 | 14.9 | 191.0 | 14.2 | 180.8 | 13.6 | 170.1 | 13.0 | 159.4 | 12.3 | 152.4 | 11.9 |
| | 42 | 38 | 201.7 | 13.9 | 191.0 | 13.3 | 180.8 | 12.7 | 170.1 | 12.1 | 159.4 | 11.5 | 152.4 | 11.1 |
| | 47 | 43 | 201.7 | 12.7 | 191.0 | 12.1 | 180.8 | 11.6 | 170.1 | 11.0 | 159.4 | 10.4 | 152.4 | 10.1 |
| | 52 | 47 | 201.7 | 11.7 | 191.0 | 11.2 | 180.8 | 10.7 | 170.1 | 10.2 | 159.4 | 9.7 | 152.4 | 9.4 |
| | 57 | 52 | 201.7 | 10.6 | 191.0 | 10.1 | 180.8 | 9.7 | 170.1 | 9.3 | 159.4 | 8.8 | 152.4 | 8.5 |
| | 62 | 56 | 201.7 | 9.8 | 191.0 | 9.5 | 180.8 | 9.1 | 170.1 | 8.6 | 159.4 | 8.2 | 152.4 | 7.9 |
| | 67 | 61 | 201.7 | 9.0 | 191.0 | 8.6 | 180.8 | 8.2 | 170.1 | 7.8 | 159.4 | 7.6 | 152.4 | 7.3 |
| | 72 | 66 | 201.7 | 8.2 | 191.0 | 7.9 | 180.8 | 7.6 | 170.1 | 7.3 | 159.4 | 7.0 | 152.4 | 6.7 |
| 75 | 69 | 201.7 | 7.8 | 191.0 | 7.5 | 180.8 | 7.3 | 170.1 | 7.0 | 159.4 | 6.7 | 152.4 | 6.5 | |
| 80 | 74 | 201.7 | 7.3 | 191.0 | 7.2 | 180.8 | 6.8 | 170.1 | 6.5 | 159.4 | 6.2 | 152.4 | 5.9 | |
| 60% | -22 | -23 | 139.8 | 28.3 | 137.9 | 29.1 | 136.4 | 29.9 | 134.8 | 30.8 | 133.5 | 31.8 | 130.6 | 32.0 |
| | -17 | -18 | 169.3 | 31.3 | 163.7 | 31.3 | 155.0 | 30.7 | 145.8 | 29.9 | 136.6 | 29.2 | 130.6 | 28.6 |
| | -13 | -14 | 172.9 | 28.0 | 163.7 | 27.3 | 155.0 | 26.6 | 145.8 | 25.9 | 136.6 | 25.1 | 130.6 | 24.6 |
| | -8 | -9 | 172.9 | 26.0 | 163.7 | 25.3 | 155.0 | 24.5 | 145.8 | 23.7 | 136.6 | 22.9 | 130.6 | 22.3 |
| | -3 | -4 | 172.9 | 24.4 | 163.7 | 23.5 | 155.0 | 22.7 | 145.8 | 21.8 | 136.6 | 20.9 | 130.6 | 20.3 |
| | 2 | 1 | 172.9 | 23.0 | 163.7 | 22.1 | 155.0 | 21.3 | 145.8 | 20.3 | 136.6 | 19.2 | 130.6 | 18.5 |
| | 7 | 6 | 172.9 | 21.0 | 163.7 | 20.1 | 155.0 | 19.2 | 145.8 | 18.3 | 136.6 | 17.3 | 130.6 | 16.7 |
| | 12 | 10 | 172.9 | 19.5 | 163.7 | 18.6 | 155.0 | 17.8 | 145.8 | 16.9 | 136.6 | 16.0 | 130.6 | 15.5 |
| | 17 | 15 | 172.9 | 17.7 | 163.7 | 16.9 | 155.0 | 16.2 | 145.8 | 15.4 | 136.6 | 14.7 | 130.6 | 14.3 |
| | 22 | 20 | 172.9 | 16.1 | 163.7 | 15.5 | 155.0 | 14.9 | 145.8 | 14.2 | 136.6 | 13.6 | 130.6 | 13.2 |
| | 27 | 24 | 172.9 | 15.0 | 163.7 | 14.4 | 155.0 | 13.9 | 145.8 | 13.3 | 136.6 | 12.7 | 130.6 | 12.3 |
| | 32 | 29 | 172.9 | 13.8 | 163.7 | 13.3 | 155.0 | 12.8 | 145.8 | 12.2 | 136.6 | 11.7 | 130.6 | 11.3 |
| | 37 | 34 | 172.9 | 12.7 | 163.7 | 12.1 | 155.0 | 11.7 | 145.8 | 11.1 | 136.6 | 10.6 | 130.6 | 10.3 |
| | 42 | 38 | 172.9 | 11.8 | 163.7 | 11.3 | 155.0 | 10.8 | 145.8 | 10.3 | 136.6 | 9.9 | 130.6 | 9.6 |
| | 47 | 43 | 172.9 | 10.7 | 163.7 | 10.2 | 155.0 | 9.9 | 145.8 | 9.5 | 136.6 | 9.0 | 130.6 | 8.7 |
| | 52 | 47 | 172.9 | 9.9 | 163.7 | 9.6 | 155.0 | 9.2 | 145.8 | 8.7 | 136.6 | 8.3 | 130.6 | 8.1 |
| | 57 | 52 | 172.9 | 9.1 | 163.7 | 8.7 | 155.0 | 8.3 | 145.8 | 7.9 | 136.6 | 7.6 | 130.6 | 7.3 |
| | 62 | 56 | 172.9 | 8.4 | 163.7 | 8.0 | 155.0 | 7.7 | 145.8 | 7.4 | 136.6 | 7.1 | 130.6 | 6.8 |
| | 67 | 61 | 172.9 | 7.6 | 163.7 | 7.4 | 155.0 | 7.1 | 145.8 | 6.8 | 136.6 | 6.5 | 130.6 | 6.3 |
| | 72 | 66 | 172.9 | 7.1 | 163.7 | 6.8 | 155.0 | 6.6 | 145.8 | 6.3 | 136.6 | 6.0 | 130.6 | 5.8 |
| 75 | 69 | 172.9 | 6.8 | 163.7 | 6.5 | 155.0 | 6.3 | 145.8 | 6.1 | 136.6 | 5.8 | 130.6 | 5.7 | |
| 80 | 74 | 172.9 | 6.4 | 163.7 | 6.1 | 155.0 | 5.8 | 145.8 | 5.5 | 136.6 | 5.3 | 130.6 | 5.1 | |

NOTE - Power Input = Compressor + Outdoor Fan Motor.
 MBH = 1000 BTUs per hour.

HEATING CAPACITY - TWO MODULE | VRB216L4

| Combination (%) | Outdoor Temperature (°F) | | Indoor Temperature - °F Dry Bulb | | | | | | | | | | | |
|-----------------|--------------------------|----------|----------------------------------|----------------|----------------|----------------|----------------|----------------|----------------|----------------|----------------|----------------|----------------|----------------|
| | | | 61 | | 64 | | 67 | | 70 | | 73 | | 75 | |
| | Dry Bulb | Wet Bulb | Total Cap. MBH | Power Input kW | Total Cap. MBH | Power Input kW | Total Cap. MBH | Power Input kW | Total Cap. MBH | Power Input kW | Total Cap. MBH | Power Input kW | Total Cap. MBH | Power Input kW |
| 50% | -22 | -23 | 135.8 | 30.0 | 136.4 | 31.4 | 129.2 | 30.9 | 121.5 | 30.4 | 113.8 | 29.8 | 108.9 | 29.4 |
| | -17 | -18 | 144.1 | 28.7 | 136.4 | 28.2 | 129.2 | 27.6 | 121.5 | 27.0 | 113.8 | 26.4 | 108.9 | 26.0 |
| | -13 | -14 | 144.1 | 24.8 | 136.4 | 24.2 | 129.2 | 23.7 | 121.5 | 23.1 | 113.8 | 22.5 | 108.9 | 22.0 |
| | -8 | -9 | 144.1 | 22.7 | 136.4 | 22.0 | 129.2 | 21.4 | 121.5 | 20.8 | 113.8 | 20.1 | 108.9 | 19.3 |
| | -3 | -4 | 144.1 | 20.8 | 136.4 | 20.1 | 129.2 | 19.4 | 121.5 | 18.5 | 113.8 | 17.6 | 108.9 | 16.9 |
| | 2 | 1 | 144.1 | 19.3 | 136.4 | 18.5 | 129.2 | 17.7 | 121.5 | 16.9 | 113.8 | 15.9 | 108.9 | 15.4 |
| | 7 | 6 | 144.1 | 17.3 | 136.4 | 16.6 | 129.2 | 15.9 | 121.5 | 15.2 | 113.8 | 14.5 | 108.9 | 14.0 |
| | 12 | 10 | 144.1 | 16.0 | 136.4 | 15.4 | 129.2 | 14.8 | 121.5 | 14.2 | 113.8 | 13.6 | 108.9 | 13.2 |
| | 17 | 15 | 144.1 | 14.7 | 136.4 | 14.1 | 129.2 | 13.6 | 121.5 | 13.1 | 113.8 | 12.5 | 108.9 | 12.2 |
| | 22 | 20 | 144.1 | 13.5 | 136.4 | 13.0 | 129.2 | 12.6 | 121.5 | 12.1 | 113.8 | 11.6 | 108.9 | 11.3 |
| | 27 | 24 | 144.1 | 12.6 | 136.4 | 12.1 | 129.2 | 11.7 | 121.5 | 11.3 | 113.8 | 10.8 | 108.9 | 10.5 |
| | 32 | 29 | 144.1 | 11.6 | 136.4 | 11.2 | 129.2 | 10.8 | 121.5 | 10.3 | 113.8 | 10.0 | 108.9 | 9.7 |
| | 37 | 34 | 144.1 | 10.5 | 136.4 | 10.2 | 129.2 | 9.8 | 121.5 | 9.5 | 113.8 | 9.1 | 108.9 | 8.8 |
| | 42 | 38 | 144.1 | 9.8 | 136.4 | 9.5 | 129.2 | 9.1 | 121.5 | 8.8 | 113.8 | 8.4 | 108.9 | 8.2 |
| | 47 | 43 | 144.1 | 8.9 | 136.4 | 8.6 | 129.2 | 8.3 | 121.5 | 8.0 | 113.8 | 7.6 | 108.9 | 7.4 |
| | 52 | 47 | 144.1 | 8.2 | 136.4 | 7.9 | 129.2 | 7.7 | 121.5 | 7.4 | 113.8 | 7.0 | 108.9 | 6.8 |
| | 57 | 52 | 144.1 | 7.5 | 136.4 | 7.3 | 129.2 | 7.0 | 121.5 | 6.7 | 113.8 | 6.3 | 108.9 | 6.1 |
| 62 | 56 | 144.1 | 7.0 | 136.4 | 6.7 | 129.2 | 6.5 | 121.5 | 6.2 | 113.8 | 5.9 | 108.9 | 5.7 | |
| 67 | 61 | 144.1 | 6.4 | 136.4 | 6.1 | 129.2 | 5.9 | 121.5 | 5.7 | 113.8 | 5.4 | 108.9 | 5.3 | |
| 72 | 66 | 144.1 | 5.9 | 136.4 | 5.7 | 129.2 | 5.5 | 121.5 | 5.3 | 113.8 | 5.1 | 108.9 | 5.0 | |
| 75 | 69 | 144.1 | 5.7 | 136.4 | 5.5 | 129.2 | 5.3 | 121.5 | 5.2 | 113.8 | 5.0 | 108.9 | 4.9 | |
| 80 | 74 | 144.1 | 5.4 | 136.4 | 5.1 | 129.2 | 4.9 | 121.5 | 4.7 | 113.8 | 4.5 | 108.9 | 4.2 | |

NOTE - Power Input = Compressor + Outdoor Fan Motor.
 MBH = 1000 BTUs per hour.

COOLING CAPACITY - TWO MODULE | VRB240L4

| Combination (%) | Outdoor Temperature °F (Dry Bulb) | Indoor Temperature - °F (Dry Bulb / Wet Bulb) | | | | | | | | | | | |
|-----------------|-----------------------------------|---|-------------|------------|-------------|------------|-------------|------------|-------------|------------|-------------|------------|-------------|
| | | 67 / 57 | | 71 / 60 | | 75 / 63 | | 80 / 67 | | 85 / 71 | | 90 / 75 | |
| | | Total Cap. | Power Input | Total Cap. | Power Input | Total Cap. | Power Input | Total Cap. | Power Input | Total Cap. | Power Input | Total Cap. | Power Input |
| | | MBH | KW | MBH | KW | MBH | KW | MBH | KW | MBH | KW | MBH | KW |
| 130% | -10 | 183.9 | 6.6 | 223.5 | 8.1 | 260.8 | 9.6 | 312.0 | 11.7 | 365.6 | 14.0 | 401.8 | 15.7 |
| | -5 | 183.9 | 7.0 | 223.5 | 8.6 | 260.8 | 10.2 | 312.0 | 12.4 | 365.6 | 14.9 | 380.8 | 15.8 |
| | 10 | 183.9 | 7.2 | 223.5 | 8.8 | 260.8 | 10.4 | 312.0 | 12.7 | 365.6 | 15.2 | 373.4 | 15.9 |
| | 15 | 183.9 | 7.3 | 223.5 | 9.0 | 260.8 | 10.6 | 312.0 | 12.9 | 360.4 | 15.3 | 365.2 | 15.9 |
| | 20 | 183.9 | 7.5 | 223.5 | 9.2 | 260.8 | 10.9 | 312.0 | 13.2 | 352.1 | 15.3 | 356.9 | 15.8 |
| | 25 | 183.9 | 7.6 | 223.5 | 9.4 | 260.8 | 11.1 | 312.0 | 13.5 | 343.4 | 15.2 | 348.2 | 15.8 |
| | 30 | 183.9 | 7.8 | 223.5 | 9.6 | 260.8 | 11.4 | 312.0 | 13.8 | 335.1 | 15.2 | 339.9 | 15.8 |
| | 35 | 183.9 | 8.0 | 223.5 | 9.9 | 260.8 | 11.6 | 312.0 | 14.2 | 327.2 | 15.2 | 332.0 | 15.8 |
| | 40 | 183.9 | 8.2 | 223.5 | 10.1 | 260.8 | 11.9 | 312.0 | 14.5 | 322.2 | 15.3 | 327.0 | 15.9 |
| | 45 | 183.9 | 8.4 | 223.5 | 10.3 | 260.8 | 12.2 | 312.0 | 14.9 | 320.2 | 15.6 | 325.0 | 16.2 |
| | 50 | 183.9 | 8.6 | 223.5 | 10.6 | 260.8 | 12.5 | 312.0 | 15.3 | 318.6 | 15.9 | 323.4 | 16.6 |
| | 55 | 183.9 | 8.9 | 223.5 | 10.9 | 260.8 | 12.9 | 312.0 | 15.7 | 317.4 | 16.3 | 322.2 | 17.0 |
| | 60 | 183.9 | 9.1 | 223.5 | 11.2 | 260.8 | 13.2 | 312.0 | 16.1 | 317.8 | 16.8 | 321.2 | 17.4 |
| | 65 | 183.9 | 9.4 | 223.5 | 11.5 | 260.8 | 13.6 | 312.0 | 16.6 | 314.1 | 17.0 | 320.2 | 17.8 |
| | 70 | 183.9 | 10.2 | 223.5 | 12.5 | 260.8 | 14.8 | 312.0 | 18.0 | 312.8 | 18.5 | 318.8 | 19.3 |
| | 75 | 183.9 | 11.2 | 223.5 | 13.7 | 260.8 | 16.2 | 306.1 | 19.4 | 310.9 | 20.1 | 316.8 | 21.0 |
| | 80 | 183.9 | 12.3 | 223.5 | 15.1 | 260.8 | 17.8 | 303.0 | 21.1 | 307.8 | 21.9 | 313.7 | 22.8 |
| | 85 | 183.9 | 13.5 | 223.5 | 16.5 | 260.8 | 19.5 | 298.3 | 22.8 | 303.1 | 23.7 | 308.9 | 24.7 |
| | 90 | 183.9 | 14.7 | 223.5 | 18.1 | 260.8 | 21.4 | 291.4 | 24.4 | 296.2 | 25.3 | 301.9 | 26.4 |
| | 95 | 183.9 | 16.1 | 223.5 | 19.8 | 260.8 | 23.4 | 265.9 | 24.3 | 270.7 | 25.3 | 275.5 | 26.3 |
| 100 | 183.9 | 17.5 | 223.5 | 21.5 | 248.2 | 24.2 | 253.0 | 25.1 | 257.8 | 26.2 | 262.8 | 27.3 | |
| 105 | 183.9 | 18.9 | 223.5 | 23.2 | 229.5 | 24.2 | 234.3 | 25.1 | 241.3 | 26.4 | 245.9 | 27.6 | |
| 110 | 183.9 | 20.2 | 200.8 | 22.3 | 205.6 | 23.2 | 213.5 | 24.5 | 219.9 | 25.8 | 224.1 | 26.9 | |
| 115 | 169.4 | 19.7 | 174.2 | 20.5 | 180.2 | 21.5 | 187.1 | 22.7 | 192.7 | 23.9 | 196.4 | 25.0 | |
| 118 | 149.8 | 17.9 | 156.4 | 18.9 | 161.8 | 19.8 | 168.0 | 21.0 | 173.0 | 22.1 | 176.3 | 23.0 | |
| 125 | 101.6 | 12.7 | 106.1 | 13.4 | 109.8 | 14.0 | 114.0 | 14.8 | 117.4 | 15.6 | 119.7 | 16.3 | |
| 120% | -10 | 169.8 | 6.0 | 206.3 | 7.4 | 240.7 | 8.7 | 288.0 | 10.6 | 337.4 | 12.7 | 384.7 | 14.8 |
| | -5 | 169.8 | 6.4 | 206.3 | 7.8 | 240.7 | 9.2 | 288.0 | 11.3 | 337.4 | 13.5 | 374.4 | 15.3 |
| | 10 | 169.8 | 6.5 | 206.3 | 8.0 | 240.7 | 9.4 | 288.0 | 11.5 | 337.4 | 13.8 | 367.0 | 15.4 |
| | 15 | 169.8 | 6.7 | 206.3 | 8.2 | 240.7 | 9.7 | 288.0 | 11.8 | 337.4 | 14.1 | 358.8 | 15.3 |
| | 20 | 169.8 | 6.8 | 206.3 | 8.4 | 240.7 | 9.9 | 288.0 | 12.0 | 337.4 | 14.4 | 350.6 | 15.3 |
| | 25 | 169.8 | 7.0 | 206.3 | 8.5 | 240.7 | 10.1 | 288.0 | 12.3 | 337.4 | 14.7 | 342.0 | 15.3 |
| | 30 | 169.8 | 7.1 | 206.3 | 8.7 | 240.7 | 10.3 | 288.0 | 12.6 | 329.0 | 14.7 | 333.8 | 15.3 |
| | 35 | 169.8 | 7.3 | 206.3 | 9.0 | 240.7 | 10.6 | 288.0 | 12.9 | 321.2 | 14.7 | 326.0 | 15.3 |
| | 40 | 169.8 | 7.5 | 206.3 | 9.2 | 240.7 | 10.8 | 288.0 | 13.2 | 316.1 | 14.8 | 320.9 | 15.4 |
| | 45 | 169.8 | 7.7 | 206.3 | 9.4 | 240.7 | 11.1 | 288.0 | 13.5 | 314.0 | 15.1 | 318.8 | 15.7 |
| | 50 | 169.8 | 7.8 | 206.3 | 9.6 | 240.7 | 11.4 | 288.0 | 13.9 | 312.5 | 15.4 | 317.3 | 16.0 |
| | 55 | 169.8 | 8.1 | 206.3 | 9.9 | 240.7 | 11.7 | 288.0 | 14.2 | 311.3 | 15.7 | 316.1 | 16.4 |
| | 60 | 169.8 | 8.3 | 206.3 | 10.2 | 240.7 | 12.0 | 288.0 | 14.6 | 311.5 | 16.2 | 315.1 | 16.8 |
| | 65 | 169.8 | 8.5 | 206.3 | 10.5 | 240.7 | 12.3 | 288.0 | 15.0 | 308.2 | 16.5 | 314.1 | 17.2 |
| | 70 | 169.8 | 9.3 | 206.3 | 11.4 | 240.7 | 13.4 | 288.0 | 16.4 | 306.9 | 17.8 | 312.8 | 18.6 |
| | 75 | 169.8 | 10.2 | 206.3 | 12.5 | 240.7 | 14.7 | 288.0 | 18.0 | 305.0 | 19.5 | 310.9 | 20.3 |
| | 80 | 169.8 | 11.1 | 206.3 | 13.7 | 240.7 | 16.2 | 288.0 | 19.7 | 302.0 | 21.1 | 307.8 | 22.1 |
| | 85 | 169.8 | 12.2 | 206.3 | 15.0 | 240.7 | 17.8 | 288.0 | 21.6 | 297.4 | 22.8 | 303.1 | 23.9 |
| | 90 | 169.8 | 13.4 | 206.3 | 16.5 | 240.7 | 19.5 | 288.0 | 23.7 | 290.7 | 24.5 | 296.2 | 25.5 |
| | 95 | 169.8 | 14.6 | 206.3 | 18.0 | 240.7 | 21.2 | 265.9 | 23.9 | 270.7 | 24.9 | 275.5 | 25.9 |
| 100 | 169.8 | 15.9 | 206.3 | 19.6 | 240.7 | 23.1 | 253.0 | 24.7 | 257.8 | 25.8 | 262.8 | 26.9 | |
| 105 | 169.8 | 17.2 | 206.3 | 21.1 | 229.5 | 23.8 | 234.3 | 24.7 | 241.3 | 26.0 | 245.9 | 27.2 | |
| 110 | 169.8 | 18.4 | 200.8 | 22.0 | 205.6 | 22.8 | 213.5 | 24.1 | 219.9 | 25.4 | 224.1 | 26.5 | |
| 115 | 169.8 | 19.5 | 174.2 | 20.2 | 180.2 | 21.1 | 187.1 | 22.4 | 192.7 | 23.5 | 196.4 | 24.6 | |
| 118 | 149.8 | 17.6 | 156.4 | 18.6 | 161.8 | 19.5 | 168.0 | 20.6 | 173.0 | 21.7 | 176.3 | 22.7 | |
| 125 | 101.6 | 12.5 | 106.1 | 13.2 | 109.8 | 13.8 | 114.0 | 14.6 | 117.4 | 15.4 | 119.7 | 16.1 | |

NOTE - Power Input = Compressor + Outdoor Fan Motor.
 MBH = 1000 BTUs per hour.

COOLING CAPACITY - TWO MODULE | VRB240L4

| Combination (%) | Outdoor Temperature °F (Dry Bulb) | Indoor Temperature - °F (Dry Bulb / Wet Bulb) | | | | | | | | | | | |
|-----------------|-----------------------------------|---|-------------|------------|-------------|------------|-------------|--------------|-------------|------------|-------------|------------|-------------|
| | | 67 / 57 | | 71 / 60 | | 75 / 63 | | 80 / 67 | | 85 / 71 | | 90 / 75 | |
| | | Total Cap. | Power Input | Total Cap. | Power Input | Total Cap. | Power Input | Total Cap. | Power Input | Total Cap. | Power Input | Total Cap. | Power Input |
| | | MBH | kW | MBH | kW | MBH | kW | MBH | kW | MBH | kW | MBH | kW |
| 110% | -10 | 155.6 | 5.4 | 189.1 | 6.7 | 220.7 | 7.9 | 264.0 | 9.6 | 309.3 | 11.5 | 352.7 | 13.4 |
| | -5 | 155.6 | 5.8 | 189.1 | 7.1 | 220.7 | 8.3 | 264.0 | 10.2 | 309.3 | 12.2 | 352.7 | 14.2 |
| | 10 | 155.6 | 5.9 | 189.1 | 7.2 | 220.7 | 8.5 | 264.0 | 10.4 | 309.3 | 12.4 | 352.7 | 14.5 |
| | 15 | 155.6 | 6.0 | 189.1 | 7.4 | 220.7 | 8.7 | 264.0 | 10.6 | 309.3 | 12.7 | 352.5 | 14.8 |
| | 20 | 155.6 | 6.1 | 189.1 | 7.5 | 220.7 | 8.9 | 264.0 | 10.8 | 309.3 | 13.0 | 344.3 | 14.8 |
| | 25 | 155.6 | 6.3 | 189.1 | 7.7 | 220.7 | 9.1 | 264.0 | 11.1 | 309.3 | 13.3 | 335.8 | 14.8 |
| | 30 | 155.6 | 6.4 | 189.1 | 7.9 | 220.7 | 9.3 | 264.0 | 11.4 | 309.3 | 13.6 | 327.6 | 14.8 |
| | 35 | 155.6 | 6.6 | 189.1 | 8.1 | 220.7 | 9.5 | 264.0 | 11.6 | 309.3 | 13.9 | 319.9 | 14.8 |
| | 40 | 155.6 | 6.7 | 189.1 | 8.3 | 220.7 | 9.8 | 264.0 | 11.9 | 309.3 | 14.3 | 314.7 | 14.9 |
| | 45 | 155.6 | 6.9 | 189.1 | 8.5 | 220.7 | 10.0 | 264.0 | 12.2 | 309.3 | 14.6 | 312.7 | 15.2 |
| | 50 | 155.6 | 7.1 | 189.1 | 8.7 | 220.7 | 10.3 | 264.0 | 12.5 | 309.3 | 15.0 | 311.2 | 15.5 |
| | 55 | 155.6 | 7.3 | 189.1 | 8.9 | 220.7 | 10.6 | 264.0 | 12.9 | 309.3 | 15.4 | 310.0 | 15.8 |
| | 60 | 155.6 | 7.5 | 189.1 | 9.2 | 220.7 | 10.8 | 264.0 | 13.2 | 305.1 | 15.6 | 309.0 | 16.2 |
| | 65 | 155.6 | 7.7 | 189.1 | 9.4 | 220.7 | 11.1 | 264.0 | 13.6 | 302.3 | 15.9 | 308.1 | 16.6 |
| | 70 | 155.6 | 8.4 | 189.1 | 10.3 | 220.7 | 12.1 | 264.0 | 14.8 | 301.0 | 17.2 | 306.8 | 18.0 |
| | 75 | 155.6 | 9.2 | 189.1 | 11.3 | 220.7 | 13.3 | 264.0 | 16.2 | 299.1 | 18.8 | 304.9 | 19.6 |
| | 80 | 155.6 | 10.1 | 189.1 | 12.4 | 220.7 | 14.6 | 264.0 | 17.8 | 296.2 | 20.4 | 301.9 | 21.3 |
| | 85 | 155.6 | 11.0 | 189.1 | 13.6 | 220.7 | 16.0 | 264.0 | 19.5 | 291.7 | 22.1 | 297.3 | 23.0 |
| | 90 | 155.6 | 12.1 | 189.1 | 14.9 | 220.7 | 17.6 | 264.0 | 21.4 | 285.1 | 23.6 | 290.5 | 24.7 |
| | 95 | 155.6 | 13.2 | 189.1 | 16.2 | 220.7 | 19.2 | 264.0 | 23.4 | 270.7 | 24.5 | 275.5 | 25.5 |
| 100 | 155.6 | 14.4 | 189.1 | 17.7 | 220.7 | 20.8 | 257.0 | 24.7 | 257.8 | 25.4 | 262.8 | 26.5 | |
| 105 | 155.6 | 15.5 | 189.1 | 19.1 | 220.7 | 22.5 | 234.3 | 24.4 | 241.3 | 25.6 | 245.9 | 26.8 | |
| 110 | 155.6 | 16.6 | 189.1 | 20.4 | 205.6 | 22.4 | 213.5 | 23.7 | 219.9 | 25.0 | 224.1 | 26.1 | |
| 115 | 155.6 | 17.6 | 174.2 | 19.9 | 180.2 | 20.8 | 187.1 | 22.0 | 192.7 | 23.2 | 196.4 | 24.2 | |
| 118 | 149.8 | 17.4 | 156.4 | 18.3 | 161.8 | 19.2 | 168.0 | 20.3 | 173.0 | 21.4 | 176.3 | 22.3 | |
| 125 | 101.6 | 12.3 | 106.1 | 13.0 | 109.8 | 13.6 | 114.0 | 14.4 | 117.4 | 15.2 | 119.7 | 15.8 | |
| 100% | -10 | 141.5 | 4.8 | 171.9 | 6.0 | 200.6 | 7.0 | 240.0 | 8.6 | 281.2 | 10.3 | 320.6 | 12.0 |
| | -5 | 141.5 | 5.1 | 171.9 | 6.3 | 200.6 | 7.5 | 240.0 | 9.1 | 281.2 | 10.9 | 320.6 | 12.7 |
| | 10 | 141.5 | 5.3 | 171.9 | 6.5 | 200.6 | 7.6 | 240.0 | 9.3 | 281.2 | 11.1 | 320.6 | 13.0 |
| | 15 | 141.5 | 5.4 | 171.9 | 6.6 | 200.6 | 7.8 | 240.0 | 9.5 | 281.2 | 11.4 | 320.6 | 13.3 |
| | 20 | 141.5 | 5.5 | 171.9 | 6.8 | 200.6 | 8.0 | 240.0 | 9.7 | 281.2 | 11.6 | 320.3 | 13.6 |
| | 25 | 141.5 | 5.6 | 171.9 | 6.9 | 200.6 | 8.2 | 240.0 | 9.9 | 281.2 | 11.9 | 317.0 | 13.7 |
| | 30 | 141.5 | 5.8 | 171.9 | 7.1 | 200.6 | 8.3 | 240.0 | 10.2 | 281.2 | 12.2 | 313.8 | 13.9 |
| | 35 | 141.5 | 5.9 | 171.9 | 7.2 | 200.6 | 8.5 | 240.0 | 10.4 | 281.2 | 12.5 | 310.9 | 14.1 |
| | 40 | 141.5 | 6.0 | 171.9 | 7.4 | 200.6 | 8.8 | 240.0 | 10.7 | 281.2 | 12.8 | 308.5 | 14.4 |
| | 45 | 141.5 | 6.2 | 171.9 | 7.6 | 200.6 | 9.0 | 240.0 | 10.9 | 281.2 | 13.1 | 306.6 | 14.6 |
| | 50 | 141.5 | 6.3 | 171.9 | 7.8 | 200.6 | 9.2 | 240.0 | 11.2 | 281.2 | 13.4 | 305.1 | 14.9 |
| | 55 | 141.5 | 6.5 | 171.9 | 8.0 | 200.6 | 9.4 | 240.0 | 11.5 | 281.2 | 13.8 | 303.9 | 15.3 |
| | 60 | 141.5 | 6.7 | 171.9 | 8.2 | 200.6 | 9.7 | 240.0 | 11.8 | 281.2 | 14.2 | 303.0 | 15.6 |
| | 65 | 141.5 | 6.9 | 171.9 | 8.5 | 200.6 | 10.0 | 240.0 | 12.2 | 281.2 | 14.6 | 302.0 | 16.0 |
| | 70 | 141.5 | 7.5 | 171.9 | 9.2 | 200.6 | 10.9 | 240.0 | 13.2 | 281.2 | 15.8 | 300.8 | 17.4 |
| | 75 | 141.5 | 8.2 | 171.9 | 10.1 | 200.6 | 11.9 | 240.0 | 14.5 | 281.2 | 17.4 | 298.9 | 18.9 |
| | 80 | 141.5 | 9.0 | 171.9 | 11.1 | 200.6 | 13.1 | 240.0 | 15.9 | 281.2 | 19.1 | 296.0 | 20.6 |
| | 85 | 141.5 | 9.9 | 171.9 | 12.2 | 200.6 | 14.4 | 240.0 | 17.5 | 281.2 | 21.0 | 291.4 | 22.2 |
| | 90 | 141.5 | 10.8 | 171.9 | 13.3 | 200.6 | 15.7 | 240.0 | 19.2 | 279.5 | 22.8 | 284.8 | 23.8 |
| | 95 | 141.5 | 11.8 | 171.9 | 14.5 | 200.6 | 17.2 | 240.0 | 20.9 | 270.3 | 24.1 | 275.5 | 25.2 |
| 100 | 141.5 | 12.9 | 171.9 | 15.8 | 200.6 | 18.7 | 240.0 | 22.8 | 257.8 | 25.0 | 262.8 | 26.1 | |
| 105 | 141.5 | 13.9 | 171.9 | 17.1 | 200.6 | 20.2 | 234.3 | 24.0 | 241.3 | 25.3 | 245.9 | 26.4 | |
| 110 | 141.5 | 14.9 | 171.9 | 18.3 | 200.6 | 21.6 | 213.5 | 23.4 | 219.9 | 24.6 | 224.1 | 25.7 | |
| 115 | 141.5 | 15.7 | 171.9 | 19.3 | 180.2 | 20.5 | 187.1 | 21.7 | 192.7 | 22.8 | 196.4 | 23.8 | |
| 118 | 141.5 | 16.2 | 156.4 | 18.1 | 161.8 | 18.9 | 168.0 | 20.0 | 173.0 | 21.1 | 176.3 | 22.0 | |
| 125 | 101.6 | 12.1 | 106.1 | 12.8 | 109.8 | 13.4 | 114.0 | 14.2 | 117.4 | 14.9 | 119.7 | 15.6 | |

NOTE - Power Input = Compressor + Outdoor Fan Motor.
 MBH = 1000 BTUs per hour.

COOLING CAPACITY - TWO MODULE | VRB240L4

| Combination (%) | Outdoor Temperature °F (Dry Bulb) | Indoor Temperature - °F (Dry Bulb / Wet Bulb) | | | | | | | | | | | |
|-----------------|-----------------------------------|---|-------------|------------|-------------|------------|-------------|------------|-------------|------------|-------------|------------|-------------|
| | | 67 / 57 | | 71 / 60 | | 75 / 63 | | 80 / 67 | | 85 / 71 | | 90 / 75 | |
| | | Total Cap. | Power Input | Total Cap. | Power Input | Total Cap. | Power Input | Total Cap. | Power Input | Total Cap. | Power Input | Total Cap. | Power Input |
| | | MBH | KW | MBH | KW | MBH | KW | MBH | KW | MBH | KW | MBH | KW |
| 90% | -10 | 127.3 | 4.3 | 154.7 | 5.3 | 180.5 | 6.2 | 216.0 | 7.6 | 253.1 | 9.1 | 288.5 | 10.6 |
| | -5 | 127.3 | 4.6 | 154.7 | 5.6 | 180.5 | 6.6 | 216.0 | 8.1 | 253.1 | 9.7 | 288.5 | 11.3 |
| | 10 | 127.3 | 4.7 | 154.7 | 5.7 | 180.5 | 6.8 | 216.0 | 8.3 | 253.1 | 9.9 | 288.5 | 11.5 |
| | 15 | 127.3 | 4.8 | 154.7 | 5.9 | 180.5 | 6.9 | 216.0 | 8.4 | 253.1 | 10.1 | 288.5 | 11.8 |
| | 20 | 127.3 | 4.9 | 154.7 | 6.0 | 180.5 | 7.1 | 216.0 | 8.6 | 253.1 | 10.3 | 288.5 | 12.0 |
| | 25 | 127.3 | 5.0 | 154.7 | 6.1 | 180.5 | 7.2 | 216.0 | 8.8 | 253.1 | 10.6 | 288.5 | 12.3 |
| | 30 | 127.3 | 5.1 | 154.7 | 6.3 | 180.5 | 7.4 | 216.0 | 9.0 | 253.1 | 10.8 | 288.5 | 12.6 |
| | 35 | 127.3 | 5.2 | 154.7 | 6.4 | 180.5 | 7.6 | 216.0 | 9.2 | 253.1 | 11.1 | 288.5 | 12.9 |
| | 40 | 127.3 | 5.3 | 154.7 | 6.6 | 180.5 | 7.8 | 216.0 | 9.5 | 253.1 | 11.3 | 288.5 | 13.2 |
| | 45 | 127.3 | 5.5 | 154.7 | 6.7 | 180.5 | 8.0 | 216.0 | 9.7 | 253.1 | 11.6 | 288.5 | 13.6 |
| | 50 | 127.3 | 5.6 | 154.7 | 6.9 | 180.5 | 8.2 | 216.0 | 9.9 | 253.1 | 11.9 | 288.5 | 13.9 |
| | 55 | 127.3 | 5.8 | 154.7 | 7.1 | 180.5 | 8.4 | 216.0 | 10.2 | 253.1 | 12.2 | 288.5 | 14.3 |
| | 60 | 127.3 | 5.9 | 154.7 | 7.3 | 180.5 | 8.6 | 216.0 | 10.5 | 253.1 | 12.6 | 288.5 | 14.7 |
| | 65 | 127.3 | 6.1 | 154.7 | 7.5 | 180.5 | 8.8 | 216.0 | 10.8 | 253.1 | 12.9 | 288.5 | 15.1 |
| | 70 | 127.3 | 6.6 | 154.7 | 8.2 | 180.5 | 9.6 | 216.0 | 11.7 | 253.1 | 14.1 | 288.5 | 16.4 |
| | 75 | 127.3 | 7.3 | 154.7 | 8.9 | 180.5 | 10.6 | 216.0 | 12.9 | 253.1 | 15.4 | 288.5 | 18.0 |
| | 80 | 127.3 | 8.0 | 154.7 | 9.8 | 180.5 | 11.6 | 216.0 | 14.1 | 253.1 | 16.9 | 288.5 | 19.8 |
| | 85 | 127.3 | 8.8 | 154.7 | 10.8 | 180.5 | 12.7 | 216.0 | 15.5 | 253.1 | 18.6 | 285.6 | 21.5 |
| | 90 | 127.3 | 9.6 | 154.7 | 11.8 | 180.5 | 13.9 | 216.0 | 17.0 | 253.1 | 20.4 | 279.1 | 23.0 |
| | 95 | 127.3 | 10.5 | 154.7 | 12.9 | 180.5 | 15.2 | 216.0 | 18.6 | 253.1 | 22.2 | 275.5 | 24.8 |
| 100 | 127.3 | 11.4 | 154.7 | 14.0 | 180.5 | 16.6 | 216.0 | 20.2 | 252.7 | 24.1 | 262.8 | 25.7 | |
| 105 | 127.3 | 12.3 | 154.7 | 15.1 | 180.5 | 17.9 | 216.0 | 21.8 | 241.3 | 24.9 | 245.9 | 26.0 | |
| 110 | 127.3 | 13.2 | 154.7 | 16.2 | 180.5 | 19.1 | 213.5 | 23.0 | 219.9 | 24.3 | 224.1 | 25.3 | |
| 115 | 127.3 | 13.9 | 154.7 | 17.1 | 180.2 | 20.2 | 187.1 | 21.4 | 192.7 | 22.5 | 196.4 | 23.5 | |
| 118 | 127.3 | 14.3 | 154.7 | 17.6 | 161.8 | 18.6 | 168.0 | 19.7 | 173.0 | 20.8 | 176.3 | 21.7 | |
| 125 | 101.6 | 11.9 | 106.1 | 12.6 | 109.8 | 13.2 | 114.0 | 14.0 | 117.4 | 14.7 | 119.7 | 15.3 | |
| 80% | -10 | 113.2 | 3.8 | 137.6 | 4.6 | 160.5 | 5.5 | 192.0 | 6.7 | 225.0 | 8.0 | 256.5 | 9.3 |
| | -5 | 113.2 | 4.0 | 137.6 | 4.9 | 160.5 | 5.8 | 192.0 | 7.1 | 225.0 | 8.5 | 256.5 | 9.9 |
| | 10 | 113.2 | 4.1 | 137.6 | 5.0 | 160.5 | 5.9 | 192.0 | 7.2 | 225.0 | 8.7 | 256.5 | 10.1 |
| | 15 | 113.2 | 4.2 | 137.6 | 5.1 | 160.5 | 6.1 | 192.0 | 7.4 | 225.0 | 8.8 | 256.5 | 10.3 |
| | 20 | 113.2 | 4.3 | 137.6 | 5.2 | 160.5 | 6.2 | 192.0 | 7.5 | 225.0 | 9.0 | 256.5 | 10.6 |
| | 25 | 113.2 | 4.4 | 137.6 | 5.4 | 160.5 | 6.3 | 192.0 | 7.7 | 225.0 | 9.2 | 256.5 | 10.8 |
| | 30 | 113.2 | 4.5 | 137.6 | 5.5 | 160.5 | 6.5 | 192.0 | 7.9 | 225.0 | 9.5 | 256.5 | 11.1 |
| | 35 | 113.2 | 4.6 | 137.6 | 5.6 | 160.5 | 6.6 | 192.0 | 8.1 | 225.0 | 9.7 | 256.5 | 11.3 |
| | 40 | 113.2 | 4.7 | 137.6 | 5.8 | 160.5 | 6.8 | 192.0 | 8.3 | 225.0 | 9.9 | 256.5 | 11.6 |
| | 45 | 113.2 | 4.8 | 137.6 | 5.9 | 160.5 | 7.0 | 192.0 | 8.5 | 225.0 | 10.2 | 256.5 | 11.9 |
| | 50 | 113.2 | 4.9 | 137.6 | 6.1 | 160.5 | 7.2 | 192.0 | 8.7 | 225.0 | 10.4 | 256.5 | 12.2 |
| | 55 | 113.2 | 5.1 | 137.6 | 6.2 | 160.5 | 7.3 | 192.0 | 8.9 | 225.0 | 10.7 | 256.5 | 12.5 |
| | 60 | 113.2 | 5.2 | 137.6 | 6.4 | 160.5 | 7.5 | 192.0 | 9.2 | 225.0 | 11.0 | 256.5 | 12.9 |
| | 65 | 113.2 | 5.3 | 137.6 | 6.6 | 160.5 | 7.7 | 192.0 | 9.4 | 225.0 | 11.3 | 256.5 | 13.2 |
| | 70 | 113.2 | 5.8 | 137.6 | 7.1 | 160.5 | 8.4 | 192.0 | 10.3 | 225.0 | 12.3 | 256.5 | 14.4 |
| | 75 | 113.2 | 6.4 | 137.6 | 7.8 | 160.5 | 9.3 | 192.0 | 11.3 | 225.0 | 13.5 | 256.5 | 15.8 |
| | 80 | 113.2 | 7.0 | 137.6 | 8.6 | 160.5 | 10.2 | 192.0 | 12.4 | 225.0 | 14.8 | 256.5 | 17.3 |
| | 85 | 113.2 | 7.7 | 137.6 | 9.4 | 160.5 | 11.1 | 192.0 | 13.6 | 225.0 | 16.3 | 256.5 | 19.0 |
| | 90 | 113.2 | 8.4 | 137.6 | 10.3 | 160.5 | 12.2 | 192.0 | 14.9 | 225.0 | 17.8 | 256.5 | 20.8 |
| | 95 | 113.2 | 9.2 | 137.6 | 11.3 | 160.5 | 13.3 | 192.0 | 16.3 | 225.0 | 19.5 | 256.5 | 22.7 |
| 100 | 113.2 | 10.0 | 137.6 | 12.3 | 160.5 | 14.5 | 192.0 | 17.7 | 225.0 | 21.2 | 256.5 | 24.7 | |
| 105 | 113.2 | 10.8 | 137.6 | 13.3 | 160.5 | 15.7 | 192.0 | 19.1 | 225.0 | 22.9 | 245.9 | 25.6 | |
| 110 | 113.2 | 11.5 | 137.6 | 14.2 | 160.5 | 16.8 | 192.0 | 20.4 | 219.9 | 23.9 | 224.1 | 25.0 | |
| 115 | 113.2 | 12.2 | 137.6 | 15.0 | 160.5 | 17.7 | 187.1 | 21.1 | 192.7 | 22.2 | 196.4 | 23.1 | |
| 118 | 113.2 | 12.6 | 137.6 | 15.4 | 160.5 | 18.2 | 168.0 | 19.4 | 173.0 | 20.5 | 176.3 | 21.4 | |
| 125 | 101.6 | 11.8 | 106.1 | 12.4 | 109.8 | 13.0 | 114.0 | 13.8 | 117.4 | 14.5 | 119.7 | 15.1 | |

NOTE - Power Input = Compressor + Outdoor Fan Motor.
 MBH = 1000 BTUs per hour.

COOLING CAPACITY - TWO MODULE | VRB240L4

| Combination (%) | Outdoor Temperature °F (Dry Bulb) | Indoor Temperature - °F (Dry Bulb / Wet Bulb) | | | | | | | | | | | |
|-----------------|-----------------------------------|---|-------------|------------|-------------|------------|-------------|------------|-------------|------------|-------------|------------|-------------|
| | | 67 / 57 | | 71 / 60 | | 75 / 63 | | 80 / 67 | | 85 / 71 | | 90 / 75 | |
| | | Total Cap. | Power Input | Total Cap. | Power Input | Total Cap. | Power Input | Total Cap. | Power Input | Total Cap. | Power Input | Total Cap. | Power Input |
| | | MBH | kW | MBH | kW | MBH | kW | MBH | kW | MBH | kW | MBH | kW |
| 70% | -10 | 99.0 | 3.2 | 120.4 | 4.0 | 140.4 | 4.7 | 168.0 | 5.7 | 196.8 | 6.9 | 224.4 | 8.0 |
| | -5 | 99.0 | 3.4 | 120.4 | 4.2 | 140.4 | 5.0 | 168.0 | 6.1 | 196.8 | 7.3 | 224.4 | 8.5 |
| | 10 | 99.0 | 3.5 | 120.4 | 4.3 | 140.4 | 5.1 | 168.0 | 6.2 | 196.8 | 7.5 | 224.4 | 8.7 |
| | 15 | 99.0 | 3.6 | 120.4 | 4.4 | 140.4 | 5.2 | 168.0 | 6.4 | 196.8 | 7.6 | 224.4 | 8.9 |
| | 20 | 99.0 | 3.7 | 120.4 | 4.5 | 140.4 | 5.3 | 168.0 | 6.5 | 196.8 | 7.8 | 224.4 | 9.1 |
| | 25 | 99.0 | 3.8 | 120.4 | 4.6 | 140.4 | 5.5 | 168.0 | 6.7 | 196.8 | 8.0 | 224.4 | 9.3 |
| | 30 | 99.0 | 3.9 | 120.4 | 4.7 | 140.4 | 5.6 | 168.0 | 6.8 | 196.8 | 8.2 | 224.4 | 9.5 |
| | 35 | 99.0 | 3.9 | 120.4 | 4.8 | 140.4 | 5.7 | 168.0 | 7.0 | 196.8 | 8.4 | 224.4 | 9.8 |
| | 40 | 99.0 | 4.0 | 120.4 | 5.0 | 140.4 | 5.9 | 168.0 | 7.1 | 196.8 | 8.6 | 224.4 | 10.0 |
| | 45 | 99.0 | 4.1 | 120.4 | 5.1 | 140.4 | 6.0 | 168.0 | 7.3 | 196.8 | 8.8 | 224.4 | 10.2 |
| | 50 | 99.0 | 4.2 | 120.4 | 5.2 | 140.4 | 6.2 | 168.0 | 7.5 | 196.8 | 9.0 | 224.4 | 10.5 |
| | 55 | 99.0 | 4.4 | 120.4 | 5.4 | 140.4 | 6.3 | 168.0 | 7.7 | 196.8 | 9.2 | 224.4 | 10.8 |
| | 60 | 99.0 | 4.5 | 120.4 | 5.5 | 140.4 | 6.5 | 168.0 | 7.9 | 196.8 | 9.5 | 224.4 | 11.1 |
| | 65 | 99.0 | 4.6 | 120.4 | 5.7 | 140.4 | 6.7 | 168.0 | 8.1 | 196.8 | 9.8 | 224.4 | 11.4 |
| | 70 | 99.0 | 5.0 | 120.4 | 6.2 | 140.4 | 7.3 | 168.0 | 8.9 | 196.8 | 10.6 | 224.4 | 12.4 |
| | 75 | 99.0 | 5.5 | 120.4 | 6.8 | 140.4 | 8.0 | 168.0 | 9.7 | 196.8 | 11.7 | 224.4 | 13.6 |
| | 80 | 99.0 | 6.0 | 120.4 | 7.4 | 140.4 | 8.8 | 168.0 | 10.7 | 196.8 | 12.8 | 224.4 | 14.9 |
| | 85 | 99.0 | 6.6 | 120.4 | 8.1 | 140.4 | 9.6 | 168.0 | 11.7 | 196.8 | 14.0 | 224.4 | 16.4 |
| | 90 | 99.0 | 7.3 | 120.4 | 8.9 | 140.4 | 10.5 | 168.0 | 12.8 | 196.8 | 15.4 | 224.4 | 18.0 |
| | 95 | 99.0 | 7.9 | 120.4 | 9.7 | 140.4 | 11.5 | 168.0 | 14.0 | 196.8 | 16.8 | 224.4 | 19.6 |
| 100 | 99.0 | 8.6 | 120.4 | 10.6 | 140.4 | 12.5 | 168.0 | 15.2 | 196.8 | 18.3 | 224.4 | 21.3 | |
| 105 | 99.0 | 9.3 | 120.4 | 11.4 | 140.4 | 13.5 | 168.0 | 16.5 | 196.8 | 19.7 | 224.4 | 23.0 | |
| 110 | 99.0 | 10.0 | 120.4 | 12.2 | 140.4 | 14.4 | 168.0 | 17.6 | 196.8 | 21.1 | 224.1 | 24.6 | |
| 115 | 99.0 | 10.5 | 120.4 | 12.9 | 140.4 | 15.3 | 168.0 | 18.6 | 192.7 | 21.9 | 196.4 | 22.8 | |
| 118 | 99.0 | 10.8 | 120.4 | 13.3 | 140.4 | 15.7 | 168.0 | 19.2 | 173.0 | 20.2 | 176.3 | 21.1 | |
| 125 | 95.5 | 10.9 | 106.1 | 12.2 | 109.8 | 12.8 | 114.0 | 13.6 | 117.4 | 14.3 | 119.7 | 14.9 | |
| 60% | -10 | 84.9 | 2.7 | 103.2 | 3.4 | 120.4 | 4.0 | 144.0 | 4.9 | 168.7 | 5.8 | 192.4 | 6.8 |
| | -5 | 84.9 | 2.9 | 103.2 | 3.6 | 120.4 | 4.2 | 144.0 | 5.2 | 168.7 | 6.2 | 192.4 | 7.2 |
| | 10 | 84.9 | 3.0 | 103.2 | 3.7 | 120.4 | 4.3 | 144.0 | 5.3 | 168.7 | 6.3 | 192.4 | 7.4 |
| | 15 | 84.9 | 3.0 | 103.2 | 3.7 | 120.4 | 4.4 | 144.0 | 5.4 | 168.7 | 6.4 | 192.4 | 7.5 |
| | 20 | 84.9 | 3.1 | 103.2 | 3.8 | 120.4 | 4.5 | 144.0 | 5.5 | 168.7 | 6.6 | 192.4 | 7.7 |
| | 25 | 84.9 | 3.2 | 103.2 | 3.9 | 120.4 | 4.6 | 144.0 | 5.6 | 168.7 | 6.7 | 192.4 | 7.9 |
| | 30 | 84.9 | 3.3 | 103.2 | 4.0 | 120.4 | 4.7 | 144.0 | 5.8 | 168.7 | 6.9 | 192.4 | 8.1 |
| | 35 | 84.9 | 3.3 | 103.2 | 4.1 | 120.4 | 4.8 | 144.0 | 5.9 | 168.7 | 7.1 | 192.4 | 8.2 |
| | 40 | 84.9 | 3.4 | 103.2 | 4.2 | 120.4 | 5.0 | 144.0 | 6.0 | 168.7 | 7.2 | 192.4 | 8.4 |
| | 45 | 84.9 | 3.5 | 103.2 | 4.3 | 120.4 | 5.1 | 144.0 | 6.2 | 168.7 | 7.4 | 192.4 | 8.7 |
| | 50 | 84.9 | 3.6 | 103.2 | 4.4 | 120.4 | 5.2 | 144.0 | 6.4 | 168.7 | 7.6 | 192.4 | 8.9 |
| | 55 | 84.9 | 3.7 | 103.2 | 4.5 | 120.4 | 5.3 | 144.0 | 6.5 | 168.7 | 7.8 | 192.4 | 9.1 |
| | 60 | 84.9 | 3.8 | 103.2 | 4.7 | 120.4 | 5.5 | 144.0 | 6.7 | 168.7 | 8.0 | 192.4 | 9.4 |
| | 65 | 84.9 | 3.9 | 103.2 | 4.8 | 120.4 | 5.6 | 144.0 | 6.9 | 168.7 | 8.2 | 192.4 | 9.6 |
| | 70 | 84.9 | 4.2 | 103.2 | 5.2 | 120.4 | 6.1 | 144.0 | 7.5 | 168.7 | 9.0 | 192.4 | 10.5 |
| | 75 | 84.9 | 4.6 | 103.2 | 5.7 | 120.4 | 6.7 | 144.0 | 8.2 | 168.7 | 9.8 | 192.4 | 11.5 |
| | 80 | 84.9 | 5.1 | 103.2 | 6.3 | 120.4 | 7.4 | 144.0 | 9.0 | 168.7 | 10.8 | 192.4 | 12.6 |
| | 85 | 84.9 | 5.6 | 103.2 | 6.9 | 120.4 | 8.1 | 144.0 | 9.9 | 168.7 | 11.9 | 192.4 | 13.9 |
| | 90 | 84.9 | 6.1 | 103.2 | 7.5 | 120.4 | 8.9 | 144.0 | 10.8 | 168.7 | 13.0 | 192.4 | 15.2 |
| | 95 | 84.9 | 6.7 | 103.2 | 8.2 | 120.4 | 9.7 | 144.0 | 11.8 | 168.7 | 14.2 | 192.4 | 16.6 |
| 100 | 84.9 | 7.3 | 103.2 | 9.0 | 120.4 | 10.6 | 144.0 | 12.9 | 168.7 | 15.4 | 192.4 | 18.0 | |
| 105 | 84.9 | 7.9 | 103.2 | 9.7 | 120.4 | 11.4 | 144.0 | 13.9 | 168.7 | 16.7 | 192.4 | 19.5 | |
| 110 | 84.9 | 8.4 | 103.2 | 10.3 | 120.4 | 12.2 | 144.0 | 14.9 | 168.7 | 17.8 | 192.4 | 20.8 | |
| 115 | 84.9 | 8.9 | 103.2 | 10.9 | 120.4 | 12.9 | 144.0 | 15.7 | 168.7 | 18.9 | 192.4 | 22.0 | |
| 118 | 84.9 | 9.2 | 103.2 | 11.2 | 120.4 | 13.3 | 144.0 | 16.2 | 168.7 | 19.4 | 176.3 | 20.8 | |
| 125 | 84.9 | 9.5 | 103.2 | 11.7 | 109.8 | 12.6 | 114.0 | 13.4 | 117.4 | 14.1 | 119.7 | 14.7 | |

NOTE - Power Input = Compressor + Outdoor Fan Motor.
 MBH = 1000 BTUs per hour.

COOLING CAPACITY - TWO MODULE | VRB240L4

| Combination (%) | Outdoor Temperature °F (Dry Bulb) | Indoor Temperature - °F (Dry Bulb / Wet Bulb) | | | | | | | | | | | |
|-----------------|-----------------------------------|---|-------------|------------|-------------|------------|-------------|------------|-------------|------------|-------------|------------|-------------|
| | | 67 / 57 | | 71 / 60 | | 75 / 63 | | 80 / 67 | | 85 / 71 | | 90 / 75 | |
| | | Total Cap. | Power Input | Total Cap. | Power Input | Total Cap. | Power Input | Total Cap. | Power Input | Total Cap. | Power Input | Total Cap. | Power Input |
| | | MBH | kW | MBH | kW | MBH | kW | MBH | kW | MBH | kW | MBH | kW |
| 50% | -10 | 65.3 | 2.1 | 86.0 | 2.8 | 100.3 | 3.3 | 120.0 | 4.0 | 140.6 | 4.8 | 160.3 | 5.6 |
| | -5 | 70.7 | 2.4 | 86.0 | 2.9 | 100.3 | 3.5 | 120.0 | 4.2 | 140.6 | 5.1 | 160.3 | 5.9 |
| | 10 | 70.7 | 2.4 | 86.0 | 3.0 | 100.3 | 3.6 | 120.0 | 4.3 | 140.6 | 5.2 | 160.3 | 6.1 |
| | 15 | 70.7 | 2.5 | 86.0 | 3.1 | 100.3 | 3.6 | 120.0 | 4.4 | 140.6 | 5.3 | 160.3 | 6.2 |
| | 20 | 70.7 | 2.6 | 86.0 | 3.1 | 100.3 | 3.7 | 120.0 | 4.5 | 140.6 | 5.4 | 160.3 | 6.3 |
| | 25 | 70.7 | 2.6 | 86.0 | 3.2 | 100.3 | 3.8 | 120.0 | 4.6 | 140.6 | 5.5 | 160.3 | 6.5 |
| | 30 | 70.7 | 2.7 | 86.0 | 3.3 | 100.3 | 3.9 | 120.0 | 4.7 | 140.6 | 5.7 | 160.3 | 6.6 |
| | 35 | 70.7 | 2.7 | 86.0 | 3.4 | 100.3 | 4.0 | 120.0 | 4.8 | 140.6 | 5.8 | 160.3 | 6.8 |
| | 40 | 70.7 | 2.8 | 86.0 | 3.4 | 100.3 | 4.1 | 120.0 | 5.0 | 140.6 | 5.9 | 160.3 | 6.9 |
| | 45 | 70.7 | 2.9 | 86.0 | 3.5 | 100.3 | 4.2 | 120.0 | 5.1 | 140.6 | 6.1 | 160.3 | 7.1 |
| | 50 | 70.7 | 3.0 | 86.0 | 3.6 | 100.3 | 4.3 | 120.0 | 5.2 | 140.6 | 6.3 | 160.3 | 7.3 |
| | 55 | 70.7 | 3.0 | 86.0 | 3.7 | 100.3 | 4.4 | 120.0 | 5.4 | 140.6 | 6.4 | 160.3 | 7.5 |
| | 60 | 70.7 | 3.1 | 86.0 | 3.8 | 100.3 | 4.5 | 120.0 | 5.5 | 140.6 | 6.6 | 160.3 | 7.7 |
| | 65 | 70.7 | 3.2 | 86.0 | 3.9 | 100.3 | 4.6 | 120.0 | 5.7 | 140.6 | 6.8 | 160.3 | 7.9 |
| | 70 | 70.7 | 3.5 | 86.0 | 4.3 | 100.3 | 5.0 | 120.0 | 6.2 | 140.6 | 7.4 | 160.3 | 8.6 |
| | 75 | 70.7 | 3.8 | 86.0 | 4.7 | 100.3 | 5.5 | 120.0 | 6.8 | 140.6 | 8.1 | 160.3 | 9.4 |
| | 80 | 70.7 | 4.2 | 86.0 | 5.2 | 100.3 | 6.1 | 120.0 | 7.4 | 140.6 | 8.9 | 160.3 | 10.4 |
| | 85 | 70.7 | 4.6 | 86.0 | 5.7 | 100.3 | 6.7 | 120.0 | 8.1 | 140.6 | 9.7 | 160.3 | 11.4 |
| | 90 | 70.7 | 5.0 | 86.0 | 6.2 | 100.3 | 7.3 | 120.0 | 8.9 | 140.6 | 10.7 | 160.3 | 12.5 |
| | 95 | 70.7 | 5.5 | 86.0 | 6.8 | 100.3 | 8.0 | 120.0 | 9.7 | 140.6 | 11.7 | 160.3 | 13.6 |
| 100 | 70.7 | 6.0 | 86.0 | 7.4 | 100.3 | 8.7 | 120.0 | 10.6 | 140.6 | 12.7 | 160.3 | 14.8 | |
| 105 | 70.7 | 6.5 | 86.0 | 7.9 | 100.3 | 9.4 | 120.0 | 11.4 | 140.6 | 13.7 | 160.3 | 16.0 | |
| 110 | 70.7 | 6.9 | 86.0 | 8.5 | 100.3 | 10.0 | 120.0 | 12.2 | 140.6 | 14.6 | 160.3 | 17.1 | |
| 115 | 70.7 | 7.3 | 86.0 | 9.0 | 100.3 | 10.6 | 120.0 | 12.9 | 140.6 | 15.5 | 160.3 | 18.1 | |
| 118 | 70.7 | 7.5 | 86.0 | 9.2 | 100.3 | 10.9 | 120.0 | 13.3 | 140.6 | 15.9 | 160.3 | 18.6 | |
| 125 | 70.7 | 7.8 | 86.0 | 9.6 | 100.3 | 11.4 | 114.0 | 13.2 | 117.4 | 13.9 | 119.7 | 14.5 | |

NOTE - Power Input = Compressor + Outdoor Fan Motor.
 MBH = 1000 BTUs per hour.

HEATING CAPACITY - TWO MODULE | VRB240L4

| Combination (%) | Outdoor Temperature (°F) | | Indoor Temperature - °F Dry Bulb | | | | | | | | | | | |
|-----------------|--------------------------|----------|----------------------------------|----------------|----------------|----------------|----------------|----------------|----------------|----------------|----------------|----------------|----------------|----------------|
| | | | 61 | | 64 | | 67 | | 70 | | 73 | | 75 | |
| | Dry Bulb | Wet Bulb | Total Cap. MBH | Power Input kW | Total Cap. MBH | Power Input kW | Total Cap. MBH | Power Input kW | Total Cap. MBH | Power Input kW | Total Cap. MBH | Power Input kW | Total Cap. MBH | Power Input kW |
| 130% | -22 | -23 | 176.0 | 26.9 | 172.4 | 27.7 | 169.3 | 28.4 | 166.2 | 29.3 | 163.5 | 30.1 | 161.8 | 30.7 |
| | -17 | -18 | 210.1 | 29.6 | 206.4 | 30.3 | 203.2 | 31.1 | 200.1 | 31.9 | 197.2 | 32.8 | 195.5 | 33.4 |
| | -13 | -14 | 235.6 | 32.1 | 234.8 | 33.1 | 234.1 | 34.0 | 233.5 | 35.1 | 232.8 | 36.2 | 232.5 | 37.0 |
| | -8 | -9 | 250.4 | 33.2 | 250.8 | 34.3 | 251.0 | 35.4 | 251.2 | 36.5 | 251.3 | 37.7 | 251.4 | 38.5 |
| | -3 | -4 | 261.5 | 33.9 | 261.8 | 35.0 | 262.1 | 36.1 | 262.2 | 37.3 | 262.3 | 38.5 | 262.4 | 39.3 |
| | 2 | 1 | 273.4 | 34.4 | 273.4 | 35.5 | 273.4 | 36.6 | 273.3 | 37.7 | 273.2 | 39.0 | 273.1 | 39.8 |
| | 7 | 6 | 285.5 | 34.5 | 285.2 | 35.6 | 284.8 | 36.7 | 284.3 | 37.8 | 283.8 | 39.0 | 283.4 | 39.8 |
| | 12 | 10 | 296.5 | 34.7 | 295.9 | 35.8 | 295.2 | 36.9 | 294.4 | 38.0 | 293.6 | 39.2 | 293.1 | 40.0 |
| | 17 | 15 | 312.2 | 35.2 | 311.1 | 36.2 | 310.1 | 37.3 | 309.0 | 38.4 | 307.9 | 39.6 | 307.2 | 40.4 |
| | 22 | 20 | 328.7 | 35.7 | 327.3 | 36.8 | 326.0 | 37.8 | 324.6 | 38.9 | 328.8 | 40.7 | 314.5 | 38.2 |
| | 27 | 24 | 343.8 | 36.3 | 342.1 | 37.3 | 340.6 | 38.4 | 338.9 | 39.5 | 328.8 | 37.8 | 314.5 | 35.3 |
| | 32 | 29 | 362.5 | 37.0 | 360.6 | 38.1 | 358.7 | 39.1 | 351.0 | 37.9 | 328.8 | 34.2 | 314.5 | 31.8 |
| | 37 | 34 | 383.0 | 37.9 | 380.7 | 39.0 | 373.2 | 37.7 | 351.0 | 34.1 | 328.8 | 30.6 | 314.5 | 28.9 |
| | 42 | 38 | 399.6 | 38.7 | 394.1 | 38.0 | 373.2 | 34.6 | 351.0 | 31.1 | 328.8 | 28.5 | 314.5 | 26.9 |
| | 47 | 43 | 416.2 | 37.4 | 394.1 | 33.9 | 373.2 | 30.7 | 351.0 | 28.3 | 328.8 | 26.0 | 314.5 | 24.5 |
| | 52 | 47 | 416.2 | 34.2 | 394.1 | 30.9 | 373.2 | 28.6 | 351.0 | 26.3 | 328.8 | 24.1 | 314.5 | 22.8 |
| | 57 | 52 | 416.2 | 30.3 | 394.1 | 28.1 | 373.2 | 26.0 | 351.0 | 24.0 | 328.8 | 21.9 | 314.5 | 20.7 |
| | 62 | 56 | 416.2 | 28.2 | 394.1 | 26.1 | 373.2 | 24.2 | 351.0 | 22.2 | 328.8 | 20.3 | 314.5 | 19.2 |
| | 67 | 61 | 416.2 | 25.7 | 394.1 | 23.7 | 373.2 | 21.9 | 351.0 | 20.1 | 328.8 | 18.5 | 314.5 | 17.5 |
| | 72 | 66 | 416.2 | 23.3 | 394.1 | 21.5 | 373.2 | 19.8 | 351.0 | 18.3 | 328.8 | 16.9 | 314.5 | 16.0 |
| 75 | 69 | 416.2 | 21.9 | 394.1 | 20.1 | 373.2 | 18.6 | 351.0 | 17.2 | 328.8 | 15.9 | 314.5 | 15.1 | |
| 80 | 74 | 416.2 | 19.7 | 394.1 | 18.2 | 373.2 | 17.0 | 351.0 | 15.7 | 328.8 | 14.5 | 314.5 | 13.8 | |
| 120% | -22 | -23 | 173.8 | 27.2 | 170.3 | 28.0 | 167.4 | 28.8 | 164.4 | 29.6 | 161.8 | 30.5 | 160.2 | 31.1 |
| | -17 | -18 | 207.1 | 30.0 | 203.6 | 30.8 | 200.6 | 31.5 | 197.6 | 32.4 | 194.9 | 33.3 | 193.3 | 33.9 |
| | -13 | -14 | 234.1 | 32.7 | 233.4 | 33.7 | 232.7 | 34.7 | 232.1 | 35.8 | 231.5 | 36.9 | 231.2 | 37.7 |
| | -8 | -9 | 249.7 | 33.9 | 249.9 | 35.1 | 250.1 | 36.1 | 250.3 | 37.3 | 250.5 | 38.6 | 250.5 | 39.4 |
| | -3 | -4 | 260.8 | 34.7 | 261.0 | 35.8 | 261.2 | 36.9 | 261.3 | 38.1 | 261.4 | 39.4 | 261.5 | 40.2 |
| | 2 | 1 | 272.4 | 35.2 | 272.4 | 36.3 | 272.4 | 37.4 | 272.2 | 38.6 | 272.1 | 39.8 | 271.4 | 40.5 |
| | 7 | 6 | 284.3 | 35.3 | 283.9 | 36.4 | 283.4 | 37.5 | 282.9 | 38.7 | 282.4 | 39.9 | 281.2 | 40.5 |
| | 12 | 10 | 295.0 | 35.6 | 294.3 | 36.7 | 293.6 | 37.7 | 292.8 | 38.9 | 292.1 | 40.1 | 290.3 | 40.0 |
| | 17 | 15 | 310.3 | 36.0 | 309.3 | 37.1 | 308.2 | 38.2 | 307.1 | 39.3 | 303.5 | 39.3 | 290.3 | 37.0 |
| | 22 | 20 | 326.5 | 36.6 | 325.1 | 37.7 | 323.8 | 38.8 | 324.0 | 39.5 | 303.5 | 36.0 | 290.3 | 33.8 |
| | 27 | 24 | 341.3 | 37.2 | 339.7 | 38.3 | 344.5 | 40.0 | 324.0 | 36.6 | 303.5 | 33.2 | 290.3 | 31.0 |
| | 32 | 29 | 359.7 | 38.0 | 363.7 | 39.6 | 344.5 | 36.4 | 324.0 | 33.1 | 303.5 | 30.0 | 290.3 | 28.4 |
| | 37 | 34 | 384.2 | 39.0 | 363.7 | 35.7 | 344.5 | 32.7 | 324.0 | 29.7 | 303.5 | 27.4 | 290.3 | 25.9 |
| | 42 | 38 | 384.2 | 35.9 | 363.7 | 32.7 | 344.5 | 29.9 | 324.0 | 27.6 | 303.5 | 25.4 | 290.3 | 24.1 |
| | 47 | 43 | 384.2 | 31.9 | 363.7 | 29.3 | 344.5 | 27.2 | 324.0 | 25.2 | 303.5 | 23.2 | 290.3 | 21.9 |
| | 52 | 47 | 384.2 | 29.3 | 363.7 | 27.2 | 344.5 | 25.3 | 324.0 | 23.4 | 303.5 | 21.5 | 290.3 | 20.3 |
| | 57 | 52 | 384.2 | 26.7 | 363.7 | 24.8 | 344.5 | 23.0 | 324.0 | 21.2 | 303.5 | 19.5 | 290.3 | 18.6 |
| | 62 | 56 | 384.2 | 24.8 | 363.7 | 23.0 | 344.5 | 21.3 | 324.0 | 19.6 | 303.5 | 18.2 | 290.3 | 17.3 |
| | 67 | 61 | 384.2 | 22.5 | 363.7 | 20.8 | 344.5 | 19.3 | 324.0 | 17.9 | 303.5 | 16.6 | 290.3 | 15.8 |
| | 72 | 66 | 384.2 | 20.3 | 363.7 | 18.8 | 344.5 | 17.5 | 324.0 | 16.3 | 303.5 | 15.1 | 290.3 | 14.4 |
| 75 | 69 | 384.2 | 19.0 | 363.7 | 17.7 | 344.5 | 16.5 | 324.0 | 15.4 | 303.5 | 14.3 | 290.3 | 13.6 | |
| 80 | 74 | 384.2 | 17.3 | 363.7 | 16.1 | 344.5 | 15.1 | 324.0 | 14.1 | 303.5 | 13.1 | 290.3 | 12.5 | |

NOTE - Power Input = Compressor + Outdoor Fan Motor.
 MBH = 1000 BTUs per hour.

HEATING CAPACITY - TWO MODULE | VRB240L4

| Combination (%) | Outdoor Temperature (°F) | | Indoor Temperature - °F Dry Bulb | | | | | | | | | | | |
|-----------------|--------------------------|----------|----------------------------------|----------------|----------------|----------------|----------------|----------------|----------------|----------------|----------------|----------------|----------------|----------------|
| | | | 61 | | 64 | | 67 | | 70 | | 73 | | 75 | |
| | Dry Bulb | Wet Bulb | Total Cap. MBH | Power Input kW | Total Cap. MBH | Power Input kW | Total Cap. MBH | Power Input kW | Total Cap. MBH | Power Input kW | Total Cap. MBH | Power Input kW | Total Cap. MBH | Power Input kW |
| 110% | -22 | -23 | 171.1 | 27.7 | 167.9 | 28.5 | 165.2 | 29.2 | 162.5 | 30.1 | 160.1 | 31.0 | 158.6 | 31.6 |
| | -17 | -18 | 204.0 | 30.5 | 200.7 | 31.3 | 197.8 | 32.1 | 195.0 | 32.9 | 192.5 | 33.8 | 191.0 | 34.5 |
| | -13 | -14 | 232.7 | 33.4 | 232.0 | 34.5 | 231.4 | 35.5 | 230.8 | 36.6 | 230.2 | 37.7 | 229.9 | 38.5 |
| | -8 | -9 | 249.0 | 34.8 | 249.2 | 35.9 | 249.4 | 37.1 | 249.5 | 38.3 | 249.7 | 39.5 | 249.7 | 40.4 |
| | -3 | -4 | 260.1 | 35.6 | 260.3 | 36.8 | 260.4 | 37.9 | 260.5 | 39.1 | 260.6 | 40.4 | 257.2 | 40.5 |
| | 2 | 1 | 271.5 | 36.1 | 271.5 | 37.3 | 271.4 | 38.4 | 271.2 | 39.6 | 269.4 | 40.5 | 266.1 | 40.2 |
| | 7 | 6 | 283.0 | 36.3 | 282.5 | 37.4 | 282.1 | 38.5 | 281.6 | 39.8 | 278.2 | 39.8 | 266.1 | 37.8 |
| | 12 | 10 | 293.5 | 36.6 | 292.7 | 37.7 | 292.0 | 38.8 | 297.0 | 40.8 | 278.2 | 37.6 | 266.1 | 35.6 |
| | 17 | 15 | 308.4 | 37.1 | 307.3 | 38.2 | 306.3 | 39.3 | 297.0 | 37.7 | 278.2 | 34.6 | 266.1 | 32.6 |
| | 22 | 20 | 324.2 | 37.7 | 322.8 | 38.8 | 315.8 | 37.7 | 297.0 | 34.5 | 278.2 | 31.5 | 266.1 | 29.8 |
| | 27 | 24 | 338.7 | 38.4 | 333.4 | 37.7 | 315.8 | 34.8 | 297.0 | 31.7 | 278.2 | 29.1 | 266.1 | 27.7 |
| | 32 | 29 | 352.2 | 37.2 | 333.4 | 34.2 | 315.8 | 31.4 | 297.0 | 28.9 | 278.2 | 26.7 | 266.1 | 25.3 |
| | 37 | 34 | 352.2 | 33.4 | 333.4 | 30.5 | 315.8 | 28.4 | 297.0 | 26.3 | 278.2 | 24.3 | 266.1 | 23.0 |
| | 42 | 38 | 352.2 | 30.4 | 333.4 | 28.2 | 315.8 | 26.4 | 297.0 | 24.4 | 278.2 | 22.6 | 266.1 | 21.4 |
| | 47 | 43 | 352.2 | 27.6 | 333.4 | 25.7 | 315.8 | 24.0 | 297.0 | 22.2 | 278.2 | 20.5 | 266.1 | 19.5 |
| | 52 | 47 | 352.2 | 25.6 | 333.4 | 23.9 | 315.8 | 22.3 | 297.0 | 20.6 | 278.2 | 19.1 | 266.1 | 18.2 |
| | 57 | 52 | 352.2 | 23.3 | 333.4 | 21.7 | 315.8 | 20.2 | 297.0 | 18.8 | 278.2 | 17.5 | 266.1 | 16.7 |
| | 62 | 56 | 352.2 | 21.6 | 333.4 | 20.1 | 315.8 | 18.7 | 297.0 | 17.5 | 278.2 | 16.3 | 266.1 | 15.5 |
| | 67 | 61 | 352.2 | 19.5 | 333.4 | 18.2 | 315.8 | 17.1 | 297.0 | 15.9 | 278.2 | 14.8 | 266.1 | 14.1 |
| | 72 | 66 | 352.2 | 17.7 | 333.4 | 16.5 | 315.8 | 15.5 | 297.0 | 14.5 | 278.2 | 13.5 | 266.1 | 12.9 |
| 75 | 69 | 352.2 | 16.6 | 333.4 | 15.6 | 315.8 | 14.6 | 297.0 | 13.7 | 278.2 | 12.8 | 266.1 | 12.2 | |
| 80 | 74 | 352.2 | 15.1 | 333.4 | 14.2 | 315.8 | 13.4 | 297.0 | 12.5 | 278.2 | 11.7 | 266.1 | 11.2 | |
| 100% | -22 | -23 | 168.3 | 28.2 | 165.3 | 29.0 | 162.7 | 29.8 | 160.2 | 30.6 | 157.9 | 31.5 | 156.6 | 32.2 |
| | -17 | -18 | 200.6 | 31.1 | 197.6 | 31.9 | 194.9 | 32.7 | 192.4 | 33.6 | 190.0 | 34.5 | 188.6 | 35.1 |
| | -13 | -14 | 231.3 | 34.3 | 230.6 | 35.4 | 230.0 | 36.4 | 229.5 | 37.6 | 229.0 | 38.8 | 228.7 | 39.6 |
| | -8 | -9 | 248.4 | 35.9 | 248.5 | 37.0 | 248.7 | 38.2 | 248.8 | 39.4 | 252.9 | 41.3 | 241.9 | 39.7 |
| | -3 | -4 | 259.4 | 36.7 | 259.6 | 37.9 | 259.7 | 39.1 | 259.7 | 40.4 | 252.9 | 39.7 | 241.9 | 38.0 |
| | 2 | 1 | 270.6 | 37.3 | 270.5 | 38.5 | 270.4 | 39.7 | 270.0 | 40.4 | 252.9 | 37.7 | 241.9 | 35.9 |
| | 7 | 6 | 281.7 | 37.5 | 281.2 | 38.7 | 280.7 | 39.8 | 270.0 | 38.0 | 252.9 | 35.2 | 241.9 | 33.4 |
| | 12 | 10 | 291.8 | 37.8 | 291.1 | 39.0 | 287.1 | 38.6 | 270.0 | 35.8 | 252.9 | 33.0 | 241.9 | 31.2 |
| | 17 | 15 | 306.3 | 38.4 | 303.1 | 38.2 | 287.1 | 35.6 | 270.0 | 32.8 | 252.9 | 30.2 | 241.9 | 28.8 |
| | 22 | 20 | 320.2 | 37.8 | 303.1 | 35.1 | 287.1 | 32.4 | 270.0 | 29.9 | 252.9 | 27.8 | 241.9 | 26.4 |
| | 27 | 24 | 320.2 | 34.9 | 303.1 | 32.2 | 287.1 | 29.8 | 270.0 | 27.7 | 252.9 | 25.8 | 241.9 | 24.5 |
| | 32 | 29 | 320.2 | 31.5 | 303.1 | 29.1 | 287.1 | 27.3 | 270.0 | 25.4 | 252.9 | 23.5 | 241.9 | 22.3 |
| | 37 | 34 | 320.2 | 28.3 | 303.1 | 26.5 | 287.1 | 24.8 | 270.0 | 23.1 | 252.9 | 21.4 | 241.9 | 20.3 |
| | 42 | 38 | 320.2 | 26.3 | 303.1 | 24.6 | 287.1 | 23.1 | 270.0 | 21.4 | 252.9 | 19.8 | 241.9 | 19.0 |
| | 47 | 43 | 320.2 | 23.9 | 303.1 | 22.4 | 287.1 | 20.9 | 270.0 | 19.5 | 252.9 | 18.2 | 241.9 | 17.4 |
| | 52 | 47 | 320.2 | 22.2 | 303.1 | 20.7 | 287.1 | 19.4 | 270.0 | 18.2 | 252.9 | 17.0 | 241.9 | 16.3 |
| | 57 | 52 | 320.2 | 20.1 | 303.1 | 18.8 | 287.1 | 17.7 | 270.0 | 16.6 | 252.9 | 15.6 | 241.9 | 14.9 |
| | 62 | 56 | 320.2 | 18.6 | 303.1 | 17.5 | 287.1 | 16.5 | 270.0 | 15.5 | 252.9 | 14.5 | 241.9 | 13.8 |
| | 67 | 61 | 320.2 | 17.0 | 303.1 | 15.9 | 287.1 | 15.0 | 270.0 | 14.1 | 252.9 | 13.2 | 241.9 | 12.6 |
| | 72 | 66 | 320.2 | 15.4 | 303.1 | 14.5 | 287.1 | 13.7 | 270.0 | 12.8 | 252.9 | 12.0 | 241.9 | 11.5 |
| 75 | 69 | 320.2 | 14.5 | 303.1 | 13.7 | 287.1 | 12.9 | 270.0 | 12.1 | 252.9 | 11.4 | 241.9 | 10.9 | |
| 80 | 74 | 320.2 | 13.2 | 303.1 | 12.5 | 287.1 | 11.8 | 270.0 | 11.1 | 252.9 | 10.5 | 241.9 | 10.0 | |

NOTE - Power Input = Compressor + Outdoor Fan Motor.
 MBH = 1000 BTUs per hour.

HEATING CAPACITY - TWO MODULE | VRB240L4

| Combination (%) | Outdoor Temperature (°F) | | Indoor Temperature - °F Dry Bulb | | | | | | | | | | | |
|-----------------|--------------------------|----------|----------------------------------|----------------|----------------|----------------|----------------|----------------|----------------|----------------|----------------|----------------|----------------|----------------|
| | | | 61 | | 64 | | 67 | | 70 | | 73 | | 75 | |
| | Dry Bulb | Wet Bulb | Total Cap. MBH | Power Input kW | Total Cap. MBH | Power Input kW | Total Cap. MBH | Power Input kW | Total Cap. MBH | Power Input kW | Total Cap. MBH | Power Input kW | Total Cap. MBH | Power Input kW |
| 90% | -22 | -23 | 165.3 | 28.8 | 162.5 | 29.6 | 160.1 | 30.4 | 157.8 | 31.3 | 155.7 | 32.2 | 154.5 | 32.8 |
| | -17 | -18 | 197.1 | 31.8 | 194.3 | 32.6 | 191.9 | 33.5 | 189.6 | 34.4 | 187.4 | 35.3 | 186.1 | 36.0 |
| | -13 | -14 | 229.8 | 35.4 | 229.2 | 36.6 | 228.7 | 37.6 | 228.2 | 38.8 | 227.6 | 39.8 | 217.7 | 38.4 |
| | -8 | -9 | 247.8 | 37.2 | 248.0 | 38.4 | 248.1 | 39.6 | 243.0 | 39.4 | 227.6 | 37.2 | 217.7 | 35.7 |
| | -3 | -4 | 258.9 | 38.2 | 258.9 | 39.4 | 258.4 | 40.1 | 243.0 | 37.7 | 227.6 | 35.4 | 217.7 | 33.9 |
| | 2 | 1 | 269.7 | 38.8 | 272.8 | 40.3 | 258.4 | 38.0 | 243.0 | 35.6 | 227.6 | 33.2 | 217.7 | 31.6 |
| | 7 | 6 | 280.3 | 39.0 | 272.8 | 37.9 | 258.4 | 35.6 | 243.0 | 33.1 | 227.6 | 30.8 | 217.7 | 29.5 |
| | 12 | 10 | 288.2 | 38.2 | 272.8 | 35.7 | 258.4 | 33.4 | 243.0 | 30.9 | 227.6 | 29.0 | 217.7 | 27.7 |
| | 17 | 15 | 288.2 | 35.2 | 272.8 | 32.7 | 258.4 | 30.4 | 243.0 | 28.5 | 227.6 | 26.6 | 217.7 | 25.4 |
| | 22 | 20 | 288.2 | 32.0 | 272.8 | 29.7 | 258.4 | 27.9 | 243.0 | 26.1 | 227.6 | 24.4 | 217.7 | 23.2 |
| | 27 | 24 | 288.2 | 29.3 | 272.8 | 27.6 | 258.4 | 25.9 | 243.0 | 24.2 | 227.6 | 22.5 | 217.7 | 21.4 |
| | 32 | 29 | 288.2 | 26.9 | 272.8 | 25.2 | 258.4 | 23.7 | 243.0 | 22.1 | 227.6 | 20.5 | 217.7 | 19.6 |
| | 37 | 34 | 288.2 | 24.4 | 272.8 | 22.9 | 258.4 | 21.5 | 243.0 | 20.0 | 227.6 | 18.8 | 217.7 | 18.0 |
| | 42 | 38 | 288.2 | 22.7 | 272.8 | 21.2 | 258.4 | 19.9 | 243.0 | 18.7 | 227.6 | 17.6 | 217.7 | 16.9 |
| | 47 | 43 | 288.2 | 20.6 | 272.8 | 19.3 | 258.4 | 18.2 | 243.0 | 17.2 | 227.6 | 16.1 | 217.7 | 15.5 |
| | 52 | 47 | 288.2 | 19.0 | 272.8 | 18.0 | 258.4 | 17.0 | 243.0 | 16.0 | 227.6 | 15.1 | 217.7 | 14.4 |
| | 57 | 52 | 288.2 | 17.4 | 272.8 | 16.4 | 258.4 | 15.6 | 243.0 | 14.6 | 227.6 | 13.7 | 217.7 | 13.2 |
| | 62 | 56 | 288.2 | 16.2 | 272.8 | 15.3 | 258.4 | 14.4 | 243.0 | 13.6 | 227.6 | 12.8 | 217.7 | 12.2 |
| | 67 | 61 | 288.2 | 14.7 | 272.8 | 13.9 | 258.4 | 13.1 | 243.0 | 12.3 | 227.6 | 11.6 | 217.7 | 11.1 |
| | 72 | 66 | 288.2 | 13.3 | 272.8 | 12.6 | 258.4 | 11.9 | 243.0 | 11.3 | 227.6 | 10.6 | 217.7 | 10.2 |
| 75 | 69 | 288.2 | 12.6 | 272.8 | 11.9 | 258.4 | 11.3 | 243.0 | 10.7 | 227.6 | 10.0 | 217.7 | 9.7 | |
| 80 | 74 | 288.2 | 11.5 | 272.8 | 10.9 | 258.4 | 10.4 | 243.0 | 9.8 | 227.6 | 9.2 | 217.7 | 8.9 | |
| 80% | -22 | -23 | 162.1 | 29.5 | 159.5 | 30.4 | 157.4 | 31.2 | 155.3 | 32.1 | 153.4 | 33.1 | 152.2 | 33.7 |
| | -17 | -18 | 193.4 | 32.7 | 190.9 | 33.6 | 188.7 | 34.5 | 186.6 | 35.4 | 184.7 | 36.4 | 183.5 | 37.1 |
| | -13 | -14 | 228.4 | 36.9 | 227.9 | 38.1 | 229.7 | 39.4 | 216.0 | 37.5 | 202.3 | 35.6 | 193.5 | 34.4 |
| | -8 | -9 | 247.4 | 39.0 | 242.5 | 38.7 | 229.7 | 36.9 | 216.0 | 34.9 | 202.3 | 32.9 | 193.5 | 31.9 |
| | -3 | -4 | 256.1 | 39.1 | 242.5 | 37.0 | 229.7 | 35.1 | 216.0 | 33.0 | 202.3 | 31.2 | 193.5 | 30.2 |
| | 2 | 1 | 256.1 | 37.0 | 242.5 | 34.9 | 229.7 | 32.9 | 216.0 | 30.9 | 202.3 | 29.3 | 193.5 | 28.3 |
| | 7 | 6 | 256.1 | 34.5 | 242.5 | 32.4 | 229.7 | 30.4 | 216.0 | 28.8 | 202.3 | 27.2 | 193.5 | 26.1 |
| | 12 | 10 | 256.1 | 32.3 | 242.5 | 30.2 | 229.7 | 28.7 | 216.0 | 27.0 | 202.3 | 25.4 | 193.5 | 24.3 |
| | 17 | 15 | 256.1 | 29.4 | 242.5 | 27.8 | 229.7 | 26.3 | 216.0 | 24.7 | 202.3 | 23.2 | 193.5 | 22.1 |
| | 22 | 20 | 256.1 | 27.1 | 242.5 | 25.5 | 229.7 | 24.1 | 216.0 | 22.6 | 202.3 | 21.1 | 193.5 | 20.1 |
| | 27 | 24 | 256.1 | 25.1 | 242.5 | 23.6 | 229.7 | 22.3 | 216.0 | 20.8 | 202.3 | 19.5 | 193.5 | 18.8 |
| | 32 | 29 | 256.1 | 22.9 | 242.5 | 21.5 | 229.7 | 20.3 | 216.0 | 19.1 | 202.3 | 18.0 | 193.5 | 17.4 |
| | 37 | 34 | 256.1 | 20.8 | 242.5 | 19.5 | 229.7 | 18.5 | 216.0 | 17.6 | 202.3 | 16.6 | 193.5 | 16.0 |
| | 42 | 38 | 256.1 | 19.2 | 242.5 | 18.2 | 229.7 | 17.3 | 216.0 | 16.4 | 202.3 | 15.5 | 193.5 | 14.9 |
| | 47 | 43 | 256.1 | 17.6 | 242.5 | 16.7 | 229.7 | 15.9 | 216.0 | 15.0 | 202.3 | 14.2 | 193.5 | 13.6 |
| | 52 | 47 | 256.1 | 16.4 | 242.5 | 15.6 | 229.7 | 14.8 | 216.0 | 14.0 | 202.3 | 13.2 | 193.5 | 12.7 |
| | 57 | 52 | 256.1 | 15.0 | 242.5 | 14.2 | 229.7 | 13.5 | 216.0 | 12.7 | 202.3 | 12.0 | 193.5 | 11.5 |
| | 62 | 56 | 256.1 | 13.9 | 242.5 | 13.2 | 229.7 | 12.5 | 216.0 | 11.8 | 202.3 | 11.1 | 193.5 | 10.7 |
| | 67 | 61 | 256.1 | 12.6 | 242.5 | 12.0 | 229.7 | 11.4 | 216.0 | 10.7 | 202.3 | 10.1 | 193.5 | 9.7 |
| | 72 | 66 | 256.1 | 11.5 | 242.5 | 10.9 | 229.7 | 10.4 | 216.0 | 9.8 | 202.3 | 9.3 | 193.5 | 9.2 |
| 75 | 69 | 256.1 | 10.8 | 242.5 | 10.3 | 229.7 | 9.8 | 216.0 | 9.3 | 202.3 | 9.1 | 193.5 | 8.8 | |
| 80 | 74 | 256.1 | 9.9 | 242.5 | 9.5 | 229.7 | 9.1 | 216.0 | 8.7 | 202.3 | 8.3 | 193.5 | 8.0 | |

NOTE - Power Input = Compressor + Outdoor Fan Motor.
 MBH = 1000 BTUs per hour.

HEATING CAPACITY - TWO MODULE | VRB240L4

| Combination (%) | Outdoor Temperature (°F) | | Indoor Temperature - °F Dry Bulb | | | | | | | | | | | |
|-----------------|--------------------------|----------|----------------------------------|----------------|----------------|----------------|----------------|----------------|----------------|----------------|----------------|----------------|----------------|----------------|
| | | | 61 | | 64 | | 67 | | 70 | | 73 | | 75 | |
| | Dry Bulb | Wet Bulb | Total Cap. MBH | Power Input kW | Total Cap. MBH | Power Input kW | Total Cap. MBH | Power Input kW | Total Cap. MBH | Power Input kW | Total Cap. MBH | Power Input kW | Total Cap. MBH | Power Input kW |
| 70% | -22 | -23 | 158.6 | 30.5 | 156.3 | 31.4 | 154.4 | 32.2 | 152.6 | 33.2 | 150.9 | 34.2 | 149.9 | 34.8 |
| | -17 | -18 | 189.4 | 34.0 | 187.2 | 34.9 | 185.3 | 35.8 | 183.4 | 36.8 | 177.1 | 36.8 | 169.3 | 36.1 |
| | -13 | -14 | 224.1 | 37.8 | 212.2 | 36.2 | 200.9 | 34.7 | 189.0 | 33.3 | 177.1 | 32.2 | 169.3 | 31.5 |
| | -8 | -9 | 224.1 | 35.3 | 212.2 | 33.6 | 200.9 | 32.0 | 189.0 | 30.8 | 177.1 | 29.7 | 169.3 | 28.9 |
| | -3 | -4 | 224.1 | 33.5 | 212.2 | 31.7 | 200.9 | 30.4 | 189.0 | 29.1 | 177.1 | 27.8 | 169.3 | 27.0 |
| | 2 | 1 | 224.1 | 31.3 | 212.2 | 29.8 | 200.9 | 28.5 | 189.0 | 27.2 | 177.1 | 25.8 | 169.3 | 24.9 |
| | 7 | 6 | 224.1 | 29.0 | 212.2 | 27.7 | 200.9 | 26.4 | 189.0 | 25.0 | 177.1 | 23.6 | 169.3 | 22.7 |
| | 12 | 10 | 224.1 | 27.3 | 212.2 | 25.9 | 200.9 | 24.7 | 189.0 | 23.3 | 177.1 | 21.9 | 169.3 | 21.0 |
| | 17 | 15 | 224.1 | 25.0 | 212.2 | 23.7 | 200.9 | 22.5 | 189.0 | 21.1 | 177.1 | 19.8 | 169.3 | 19.1 |
| | 22 | 20 | 224.1 | 22.8 | 212.2 | 21.6 | 200.9 | 20.4 | 189.0 | 19.3 | 177.1 | 18.3 | 169.3 | 17.6 |
| | 27 | 24 | 224.1 | 21.1 | 212.2 | 19.9 | 200.9 | 18.9 | 189.0 | 18.0 | 177.1 | 17.1 | 169.3 | 16.5 |
| | 32 | 29 | 224.1 | 19.2 | 212.2 | 18.3 | 200.9 | 17.5 | 189.0 | 16.6 | 177.1 | 15.8 | 169.3 | 15.2 |
| | 37 | 34 | 224.1 | 17.6 | 212.2 | 16.8 | 200.9 | 16.1 | 189.0 | 15.3 | 177.1 | 14.5 | 169.3 | 14.0 |
| | 42 | 38 | 224.1 | 16.5 | 212.2 | 15.7 | 200.9 | 15.0 | 189.0 | 14.2 | 177.1 | 13.5 | 169.3 | 13.0 |
| | 47 | 43 | 224.1 | 15.1 | 212.2 | 14.4 | 200.9 | 13.7 | 189.0 | 13.0 | 177.1 | 12.3 | 169.3 | 11.9 |
| | 52 | 47 | 224.1 | 14.0 | 212.2 | 13.4 | 200.9 | 12.7 | 189.0 | 12.1 | 177.1 | 11.4 | 169.3 | 11.0 |
| | 57 | 52 | 224.1 | 12.7 | 212.2 | 12.1 | 200.9 | 11.6 | 189.0 | 11.0 | 177.1 | 10.4 | 169.3 | 10.0 |
| | 62 | 56 | 224.1 | 11.8 | 212.2 | 11.2 | 200.9 | 10.7 | 189.0 | 10.2 | 177.1 | 9.6 | 169.3 | 9.4 |
| | 67 | 61 | 224.1 | 10.7 | 212.2 | 10.2 | 200.9 | 9.7 | 189.0 | 9.3 | 177.1 | 9.0 | 169.3 | 8.7 |
| | 72 | 66 | 224.1 | 9.7 | 212.2 | 9.3 | 200.9 | 9.0 | 189.0 | 8.7 | 177.1 | 8.3 | 169.3 | 8.0 |
| 75 | 69 | 224.1 | 9.2 | 212.2 | 8.9 | 200.9 | 8.8 | 189.0 | 8.3 | 177.1 | 7.9 | 169.3 | 7.7 | |
| 80 | 74 | 224.1 | 8.5 | 212.2 | 8.4 | 200.9 | 8.0 | 189.0 | 7.6 | 177.1 | 7.2 | 169.3 | 6.9 | |
| 60% | -22 | -23 | 154.7 | 31.9 | 152.8 | 32.8 | 151.2 | 33.7 | 149.6 | 34.6 | 148.3 | 35.7 | 145.1 | 35.9 |
| | -17 | -18 | 185.0 | 35.7 | 181.9 | 36.3 | 172.2 | 35.4 | 162.0 | 34.5 | 151.8 | 33.6 | 145.1 | 33.0 |
| | -13 | -14 | 192.1 | 32.6 | 181.9 | 31.8 | 172.2 | 31.0 | 162.0 | 30.0 | 151.8 | 29.1 | 145.1 | 28.5 |
| | -8 | -9 | 192.1 | 30.3 | 181.9 | 29.3 | 172.2 | 28.4 | 162.0 | 27.4 | 151.8 | 26.4 | 145.1 | 25.8 |
| | -3 | -4 | 192.1 | 28.6 | 181.9 | 27.6 | 172.2 | 26.6 | 162.0 | 25.5 | 151.8 | 24.5 | 145.1 | 23.7 |
| | 2 | 1 | 192.1 | 26.7 | 181.9 | 25.6 | 172.2 | 24.6 | 162.0 | 23.5 | 151.8 | 22.3 | 145.1 | 21.6 |
| | 7 | 6 | 192.1 | 24.6 | 181.9 | 23.5 | 172.2 | 22.5 | 162.0 | 21.3 | 151.8 | 20.2 | 145.1 | 19.4 |
| | 12 | 10 | 192.1 | 22.9 | 181.9 | 21.8 | 172.2 | 20.8 | 162.0 | 19.7 | 151.8 | 18.7 | 145.1 | 18.0 |
| | 17 | 15 | 192.1 | 20.8 | 181.9 | 19.7 | 172.2 | 18.9 | 162.0 | 18.0 | 151.8 | 17.1 | 145.1 | 16.5 |
| | 22 | 20 | 192.1 | 18.9 | 181.9 | 18.1 | 172.2 | 17.4 | 162.0 | 16.6 | 151.8 | 15.8 | 145.1 | 15.3 |
| | 27 | 24 | 192.1 | 17.6 | 181.9 | 16.9 | 172.2 | 16.2 | 162.0 | 15.5 | 151.8 | 14.8 | 145.1 | 14.3 |
| | 32 | 29 | 192.1 | 16.3 | 181.9 | 15.6 | 172.2 | 14.9 | 162.0 | 14.3 | 151.8 | 13.6 | 145.1 | 13.2 |
| | 37 | 34 | 192.1 | 14.9 | 181.9 | 14.3 | 172.2 | 13.7 | 162.0 | 13.1 | 151.8 | 12.4 | 145.1 | 12.0 |
| | 42 | 38 | 192.1 | 13.9 | 181.9 | 13.3 | 172.2 | 12.8 | 162.0 | 12.2 | 151.8 | 11.6 | 145.1 | 11.2 |
| | 47 | 43 | 192.1 | 12.7 | 181.9 | 12.1 | 172.2 | 11.6 | 162.0 | 11.1 | 151.8 | 10.5 | 145.1 | 10.1 |
| | 52 | 47 | 192.1 | 11.8 | 181.9 | 11.3 | 172.2 | 10.8 | 162.0 | 10.2 | 151.8 | 9.7 | 145.1 | 9.6 |
| | 57 | 52 | 192.1 | 10.7 | 181.9 | 10.2 | 172.2 | 9.8 | 162.0 | 9.4 | 151.8 | 9.0 | 145.1 | 8.7 |
| | 62 | 56 | 192.1 | 9.9 | 181.9 | 9.4 | 172.2 | 9.2 | 162.0 | 8.8 | 151.8 | 8.4 | 145.1 | 8.1 |
| | 67 | 61 | 192.1 | 9.0 | 181.9 | 8.9 | 172.2 | 8.5 | 162.0 | 8.1 | 151.8 | 7.7 | 145.1 | 7.4 |
| | 72 | 66 | 192.1 | 8.5 | 181.9 | 8.1 | 172.2 | 7.8 | 162.0 | 7.5 | 151.8 | 7.1 | 145.1 | 6.9 |
| 75 | 69 | 192.1 | 8.1 | 181.9 | 7.8 | 172.2 | 7.5 | 162.0 | 7.2 | 151.8 | 6.9 | 145.1 | 6.7 | |
| 80 | 74 | 192.1 | 7.4 | 181.9 | 7.0 | 172.2 | 6.7 | 162.0 | 6.4 | 151.8 | 6.1 | 145.1 | 5.9 | |

NOTE - Power Input = Compressor + Outdoor Fan Motor.
 MBH = 1000 BTUs per hour.

HEATING CAPACITY - TWO MODULE | VRB240L4

| Combination (%) | Outdoor Temperature (°F) | | Indoor Temperature - °F Dry Bulb | | | | | | | | | | | |
|-----------------|--------------------------|----------|----------------------------------|----------------|----------------|----------------|----------------|----------------|----------------|----------------|----------------|----------------|----------------|----------------|
| | | | 61 | | 64 | | 67 | | 70 | | 73 | | 75 | |
| | Dry Bulb | Wet Bulb | Total Cap. MBH | Power Input kW | Total Cap. MBH | Power Input kW | Total Cap. MBH | Power Input kW | Total Cap. MBH | Power Input kW | Total Cap. MBH | Power Input kW | Total Cap. MBH | Power Input kW |
| 50% | -22 | -23 | 150.5 | 33.8 | 151.6 | 35.3 | 143.5 | 34.7 | 135.0 | 34.1 | 126.5 | 33.4 | 120.9 | 32.9 |
| | -17 | -18 | 160.1 | 33.2 | 151.6 | 32.5 | 143.5 | 31.8 | 135.0 | 31.1 | 126.5 | 30.3 | 120.9 | 29.8 |
| | -13 | -14 | 160.1 | 28.9 | 151.6 | 28.2 | 143.5 | 27.5 | 135.0 | 26.7 | 126.5 | 25.9 | 120.9 | 25.4 |
| | -8 | -9 | 160.1 | 26.3 | 151.6 | 25.6 | 143.5 | 24.8 | 135.0 | 24.0 | 126.5 | 23.2 | 120.9 | 22.6 |
| | -3 | -4 | 160.1 | 24.4 | 151.6 | 23.6 | 143.5 | 22.8 | 135.0 | 21.9 | 126.5 | 21.0 | 120.9 | 20.3 |
| | 2 | 1 | 160.1 | 22.4 | 151.6 | 21.5 | 143.5 | 20.7 | 135.0 | 19.7 | 126.5 | 18.6 | 120.9 | 17.9 |
| | 7 | 6 | 160.1 | 20.3 | 151.6 | 19.4 | 143.5 | 18.6 | 135.0 | 17.7 | 126.5 | 16.8 | 120.9 | 16.3 |
| | 12 | 10 | 160.1 | 18.7 | 151.6 | 18.0 | 143.5 | 17.2 | 135.0 | 16.5 | 126.5 | 15.7 | 120.9 | 15.2 |
| | 17 | 15 | 160.1 | 17.1 | 151.6 | 16.4 | 143.5 | 15.8 | 135.0 | 15.2 | 126.5 | 14.5 | 120.9 | 14.1 |
| | 22 | 20 | 160.1 | 15.8 | 151.6 | 15.2 | 143.5 | 14.6 | 135.0 | 14.0 | 126.5 | 13.4 | 120.9 | 13.0 |
| | 27 | 24 | 160.1 | 14.7 | 151.6 | 14.2 | 143.5 | 13.7 | 135.0 | 13.1 | 126.5 | 12.5 | 120.9 | 12.2 |
| | 32 | 29 | 160.1 | 13.6 | 151.6 | 13.1 | 143.5 | 12.6 | 135.0 | 12.1 | 126.5 | 11.5 | 120.9 | 11.2 |
| | 37 | 34 | 160.1 | 12.4 | 151.6 | 11.9 | 143.5 | 11.5 | 135.0 | 11.0 | 126.5 | 10.5 | 120.9 | 10.2 |
| | 42 | 38 | 160.1 | 11.5 | 151.6 | 11.1 | 143.5 | 10.6 | 135.0 | 10.2 | 126.5 | 9.8 | 120.9 | 9.6 |
| | 47 | 43 | 160.1 | 10.5 | 151.6 | 10.0 | 143.5 | 9.6 | 135.0 | 9.4 | 126.5 | 9.0 | 120.9 | 8.7 |
| | 52 | 47 | 160.1 | 9.7 | 151.6 | 9.3 | 143.5 | 9.2 | 135.0 | 8.7 | 126.5 | 8.3 | 120.9 | 8.0 |
| | 57 | 52 | 160.1 | 9.0 | 151.6 | 8.7 | 143.5 | 8.3 | 135.0 | 7.9 | 126.5 | 7.5 | 120.9 | 7.3 |
| 62 | 56 | 160.1 | 8.4 | 151.6 | 8.0 | 143.5 | 7.7 | 135.0 | 7.3 | 126.5 | 7.0 | 120.9 | 6.8 | |
| 67 | 61 | 160.1 | 7.6 | 151.6 | 7.3 | 143.5 | 7.0 | 135.0 | 6.7 | 126.5 | 6.4 | 120.9 | 6.2 | |
| 72 | 66 | 160.1 | 7.0 | 151.6 | 6.8 | 143.5 | 6.5 | 135.0 | 6.3 | 126.5 | 6.0 | 120.9 | 5.9 | |
| 75 | 69 | 160.1 | 6.7 | 151.6 | 6.5 | 143.5 | 6.3 | 135.0 | 6.1 | 126.5 | 5.9 | 120.9 | 5.7 | |
| 80 | 74 | 160.1 | 6.2 | 151.6 | 5.9 | 143.5 | 5.7 | 135.0 | 5.4 | 126.5 | 5.1 | 120.9 | 4.9 | |

NOTE - Power Input = Compressor + Outdoor Fan Motor.
 MBH = 1000 BTUs per hour.

COOLING CAPACITY - THREE MODULE | VRB264L4

| Combination (%) | Outdoor Temperature °F (Dry Bulb) | Indoor Temperature - °F (Dry Bulb / Wet Bulb) | | | | | | | | | | | |
|-----------------|-----------------------------------|---|-------------|------------|-------------|------------|-------------|------------|-------------|------------|-------------|------------|-------------|
| | | 67 / 57 | | 71 / 60 | | 75 / 63 | | 80 / 67 | | 85 / 71 | | 90 / 75 | |
| | | Total Cap. | Power Input | Total Cap. | Power Input | Total Cap. | Power Input | Total Cap. | Power Input | Total Cap. | Power Input | Total Cap. | Power Input |
| | | MBH | KW | MBH | KW | MBH | KW | MBH | KW | MBH | KW | MBH | KW |
| 130% | -10 | 202.3 | 7.2 | 245.9 | 8.8 | 286.9 | 10.4 | 343.2 | 12.7 | 402.1 | 15.2 | 451.0 | 17.4 |
| | -5 | 202.3 | 7.6 | 245.9 | 9.3 | 286.9 | 11.0 | 343.2 | 13.4 | 402.1 | 16.1 | 440.5 | 18.0 |
| | 10 | 202.3 | 7.8 | 245.9 | 9.5 | 286.9 | 11.3 | 343.2 | 13.7 | 402.1 | 16.5 | 436.8 | 18.2 |
| | 15 | 202.3 | 7.9 | 245.9 | 9.8 | 286.9 | 11.5 | 343.2 | 14.0 | 399.5 | 16.7 | 428.2 | 18.2 |
| | 20 | 202.3 | 8.1 | 245.9 | 10.0 | 286.9 | 11.8 | 343.2 | 14.3 | 395.4 | 16.9 | 419.1 | 18.2 |
| | 25 | 202.3 | 8.3 | 245.9 | 10.2 | 286.9 | 12.0 | 343.2 | 14.7 | 391.0 | 17.0 | 409.2 | 18.2 |
| | 30 | 202.3 | 8.5 | 245.9 | 10.4 | 286.9 | 12.3 | 343.2 | 15.0 | 386.9 | 17.2 | 399.6 | 18.2 |
| | 35 | 202.3 | 8.7 | 245.9 | 10.7 | 286.9 | 12.6 | 343.2 | 15.4 | 383.0 | 17.4 | 390.4 | 18.2 |
| | 40 | 202.3 | 8.9 | 245.9 | 10.9 | 286.9 | 12.9 | 343.2 | 15.8 | 380.4 | 17.7 | 384.6 | 18.4 |
| | 45 | 202.3 | 9.1 | 245.9 | 11.2 | 286.9 | 13.2 | 343.2 | 16.1 | 379.4 | 18.1 | 382.3 | 18.7 |
| | 50 | 202.3 | 9.4 | 245.9 | 11.5 | 286.9 | 13.6 | 343.2 | 16.6 | 375.4 | 18.4 | 380.7 | 19.1 |
| | 55 | 202.3 | 9.6 | 245.9 | 11.8 | 286.9 | 13.9 | 343.2 | 17.0 | 374.5 | 18.8 | 379.8 | 19.6 |
| | 60 | 202.3 | 9.9 | 245.9 | 12.1 | 286.9 | 14.3 | 343.2 | 17.5 | 375.4 | 19.4 | 379.4 | 20.1 |
| | 65 | 202.3 | 10.1 | 245.9 | 12.5 | 286.9 | 14.7 | 343.2 | 18.0 | 372.1 | 19.8 | 379.2 | 20.6 |
| | 70 | 202.3 | 11.0 | 245.9 | 13.6 | 286.9 | 16.0 | 343.2 | 19.5 | 371.8 | 21.5 | 378.9 | 22.4 |
| | 75 | 202.3 | 12.1 | 245.9 | 14.9 | 286.9 | 17.6 | 340.2 | 21.2 | 371.0 | 23.5 | 378.1 | 24.5 |
| | 80 | 202.3 | 13.3 | 245.9 | 16.4 | 286.9 | 19.3 | 338.7 | 23.2 | 369.1 | 25.7 | 376.2 | 26.8 |
| | 85 | 202.3 | 14.6 | 245.9 | 17.9 | 286.9 | 21.2 | 336.4 | 25.3 | 365.5 | 27.9 | 372.6 | 29.1 |
| | 90 | 202.3 | 16.0 | 245.9 | 19.7 | 286.9 | 23.2 | 332.9 | 27.3 | 359.6 | 30.0 | 366.5 | 31.3 |
| | 95 | 202.3 | 17.5 | 245.9 | 21.5 | 286.9 | 25.4 | 320.2 | 28.6 | 331.7 | 30.2 | 336.9 | 31.5 |
| 100 | 202.3 | 19.0 | 245.9 | 23.3 | 280.6 | 26.9 | 313.7 | 30.4 | 318.1 | 31.5 | 324.2 | 32.9 | |
| 105 | 202.3 | 20.5 | 245.9 | 25.2 | 271.2 | 27.9 | 292.0 | 30.5 | 300.7 | 32.1 | 306.5 | 33.5 | |
| 110 | 202.3 | 21.9 | 234.5 | 25.6 | 259.3 | 28.4 | 269.5 | 30.1 | 277.5 | 31.7 | 282.8 | 33.1 | |
| 115 | 195.0 | 22.3 | 221.2 | 25.3 | 231.3 | 26.8 | 240.2 | 28.3 | 247.3 | 29.8 | 252.1 | 31.1 | |
| 118 | 185.2 | 21.6 | 203.4 | 23.9 | 210.4 | 25.0 | 218.6 | 26.5 | 225.0 | 27.9 | 229.4 | 29.1 | |
| 125 | 139.5 | 16.8 | 145.6 | 17.8 | 150.7 | 18.6 | 156.5 | 19.7 | 161.1 | 20.7 | 164.2 | 21.6 | |
| 120% | -10 | 186.8 | 6.5 | 227.0 | 8.0 | 264.8 | 9.4 | 316.8 | 11.5 | 371.2 | 13.8 | 423.2 | 16.1 |
| | -5 | 186.8 | 6.9 | 227.0 | 8.5 | 264.8 | 10.0 | 316.8 | 12.2 | 371.2 | 14.6 | 418.0 | 16.9 |
| | 10 | 186.8 | 7.1 | 227.0 | 8.7 | 264.8 | 10.2 | 316.8 | 12.5 | 371.2 | 15.0 | 414.3 | 17.1 |
| | 15 | 186.8 | 7.2 | 227.0 | 8.9 | 264.8 | 10.5 | 316.8 | 12.8 | 371.2 | 15.3 | 410.2 | 17.2 |
| | 20 | 186.8 | 7.4 | 227.0 | 9.1 | 264.8 | 10.7 | 316.8 | 13.0 | 371.2 | 15.6 | 406.1 | 17.4 |
| | 25 | 186.8 | 7.5 | 227.0 | 9.3 | 264.8 | 10.9 | 316.8 | 13.3 | 371.2 | 16.0 | 401.8 | 17.6 |
| | 30 | 186.8 | 7.7 | 227.0 | 9.5 | 264.8 | 11.2 | 316.8 | 13.6 | 366.9 | 16.1 | 392.4 | 17.6 |
| | 35 | 186.8 | 7.9 | 227.0 | 9.7 | 264.8 | 11.5 | 316.8 | 14.0 | 363.0 | 16.3 | 383.2 | 17.6 |
| | 40 | 186.8 | 8.1 | 227.0 | 9.9 | 264.8 | 11.7 | 316.8 | 14.3 | 360.5 | 16.6 | 377.3 | 17.7 |
| | 45 | 186.8 | 8.3 | 227.0 | 10.2 | 264.8 | 12.0 | 316.8 | 14.7 | 359.5 | 17.0 | 375.1 | 18.1 |
| | 50 | 186.8 | 8.5 | 227.0 | 10.5 | 264.8 | 12.4 | 316.8 | 15.1 | 358.7 | 17.4 | 373.5 | 18.5 |
| | 55 | 186.8 | 8.7 | 227.0 | 10.7 | 264.8 | 12.7 | 316.8 | 15.5 | 358.1 | 17.8 | 372.6 | 18.9 |
| | 60 | 186.8 | 9.0 | 227.0 | 11.0 | 264.8 | 13.0 | 316.8 | 15.9 | 358.2 | 18.3 | 372.2 | 19.4 |
| | 65 | 186.8 | 9.2 | 227.0 | 11.3 | 264.8 | 13.4 | 316.8 | 16.3 | 356.6 | 18.7 | 372.0 | 19.9 |
| | 70 | 186.8 | 10.0 | 227.0 | 12.3 | 264.8 | 14.6 | 316.8 | 17.7 | 355.9 | 20.3 | 371.8 | 21.7 |
| | 75 | 186.8 | 11.0 | 227.0 | 13.5 | 264.8 | 16.0 | 316.8 | 19.5 | 355.0 | 22.2 | 371.0 | 23.7 |
| | 80 | 186.8 | 12.1 | 227.0 | 14.9 | 264.8 | 17.5 | 316.8 | 21.4 | 353.5 | 24.3 | 369.1 | 25.9 |
| | 85 | 186.8 | 13.3 | 227.0 | 16.3 | 264.8 | 19.3 | 316.8 | 23.5 | 351.2 | 26.4 | 365.5 | 28.1 |
| | 90 | 186.8 | 14.5 | 227.0 | 17.9 | 264.8 | 21.1 | 316.8 | 25.7 | 347.8 | 28.6 | 359.6 | 30.3 |
| | 95 | 186.8 | 15.9 | 227.0 | 19.5 | 264.8 | 23.0 | 305.8 | 27.0 | 331.7 | 29.8 | 336.9 | 31.0 |
| 100 | 186.8 | 17.3 | 227.0 | 21.2 | 264.8 | 25.0 | 299.3 | 28.6 | 318.1 | 31.0 | 324.2 | 32.4 | |
| 105 | 186.8 | 18.6 | 227.0 | 22.9 | 259.2 | 26.4 | 290.0 | 29.8 | 300.7 | 31.6 | 306.5 | 33.0 | |
| 110 | 186.8 | 19.9 | 224.2 | 24.2 | 247.2 | 26.8 | 269.5 | 29.6 | 277.5 | 31.2 | 282.8 | 32.6 | |
| 115 | 186.8 | 21.1 | 210.9 | 23.9 | 231.3 | 26.4 | 240.2 | 27.9 | 247.3 | 29.4 | 252.1 | 30.7 | |
| 118 | 176.8 | 20.4 | 202.0 | 23.4 | 210.4 | 24.6 | 218.6 | 26.1 | 225.0 | 27.5 | 229.4 | 28.7 | |
| 125 | 139.5 | 16.6 | 145.6 | 17.5 | 150.7 | 18.3 | 156.5 | 19.4 | 161.1 | 20.4 | 164.2 | 21.3 | |

NOTE - Power Input = Compressor + Outdoor Fan Motor.
 MBH = 1000 BTUs per hour.

COOLING CAPACITY - THREE MODULE | VRB264L4

| Combination (%) | Outdoor Temperature °F (Dry Bulb) | Indoor Temperature - °F (Dry Bulb / Wet Bulb) | | | | | | | | | | | |
|-----------------|-----------------------------------|---|-------------|------------|-------------|------------|-------------|--------------|-------------|------------|-------------|------------|-------------|
| | | 67 / 57 | | 71 / 60 | | 75 / 63 | | 80 / 67 | | 85 / 71 | | 90 / 75 | |
| | | Total Cap. | Power Input | Total Cap. | Power Input | Total Cap. | Power Input | Total Cap. | Power Input | Total Cap. | Power Input | Total Cap. | Power Input |
| | | MBH | kW | MBH | kW | MBH | kW | MBH | kW | MBH | kW | MBH | kW |
| 110% | -10 | 171.2 | 5.9 | 208.0 | 7.2 | 242.7 | 8.5 | 290.4 | 10.4 | 340.2 | 12.4 | 387.9 | 14.5 |
| | -5 | 171.2 | 6.2 | 208.0 | 7.7 | 242.7 | 9.0 | 290.4 | 11.0 | 340.2 | 13.2 | 387.9 | 15.4 |
| | 10 | 171.2 | 6.4 | 208.0 | 7.8 | 242.7 | 9.2 | 290.4 | 11.3 | 340.2 | 13.5 | 387.9 | 15.8 |
| | 15 | 171.2 | 6.5 | 208.0 | 8.0 | 242.7 | 9.4 | 290.4 | 11.5 | 340.2 | 13.8 | 387.8 | 16.1 |
| | 20 | 171.2 | 6.7 | 208.0 | 8.2 | 242.7 | 9.7 | 290.4 | 11.8 | 340.2 | 14.1 | 383.8 | 16.3 |
| | 25 | 171.2 | 6.8 | 208.0 | 8.4 | 242.7 | 9.9 | 290.4 | 12.0 | 340.2 | 14.4 | 379.5 | 16.4 |
| | 30 | 171.2 | 7.0 | 208.0 | 8.6 | 242.7 | 10.1 | 290.4 | 12.3 | 340.2 | 14.8 | 375.4 | 16.6 |
| | 35 | 171.2 | 7.1 | 208.0 | 8.8 | 242.7 | 10.3 | 290.4 | 12.6 | 340.2 | 15.1 | 371.5 | 16.8 |
| | 40 | 171.2 | 7.3 | 208.0 | 9.0 | 242.7 | 10.6 | 290.4 | 12.9 | 340.2 | 15.5 | 368.9 | 17.1 |
| | 45 | 171.2 | 7.5 | 208.0 | 9.2 | 242.7 | 10.9 | 290.4 | 13.2 | 340.2 | 15.9 | 367.9 | 17.5 |
| | 50 | 171.2 | 7.7 | 208.0 | 9.4 | 242.7 | 11.1 | 290.4 | 13.6 | 340.2 | 16.3 | 366.3 | 17.8 |
| | 55 | 171.2 | 7.9 | 208.0 | 9.7 | 242.7 | 11.4 | 290.4 | 13.9 | 340.2 | 16.7 | 365.5 | 18.3 |
| | 60 | 171.2 | 8.1 | 208.0 | 10.0 | 242.7 | 11.8 | 290.4 | 14.3 | 338.2 | 17.0 | 365.1 | 18.7 |
| | 65 | 171.2 | 8.3 | 208.0 | 10.2 | 242.7 | 12.1 | 290.4 | 14.7 | 336.7 | 17.4 | 364.9 | 19.2 |
| | 70 | 171.2 | 9.1 | 208.0 | 11.1 | 242.7 | 13.1 | 290.4 | 16.0 | 336.1 | 18.9 | 364.6 | 20.9 |
| | 75 | 171.2 | 9.9 | 208.0 | 12.2 | 242.7 | 14.4 | 290.4 | 17.6 | 335.2 | 20.7 | 363.8 | 22.9 |
| | 80 | 171.2 | 10.9 | 208.0 | 13.4 | 242.7 | 15.8 | 290.4 | 19.3 | 333.7 | 22.6 | 362.0 | 25.0 |
| | 85 | 171.2 | 12.0 | 208.0 | 14.7 | 242.7 | 17.4 | 290.4 | 21.2 | 331.4 | 24.6 | 358.5 | 27.2 |
| | 90 | 171.2 | 13.1 | 208.0 | 16.1 | 242.7 | 19.0 | 290.4 | 23.2 | 328.1 | 26.7 | 352.7 | 29.2 |
| | 95 | 171.2 | 14.3 | 208.0 | 17.6 | 242.7 | 20.8 | 290.4 | 25.4 | 320.9 | 28.4 | 336.9 | 30.5 |
| 100 | 171.2 | 15.6 | 208.0 | 19.1 | 242.7 | 22.6 | 286.9 | 27.2 | 314.5 | 30.2 | 324.2 | 31.9 | |
| 105 | 171.2 | 16.8 | 208.0 | 20.7 | 242.7 | 24.4 | 275.6 | 28.1 | 300.7 | 31.1 | 306.5 | 32.5 | |
| 110 | 171.2 | 18.0 | 208.0 | 22.1 | 235.2 | 25.2 | 265.2 | 28.8 | 277.5 | 30.7 | 282.8 | 32.1 | |
| 115 | 171.2 | 19.0 | 200.6 | 22.5 | 222.5 | 25.1 | 240.2 | 27.5 | 247.3 | 28.9 | 252.1 | 30.2 | |
| 118 | 168.3 | 19.2 | 191.7 | 22.0 | 210.4 | 24.3 | 218.6 | 25.7 | 225.0 | 27.0 | 229.4 | 28.2 | |
| 125 | 139.5 | 16.3 | 145.6 | 17.2 | 150.7 | 18.0 | 156.5 | 19.1 | 161.1 | 20.1 | 164.2 | 21.0 | |
| 100% | -10 | 155.6 | 5.3 | 189.1 | 6.5 | 220.7 | 7.6 | 264.0 | 9.3 | 309.3 | 11.1 | 352.7 | 13.0 |
| | -5 | 155.6 | 5.6 | 189.1 | 6.9 | 220.7 | 8.1 | 264.0 | 9.9 | 309.3 | 11.8 | 352.7 | 13.8 |
| | 10 | 155.6 | 5.7 | 189.1 | 7.0 | 220.7 | 8.3 | 264.0 | 10.1 | 309.3 | 12.1 | 352.7 | 14.1 |
| | 15 | 155.6 | 5.8 | 189.1 | 7.2 | 220.7 | 8.5 | 264.0 | 10.3 | 309.3 | 12.4 | 352.7 | 14.4 |
| | 20 | 155.6 | 6.0 | 189.1 | 7.3 | 220.7 | 8.6 | 264.0 | 10.5 | 309.3 | 12.6 | 352.5 | 14.7 |
| | 25 | 155.6 | 6.1 | 189.1 | 7.5 | 220.7 | 8.8 | 264.0 | 10.8 | 309.3 | 12.9 | 350.8 | 15.0 |
| | 30 | 155.6 | 6.2 | 189.1 | 7.7 | 220.7 | 9.1 | 264.0 | 11.0 | 309.3 | 13.2 | 349.3 | 15.3 |
| | 35 | 155.6 | 6.4 | 189.1 | 7.8 | 220.7 | 9.3 | 264.0 | 11.3 | 309.3 | 13.5 | 347.8 | 15.6 |
| | 40 | 155.6 | 6.5 | 189.1 | 8.0 | 220.7 | 9.5 | 264.0 | 11.6 | 309.3 | 13.9 | 346.6 | 15.9 |
| | 45 | 155.6 | 6.7 | 189.1 | 8.2 | 220.7 | 9.7 | 264.0 | 11.9 | 309.3 | 14.2 | 345.6 | 16.2 |
| | 50 | 155.6 | 6.9 | 189.1 | 8.5 | 220.7 | 10.0 | 264.0 | 12.2 | 309.3 | 14.6 | 344.9 | 16.6 |
| | 55 | 155.6 | 7.1 | 189.1 | 8.7 | 220.7 | 10.2 | 264.0 | 12.5 | 309.3 | 15.0 | 344.3 | 17.0 |
| | 60 | 155.6 | 7.3 | 189.1 | 8.9 | 220.7 | 10.5 | 264.0 | 12.8 | 309.3 | 15.4 | 343.9 | 17.4 |
| | 65 | 155.6 | 7.5 | 189.1 | 9.2 | 220.7 | 10.8 | 264.0 | 13.2 | 309.3 | 15.8 | 343.4 | 17.9 |
| | 70 | 155.6 | 8.1 | 189.1 | 10.0 | 220.7 | 11.8 | 264.0 | 14.3 | 309.3 | 17.2 | 342.8 | 19.4 |
| | 75 | 155.6 | 8.9 | 189.1 | 10.9 | 220.7 | 12.9 | 264.0 | 15.7 | 309.3 | 18.9 | 341.8 | 21.3 |
| | 80 | 155.6 | 9.8 | 189.1 | 12.0 | 220.7 | 14.2 | 264.0 | 17.3 | 309.3 | 20.7 | 340.3 | 23.2 |
| | 85 | 155.6 | 10.7 | 189.1 | 13.2 | 220.7 | 15.6 | 264.0 | 19.0 | 309.3 | 22.7 | 338.1 | 25.3 |
| | 90 | 155.6 | 11.7 | 189.1 | 14.4 | 220.7 | 17.1 | 264.0 | 20.8 | 308.5 | 24.8 | 334.8 | 27.4 |
| | 95 | 155.6 | 12.8 | 189.1 | 15.8 | 220.7 | 18.6 | 264.0 | 22.7 | 303.9 | 26.7 | 330.1 | 29.5 |
| 100 | 155.6 | 13.9 | 189.1 | 17.1 | 220.7 | 20.2 | 264.0 | 24.7 | 297.6 | 28.3 | 323.8 | 31.4 | |
| 105 | 155.6 | 15.1 | 189.1 | 18.5 | 220.7 | 21.9 | 261.2 | 26.3 | 289.4 | 29.6 | 306.5 | 32.0 | |
| 110 | 155.6 | 16.1 | 189.1 | 19.8 | 220.7 | 23.4 | 250.8 | 26.9 | 277.5 | 30.3 | 282.8 | 31.6 | |
| 115 | 155.6 | 17.1 | 189.1 | 21.0 | 210.5 | 23.5 | 237.6 | 26.8 | 247.3 | 28.5 | 252.1 | 29.7 | |
| 118 | 155.6 | 17.5 | 181.3 | 20.6 | 201.2 | 22.9 | 218.6 | 25.3 | 225.0 | 26.6 | 229.4 | 27.8 | |
| 125 | 135.7 | 15.7 | 145.6 | 17.0 | 150.7 | 17.8 | 156.5 | 18.8 | 161.1 | 19.8 | 164.2 | 20.7 | |

NOTE - Power Input = Compressor + Outdoor Fan Motor.
 MBH = 1000 BTUs per hour.

COOLING CAPACITY - THREE MODULE | VRB264L4

| Combination (%) | Outdoor Temperature °F (Dry Bulb) | Indoor Temperature - °F (Dry Bulb / Wet Bulb) | | | | | | | | | | | |
|-----------------|-----------------------------------|---|-------------|------------|-------------|------------|-------------|------------|-------------|------------|-------------|------------|-------------|
| | | 67 / 57 | | 71 / 60 | | 75 / 63 | | 80 / 67 | | 85 / 71 | | 90 / 75 | |
| | | Total Cap. | Power Input | Total Cap. | Power Input | Total Cap. | Power Input | Total Cap. | Power Input | Total Cap. | Power Input | Total Cap. | Power Input |
| | | MBH | KW | MBH | KW | MBH | KW | MBH | KW | MBH | KW | MBH | KW |
| 90% | -10 | 140.1 | 4.7 | 170.2 | 5.7 | 198.6 | 6.8 | 237.6 | 8.2 | 278.4 | 9.9 | 317.4 | 11.5 |
| | -5 | 140.1 | 5.0 | 170.2 | 6.1 | 198.6 | 7.2 | 237.6 | 8.8 | 278.4 | 10.5 | 317.4 | 12.3 |
| | 10 | 140.1 | 5.1 | 170.2 | 6.2 | 198.6 | 7.3 | 237.6 | 8.9 | 278.4 | 10.7 | 317.4 | 12.5 |
| | 15 | 140.1 | 5.2 | 170.2 | 6.4 | 198.6 | 7.5 | 237.6 | 9.1 | 278.4 | 11.0 | 317.4 | 12.8 |
| | 20 | 140.1 | 5.3 | 170.2 | 6.5 | 198.6 | 7.7 | 237.6 | 9.3 | 278.4 | 11.2 | 317.4 | 13.1 |
| | 25 | 140.1 | 5.4 | 170.2 | 6.6 | 198.6 | 7.8 | 237.6 | 9.6 | 278.4 | 11.4 | 317.4 | 13.4 |
| | 30 | 140.1 | 5.5 | 170.2 | 6.8 | 198.6 | 8.0 | 237.6 | 9.8 | 278.4 | 11.7 | 317.4 | 13.7 |
| | 35 | 140.1 | 5.7 | 170.2 | 7.0 | 198.6 | 8.2 | 237.6 | 10.0 | 278.4 | 12.0 | 317.4 | 14.0 |
| | 40 | 140.1 | 5.8 | 170.2 | 7.1 | 198.6 | 8.4 | 237.6 | 10.3 | 278.4 | 12.3 | 317.4 | 14.4 |
| | 45 | 140.1 | 5.9 | 170.2 | 7.3 | 198.6 | 8.6 | 237.6 | 10.5 | 278.4 | 12.6 | 317.4 | 14.7 |
| | 50 | 140.1 | 6.1 | 170.2 | 7.5 | 198.6 | 8.9 | 237.6 | 10.8 | 278.4 | 12.9 | 317.4 | 15.1 |
| | 55 | 140.1 | 6.3 | 170.2 | 7.7 | 198.6 | 9.1 | 237.6 | 11.1 | 278.4 | 13.3 | 317.4 | 15.5 |
| | 60 | 140.1 | 6.4 | 170.2 | 7.9 | 198.6 | 9.3 | 237.6 | 11.4 | 278.4 | 13.6 | 317.4 | 15.9 |
| | 65 | 140.1 | 6.6 | 170.2 | 8.1 | 198.6 | 9.6 | 237.6 | 11.7 | 278.4 | 14.0 | 317.4 | 16.4 |
| | 70 | 140.1 | 7.2 | 170.2 | 8.8 | 198.6 | 10.4 | 237.6 | 12.7 | 278.4 | 15.2 | 317.4 | 17.8 |
| | 75 | 140.1 | 7.9 | 170.2 | 9.7 | 198.6 | 11.5 | 237.6 | 14.0 | 278.4 | 16.7 | 317.4 | 19.5 |
| | 80 | 140.1 | 8.7 | 170.2 | 10.7 | 198.6 | 12.6 | 237.6 | 15.3 | 278.4 | 18.4 | 317.4 | 21.4 |
| | 85 | 140.1 | 9.5 | 170.2 | 11.7 | 198.6 | 13.8 | 237.6 | 16.8 | 278.4 | 20.1 | 315.9 | 23.4 |
| | 90 | 140.1 | 10.4 | 170.2 | 12.8 | 198.6 | 15.1 | 237.6 | 18.4 | 278.4 | 22.1 | 312.7 | 25.4 |
| | 95 | 140.1 | 11.4 | 170.2 | 14.0 | 198.6 | 16.5 | 237.6 | 20.1 | 278.4 | 24.1 | 310.9 | 27.5 |
| | 100 | 140.1 | 12.4 | 170.2 | 15.2 | 198.6 | 18.0 | 237.6 | 21.9 | 278.2 | 26.2 | 304.5 | 29.2 |
| 105 | 140.1 | 13.4 | 170.2 | 16.4 | 198.6 | 19.4 | 237.6 | 23.6 | 272.5 | 27.6 | 296.1 | 30.6 | |
| 110 | 140.1 | 14.3 | 170.2 | 17.6 | 198.6 | 20.7 | 236.4 | 25.1 | 261.8 | 28.3 | 282.8 | 31.1 | |
| 115 | 140.1 | 15.1 | 170.2 | 18.6 | 198.4 | 21.9 | 223.2 | 24.9 | 247.3 | 28.1 | 252.1 | 29.3 | |
| 118 | 140.1 | 15.5 | 170.2 | 19.1 | 189.2 | 21.4 | 213.6 | 24.4 | 225.0 | 26.2 | 229.4 | 27.4 | |
| 125 | 127.2 | 14.6 | 145.6 | 16.7 | 150.7 | 17.5 | 156.5 | 18.5 | 161.1 | 19.5 | 164.2 | 20.4 | |
| 80% | -10 | 124.5 | 4.1 | 151.3 | 5.0 | 176.5 | 5.9 | 211.2 | 7.2 | 247.5 | 8.6 | 282.1 | 10.1 |
| | -5 | 124.5 | 4.3 | 151.3 | 5.3 | 176.5 | 6.3 | 211.2 | 7.7 | 247.5 | 9.2 | 282.1 | 10.7 |
| | 10 | 124.5 | 4.4 | 151.3 | 5.4 | 176.5 | 6.4 | 211.2 | 7.8 | 247.5 | 9.4 | 282.1 | 11.0 |
| | 15 | 124.5 | 4.5 | 151.3 | 5.6 | 176.5 | 6.6 | 211.2 | 8.0 | 247.5 | 9.6 | 282.1 | 11.2 |
| | 20 | 124.5 | 4.6 | 151.3 | 5.7 | 176.5 | 6.7 | 211.2 | 8.2 | 247.5 | 9.8 | 282.1 | 11.4 |
| | 25 | 124.5 | 4.7 | 151.3 | 5.8 | 176.5 | 6.9 | 211.2 | 8.4 | 247.5 | 10.0 | 282.1 | 11.7 |
| | 30 | 124.5 | 4.8 | 151.3 | 6.0 | 176.5 | 7.0 | 211.2 | 8.6 | 247.5 | 10.3 | 282.1 | 12.0 |
| | 35 | 124.5 | 5.0 | 151.3 | 6.1 | 176.5 | 7.2 | 211.2 | 8.8 | 247.5 | 10.5 | 282.1 | 12.3 |
| | 40 | 124.5 | 5.1 | 151.3 | 6.2 | 176.5 | 7.4 | 211.2 | 9.0 | 247.5 | 10.8 | 282.1 | 12.6 |
| | 45 | 124.5 | 5.2 | 151.3 | 6.4 | 176.5 | 7.6 | 211.2 | 9.2 | 247.5 | 11.0 | 282.1 | 12.9 |
| | 50 | 124.5 | 5.3 | 151.3 | 6.6 | 176.5 | 7.8 | 211.2 | 9.5 | 247.5 | 11.3 | 282.1 | 13.2 |
| | 55 | 124.5 | 5.5 | 151.3 | 6.7 | 176.5 | 8.0 | 211.2 | 9.7 | 247.5 | 11.6 | 282.1 | 13.6 |
| | 60 | 124.5 | 5.6 | 151.3 | 6.9 | 176.5 | 8.2 | 211.2 | 10.0 | 247.5 | 11.9 | 282.1 | 13.9 |
| | 65 | 124.5 | 5.8 | 151.3 | 7.1 | 176.5 | 8.4 | 211.2 | 10.2 | 247.5 | 12.3 | 282.1 | 14.3 |
| | 70 | 124.5 | 6.3 | 151.3 | 7.7 | 176.5 | 9.1 | 211.2 | 11.1 | 247.5 | 13.3 | 282.1 | 15.6 |
| | 75 | 124.5 | 6.9 | 151.3 | 8.5 | 176.5 | 10.0 | 211.2 | 12.2 | 247.5 | 14.6 | 282.1 | 17.1 |
| | 80 | 124.5 | 7.6 | 151.3 | 9.3 | 176.5 | 11.0 | 211.2 | 13.4 | 247.5 | 16.1 | 282.1 | 18.8 |
| | 85 | 124.5 | 8.3 | 151.3 | 10.2 | 176.5 | 12.1 | 211.2 | 14.7 | 247.5 | 17.7 | 282.1 | 20.6 |
| | 90 | 124.5 | 9.1 | 151.3 | 11.2 | 176.5 | 13.2 | 211.2 | 16.1 | 247.5 | 19.3 | 282.1 | 22.6 |
| | 95 | 124.5 | 10.0 | 151.3 | 12.3 | 176.5 | 14.5 | 211.2 | 17.6 | 247.5 | 21.1 | 282.1 | 24.7 |
| | 100 | 124.5 | 10.8 | 151.3 | 13.3 | 176.5 | 15.7 | 211.2 | 19.2 | 247.5 | 23.0 | 282.1 | 26.8 |
| 105 | 124.5 | 11.7 | 151.3 | 14.4 | 176.5 | 17.0 | 211.2 | 20.7 | 247.5 | 24.8 | 276.8 | 28.3 | |
| 110 | 124.5 | 12.5 | 151.3 | 15.4 | 176.5 | 18.2 | 211.2 | 22.1 | 244.9 | 26.2 | 265.9 | 29.0 | |
| 115 | 124.5 | 13.2 | 151.3 | 16.3 | 176.5 | 19.2 | 208.8 | 23.1 | 231.3 | 26.0 | 252.1 | 28.9 | |
| 118 | 124.5 | 13.6 | 151.3 | 16.7 | 176.5 | 19.8 | 199.2 | 22.6 | 221.5 | 25.5 | 229.4 | 27.0 | |
| 125 | 118.7 | 13.5 | 135.6 | 15.4 | 150.7 | 17.3 | 156.5 | 18.3 | 161.1 | 19.2 | 164.2 | 20.1 | |

NOTE - Power Input = Compressor + Outdoor Fan Motor.
 MBH = 1000 BTUs per hour.

COOLING CAPACITY - THREE MODULE | VRB264L4

| Combination (%) | Outdoor Temperature °F (Dry Bulb) | Indoor Temperature - °F (Dry Bulb / Wet Bulb) | | | | | | | | | | | |
|-----------------|-----------------------------------|---|-------------|------------|-------------|------------|-------------|------------|-------------|------------|-------------|------------|-------------|
| | | 67 / 57 | | 71 / 60 | | 75 / 63 | | 80 / 67 | | 85 / 71 | | 90 / 75 | |
| | | Total Cap. | Power Input | Total Cap. | Power Input | Total Cap. | Power Input | Total Cap. | Power Input | Total Cap. | Power Input | Total Cap. | Power Input |
| | | MBH | kW | MBH | kW | MBH | kW | MBH | kW | MBH | kW | MBH | kW |
| 70% | -10 | 108.9 | 3.5 | 132.4 | 4.3 | 154.5 | 5.1 | 184.8 | 6.2 | 216.5 | 7.5 | 246.9 | 8.7 |
| | -5 | 108.9 | 3.7 | 132.4 | 4.6 | 154.5 | 5.4 | 184.8 | 6.6 | 216.5 | 7.9 | 246.9 | 9.3 |
| | 10 | 108.9 | 3.8 | 132.4 | 4.7 | 154.5 | 5.5 | 184.8 | 6.8 | 216.5 | 8.1 | 246.9 | 9.5 |
| | 15 | 108.9 | 3.9 | 132.4 | 4.8 | 154.5 | 5.7 | 184.8 | 6.9 | 216.5 | 8.3 | 246.9 | 9.7 |
| | 20 | 108.9 | 4.0 | 132.4 | 4.9 | 154.5 | 5.8 | 184.8 | 7.1 | 216.5 | 8.5 | 246.9 | 9.9 |
| | 25 | 108.9 | 4.1 | 132.4 | 5.0 | 154.5 | 5.9 | 184.8 | 7.2 | 216.5 | 8.6 | 246.9 | 10.1 |
| | 30 | 108.9 | 4.2 | 132.4 | 5.1 | 154.5 | 6.1 | 184.8 | 7.4 | 216.5 | 8.9 | 246.9 | 10.3 |
| | 35 | 108.9 | 4.3 | 132.4 | 5.3 | 154.5 | 6.2 | 184.8 | 7.6 | 216.5 | 9.1 | 246.9 | 10.6 |
| | 40 | 108.9 | 4.4 | 132.4 | 5.4 | 154.5 | 6.4 | 184.8 | 7.8 | 216.5 | 9.3 | 246.9 | 10.8 |
| | 45 | 108.9 | 4.5 | 132.4 | 5.5 | 154.5 | 6.5 | 184.8 | 7.9 | 216.5 | 9.5 | 246.9 | 11.1 |
| | 50 | 108.9 | 4.6 | 132.4 | 5.7 | 154.5 | 6.7 | 184.8 | 8.2 | 216.5 | 9.8 | 246.9 | 11.4 |
| | 55 | 108.9 | 4.7 | 132.4 | 5.8 | 154.5 | 6.9 | 184.8 | 8.4 | 216.5 | 10.0 | 246.9 | 11.7 |
| | 60 | 108.9 | 4.9 | 132.4 | 6.0 | 154.5 | 7.1 | 184.8 | 8.6 | 216.5 | 10.3 | 246.9 | 12.0 |
| | 65 | 108.9 | 5.0 | 132.4 | 6.1 | 154.5 | 7.2 | 184.8 | 8.8 | 216.5 | 10.6 | 246.9 | 12.4 |
| | 70 | 108.9 | 5.4 | 132.4 | 6.7 | 154.5 | 7.9 | 184.8 | 9.6 | 216.5 | 11.5 | 246.9 | 13.4 |
| | 75 | 108.9 | 6.0 | 132.4 | 7.3 | 154.5 | 8.7 | 184.8 | 10.5 | 216.5 | 12.6 | 246.9 | 14.8 |
| | 80 | 108.9 | 6.5 | 132.4 | 8.0 | 154.5 | 9.5 | 184.8 | 11.6 | 216.5 | 13.9 | 246.9 | 16.2 |
| | 85 | 108.9 | 7.2 | 132.4 | 8.8 | 154.5 | 10.4 | 184.8 | 12.7 | 216.5 | 15.2 | 246.9 | 17.8 |
| | 90 | 108.9 | 7.9 | 132.4 | 9.7 | 154.5 | 11.4 | 184.8 | 13.9 | 216.5 | 16.7 | 246.9 | 19.5 |
| | 95 | 108.9 | 8.6 | 132.4 | 10.6 | 154.5 | 12.5 | 184.8 | 15.2 | 216.5 | 18.2 | 246.9 | 21.3 |
| 100 | 108.9 | 9.3 | 132.4 | 11.5 | 154.5 | 13.6 | 184.8 | 16.5 | 216.5 | 19.8 | 246.9 | 23.1 | |
| 105 | 108.9 | 10.1 | 132.4 | 12.4 | 154.5 | 14.6 | 184.8 | 17.8 | 216.5 | 21.4 | 246.9 | 25.0 | |
| 110 | 108.9 | 10.8 | 132.4 | 13.3 | 154.5 | 15.7 | 184.8 | 19.1 | 216.5 | 22.9 | 246.7 | 26.7 | |
| 115 | 108.9 | 11.4 | 132.4 | 14.0 | 154.5 | 16.6 | 184.8 | 20.2 | 214.5 | 23.9 | 232.9 | 26.5 | |
| 118 | 108.9 | 11.7 | 132.4 | 14.4 | 154.5 | 17.0 | 184.8 | 20.8 | 204.6 | 23.4 | 222.8 | 25.9 | |
| 125 | 107.2 | 12.0 | 125.3 | 14.2 | 139.2 | 15.8 | 156.5 | 18.0 | 161.1 | 18.9 | 164.2 | 19.8 | |
| 60% | -10 | 93.4 | 3.0 | 113.5 | 3.7 | 132.4 | 4.3 | 158.4 | 5.3 | 185.6 | 6.3 | 211.6 | 7.4 |
| | -5 | 93.4 | 3.2 | 113.5 | 3.9 | 132.4 | 4.6 | 158.4 | 5.6 | 185.6 | 6.7 | 211.6 | 7.8 |
| | 10 | 93.4 | 3.2 | 113.5 | 4.0 | 132.4 | 4.7 | 158.4 | 5.7 | 185.6 | 6.8 | 211.6 | 8.0 |
| | 15 | 93.4 | 3.3 | 113.5 | 4.1 | 132.4 | 4.8 | 158.4 | 5.8 | 185.6 | 7.0 | 211.6 | 8.2 |
| | 20 | 93.4 | 3.4 | 113.5 | 4.1 | 132.4 | 4.9 | 158.4 | 6.0 | 185.6 | 7.1 | 211.6 | 8.3 |
| | 25 | 93.4 | 3.4 | 113.5 | 4.2 | 132.4 | 5.0 | 158.4 | 6.1 | 185.6 | 7.3 | 211.6 | 8.5 |
| | 30 | 93.4 | 3.5 | 113.5 | 4.3 | 132.4 | 5.1 | 158.4 | 6.2 | 185.6 | 7.5 | 211.6 | 8.7 |
| | 35 | 93.4 | 3.6 | 113.5 | 4.4 | 132.4 | 5.2 | 158.4 | 6.4 | 185.6 | 7.7 | 211.6 | 8.9 |
| | 40 | 93.4 | 3.7 | 113.5 | 4.6 | 132.4 | 5.4 | 158.4 | 6.5 | 185.6 | 7.8 | 211.6 | 9.2 |
| | 45 | 93.4 | 3.8 | 113.5 | 4.7 | 132.4 | 5.5 | 158.4 | 6.7 | 185.6 | 8.0 | 211.6 | 9.4 |
| | 50 | 93.4 | 3.9 | 113.5 | 4.8 | 132.4 | 5.7 | 158.4 | 6.9 | 185.6 | 8.3 | 211.6 | 9.6 |
| | 55 | 93.4 | 4.0 | 113.5 | 4.9 | 132.4 | 5.8 | 158.4 | 7.1 | 185.6 | 8.5 | 211.6 | 9.9 |
| | 60 | 93.4 | 4.1 | 113.5 | 5.0 | 132.4 | 6.0 | 158.4 | 7.3 | 185.6 | 8.7 | 211.6 | 10.2 |
| | 65 | 93.4 | 4.2 | 113.5 | 5.2 | 132.4 | 6.1 | 158.4 | 7.5 | 185.6 | 8.9 | 211.6 | 10.4 |
| | 70 | 93.4 | 4.6 | 113.5 | 5.6 | 132.4 | 6.7 | 158.4 | 8.1 | 185.6 | 9.7 | 211.6 | 11.4 |
| | 75 | 93.4 | 5.0 | 113.5 | 6.2 | 132.4 | 7.3 | 158.4 | 8.9 | 185.6 | 10.7 | 211.6 | 12.5 |
| | 80 | 93.4 | 5.5 | 113.5 | 6.8 | 132.4 | 8.0 | 158.4 | 9.8 | 185.6 | 11.7 | 211.6 | 13.7 |
| | 85 | 93.4 | 6.1 | 113.5 | 7.5 | 132.4 | 8.8 | 158.4 | 10.7 | 185.6 | 12.9 | 211.6 | 15.0 |
| | 90 | 93.4 | 6.7 | 113.5 | 8.2 | 132.4 | 9.7 | 158.4 | 11.8 | 185.6 | 14.1 | 211.6 | 16.5 |
| | 95 | 93.4 | 7.3 | 113.5 | 8.9 | 132.4 | 10.5 | 158.4 | 12.8 | 185.6 | 15.4 | 211.6 | 18.0 |
| 100 | 93.4 | 7.9 | 113.5 | 9.7 | 132.4 | 11.5 | 158.4 | 14.0 | 185.6 | 16.7 | 211.6 | 19.5 | |
| 105 | 93.4 | 8.5 | 113.5 | 10.5 | 132.4 | 12.4 | 158.4 | 15.1 | 185.6 | 18.1 | 211.6 | 21.1 | |
| 110 | 93.4 | 9.1 | 113.5 | 11.2 | 132.4 | 13.2 | 158.4 | 16.1 | 185.6 | 19.3 | 211.6 | 22.6 | |
| 115 | 93.4 | 9.7 | 113.5 | 11.9 | 132.4 | 14.0 | 158.4 | 17.1 | 185.6 | 20.5 | 211.6 | 23.9 | |
| 118 | 93.4 | 9.9 | 113.5 | 12.2 | 132.4 | 14.4 | 158.4 | 17.6 | 185.6 | 21.0 | 203.6 | 23.5 | |
| 125 | 93.4 | 10.4 | 113.5 | 12.7 | 127.1 | 14.4 | 143.4 | 16.4 | 159.9 | 18.6 | 164.2 | 19.5 | |

NOTE - Power Input = Compressor + Outdoor Fan Motor.
 MBH = 1000 BTUs per hour.

COOLING CAPACITY - THREE MODULE | VRB264L4

| Combination (%) | Outdoor Temperature °F (Dry Bulb) | Indoor Temperature - °F (Dry Bulb / Wet Bulb) | | | | | | | | | | | |
|-----------------|-----------------------------------|---|-------------|------------|-------------|------------|-------------|------------|-------------|------------|-------------|------------|-------------|
| | | 67 / 57 | | 71 / 60 | | 75 / 63 | | 80 / 67 | | 85 / 71 | | 90 / 75 | |
| | | Total Cap. | Power Input | Total Cap. | Power Input | Total Cap. | Power Input | Total Cap. | Power Input | Total Cap. | Power Input | Total Cap. | Power Input |
| | | MBH | kW | MBH | kW | MBH | kW | MBH | kW | MBH | kW | MBH | kW |
| 50% | -10 | 75.1 | 2.3 | 94.6 | 3.0 | 110.3 | 3.5 | 132.0 | 4.3 | 154.7 | 5.2 | 176.3 | 6.0 |
| | -5 | 77.8 | 2.6 | 94.6 | 3.2 | 110.3 | 3.8 | 132.0 | 4.6 | 154.7 | 5.5 | 176.3 | 6.4 |
| | 10 | 77.8 | 2.7 | 94.6 | 3.3 | 110.3 | 3.9 | 132.0 | 4.7 | 154.7 | 5.6 | 176.3 | 6.6 |
| | 15 | 77.8 | 2.7 | 94.6 | 3.3 | 110.3 | 3.9 | 132.0 | 4.8 | 154.7 | 5.7 | 176.3 | 6.7 |
| | 20 | 77.8 | 2.8 | 94.6 | 3.4 | 110.3 | 4.0 | 132.0 | 4.9 | 154.7 | 5.9 | 176.3 | 6.9 |
| | 25 | 77.8 | 2.8 | 94.6 | 3.5 | 110.3 | 4.1 | 132.0 | 5.0 | 154.7 | 6.0 | 176.3 | 7.0 |
| | 30 | 77.8 | 2.9 | 94.6 | 3.6 | 110.3 | 4.2 | 132.0 | 5.1 | 154.7 | 6.1 | 176.3 | 7.2 |
| | 35 | 77.8 | 3.0 | 94.6 | 3.7 | 110.3 | 4.3 | 132.0 | 5.3 | 154.7 | 6.3 | 176.3 | 7.3 |
| | 40 | 77.8 | 3.0 | 94.6 | 3.7 | 110.3 | 4.4 | 132.0 | 5.4 | 154.7 | 6.4 | 176.3 | 7.5 |
| | 45 | 77.8 | 3.1 | 94.6 | 3.8 | 110.3 | 4.5 | 132.0 | 5.5 | 154.7 | 6.6 | 176.3 | 7.7 |
| | 50 | 77.8 | 3.2 | 94.6 | 3.9 | 110.3 | 4.6 | 132.0 | 5.7 | 154.7 | 6.8 | 176.3 | 7.9 |
| | 55 | 77.8 | 3.3 | 94.6 | 4.0 | 110.3 | 4.8 | 132.0 | 5.8 | 154.7 | 7.0 | 176.3 | 8.1 |
| | 60 | 77.8 | 3.4 | 94.6 | 4.1 | 110.3 | 4.9 | 132.0 | 6.0 | 154.7 | 7.1 | 176.3 | 8.3 |
| | 65 | 77.8 | 3.5 | 94.6 | 4.3 | 110.3 | 5.0 | 132.0 | 6.1 | 154.7 | 7.3 | 176.3 | 8.6 |
| | 70 | 77.8 | 3.8 | 94.6 | 4.6 | 110.3 | 5.5 | 132.0 | 6.7 | 154.7 | 8.0 | 176.3 | 9.3 |
| | 75 | 77.8 | 4.1 | 94.6 | 5.1 | 110.3 | 6.0 | 132.0 | 7.3 | 154.7 | 8.8 | 176.3 | 10.2 |
| | 80 | 77.8 | 4.5 | 94.6 | 5.6 | 110.3 | 6.6 | 132.0 | 8.0 | 154.7 | 9.6 | 176.3 | 11.2 |
| | 85 | 77.8 | 5.0 | 94.6 | 6.1 | 110.3 | 7.2 | 132.0 | 8.8 | 154.7 | 10.6 | 176.3 | 12.3 |
| | 90 | 77.8 | 5.5 | 94.6 | 6.7 | 110.3 | 7.9 | 132.0 | 9.7 | 154.7 | 11.6 | 176.3 | 13.5 |
| | 95 | 77.8 | 6.0 | 94.6 | 7.3 | 110.3 | 8.7 | 132.0 | 10.6 | 154.7 | 12.6 | 176.3 | 14.8 |
| 100 | 77.8 | 6.5 | 94.6 | 8.0 | 110.3 | 9.4 | 132.0 | 11.5 | 154.7 | 13.7 | 176.3 | 16.1 | |
| 105 | 77.8 | 7.0 | 94.6 | 8.6 | 110.3 | 10.2 | 132.0 | 12.4 | 154.7 | 14.8 | 176.3 | 17.3 | |
| 110 | 77.8 | 7.5 | 94.6 | 9.2 | 110.3 | 10.9 | 132.0 | 13.3 | 154.7 | 15.9 | 176.3 | 18.5 | |
| 115 | 77.8 | 7.9 | 94.6 | 9.7 | 110.3 | 11.5 | 132.0 | 14.0 | 154.7 | 16.8 | 176.3 | 19.6 | |
| 118 | 77.8 | 8.2 | 94.6 | 10.0 | 110.3 | 11.8 | 132.0 | 14.4 | 154.7 | 17.3 | 176.3 | 20.2 | |
| 125 | 77.8 | 8.5 | 94.6 | 10.5 | 110.3 | 12.3 | 129.0 | 14.7 | 143.1 | 16.5 | 156.0 | 18.3 | |

NOTE - Power Input = Compressor + Outdoor Fan Motor.
 MBH = 1000 BTUs per hour.

HEATING CAPACITY - THREE MODULE | VRB264L4

| Combination (%) | Outdoor Temperature (°F) | | Indoor Temperature - °F Dry Bulb | | | | | | | | | | | |
|-----------------|--------------------------|----------|----------------------------------|----------------|----------------|----------------|----------------|----------------|----------------|----------------|----------------|----------------|----------------|----------------|
| | | | 61 | | 64 | | 67 | | 70 | | 73 | | 75 | |
| | Dry Bulb | Wet Bulb | Total Cap. MBH | Power Input kW | Total Cap. MBH | Power Input kW | Total Cap. MBH | Power Input kW | Total Cap. MBH | Power Input kW | Total Cap. MBH | Power Input kW | Total Cap. MBH | Power Input kW |
| 130% | -22 | -23 | 195.3 | 31.9 | 191.4 | 32.5 | 187.9 | 33.2 | 184.6 | 33.9 | 181.5 | 34.6 | 179.6 | 35.1 |
| | -17 | -18 | 237.9 | 33.6 | 232.8 | 34.3 | 228.4 | 35.0 | 224.0 | 35.8 | 220.1 | 36.6 | 217.7 | 37.2 |
| | -13 | -14 | 275.0 | 35.3 | 270.4 | 36.2 | 266.5 | 37.1 | 262.7 | 38.0 | 259.3 | 39.0 | 257.3 | 39.6 |
| | -8 | -9 | 293.2 | 36.1 | 289.1 | 37.1 | 285.6 | 38.0 | 282.3 | 39.0 | 279.4 | 40.1 | 277.8 | 40.7 |
| | -3 | -4 | 303.5 | 36.7 | 299.8 | 37.7 | 296.6 | 38.6 | 293.6 | 39.6 | 291.0 | 40.7 | 289.6 | 41.4 |
| | 2 | 1 | 313.3 | 37.6 | 309.9 | 38.6 | 307.0 | 39.5 | 304.3 | 40.6 | 301.9 | 41.7 | 300.6 | 42.4 |
| | 7 | 6 | 324.3 | 38.1 | 321.2 | 39.1 | 318.5 | 40.1 | 316.0 | 41.1 | 313.8 | 42.2 | 312.6 | 43.0 |
| | 12 | 10 | 335.6 | 38.6 | 332.6 | 39.6 | 330.1 | 40.6 | 327.7 | 41.7 | 325.7 | 42.8 | 324.5 | 43.5 |
| | 17 | 15 | 352.8 | 39.3 | 350.0 | 40.3 | 347.6 | 41.3 | 345.3 | 42.4 | 343.3 | 43.6 | 342.3 | 43.7 |
| | 22 | 20 | 371.9 | 40.1 | 369.2 | 41.2 | 366.9 | 42.2 | 364.7 | 43.3 | 361.7 | 43.0 | 345.9 | 40.0 |
| | 27 | 24 | 389.9 | 40.9 | 387.3 | 42.0 | 385.0 | 43.0 | 380.0 | 42.7 | 361.7 | 39.2 | 345.9 | 36.3 |
| | 32 | 29 | 412.7 | 42.0 | 410.1 | 43.1 | 403.3 | 42.2 | 386.1 | 39.2 | 361.7 | 35.0 | 345.9 | 32.3 |
| | 37 | 34 | 441.2 | 43.3 | 426.8 | 41.4 | 410.5 | 38.7 | 386.1 | 34.8 | 361.7 | 31.0 | 345.9 | 29.0 |
| | 42 | 38 | 449.5 | 41.3 | 433.5 | 38.8 | 410.5 | 35.3 | 386.1 | 31.6 | 361.7 | 28.7 | 345.9 | 27.1 |
| | 47 | 43 | 457.9 | 38.0 | 433.5 | 34.5 | 410.5 | 31.3 | 386.1 | 28.6 | 361.7 | 26.2 | 345.9 | 24.7 |
| | 52 | 47 | 457.9 | 34.7 | 433.5 | 31.4 | 410.5 | 28.9 | 386.1 | 26.6 | 361.7 | 24.4 | 345.9 | 23.0 |
| | 57 | 52 | 457.9 | 30.8 | 433.5 | 28.4 | 410.5 | 26.4 | 386.1 | 24.3 | 361.7 | 22.2 | 345.9 | 20.9 |
| | 62 | 56 | 457.9 | 28.5 | 433.5 | 26.4 | 410.5 | 24.5 | 386.1 | 22.5 | 361.7 | 20.5 | 345.9 | 19.4 |
| | 67 | 61 | 457.9 | 25.9 | 433.5 | 24.0 | 410.5 | 22.2 | 386.1 | 20.3 | 361.7 | 18.7 | 345.9 | 17.8 |
| | 72 | 66 | 457.9 | 23.5 | 433.5 | 21.6 | 410.5 | 20.0 | 386.1 | 18.4 | 361.7 | 17.1 | 345.9 | 16.2 |
| 75 | 69 | 457.9 | 22.0 | 433.5 | 20.2 | 410.5 | 18.7 | 386.1 | 17.4 | 361.7 | 16.1 | 345.9 | 15.4 | |
| 80 | 74 | 457.9 | 19.8 | 433.5 | 18.2 | 410.5 | 17.0 | 386.1 | 15.9 | 361.7 | 14.8 | 345.9 | 14.1 | |
| 120% | -22 | -23 | 192.6 | 32.2 | 188.8 | 32.8 | 185.5 | 33.5 | 182.3 | 34.2 | 179.4 | 35.0 | 177.6 | 35.5 |
| | -17 | -18 | 233.8 | 34.0 | 229.0 | 34.8 | 224.8 | 35.5 | 220.8 | 36.3 | 217.1 | 37.1 | 214.9 | 37.7 |
| | -13 | -14 | 270.5 | 35.9 | 266.3 | 36.8 | 262.7 | 37.7 | 259.3 | 38.6 | 256.2 | 39.6 | 254.5 | 40.3 |
| | -8 | -9 | 288.8 | 36.8 | 285.1 | 37.8 | 282.0 | 38.7 | 279.1 | 39.7 | 276.6 | 40.8 | 275.1 | 41.5 |
| | -3 | -4 | 299.3 | 37.4 | 296.0 | 38.4 | 293.2 | 39.4 | 290.6 | 40.4 | 288.3 | 41.5 | 287.1 | 42.2 |
| | 2 | 1 | 309.3 | 38.3 | 306.3 | 39.4 | 303.7 | 40.3 | 301.4 | 41.4 | 299.4 | 42.5 | 298.0 | 43.2 |
| | 7 | 6 | 320.6 | 38.9 | 317.8 | 39.9 | 315.4 | 40.9 | 313.2 | 42.0 | 311.4 | 43.2 | 309.9 | 43.8 |
| | 12 | 10 | 331.9 | 39.4 | 329.3 | 40.5 | 327.0 | 41.5 | 324.9 | 42.6 | 323.2 | 43.7 | 319.3 | 42.8 |
| | 17 | 15 | 349.2 | 40.2 | 346.7 | 41.3 | 344.5 | 42.3 | 342.5 | 43.4 | 333.9 | 41.7 | 319.3 | 38.8 |
| | 22 | 20 | 368.3 | 41.1 | 365.9 | 42.2 | 363.8 | 43.3 | 356.4 | 41.7 | 333.9 | 37.4 | 319.3 | 34.7 |
| | 27 | 24 | 386.3 | 42.0 | 388.1 | 43.6 | 378.9 | 42.1 | 356.4 | 38.0 | 333.9 | 34.0 | 319.3 | 31.3 |
| | 32 | 29 | 410.4 | 42.8 | 400.1 | 41.3 | 378.9 | 37.6 | 356.4 | 33.8 | 333.9 | 30.2 | 319.3 | 28.3 |
| | 37 | 34 | 422.6 | 40.3 | 400.1 | 36.7 | 378.9 | 33.3 | 356.4 | 30.0 | 333.9 | 27.5 | 319.3 | 26.0 |
| | 42 | 38 | 422.6 | 36.7 | 400.1 | 33.3 | 378.9 | 30.3 | 356.4 | 27.9 | 333.9 | 25.6 | 319.3 | 24.2 |
| | 47 | 43 | 422.6 | 32.6 | 400.1 | 29.7 | 378.9 | 27.6 | 356.4 | 25.5 | 333.9 | 23.4 | 319.3 | 22.1 |
| | 52 | 47 | 422.6 | 29.8 | 400.1 | 27.6 | 378.9 | 25.7 | 356.4 | 23.7 | 333.9 | 21.8 | 319.3 | 20.6 |
| | 57 | 52 | 422.6 | 27.1 | 400.1 | 25.2 | 378.9 | 23.4 | 356.4 | 21.5 | 333.9 | 19.8 | 319.3 | 18.8 |
| | 62 | 56 | 422.6 | 25.1 | 400.1 | 23.4 | 378.9 | 21.7 | 356.4 | 19.9 | 333.9 | 18.4 | 319.3 | 17.6 |
| | 67 | 61 | 422.6 | 22.8 | 400.1 | 21.1 | 378.9 | 19.6 | 356.4 | 18.1 | 333.9 | 16.9 | 319.3 | 16.1 |
| | 72 | 66 | 422.6 | 20.5 | 400.1 | 19.0 | 378.9 | 17.8 | 356.4 | 16.6 | 333.9 | 15.5 | 319.3 | 14.8 |
| 75 | 69 | 422.6 | 19.2 | 400.1 | 17.8 | 378.9 | 16.8 | 356.4 | 15.7 | 333.9 | 14.6 | 319.3 | 14.0 | |
| 80 | 74 | 422.6 | 17.4 | 400.1 | 16.3 | 378.9 | 15.3 | 356.4 | 14.3 | 333.9 | 13.4 | 319.3 | 12.8 | |

NOTE - Power Input = Compressor + Outdoor Fan Motor.
 MBH = 1000 BTUs per hour.

HEATING CAPACITY - THREE MODULE | VRB264L4

| Combination (%) | Outdoor Temperature (°F) | | Indoor Temperature - °F Dry Bulb | | | | | | | | | | | |
|-----------------|--------------------------|----------|----------------------------------|----------------|----------------|----------------|----------------|----------------|----------------|----------------|----------------|----------------|----------------|----------------|
| | | | 61 | | 64 | | 67 | | 70 | | 73 | | 75 | |
| | Dry Bulb | Wet Bulb | Total Cap. MBH | Power Input kW | Total Cap. MBH | Power Input kW | Total Cap. MBH | Power Input kW | Total Cap. MBH | Power Input kW | Total Cap. MBH | Power Input kW | Total Cap. MBH | Power Input kW |
| 110% | -22 | -23 | 189.6 | 32.5 | 186.0 | 33.2 | 183.0 | 33.9 | 180.0 | 34.6 | 177.2 | 35.4 | 175.5 | 35.9 |
| | -17 | -18 | 229.5 | 34.5 | 225.0 | 35.3 | 221.1 | 36.0 | 217.4 | 36.8 | 214.0 | 37.7 | 212.0 | 38.2 |
| | -13 | -14 | 266.0 | 36.6 | 262.2 | 37.5 | 258.9 | 38.4 | 255.9 | 39.4 | 253.2 | 40.4 | 251.6 | 41.1 |
| | -8 | -9 | 284.4 | 37.6 | 281.2 | 38.6 | 278.4 | 39.6 | 275.9 | 40.6 | 273.8 | 41.7 | 272.6 | 42.4 |
| | -3 | -4 | 295.1 | 38.3 | 292.2 | 39.3 | 289.8 | 40.3 | 287.6 | 41.3 | 285.8 | 42.5 | 283.1 | 42.9 |
| | 2 | 1 | 305.4 | 39.3 | 302.7 | 40.3 | 300.5 | 41.3 | 298.6 | 42.4 | 296.1 | 43.4 | 292.7 | 42.8 |
| | 7 | 6 | 316.8 | 39.9 | 314.3 | 40.9 | 312.3 | 41.9 | 310.5 | 43.1 | 306.1 | 42.6 | 292.7 | 40.0 |
| | 12 | 10 | 328.2 | 40.5 | 325.9 | 41.5 | 324.0 | 42.6 | 326.7 | 44.0 | 306.1 | 39.9 | 292.7 | 37.2 |
| | 17 | 15 | 345.5 | 41.3 | 343.3 | 42.4 | 342.6 | 43.2 | 326.7 | 39.9 | 306.1 | 35.9 | 292.7 | 33.3 |
| | 22 | 20 | 364.7 | 42.3 | 361.5 | 42.4 | 347.3 | 39.6 | 326.7 | 35.8 | 306.1 | 32.0 | 292.7 | 29.7 |
| | 27 | 24 | 380.7 | 42.0 | 366.8 | 39.5 | 347.3 | 36.0 | 326.7 | 32.4 | 306.1 | 29.0 | 292.7 | 27.4 |
| | 32 | 29 | 387.4 | 38.6 | 366.8 | 35.2 | 347.3 | 32.0 | 326.7 | 28.9 | 306.1 | 26.7 | 292.7 | 25.3 |
| | 37 | 34 | 387.4 | 34.2 | 366.8 | 31.1 | 347.3 | 28.6 | 326.7 | 26.5 | 306.1 | 24.4 | 292.7 | 23.1 |
| | 42 | 38 | 387.4 | 31.1 | 366.8 | 28.6 | 347.3 | 26.7 | 326.7 | 24.7 | 306.1 | 22.8 | 292.7 | 21.5 |
| | 47 | 43 | 387.4 | 28.0 | 366.8 | 26.1 | 347.3 | 24.4 | 326.7 | 22.5 | 306.1 | 20.7 | 292.7 | 19.6 |
| | 52 | 47 | 387.4 | 26.1 | 366.8 | 24.3 | 347.3 | 22.6 | 326.7 | 20.9 | 306.1 | 19.3 | 292.7 | 18.4 |
| | 57 | 52 | 387.4 | 23.7 | 366.8 | 22.1 | 347.3 | 20.6 | 326.7 | 19.0 | 306.1 | 17.8 | 292.7 | 17.0 |
| | 62 | 56 | 387.4 | 22.0 | 366.8 | 20.4 | 347.3 | 19.0 | 326.7 | 17.8 | 306.1 | 16.6 | 292.7 | 15.9 |
| | 67 | 61 | 387.4 | 19.8 | 366.8 | 18.4 | 347.3 | 17.4 | 326.7 | 16.3 | 306.1 | 15.3 | 292.7 | 14.6 |
| | 72 | 66 | 387.4 | 17.9 | 366.8 | 16.8 | 347.3 | 15.9 | 326.7 | 14.9 | 306.1 | 13.9 | 292.7 | 13.3 |
| 75 | 69 | 387.4 | 16.9 | 366.8 | 15.9 | 347.3 | 15.0 | 326.7 | 14.1 | 306.1 | 13.2 | 292.7 | 12.6 | |
| 80 | 74 | 387.4 | 15.4 | 366.8 | 14.5 | 347.3 | 13.7 | 326.7 | 12.9 | 306.1 | 12.0 | 292.7 | 11.5 | |
| 100% | -22 | -23 | 186.3 | 33.0 | 183.0 | 33.7 | 180.2 | 34.3 | 177.3 | 35.1 | 174.8 | 35.9 | 173.2 | 36.4 |
| | -17 | -18 | 224.9 | 35.1 | 220.8 | 35.9 | 217.3 | 36.6 | 213.8 | 37.5 | 210.8 | 38.3 | 208.9 | 38.9 |
| | -13 | -14 | 261.3 | 37.5 | 257.9 | 38.4 | 255.1 | 39.3 | 252.5 | 40.3 | 250.2 | 41.3 | 248.9 | 42.0 |
| | -8 | -9 | 280.0 | 38.6 | 277.2 | 39.6 | 274.9 | 40.6 | 272.8 | 41.7 | 273.2 | 43.1 | 266.1 | 42.2 |
| | -3 | -4 | 291.0 | 39.3 | 288.5 | 40.4 | 286.5 | 41.4 | 284.8 | 42.5 | 278.2 | 41.9 | 266.1 | 39.8 |
| | 2 | 1 | 301.5 | 40.4 | 299.3 | 41.5 | 297.5 | 42.5 | 297.0 | 43.3 | 278.2 | 39.8 | 266.1 | 37.4 |
| | 7 | 6 | 313.0 | 41.1 | 311.0 | 42.2 | 312.6 | 43.7 | 297.0 | 40.5 | 278.2 | 36.8 | 266.1 | 34.4 |
| | 12 | 10 | 324.6 | 41.7 | 322.7 | 42.8 | 315.8 | 41.4 | 297.0 | 37.7 | 278.2 | 34.0 | 266.1 | 31.6 |
| | 17 | 15 | 345.3 | 43.0 | 333.4 | 40.8 | 315.8 | 37.4 | 297.0 | 33.8 | 278.2 | 30.3 | 266.1 | 28.2 |
| | 22 | 20 | 352.2 | 40.1 | 333.4 | 36.6 | 315.8 | 33.4 | 297.0 | 30.1 | 278.2 | 27.4 | 266.1 | 26.0 |
| | 27 | 24 | 352.2 | 36.4 | 333.4 | 33.2 | 315.8 | 30.2 | 297.0 | 27.6 | 278.2 | 25.6 | 266.1 | 24.2 |
| | 32 | 29 | 352.2 | 32.3 | 333.4 | 29.5 | 315.8 | 27.4 | 297.0 | 25.4 | 278.2 | 23.5 | 266.1 | 22.3 |
| | 37 | 34 | 352.2 | 28.7 | 333.4 | 26.8 | 315.8 | 25.1 | 297.0 | 23.3 | 278.2 | 21.5 | 266.1 | 20.3 |
| | 42 | 38 | 352.2 | 26.7 | 333.4 | 25.0 | 315.8 | 23.4 | 297.0 | 21.6 | 278.2 | 20.0 | 266.1 | 19.0 |
| | 47 | 43 | 352.2 | 24.4 | 333.4 | 22.8 | 315.8 | 21.3 | 297.0 | 19.7 | 278.2 | 18.4 | 266.1 | 17.6 |
| | 52 | 47 | 352.2 | 22.7 | 333.4 | 21.1 | 315.8 | 19.7 | 297.0 | 18.4 | 278.2 | 17.3 | 266.1 | 16.6 |
| | 57 | 52 | 352.2 | 20.6 | 333.4 | 19.2 | 315.8 | 18.0 | 297.0 | 17.0 | 278.2 | 15.9 | 266.1 | 15.3 |
| | 62 | 56 | 352.2 | 19.0 | 333.4 | 17.9 | 315.8 | 16.9 | 297.0 | 15.9 | 278.2 | 14.9 | 266.1 | 14.3 |
| | 67 | 61 | 352.2 | 17.3 | 333.4 | 16.4 | 315.8 | 15.5 | 297.0 | 14.6 | 278.2 | 13.7 | 266.1 | 13.1 |
| | 72 | 66 | 352.2 | 15.8 | 333.4 | 14.9 | 315.8 | 14.1 | 297.0 | 13.3 | 278.2 | 12.5 | 266.1 | 12.0 |
| 75 | 69 | 352.2 | 14.9 | 333.4 | 14.1 | 315.8 | 13.4 | 297.0 | 12.6 | 278.2 | 11.8 | 266.1 | 11.4 | |
| 80 | 74 | 352.2 | 13.6 | 333.4 | 12.9 | 315.8 | 12.2 | 297.0 | 11.5 | 278.2 | 10.8 | 266.1 | 10.3 | |

NOTE - Power Input = Compressor + Outdoor Fan Motor.
 MBH = 1000 BTUs per hour.

HEATING CAPACITY - THREE MODULE | VRB264L4

| Combination (%) | Outdoor Temperature (°F) | | Indoor Temperature - °F Dry Bulb | | | | | | | | | | | |
|-----------------|--------------------------|----------|----------------------------------|----------------|----------------|----------------|----------------|----------------|----------------|----------------|----------------|----------------|----------------|----------------|
| | | | 61 | | 64 | | 67 | | 70 | | 73 | | 75 | |
| | Dry Bulb | Wet Bulb | Total Cap. MBH | Power Input kW | Total Cap. MBH | Power Input kW | Total Cap. MBH | Power Input kW | Total Cap. MBH | Power Input kW | Total Cap. MBH | Power Input kW | Total Cap. MBH | Power Input kW |
| 90% | -22 | -23 | 182.9 | 33.5 | 179.8 | 34.2 | 177.2 | 34.9 | 174.6 | 35.7 | 172.2 | 36.5 | 170.8 | 37.0 |
| | -17 | -18 | 220.1 | 35.9 | 216.4 | 36.7 | 213.2 | 37.4 | 210.2 | 38.3 | 207.4 | 39.1 | 205.8 | 39.7 |
| | -13 | -14 | 256.5 | 38.5 | 253.7 | 39.5 | 251.3 | 40.4 | 249.1 | 41.4 | 247.2 | 42.4 | 239.5 | 41.3 |
| | -8 | -9 | 275.6 | 39.9 | 273.4 | 40.9 | 271.6 | 41.9 | 267.3 | 42.0 | 250.4 | 39.3 | 239.5 | 37.5 |
| | -3 | -4 | 286.9 | 40.7 | 285.0 | 41.7 | 284.2 | 42.4 | 267.3 | 39.5 | 250.4 | 36.6 | 239.5 | 34.6 |
| | 2 | 1 | 297.7 | 41.8 | 300.1 | 43.3 | 284.2 | 40.4 | 267.3 | 37.3 | 250.4 | 34.1 | 239.5 | 32.0 |
| | 7 | 6 | 313.1 | 43.1 | 300.1 | 40.6 | 284.2 | 37.6 | 267.3 | 34.3 | 250.4 | 31.0 | 239.5 | 29.1 |
| | 12 | 10 | 317.0 | 41.0 | 300.1 | 37.8 | 284.2 | 34.8 | 267.3 | 31.5 | 250.4 | 28.5 | 239.5 | 26.8 |
| | 17 | 15 | 317.0 | 37.1 | 300.1 | 33.9 | 284.2 | 31.0 | 267.3 | 28.1 | 250.4 | 26.0 | 239.5 | 24.7 |
| | 22 | 20 | 317.0 | 33.1 | 300.1 | 30.2 | 284.2 | 27.7 | 267.3 | 25.8 | 250.4 | 24.0 | 239.5 | 22.8 |
| | 27 | 24 | 317.0 | 29.9 | 300.1 | 27.6 | 284.2 | 25.9 | 267.3 | 24.1 | 250.4 | 22.3 | 239.5 | 21.1 |
| | 32 | 29 | 317.0 | 27.1 | 300.1 | 25.3 | 284.2 | 23.7 | 267.3 | 22.1 | 250.4 | 20.4 | 239.5 | 19.4 |
| | 37 | 34 | 317.0 | 24.8 | 300.1 | 23.2 | 284.2 | 21.7 | 267.3 | 20.1 | 250.4 | 18.7 | 239.5 | 18.0 |
| | 42 | 38 | 317.0 | 23.0 | 300.1 | 21.5 | 284.2 | 20.2 | 267.3 | 18.8 | 250.4 | 17.7 | 239.5 | 17.0 |
| | 47 | 43 | 317.0 | 21.0 | 300.1 | 19.6 | 284.2 | 18.4 | 267.3 | 17.4 | 250.4 | 16.4 | 239.5 | 15.7 |
| | 52 | 47 | 317.0 | 19.4 | 300.1 | 18.3 | 284.2 | 17.3 | 267.3 | 16.4 | 250.4 | 15.4 | 239.5 | 14.8 |
| | 57 | 52 | 317.0 | 17.7 | 300.1 | 16.8 | 284.2 | 16.0 | 267.3 | 15.1 | 250.4 | 14.2 | 239.5 | 13.6 |
| | 62 | 56 | 317.0 | 16.6 | 300.1 | 15.8 | 284.2 | 15.0 | 267.3 | 14.1 | 250.4 | 13.3 | 239.5 | 12.8 |
| | 67 | 61 | 317.0 | 15.2 | 300.1 | 14.4 | 284.2 | 13.7 | 267.3 | 12.9 | 250.4 | 12.2 | 239.5 | 11.7 |
| | 72 | 66 | 317.0 | 13.9 | 300.1 | 13.2 | 284.2 | 12.5 | 267.3 | 11.8 | 250.4 | 11.2 | 239.5 | 10.7 |
| 75 | 69 | 317.0 | 13.1 | 300.1 | 12.4 | 284.2 | 11.8 | 267.3 | 11.2 | 250.4 | 10.6 | 239.5 | 10.2 | |
| 80 | 74 | 317.0 | 11.9 | 300.1 | 11.3 | 284.2 | 10.7 | 267.3 | 10.2 | 250.4 | 9.6 | 239.5 | 9.2 | |
| 80% | -22 | -23 | 179.2 | 34.2 | 176.4 | 34.9 | 174.0 | 35.7 | 171.6 | 36.4 | 169.5 | 37.3 | 168.2 | 37.8 |
| | -17 | -18 | 215.0 | 36.8 | 211.7 | 37.6 | 209.0 | 38.4 | 206.3 | 39.3 | 204.0 | 40.2 | 202.6 | 40.8 |
| | -13 | -14 | 251.8 | 39.9 | 249.4 | 40.9 | 248.7 | 42.0 | 237.6 | 40.5 | 222.6 | 38.3 | 212.9 | 36.7 |
| | -8 | -9 | 271.5 | 41.4 | 266.7 | 41.3 | 252.6 | 39.1 | 237.6 | 36.7 | 222.6 | 34.3 | 212.9 | 32.8 |
| | -3 | -4 | 281.8 | 41.3 | 266.7 | 38.9 | 252.6 | 36.5 | 237.6 | 33.9 | 222.6 | 31.3 | 212.9 | 29.7 |
| | 2 | 1 | 281.8 | 39.4 | 266.7 | 36.6 | 252.6 | 34.0 | 237.6 | 31.3 | 222.6 | 28.7 | 212.9 | 27.0 |
| | 7 | 6 | 281.8 | 36.5 | 266.7 | 33.6 | 252.6 | 31.0 | 237.6 | 28.4 | 222.6 | 26.1 | 212.9 | 24.9 |
| | 12 | 10 | 281.8 | 33.7 | 266.7 | 30.9 | 252.6 | 28.5 | 237.6 | 26.3 | 222.6 | 24.5 | 212.9 | 23.3 |
| | 17 | 15 | 281.8 | 30.0 | 266.7 | 27.6 | 252.6 | 25.9 | 237.6 | 24.2 | 222.6 | 22.5 | 212.9 | 21.4 |
| | 22 | 20 | 281.8 | 27.0 | 266.7 | 25.3 | 252.6 | 23.8 | 237.6 | 22.2 | 222.6 | 20.6 | 212.9 | 19.6 |
| | 27 | 24 | 281.8 | 25.1 | 266.7 | 23.6 | 252.6 | 22.2 | 237.6 | 20.6 | 222.6 | 19.2 | 212.9 | 18.3 |
| | 32 | 29 | 281.8 | 23.1 | 266.7 | 21.6 | 252.6 | 20.3 | 237.6 | 18.9 | 222.6 | 17.8 | 212.9 | 17.2 |
| | 37 | 34 | 281.8 | 21.1 | 266.7 | 19.7 | 252.6 | 18.6 | 237.6 | 17.6 | 222.6 | 16.6 | 212.9 | 16.0 |
| | 42 | 38 | 281.8 | 19.6 | 266.7 | 18.4 | 252.6 | 17.5 | 237.6 | 16.6 | 222.6 | 15.7 | 212.9 | 15.1 |
| | 47 | 43 | 281.8 | 17.9 | 266.7 | 17.0 | 252.6 | 16.2 | 237.6 | 15.4 | 222.6 | 14.5 | 212.9 | 14.0 |
| | 52 | 47 | 281.8 | 16.8 | 266.7 | 16.0 | 252.6 | 15.2 | 237.6 | 14.4 | 222.6 | 13.6 | 212.9 | 13.1 |
| | 57 | 52 | 281.8 | 15.5 | 266.7 | 14.7 | 252.6 | 14.0 | 237.6 | 13.3 | 222.6 | 12.5 | 212.9 | 12.1 |
| | 62 | 56 | 281.8 | 14.5 | 266.7 | 13.8 | 252.6 | 13.1 | 237.6 | 12.4 | 222.6 | 11.7 | 212.9 | 11.3 |
| | 67 | 61 | 281.8 | 13.2 | 266.7 | 12.6 | 252.6 | 12.0 | 237.6 | 11.4 | 222.6 | 10.8 | 212.9 | 10.4 |
| | 72 | 66 | 281.8 | 12.1 | 266.7 | 11.5 | 252.6 | 11.0 | 237.6 | 10.4 | 222.6 | 9.9 | 212.9 | 9.6 |
| 75 | 69 | 281.8 | 11.4 | 266.7 | 10.9 | 252.6 | 10.4 | 237.6 | 9.9 | 222.6 | 9.5 | 212.9 | 9.2 | |
| 80 | 74 | 281.8 | 10.3 | 266.7 | 9.8 | 252.6 | 9.4 | 237.6 | 9.0 | 222.6 | 8.6 | 212.9 | 8.4 | |

NOTE - Power Input = Compressor + Outdoor Fan Motor.
 MBH = 1000 BTUs per hour.

HEATING CAPACITY - THREE MODULE | VRB264L4

| Combination (%) | Outdoor Temperature (°F) | | Indoor Temperature - °F Dry Bulb | | | | | | | | | | | |
|-----------------|--------------------------|----------|----------------------------------|----------------|----------------|----------------|----------------|----------------|----------------|----------------|----------------|----------------|----------------|----------------|
| | | | 61 | | 64 | | 67 | | 70 | | 73 | | 75 | |
| | Dry Bulb | Wet Bulb | Total Cap. MBH | Power Input kW | Total Cap. MBH | Power Input kW | Total Cap. MBH | Power Input kW | Total Cap. MBH | Power Input kW | Total Cap. MBH | Power Input kW | Total Cap. MBH | Power Input kW |
| 70% | -22 | -23 | 175.1 | 35.1 | 172.7 | 35.9 | 170.5 | 36.6 | 168.5 | 37.4 | 166.6 | 38.3 | 165.5 | 38.9 |
| | -17 | -18 | 209.6 | 38.0 | 206.9 | 38.9 | 204.6 | 39.7 | 202.4 | 40.6 | 194.8 | 39.9 | 186.3 | 38.7 |
| | -13 | -14 | 246.5 | 41.1 | 233.4 | 39.2 | 221.0 | 37.4 | 207.9 | 35.5 | 194.8 | 33.7 | 186.3 | 32.4 |
| | -8 | -9 | 246.5 | 37.5 | 233.4 | 35.4 | 221.0 | 33.4 | 207.9 | 31.5 | 194.8 | 29.5 | 186.3 | 28.2 |
| | -3 | -4 | 246.5 | 34.7 | 233.4 | 32.5 | 221.0 | 30.5 | 207.9 | 28.5 | 194.8 | 26.3 | 186.3 | 25.2 |
| | 2 | 1 | 246.5 | 32.3 | 233.4 | 30.0 | 221.0 | 28.0 | 207.9 | 25.9 | 194.8 | 24.3 | 186.3 | 23.2 |
| | 7 | 6 | 246.5 | 29.3 | 233.4 | 27.1 | 221.0 | 25.5 | 207.9 | 23.9 | 194.8 | 22.3 | 186.3 | 21.3 |
| | 12 | 10 | 246.5 | 26.9 | 233.4 | 25.3 | 221.0 | 23.9 | 207.9 | 22.4 | 194.8 | 20.9 | 186.3 | 19.9 |
| | 17 | 15 | 246.5 | 24.7 | 233.4 | 23.2 | 221.0 | 21.9 | 207.9 | 20.5 | 194.8 | 19.1 | 186.3 | 18.2 |
| | 22 | 20 | 246.5 | 22.7 | 233.4 | 21.3 | 221.0 | 20.1 | 207.9 | 18.8 | 194.8 | 17.7 | 186.3 | 17.1 |
| | 27 | 24 | 246.5 | 21.1 | 233.4 | 19.8 | 221.0 | 18.7 | 207.9 | 17.7 | 194.8 | 16.7 | 186.3 | 16.1 |
| | 32 | 29 | 246.5 | 19.3 | 233.4 | 18.2 | 221.0 | 17.4 | 207.9 | 16.5 | 194.8 | 15.6 | 186.3 | 15.1 |
| | 37 | 34 | 246.5 | 17.7 | 233.4 | 16.9 | 221.0 | 16.2 | 207.9 | 15.4 | 194.8 | 14.6 | 186.3 | 14.0 |
| | 42 | 38 | 246.5 | 16.7 | 233.4 | 16.0 | 221.0 | 15.2 | 207.9 | 14.5 | 194.8 | 13.7 | 186.3 | 13.2 |
| | 47 | 43 | 246.5 | 15.5 | 233.4 | 14.8 | 221.0 | 14.1 | 207.9 | 13.4 | 194.8 | 12.7 | 186.3 | 12.2 |
| | 52 | 47 | 246.5 | 14.5 | 233.4 | 13.9 | 221.0 | 13.2 | 207.9 | 12.6 | 194.8 | 11.9 | 186.3 | 11.5 |
| | 57 | 52 | 246.5 | 13.4 | 233.4 | 12.7 | 221.0 | 12.2 | 207.9 | 11.6 | 194.8 | 11.0 | 186.3 | 10.6 |
| | 62 | 56 | 246.5 | 12.5 | 233.4 | 11.9 | 221.0 | 11.4 | 207.9 | 10.8 | 194.8 | 10.3 | 186.3 | 10.0 |
| | 67 | 61 | 246.5 | 11.4 | 233.4 | 10.9 | 221.0 | 10.4 | 207.9 | 9.9 | 194.8 | 9.6 | 186.3 | 9.3 |
| | 72 | 66 | 246.5 | 10.4 | 233.4 | 10.0 | 221.0 | 9.6 | 207.9 | 9.3 | 194.8 | 8.9 | 186.3 | 8.6 |
| 75 | 69 | 246.5 | 9.9 | 233.4 | 9.5 | 221.0 | 9.2 | 207.9 | 8.9 | 194.8 | 8.5 | 186.3 | 8.2 | |
| 80 | 74 | 246.5 | 8.9 | 233.4 | 8.7 | 221.0 | 8.3 | 207.9 | 8.0 | 194.8 | 7.6 | 186.3 | 7.3 | |
| 60% | -22 | -23 | 170.7 | 36.4 | 168.6 | 37.2 | 166.8 | 37.9 | 165.1 | 38.8 | 165.2 | 40.1 | 159.7 | 39.5 |
| | -17 | -18 | 204.0 | 39.7 | 200.1 | 39.9 | 189.5 | 38.5 | 178.2 | 36.9 | 166.9 | 35.2 | 159.7 | 34.1 |
| | -13 | -14 | 211.3 | 35.2 | 200.1 | 33.7 | 189.5 | 32.3 | 178.2 | 30.7 | 166.9 | 29.0 | 159.7 | 27.9 |
| | -8 | -9 | 211.3 | 31.3 | 200.1 | 29.7 | 189.5 | 28.2 | 178.2 | 26.5 | 166.9 | 25.0 | 159.7 | 24.0 |
| | -3 | -4 | 211.3 | 28.4 | 200.1 | 26.6 | 189.5 | 25.1 | 178.2 | 23.7 | 166.9 | 22.4 | 159.7 | 21.5 |
| | 2 | 1 | 211.3 | 25.7 | 200.1 | 24.4 | 189.5 | 23.1 | 178.2 | 21.8 | 166.9 | 20.5 | 159.7 | 19.6 |
| | 7 | 6 | 211.3 | 23.8 | 200.1 | 22.5 | 189.5 | 21.3 | 178.2 | 20.0 | 166.9 | 18.7 | 159.7 | 17.9 |
| | 12 | 10 | 211.3 | 22.2 | 200.1 | 21.0 | 189.5 | 19.8 | 178.2 | 18.6 | 166.9 | 17.5 | 159.7 | 16.9 |
| | 17 | 15 | 211.3 | 20.3 | 200.1 | 19.2 | 189.5 | 18.1 | 178.2 | 17.2 | 166.9 | 16.3 | 159.7 | 15.8 |
| | 22 | 20 | 211.3 | 18.6 | 200.1 | 17.7 | 189.5 | 16.9 | 178.2 | 16.1 | 166.9 | 15.3 | 159.7 | 14.8 |
| | 27 | 24 | 211.3 | 17.4 | 200.1 | 16.7 | 189.5 | 16.0 | 178.2 | 15.2 | 166.9 | 14.5 | 159.7 | 14.0 |
| | 32 | 29 | 211.3 | 16.3 | 200.1 | 15.6 | 189.5 | 14.9 | 178.2 | 14.2 | 166.9 | 13.5 | 159.7 | 13.1 |
| | 37 | 34 | 211.3 | 15.1 | 200.1 | 14.5 | 189.5 | 13.9 | 178.2 | 13.2 | 166.9 | 12.6 | 159.7 | 12.2 |
| | 42 | 38 | 211.3 | 14.3 | 200.1 | 13.7 | 189.5 | 13.1 | 178.2 | 12.5 | 166.9 | 11.9 | 159.7 | 11.5 |
| | 47 | 43 | 211.3 | 13.2 | 200.1 | 12.6 | 189.5 | 12.1 | 178.2 | 11.5 | 166.9 | 11.0 | 159.7 | 10.6 |
| | 52 | 47 | 211.3 | 12.4 | 200.1 | 11.8 | 189.5 | 11.3 | 178.2 | 10.8 | 166.9 | 10.3 | 159.7 | 10.0 |
| | 57 | 52 | 211.3 | 11.4 | 200.1 | 10.9 | 189.5 | 10.4 | 178.2 | 10.0 | 166.9 | 9.6 | 159.7 | 9.3 |
| | 62 | 56 | 211.3 | 10.6 | 200.1 | 10.2 | 189.5 | 9.8 | 178.2 | 9.5 | 166.9 | 9.0 | 159.7 | 8.7 |
| | 67 | 61 | 211.3 | 9.7 | 200.1 | 9.5 | 189.5 | 9.1 | 178.2 | 8.8 | 166.9 | 8.3 | 159.7 | 8.1 |
| | 72 | 66 | 211.3 | 9.0 | 200.1 | 8.8 | 189.5 | 8.5 | 178.2 | 8.1 | 166.9 | 7.7 | 159.7 | 7.5 |
| 75 | 69 | 211.3 | 8.7 | 200.1 | 8.4 | 189.5 | 8.1 | 178.2 | 7.7 | 166.9 | 7.4 | 159.7 | 7.1 | |
| 80 | 74 | 211.3 | 7.8 | 200.1 | 7.5 | 189.5 | 7.2 | 178.2 | 6.8 | 166.9 | 6.5 | 159.7 | 6.2 | |

NOTE - Power Input = Compressor + Outdoor Fan Motor.
 MBH = 1000 BTUs per hour.

HEATING CAPACITY - THREE MODULE | VRB264L4

| Combination (%) | Outdoor Temperature (°F) | | Indoor Temperature - °F Dry Bulb | | | | | | | | | | | |
|-----------------|--------------------------|----------|----------------------------------|----------------|----------------|----------------|----------------|----------------|----------------|----------------|----------------|----------------|----------------|----------------|
| | | | 61 | | 64 | | 67 | | 70 | | 73 | | 75 | |
| | Dry Bulb | Wet Bulb | Total Cap. MBH | Power Input kW | Total Cap. MBH | Power Input kW | Total Cap. MBH | Power Input kW | Total Cap. MBH | Power Input kW | Total Cap. MBH | Power Input kW | Total Cap. MBH | Power Input kW |
| 50% | -22 | -23 | 165.8 | 38.2 | 166.7 | 39.6 | 157.9 | 38.4 | 148.5 | 37.1 | 139.1 | 35.8 | 133.0 | 34.8 |
| | -17 | -18 | 176.1 | 35.7 | 166.7 | 34.4 | 157.9 | 33.1 | 148.5 | 31.6 | 139.1 | 30.0 | 133.0 | 29.0 |
| | -13 | -14 | 176.1 | 29.6 | 166.7 | 28.3 | 157.9 | 27.1 | 148.5 | 25.8 | 139.1 | 24.4 | 133.0 | 23.5 |
| | -8 | -9 | 176.1 | 25.5 | 166.7 | 24.3 | 157.9 | 23.2 | 148.5 | 22.0 | 139.1 | 20.8 | 133.0 | 20.1 |
| | -3 | -4 | 176.1 | 22.9 | 166.7 | 21.8 | 157.9 | 20.7 | 148.5 | 19.6 | 139.1 | 18.5 | 133.0 | 17.8 |
| | 2 | 1 | 176.1 | 21.0 | 166.7 | 19.9 | 157.9 | 18.9 | 148.5 | 17.8 | 139.1 | 16.8 | 133.0 | 16.2 |
| | 7 | 6 | 176.1 | 19.2 | 166.7 | 18.1 | 157.9 | 17.3 | 148.5 | 16.4 | 139.1 | 15.6 | 133.0 | 15.1 |
| | 12 | 10 | 176.1 | 17.8 | 166.7 | 17.0 | 157.9 | 16.3 | 148.5 | 15.6 | 139.1 | 14.8 | 133.0 | 14.3 |
| | 17 | 15 | 176.1 | 16.5 | 166.7 | 15.9 | 157.9 | 15.2 | 148.5 | 14.6 | 139.1 | 13.9 | 133.0 | 13.4 |
| | 22 | 20 | 176.1 | 15.5 | 166.7 | 14.9 | 157.9 | 14.3 | 148.5 | 13.7 | 139.1 | 13.0 | 133.0 | 12.6 |
| | 27 | 24 | 176.1 | 14.6 | 166.7 | 14.1 | 157.9 | 13.5 | 148.5 | 12.9 | 139.1 | 12.3 | 133.0 | 11.9 |
| | 32 | 29 | 176.1 | 13.7 | 166.7 | 13.1 | 157.9 | 12.6 | 148.5 | 12.1 | 139.1 | 11.5 | 133.0 | 11.2 |
| | 37 | 34 | 176.1 | 12.7 | 166.7 | 12.2 | 157.9 | 11.7 | 148.5 | 11.2 | 139.1 | 10.7 | 133.0 | 10.4 |
| | 42 | 38 | 176.1 | 11.9 | 166.7 | 11.5 | 157.9 | 11.0 | 148.5 | 10.5 | 139.1 | 10.1 | 133.0 | 9.9 |
| | 47 | 43 | 176.1 | 11.0 | 166.7 | 10.6 | 157.9 | 10.2 | 148.5 | 9.8 | 139.1 | 9.4 | 133.0 | 9.1 |
| | 52 | 47 | 176.1 | 10.3 | 166.7 | 9.9 | 157.9 | 9.7 | 148.5 | 9.3 | 139.1 | 8.9 | 133.0 | 8.6 |
| | 57 | 52 | 176.1 | 9.6 | 166.7 | 9.3 | 157.9 | 9.0 | 148.5 | 8.6 | 139.1 | 8.2 | 133.0 | 7.9 |
| 62 | 56 | 176.1 | 9.1 | 166.7 | 8.7 | 157.9 | 8.4 | 148.5 | 8.0 | 139.1 | 7.7 | 133.0 | 7.4 | |
| 67 | 61 | 176.1 | 8.4 | 166.7 | 8.1 | 157.9 | 7.7 | 148.5 | 7.4 | 139.1 | 7.1 | 133.0 | 6.9 | |
| 72 | 66 | 176.1 | 7.7 | 166.7 | 7.4 | 157.9 | 7.2 | 148.5 | 6.9 | 139.1 | 6.6 | 133.0 | 6.4 | |
| 75 | 69 | 176.1 | 7.3 | 166.7 | 7.1 | 157.9 | 6.8 | 148.5 | 6.6 | 139.1 | 6.3 | 133.0 | 6.2 | |
| 80 | 74 | 176.1 | 6.6 | 166.7 | 6.3 | 157.9 | 6.0 | 148.5 | 5.8 | 139.1 | 5.5 | 133.0 | 5.3 | |

NOTE - Power Input = Compressor + Outdoor Fan Motor.
 MBH = 1000 BTUs per hour.

COOLING CAPACITY - THREE MODULE | VRB288L4

| Combination (%) | Outdoor Temperature °F (Dry Bulb) | Indoor Temperature - °F (Dry Bulb / Wet Bulb) | | | | | | | | | | | |
|-----------------|-----------------------------------|---|-------------|------------|-------------|------------|-------------|------------|-------------|------------|-------------|------------|-------------|
| | | 67 / 57 | | 71 / 60 | | 75 / 63 | | 80 / 67 | | 85 / 71 | | 90 / 75 | |
| | | Total Cap. | Power Input | Total Cap. | Power Input | Total Cap. | Power Input | Total Cap. | Power Input | Total Cap. | Power Input | Total Cap. | Power Input |
| | | MBH | KW | MBH | KW | MBH | KW | MBH | KW | MBH | KW | MBH | KW |
| 130% | -10 | 220.7 | 7.8 | 268.2 | 9.6 | 312.9 | 11.3 | 374.4 | 13.8 | 438.7 | 16.5 | 492.7 | 19.0 |
| | -5 | 220.7 | 8.3 | 268.2 | 10.2 | 312.9 | 12.0 | 374.4 | 14.6 | 438.7 | 17.5 | 474.6 | 19.4 |
| | 10 | 220.7 | 8.5 | 268.2 | 10.4 | 312.9 | 12.3 | 374.4 | 15.0 | 438.7 | 17.9 | 468.2 | 19.5 |
| | 15 | 220.7 | 8.6 | 268.2 | 10.6 | 312.9 | 12.5 | 374.4 | 15.3 | 436.1 | 18.2 | 458.8 | 19.5 |
| | 20 | 220.7 | 8.8 | 268.2 | 10.9 | 312.9 | 12.8 | 374.4 | 15.6 | 431.9 | 18.4 | 449.2 | 19.5 |
| | 25 | 220.7 | 9.0 | 268.2 | 11.1 | 312.9 | 13.1 | 374.4 | 16.0 | 427.6 | 18.6 | 439.1 | 19.5 |
| | 30 | 220.7 | 9.2 | 268.2 | 11.4 | 312.9 | 13.4 | 374.4 | 16.4 | 419.8 | 18.7 | 429.3 | 19.6 |
| | 35 | 220.7 | 9.5 | 268.2 | 11.6 | 312.9 | 13.7 | 374.4 | 16.7 | 413.2 | 18.8 | 420.0 | 19.6 |
| | 40 | 220.7 | 9.7 | 268.2 | 11.9 | 312.9 | 14.1 | 374.4 | 17.2 | 409.2 | 19.1 | 414.4 | 19.8 |
| | 45 | 220.7 | 9.9 | 268.2 | 12.2 | 312.9 | 14.4 | 374.4 | 17.6 | 407.9 | 19.5 | 412.5 | 20.2 |
| | 50 | 220.7 | 10.2 | 268.2 | 12.5 | 312.9 | 14.8 | 374.4 | 18.0 | 405.6 | 19.9 | 411.3 | 20.7 |
| | 55 | 220.7 | 10.5 | 268.2 | 12.9 | 312.9 | 15.2 | 374.4 | 18.5 | 405.0 | 20.4 | 410.7 | 21.2 |
| | 60 | 220.7 | 10.8 | 268.2 | 13.2 | 312.9 | 15.6 | 374.4 | 19.0 | 406.2 | 21.0 | 410.5 | 21.7 |
| | 65 | 220.7 | 11.1 | 268.2 | 13.6 | 312.9 | 16.0 | 374.4 | 19.6 | 402.7 | 21.4 | 410.4 | 22.3 |
| | 70 | 220.7 | 12.0 | 268.2 | 14.8 | 312.9 | 17.5 | 374.4 | 21.3 | 402.3 | 23.2 | 410.0 | 24.3 |
| | 75 | 220.7 | 13.2 | 268.2 | 16.2 | 312.9 | 19.2 | 371.4 | 23.1 | 401.1 | 25.4 | 408.8 | 26.5 |
| | 80 | 220.7 | 14.5 | 268.2 | 17.8 | 312.9 | 21.0 | 369.9 | 25.3 | 398.6 | 27.7 | 406.3 | 29.0 |
| | 85 | 220.7 | 15.9 | 268.2 | 19.5 | 312.9 | 23.1 | 367.6 | 27.6 | 394.1 | 30.1 | 401.7 | 31.4 |
| | 90 | 220.7 | 17.4 | 268.2 | 21.4 | 312.9 | 25.3 | 364.1 | 29.9 | 386.9 | 32.3 | 394.3 | 33.8 |
| | 95 | 220.7 | 19.0 | 268.2 | 23.4 | 312.9 | 27.6 | 347.0 | 31.0 | 355.9 | 32.5 | 361.6 | 33.8 |
| 100 | 220.7 | 20.7 | 268.2 | 25.4 | 306.7 | 29.4 | 335.1 | 32.5 | 340.4 | 33.8 | 346.9 | 35.2 | |
| 105 | 220.7 | 22.3 | 268.2 | 27.5 | 297.3 | 30.6 | 311.4 | 32.6 | 320.7 | 34.3 | 326.8 | 35.8 | |
| 110 | 220.7 | 23.9 | 256.9 | 28.0 | 275.4 | 30.3 | 286.2 | 32.0 | 294.7 | 33.7 | 300.3 | 35.2 | |
| 115 | 213.4 | 24.4 | 234.9 | 27.0 | 244.3 | 28.4 | 253.7 | 30.0 | 261.2 | 31.6 | 266.2 | 33.0 | |
| 118 | 200.1 | 23.4 | 213.9 | 25.2 | 221.4 | 26.4 | 229.9 | 27.9 | 236.7 | 29.4 | 241.3 | 30.7 | |
| 125 | 144.5 | 17.5 | 150.9 | 18.5 | 156.1 | 19.4 | 162.1 | 20.5 | 167.0 | 21.6 | 170.2 | 22.5 | |
| 120% | -10 | 203.7 | 7.1 | 247.6 | 8.7 | 288.9 | 10.3 | 345.6 | 12.5 | 404.9 | 15.0 | 461.7 | 17.5 |
| | -5 | 203.7 | 7.5 | 247.6 | 9.2 | 288.9 | 10.9 | 345.6 | 13.3 | 404.9 | 15.9 | 456.5 | 18.4 |
| | 10 | 203.7 | 7.7 | 247.6 | 9.4 | 288.9 | 11.2 | 345.6 | 13.6 | 404.9 | 16.3 | 452.7 | 18.6 |
| | 15 | 203.7 | 7.9 | 247.6 | 9.7 | 288.9 | 11.4 | 345.6 | 13.9 | 404.9 | 16.6 | 445.6 | 18.7 |
| | 20 | 203.7 | 8.0 | 247.6 | 9.9 | 288.9 | 11.6 | 345.6 | 14.2 | 404.9 | 17.0 | 438.5 | 18.8 |
| | 25 | 203.7 | 8.2 | 247.6 | 10.1 | 288.9 | 11.9 | 345.6 | 14.5 | 404.9 | 17.4 | 431.2 | 18.9 |
| | 30 | 203.7 | 8.4 | 247.6 | 10.3 | 288.9 | 12.2 | 345.6 | 14.9 | 400.7 | 17.6 | 421.5 | 18.9 |
| | 35 | 203.7 | 8.6 | 247.6 | 10.6 | 288.9 | 12.5 | 345.6 | 15.2 | 396.8 | 17.8 | 412.3 | 18.9 |
| | 40 | 203.7 | 8.8 | 247.6 | 10.8 | 288.9 | 12.8 | 345.6 | 15.6 | 394.2 | 18.1 | 406.5 | 19.1 |
| | 45 | 203.7 | 9.0 | 247.6 | 11.1 | 288.9 | 13.1 | 345.6 | 16.0 | 393.2 | 18.5 | 404.7 | 19.5 |
| | 50 | 203.7 | 9.3 | 247.6 | 11.4 | 288.9 | 13.5 | 345.6 | 16.4 | 392.4 | 19.0 | 403.6 | 20.0 |
| | 55 | 203.7 | 9.5 | 247.6 | 11.7 | 288.9 | 13.8 | 345.6 | 16.8 | 391.8 | 19.4 | 403.0 | 20.5 |
| | 60 | 203.7 | 9.8 | 247.6 | 12.0 | 288.9 | 14.2 | 345.6 | 17.3 | 391.9 | 20.0 | 402.8 | 21.0 |
| | 65 | 203.7 | 10.0 | 247.6 | 12.3 | 288.9 | 14.6 | 345.6 | 17.8 | 390.3 | 20.4 | 402.7 | 21.6 |
| | 70 | 203.7 | 10.9 | 247.6 | 13.4 | 288.9 | 15.9 | 345.6 | 19.3 | 389.7 | 22.2 | 402.3 | 23.4 |
| | 75 | 203.7 | 12.0 | 247.6 | 14.7 | 288.9 | 17.4 | 345.6 | 21.2 | 388.7 | 24.3 | 401.1 | 25.6 |
| | 80 | 203.7 | 13.2 | 247.6 | 16.2 | 288.9 | 19.1 | 345.6 | 23.3 | 386.7 | 26.5 | 398.6 | 28.0 |
| | 85 | 203.7 | 14.5 | 247.6 | 17.8 | 288.9 | 21.0 | 345.6 | 25.6 | 382.9 | 28.8 | 394.1 | 30.3 |
| | 90 | 203.7 | 15.8 | 247.6 | 19.5 | 288.9 | 23.0 | 345.6 | 28.0 | 377.1 | 31.1 | 386.9 | 32.6 |
| | 95 | 203.7 | 17.3 | 247.6 | 21.3 | 288.9 | 25.1 | 334.6 | 29.5 | 355.9 | 32.0 | 361.6 | 33.3 |
| 100 | 203.7 | 18.8 | 247.6 | 23.1 | 288.9 | 27.3 | 328.1 | 31.4 | 340.4 | 33.2 | 346.9 | 34.7 | |
| 105 | 203.7 | 20.3 | 247.6 | 24.9 | 283.3 | 28.8 | 310.4 | 32.0 | 320.7 | 33.8 | 326.8 | 35.3 | |
| 110 | 203.7 | 21.7 | 244.8 | 26.4 | 269.4 | 29.2 | 286.2 | 31.5 | 294.7 | 33.2 | 300.3 | 34.7 | |
| 115 | 203.7 | 23.0 | 229.8 | 26.0 | 244.3 | 27.9 | 253.7 | 29.6 | 261.2 | 31.1 | 266.2 | 32.5 | |
| 118 | 193.7 | 22.3 | 213.2 | 24.8 | 221.4 | 26.0 | 229.9 | 27.5 | 236.7 | 29.0 | 241.3 | 30.2 | |
| 125 | 144.5 | 17.3 | 150.9 | 18.2 | 156.1 | 19.1 | 162.1 | 20.2 | 167.0 | 21.2 | 170.2 | 22.2 | |

NOTE - Power Input = Compressor + Outdoor Fan Motor.
 MBH = 1000 BTUs per hour.

COOLING CAPACITY - THREE MODULE | VRB288L4

| Combination (%) | Outdoor Temperature °F (Dry Bulb) | Indoor Temperature - °F (Dry Bulb / Wet Bulb) | | | | | | | | | | | |
|-----------------|-----------------------------------|---|-------------|------------|-------------|------------|-------------|--------------|-------------|------------|-------------|------------|-------------|
| | | 67 / 57 | | 71 / 60 | | 75 / 63 | | 80 / 67 | | 85 / 71 | | 90 / 75 | |
| | | Total Cap. | Power Input | Total Cap. | Power Input | Total Cap. | Power Input | Total Cap. | Power Input | Total Cap. | Power Input | Total Cap. | Power Input |
| | | MBH | kW | MBH | kW | MBH | kW | MBH | kW | MBH | kW | MBH | kW |
| 110% | -10 | 186.8 | 6.4 | 227.0 | 7.9 | 264.8 | 9.3 | 316.8 | 11.3 | 371.2 | 13.5 | 423.2 | 15.8 |
| | -5 | 186.8 | 6.8 | 227.0 | 8.3 | 264.8 | 9.9 | 316.8 | 12.0 | 371.2 | 14.4 | 423.2 | 16.8 |
| | 10 | 186.8 | 6.9 | 227.0 | 8.5 | 264.8 | 10.1 | 316.8 | 12.3 | 371.2 | 14.7 | 423.2 | 17.2 |
| | 15 | 186.8 | 7.1 | 227.0 | 8.7 | 264.8 | 10.3 | 316.8 | 12.5 | 371.2 | 15.0 | 423.1 | 17.5 |
| | 20 | 186.8 | 7.2 | 227.0 | 8.9 | 264.8 | 10.5 | 316.8 | 12.8 | 371.2 | 15.4 | 419.0 | 17.7 |
| | 25 | 186.8 | 7.4 | 227.0 | 9.1 | 264.8 | 10.8 | 316.8 | 13.1 | 371.2 | 15.7 | 414.8 | 17.9 |
| | 30 | 186.8 | 7.6 | 227.0 | 9.3 | 264.8 | 11.0 | 316.8 | 13.4 | 371.2 | 16.1 | 408.9 | 18.1 |
| | 35 | 186.8 | 7.8 | 227.0 | 9.5 | 264.8 | 11.3 | 316.8 | 13.7 | 371.2 | 16.5 | 402.3 | 18.2 |
| | 40 | 186.8 | 8.0 | 227.0 | 9.8 | 264.8 | 11.5 | 316.8 | 14.1 | 371.2 | 16.9 | 398.2 | 18.4 |
| | 45 | 186.8 | 8.2 | 227.0 | 10.0 | 264.8 | 11.8 | 316.8 | 14.4 | 371.2 | 17.3 | 396.9 | 18.8 |
| | 50 | 186.8 | 8.4 | 227.0 | 10.3 | 264.8 | 12.1 | 316.8 | 14.8 | 371.2 | 17.7 | 395.8 | 19.3 |
| | 55 | 186.8 | 8.6 | 227.0 | 10.6 | 264.8 | 12.5 | 316.8 | 15.2 | 371.2 | 18.2 | 395.2 | 19.8 |
| | 60 | 186.8 | 8.8 | 227.0 | 10.8 | 264.8 | 12.8 | 316.8 | 15.6 | 369.1 | 18.6 | 395.0 | 20.3 |
| | 65 | 186.8 | 9.1 | 227.0 | 11.1 | 264.8 | 13.2 | 316.8 | 16.0 | 367.7 | 19.0 | 394.9 | 20.8 |
| | 70 | 186.8 | 9.9 | 227.0 | 12.1 | 264.8 | 14.3 | 316.8 | 17.5 | 367.0 | 20.6 | 394.5 | 22.6 |
| | 75 | 186.8 | 10.8 | 227.0 | 13.3 | 264.8 | 15.7 | 316.8 | 19.2 | 366.1 | 22.6 | 393.4 | 24.8 |
| | 80 | 186.8 | 11.9 | 227.0 | 14.6 | 264.8 | 17.3 | 316.8 | 21.0 | 364.6 | 24.7 | 390.9 | 27.0 |
| | 85 | 186.8 | 13.0 | 227.0 | 16.0 | 264.8 | 18.9 | 316.8 | 23.1 | 362.4 | 26.9 | 386.5 | 29.3 |
| | 90 | 186.8 | 14.3 | 227.0 | 17.6 | 264.8 | 20.7 | 316.8 | 25.3 | 359.1 | 29.2 | 379.5 | 31.5 |
| | 95 | 186.8 | 15.6 | 227.0 | 19.2 | 264.8 | 22.7 | 316.8 | 27.6 | 351.9 | 31.2 | 361.6 | 32.8 |
| 100 | 186.8 | 17.0 | 227.0 | 20.9 | 264.8 | 24.6 | 313.3 | 29.7 | 338.6 | 32.6 | 346.9 | 34.2 | |
| 105 | 186.8 | 18.3 | 227.0 | 22.5 | 264.8 | 26.6 | 302.0 | 30.7 | 320.7 | 33.3 | 326.8 | 34.7 | |
| 110 | 186.8 | 19.6 | 227.0 | 24.1 | 257.3 | 27.6 | 284.0 | 30.8 | 294.7 | 32.7 | 300.3 | 34.1 | |
| 115 | 186.8 | 20.7 | 219.5 | 24.6 | 239.9 | 27.1 | 253.7 | 29.1 | 261.2 | 30.6 | 266.2 | 32.0 | |
| 118 | 183.8 | 21.0 | 208.1 | 23.8 | 221.4 | 25.6 | 229.9 | 27.1 | 236.7 | 28.5 | 241.3 | 29.8 | |
| 125 | 144.5 | 17.0 | 150.9 | 17.9 | 156.1 | 18.8 | 162.1 | 19.9 | 167.0 | 20.9 | 170.2 | 21.8 | |
| 100% | -10 | 169.8 | 5.7 | 206.3 | 7.0 | 240.7 | 8.3 | 288.0 | 10.1 | 337.4 | 12.1 | 384.7 | 14.2 |
| | -5 | 169.8 | 6.1 | 206.3 | 7.5 | 240.7 | 8.8 | 288.0 | 10.8 | 337.4 | 12.9 | 384.7 | 15.0 |
| | 10 | 169.8 | 6.2 | 206.3 | 7.6 | 240.7 | 9.0 | 288.0 | 11.0 | 337.4 | 13.2 | 384.7 | 15.4 |
| | 15 | 169.8 | 6.3 | 206.3 | 7.8 | 240.7 | 9.2 | 288.0 | 11.2 | 337.4 | 13.5 | 384.7 | 15.7 |
| | 20 | 169.8 | 6.5 | 206.3 | 8.0 | 240.7 | 9.4 | 288.0 | 11.5 | 337.4 | 13.7 | 384.6 | 16.0 |
| | 25 | 169.8 | 6.6 | 206.3 | 8.2 | 240.7 | 9.6 | 288.0 | 11.7 | 337.4 | 14.1 | 382.9 | 16.3 |
| | 30 | 169.8 | 6.8 | 206.3 | 8.3 | 240.7 | 9.9 | 288.0 | 12.0 | 337.4 | 14.4 | 381.3 | 16.6 |
| | 35 | 169.8 | 7.0 | 206.3 | 8.5 | 240.7 | 10.1 | 288.0 | 12.3 | 337.4 | 14.7 | 379.9 | 17.0 |
| | 40 | 169.8 | 7.1 | 206.3 | 8.8 | 240.7 | 10.3 | 288.0 | 12.6 | 337.4 | 15.1 | 378.7 | 17.3 |
| | 45 | 169.8 | 7.3 | 206.3 | 9.0 | 240.7 | 10.6 | 288.0 | 12.9 | 337.4 | 15.5 | 377.7 | 17.7 |
| | 50 | 169.8 | 7.5 | 206.3 | 9.2 | 240.7 | 10.9 | 288.0 | 13.3 | 337.4 | 15.9 | 376.9 | 18.1 |
| | 55 | 169.8 | 7.7 | 206.3 | 9.5 | 240.7 | 11.2 | 288.0 | 13.6 | 337.4 | 16.3 | 376.4 | 18.6 |
| | 60 | 169.8 | 7.9 | 206.3 | 9.7 | 240.7 | 11.5 | 288.0 | 14.0 | 337.4 | 16.7 | 375.9 | 19.1 |
| | 65 | 169.8 | 8.1 | 206.3 | 10.0 | 240.7 | 11.8 | 288.0 | 14.4 | 337.4 | 17.2 | 375.4 | 19.6 |
| | 70 | 169.8 | 8.8 | 206.3 | 10.9 | 240.7 | 12.8 | 288.0 | 15.6 | 337.4 | 18.7 | 374.8 | 21.2 |
| | 75 | 169.8 | 9.7 | 206.3 | 11.9 | 240.7 | 14.1 | 288.0 | 17.2 | 337.4 | 20.5 | 373.9 | 23.2 |
| | 80 | 169.8 | 10.6 | 206.3 | 13.1 | 240.7 | 15.5 | 288.0 | 18.8 | 337.4 | 22.6 | 372.4 | 25.4 |
| | 85 | 169.8 | 11.7 | 206.3 | 14.4 | 240.7 | 17.0 | 288.0 | 20.7 | 337.4 | 24.8 | 370.1 | 27.7 |
| | 90 | 169.8 | 12.8 | 206.3 | 15.7 | 240.7 | 18.6 | 288.0 | 22.6 | 336.6 | 27.0 | 366.5 | 30.0 |
| | 95 | 169.8 | 14.0 | 206.3 | 17.2 | 240.7 | 20.3 | 288.0 | 24.7 | 332.0 | 29.1 | 358.2 | 32.0 |
| 100 | 169.8 | 15.2 | 206.3 | 18.7 | 240.7 | 22.1 | 288.0 | 26.9 | 325.8 | 31.0 | 346.7 | 33.6 | |
| 105 | 169.8 | 16.4 | 206.3 | 20.2 | 240.7 | 23.8 | 285.2 | 28.7 | 315.0 | 32.2 | 326.8 | 34.2 | |
| 110 | 169.8 | 17.6 | 206.3 | 21.6 | 240.7 | 25.5 | 274.8 | 29.5 | 294.7 | 32.2 | 300.3 | 33.6 | |
| 115 | 169.8 | 18.6 | 206.3 | 22.8 | 230.5 | 25.7 | 252.4 | 28.5 | 261.2 | 30.2 | 266.2 | 31.5 | |
| 118 | 169.8 | 19.1 | 198.5 | 22.5 | 216.8 | 24.7 | 229.9 | 26.7 | 236.7 | 28.1 | 241.3 | 29.3 | |
| 125 | 142.7 | 16.5 | 150.9 | 17.7 | 156.1 | 18.5 | 162.1 | 19.6 | 167.0 | 20.6 | 170.2 | 21.5 | |

NOTE - Power Input = Compressor + Outdoor Fan Motor.
 MBH = 1000 BTUs per hour.

COOLING CAPACITY - THREE MODULE | VRB288L4

| Combination (%) | Outdoor Temperature °F (Dry Bulb) | Indoor Temperature - °F (Dry Bulb / Wet Bulb) | | | | | | | | | | | |
|-----------------|-----------------------------------|---|-------------|------------|-------------|------------|-------------|------------|-------------|------------|-------------|------------|-------------|
| | | 67 / 57 | | 71 / 60 | | 75 / 63 | | 80 / 67 | | 85 / 71 | | 90 / 75 | |
| | | Total Cap. | Power Input | Total Cap. | Power Input | Total Cap. | Power Input | Total Cap. | Power Input | Total Cap. | Power Input | Total Cap. | Power Input |
| | | MBH | KW | MBH | KW | MBH | KW | MBH | KW | MBH | KW | MBH | KW |
| 90% | -10 | 152.8 | 5.1 | 185.7 | 6.2 | 216.6 | 7.4 | 259.2 | 9.0 | 303.7 | 10.8 | 346.2 | 12.6 |
| | -5 | 152.8 | 5.4 | 185.7 | 6.6 | 216.6 | 7.8 | 259.2 | 9.5 | 303.7 | 11.4 | 346.2 | 13.3 |
| | 10 | 152.8 | 5.5 | 185.7 | 6.8 | 216.6 | 8.0 | 259.2 | 9.7 | 303.7 | 11.7 | 346.2 | 13.6 |
| | 15 | 152.8 | 5.6 | 185.7 | 6.9 | 216.6 | 8.2 | 259.2 | 10.0 | 303.7 | 11.9 | 346.2 | 13.9 |
| | 20 | 152.8 | 5.8 | 185.7 | 7.1 | 216.6 | 8.3 | 259.2 | 10.2 | 303.7 | 12.2 | 346.2 | 14.2 |
| | 25 | 152.8 | 5.9 | 185.7 | 7.2 | 216.6 | 8.5 | 259.2 | 10.4 | 303.7 | 12.5 | 346.2 | 14.6 |
| | 30 | 152.8 | 6.0 | 185.7 | 7.4 | 216.6 | 8.7 | 259.2 | 10.7 | 303.7 | 12.8 | 346.2 | 14.9 |
| | 35 | 152.8 | 6.2 | 185.7 | 7.6 | 216.6 | 9.0 | 259.2 | 10.9 | 303.7 | 13.1 | 346.2 | 15.3 |
| | 40 | 152.8 | 6.3 | 185.7 | 7.8 | 216.6 | 9.2 | 259.2 | 11.2 | 303.7 | 13.4 | 346.2 | 15.6 |
| | 45 | 152.8 | 6.5 | 185.7 | 8.0 | 216.6 | 9.4 | 259.2 | 11.5 | 303.7 | 13.7 | 346.2 | 16.0 |
| | 50 | 152.8 | 6.6 | 185.7 | 8.2 | 216.6 | 9.6 | 259.2 | 11.8 | 303.7 | 14.1 | 346.2 | 16.4 |
| | 55 | 152.8 | 6.8 | 185.7 | 8.4 | 216.6 | 9.9 | 259.2 | 12.1 | 303.7 | 14.5 | 346.2 | 16.9 |
| | 60 | 152.8 | 7.0 | 185.7 | 8.6 | 216.6 | 10.2 | 259.2 | 12.4 | 303.7 | 14.8 | 346.2 | 17.3 |
| | 65 | 152.8 | 7.2 | 185.7 | 8.9 | 216.6 | 10.5 | 259.2 | 12.7 | 303.7 | 15.3 | 346.2 | 17.8 |
| | 70 | 152.8 | 7.8 | 185.7 | 9.6 | 216.6 | 11.4 | 259.2 | 13.9 | 303.7 | 16.6 | 346.2 | 19.4 |
| | 75 | 152.8 | 8.6 | 185.7 | 10.6 | 216.6 | 12.5 | 259.2 | 15.2 | 303.7 | 18.2 | 346.2 | 21.3 |
| | 80 | 152.8 | 9.4 | 185.7 | 11.6 | 216.6 | 13.7 | 259.2 | 16.7 | 303.7 | 20.0 | 346.2 | 23.4 |
| | 85 | 152.8 | 10.4 | 185.7 | 12.7 | 216.6 | 15.0 | 259.2 | 18.3 | 303.7 | 21.9 | 344.8 | 25.5 |
| | 90 | 152.8 | 11.3 | 185.7 | 13.9 | 216.6 | 16.5 | 259.2 | 20.1 | 303.7 | 24.0 | 341.5 | 27.7 |
| | 95 | 152.8 | 12.4 | 185.7 | 15.2 | 216.6 | 18.0 | 259.2 | 21.9 | 303.7 | 26.3 | 339.7 | 30.0 |
| 100 | 152.8 | 13.5 | 185.7 | 16.6 | 216.6 | 19.6 | 259.2 | 23.8 | 303.5 | 28.5 | 333.4 | 32.0 | |
| 105 | 152.8 | 14.5 | 185.7 | 17.9 | 216.6 | 21.1 | 259.2 | 25.7 | 297.8 | 30.2 | 321.6 | 33.2 | |
| 110 | 152.8 | 15.6 | 185.7 | 19.1 | 216.6 | 22.6 | 258.0 | 27.4 | 286.8 | 31.0 | 300.3 | 33.1 | |
| 115 | 152.8 | 16.5 | 185.7 | 20.2 | 216.5 | 23.9 | 244.8 | 27.3 | 261.2 | 29.7 | 266.2 | 31.0 | |
| 118 | 152.8 | 16.9 | 185.7 | 20.8 | 207.3 | 23.4 | 227.4 | 26.0 | 236.7 | 27.7 | 241.3 | 28.9 | |
| 125 | 138.4 | 15.9 | 150.9 | 17.4 | 156.1 | 18.2 | 162.1 | 19.3 | 167.0 | 20.3 | 170.2 | 21.2 | |
| 80% | -10 | 135.8 | 4.4 | 165.1 | 5.5 | 192.6 | 6.5 | 230.4 | 7.9 | 269.9 | 9.4 | 307.8 | 11.0 |
| | -5 | 135.8 | 4.7 | 165.1 | 5.8 | 192.6 | 6.9 | 230.4 | 8.4 | 269.9 | 10.0 | 307.8 | 11.7 |
| | 10 | 135.8 | 4.8 | 165.1 | 5.9 | 192.6 | 7.0 | 230.4 | 8.5 | 269.9 | 10.2 | 307.8 | 11.9 |
| | 15 | 135.8 | 4.9 | 165.1 | 6.1 | 192.6 | 7.2 | 230.4 | 8.7 | 269.9 | 10.5 | 307.8 | 12.2 |
| | 20 | 135.8 | 5.0 | 165.1 | 6.2 | 192.6 | 7.3 | 230.4 | 8.9 | 269.9 | 10.7 | 307.8 | 12.5 |
| | 25 | 135.8 | 5.2 | 165.1 | 6.3 | 192.6 | 7.5 | 230.4 | 9.1 | 269.9 | 10.9 | 307.8 | 12.8 |
| | 30 | 135.8 | 5.3 | 165.1 | 6.5 | 192.6 | 7.7 | 230.4 | 9.3 | 269.9 | 11.2 | 307.8 | 13.1 |
| | 35 | 135.8 | 5.4 | 165.1 | 6.6 | 192.6 | 7.8 | 230.4 | 9.6 | 269.9 | 11.4 | 307.8 | 13.4 |
| | 40 | 135.8 | 5.5 | 165.1 | 6.8 | 192.6 | 8.0 | 230.4 | 9.8 | 269.9 | 11.7 | 307.8 | 13.7 |
| | 45 | 135.8 | 5.7 | 165.1 | 7.0 | 192.6 | 8.2 | 230.4 | 10.0 | 269.9 | 12.0 | 307.8 | 14.0 |
| | 50 | 135.8 | 5.8 | 165.1 | 7.2 | 192.6 | 8.4 | 230.4 | 10.3 | 269.9 | 12.3 | 307.8 | 14.4 |
| | 55 | 135.8 | 6.0 | 165.1 | 7.3 | 192.6 | 8.7 | 230.4 | 10.6 | 269.9 | 12.7 | 307.8 | 14.8 |
| | 60 | 135.8 | 6.1 | 165.1 | 7.5 | 192.6 | 8.9 | 230.4 | 10.9 | 269.9 | 13.0 | 307.8 | 15.2 |
| | 65 | 135.8 | 6.3 | 165.1 | 7.8 | 192.6 | 9.2 | 230.4 | 11.2 | 269.9 | 13.4 | 307.8 | 15.6 |
| | 70 | 135.8 | 6.9 | 165.1 | 8.4 | 192.6 | 10.0 | 230.4 | 12.1 | 269.9 | 14.5 | 307.8 | 17.0 |
| | 75 | 135.8 | 7.5 | 165.1 | 9.3 | 192.6 | 10.9 | 230.4 | 13.3 | 269.9 | 16.0 | 307.8 | 18.6 |
| | 80 | 135.8 | 8.3 | 165.1 | 10.2 | 192.6 | 12.0 | 230.4 | 14.6 | 269.9 | 17.5 | 307.8 | 20.5 |
| | 85 | 135.8 | 9.1 | 165.1 | 11.2 | 192.6 | 13.2 | 230.4 | 16.1 | 269.9 | 19.2 | 307.8 | 22.5 |
| | 90 | 135.8 | 9.9 | 165.1 | 12.2 | 192.6 | 14.4 | 230.4 | 17.6 | 269.9 | 21.1 | 307.8 | 24.6 |
| | 95 | 135.8 | 10.9 | 165.1 | 13.3 | 192.6 | 15.8 | 230.4 | 19.2 | 269.9 | 23.0 | 307.8 | 26.9 |
| 100 | 135.8 | 11.8 | 165.1 | 14.5 | 192.6 | 17.1 | 230.4 | 20.9 | 269.9 | 25.0 | 307.8 | 29.2 | |
| 105 | 135.8 | 12.7 | 165.1 | 15.7 | 192.6 | 18.5 | 230.4 | 22.5 | 269.9 | 27.0 | 302.5 | 30.9 | |
| 110 | 135.8 | 13.6 | 165.1 | 16.8 | 192.6 | 19.8 | 230.4 | 24.1 | 267.4 | 28.6 | 291.6 | 31.8 | |
| 115 | 135.8 | 14.4 | 165.1 | 17.7 | 192.6 | 20.9 | 228.0 | 25.2 | 253.2 | 28.5 | 266.2 | 30.6 | |
| 118 | 135.8 | 14.8 | 165.1 | 18.2 | 192.6 | 21.5 | 218.4 | 24.7 | 234.9 | 27.1 | 241.3 | 28.5 | |
| 125 | 130.1 | 14.7 | 145.9 | 16.6 | 156.1 | 18.0 | 162.1 | 19.0 | 167.0 | 20.0 | 170.2 | 20.9 | |

NOTE - Power Input = Compressor + Outdoor Fan Motor.
 MBH = 1000 BTUs per hour.

COOLING CAPACITY - THREE MODULE | VRB288L4

| Combination (%) | Outdoor Temperature °F (Dry Bulb) | Indoor Temperature - °F (Dry Bulb / Wet Bulb) | | | | | | | | | | | |
|-----------------|-----------------------------------|---|-------------|------------|-------------|------------|-------------|------------|-------------|------------|-------------|------------|-------------|
| | | 67 / 57 | | 71 / 60 | | 75 / 63 | | 80 / 67 | | 85 / 71 | | 90 / 75 | |
| | | Total Cap. | Power Input | Total Cap. | Power Input | Total Cap. | Power Input | Total Cap. | Power Input | Total Cap. | Power Input | Total Cap. | Power Input |
| | | MBH | kW | MBH | kW | MBH | kW | MBH | kW | MBH | kW | MBH | kW |
| 70% | -10 | 118.9 | 3.8 | 144.4 | 4.7 | 168.5 | 5.6 | 201.6 | 6.8 | 236.2 | 8.1 | 269.3 | 9.5 |
| | -5 | 118.9 | 4.1 | 144.4 | 5.0 | 168.5 | 5.9 | 201.6 | 7.2 | 236.2 | 8.6 | 269.3 | 10.1 |
| | 10 | 118.9 | 4.2 | 144.4 | 5.1 | 168.5 | 6.0 | 201.6 | 7.4 | 236.2 | 8.8 | 269.3 | 10.3 |
| | 15 | 118.9 | 4.3 | 144.4 | 5.2 | 168.5 | 6.2 | 201.6 | 7.5 | 236.2 | 9.0 | 269.3 | 10.5 |
| | 20 | 118.9 | 4.3 | 144.4 | 5.3 | 168.5 | 6.3 | 201.6 | 7.7 | 236.2 | 9.2 | 269.3 | 10.8 |
| | 25 | 118.9 | 4.4 | 144.4 | 5.5 | 168.5 | 6.5 | 201.6 | 7.9 | 236.2 | 9.4 | 269.3 | 11.0 |
| | 30 | 118.9 | 4.6 | 144.4 | 5.6 | 168.5 | 6.6 | 201.6 | 8.0 | 236.2 | 9.6 | 269.3 | 11.3 |
| | 35 | 118.9 | 4.7 | 144.4 | 5.7 | 168.5 | 6.8 | 201.6 | 8.2 | 236.2 | 9.9 | 269.3 | 11.5 |
| | 40 | 118.9 | 4.8 | 144.4 | 5.9 | 168.5 | 6.9 | 201.6 | 8.4 | 236.2 | 10.1 | 269.3 | 11.8 |
| | 45 | 118.9 | 4.9 | 144.4 | 6.0 | 168.5 | 7.1 | 201.6 | 8.7 | 236.2 | 10.4 | 269.3 | 12.1 |
| | 50 | 118.9 | 5.0 | 144.4 | 6.2 | 168.5 | 7.3 | 201.6 | 8.9 | 236.2 | 10.6 | 269.3 | 12.4 |
| | 55 | 118.9 | 5.2 | 144.4 | 6.3 | 168.5 | 7.5 | 201.6 | 9.1 | 236.2 | 10.9 | 269.3 | 12.7 |
| | 60 | 118.9 | 5.3 | 144.4 | 6.5 | 168.5 | 7.7 | 201.6 | 9.4 | 236.2 | 11.2 | 269.3 | 13.1 |
| | 65 | 118.9 | 5.4 | 144.4 | 6.7 | 168.5 | 7.9 | 201.6 | 9.6 | 236.2 | 11.5 | 269.3 | 13.5 |
| | 70 | 118.9 | 5.9 | 144.4 | 7.3 | 168.5 | 8.6 | 201.6 | 10.5 | 236.2 | 12.5 | 269.3 | 14.6 |
| | 75 | 118.9 | 6.5 | 144.4 | 8.0 | 168.5 | 9.4 | 201.6 | 11.5 | 236.2 | 13.8 | 269.3 | 16.1 |
| | 80 | 118.9 | 7.1 | 144.4 | 8.8 | 168.5 | 10.3 | 201.6 | 12.6 | 236.2 | 15.1 | 269.3 | 17.6 |
| | 85 | 118.9 | 7.8 | 144.4 | 9.6 | 168.5 | 11.4 | 201.6 | 13.8 | 236.2 | 16.6 | 269.3 | 19.4 |
| | 90 | 118.9 | 8.6 | 144.4 | 10.5 | 168.5 | 12.4 | 201.6 | 15.2 | 236.2 | 18.2 | 269.3 | 21.2 |
| | 95 | 118.9 | 9.4 | 144.4 | 11.5 | 168.5 | 13.6 | 201.6 | 16.6 | 236.2 | 19.8 | 269.3 | 23.2 |
| 100 | 118.9 | 10.2 | 144.4 | 12.5 | 168.5 | 14.8 | 201.6 | 18.0 | 236.2 | 21.6 | 269.3 | 25.2 | |
| 105 | 118.9 | 11.0 | 144.4 | 13.5 | 168.5 | 16.0 | 201.6 | 19.4 | 236.2 | 23.3 | 269.3 | 27.2 | |
| 110 | 118.9 | 11.8 | 144.4 | 14.5 | 168.5 | 17.1 | 201.6 | 20.8 | 236.2 | 24.9 | 269.1 | 29.1 | |
| 115 | 118.9 | 12.4 | 144.4 | 15.3 | 168.5 | 18.1 | 201.6 | 22.0 | 234.1 | 26.1 | 255.3 | 29.0 | |
| 118 | 118.9 | 12.8 | 144.4 | 15.7 | 168.5 | 18.6 | 201.6 | 22.6 | 224.3 | 25.6 | 238.0 | 27.7 | |
| 125 | 117.1 | 13.1 | 137.3 | 15.5 | 150.4 | 17.1 | 162.1 | 18.7 | 167.0 | 19.7 | 170.2 | 20.6 | |
| 60% | -10 | 101.9 | 3.2 | 123.8 | 4.0 | 144.4 | 4.7 | 172.8 | 5.7 | 202.5 | 6.9 | 230.8 | 8.0 |
| | -5 | 101.9 | 3.4 | 123.8 | 4.2 | 144.4 | 5.0 | 172.8 | 6.1 | 202.5 | 7.3 | 230.8 | 8.5 |
| | 10 | 101.9 | 3.5 | 123.8 | 4.3 | 144.4 | 5.1 | 172.8 | 6.2 | 202.5 | 7.5 | 230.8 | 8.7 |
| | 15 | 101.9 | 3.6 | 123.8 | 4.4 | 144.4 | 5.2 | 172.8 | 6.4 | 202.5 | 7.6 | 230.8 | 8.9 |
| | 20 | 101.9 | 3.7 | 123.8 | 4.5 | 144.4 | 5.3 | 172.8 | 6.5 | 202.5 | 7.8 | 230.8 | 9.1 |
| | 25 | 101.9 | 3.8 | 123.8 | 4.6 | 144.4 | 5.5 | 172.8 | 6.6 | 202.5 | 8.0 | 230.8 | 9.3 |
| | 30 | 101.9 | 3.8 | 123.8 | 4.7 | 144.4 | 5.6 | 172.8 | 6.8 | 202.5 | 8.1 | 230.8 | 9.5 |
| | 35 | 101.9 | 3.9 | 123.8 | 4.8 | 144.4 | 5.7 | 172.8 | 7.0 | 202.5 | 8.3 | 230.8 | 9.7 |
| | 40 | 101.9 | 4.0 | 123.8 | 5.0 | 144.4 | 5.9 | 172.8 | 7.1 | 202.5 | 8.5 | 230.8 | 10.0 |
| | 45 | 101.9 | 4.1 | 123.8 | 5.1 | 144.4 | 6.0 | 172.8 | 7.3 | 202.5 | 8.8 | 230.8 | 10.2 |
| | 50 | 101.9 | 4.2 | 123.8 | 5.2 | 144.4 | 6.2 | 172.8 | 7.5 | 202.5 | 9.0 | 230.8 | 10.5 |
| | 55 | 101.9 | 4.4 | 123.8 | 5.4 | 144.4 | 6.3 | 172.8 | 7.7 | 202.5 | 9.2 | 230.8 | 10.8 |
| | 60 | 101.9 | 4.5 | 123.8 | 5.5 | 144.4 | 6.5 | 172.8 | 7.9 | 202.5 | 9.5 | 230.8 | 11.1 |
| | 65 | 101.9 | 4.6 | 123.8 | 5.6 | 144.4 | 6.7 | 172.8 | 8.1 | 202.5 | 9.7 | 230.8 | 11.4 |
| | 70 | 101.9 | 5.0 | 123.8 | 6.1 | 144.4 | 7.3 | 172.8 | 8.8 | 202.5 | 10.6 | 230.8 | 12.4 |
| | 75 | 101.9 | 5.5 | 123.8 | 6.7 | 144.4 | 8.0 | 172.8 | 9.7 | 202.5 | 11.6 | 230.8 | 13.6 |
| | 80 | 101.9 | 6.0 | 123.8 | 7.4 | 144.4 | 8.7 | 172.8 | 10.7 | 202.5 | 12.8 | 230.8 | 14.9 |
| | 85 | 101.9 | 6.6 | 123.8 | 8.1 | 144.4 | 9.6 | 172.8 | 11.7 | 202.5 | 14.0 | 230.8 | 16.4 |
| | 90 | 101.9 | 7.2 | 123.8 | 8.9 | 144.4 | 10.5 | 172.8 | 12.8 | 202.5 | 15.4 | 230.8 | 17.9 |
| | 95 | 101.9 | 7.9 | 123.8 | 9.7 | 144.4 | 11.5 | 172.8 | 14.0 | 202.5 | 16.8 | 230.8 | 19.6 |
| 100 | 101.9 | 8.6 | 123.8 | 10.6 | 144.4 | 12.5 | 172.8 | 15.2 | 202.5 | 18.2 | 230.8 | 21.3 | |
| 105 | 101.9 | 9.3 | 123.8 | 11.4 | 144.4 | 13.5 | 172.8 | 16.4 | 202.5 | 19.7 | 230.8 | 23.0 | |
| 110 | 101.9 | 9.9 | 123.8 | 12.2 | 144.4 | 14.4 | 172.8 | 17.6 | 202.5 | 21.1 | 230.8 | 24.6 | |
| 115 | 101.9 | 10.5 | 123.8 | 12.9 | 144.4 | 15.3 | 172.8 | 18.6 | 202.5 | 22.3 | 230.8 | 26.0 | |
| 118 | 101.9 | 10.8 | 123.8 | 13.3 | 144.4 | 15.7 | 172.8 | 19.1 | 202.5 | 22.9 | 222.8 | 25.7 | |
| 125 | 101.9 | 11.3 | 123.8 | 13.9 | 139.2 | 15.7 | 155.6 | 17.8 | 166.4 | 19.4 | 170.2 | 20.3 | |

NOTE - Power Input = Compressor + Outdoor Fan Motor.
 MBH = 1000 BTUs per hour.

COOLING CAPACITY - THREE MODULE | VRB288L4

| Combination (%) | Outdoor Temperature °F (Dry Bulb) | Indoor Temperature - °F (Dry Bulb / Wet Bulb) | | | | | | | | | | | |
|-----------------|-----------------------------------|---|-------------|------------|-------------|------------|-------------|------------|-------------|------------|-------------|------------|-------------|
| | | 67 / 57 | | 71 / 60 | | 75 / 63 | | 80 / 67 | | 85 / 71 | | 90 / 75 | |
| | | Total Cap. | Power Input | Total Cap. | Power Input | Total Cap. | Power Input | Total Cap. | Power Input | Total Cap. | Power Input | Total Cap. | Power Input |
| | | MBH | KW | MBH | KW | MBH | KW | MBH | KW | MBH | KW | MBH | KW |
| 50% | -10 | 81.1 | 2.5 | 103.2 | 3.3 | 120.4 | 3.9 | 144.0 | 4.7 | 168.7 | 5.6 | 192.4 | 6.6 |
| | -5 | 84.9 | 2.8 | 103.2 | 3.5 | 120.4 | 4.1 | 144.0 | 5.0 | 168.7 | 6.0 | 192.4 | 7.0 |
| | 10 | 84.9 | 2.9 | 103.2 | 3.6 | 120.4 | 4.2 | 144.0 | 5.1 | 168.7 | 6.1 | 192.4 | 7.2 |
| | 15 | 84.9 | 3.0 | 103.2 | 3.6 | 120.4 | 4.3 | 144.0 | 5.2 | 168.7 | 6.3 | 192.4 | 7.3 |
| | 20 | 84.9 | 3.0 | 103.2 | 3.7 | 120.4 | 4.4 | 144.0 | 5.3 | 168.7 | 6.4 | 192.4 | 7.5 |
| | 25 | 84.9 | 3.1 | 103.2 | 3.8 | 120.4 | 4.5 | 144.0 | 5.5 | 168.7 | 6.5 | 192.4 | 7.6 |
| | 30 | 84.9 | 3.2 | 103.2 | 3.9 | 120.4 | 4.6 | 144.0 | 5.6 | 168.7 | 6.7 | 192.4 | 7.8 |
| | 35 | 84.9 | 3.2 | 103.2 | 4.0 | 120.4 | 4.7 | 144.0 | 5.7 | 168.7 | 6.9 | 192.4 | 8.0 |
| | 40 | 84.9 | 3.3 | 103.2 | 4.1 | 120.4 | 4.8 | 144.0 | 5.9 | 168.7 | 7.0 | 192.4 | 8.2 |
| | 45 | 84.9 | 3.4 | 103.2 | 4.2 | 120.4 | 4.9 | 144.0 | 6.0 | 168.7 | 7.2 | 192.4 | 8.4 |
| | 50 | 84.9 | 3.5 | 103.2 | 4.3 | 120.4 | 5.1 | 144.0 | 6.2 | 168.7 | 7.4 | 192.4 | 8.6 |
| | 55 | 84.9 | 3.6 | 103.2 | 4.4 | 120.4 | 5.2 | 144.0 | 6.3 | 168.7 | 7.6 | 192.4 | 8.9 |
| | 60 | 84.9 | 3.7 | 103.2 | 4.5 | 120.4 | 5.3 | 144.0 | 6.5 | 168.7 | 7.8 | 192.4 | 9.1 |
| | 65 | 84.9 | 3.8 | 103.2 | 4.6 | 120.4 | 5.5 | 144.0 | 6.7 | 168.7 | 8.0 | 192.4 | 9.3 |
| | 70 | 84.9 | 4.1 | 103.2 | 5.1 | 120.4 | 6.0 | 144.0 | 7.3 | 168.7 | 8.7 | 192.4 | 10.2 |
| | 75 | 84.9 | 4.5 | 103.2 | 5.5 | 120.4 | 6.5 | 144.0 | 8.0 | 168.7 | 9.6 | 192.4 | 11.2 |
| | 80 | 84.9 | 5.0 | 103.2 | 6.1 | 120.4 | 7.2 | 144.0 | 8.8 | 168.7 | 10.5 | 192.4 | 12.3 |
| | 85 | 84.9 | 5.4 | 103.2 | 6.7 | 120.4 | 7.9 | 144.0 | 9.6 | 168.7 | 11.5 | 192.4 | 13.4 |
| | 90 | 84.9 | 6.0 | 103.2 | 7.3 | 120.4 | 8.6 | 144.0 | 10.5 | 168.7 | 12.6 | 192.4 | 14.7 |
| | 95 | 84.9 | 6.5 | 103.2 | 8.0 | 120.4 | 9.4 | 144.0 | 11.5 | 168.7 | 13.8 | 192.4 | 16.1 |
| 100 | 84.9 | 7.1 | 103.2 | 8.7 | 120.4 | 10.3 | 144.0 | 12.5 | 168.7 | 15.0 | 192.4 | 17.5 | |
| 105 | 84.9 | 7.6 | 103.2 | 9.4 | 120.4 | 11.1 | 144.0 | 13.5 | 168.7 | 16.2 | 192.4 | 18.9 | |
| 110 | 84.9 | 8.2 | 103.2 | 10.0 | 120.4 | 11.9 | 144.0 | 14.4 | 168.7 | 17.3 | 192.4 | 20.2 | |
| 115 | 84.9 | 8.6 | 103.2 | 10.6 | 120.4 | 12.5 | 144.0 | 15.3 | 168.7 | 18.3 | 192.4 | 21.4 | |
| 118 | 84.9 | 8.9 | 103.2 | 10.9 | 120.4 | 12.9 | 144.0 | 15.7 | 168.7 | 18.8 | 192.4 | 22.0 | |
| 125 | 84.9 | 9.3 | 103.2 | 11.4 | 120.4 | 13.4 | 141.0 | 16.0 | 157.1 | 18.1 | 166.1 | 19.6 | |

NOTE - Power Input = Compressor + Outdoor Fan Motor.
 MBH = 1000 BTUs per hour.

HEATING CAPACITY - THREE MODULE | VRB288L4

| Combination (%) | Outdoor Temperature (°F) | | Indoor Temperature - °F Dry Bulb | | | | | | | | | | | |
|-----------------|--------------------------|----------|----------------------------------|----------------|----------------|----------------|----------------|----------------|----------------|----------------|----------------|----------------|----------------|----------------|
| | | | 61 | | 64 | | 67 | | 70 | | 73 | | 75 | |
| | Dry Bulb | Wet Bulb | Total Cap. MBH | Power Input kW | Total Cap. MBH | Power Input kW | Total Cap. MBH | Power Input kW | Total Cap. MBH | Power Input kW | Total Cap. MBH | Power Input kW | Total Cap. MBH | Power Input kW |
| 130% | -22 | -23 | 213.3 | 35.2 | 208.9 | 36.1 | 205.1 | 37.0 | 201.3 | 37.9 | 197.8 | 38.9 | 195.6 | 39.6 |
| | -17 | -18 | 258.5 | 37.4 | 253.4 | 38.3 | 248.9 | 39.2 | 244.6 | 40.2 | 240.6 | 41.2 | 238.3 | 41.9 |
| | -13 | -14 | 296.8 | 39.2 | 292.7 | 40.2 | 289.1 | 41.3 | 285.6 | 42.4 | 282.4 | 43.6 | 280.5 | 44.3 |
| | -8 | -9 | 314.0 | 40.2 | 310.7 | 41.3 | 307.9 | 42.4 | 305.1 | 43.6 | 302.6 | 44.9 | 301.1 | 45.7 |
| | -3 | -4 | 326.7 | 40.9 | 323.8 | 42.0 | 321.3 | 43.2 | 318.9 | 44.4 | 316.7 | 45.7 | 315.5 | 46.6 |
| | 2 | 1 | 338.7 | 42.1 | 336.0 | 43.3 | 333.6 | 44.5 | 331.3 | 45.7 | 329.2 | 47.1 | 328.0 | 48.0 |
| | 7 | 6 | 352.5 | 42.4 | 349.9 | 43.6 | 347.5 | 44.8 | 345.3 | 46.1 | 343.2 | 47.4 | 342.0 | 48.3 |
| | 12 | 10 | 365.7 | 42.8 | 363.1 | 44.0 | 360.7 | 45.2 | 358.5 | 46.5 | 356.4 | 47.9 | 355.1 | 48.8 |
| | 17 | 15 | 385.1 | 43.5 | 382.4 | 44.7 | 380.1 | 45.9 | 377.7 | 47.2 | 375.6 | 48.6 | 373.7 | 48.7 |
| | 22 | 20 | 406.1 | 44.3 | 403.4 | 45.5 | 401.0 | 46.7 | 398.6 | 48.1 | 394.6 | 47.9 | 377.4 | 44.9 |
| | 27 | 24 | 425.7 | 45.1 | 422.9 | 46.3 | 420.3 | 47.5 | 415.1 | 47.5 | 394.6 | 44.0 | 377.4 | 41.2 |
| | 32 | 29 | 450.1 | 46.1 | 447.2 | 47.4 | 440.6 | 46.8 | 421.2 | 43.9 | 394.6 | 39.6 | 377.4 | 36.9 |
| | 37 | 34 | 478.7 | 47.4 | 466.2 | 46.0 | 447.8 | 43.3 | 421.2 | 39.3 | 394.6 | 35.4 | 377.4 | 33.3 |
| | 42 | 38 | 491.2 | 45.8 | 472.9 | 43.3 | 447.8 | 39.7 | 421.2 | 35.9 | 394.6 | 32.8 | 377.4 | 31.0 |
| | 47 | 43 | 499.5 | 42.4 | 472.9 | 38.7 | 447.8 | 35.4 | 421.2 | 32.5 | 394.6 | 29.9 | 377.4 | 28.3 |
| | 52 | 47 | 499.5 | 38.8 | 472.9 | 35.4 | 447.8 | 32.7 | 421.2 | 30.2 | 394.6 | 27.8 | 377.4 | 26.3 |
| | 57 | 52 | 499.5 | 34.6 | 472.9 | 32.1 | 447.8 | 29.8 | 421.2 | 27.5 | 394.6 | 25.3 | 377.4 | 23.9 |
| | 62 | 56 | 499.5 | 32.1 | 472.9 | 29.7 | 447.8 | 27.7 | 421.2 | 25.5 | 394.6 | 23.5 | 377.4 | 22.2 |
| | 67 | 61 | 499.5 | 29.1 | 472.9 | 27.0 | 447.8 | 25.1 | 421.2 | 23.1 | 394.6 | 21.3 | 377.4 | 20.3 |
| | 72 | 66 | 499.5 | 26.3 | 472.9 | 24.4 | 447.8 | 22.6 | 421.2 | 20.9 | 394.6 | 19.4 | 377.4 | 18.5 |
| 75 | 69 | 499.5 | 24.7 | 472.9 | 22.9 | 447.8 | 21.2 | 421.2 | 19.8 | 394.6 | 18.3 | 377.4 | 17.5 | |
| 80 | 74 | 499.5 | 22.3 | 472.9 | 20.7 | 447.8 | 19.3 | 421.2 | 18.0 | 394.6 | 16.8 | 377.4 | 16.0 | |
| 120% | -22 | -23 | 210.5 | 35.6 | 206.2 | 36.5 | 202.5 | 37.4 | 198.9 | 38.4 | 195.5 | 39.4 | 193.5 | 40.1 |
| | -17 | -18 | 254.3 | 37.9 | 249.5 | 38.8 | 245.3 | 39.7 | 241.3 | 40.8 | 237.5 | 41.8 | 235.3 | 42.5 |
| | -13 | -14 | 292.7 | 39.9 | 288.9 | 40.9 | 285.5 | 42.0 | 282.3 | 43.1 | 279.3 | 44.3 | 277.6 | 45.1 |
| | -8 | -9 | 310.3 | 40.9 | 307.3 | 42.1 | 304.7 | 43.2 | 302.1 | 44.4 | 299.9 | 45.7 | 298.6 | 46.6 |
| | -3 | -4 | 323.2 | 41.7 | 320.6 | 42.9 | 318.3 | 44.1 | 316.1 | 45.3 | 314.2 | 46.7 | 313.0 | 47.5 |
| | 2 | 1 | 335.3 | 43.0 | 332.8 | 44.2 | 330.7 | 45.4 | 328.6 | 46.7 | 326.7 | 48.1 | 325.3 | 48.9 |
| | 7 | 6 | 349.2 | 43.3 | 346.7 | 44.6 | 344.5 | 45.8 | 342.5 | 47.1 | 340.6 | 48.5 | 341.4 | 49.6 |
| | 12 | 10 | 362.3 | 43.8 | 359.8 | 45.0 | 357.7 | 46.2 | 355.6 | 47.6 | 356.0 | 49.2 | 348.3 | 47.9 |
| | 17 | 15 | 381.6 | 44.5 | 379.1 | 45.8 | 376.9 | 47.0 | 374.7 | 48.4 | 364.2 | 46.5 | 348.3 | 43.7 |
| | 22 | 20 | 402.5 | 45.4 | 399.9 | 46.7 | 397.6 | 47.9 | 388.8 | 46.5 | 364.2 | 42.3 | 348.3 | 39.6 |
| | 27 | 24 | 421.8 | 46.3 | 421.3 | 47.8 | 413.4 | 46.7 | 388.8 | 42.7 | 364.2 | 38.7 | 348.3 | 36.1 |
| | 32 | 29 | 448.8 | 47.3 | 436.5 | 45.8 | 413.4 | 42.2 | 388.8 | 38.4 | 364.2 | 34.7 | 348.3 | 32.8 |
| | 37 | 34 | 461.1 | 44.7 | 436.5 | 41.1 | 413.4 | 37.7 | 388.8 | 34.3 | 364.2 | 31.6 | 348.3 | 29.9 |
| | 42 | 38 | 461.1 | 41.0 | 436.5 | 37.6 | 413.4 | 34.5 | 388.8 | 31.8 | 364.2 | 29.4 | 348.3 | 27.8 |
| | 47 | 43 | 461.1 | 36.6 | 436.5 | 33.6 | 413.4 | 31.3 | 388.8 | 29.0 | 364.2 | 26.8 | 348.3 | 25.4 |
| | 52 | 47 | 461.1 | 33.6 | 436.5 | 31.2 | 413.4 | 29.1 | 388.8 | 27.0 | 364.2 | 24.9 | 348.3 | 23.6 |
| | 57 | 52 | 461.1 | 30.5 | 436.5 | 28.4 | 413.4 | 26.5 | 388.8 | 24.5 | 364.2 | 22.7 | 348.3 | 21.6 |
| | 62 | 56 | 461.1 | 28.3 | 436.5 | 26.3 | 413.4 | 24.6 | 388.8 | 22.7 | 364.2 | 21.1 | 348.3 | 20.1 |
| | 67 | 61 | 461.1 | 25.6 | 436.5 | 23.8 | 413.4 | 22.2 | 388.8 | 20.7 | 364.2 | 19.3 | 348.3 | 18.3 |
| | 72 | 66 | 461.1 | 23.1 | 436.5 | 21.5 | 413.4 | 20.1 | 388.8 | 18.8 | 364.2 | 17.5 | 348.3 | 16.7 |
| 75 | 69 | 461.1 | 21.7 | 436.5 | 20.2 | 413.4 | 19.0 | 388.8 | 17.8 | 364.2 | 16.6 | 348.3 | 15.8 | |
| 80 | 74 | 461.1 | 19.6 | 436.5 | 18.4 | 413.4 | 17.4 | 388.8 | 16.2 | 364.2 | 15.2 | 348.3 | 14.5 | |

NOTE - Power Input = Compressor + Outdoor Fan Motor.
 MBH = 1000 BTUs per hour.

HEATING CAPACITY - THREE MODULE | VRB288L4

| Combination (%) | Outdoor Temperature (°F) | | Indoor Temperature - °F Dry Bulb | | | | | | | | | | | |
|-----------------|--------------------------|----------|----------------------------------|----------------|----------------|----------------|----------------|----------------|----------------|----------------|----------------|----------------|----------------|----------------|
| | | | 61 | | 64 | | 67 | | 70 | | 73 | | 75 | |
| | Dry Bulb | Wet Bulb | Total Cap. MBH | Power Input kW | Total Cap. MBH | Power Input kW | Total Cap. MBH | Power Input kW | Total Cap. MBH | Power Input kW | Total Cap. MBH | Power Input kW | Total Cap. MBH | Power Input kW |
| 110% | -22 | -23 | 207.2 | 36.1 | 203.2 | 37.0 | 199.8 | 37.9 | 196.4 | 38.9 | 193.3 | 40.0 | 191.4 | 40.6 |
| | -17 | -18 | 250.0 | 38.5 | 245.5 | 39.4 | 241.6 | 40.4 | 237.8 | 41.4 | 234.3 | 42.5 | 232.2 | 43.2 |
| | -13 | -14 | 288.5 | 40.7 | 285.0 | 41.8 | 281.9 | 42.8 | 279.0 | 44.0 | 276.3 | 45.2 | 274.7 | 46.0 |
| | -8 | -9 | 306.6 | 41.9 | 303.8 | 43.0 | 301.4 | 44.2 | 299.2 | 45.4 | 297.2 | 46.8 | 296.0 | 47.6 |
| | -3 | -4 | 319.7 | 42.7 | 317.3 | 43.9 | 315.3 | 45.1 | 313.3 | 46.4 | 311.6 | 47.8 | 309.0 | 48.3 |
| | 2 | 1 | 331.9 | 44.0 | 329.6 | 45.3 | 327.7 | 46.5 | 325.8 | 47.9 | 323.4 | 49.1 | 319.3 | 48.5 |
| | 7 | 6 | 345.7 | 44.5 | 343.5 | 45.7 | 341.5 | 47.0 | 339.7 | 48.3 | 333.9 | 47.8 | 319.3 | 45.3 |
| | 12 | 10 | 358.8 | 45.0 | 356.6 | 46.2 | 354.6 | 47.5 | 356.4 | 48.9 | 333.9 | 44.9 | 319.3 | 42.3 |
| | 17 | 15 | 378.0 | 45.8 | 375.7 | 47.1 | 374.2 | 47.8 | 356.4 | 44.7 | 333.9 | 40.8 | 319.3 | 38.3 |
| | 22 | 20 | 398.7 | 46.7 | 394.8 | 46.9 | 378.9 | 44.3 | 356.4 | 40.5 | 333.9 | 36.8 | 319.3 | 34.6 |
| | 27 | 24 | 415.9 | 46.4 | 400.1 | 44.0 | 378.9 | 40.6 | 356.4 | 37.0 | 333.9 | 33.7 | 319.3 | 31.9 |
| | 32 | 29 | 422.6 | 43.0 | 400.1 | 39.6 | 378.9 | 36.4 | 356.4 | 33.3 | 333.9 | 30.8 | 319.3 | 29.2 |
| | 37 | 34 | 422.6 | 38.5 | 400.1 | 35.3 | 378.9 | 32.7 | 356.4 | 30.3 | 333.9 | 28.1 | 319.3 | 26.7 |
| | 42 | 38 | 422.6 | 35.1 | 400.1 | 32.5 | 378.9 | 30.4 | 356.4 | 28.2 | 333.9 | 26.2 | 319.3 | 24.9 |
| | 47 | 43 | 422.6 | 31.7 | 400.1 | 29.6 | 378.9 | 27.7 | 356.4 | 25.8 | 333.9 | 23.9 | 319.3 | 22.7 |
| | 52 | 47 | 422.6 | 29.4 | 400.1 | 27.5 | 378.9 | 25.8 | 356.4 | 23.9 | 333.9 | 22.2 | 319.3 | 21.2 |
| | 57 | 52 | 422.6 | 26.8 | 400.1 | 25.0 | 378.9 | 23.4 | 356.4 | 21.8 | 333.9 | 20.3 | 319.3 | 19.4 |
| | 62 | 56 | 422.6 | 24.8 | 400.1 | 23.1 | 378.9 | 21.7 | 356.4 | 20.3 | 333.9 | 19.0 | 319.3 | 18.1 |
| | 67 | 61 | 422.6 | 22.4 | 400.1 | 20.9 | 378.9 | 19.7 | 356.4 | 18.5 | 333.9 | 17.3 | 319.3 | 16.5 |
| | 72 | 66 | 422.6 | 20.2 | 400.1 | 19.0 | 378.9 | 18.0 | 356.4 | 16.9 | 333.9 | 15.8 | 319.3 | 15.1 |
| 75 | 69 | 422.6 | 19.1 | 400.1 | 18.0 | 378.9 | 17.0 | 356.4 | 15.9 | 333.9 | 14.9 | 319.3 | 14.3 | |
| 80 | 74 | 422.6 | 17.4 | 400.1 | 16.4 | 378.9 | 15.5 | 356.4 | 14.6 | 333.9 | 13.7 | 319.3 | 13.2 | |
| 100% | -22 | -23 | 203.6 | 36.7 | 199.9 | 37.6 | 196.7 | 38.5 | 193.5 | 39.5 | 190.6 | 40.6 | 188.9 | 41.3 |
| | -17 | -18 | 245.5 | 39.2 | 241.3 | 40.2 | 237.7 | 41.1 | 234.2 | 42.2 | 231.0 | 43.3 | 229.0 | 44.0 |
| | -13 | -14 | 284.2 | 41.6 | 281.0 | 42.7 | 278.2 | 43.8 | 275.6 | 45.0 | 273.2 | 46.3 | 271.8 | 47.1 |
| | -8 | -9 | 302.8 | 43.0 | 300.3 | 44.2 | 298.2 | 45.4 | 296.3 | 46.7 | 296.6 | 48.4 | 290.3 | 47.7 |
| | -3 | -4 | 316.2 | 43.9 | 314.1 | 45.2 | 312.3 | 46.4 | 310.6 | 47.8 | 303.5 | 47.2 | 290.3 | 45.1 |
| | 2 | 1 | 328.4 | 45.4 | 326.4 | 46.7 | 324.7 | 47.9 | 324.0 | 48.8 | 303.5 | 45.3 | 290.3 | 43.1 |
| | 7 | 6 | 342.2 | 45.9 | 340.2 | 47.2 | 341.3 | 48.7 | 324.0 | 45.6 | 303.5 | 42.1 | 290.3 | 39.8 |
| | 12 | 10 | 355.2 | 46.4 | 355.3 | 48.0 | 344.5 | 46.2 | 324.0 | 42.7 | 303.5 | 39.2 | 290.3 | 36.9 |
| | 17 | 15 | 377.3 | 47.5 | 363.7 | 45.3 | 344.5 | 42.1 | 324.0 | 38.6 | 303.5 | 35.3 | 290.3 | 33.3 |
| | 22 | 20 | 384.2 | 44.5 | 363.7 | 41.1 | 344.5 | 38.0 | 324.0 | 34.8 | 303.5 | 32.1 | 290.3 | 30.5 |
| | 27 | 24 | 384.2 | 40.7 | 363.7 | 37.6 | 344.5 | 34.7 | 324.0 | 32.0 | 303.5 | 29.7 | 290.3 | 28.3 |
| | 32 | 29 | 384.2 | 36.5 | 363.7 | 33.7 | 344.5 | 31.5 | 324.0 | 29.3 | 303.5 | 27.3 | 290.3 | 26.0 |
| | 37 | 34 | 384.2 | 32.7 | 363.7 | 30.6 | 344.5 | 28.7 | 324.0 | 26.8 | 303.5 | 24.9 | 290.3 | 23.7 |
| | 42 | 38 | 384.2 | 30.4 | 363.7 | 28.4 | 344.5 | 26.7 | 324.0 | 24.9 | 303.5 | 23.2 | 290.3 | 22.1 |
| | 47 | 43 | 384.2 | 27.7 | 363.7 | 25.9 | 344.5 | 24.3 | 324.0 | 22.7 | 303.5 | 21.3 | 290.3 | 20.4 |
| | 52 | 47 | 384.2 | 25.7 | 363.7 | 24.1 | 344.5 | 22.6 | 324.0 | 21.2 | 303.5 | 19.9 | 290.3 | 19.1 |
| | 57 | 52 | 384.2 | 23.3 | 363.7 | 21.8 | 344.5 | 20.6 | 324.0 | 19.4 | 303.5 | 18.2 | 290.3 | 17.4 |
| | 62 | 56 | 384.2 | 21.5 | 363.7 | 20.3 | 344.5 | 19.2 | 324.0 | 18.1 | 303.5 | 16.9 | 290.3 | 16.2 |
| | 67 | 61 | 384.2 | 19.6 | 363.7 | 18.5 | 344.5 | 17.5 | 324.0 | 16.5 | 303.5 | 15.4 | 290.3 | 14.8 |
| | 72 | 66 | 384.2 | 17.8 | 363.7 | 16.8 | 344.5 | 15.9 | 324.0 | 15.0 | 303.5 | 14.1 | 290.3 | 13.6 |
| 75 | 69 | 384.2 | 16.8 | 363.7 | 15.9 | 344.5 | 15.1 | 324.0 | 14.2 | 303.5 | 13.5 | 290.3 | 12.9 | |
| 80 | 74 | 384.2 | 15.3 | 363.7 | 14.5 | 344.5 | 13.8 | 324.0 | 13.1 | 303.5 | 12.4 | 290.3 | 11.9 | |

NOTE - Power Input = Compressor + Outdoor Fan Motor.
 MBH = 1000 BTUs per hour.

HEATING CAPACITY - THREE MODULE | VRB288L4

| Combination (%) | Outdoor Temperature (°F) | | Indoor Temperature - °F Dry Bulb | | | | | | | | | | | |
|-----------------|--------------------------|----------|----------------------------------|----------------|----------------|----------------|----------------|----------------|----------------|----------------|----------------|----------------|----------------|----------------|
| | | | 61 | | 64 | | 67 | | 70 | | 73 | | 75 | |
| | Dry Bulb | Wet Bulb | Total Cap. MBH | Power Input kW | Total Cap. MBH | Power Input kW | Total Cap. MBH | Power Input kW | Total Cap. MBH | Power Input kW | Total Cap. MBH | Power Input kW | Total Cap. MBH | Power Input kW |
| 90% | -22 | -23 | 199.9 | 37.4 | 196.4 | 38.3 | 193.4 | 39.3 | 190.5 | 40.3 | 187.8 | 41.4 | 186.2 | 42.1 |
| | -17 | -18 | 240.6 | 40.1 | 236.8 | 41.1 | 233.6 | 42.1 | 230.4 | 43.2 | 227.5 | 44.3 | 225.8 | 45.0 |
| | -13 | -14 | 279.7 | 42.8 | 276.9 | 44.0 | 274.5 | 45.1 | 272.2 | 46.3 | 271.6 | 47.7 | 261.2 | 46.5 |
| | -8 | -9 | 298.9 | 44.4 | 296.8 | 45.6 | 295.1 | 46.9 | 291.6 | 47.3 | 273.2 | 44.7 | 261.2 | 43.0 |
| | -3 | -4 | 312.7 | 45.5 | 310.9 | 46.8 | 310.0 | 47.6 | 291.6 | 44.7 | 273.2 | 41.9 | 261.2 | 40.1 |
| | 2 | 1 | 325.0 | 47.0 | 327.4 | 48.7 | 310.0 | 45.8 | 291.6 | 42.8 | 273.2 | 39.8 | 261.2 | 37.8 |
| | 7 | 6 | 341.9 | 47.9 | 327.4 | 45.5 | 310.0 | 42.6 | 291.6 | 39.5 | 273.2 | 36.4 | 261.2 | 34.6 |
| | 12 | 10 | 345.8 | 45.6 | 327.4 | 42.6 | 310.0 | 39.7 | 291.6 | 36.6 | 273.2 | 33.7 | 261.2 | 32.1 |
| | 17 | 15 | 345.8 | 41.6 | 327.4 | 38.5 | 310.0 | 35.7 | 291.6 | 33.0 | 273.2 | 30.7 | 261.2 | 29.3 |
| | 22 | 20 | 345.8 | 37.5 | 327.4 | 34.7 | 310.0 | 32.3 | 291.6 | 30.2 | 273.2 | 28.1 | 261.2 | 26.9 |
| | 27 | 24 | 345.8 | 34.2 | 327.4 | 31.8 | 310.0 | 29.9 | 291.6 | 28.0 | 273.2 | 26.1 | 261.2 | 24.9 |
| | 32 | 29 | 345.8 | 31.0 | 327.4 | 29.1 | 310.0 | 27.4 | 291.6 | 25.7 | 273.2 | 24.0 | 261.2 | 22.9 |
| | 37 | 34 | 345.8 | 28.2 | 327.4 | 26.6 | 310.0 | 25.0 | 291.6 | 23.4 | 273.2 | 21.9 | 261.2 | 21.1 |
| | 42 | 38 | 345.8 | 26.3 | 327.4 | 24.7 | 310.0 | 23.3 | 291.6 | 21.9 | 273.2 | 20.6 | 261.2 | 19.8 |
| | 47 | 43 | 345.8 | 23.9 | 327.4 | 22.5 | 310.0 | 21.3 | 291.6 | 20.1 | 273.2 | 18.9 | 261.2 | 18.2 |
| | 52 | 47 | 345.8 | 22.2 | 327.4 | 20.9 | 310.0 | 19.9 | 291.6 | 18.8 | 273.2 | 17.7 | 261.2 | 17.0 |
| | 57 | 52 | 345.8 | 20.2 | 327.4 | 19.2 | 310.0 | 18.2 | 291.6 | 17.2 | 273.2 | 16.1 | 261.2 | 15.5 |
| | 62 | 56 | 345.8 | 18.8 | 327.4 | 17.8 | 310.0 | 16.9 | 291.6 | 16.0 | 273.2 | 15.0 | 261.2 | 14.4 |
| | 67 | 61 | 345.8 | 17.1 | 327.4 | 16.2 | 310.0 | 15.4 | 291.6 | 14.5 | 273.2 | 13.8 | 261.2 | 13.3 |
| | 72 | 66 | 345.8 | 15.6 | 327.4 | 14.8 | 310.0 | 14.0 | 291.6 | 13.4 | 273.2 | 12.7 | 261.2 | 12.2 |
| 75 | 69 | 345.8 | 14.7 | 327.4 | 14.0 | 310.0 | 13.4 | 291.6 | 12.7 | 273.2 | 12.0 | 261.2 | 11.6 | |
| 80 | 74 | 345.8 | 13.4 | 327.4 | 12.9 | 310.0 | 12.3 | 291.6 | 11.7 | 273.2 | 11.0 | 261.2 | 10.7 | |
| 80% | -22 | -23 | 195.8 | 38.3 | 192.6 | 39.3 | 189.9 | 40.2 | 187.2 | 41.3 | 184.8 | 42.4 | 183.3 | 43.1 |
| | -17 | -18 | 235.5 | 41.3 | 232.1 | 42.3 | 229.2 | 43.3 | 226.4 | 44.4 | 223.8 | 45.6 | 222.3 | 46.3 |
| | -13 | -14 | 275.1 | 44.4 | 272.7 | 45.6 | 273.6 | 47.2 | 259.2 | 45.5 | 242.8 | 43.3 | 232.2 | 41.9 |
| | -8 | -9 | 295.1 | 46.2 | 291.0 | 46.4 | 275.6 | 44.3 | 259.2 | 42.0 | 242.8 | 39.7 | 232.2 | 38.3 |
| | -3 | -4 | 307.4 | 46.3 | 291.0 | 43.8 | 275.6 | 41.6 | 259.2 | 39.1 | 242.8 | 36.7 | 232.2 | 35.3 |
| | 2 | 1 | 307.4 | 44.5 | 291.0 | 41.9 | 275.6 | 39.5 | 259.2 | 36.9 | 242.8 | 34.5 | 232.2 | 32.9 |
| | 7 | 6 | 307.4 | 41.3 | 291.0 | 38.6 | 275.6 | 36.1 | 259.2 | 33.7 | 242.8 | 31.5 | 232.2 | 30.1 |
| | 12 | 10 | 307.4 | 38.4 | 291.0 | 35.8 | 275.6 | 33.5 | 259.2 | 31.3 | 242.8 | 29.3 | 232.2 | 28.0 |
| | 17 | 15 | 307.4 | 34.6 | 291.0 | 32.3 | 275.6 | 30.4 | 259.2 | 28.5 | 242.8 | 26.7 | 232.2 | 25.6 |
| | 22 | 20 | 307.4 | 31.3 | 291.0 | 29.5 | 275.6 | 27.8 | 259.2 | 26.2 | 242.8 | 24.5 | 232.2 | 23.4 |
| | 27 | 24 | 307.4 | 29.0 | 291.0 | 27.4 | 275.6 | 25.9 | 259.2 | 24.3 | 242.8 | 22.8 | 232.2 | 21.9 |
| | 32 | 29 | 307.4 | 26.5 | 291.0 | 25.1 | 275.6 | 23.7 | 259.2 | 22.3 | 242.8 | 21.0 | 232.2 | 20.3 |
| | 37 | 34 | 307.4 | 24.2 | 291.0 | 22.9 | 275.6 | 21.7 | 259.2 | 20.5 | 242.8 | 19.4 | 232.2 | 18.7 |
| | 42 | 38 | 307.4 | 22.5 | 291.0 | 21.3 | 275.6 | 20.3 | 259.2 | 19.3 | 242.8 | 18.2 | 232.2 | 17.5 |
| | 47 | 43 | 307.4 | 20.6 | 291.0 | 19.6 | 275.6 | 18.7 | 259.2 | 17.7 | 242.8 | 16.7 | 232.2 | 16.1 |
| | 52 | 47 | 307.4 | 19.2 | 291.0 | 18.3 | 275.6 | 17.4 | 259.2 | 16.5 | 242.8 | 15.6 | 232.2 | 15.0 |
| | 57 | 52 | 307.4 | 17.5 | 291.0 | 16.7 | 275.6 | 15.9 | 259.2 | 15.0 | 242.8 | 14.2 | 232.2 | 13.8 |
| | 62 | 56 | 307.4 | 16.3 | 291.0 | 15.5 | 275.6 | 14.8 | 259.2 | 14.0 | 242.8 | 13.3 | 232.2 | 12.8 |
| | 67 | 61 | 307.4 | 14.8 | 291.0 | 14.1 | 275.6 | 13.5 | 259.2 | 12.9 | 242.8 | 12.2 | 232.2 | 11.7 |
| | 72 | 66 | 307.4 | 13.5 | 291.0 | 13.0 | 275.6 | 12.4 | 259.2 | 11.8 | 242.8 | 11.2 | 232.2 | 10.9 |
| 75 | 69 | 307.4 | 12.9 | 291.0 | 12.3 | 275.6 | 11.8 | 259.2 | 11.2 | 242.8 | 10.8 | 232.2 | 10.4 | |
| 80 | 74 | 307.4 | 11.8 | 291.0 | 11.3 | 275.6 | 10.8 | 259.2 | 10.4 | 242.8 | 9.9 | 232.2 | 9.5 | |

NOTE - Power Input = Compressor + Outdoor Fan Motor.
 MBH = 1000 BTUs per hour.

HEATING CAPACITY - THREE MODULE | VRB288L4

| Combination (%) | Outdoor Temperature (°F) | | Indoor Temperature - °F Dry Bulb | | | | | | | | | | | |
|-----------------|--------------------------|----------|----------------------------------|----------------|----------------|----------------|----------------|----------------|----------------|----------------|----------------|----------------|----------------|----------------|
| | | | 61 | | 64 | | 67 | | 70 | | 73 | | 75 | |
| | Dry Bulb | Wet Bulb | Total Cap. MBH | Power Input kW | Total Cap. MBH | Power Input kW | Total Cap. MBH | Power Input kW | Total Cap. MBH | Power Input kW | Total Cap. MBH | Power Input kW | Total Cap. MBH | Power Input kW |
| 70% | -22 | -23 | 191.3 | 39.4 | 188.5 | 40.5 | 186.1 | 41.4 | 183.7 | 42.5 | 181.6 | 43.7 | 180.3 | 44.4 |
| | -17 | -18 | 230.0 | 42.7 | 227.1 | 43.8 | 224.6 | 44.9 | 222.7 | 46.1 | 212.5 | 45.4 | 203.2 | 44.3 |
| | -13 | -14 | 269.0 | 45.7 | 254.6 | 44.0 | 241.1 | 42.3 | 226.8 | 40.5 | 212.5 | 38.9 | 203.2 | 37.8 |
| | -8 | -9 | 269.0 | 42.4 | 254.6 | 40.5 | 241.1 | 38.6 | 226.8 | 36.9 | 212.5 | 35.1 | 203.2 | 33.9 |
| | -3 | -4 | 269.0 | 39.6 | 254.6 | 37.6 | 241.1 | 35.7 | 226.8 | 33.9 | 212.5 | 31.9 | 203.2 | 30.8 |
| | 2 | 1 | 269.0 | 37.5 | 254.6 | 35.4 | 241.1 | 33.5 | 226.8 | 31.5 | 212.5 | 29.8 | 203.2 | 28.7 |
| | 7 | 6 | 269.0 | 34.3 | 254.6 | 32.3 | 241.1 | 30.6 | 226.8 | 28.9 | 212.5 | 27.2 | 203.2 | 26.0 |
| | 12 | 10 | 269.0 | 31.7 | 254.6 | 30.0 | 241.1 | 28.5 | 226.8 | 26.8 | 212.5 | 25.2 | 203.2 | 24.2 |
| | 17 | 15 | 269.0 | 28.9 | 254.6 | 27.4 | 241.1 | 26.0 | 226.8 | 24.5 | 212.5 | 23.0 | 203.2 | 22.1 |
| | 22 | 20 | 269.0 | 26.5 | 254.6 | 25.1 | 241.1 | 23.7 | 226.8 | 22.4 | 212.5 | 21.2 | 203.2 | 20.5 |
| | 27 | 24 | 269.0 | 24.6 | 254.6 | 23.2 | 241.1 | 22.1 | 226.8 | 21.0 | 212.5 | 19.9 | 203.2 | 19.2 |
| | 32 | 29 | 269.0 | 22.4 | 254.6 | 21.3 | 241.1 | 20.4 | 226.8 | 19.4 | 212.5 | 18.5 | 203.2 | 17.8 |
| | 37 | 34 | 269.0 | 20.6 | 254.6 | 19.7 | 241.1 | 18.8 | 226.8 | 17.9 | 212.5 | 17.0 | 203.2 | 16.4 |
| | 42 | 38 | 269.0 | 19.3 | 254.6 | 18.4 | 241.1 | 17.6 | 226.8 | 16.8 | 212.5 | 15.9 | 203.2 | 15.4 |
| | 47 | 43 | 269.0 | 17.7 | 254.6 | 16.9 | 241.1 | 16.2 | 226.8 | 15.4 | 212.5 | 14.6 | 203.2 | 14.1 |
| | 52 | 47 | 269.0 | 16.5 | 254.6 | 15.8 | 241.1 | 15.1 | 226.8 | 14.3 | 212.5 | 13.7 | 203.2 | 13.2 |
| | 57 | 52 | 269.0 | 15.1 | 254.6 | 14.4 | 241.1 | 13.8 | 226.8 | 13.1 | 212.5 | 12.5 | 203.2 | 12.0 |
| | 62 | 56 | 269.0 | 14.0 | 254.6 | 13.4 | 241.1 | 12.9 | 226.8 | 12.2 | 212.5 | 11.6 | 203.2 | 11.3 |
| | 67 | 61 | 269.0 | 12.9 | 254.6 | 12.3 | 241.1 | 11.7 | 226.8 | 11.2 | 212.5 | 10.7 | 203.2 | 10.4 |
| | 72 | 66 | 269.0 | 11.7 | 254.6 | 11.2 | 241.1 | 10.8 | 226.8 | 10.4 | 212.5 | 10.0 | 203.2 | 9.6 |
| 75 | 69 | 269.0 | 11.1 | 254.6 | 10.7 | 241.1 | 10.4 | 226.8 | 10.0 | 212.5 | 9.5 | 203.2 | 9.2 | |
| 80 | 74 | 269.0 | 10.3 | 254.6 | 10.0 | 241.1 | 9.6 | 226.8 | 9.2 | 212.5 | 8.7 | 203.2 | 8.4 | |
| 60% | -22 | -23 | 186.4 | 41.0 | 184.0 | 42.1 | 182.0 | 43.1 | 180.0 | 44.3 | 179.0 | 45.7 | 174.2 | 45.5 |
| | -17 | -18 | 225.1 | 44.9 | 218.2 | 44.9 | 206.7 | 43.7 | 194.4 | 42.3 | 182.1 | 40.8 | 174.2 | 39.8 |
| | -13 | -14 | 230.5 | 39.8 | 218.2 | 38.6 | 206.7 | 37.3 | 194.4 | 35.9 | 182.1 | 34.4 | 174.2 | 33.5 |
| | -8 | -9 | 230.5 | 36.3 | 218.2 | 34.9 | 206.7 | 33.5 | 194.4 | 32.0 | 182.1 | 30.6 | 174.2 | 29.6 |
| | -3 | -4 | 230.5 | 33.4 | 218.2 | 31.9 | 206.7 | 30.4 | 194.4 | 29.1 | 182.1 | 27.6 | 174.2 | 26.7 |
| | 2 | 1 | 230.5 | 31.1 | 218.2 | 29.7 | 206.7 | 28.4 | 194.4 | 26.9 | 182.1 | 25.4 | 174.2 | 24.4 |
| | 7 | 6 | 230.5 | 28.5 | 218.2 | 27.1 | 206.7 | 25.8 | 194.4 | 24.4 | 182.1 | 23.0 | 174.2 | 22.1 |
| | 12 | 10 | 230.5 | 26.4 | 218.2 | 25.1 | 206.7 | 23.9 | 194.4 | 22.6 | 182.1 | 21.4 | 174.2 | 20.7 |
| | 17 | 15 | 230.5 | 24.1 | 218.2 | 22.9 | 206.7 | 21.8 | 194.4 | 20.8 | 182.1 | 19.8 | 174.2 | 19.2 |
| | 22 | 20 | 230.5 | 22.0 | 218.2 | 21.1 | 206.7 | 20.2 | 194.4 | 19.3 | 182.1 | 18.4 | 174.2 | 17.8 |
| | 27 | 24 | 230.5 | 20.6 | 218.2 | 19.7 | 206.7 | 19.0 | 194.4 | 18.1 | 182.1 | 17.3 | 174.2 | 16.7 |
| | 32 | 29 | 230.5 | 19.1 | 218.2 | 18.3 | 206.7 | 17.6 | 194.4 | 16.8 | 182.1 | 16.0 | 174.2 | 15.5 |
| | 37 | 34 | 230.5 | 17.6 | 218.2 | 16.8 | 206.7 | 16.2 | 194.4 | 15.4 | 182.1 | 14.7 | 174.2 | 14.2 |
| | 42 | 38 | 230.5 | 16.4 | 218.2 | 15.7 | 206.7 | 15.1 | 194.4 | 14.4 | 182.1 | 13.8 | 174.2 | 13.4 |
| | 47 | 43 | 230.5 | 15.0 | 218.2 | 14.4 | 206.7 | 13.8 | 194.4 | 13.3 | 182.1 | 12.6 | 174.2 | 12.2 |
| | 52 | 47 | 230.5 | 14.0 | 218.2 | 13.5 | 206.7 | 12.9 | 194.4 | 12.3 | 182.1 | 11.7 | 174.2 | 11.4 |
| | 57 | 52 | 230.5 | 12.8 | 218.2 | 12.3 | 206.7 | 11.8 | 194.4 | 11.3 | 182.1 | 10.8 | 174.2 | 10.5 |
| | 62 | 56 | 230.5 | 11.9 | 218.2 | 11.4 | 206.7 | 11.0 | 194.4 | 10.6 | 182.1 | 10.1 | 174.2 | 9.8 |
| | 67 | 61 | 230.5 | 10.9 | 218.2 | 10.6 | 206.7 | 10.2 | 194.4 | 9.7 | 182.1 | 9.3 | 174.2 | 9.0 |
| | 72 | 66 | 230.5 | 10.1 | 218.2 | 9.8 | 206.7 | 9.4 | 194.4 | 9.0 | 182.1 | 8.6 | 174.2 | 8.4 |
| 75 | 69 | 230.5 | 9.7 | 218.2 | 9.3 | 206.7 | 9.0 | 194.4 | 8.6 | 182.1 | 8.3 | 174.2 | 8.1 | |
| 80 | 74 | 230.5 | 9.0 | 218.2 | 8.6 | 206.7 | 8.3 | 194.4 | 7.8 | 182.1 | 7.4 | 174.2 | 7.2 | |

NOTE - Power Input = Compressor + Outdoor Fan Motor.
 MBH = 1000 BTUs per hour.

HEATING CAPACITY - THREE MODULE | VRB288L4

| Combination (%) | Outdoor Temperature (°F) | | Indoor Temperature - °F Dry Bulb | | | | | | | | | | | |
|-----------------|--------------------------|----------|----------------------------------|----------------|----------------|----------------|----------------|----------------|----------------|----------------|----------------|----------------|----------------|----------------|
| | | | 61 | | 64 | | 67 | | 70 | | 73 | | 75 | |
| | Dry Bulb | Wet Bulb | Total Cap. MBH | Power Input kW | Total Cap. MBH | Power Input kW | Total Cap. MBH | Power Input kW | Total Cap. MBH | Power Input kW | Total Cap. MBH | Power Input kW | Total Cap. MBH | Power Input kW |
| 50% | -22 | -23 | 181.1 | 43.3 | 181.9 | 45.1 | 172.2 | 44.1 | 162.0 | 43.0 | 151.8 | 41.9 | 145.1 | 41.1 |
| | -17 | -18 | 192.1 | 40.7 | 181.9 | 39.6 | 172.2 | 38.5 | 162.0 | 37.3 | 151.8 | 36.0 | 145.1 | 35.1 |
| | -13 | -14 | 192.1 | 34.5 | 181.9 | 33.4 | 172.2 | 32.3 | 162.0 | 31.2 | 151.8 | 30.0 | 145.1 | 29.2 |
| | -8 | -9 | 192.1 | 30.7 | 181.9 | 29.6 | 172.2 | 28.6 | 162.0 | 27.4 | 151.8 | 26.3 | 145.1 | 25.1 |
| | -3 | -4 | 192.1 | 27.8 | 181.9 | 26.7 | 172.2 | 25.6 | 162.0 | 24.3 | 151.8 | 22.9 | 145.1 | 22.0 |
| | 2 | 1 | 192.1 | 25.7 | 181.9 | 24.5 | 172.2 | 23.4 | 162.0 | 22.1 | 151.8 | 21.0 | 145.1 | 20.2 |
| | 7 | 6 | 192.1 | 23.2 | 181.9 | 22.2 | 172.2 | 21.2 | 162.0 | 20.2 | 151.8 | 19.3 | 145.1 | 18.6 |
| | 12 | 10 | 192.1 | 21.6 | 181.9 | 20.7 | 172.2 | 19.9 | 162.0 | 19.0 | 151.8 | 18.1 | 145.1 | 17.6 |
| | 17 | 15 | 192.1 | 19.9 | 181.9 | 19.1 | 172.2 | 18.4 | 162.0 | 17.6 | 151.8 | 16.9 | 145.1 | 16.4 |
| | 22 | 20 | 192.1 | 18.4 | 181.9 | 17.7 | 172.2 | 17.1 | 162.0 | 16.4 | 151.8 | 15.7 | 145.1 | 15.2 |
| | 27 | 24 | 192.1 | 17.3 | 181.9 | 16.6 | 172.2 | 16.0 | 162.0 | 15.4 | 151.8 | 14.7 | 145.1 | 14.3 |
| | 32 | 29 | 192.1 | 16.0 | 181.9 | 15.4 | 172.2 | 14.8 | 162.0 | 14.2 | 151.8 | 13.7 | 145.1 | 13.3 |
| | 37 | 34 | 192.1 | 14.7 | 181.9 | 14.1 | 172.2 | 13.7 | 162.0 | 13.1 | 151.8 | 12.5 | 145.1 | 12.2 |
| | 42 | 38 | 192.1 | 13.7 | 181.9 | 13.3 | 172.2 | 12.8 | 162.0 | 12.2 | 151.8 | 11.7 | 145.1 | 11.4 |
| | 47 | 43 | 192.1 | 12.6 | 181.9 | 12.1 | 172.2 | 11.6 | 162.0 | 11.2 | 151.8 | 10.8 | 145.1 | 10.4 |
| | 52 | 47 | 192.1 | 11.7 | 181.9 | 11.2 | 172.2 | 10.9 | 162.0 | 10.5 | 151.8 | 10.0 | 145.1 | 9.7 |
| | 57 | 52 | 192.1 | 10.8 | 181.9 | 10.4 | 172.2 | 10.0 | 162.0 | 9.5 | 151.8 | 9.1 | 145.1 | 8.8 |
| 62 | 56 | 192.1 | 10.1 | 181.9 | 9.7 | 172.2 | 9.3 | 162.0 | 8.9 | 151.8 | 8.5 | 145.1 | 8.2 | |
| 67 | 61 | 192.1 | 9.2 | 181.9 | 8.9 | 172.2 | 8.6 | 162.0 | 8.2 | 151.8 | 7.9 | 145.1 | 7.6 | |
| 72 | 66 | 192.1 | 8.5 | 181.9 | 8.2 | 172.2 | 8.0 | 162.0 | 7.7 | 151.8 | 7.4 | 145.1 | 7.2 | |
| 75 | 69 | 192.1 | 8.2 | 181.9 | 7.9 | 172.2 | 7.7 | 162.0 | 7.4 | 151.8 | 7.1 | 145.1 | 7.0 | |
| 80 | 74 | 192.1 | 7.6 | 181.9 | 7.3 | 172.2 | 7.0 | 162.0 | 6.6 | 151.8 | 6.3 | 145.1 | 6.0 | |

NOTE - Power Input = Compressor + Outdoor Fan Motor.
 MBH = 1000 BTUs per hour.

COOLING CAPACITY - THREE MODULE | VRB312L4

| Combination (%) | Outdoor Temperature °F (Dry Bulb) | Indoor Temperature - °F (Dry Bulb / Wet Bulb) | | | | | | | | | | | |
|-----------------|-----------------------------------|---|-------------|------------|-------------|------------|-------------|------------|-------------|------------|-------------|------------|-------------|
| | | 67 / 57 | | 71 / 60 | | 75 / 63 | | 80 / 67 | | 85 / 71 | | 90 / 75 | |
| | | Total Cap. | Power Input | Total Cap. | Power Input | Total Cap. | Power Input | Total Cap. | Power Input | Total Cap. | Power Input | Total Cap. | Power Input |
| | | MBH | KW | MBH | KW | MBH | KW | MBH | KW | MBH | KW | MBH | KW |
| 130% | -10 | 239.1 | 8.5 | 290.6 | 10.5 | 339.0 | 12.4 | 405.6 | 15.1 | 475.2 | 18.0 | 526.9 | 20.5 |
| | -5 | 239.1 | 9.1 | 290.6 | 11.1 | 339.0 | 13.1 | 405.6 | 16.0 | 475.2 | 19.2 | 505.8 | 20.8 |
| | 10 | 239.1 | 9.2 | 290.6 | 11.4 | 339.0 | 13.4 | 405.6 | 16.4 | 475.2 | 19.6 | 498.4 | 21.0 |
| | 15 | 239.1 | 9.5 | 290.6 | 11.6 | 339.0 | 13.7 | 405.6 | 16.7 | 470.0 | 19.8 | 488.0 | 21.0 |
| | 20 | 239.1 | 9.7 | 290.6 | 11.9 | 339.0 | 14.0 | 405.6 | 17.1 | 461.7 | 19.9 | 477.2 | 21.0 |
| | 25 | 239.1 | 9.9 | 290.6 | 12.1 | 339.0 | 14.3 | 405.6 | 17.5 | 453.1 | 19.9 | 465.8 | 20.9 |
| | 30 | 239.1 | 10.1 | 290.6 | 12.4 | 339.0 | 14.7 | 405.6 | 17.9 | 444.8 | 20.0 | 454.7 | 20.9 |
| | 35 | 239.1 | 10.4 | 290.6 | 12.7 | 339.0 | 15.0 | 405.6 | 18.3 | 436.9 | 20.1 | 444.2 | 20.9 |
| | 40 | 239.1 | 10.6 | 290.6 | 13.0 | 339.0 | 15.4 | 405.6 | 18.8 | 431.9 | 20.3 | 437.6 | 21.1 |
| | 45 | 239.1 | 10.9 | 290.6 | 13.4 | 339.0 | 15.8 | 405.6 | 19.2 | 429.8 | 20.7 | 434.9 | 21.5 |
| | 50 | 239.1 | 11.2 | 290.6 | 13.7 | 339.0 | 16.2 | 405.6 | 19.7 | 426.6 | 21.1 | 432.9 | 21.9 |
| | 55 | 239.1 | 11.4 | 290.6 | 14.1 | 339.0 | 16.6 | 405.6 | 20.2 | 425.3 | 21.6 | 431.5 | 22.5 |
| | 60 | 239.1 | 11.8 | 290.6 | 14.5 | 339.0 | 17.1 | 405.6 | 20.8 | 426.1 | 22.2 | 430.6 | 23.0 |
| | 65 | 239.1 | 12.1 | 290.6 | 14.9 | 339.0 | 17.5 | 405.6 | 21.4 | 421.6 | 22.6 | 429.7 | 23.6 |
| | 70 | 239.1 | 13.1 | 290.6 | 16.2 | 339.0 | 19.1 | 405.6 | 23.3 | 420.5 | 24.5 | 428.6 | 25.6 |
| | 75 | 239.1 | 14.4 | 290.6 | 17.7 | 339.0 | 20.9 | 399.7 | 25.1 | 418.6 | 26.8 | 426.7 | 28.0 |
| | 80 | 239.1 | 15.8 | 290.6 | 19.5 | 339.0 | 23.0 | 396.6 | 27.4 | 415.4 | 29.2 | 423.4 | 30.5 |
| | 85 | 239.1 | 17.4 | 290.6 | 21.4 | 339.0 | 25.2 | 391.9 | 29.7 | 410.1 | 31.6 | 418.0 | 33.0 |
| | 90 | 239.1 | 19.0 | 290.6 | 23.4 | 339.0 | 27.6 | 385.0 | 31.9 | 402.0 | 33.9 | 409.7 | 35.4 |
| | 95 | 239.1 | 20.8 | 290.6 | 25.6 | 339.0 | 30.2 | 359.5 | 32.4 | 368.9 | 34.0 | 375.1 | 35.4 |
| | 100 | 239.1 | 22.6 | 290.6 | 27.8 | 326.5 | 31.6 | 346.6 | 33.9 | 352.4 | 35.3 | 359.2 | 36.8 |
| 105 | 239.1 | 24.4 | 290.6 | 30.0 | 307.8 | 32.0 | 321.8 | 34.0 | 331.3 | 35.8 | 337.7 | 37.4 | |
| 110 | 239.1 | 26.1 | 267.9 | 29.5 | 283.8 | 31.5 | 294.9 | 33.3 | 303.6 | 35.1 | 309.5 | 36.6 | |
| 115 | 224.5 | 25.9 | 241.2 | 27.9 | 250.8 | 29.4 | 260.4 | 31.1 | 268.2 | 32.7 | 273.3 | 34.2 | |
| 118 | 204.9 | 24.2 | 219.0 | 26.0 | 226.6 | 27.3 | 235.3 | 28.9 | 242.3 | 30.4 | 246.9 | 31.7 | |
| 125 | 146.0 | 17.8 | 152.4 | 18.8 | 157.7 | 19.7 | 163.8 | 20.9 | 168.6 | 22.0 | 171.9 | 22.9 | |
| 120% | -10 | 220.7 | 7.7 | 268.2 | 9.5 | 312.9 | 11.2 | 374.4 | 13.7 | 438.7 | 16.4 | 500.1 | 19.2 |
| | -5 | 220.7 | 8.2 | 268.2 | 10.1 | 312.9 | 11.9 | 374.4 | 14.6 | 438.7 | 17.4 | 489.8 | 19.9 |
| | 10 | 220.7 | 8.4 | 268.2 | 10.3 | 312.9 | 12.2 | 374.4 | 14.9 | 438.7 | 17.8 | 482.4 | 20.0 |
| | 15 | 220.7 | 8.6 | 268.2 | 10.6 | 312.9 | 12.5 | 374.4 | 15.2 | 438.7 | 18.2 | 474.2 | 20.1 |
| | 20 | 220.7 | 8.8 | 268.2 | 10.8 | 312.9 | 12.7 | 374.4 | 15.5 | 438.7 | 18.6 | 466.0 | 20.2 |
| | 25 | 220.7 | 9.0 | 268.2 | 11.0 | 312.9 | 13.0 | 374.4 | 15.9 | 438.7 | 19.0 | 457.4 | 20.2 |
| | 30 | 220.7 | 9.2 | 268.2 | 11.3 | 312.9 | 13.3 | 374.4 | 16.3 | 430.2 | 19.1 | 446.5 | 20.2 |
| | 35 | 220.7 | 9.4 | 268.2 | 11.6 | 312.9 | 13.7 | 374.4 | 16.6 | 422.4 | 19.2 | 436.1 | 20.2 |
| | 40 | 220.7 | 9.6 | 268.2 | 11.8 | 312.9 | 14.0 | 374.4 | 17.1 | 417.3 | 19.4 | 429.3 | 20.4 |
| | 45 | 220.7 | 9.9 | 268.2 | 12.1 | 312.9 | 14.3 | 374.4 | 17.5 | 415.3 | 19.8 | 426.7 | 20.8 |
| | 50 | 220.7 | 10.1 | 268.2 | 12.5 | 312.9 | 14.7 | 374.4 | 17.9 | 413.7 | 20.2 | 424.7 | 21.2 |
| | 55 | 220.7 | 10.4 | 268.2 | 12.8 | 312.9 | 15.1 | 374.4 | 18.4 | 412.5 | 20.7 | 423.4 | 21.7 |
| | 60 | 220.7 | 10.7 | 268.2 | 13.1 | 312.9 | 15.5 | 374.4 | 18.9 | 412.7 | 21.2 | 422.4 | 22.2 |
| | 65 | 220.7 | 11.0 | 268.2 | 13.5 | 312.9 | 15.9 | 374.4 | 19.4 | 409.4 | 21.7 | 421.6 | 22.8 |
| | 70 | 220.7 | 11.9 | 268.2 | 14.7 | 312.9 | 17.3 | 374.4 | 21.1 | 408.2 | 23.5 | 420.5 | 24.7 |
| | 75 | 220.7 | 13.1 | 268.2 | 16.1 | 312.9 | 19.0 | 374.4 | 23.2 | 406.2 | 25.6 | 418.6 | 27.0 |
| | 80 | 220.7 | 14.4 | 268.2 | 17.7 | 312.9 | 20.9 | 374.4 | 25.5 | 403.2 | 27.9 | 415.4 | 29.4 |
| | 85 | 220.7 | 15.8 | 268.2 | 19.4 | 312.9 | 22.9 | 374.4 | 28.0 | 398.6 | 30.3 | 410.1 | 31.9 |
| | 90 | 220.7 | 17.3 | 268.2 | 21.3 | 312.9 | 25.1 | 374.4 | 30.6 | 391.9 | 32.6 | 402.0 | 34.2 |
| | 95 | 220.7 | 18.9 | 268.2 | 23.2 | 312.9 | 27.4 | 352.3 | 31.4 | 368.9 | 33.5 | 375.1 | 34.8 |
| | 100 | 220.7 | 20.6 | 268.2 | 25.3 | 312.9 | 29.8 | 339.4 | 32.8 | 352.4 | 34.7 | 359.2 | 36.3 |
| 105 | 220.7 | 22.2 | 268.2 | 27.3 | 301.7 | 31.0 | 320.7 | 33.4 | 331.3 | 35.2 | 337.7 | 36.8 | |
| 110 | 220.7 | 23.7 | 262.7 | 28.6 | 277.8 | 30.4 | 294.9 | 32.8 | 303.6 | 34.5 | 309.5 | 36.0 | |
| 115 | 220.7 | 25.1 | 236.1 | 27.0 | 250.8 | 28.9 | 260.4 | 30.6 | 268.2 | 32.2 | 273.3 | 33.6 | |
| 118 | 200.7 | 23.4 | 218.3 | 25.6 | 226.6 | 26.8 | 235.3 | 28.4 | 242.3 | 29.9 | 246.9 | 31.2 | |
| 125 | 146.0 | 17.6 | 152.4 | 18.5 | 157.7 | 19.4 | 163.8 | 20.5 | 168.6 | 21.6 | 171.9 | 22.6 | |

NOTE - Power Input = Compressor + Outdoor Fan Motor.
 MBH = 1000 BTUs per hour.

COOLING CAPACITY - THREE MODULE | VRB312L4

| Combination (%) | Outdoor Temperature °F (Dry Bulb) | Indoor Temperature - °F (Dry Bulb / Wet Bulb) | | | | | | | | | | | |
|-----------------|-----------------------------------|---|-------------|------------|-------------|------------|-------------|--------------|-------------|------------|-------------|------------|-------------|
| | | 67 / 57 | | 71 / 60 | | 75 / 63 | | 80 / 67 | | 85 / 71 | | 90 / 75 | |
| | | Total Cap. | Power Input | Total Cap. | Power Input | Total Cap. | Power Input | Total Cap. | Power Input | Total Cap. | Power Input | Total Cap. | Power Input |
| | | MBH | kW | MBH | kW | MBH | kW | MBH | kW | MBH | kW | MBH | kW |
| 110% | -10 | 202.3 | 7.0 | 245.9 | 8.6 | 286.9 | 10.1 | 343.2 | 12.4 | 402.1 | 14.8 | 458.5 | 17.3 |
| | -5 | 202.3 | 7.4 | 245.9 | 9.1 | 286.9 | 10.8 | 343.2 | 13.1 | 402.1 | 15.7 | 458.5 | 18.4 |
| | 10 | 202.3 | 7.6 | 245.9 | 9.3 | 286.9 | 11.0 | 343.2 | 13.4 | 402.1 | 16.1 | 458.5 | 18.8 |
| | 15 | 202.3 | 7.8 | 245.9 | 9.5 | 286.9 | 11.3 | 343.2 | 13.7 | 402.1 | 16.4 | 458.3 | 19.2 |
| | 20 | 202.3 | 7.9 | 245.9 | 9.7 | 286.9 | 11.5 | 343.2 | 14.0 | 402.1 | 16.8 | 450.1 | 19.2 |
| | 25 | 202.3 | 8.1 | 245.9 | 10.0 | 286.9 | 11.8 | 343.2 | 14.3 | 402.1 | 17.2 | 441.6 | 19.3 |
| | 30 | 202.3 | 8.3 | 245.9 | 10.2 | 286.9 | 12.0 | 343.2 | 14.7 | 402.1 | 17.6 | 433.4 | 19.4 |
| | 35 | 202.3 | 8.5 | 245.9 | 10.4 | 286.9 | 12.3 | 343.2 | 15.0 | 402.1 | 18.0 | 425.7 | 19.4 |
| | 40 | 202.3 | 8.7 | 245.9 | 10.7 | 286.9 | 12.6 | 343.2 | 15.4 | 402.1 | 18.4 | 420.5 | 19.7 |
| | 45 | 202.3 | 8.9 | 245.9 | 11.0 | 286.9 | 12.9 | 343.2 | 15.8 | 402.1 | 18.9 | 418.4 | 20.1 |
| | 50 | 202.3 | 9.1 | 245.9 | 11.2 | 286.9 | 13.3 | 343.2 | 16.2 | 402.1 | 19.4 | 416.5 | 20.5 |
| | 55 | 202.3 | 9.4 | 245.9 | 11.5 | 286.9 | 13.6 | 343.2 | 16.6 | 402.1 | 19.9 | 415.2 | 21.0 |
| | 60 | 202.3 | 9.6 | 245.9 | 11.9 | 286.9 | 14.0 | 343.2 | 17.1 | 397.9 | 20.2 | 414.3 | 21.5 |
| | 65 | 202.3 | 9.9 | 245.9 | 12.2 | 286.9 | 14.4 | 343.2 | 17.5 | 395.1 | 20.6 | 413.5 | 22.0 |
| | 70 | 202.3 | 10.8 | 245.9 | 13.3 | 286.9 | 15.7 | 343.2 | 19.1 | 393.8 | 22.4 | 412.4 | 23.9 |
| | 75 | 202.3 | 11.8 | 245.9 | 14.6 | 286.9 | 17.2 | 343.2 | 20.9 | 391.9 | 24.4 | 410.6 | 26.1 |
| | 80 | 202.3 | 13.0 | 245.9 | 16.0 | 286.9 | 18.9 | 343.2 | 23.0 | 389.0 | 26.6 | 407.4 | 28.4 |
| | 85 | 202.3 | 14.3 | 245.9 | 17.5 | 286.9 | 20.7 | 343.2 | 25.2 | 384.5 | 28.8 | 402.2 | 30.8 |
| | 90 | 202.3 | 15.6 | 245.9 | 19.2 | 286.9 | 22.7 | 343.2 | 27.6 | 377.9 | 31.0 | 394.2 | 33.0 |
| | 95 | 202.3 | 17.1 | 245.9 | 21.0 | 286.9 | 24.8 | 343.2 | 30.2 | 363.5 | 32.5 | 375.1 | 34.3 |
| 100 | 202.3 | 18.6 | 245.9 | 22.8 | 286.9 | 26.9 | 336.2 | 32.1 | 350.6 | 34.1 | 359.2 | 35.7 | |
| 105 | 202.3 | 20.0 | 245.9 | 24.6 | 286.9 | 29.1 | 313.5 | 32.2 | 331.3 | 34.7 | 337.7 | 36.2 | |
| 110 | 202.3 | 21.4 | 245.9 | 26.4 | 271.8 | 29.4 | 292.7 | 32.1 | 303.6 | 34.0 | 309.5 | 35.5 | |
| 115 | 202.3 | 22.7 | 230.9 | 26.1 | 246.4 | 28.1 | 260.4 | 30.1 | 268.2 | 31.7 | 273.3 | 33.1 | |
| 118 | 196.5 | 22.6 | 213.1 | 24.7 | 226.6 | 26.4 | 235.3 | 28.0 | 242.3 | 29.4 | 246.9 | 30.7 | |
| 125 | 146.0 | 17.3 | 152.4 | 18.3 | 157.7 | 19.1 | 163.8 | 20.2 | 168.6 | 21.3 | 171.9 | 22.2 | |
| 100% | -10 | 183.9 | 6.3 | 223.5 | 7.7 | 260.8 | 9.1 | 312.0 | 11.1 | 365.6 | 13.3 | 416.8 | 15.5 |
| | -5 | 183.9 | 6.7 | 223.5 | 8.2 | 260.8 | 9.7 | 312.0 | 11.8 | 365.6 | 14.1 | 416.8 | 16.5 |
| | 10 | 183.9 | 6.8 | 223.5 | 8.4 | 260.8 | 9.9 | 312.0 | 12.0 | 365.6 | 14.4 | 416.8 | 16.8 |
| | 15 | 183.9 | 6.9 | 223.5 | 8.5 | 260.8 | 10.1 | 312.0 | 12.3 | 365.6 | 14.7 | 416.8 | 17.2 |
| | 20 | 183.9 | 7.1 | 223.5 | 8.7 | 260.8 | 10.3 | 312.0 | 12.5 | 365.6 | 15.0 | 416.5 | 17.5 |
| | 25 | 183.9 | 7.3 | 223.5 | 8.9 | 260.8 | 10.5 | 312.0 | 12.8 | 365.6 | 15.4 | 413.1 | 17.8 |
| | 30 | 183.9 | 7.4 | 223.5 | 9.1 | 260.8 | 10.8 | 312.0 | 13.1 | 365.6 | 15.7 | 410.0 | 18.1 |
| | 35 | 183.9 | 7.6 | 223.5 | 9.3 | 260.8 | 11.0 | 312.0 | 13.5 | 365.6 | 16.1 | 407.1 | 18.4 |
| | 40 | 183.9 | 7.8 | 223.5 | 9.6 | 260.8 | 11.3 | 312.0 | 13.8 | 365.6 | 16.5 | 404.7 | 18.7 |
| | 45 | 183.9 | 8.0 | 223.5 | 9.8 | 260.8 | 11.6 | 312.0 | 14.1 | 365.6 | 16.9 | 402.7 | 19.1 |
| | 50 | 183.9 | 8.2 | 223.5 | 10.1 | 260.8 | 11.9 | 312.0 | 14.5 | 365.6 | 17.4 | 401.2 | 19.5 |
| | 55 | 183.9 | 8.4 | 223.5 | 10.3 | 260.8 | 12.2 | 312.0 | 14.9 | 365.6 | 17.8 | 400.1 | 19.9 |
| | 60 | 183.9 | 8.6 | 223.5 | 10.6 | 260.8 | 12.5 | 312.0 | 15.3 | 365.6 | 18.3 | 399.2 | 20.4 |
| | 65 | 183.9 | 8.9 | 223.5 | 10.9 | 260.8 | 12.9 | 312.0 | 15.7 | 365.6 | 18.8 | 398.2 | 20.9 |
| | 70 | 183.9 | 9.7 | 223.5 | 11.9 | 260.8 | 14.0 | 312.0 | 17.1 | 365.6 | 20.5 | 397.0 | 22.7 |
| | 75 | 183.9 | 10.6 | 223.5 | 13.0 | 260.8 | 15.4 | 312.0 | 18.8 | 365.6 | 22.5 | 395.1 | 24.8 |
| | 80 | 183.9 | 11.6 | 223.5 | 14.3 | 260.8 | 16.9 | 312.0 | 20.6 | 365.6 | 24.7 | 392.1 | 27.0 |
| | 85 | 183.9 | 12.8 | 223.5 | 15.7 | 260.8 | 18.5 | 312.0 | 22.6 | 365.6 | 27.1 | 387.6 | 29.3 |
| | 90 | 183.9 | 14.0 | 223.5 | 17.2 | 260.8 | 20.3 | 312.0 | 24.8 | 363.8 | 29.5 | 381.0 | 31.5 |
| | 95 | 183.9 | 15.3 | 223.5 | 18.8 | 260.8 | 22.2 | 312.0 | 27.0 | 354.7 | 31.4 | 371.7 | 33.5 |
| 100 | 183.9 | 16.6 | 223.5 | 20.4 | 260.8 | 24.1 | 312.0 | 29.4 | 342.2 | 32.9 | 359.0 | 35.1 | |
| 105 | 183.9 | 17.9 | 223.5 | 22.1 | 260.8 | 26.0 | 306.3 | 31.1 | 325.6 | 33.7 | 337.7 | 35.7 | |
| 110 | 183.9 | 19.2 | 223.5 | 23.6 | 260.8 | 27.9 | 285.5 | 30.9 | 303.6 | 33.5 | 309.5 | 35.0 | |
| 115 | 183.9 | 20.3 | 223.5 | 25.0 | 240.4 | 27.1 | 259.1 | 29.6 | 268.2 | 31.3 | 273.3 | 32.6 | |
| 118 | 183.9 | 20.9 | 207.9 | 23.8 | 222.0 | 25.6 | 235.3 | 27.6 | 242.3 | 29.0 | 246.9 | 30.3 | |
| 125 | 144.1 | 16.8 | 152.4 | 18.0 | 157.7 | 18.8 | 163.8 | 19.9 | 168.6 | 21.0 | 171.9 | 21.9 | |

NOTE - Power Input = Compressor + Outdoor Fan Motor.
 MBH = 1000 BTUs per hour.

COOLING CAPACITY - THREE MODULE | VRB312L4

| Combination (%) | Outdoor Temperature °F (Dry Bulb) | Indoor Temperature - °F (Dry Bulb / Wet Bulb) | | | | | | | | | | | |
|-----------------|-----------------------------------|---|-------------|------------|-------------|------------|-------------|------------|-------------|------------|-------------|------------|-------------|
| | | 67 / 57 | | 71 / 60 | | 75 / 63 | | 80 / 67 | | 85 / 71 | | 90 / 75 | |
| | | Total Cap. | Power Input | Total Cap. | Power Input | Total Cap. | Power Input | Total Cap. | Power Input | Total Cap. | Power Input | Total Cap. | Power Input |
| | | MBH | KW | MBH | KW | MBH | KW | MBH | KW | MBH | KW | MBH | KW |
| 90% | -10 | 165.5 | 5.5 | 201.2 | 6.8 | 234.7 | 8.1 | 280.8 | 9.8 | 329.0 | 11.8 | 375.1 | 13.7 |
| | -5 | 165.5 | 5.9 | 201.2 | 7.2 | 234.7 | 8.6 | 280.8 | 10.4 | 329.0 | 12.5 | 375.1 | 14.6 |
| | 10 | 165.5 | 6.0 | 201.2 | 7.4 | 234.7 | 8.7 | 280.8 | 10.7 | 329.0 | 12.8 | 375.1 | 14.9 |
| | 15 | 165.5 | 6.2 | 201.2 | 7.6 | 234.7 | 8.9 | 280.8 | 10.9 | 329.0 | 13.0 | 375.1 | 15.2 |
| | 20 | 165.5 | 6.3 | 201.2 | 7.7 | 234.7 | 9.1 | 280.8 | 11.1 | 329.0 | 13.3 | 375.1 | 15.6 |
| | 25 | 165.5 | 6.4 | 201.2 | 7.9 | 234.7 | 9.3 | 280.8 | 11.4 | 329.0 | 13.6 | 375.1 | 15.9 |
| | 30 | 165.5 | 6.6 | 201.2 | 8.1 | 234.7 | 9.6 | 280.8 | 11.6 | 329.0 | 14.0 | 375.1 | 16.3 |
| | 35 | 165.5 | 6.7 | 201.2 | 8.3 | 234.7 | 9.8 | 280.8 | 11.9 | 329.0 | 14.3 | 375.1 | 16.7 |
| | 40 | 165.5 | 6.9 | 201.2 | 8.5 | 234.7 | 10.0 | 280.8 | 12.2 | 329.0 | 14.6 | 375.1 | 17.1 |
| | 45 | 165.5 | 7.1 | 201.2 | 8.7 | 234.7 | 10.3 | 280.8 | 12.5 | 329.0 | 15.0 | 375.1 | 17.5 |
| | 50 | 165.5 | 7.3 | 201.2 | 8.9 | 234.7 | 10.5 | 280.8 | 12.9 | 329.0 | 15.4 | 375.1 | 18.0 |
| | 55 | 165.5 | 7.5 | 201.2 | 9.2 | 234.7 | 10.8 | 280.8 | 13.2 | 329.0 | 15.8 | 375.1 | 18.4 |
| | 60 | 165.5 | 7.7 | 201.2 | 9.4 | 234.7 | 11.1 | 280.8 | 13.5 | 329.0 | 16.2 | 375.1 | 19.0 |
| | 65 | 165.5 | 7.9 | 201.2 | 9.7 | 234.7 | 11.4 | 280.8 | 13.9 | 329.0 | 16.7 | 375.1 | 19.5 |
| | 70 | 165.5 | 8.6 | 201.2 | 10.5 | 234.7 | 12.4 | 280.8 | 15.1 | 329.0 | 18.1 | 375.1 | 21.2 |
| | 75 | 165.5 | 9.4 | 201.2 | 11.6 | 234.7 | 13.6 | 280.8 | 16.6 | 329.0 | 19.9 | 375.1 | 23.3 |
| | 80 | 165.5 | 10.3 | 201.2 | 12.7 | 234.7 | 15.0 | 280.8 | 18.3 | 329.0 | 21.9 | 375.1 | 25.5 |
| | 85 | 165.5 | 11.3 | 201.2 | 13.9 | 234.7 | 16.4 | 280.8 | 20.0 | 329.0 | 24.0 | 372.2 | 27.8 |
| | 90 | 165.5 | 12.4 | 201.2 | 15.3 | 234.7 | 18.0 | 280.8 | 21.9 | 329.0 | 26.3 | 365.7 | 29.9 |
| | 95 | 165.5 | 13.6 | 201.2 | 16.7 | 234.7 | 19.7 | 280.8 | 24.0 | 329.0 | 28.7 | 362.1 | 32.3 |
| 100 | 165.5 | 14.7 | 201.2 | 18.1 | 234.7 | 21.4 | 280.8 | 26.1 | 328.6 | 31.2 | 349.3 | 33.8 | |
| 105 | 165.5 | 15.9 | 201.2 | 19.6 | 234.7 | 23.1 | 280.8 | 28.1 | 317.2 | 32.4 | 332.5 | 34.7 | |
| 110 | 165.5 | 17.0 | 201.2 | 20.9 | 234.7 | 24.7 | 278.3 | 29.8 | 295.8 | 32.3 | 309.5 | 34.4 | |
| 115 | 165.5 | 18.0 | 201.2 | 22.1 | 234.4 | 26.1 | 251.9 | 28.4 | 268.2 | 30.8 | 273.3 | 32.1 | |
| 118 | 165.5 | 18.5 | 201.2 | 22.8 | 215.9 | 24.6 | 232.8 | 26.9 | 242.3 | 28.6 | 246.9 | 29.8 | |
| 125 | 139.9 | 16.2 | 152.4 | 17.7 | 157.7 | 18.6 | 163.8 | 19.6 | 168.6 | 20.7 | 171.9 | 21.6 | |
| 80% | -10 | 147.2 | 4.9 | 178.8 | 6.0 | 208.6 | 7.1 | 249.6 | 8.6 | 292.4 | 10.3 | 333.4 | 12.0 |
| | -5 | 147.2 | 5.2 | 178.8 | 6.3 | 208.6 | 7.5 | 249.6 | 9.1 | 292.4 | 10.9 | 333.4 | 12.8 |
| | 10 | 147.2 | 5.3 | 178.8 | 6.5 | 208.6 | 7.7 | 249.6 | 9.3 | 292.4 | 11.2 | 333.4 | 13.1 |
| | 15 | 147.2 | 5.4 | 178.8 | 6.6 | 208.6 | 7.8 | 249.6 | 9.5 | 292.4 | 11.4 | 333.4 | 13.3 |
| | 20 | 147.2 | 5.5 | 178.8 | 6.8 | 208.6 | 8.0 | 249.6 | 9.7 | 292.4 | 11.7 | 333.4 | 13.6 |
| | 25 | 147.2 | 5.6 | 178.8 | 6.9 | 208.6 | 8.2 | 249.6 | 10.0 | 292.4 | 11.9 | 333.4 | 13.9 |
| | 30 | 147.2 | 5.8 | 178.8 | 7.1 | 208.6 | 8.4 | 249.6 | 10.2 | 292.4 | 12.2 | 333.4 | 14.3 |
| | 35 | 147.2 | 5.9 | 178.8 | 7.3 | 208.6 | 8.6 | 249.6 | 10.4 | 292.4 | 12.5 | 333.4 | 14.6 |
| | 40 | 147.2 | 6.1 | 178.8 | 7.4 | 208.6 | 8.8 | 249.6 | 10.7 | 292.4 | 12.8 | 333.4 | 15.0 |
| | 45 | 147.2 | 6.2 | 178.8 | 7.6 | 208.6 | 9.0 | 249.6 | 11.0 | 292.4 | 13.1 | 333.4 | 15.3 |
| | 50 | 147.2 | 6.4 | 178.8 | 7.8 | 208.6 | 9.2 | 249.6 | 11.3 | 292.4 | 13.5 | 333.4 | 15.7 |
| | 55 | 147.2 | 6.5 | 178.8 | 8.0 | 208.6 | 9.5 | 249.6 | 11.6 | 292.4 | 13.8 | 333.4 | 16.2 |
| | 60 | 147.2 | 6.7 | 178.8 | 8.2 | 208.6 | 9.7 | 249.6 | 11.9 | 292.4 | 14.2 | 333.4 | 16.6 |
| | 65 | 147.2 | 6.9 | 178.8 | 8.5 | 208.6 | 10.0 | 249.6 | 12.2 | 292.4 | 14.6 | 333.4 | 17.1 |
| | 70 | 147.2 | 7.5 | 178.8 | 9.2 | 208.6 | 10.9 | 249.6 | 13.3 | 292.4 | 15.9 | 333.4 | 18.6 |
| | 75 | 147.2 | 8.2 | 178.8 | 10.1 | 208.6 | 12.0 | 249.6 | 14.6 | 292.4 | 17.4 | 333.4 | 20.4 |
| | 80 | 147.2 | 9.0 | 178.8 | 11.1 | 208.6 | 13.1 | 249.6 | 16.0 | 292.4 | 19.2 | 333.4 | 22.4 |
| | 85 | 147.2 | 9.9 | 178.8 | 12.2 | 208.6 | 14.4 | 249.6 | 17.6 | 292.4 | 21.0 | 333.4 | 24.5 |
| | 90 | 147.2 | 10.9 | 178.8 | 13.4 | 208.6 | 15.8 | 249.6 | 19.2 | 292.4 | 23.0 | 333.4 | 26.9 |
| | 95 | 147.2 | 11.9 | 178.8 | 14.6 | 208.6 | 17.2 | 249.6 | 21.0 | 292.4 | 25.2 | 333.4 | 29.4 |
| 100 | 147.2 | 12.9 | 178.8 | 15.9 | 208.6 | 18.7 | 249.6 | 22.8 | 292.4 | 27.3 | 333.4 | 31.9 | |
| 105 | 147.2 | 13.9 | 178.8 | 17.1 | 208.6 | 20.2 | 249.6 | 24.6 | 292.4 | 29.5 | 322.9 | 33.3 | |
| 110 | 147.2 | 14.9 | 178.8 | 18.3 | 208.6 | 21.6 | 249.6 | 26.4 | 287.3 | 31.0 | 301.0 | 33.1 | |
| 115 | 147.2 | 15.8 | 178.8 | 19.4 | 208.6 | 22.9 | 244.7 | 27.3 | 260.2 | 29.6 | 273.3 | 31.7 | |
| 118 | 147.2 | 16.2 | 178.8 | 19.9 | 208.6 | 23.5 | 225.6 | 25.8 | 240.5 | 28.0 | 246.9 | 29.4 | |
| 125 | 135.6 | 15.5 | 147.4 | 17.0 | 157.7 | 18.3 | 163.8 | 19.4 | 168.6 | 20.4 | 171.9 | 21.3 | |

NOTE - Power Input = Compressor + Outdoor Fan Motor.
 MBH = 1000 BTUs per hour.

COOLING CAPACITY - THREE MODULE | VRB312L4

| Combination (%) | Outdoor Temperature °F (Dry Bulb) | Indoor Temperature - °F (Dry Bulb / Wet Bulb) | | | | | | | | | | | |
|-----------------|-----------------------------------|---|-------------|------------|-------------|------------|-------------|------------|-------------|------------|-------------|------------|-------------|
| | | 67 / 57 | | 71 / 60 | | 75 / 63 | | 80 / 67 | | 85 / 71 | | 90 / 75 | |
| | | Total Cap. | Power Input | Total Cap. | Power Input | Total Cap. | Power Input | Total Cap. | Power Input | Total Cap. | Power Input | Total Cap. | Power Input |
| | | MBH | kW | MBH | kW | MBH | kW | MBH | kW | MBH | kW | MBH | kW |
| 70% | -10 | 128.8 | 4.2 | 156.5 | 5.2 | 182.5 | 6.1 | 218.4 | 7.4 | 255.9 | 8.9 | 291.7 | 10.4 |
| | -5 | 128.8 | 4.5 | 156.5 | 5.5 | 182.5 | 6.5 | 218.4 | 7.9 | 255.9 | 9.4 | 291.7 | 11.0 |
| | 10 | 128.8 | 4.6 | 156.5 | 5.6 | 182.5 | 6.6 | 218.4 | 8.0 | 255.9 | 9.6 | 291.7 | 11.3 |
| | 15 | 128.8 | 4.7 | 156.5 | 5.7 | 182.5 | 6.7 | 218.4 | 8.2 | 255.9 | 9.9 | 291.7 | 11.5 |
| | 20 | 128.8 | 4.8 | 156.5 | 5.8 | 182.5 | 6.9 | 218.4 | 8.4 | 255.9 | 10.1 | 291.7 | 11.8 |
| | 25 | 128.8 | 4.9 | 156.5 | 6.0 | 182.5 | 7.1 | 218.4 | 8.6 | 255.9 | 10.3 | 291.7 | 12.0 |
| | 30 | 128.8 | 5.0 | 156.5 | 6.1 | 182.5 | 7.2 | 218.4 | 8.8 | 255.9 | 10.5 | 291.7 | 12.3 |
| | 35 | 128.8 | 5.1 | 156.5 | 6.3 | 182.5 | 7.4 | 218.4 | 9.0 | 255.9 | 10.8 | 291.7 | 12.6 |
| | 40 | 128.8 | 5.2 | 156.5 | 6.4 | 182.5 | 7.6 | 218.4 | 9.2 | 255.9 | 11.1 | 291.7 | 12.9 |
| | 45 | 128.8 | 5.4 | 156.5 | 6.6 | 182.5 | 7.8 | 218.4 | 9.5 | 255.9 | 11.3 | 291.7 | 13.2 |
| | 50 | 128.8 | 5.5 | 156.5 | 6.7 | 182.5 | 8.0 | 218.4 | 9.7 | 255.9 | 11.6 | 291.7 | 13.6 |
| | 55 | 128.8 | 5.6 | 156.5 | 6.9 | 182.5 | 8.2 | 218.4 | 10.0 | 255.9 | 11.9 | 291.7 | 13.9 |
| | 60 | 128.8 | 5.8 | 156.5 | 7.1 | 182.5 | 8.4 | 218.4 | 10.2 | 255.9 | 12.3 | 291.7 | 14.3 |
| | 65 | 128.8 | 5.9 | 156.5 | 7.3 | 182.5 | 8.6 | 218.4 | 10.5 | 255.9 | 12.6 | 291.7 | 14.7 |
| | 70 | 128.8 | 6.5 | 156.5 | 8.0 | 182.5 | 9.4 | 218.4 | 11.4 | 255.9 | 13.7 | 291.7 | 16.0 |
| | 75 | 128.8 | 7.1 | 156.5 | 8.7 | 182.5 | 10.3 | 218.4 | 12.6 | 255.9 | 15.0 | 291.7 | 17.6 |
| | 80 | 128.8 | 7.8 | 156.5 | 9.6 | 182.5 | 11.3 | 218.4 | 13.8 | 255.9 | 16.5 | 291.7 | 19.3 |
| | 85 | 128.8 | 8.6 | 156.5 | 10.5 | 182.5 | 12.4 | 218.4 | 15.1 | 255.9 | 18.1 | 291.7 | 21.2 |
| | 90 | 128.8 | 9.4 | 156.5 | 11.5 | 182.5 | 13.6 | 218.4 | 16.6 | 255.9 | 19.9 | 291.7 | 23.2 |
| | 95 | 128.8 | 10.2 | 156.5 | 12.6 | 182.5 | 14.9 | 218.4 | 18.1 | 255.9 | 21.7 | 291.7 | 25.3 |
| 100 | 128.8 | 11.1 | 156.5 | 13.7 | 182.5 | 16.2 | 218.4 | 19.7 | 255.9 | 23.6 | 291.7 | 27.5 | |
| 105 | 128.8 | 12.0 | 156.5 | 14.8 | 182.5 | 17.4 | 218.4 | 21.3 | 255.9 | 25.5 | 291.7 | 29.7 | |
| 110 | 128.8 | 12.9 | 156.5 | 15.8 | 182.5 | 18.7 | 218.4 | 22.7 | 255.9 | 27.2 | 291.4 | 31.8 | |
| 115 | 128.8 | 13.6 | 156.5 | 16.7 | 182.5 | 19.7 | 218.4 | 24.1 | 251.8 | 28.3 | 263.7 | 30.3 | |
| 118 | 128.8 | 14.0 | 156.5 | 17.2 | 182.5 | 20.3 | 218.4 | 24.7 | 232.1 | 26.8 | 243.6 | 28.6 | |
| 125 | 125.3 | 14.2 | 142.2 | 16.2 | 151.9 | 17.5 | 163.8 | 19.1 | 168.6 | 20.1 | 171.9 | 21.0 | |
| 60% | -10 | 110.4 | 3.5 | 134.1 | 4.4 | 156.5 | 5.1 | 187.2 | 6.3 | 219.3 | 7.5 | 250.1 | 8.8 |
| | -5 | 110.4 | 3.8 | 134.1 | 4.6 | 156.5 | 5.5 | 187.2 | 6.7 | 219.3 | 8.0 | 250.1 | 9.3 |
| | 10 | 110.4 | 3.8 | 134.1 | 4.7 | 156.5 | 5.6 | 187.2 | 6.8 | 219.3 | 8.1 | 250.1 | 9.5 |
| | 15 | 110.4 | 3.9 | 134.1 | 4.8 | 156.5 | 5.7 | 187.2 | 7.0 | 219.3 | 8.3 | 250.1 | 9.7 |
| | 20 | 110.4 | 4.0 | 134.1 | 4.9 | 156.5 | 5.8 | 187.2 | 7.1 | 219.3 | 8.5 | 250.1 | 9.9 |
| | 25 | 110.4 | 4.1 | 134.1 | 5.0 | 156.5 | 6.0 | 187.2 | 7.3 | 219.3 | 8.7 | 250.1 | 10.2 |
| | 30 | 110.4 | 4.2 | 134.1 | 5.2 | 156.5 | 6.1 | 187.2 | 7.4 | 219.3 | 8.9 | 250.1 | 10.4 |
| | 35 | 110.4 | 4.3 | 134.1 | 5.3 | 156.5 | 6.2 | 187.2 | 7.6 | 219.3 | 9.1 | 250.1 | 10.7 |
| | 40 | 110.4 | 4.4 | 134.1 | 5.4 | 156.5 | 6.4 | 187.2 | 7.8 | 219.3 | 9.3 | 250.1 | 10.9 |
| | 45 | 110.4 | 4.5 | 134.1 | 5.6 | 156.5 | 6.6 | 187.2 | 8.0 | 219.3 | 9.6 | 250.1 | 11.2 |
| | 50 | 110.4 | 4.6 | 134.1 | 5.7 | 156.5 | 6.7 | 187.2 | 8.2 | 219.3 | 9.8 | 250.1 | 11.5 |
| | 55 | 110.4 | 4.8 | 134.1 | 5.9 | 156.5 | 6.9 | 187.2 | 8.4 | 219.3 | 10.1 | 250.1 | 11.8 |
| | 60 | 110.4 | 4.9 | 134.1 | 6.0 | 156.5 | 7.1 | 187.2 | 8.6 | 219.3 | 10.4 | 250.1 | 12.1 |
| | 65 | 110.4 | 5.0 | 134.1 | 6.2 | 156.5 | 7.3 | 187.2 | 8.9 | 219.3 | 10.6 | 250.1 | 12.4 |
| | 70 | 110.4 | 5.5 | 134.1 | 6.7 | 156.5 | 7.9 | 187.2 | 9.7 | 219.3 | 11.6 | 250.1 | 13.5 |
| | 75 | 110.4 | 6.0 | 134.1 | 7.4 | 156.5 | 8.7 | 187.2 | 10.6 | 219.3 | 12.7 | 250.1 | 14.8 |
| | 80 | 110.4 | 6.6 | 134.1 | 8.1 | 156.5 | 9.6 | 187.2 | 11.7 | 219.3 | 14.0 | 250.1 | 16.3 |
| | 85 | 110.4 | 7.2 | 134.1 | 8.9 | 156.5 | 10.5 | 187.2 | 12.8 | 219.3 | 15.3 | 250.1 | 17.9 |
| | 90 | 110.4 | 7.9 | 134.1 | 9.7 | 156.5 | 11.5 | 187.2 | 14.0 | 219.3 | 16.8 | 250.1 | 19.6 |
| | 95 | 110.4 | 8.7 | 134.1 | 10.6 | 156.5 | 12.6 | 187.2 | 15.3 | 219.3 | 18.3 | 250.1 | 21.4 |
| 100 | 110.4 | 9.4 | 134.1 | 11.6 | 156.5 | 13.6 | 187.2 | 16.6 | 219.3 | 19.9 | 250.1 | 23.3 | |
| 105 | 110.4 | 10.2 | 134.1 | 12.5 | 156.5 | 14.7 | 187.2 | 18.0 | 219.3 | 21.5 | 250.1 | 25.1 | |
| 110 | 110.4 | 10.9 | 134.1 | 13.4 | 156.5 | 15.8 | 187.2 | 19.2 | 219.3 | 23.0 | 250.1 | 26.9 | |
| 115 | 110.4 | 11.5 | 134.1 | 14.1 | 156.5 | 16.7 | 187.2 | 20.3 | 219.3 | 24.4 | 250.1 | 28.4 | |
| 118 | 110.4 | 11.8 | 134.1 | 14.5 | 156.5 | 17.2 | 187.2 | 20.9 | 219.3 | 25.0 | 234.0 | 27.3 | |
| 125 | 110.4 | 12.3 | 134.1 | 15.2 | 145.9 | 16.6 | 157.2 | 18.2 | 168.0 | 19.7 | 171.9 | 20.7 | |

NOTE - Power Input = Compressor + Outdoor Fan Motor.
MBH = 1000 BTUs per hour.

COOLING CAPACITY - THREE MODULE | VRB312L4

| Combination (%) | Outdoor Temperature °F (Dry Bulb) | Indoor Temperature - °F (Dry Bulb / Wet Bulb) | | | | | | | | | | | |
|-----------------|-----------------------------------|---|-------------|------------|-------------|------------|-------------|------------|-------------|------------|-------------|------------|-------------|
| | | 67 / 57 | | 71 / 60 | | 75 / 63 | | 80 / 67 | | 85 / 71 | | 90 / 75 | |
| | | Total Cap. | Power Input | Total Cap. | Power Input | Total Cap. | Power Input | Total Cap. | Power Input | Total Cap. | Power Input | Total Cap. | Power Input |
| | | MBH | kW | MBH | kW | MBH | kW | MBH | kW | MBH | kW | MBH | kW |
| 50% | -10 | 86.5 | 2.7 | 111.8 | 3.6 | 130.4 | 4.2 | 156.0 | 5.1 | 182.8 | 6.2 | 208.4 | 7.2 |
| | -5 | 92.0 | 3.1 | 111.8 | 3.8 | 130.4 | 4.5 | 156.0 | 5.5 | 182.8 | 6.6 | 208.4 | 7.7 |
| | 10 | 92.0 | 3.2 | 111.8 | 3.9 | 130.4 | 4.6 | 156.0 | 5.6 | 182.8 | 6.7 | 208.4 | 7.8 |
| | 15 | 92.0 | 3.2 | 111.8 | 4.0 | 130.4 | 4.7 | 156.0 | 5.7 | 182.8 | 6.8 | 208.4 | 8.0 |
| | 20 | 92.0 | 3.3 | 111.8 | 4.1 | 130.4 | 4.8 | 156.0 | 5.8 | 182.8 | 7.0 | 208.4 | 8.2 |
| | 25 | 92.0 | 3.4 | 111.8 | 4.1 | 130.4 | 4.9 | 156.0 | 6.0 | 182.8 | 7.2 | 208.4 | 8.4 |
| | 30 | 92.0 | 3.5 | 111.8 | 4.2 | 130.4 | 5.0 | 156.0 | 6.1 | 182.8 | 7.3 | 208.4 | 8.5 |
| | 35 | 92.0 | 3.5 | 111.8 | 4.3 | 130.4 | 5.1 | 156.0 | 6.3 | 182.8 | 7.5 | 208.4 | 8.8 |
| | 40 | 92.0 | 3.6 | 111.8 | 4.5 | 130.4 | 5.3 | 156.0 | 6.4 | 182.8 | 7.7 | 208.4 | 9.0 |
| | 45 | 92.0 | 3.7 | 111.8 | 4.6 | 130.4 | 5.4 | 156.0 | 6.6 | 182.8 | 7.9 | 208.4 | 9.2 |
| | 50 | 92.0 | 3.8 | 111.8 | 4.7 | 130.4 | 5.5 | 156.0 | 6.7 | 182.8 | 8.1 | 208.4 | 9.4 |
| | 55 | 92.0 | 3.9 | 111.8 | 4.8 | 130.4 | 5.7 | 156.0 | 6.9 | 182.8 | 8.3 | 208.4 | 9.7 |
| | 60 | 92.0 | 4.0 | 111.8 | 4.9 | 130.4 | 5.8 | 156.0 | 7.1 | 182.8 | 8.5 | 208.4 | 9.9 |
| | 65 | 92.0 | 4.1 | 111.8 | 5.1 | 130.4 | 6.0 | 156.0 | 7.3 | 182.8 | 8.8 | 208.4 | 10.2 |
| | 70 | 92.0 | 4.5 | 111.8 | 5.5 | 130.4 | 6.5 | 156.0 | 7.9 | 182.8 | 9.5 | 208.4 | 11.1 |
| | 75 | 92.0 | 4.9 | 111.8 | 6.1 | 130.4 | 7.2 | 156.0 | 8.7 | 182.8 | 10.4 | 208.4 | 12.2 |
| | 80 | 92.0 | 5.4 | 111.8 | 6.7 | 130.4 | 7.9 | 156.0 | 9.6 | 182.8 | 11.5 | 208.4 | 13.4 |
| | 85 | 92.0 | 5.9 | 111.8 | 7.3 | 130.4 | 8.6 | 156.0 | 10.5 | 182.8 | 12.6 | 208.4 | 14.7 |
| | 90 | 92.0 | 6.5 | 111.8 | 8.0 | 130.4 | 9.4 | 156.0 | 11.5 | 182.8 | 13.8 | 208.4 | 16.1 |
| | 95 | 92.0 | 7.1 | 111.8 | 8.7 | 130.4 | 10.3 | 156.0 | 12.6 | 182.8 | 15.1 | 208.4 | 17.6 |
| 100 | 92.0 | 7.7 | 111.8 | 9.5 | 130.4 | 11.2 | 156.0 | 13.7 | 182.8 | 16.4 | 208.4 | 19.1 | |
| 105 | 92.0 | 8.3 | 111.8 | 10.3 | 130.4 | 12.1 | 156.0 | 14.8 | 182.8 | 17.7 | 208.4 | 20.6 | |
| 110 | 92.0 | 8.9 | 111.8 | 11.0 | 130.4 | 13.0 | 156.0 | 15.8 | 182.8 | 18.9 | 208.4 | 22.1 | |
| 115 | 92.0 | 9.4 | 111.8 | 11.6 | 130.4 | 13.7 | 156.0 | 16.7 | 182.8 | 20.0 | 208.4 | 23.4 | |
| 118 | 92.0 | 9.7 | 111.8 | 11.9 | 130.4 | 14.1 | 156.0 | 17.2 | 182.8 | 20.6 | 208.4 | 24.0 | |
| 125 | 92.0 | 10.1 | 111.8 | 12.5 | 130.4 | 14.7 | 150.0 | 17.2 | 159.6 | 18.6 | 167.8 | 20.0 | |

NOTE - Power Input = Compressor + Outdoor Fan Motor.
 MBH = 1000 BTUs per hour.

HEATING CAPACITY - THREE MODULE | VRB312L4

| Combination (%) | Outdoor Temperature (°F) | | Indoor Temperature - °F Dry Bulb | | | | | | | | | | | |
|-----------------|--------------------------|----------|----------------------------------|----------------|----------------|----------------|----------------|----------------|----------------|----------------|----------------|----------------|----------------|----------------|
| | | | 61 | | 64 | | 67 | | 70 | | 73 | | 75 | |
| | Dry Bulb | Wet Bulb | Total Cap. MBH | Power Input kW | Total Cap. MBH | Power Input kW | Total Cap. MBH | Power Input kW | Total Cap. MBH | Power Input kW | Total Cap. MBH | Power Input kW | Total Cap. MBH | Power Input kW |
| 130% | -22 | -23 | 229.6 | 36.8 | 225.0 | 37.7 | 220.9 | 38.7 | 217.0 | 39.7 | 213.3 | 40.6 | 211.1 | 25.6 |
| | -17 | -18 | 276.5 | 39.7 | 271.2 | 40.7 | 266.6 | 41.7 | 262.1 | 42.7 | 258.0 | 43.6 | 255.5 | 27.3 |
| | -13 | -14 | 314.2 | 42.6 | 311.3 | 43.8 | 308.8 | 45.0 | 306.4 | 46.3 | 304.3 | 47.5 | 303.0 | 29.4 |
| | -8 | -9 | 334.4 | 43.9 | 332.6 | 45.2 | 331.1 | 46.5 | 329.6 | 47.9 | 328.2 | 49.2 | 327.5 | 30.4 |
| | -3 | -4 | 347.9 | 44.7 | 346.3 | 46.1 | 344.8 | 47.4 | 343.5 | 48.8 | 342.3 | 50.1 | 341.6 | 30.9 |
| | 2 | 1 | 361.7 | 45.5 | 360.0 | 46.9 | 358.5 | 48.2 | 357.1 | 49.6 | 355.8 | 50.9 | 355.1 | 31.5 |
| | 7 | 6 | 376.3 | 45.9 | 374.5 | 47.2 | 372.8 | 48.5 | 371.2 | 50.0 | 369.7 | 51.2 | 368.9 | 31.8 |
| | 12 | 10 | 390.2 | 46.3 | 388.2 | 47.6 | 386.4 | 48.9 | 384.7 | 50.4 | 383.1 | 51.6 | 382.1 | 32.2 |
| | 17 | 15 | 410.5 | 47.0 | 408.3 | 48.3 | 406.4 | 49.6 | 404.4 | 51.1 | 402.6 | 52.3 | 401.5 | 32.4 |
| | 22 | 20 | 432.5 | 47.8 | 430.1 | 49.1 | 428.0 | 50.5 | 425.8 | 52.2 | 427.5 | 51.3 | 408.8 | 29.9 |
| | 27 | 24 | 452.8 | 48.6 | 450.2 | 50.0 | 447.9 | 51.3 | 444.2 | 50.6 | 427.5 | 47.1 | 408.8 | 27.3 |
| | 32 | 29 | 478.3 | 49.7 | 475.5 | 51.1 | 470.7 | 50.3 | 456.3 | 46.6 | 427.5 | 42.3 | 408.8 | 24.4 |
| | 37 | 34 | 507.8 | 51.1 | 498.9 | 49.8 | 485.1 | 46.3 | 456.3 | 41.6 | 427.5 | 37.9 | 408.8 | 22.0 |
| | 42 | 38 | 524.5 | 49.8 | 512.3 | 46.6 | 485.1 | 42.2 | 456.3 | 38.1 | 427.5 | 35.2 | 408.8 | 20.5 |
| | 47 | 43 | 541.1 | 45.7 | 512.3 | 41.5 | 485.1 | 37.8 | 456.3 | 34.6 | 427.5 | 32.1 | 408.8 | 18.7 |
| | 52 | 47 | 541.1 | 41.7 | 512.3 | 38.0 | 485.1 | 35.1 | 456.3 | 32.2 | 427.5 | 29.9 | 408.8 | 17.4 |
| | 57 | 52 | 541.1 | 37.3 | 512.3 | 34.6 | 485.1 | 32.0 | 456.3 | 29.4 | 427.5 | 27.2 | 408.8 | 15.8 |
| | 62 | 56 | 541.1 | 34.7 | 512.3 | 32.1 | 485.1 | 29.7 | 456.3 | 27.2 | 427.5 | 25.2 | 408.8 | 14.7 |
| | 67 | 61 | 541.1 | 31.5 | 512.3 | 29.1 | 485.1 | 26.9 | 456.3 | 24.7 | 427.5 | 22.9 | 408.8 | 13.4 |
| | 72 | 66 | 541.1 | 28.5 | 512.3 | 26.3 | 485.1 | 24.3 | 456.3 | 22.4 | 427.5 | 20.9 | 408.8 | 12.3 |
| 75 | 69 | 541.1 | 26.8 | 512.3 | 24.7 | 485.1 | 22.8 | 456.3 | 21.2 | 427.5 | 19.8 | 408.8 | 11.6 | |
| 80 | 74 | 541.1 | 24.1 | 512.3 | 22.4 | 485.1 | 20.8 | 456.3 | 19.3 | 427.5 | 18.1 | 408.8 | 10.6 | |
| 120% | -22 | -23 | 226.6 | 37.3 | 222.2 | 38.2 | 218.3 | 39.1 | 214.5 | 40.2 | 211.0 | 41.1 | 208.9 | 25.8 |
| | -17 | -18 | 272.2 | 40.3 | 267.2 | 41.2 | 262.8 | 42.2 | 258.6 | 43.3 | 254.7 | 44.2 | 252.4 | 27.6 |
| | -13 | -14 | 310.9 | 43.4 | 308.2 | 44.6 | 305.9 | 45.8 | 303.7 | 47.1 | 301.8 | 48.3 | 300.6 | 29.9 |
| | -8 | -9 | 331.7 | 44.8 | 330.0 | 46.1 | 328.6 | 47.5 | 327.3 | 48.9 | 326.1 | 50.2 | 325.5 | 31.0 |
| | -3 | -4 | 345.2 | 45.7 | 343.8 | 47.0 | 342.5 | 48.4 | 341.3 | 49.9 | 340.2 | 51.2 | 339.6 | 31.6 |
| | 2 | 1 | 359.0 | 46.5 | 357.5 | 47.9 | 356.1 | 49.3 | 354.9 | 50.7 | 353.7 | 52.0 | 352.5 | 32.1 |
| | 7 | 6 | 373.5 | 46.9 | 371.8 | 48.3 | 370.3 | 49.6 | 368.8 | 51.1 | 367.5 | 52.3 | 365.9 | 32.4 |
| | 12 | 10 | 387.2 | 47.4 | 385.4 | 48.7 | 383.7 | 50.1 | 382.1 | 51.5 | 380.6 | 52.4 | 377.4 | 31.8 |
| | 17 | 15 | 407.3 | 48.1 | 405.3 | 49.5 | 403.4 | 50.8 | 401.6 | 51.7 | 394.6 | 49.6 | 377.4 | 29.0 |
| | 22 | 20 | 429.1 | 49.0 | 426.8 | 50.4 | 424.8 | 51.6 | 421.2 | 49.2 | 394.6 | 45.0 | 377.4 | 26.1 |
| | 27 | 24 | 449.1 | 49.9 | 448.8 | 51.8 | 447.8 | 49.8 | 421.2 | 45.2 | 394.6 | 41.1 | 377.4 | 23.7 |
| | 32 | 29 | 474.9 | 51.2 | 472.9 | 49.2 | 447.8 | 44.9 | 421.2 | 40.6 | 394.6 | 37.1 | 377.4 | 21.5 |
| | 37 | 34 | 499.5 | 48.2 | 472.9 | 44.0 | 447.8 | 40.0 | 421.2 | 36.4 | 394.6 | 33.8 | 377.4 | 19.7 |
| | 42 | 38 | 499.5 | 44.1 | 472.9 | 40.2 | 447.8 | 36.8 | 421.2 | 33.9 | 394.6 | 31.5 | 377.4 | 18.3 |
| | 47 | 43 | 499.5 | 39.2 | 472.9 | 36.1 | 447.8 | 33.5 | 421.2 | 30.9 | 394.6 | 28.7 | 377.4 | 16.7 |
| | 52 | 47 | 499.5 | 36.1 | 472.9 | 33.6 | 447.8 | 31.1 | 421.2 | 28.7 | 394.6 | 26.6 | 377.4 | 15.5 |
| | 57 | 52 | 499.5 | 32.9 | 472.9 | 30.6 | 447.8 | 28.3 | 421.2 | 26.1 | 394.6 | 24.3 | 377.4 | 14.2 |
| | 62 | 56 | 499.5 | 30.5 | 472.9 | 28.3 | 447.8 | 26.2 | 421.2 | 24.2 | 394.6 | 22.6 | 377.4 | 13.3 |
| | 67 | 61 | 499.5 | 27.7 | 472.9 | 25.6 | 447.8 | 23.8 | 421.2 | 22.1 | 394.6 | 20.7 | 377.4 | 12.2 |
| | 72 | 66 | 499.5 | 24.9 | 472.9 | 23.2 | 447.8 | 21.6 | 421.2 | 20.1 | 394.6 | 18.9 | 377.4 | 11.1 |
| 75 | 69 | 499.5 | 23.4 | 472.9 | 21.8 | 447.8 | 20.4 | 421.2 | 19.0 | 394.6 | 17.8 | 377.4 | 10.5 | |
| 80 | 74 | 499.5 | 21.3 | 472.9 | 19.9 | 447.8 | 18.6 | 421.2 | 17.4 | 394.6 | 16.3 | 377.4 | 9.6 | |

NOTE - Power Input = Compressor + Outdoor Fan Motor.
 MBH = 1000 BTUs per hour.

HEATING CAPACITY - THREE MODULE | VRB312L4

| Combination (%) | Outdoor Temperature (°F) | | Indoor Temperature - °F Dry Bulb | | | | | | | | | | | |
|-----------------|--------------------------|----------|----------------------------------|----------------|----------------|----------------|----------------|----------------|----------------|----------------|----------------|----------------|----------------|----------------|
| | | | 61 | | 64 | | 67 | | 70 | | 73 | | 75 | |
| | Dry Bulb | Wet Bulb | Total Cap. MBH | Power Input kW | Total Cap. MBH | Power Input kW | Total Cap. MBH | Power Input kW | Total Cap. MBH | Power Input kW | Total Cap. MBH | Power Input kW | Total Cap. MBH | Power Input kW |
| 110% | -22 | -23 | 223.1 | 37.8 | 219.0 | 38.7 | 215.4 | 39.7 | 211.9 | 40.7 | 208.7 | 41.6 | 206.7 | 26.2 |
| | -17 | -18 | 267.7 | 40.9 | 263.0 | 41.9 | 258.9 | 42.9 | 255.0 | 44.0 | 251.4 | 44.9 | 249.2 | 28.1 |
| | -13 | -14 | 307.5 | 44.3 | 305.1 | 45.5 | 303.0 | 46.8 | 301.0 | 48.1 | 299.3 | 49.3 | 298.3 | 30.5 |
| | -8 | -9 | 328.9 | 45.9 | 327.5 | 47.2 | 326.2 | 48.6 | 325.1 | 50.1 | 324.1 | 51.4 | 323.6 | 31.7 |
| | -3 | -4 | 342.6 | 46.8 | 341.3 | 48.2 | 340.2 | 49.6 | 339.2 | 51.1 | 338.3 | 52.1 | 334.5 | 31.9 |
| | 2 | 1 | 356.4 | 47.7 | 355.0 | 49.1 | 353.8 | 50.5 | 352.7 | 51.9 | 350.1 | 52.4 | 345.9 | 31.9 |
| | 7 | 6 | 370.7 | 48.2 | 369.1 | 49.5 | 367.7 | 50.9 | 366.4 | 51.8 | 361.7 | 50.6 | 345.9 | 29.8 |
| | 12 | 10 | 384.2 | 48.7 | 382.5 | 50.0 | 381.0 | 51.8 | 386.1 | 51.5 | 361.7 | 47.6 | 345.9 | 27.8 |
| | 17 | 15 | 404.1 | 49.5 | 402.2 | 50.9 | 401.0 | 50.7 | 386.1 | 47.1 | 361.7 | 43.3 | 345.9 | 25.1 |
| | 22 | 20 | 425.5 | 50.5 | 422.9 | 50.2 | 410.5 | 46.9 | 386.1 | 42.6 | 361.7 | 39.1 | 345.9 | 22.6 |
| | 27 | 24 | 444.3 | 49.9 | 433.5 | 47.0 | 410.5 | 43.0 | 386.1 | 39.0 | 361.7 | 35.9 | 345.9 | 20.9 |
| | 32 | 29 | 457.9 | 46.1 | 433.5 | 42.2 | 410.5 | 38.6 | 386.1 | 35.3 | 361.7 | 32.9 | 345.9 | 19.2 |
| | 37 | 34 | 457.9 | 41.1 | 433.5 | 37.7 | 410.5 | 34.9 | 386.1 | 32.3 | 361.7 | 30.1 | 345.9 | 17.5 |
| | 42 | 38 | 457.9 | 37.6 | 433.5 | 34.9 | 410.5 | 32.4 | 386.1 | 30.0 | 361.7 | 28.0 | 345.9 | 16.3 |
| | 47 | 43 | 457.9 | 34.1 | 433.5 | 31.8 | 410.5 | 29.6 | 386.1 | 27.3 | 361.7 | 25.5 | 345.9 | 14.9 |
| | 52 | 47 | 457.9 | 31.7 | 433.5 | 29.5 | 410.5 | 27.4 | 386.1 | 25.4 | 361.7 | 23.7 | 345.9 | 13.9 |
| | 57 | 52 | 457.9 | 29.6 | 433.5 | 27.5 | 410.5 | 25.7 | 386.1 | 23.8 | 361.7 | 22.2 | 345.9 | 21.2 |
| | 62 | 56 | 457.9 | 27.4 | 433.5 | 25.5 | 410.5 | 23.8 | 386.1 | 22.2 | 361.7 | 20.7 | 345.9 | 19.8 |
| | 67 | 61 | 457.9 | 24.8 | 433.5 | 23.1 | 410.5 | 21.7 | 386.1 | 20.3 | 361.7 | 18.9 | 345.9 | 18.1 |
| | 72 | 66 | 457.9 | 22.4 | 433.5 | 21.0 | 410.5 | 19.8 | 386.1 | 18.5 | 361.7 | 17.3 | 345.9 | 16.5 |
| 75 | 69 | 457.9 | 21.1 | 433.5 | 19.8 | 410.5 | 18.7 | 386.1 | 17.5 | 361.7 | 16.3 | 345.9 | 15.6 | |
| 80 | 74 | 457.9 | 19.2 | 433.5 | 18.1 | 410.5 | 17.0 | 386.1 | 16.0 | 361.7 | 14.9 | 345.9 | 14.3 | |
| 100% | -22 | -23 | 219.4 | 38.0 | 215.5 | 38.9 | 212.1 | 39.9 | 208.8 | 40.9 | 205.8 | 42.0 | 204.0 | 42.7 |
| | -17 | -18 | 262.9 | 41.3 | 258.6 | 42.2 | 254.8 | 43.2 | 251.2 | 44.3 | 247.9 | 45.5 | 245.9 | 46.2 |
| | -13 | -14 | 304.1 | 44.9 | 301.9 | 46.2 | 300.1 | 47.4 | 298.3 | 48.8 | 296.8 | 50.2 | 296.0 | 51.1 |
| | -8 | -9 | 326.3 | 46.6 | 325.0 | 48.0 | 324.0 | 49.4 | 323.0 | 50.9 | 326.3 | 53.0 | 314.5 | 51.4 |
| | -3 | -4 | 340.1 | 47.7 | 338.9 | 49.1 | 338.0 | 50.5 | 337.2 | 52.0 | 328.8 | 51.2 | 314.5 | 48.8 |
| | 2 | 1 | 353.7 | 48.6 | 352.5 | 50.1 | 351.5 | 51.5 | 351.0 | 52.4 | 328.8 | 48.6 | 314.5 | 46.1 |
| | 7 | 6 | 367.8 | 49.1 | 366.4 | 50.6 | 366.8 | 52.2 | 351.0 | 49.2 | 328.8 | 45.2 | 314.5 | 42.7 |
| | 12 | 10 | 381.2 | 49.7 | 379.6 | 51.1 | 373.2 | 50.1 | 351.0 | 46.2 | 328.8 | 42.2 | 314.5 | 39.6 |
| | 17 | 15 | 402.4 | 50.8 | 394.1 | 49.5 | 373.2 | 45.8 | 351.0 | 41.9 | 328.8 | 38.1 | 314.5 | 36.0 |
| | 22 | 20 | 416.2 | 48.9 | 394.1 | 45.0 | 373.2 | 41.4 | 351.0 | 37.8 | 328.8 | 34.8 | 314.5 | 33.1 |
| | 27 | 24 | 416.2 | 44.8 | 394.1 | 41.1 | 373.2 | 37.8 | 351.0 | 34.9 | 328.8 | 32.4 | 314.5 | 30.7 |
| | 32 | 29 | 416.2 | 40.1 | 394.1 | 36.9 | 373.2 | 34.4 | 351.0 | 32.0 | 328.8 | 29.6 | 314.5 | 28.1 |
| | 37 | 34 | 416.2 | 35.9 | 394.1 | 33.6 | 373.2 | 31.4 | 351.0 | 29.2 | 328.8 | 27.0 | 314.5 | 25.6 |
| | 42 | 38 | 416.2 | 33.4 | 394.1 | 31.2 | 373.2 | 29.2 | 351.0 | 27.1 | 328.8 | 25.1 | 314.5 | 23.9 |
| | 47 | 43 | 416.2 | 30.4 | 394.1 | 28.4 | 373.2 | 26.6 | 351.0 | 24.7 | 328.8 | 23.0 | 314.5 | 22.1 |
| | 52 | 47 | 416.2 | 28.2 | 394.1 | 26.4 | 373.2 | 24.6 | 351.0 | 23.0 | 328.8 | 21.6 | 314.5 | 20.7 |
| | 57 | 52 | 416.2 | 25.6 | 394.1 | 23.9 | 373.2 | 22.5 | 351.0 | 21.1 | 328.8 | 19.8 | 314.5 | 19.0 |
| | 62 | 56 | 416.2 | 23.7 | 394.1 | 22.3 | 373.2 | 21.0 | 351.0 | 19.7 | 328.8 | 18.5 | 314.5 | 17.7 |
| | 67 | 61 | 416.2 | 21.6 | 394.1 | 20.3 | 373.2 | 19.2 | 351.0 | 18.0 | 328.8 | 16.8 | 314.5 | 16.1 |
| | 72 | 66 | 416.2 | 19.6 | 394.1 | 18.5 | 373.2 | 17.5 | 351.0 | 16.4 | 328.8 | 15.4 | 314.5 | 14.7 |
| 75 | 69 | 416.2 | 18.5 | 394.1 | 17.5 | 373.2 | 16.5 | 351.0 | 15.5 | 328.8 | 14.6 | 314.5 | 14.0 | |
| 80 | 74 | 416.2 | 16.9 | 394.1 | 15.9 | 373.2 | 15.1 | 351.0 | 14.2 | 328.8 | 13.3 | 314.5 | 12.8 | |

NOTE - Power Input = Compressor + Outdoor Fan Motor.
 MBH = 1000 BTUs per hour.

HEATING CAPACITY - THREE MODULE | VRB312L4

| Combination (%) | Outdoor Temperature (°F) | | Indoor Temperature - °F Dry Bulb | | | | | | | | | | | |
|-----------------|--------------------------|----------|----------------------------------|----------------|----------------|----------------|----------------|----------------|----------------|----------------|----------------|----------------|----------------|----------------|
| | | | 61 | | 64 | | 67 | | 70 | | 73 | | 75 | |
| | Dry Bulb | Wet Bulb | Total Cap. MBH | Power Input kW | Total Cap. MBH | Power Input kW | Total Cap. MBH | Power Input kW | Total Cap. MBH | Power Input kW | Total Cap. MBH | Power Input kW | Total Cap. MBH | Power Input kW |
| 90% | -22 | -23 | 215.4 | 38.7 | 211.8 | 39.7 | 208.7 | 40.6 | 205.7 | 41.7 | 202.9 | 42.8 | 201.2 | 43.5 |
| | -17 | -18 | 257.9 | 42.2 | 254.0 | 43.2 | 250.6 | 44.2 | 247.3 | 45.3 | 244.3 | 46.5 | 242.5 | 47.3 |
| | -13 | -14 | 300.6 | 46.3 | 298.7 | 47.6 | 297.2 | 48.9 | 295.7 | 50.3 | 294.3 | 51.5 | 283.0 | 49.9 |
| | -8 | -9 | 323.7 | 48.3 | 322.7 | 49.7 | 321.9 | 51.1 | 315.9 | 51.0 | 295.9 | 48.0 | 283.0 | 46.0 |
| | -3 | -4 | 337.6 | 49.4 | 336.7 | 50.9 | 335.9 | 51.7 | 315.9 | 48.5 | 295.9 | 45.2 | 283.0 | 43.1 |
| | 2 | 1 | 351.2 | 50.5 | 354.7 | 52.4 | 335.9 | 49.2 | 315.9 | 45.8 | 295.9 | 42.3 | 283.0 | 40.1 |
| | 7 | 6 | 366.8 | 51.3 | 354.7 | 49.2 | 335.9 | 45.9 | 315.9 | 42.4 | 295.9 | 38.9 | 283.0 | 37.0 |
| | 12 | 10 | 374.6 | 49.6 | 354.7 | 46.1 | 335.9 | 42.8 | 315.9 | 39.3 | 295.9 | 36.3 | 283.0 | 34.5 |
| | 17 | 15 | 374.6 | 45.3 | 354.7 | 41.8 | 335.9 | 38.6 | 315.9 | 35.7 | 295.9 | 33.3 | 283.0 | 31.7 |
| | 22 | 20 | 374.6 | 40.9 | 354.7 | 37.7 | 335.9 | 35.1 | 315.9 | 32.8 | 295.9 | 30.5 | 283.0 | 29.0 |
| | 27 | 24 | 374.6 | 37.3 | 354.7 | 34.8 | 335.9 | 32.7 | 315.9 | 30.5 | 295.9 | 28.3 | 283.0 | 26.9 |
| | 32 | 29 | 374.6 | 34.0 | 354.7 | 31.8 | 335.9 | 29.9 | 315.9 | 27.8 | 295.9 | 25.8 | 283.0 | 24.6 |
| | 37 | 34 | 374.6 | 31.0 | 354.7 | 29.0 | 335.9 | 27.2 | 315.9 | 25.3 | 295.9 | 23.7 | 283.0 | 22.7 |
| | 42 | 38 | 374.6 | 28.8 | 354.7 | 26.9 | 335.9 | 25.3 | 315.9 | 23.6 | 295.9 | 22.2 | 283.0 | 21.4 |
| | 47 | 43 | 374.6 | 26.1 | 354.7 | 24.5 | 335.9 | 23.1 | 315.9 | 21.8 | 295.9 | 20.5 | 283.0 | 19.7 |
| | 52 | 47 | 374.6 | 24.2 | 354.7 | 22.8 | 335.9 | 21.6 | 315.9 | 20.4 | 295.9 | 19.2 | 283.0 | 18.4 |
| | 57 | 52 | 374.6 | 22.1 | 354.7 | 20.9 | 335.9 | 19.8 | 315.9 | 18.7 | 295.9 | 17.5 | 283.0 | 16.8 |
| | 62 | 56 | 374.6 | 20.6 | 354.7 | 19.5 | 335.9 | 18.5 | 315.9 | 17.4 | 295.9 | 16.4 | 283.0 | 15.7 |
| | 67 | 61 | 374.6 | 18.8 | 354.7 | 17.8 | 335.9 | 16.9 | 315.9 | 15.9 | 295.9 | 14.9 | 283.0 | 14.3 |
| | 72 | 66 | 374.6 | 17.1 | 354.7 | 16.2 | 335.9 | 15.3 | 315.9 | 14.5 | 295.9 | 13.6 | 283.0 | 13.1 |
| 75 | 69 | 374.6 | 16.1 | 354.7 | 15.3 | 335.9 | 14.5 | 315.9 | 13.7 | 295.9 | 12.9 | 283.0 | 12.4 | |
| 80 | 74 | 374.6 | 14.7 | 354.7 | 14.0 | 335.9 | 13.3 | 315.9 | 12.6 | 295.9 | 11.8 | 283.0 | 11.4 | |
| 80% | -22 | -23 | 211.1 | 39.6 | 207.9 | 40.6 | 205.0 | 41.6 | 202.3 | 42.7 | 199.8 | 43.8 | 198.3 | 44.6 |
| | -17 | -18 | 252.5 | 43.4 | 249.0 | 44.4 | 246.0 | 45.5 | 243.1 | 46.6 | 240.5 | 47.8 | 239.0 | 48.6 |
| | -13 | -14 | 297.2 | 48.0 | 295.6 | 49.4 | 296.6 | 51.0 | 280.8 | 48.9 | 263.1 | 46.3 | 251.6 | 44.6 |
| | -8 | -9 | 321.3 | 50.4 | 315.2 | 50.1 | 298.5 | 47.6 | 280.8 | 45.0 | 263.1 | 42.2 | 251.6 | 40.7 |
| | -3 | -4 | 333.0 | 50.4 | 315.2 | 47.6 | 298.5 | 45.0 | 280.8 | 42.1 | 263.1 | 39.4 | 251.6 | 37.9 |
| | 2 | 1 | 333.0 | 47.9 | 315.2 | 44.9 | 298.5 | 42.1 | 280.8 | 39.2 | 263.1 | 36.7 | 251.6 | 35.0 |
| | 7 | 6 | 333.0 | 44.5 | 315.2 | 41.5 | 298.5 | 38.7 | 280.8 | 36.1 | 263.1 | 33.7 | 251.6 | 32.3 |
| | 12 | 10 | 333.0 | 41.5 | 315.2 | 38.5 | 298.5 | 36.1 | 280.8 | 33.7 | 263.1 | 31.6 | 251.6 | 30.2 |
| | 17 | 15 | 333.0 | 37.4 | 315.2 | 35.0 | 298.5 | 33.0 | 280.8 | 30.9 | 263.1 | 28.9 | 251.6 | 27.5 |
| | 22 | 20 | 333.0 | 34.1 | 315.2 | 32.1 | 298.5 | 30.3 | 280.8 | 28.3 | 263.1 | 26.4 | 251.6 | 25.1 |
| | 27 | 24 | 333.0 | 31.7 | 315.2 | 29.8 | 298.5 | 28.0 | 280.8 | 26.2 | 263.1 | 24.4 | 251.6 | 23.5 |
| | 32 | 29 | 333.0 | 28.9 | 315.2 | 27.2 | 298.5 | 25.6 | 280.8 | 24.0 | 263.1 | 22.6 | 251.6 | 21.8 |
| | 37 | 34 | 333.0 | 26.3 | 315.2 | 24.7 | 298.5 | 23.4 | 280.8 | 22.2 | 263.1 | 20.9 | 251.6 | 20.1 |
| | 42 | 38 | 333.0 | 24.4 | 315.2 | 23.1 | 298.5 | 22.0 | 280.8 | 20.8 | 263.1 | 19.6 | 251.6 | 18.9 |
| | 47 | 43 | 333.0 | 22.4 | 315.2 | 21.3 | 298.5 | 20.2 | 280.8 | 19.1 | 263.1 | 18.1 | 251.6 | 17.4 |
| | 52 | 47 | 333.0 | 20.9 | 315.2 | 19.9 | 298.5 | 18.9 | 280.8 | 17.9 | 263.1 | 16.9 | 251.6 | 16.2 |
| | 57 | 52 | 333.0 | 19.2 | 315.2 | 18.2 | 298.5 | 17.3 | 280.8 | 16.3 | 263.1 | 15.4 | 251.6 | 14.8 |
| | 62 | 56 | 333.0 | 17.8 | 315.2 | 16.9 | 298.5 | 16.1 | 280.8 | 15.2 | 263.1 | 14.3 | 251.6 | 13.8 |
| | 67 | 61 | 333.0 | 16.2 | 315.2 | 15.4 | 298.5 | 14.7 | 280.8 | 13.9 | 263.1 | 13.1 | 251.6 | 12.6 |
| | 72 | 66 | 333.0 | 14.8 | 315.2 | 14.0 | 298.5 | 13.4 | 280.8 | 12.7 | 263.1 | 12.0 | 251.6 | 11.8 |
| 75 | 69 | 333.0 | 14.0 | 315.2 | 13.3 | 298.5 | 12.7 | 280.8 | 12.0 | 263.1 | 11.7 | 251.6 | 11.3 | |
| 80 | 74 | 333.0 | 12.7 | 315.2 | 12.1 | 298.5 | 11.6 | 280.8 | 11.2 | 263.1 | 10.6 | 251.6 | 10.3 | |

NOTE - Power Input = Compressor + Outdoor Fan Motor.
 MBH = 1000 BTUs per hour.

HEATING CAPACITY - THREE MODULE | VRB312L4

| Combination (%) | Outdoor Temperature (°F) | | Indoor Temperature - °F Dry Bulb | | | | | | | | | | | |
|-----------------|--------------------------|----------|----------------------------------|----------------|----------------|----------------|----------------|----------------|----------------|----------------|----------------|----------------|----------------|----------------|
| | | | 61 | | 64 | | 67 | | 70 | | 73 | | 75 | |
| | Dry Bulb | Wet Bulb | Total Cap. MBH | Power Input kW | Total Cap. MBH | Power Input kW | Total Cap. MBH | Power Input kW | Total Cap. MBH | Power Input kW | Total Cap. MBH | Power Input kW | Total Cap. MBH | Power Input kW |
| 70% | -22 | -23 | 206.5 | 40.8 | 203.6 | 41.9 | 201.1 | 42.9 | 198.7 | 44.0 | 196.5 | 45.2 | 195.2 | 46.0 |
| | -17 | -18 | 246.8 | 44.9 | 243.8 | 46.0 | 241.3 | 47.1 | 238.8 | 48.3 | 230.2 | 48.0 | 220.1 | 46.8 |
| | -13 | -14 | 291.4 | 49.4 | 275.8 | 47.2 | 261.2 | 45.1 | 245.7 | 43.1 | 230.2 | 41.3 | 220.1 | 40.2 |
| | -8 | -9 | 291.4 | 45.6 | 275.8 | 43.3 | 261.2 | 41.1 | 245.7 | 39.2 | 230.2 | 37.3 | 220.1 | 36.1 |
| | -3 | -4 | 291.4 | 42.9 | 275.8 | 40.4 | 261.2 | 38.4 | 245.7 | 36.4 | 230.2 | 34.3 | 220.1 | 33.1 |
| | 2 | 1 | 291.4 | 39.9 | 275.8 | 37.7 | 261.2 | 35.7 | 245.7 | 33.6 | 230.2 | 31.8 | 220.1 | 30.6 |
| | 7 | 6 | 291.4 | 36.8 | 275.8 | 34.6 | 261.2 | 32.8 | 245.7 | 31.0 | 230.2 | 29.2 | 220.1 | 28.0 |
| | 12 | 10 | 291.4 | 34.2 | 275.8 | 32.4 | 261.2 | 30.7 | 245.7 | 28.9 | 230.2 | 27.1 | 220.1 | 25.9 |
| | 17 | 15 | 291.4 | 31.4 | 275.8 | 29.7 | 261.2 | 28.0 | 245.7 | 26.3 | 230.2 | 24.6 | 220.1 | 23.7 |
| | 22 | 20 | 291.4 | 28.7 | 275.8 | 27.1 | 261.2 | 25.6 | 245.7 | 24.1 | 230.2 | 22.7 | 220.1 | 21.9 |
| | 27 | 24 | 291.4 | 26.6 | 275.8 | 25.0 | 261.2 | 23.7 | 245.7 | 22.5 | 230.2 | 21.3 | 220.1 | 20.6 |
| | 32 | 29 | 291.4 | 24.2 | 275.8 | 23.0 | 261.2 | 22.0 | 245.7 | 20.9 | 230.2 | 19.8 | 220.1 | 19.1 |
| | 37 | 34 | 291.4 | 22.3 | 275.8 | 21.3 | 261.2 | 20.3 | 245.7 | 19.3 | 230.2 | 18.3 | 220.1 | 17.7 |
| | 42 | 38 | 291.4 | 20.9 | 275.8 | 19.9 | 261.2 | 19.0 | 245.7 | 18.1 | 230.2 | 17.1 | 220.1 | 16.5 |
| | 47 | 43 | 291.4 | 19.2 | 275.8 | 18.3 | 261.2 | 17.5 | 245.7 | 16.6 | 230.2 | 15.7 | 220.1 | 15.2 |
| | 52 | 47 | 291.4 | 17.9 | 275.8 | 17.1 | 261.2 | 16.3 | 245.7 | 15.5 | 230.2 | 14.6 | 220.1 | 14.1 |
| | 57 | 52 | 291.4 | 16.4 | 275.8 | 15.6 | 261.2 | 14.9 | 245.7 | 14.1 | 230.2 | 13.4 | 220.1 | 12.9 |
| | 62 | 56 | 291.4 | 15.2 | 275.8 | 14.5 | 261.2 | 13.8 | 245.7 | 13.1 | 230.2 | 12.4 | 220.1 | 12.2 |
| | 67 | 61 | 291.4 | 13.9 | 275.8 | 13.2 | 261.2 | 12.6 | 245.7 | 12.0 | 230.2 | 11.6 | 220.1 | 11.3 |
| | 72 | 66 | 291.4 | 12.6 | 275.8 | 12.1 | 261.2 | 11.7 | 245.7 | 11.3 | 230.2 | 10.8 | 220.1 | 10.4 |
| 75 | 69 | 291.4 | 12.0 | 275.8 | 11.5 | 261.2 | 11.3 | 245.7 | 10.8 | 230.2 | 10.3 | 220.1 | 9.9 | |
| 80 | 74 | 291.4 | 10.9 | 275.8 | 10.7 | 261.2 | 10.2 | 245.7 | 9.8 | 230.2 | 9.2 | 220.1 | 8.9 | |
| 60% | -22 | -23 | 201.4 | 42.5 | 198.9 | 43.5 | 196.8 | 44.6 | 194.8 | 45.8 | 193.8 | 47.2 | 188.7 | 47.1 |
| | -17 | -18 | 240.7 | 47.0 | 236.4 | 47.6 | 223.9 | 46.2 | 210.6 | 44.7 | 197.3 | 43.2 | 188.7 | 42.1 |
| | -13 | -14 | 249.7 | 42.4 | 236.4 | 41.1 | 223.9 | 39.7 | 210.6 | 38.2 | 197.3 | 36.7 | 188.7 | 35.6 |
| | -8 | -9 | 249.7 | 38.7 | 236.4 | 37.2 | 223.9 | 35.7 | 210.6 | 34.1 | 197.3 | 32.6 | 188.7 | 31.6 |
| | -3 | -4 | 249.7 | 36.0 | 236.4 | 34.3 | 223.9 | 32.8 | 210.6 | 31.3 | 197.3 | 29.8 | 188.7 | 28.8 |
| | 2 | 1 | 249.7 | 33.2 | 236.4 | 31.7 | 223.9 | 30.3 | 210.6 | 28.8 | 197.3 | 27.2 | 188.7 | 26.2 |
| | 7 | 6 | 249.7 | 30.6 | 236.4 | 29.1 | 223.9 | 27.7 | 210.6 | 26.2 | 197.3 | 24.7 | 188.7 | 23.7 |
| | 12 | 10 | 249.7 | 28.6 | 236.4 | 27.1 | 223.9 | 25.7 | 210.6 | 24.3 | 197.3 | 22.9 | 188.7 | 22.1 |
| | 17 | 15 | 249.7 | 26.0 | 236.4 | 24.6 | 223.9 | 23.4 | 210.6 | 22.3 | 197.3 | 21.2 | 188.7 | 20.5 |
| | 22 | 20 | 249.7 | 23.7 | 236.4 | 22.6 | 223.9 | 21.7 | 210.6 | 20.7 | 197.3 | 19.7 | 188.7 | 19.0 |
| | 27 | 24 | 249.7 | 22.1 | 236.4 | 21.2 | 223.9 | 20.3 | 210.6 | 19.4 | 197.3 | 18.5 | 188.7 | 17.9 |
| | 32 | 29 | 249.7 | 20.5 | 236.4 | 19.7 | 223.9 | 18.8 | 210.6 | 18.0 | 197.3 | 17.1 | 188.7 | 16.6 |
| | 37 | 34 | 249.7 | 18.9 | 236.4 | 18.1 | 223.9 | 17.4 | 210.6 | 16.6 | 197.3 | 15.8 | 188.7 | 15.3 |
| | 42 | 38 | 249.7 | 17.7 | 236.4 | 17.0 | 223.9 | 16.3 | 210.6 | 15.5 | 197.3 | 14.7 | 188.7 | 14.2 |
| | 47 | 43 | 249.7 | 16.3 | 236.4 | 15.6 | 223.9 | 14.9 | 210.6 | 14.2 | 197.3 | 13.5 | 188.7 | 13.0 |
| | 52 | 47 | 249.7 | 15.1 | 236.4 | 14.5 | 223.9 | 13.9 | 210.6 | 13.2 | 197.3 | 12.5 | 188.7 | 12.3 |
| | 57 | 52 | 249.7 | 13.8 | 236.4 | 13.2 | 223.9 | 12.6 | 210.6 | 12.1 | 197.3 | 11.7 | 188.7 | 11.3 |
| | 62 | 56 | 249.7 | 12.8 | 236.4 | 12.3 | 223.9 | 11.9 | 210.6 | 11.5 | 197.3 | 10.9 | 188.7 | 10.5 |
| | 67 | 61 | 249.7 | 11.7 | 236.4 | 11.5 | 223.9 | 11.0 | 210.6 | 10.5 | 197.3 | 10.0 | 188.7 | 9.7 |
| | 72 | 66 | 249.7 | 11.0 | 236.4 | 10.6 | 223.9 | 10.2 | 210.6 | 9.7 | 197.3 | 9.3 | 188.7 | 9.0 |
| 75 | 69 | 249.7 | 10.5 | 236.4 | 10.1 | 223.9 | 9.7 | 210.6 | 9.3 | 197.3 | 8.9 | 188.7 | 8.6 | |
| 80 | 74 | 249.7 | 9.5 | 236.4 | 9.1 | 223.9 | 8.7 | 210.6 | 8.3 | 197.3 | 7.9 | 188.7 | 7.6 | |

NOTE - Power Input = Compressor + Outdoor Fan Motor.
 MBH = 1000 BTUs per hour.

HEATING CAPACITY - THREE MODULE | VRB312L4

| Combination (%) | Outdoor Temperature (°F) | | Indoor Temperature - °F Dry Bulb | | | | | | | | | | | |
|-----------------|--------------------------|----------|----------------------------------|-------------|------------|-------------|------------|-------------|------------|-------------|------------|-------------|------------|-------------|
| | | | 61 | | 64 | | 67 | | 70 | | 73 | | 75 | |
| | Dry Bulb | Wet Bulb | Total Cap. | Power Input | Total Cap. | Power Input | Total Cap. | Power Input | Total Cap. | Power Input | Total Cap. | Power Input | Total Cap. | Power Input |
| 50% | -22 | -23 | 195.8 | 44.8 | 197.0 | 46.7 | 186.6 | 45.7 | 175.5 | 44.5 | 164.4 | 43.3 | 157.2 | 42.4 |
| | -17 | -18 | 208.1 | 43.1 | 197.0 | 41.9 | 186.6 | 40.8 | 175.5 | 39.5 | 164.4 | 38.1 | 157.2 | 37.1 |
| | -13 | -14 | 208.1 | 36.8 | 197.0 | 35.6 | 186.6 | 34.4 | 175.5 | 33.2 | 164.4 | 31.9 | 157.2 | 31.1 |
| | -8 | -9 | 208.1 | 32.8 | 197.0 | 31.6 | 186.6 | 30.5 | 175.5 | 29.3 | 164.4 | 28.0 | 157.2 | 27.2 |
| | -3 | -4 | 208.1 | 30.0 | 197.0 | 28.8 | 186.6 | 27.7 | 175.5 | 26.5 | 164.4 | 25.2 | 157.2 | 24.3 |
| | 2 | 1 | 208.1 | 27.5 | 197.0 | 26.3 | 186.6 | 25.2 | 175.5 | 23.9 | 164.4 | 22.6 | 157.2 | 21.7 |
| | 7 | 6 | 208.1 | 25.0 | 197.0 | 23.9 | 186.6 | 22.8 | 175.5 | 21.7 | 164.4 | 20.6 | 157.2 | 19.9 |
| | 12 | 10 | 208.1 | 23.2 | 197.0 | 22.2 | 186.6 | 21.3 | 175.5 | 20.3 | 164.4 | 19.4 | 157.2 | 18.7 |
| | 17 | 15 | 208.1 | 21.3 | 197.0 | 20.4 | 186.6 | 19.7 | 175.5 | 18.8 | 164.4 | 18.0 | 157.2 | 17.4 |
| | 22 | 20 | 208.1 | 19.7 | 197.0 | 19.0 | 186.6 | 18.3 | 175.5 | 17.5 | 164.4 | 16.7 | 157.2 | 16.2 |
| | 27 | 24 | 208.1 | 18.5 | 197.0 | 17.8 | 186.6 | 17.1 | 175.5 | 16.4 | 164.4 | 15.7 | 157.2 | 15.2 |
| | 32 | 29 | 208.1 | 17.2 | 197.0 | 16.5 | 186.6 | 15.9 | 175.5 | 15.2 | 164.4 | 14.5 | 157.2 | 14.1 |
| | 37 | 34 | 208.1 | 15.8 | 197.0 | 15.2 | 186.6 | 14.6 | 175.5 | 14.0 | 164.4 | 13.4 | 157.2 | 12.9 |
| | 42 | 38 | 208.1 | 14.8 | 197.0 | 14.2 | 186.6 | 13.6 | 175.5 | 13.0 | 164.4 | 12.5 | 157.2 | 12.3 |
| | 47 | 43 | 208.1 | 13.5 | 197.0 | 12.9 | 186.6 | 12.4 | 175.5 | 12.1 | 164.4 | 11.6 | 157.2 | 11.2 |
| | 52 | 47 | 208.1 | 12.5 | 197.0 | 12.1 | 186.6 | 11.8 | 175.5 | 11.3 | 164.4 | 10.7 | 157.2 | 10.4 |
| | 57 | 52 | 208.1 | 11.6 | 197.0 | 11.2 | 186.6 | 10.8 | 175.5 | 10.3 | 164.4 | 9.8 | 157.2 | 9.5 |
| 62 | 56 | 208.1 | 10.9 | 197.0 | 10.5 | 186.6 | 10.1 | 175.5 | 9.6 | 164.4 | 9.1 | 157.2 | 8.9 | |
| 67 | 61 | 208.1 | 10.0 | 197.0 | 9.6 | 186.6 | 9.2 | 175.5 | 8.8 | 164.4 | 8.4 | 157.2 | 8.2 | |
| 72 | 66 | 208.1 | 9.2 | 197.0 | 8.9 | 186.6 | 8.6 | 175.5 | 8.2 | 164.4 | 7.9 | 157.2 | 7.7 | |
| 75 | 69 | 208.1 | 8.8 | 197.0 | 8.5 | 186.6 | 8.2 | 175.5 | 7.9 | 164.4 | 7.6 | 157.2 | 7.5 | |
| 80 | 74 | 208.1 | 8.0 | 197.0 | 7.7 | 186.6 | 7.3 | 175.5 | 7.0 | 164.4 | 6.6 | 157.2 | 6.4 | |

NOTE - Power Input = Compressor + Outdoor Fan Motor.
 MBH = 1000 BTUs per hour.

COOLING CAPACITY - THREE MODULE | VRB336L4

| Combination (%) | Outdoor Temperature °F (Dry Bulb) | Indoor Temperature - °F (Dry Bulb / Wet Bulb) | | | | | | | | | | | |
|-----------------|-----------------------------------|---|-------------|------------|-------------|------------|-------------|------------|-------------|------------|-------------|------------|-------------|
| | | 67 / 57 | | 71 / 60 | | 75 / 63 | | 80 / 67 | | 85 / 71 | | 90 / 75 | |
| | | Total Cap. | Power Input | Total Cap. | Power Input | Total Cap. | Power Input | Total Cap. | Power Input | Total Cap. | Power Input | Total Cap. | Power Input |
| | | MBH | KW | MBH | KW | MBH | KW | MBH | KW | MBH | KW | MBH | KW |
| 130% | -10 | 257.5 | 9.9 | 312.9 | 12.2 | 365.1 | 14.4 | 436.8 | 17.5 | 511.8 | 21.0 | 568.6 | 23.8 |
| | -5 | 257.5 | 10.5 | 312.9 | 12.9 | 365.1 | 15.3 | 436.8 | 18.6 | 511.8 | 22.3 | 539.9 | 24.0 |
| | 10 | 257.5 | 10.7 | 312.9 | 13.2 | 365.1 | 15.6 | 436.8 | 19.0 | 511.8 | 22.8 | 529.8 | 24.1 |
| | 15 | 257.5 | 11.0 | 312.9 | 13.5 | 365.1 | 15.9 | 436.8 | 19.4 | 506.6 | 23.0 | 518.6 | 24.1 |
| | 20 | 257.5 | 11.2 | 312.9 | 13.8 | 365.1 | 16.3 | 436.8 | 19.8 | 498.3 | 23.1 | 507.3 | 24.1 |
| | 25 | 257.5 | 11.5 | 312.9 | 14.1 | 365.1 | 16.7 | 436.8 | 20.3 | 489.6 | 23.2 | 495.6 | 24.1 |
| | 30 | 257.5 | 11.7 | 312.9 | 14.4 | 365.1 | 17.0 | 436.8 | 20.8 | 477.7 | 23.2 | 484.4 | 24.1 |
| | 35 | 257.5 | 12.0 | 312.9 | 14.8 | 365.1 | 17.5 | 436.8 | 21.3 | 467.1 | 23.2 | 473.8 | 24.1 |
| | 40 | 257.5 | 12.3 | 312.9 | 15.1 | 365.1 | 17.9 | 436.8 | 21.8 | 460.6 | 23.4 | 467.3 | 24.4 |
| | 45 | 257.5 | 12.6 | 312.9 | 15.5 | 365.1 | 18.3 | 436.8 | 22.3 | 458.4 | 23.9 | 465.1 | 24.8 |
| | 50 | 257.5 | 13.0 | 312.9 | 15.9 | 365.1 | 18.8 | 436.8 | 22.9 | 456.8 | 24.4 | 463.5 | 25.4 |
| | 55 | 257.5 | 13.3 | 312.9 | 16.3 | 365.1 | 19.3 | 436.8 | 23.5 | 455.7 | 25.0 | 462.5 | 26.0 |
| | 60 | 257.5 | 13.7 | 312.9 | 16.8 | 365.1 | 19.8 | 436.8 | 24.2 | 456.9 | 25.8 | 461.7 | 26.7 |
| | 65 | 257.5 | 14.0 | 312.9 | 17.3 | 365.1 | 20.4 | 436.8 | 24.8 | 452.3 | 26.2 | 460.9 | 27.4 |
| | 70 | 257.5 | 15.3 | 312.9 | 18.8 | 365.1 | 22.2 | 436.8 | 27.0 | 451.0 | 28.4 | 459.7 | 29.7 |
| | 75 | 257.5 | 16.8 | 312.9 | 20.6 | 365.1 | 24.3 | 430.9 | 29.2 | 448.8 | 31.0 | 457.4 | 32.4 |
| | 80 | 257.5 | 18.4 | 312.9 | 22.6 | 365.1 | 26.7 | 427.8 | 31.9 | 444.9 | 33.8 | 453.4 | 35.3 |
| | 85 | 257.5 | 20.2 | 312.9 | 24.8 | 365.1 | 29.3 | 423.1 | 34.6 | 438.7 | 36.6 | 447.1 | 38.2 |
| | 90 | 257.5 | 22.1 | 312.9 | 27.2 | 365.1 | 32.1 | 416.2 | 37.2 | 429.3 | 39.2 | 437.5 | 40.9 |
| | 95 | 257.5 | 24.2 | 312.9 | 29.7 | 365.1 | 35.1 | 386.4 | 37.7 | 393.1 | 39.2 | 399.8 | 40.8 |
| | 100 | 257.5 | 26.3 | 312.9 | 32.3 | 352.5 | 36.8 | 368.0 | 39.0 | 374.7 | 40.6 | 381.9 | 42.4 |
| 105 | 257.5 | 28.4 | 312.9 | 34.9 | 333.8 | 37.5 | 341.1 | 39.0 | 351.3 | 41.1 | 358.0 | 42.9 | |
| 110 | 257.5 | 30.4 | 290.2 | 34.5 | 300.0 | 36.0 | 311.6 | 38.1 | 320.8 | 40.1 | 327.0 | 41.9 | |
| 115 | 242.9 | 30.2 | 255.0 | 32.0 | 263.8 | 33.5 | 274.0 | 35.5 | 282.1 | 37.3 | 287.5 | 39.0 | |
| 118 | 219.8 | 28.0 | 229.5 | 29.6 | 237.5 | 31.0 | 246.6 | 32.8 | 254.0 | 34.5 | 258.8 | 36.1 | |
| 125 | 151.0 | 20.1 | 157.7 | 21.2 | 163.1 | 22.2 | 169.4 | 23.5 | 174.5 | 24.7 | 177.8 | 25.8 | |
| 120% | -10 | 237.7 | 9.0 | 288.9 | 11.1 | 337.0 | 13.1 | 403.2 | 15.9 | 472.4 | 19.1 | 538.6 | 22.3 |
| | -5 | 237.7 | 9.6 | 288.9 | 11.7 | 337.0 | 13.9 | 403.2 | 16.9 | 472.4 | 20.3 | 528.2 | 23.2 |
| | 10 | 237.7 | 9.8 | 288.9 | 12.0 | 337.0 | 14.2 | 403.2 | 17.3 | 472.4 | 20.7 | 520.8 | 23.3 |
| | 15 | 237.7 | 10.0 | 288.9 | 12.3 | 337.0 | 14.5 | 403.2 | 17.7 | 472.4 | 21.1 | 509.6 | 23.3 |
| | 20 | 237.7 | 10.2 | 288.9 | 12.5 | 337.0 | 14.8 | 403.2 | 18.0 | 472.4 | 21.6 | 498.4 | 23.3 |
| | 25 | 237.7 | 10.4 | 288.9 | 12.8 | 337.0 | 15.1 | 403.2 | 18.5 | 472.4 | 22.1 | 486.8 | 23.3 |
| | 30 | 237.7 | 10.7 | 288.9 | 13.1 | 337.0 | 15.5 | 403.2 | 18.9 | 463.9 | 22.2 | 475.7 | 23.3 |
| | 35 | 237.7 | 10.9 | 288.9 | 13.4 | 337.0 | 15.9 | 403.2 | 19.3 | 456.1 | 22.3 | 465.2 | 23.3 |
| | 40 | 237.7 | 11.2 | 288.9 | 13.8 | 337.0 | 16.3 | 403.2 | 19.8 | 451.0 | 22.6 | 458.5 | 23.5 |
| | 45 | 237.7 | 11.5 | 288.9 | 14.1 | 337.0 | 16.7 | 403.2 | 20.3 | 449.0 | 23.1 | 456.3 | 24.0 |
| | 50 | 237.7 | 11.8 | 288.9 | 14.5 | 337.0 | 17.1 | 403.2 | 20.8 | 447.4 | 23.6 | 454.7 | 24.5 |
| | 55 | 237.7 | 12.1 | 288.9 | 14.9 | 337.0 | 17.5 | 403.2 | 21.4 | 446.2 | 24.1 | 453.7 | 25.1 |
| | 60 | 237.7 | 12.4 | 288.9 | 15.3 | 337.0 | 18.0 | 403.2 | 22.0 | 446.5 | 24.8 | 453.0 | 25.8 |
| | 65 | 237.7 | 12.8 | 288.9 | 15.7 | 337.0 | 18.5 | 403.2 | 22.6 | 443.2 | 25.3 | 452.2 | 26.4 |
| | 70 | 237.7 | 13.9 | 288.9 | 17.1 | 337.0 | 20.1 | 403.2 | 24.6 | 441.9 | 27.4 | 451.0 | 28.7 |
| | 75 | 237.7 | 15.2 | 288.9 | 18.7 | 337.0 | 22.1 | 403.2 | 27.0 | 440.0 | 30.0 | 448.8 | 31.3 |
| | 80 | 237.7 | 16.7 | 288.9 | 20.6 | 337.0 | 24.3 | 403.2 | 29.6 | 436.5 | 32.6 | 444.9 | 34.1 |
| | 85 | 237.7 | 18.4 | 288.9 | 22.6 | 337.0 | 26.6 | 403.2 | 32.5 | 430.4 | 35.3 | 438.7 | 36.9 |
| | 90 | 237.7 | 20.1 | 288.9 | 24.7 | 337.0 | 29.2 | 403.2 | 35.6 | 421.2 | 37.9 | 429.3 | 39.5 |
| | 95 | 237.7 | 22.0 | 288.9 | 27.0 | 337.0 | 31.9 | 381.1 | 36.6 | 393.1 | 38.6 | 399.8 | 40.2 |
| | 100 | 237.7 | 23.9 | 288.9 | 29.4 | 337.0 | 34.7 | 368.2 | 38.4 | 374.7 | 40.0 | 381.9 | 41.7 |
| 105 | 237.7 | 25.8 | 288.9 | 31.7 | 325.8 | 36.1 | 341.1 | 38.4 | 351.3 | 40.4 | 358.0 | 42.2 | |
| 110 | 237.7 | 27.6 | 283.3 | 33.2 | 300.0 | 35.5 | 311.6 | 37.5 | 320.8 | 39.5 | 327.0 | 41.3 | |
| 115 | 237.7 | 29.2 | 255.0 | 31.5 | 263.8 | 33.0 | 274.0 | 34.9 | 282.1 | 36.8 | 287.5 | 38.4 | |
| 118 | 217.7 | 27.4 | 229.5 | 29.2 | 237.5 | 30.5 | 246.6 | 32.3 | 254.0 | 34.0 | 258.8 | 35.5 | |
| 125 | 151.0 | 19.8 | 157.7 | 20.9 | 163.1 | 21.9 | 169.4 | 23.1 | 174.5 | 24.3 | 177.8 | 25.4 | |

NOTE - Power Input = Compressor + Outdoor Fan Motor.
 MBH = 1000 BTUs per hour.

COOLING CAPACITY - THREE MODULE | VRB336L4

| Combination (%) | Outdoor Temperature °F (Dry Bulb) | Indoor Temperature - °F (Dry Bulb / Wet Bulb) | | | | | | | | | | | |
|-----------------|-----------------------------------|---|-------------|------------|-------------|------------|-------------|--------------|-------------|------------|-------------|------------|-------------|
| | | 67 / 57 | | 71 / 60 | | 75 / 63 | | 80 / 67 | | 85 / 71 | | 90 / 75 | |
| | | Total Cap. | Power Input | Total Cap. | Power Input | Total Cap. | Power Input | Total Cap. | Power Input | Total Cap. | Power Input | Total Cap. | Power Input |
| | | MBH | kW | MBH | kW | MBH | kW | MBH | kW | MBH | kW | MBH | kW |
| 110% | -10 | 217.9 | 8.1 | 264.8 | 10.0 | 308.9 | 11.8 | 369.6 | 14.4 | 433.0 | 17.2 | 493.7 | 20.1 |
| | -5 | 217.9 | 8.6 | 264.8 | 10.6 | 308.9 | 12.5 | 369.6 | 15.3 | 433.0 | 18.3 | 493.7 | 21.3 |
| | 10 | 217.9 | 8.8 | 264.8 | 10.8 | 308.9 | 12.8 | 369.6 | 15.6 | 433.0 | 18.7 | 493.7 | 21.8 |
| | 15 | 217.9 | 9.0 | 264.8 | 11.1 | 308.9 | 13.1 | 369.6 | 15.9 | 433.0 | 19.1 | 493.6 | 22.3 |
| | 20 | 217.9 | 9.2 | 264.8 | 11.3 | 308.9 | 13.4 | 369.6 | 16.3 | 433.0 | 19.5 | 485.4 | 22.4 |
| | 25 | 217.9 | 9.4 | 264.8 | 11.6 | 308.9 | 13.7 | 369.6 | 16.7 | 433.0 | 20.0 | 476.9 | 22.5 |
| | 30 | 217.9 | 9.6 | 264.8 | 11.8 | 308.9 | 14.0 | 369.6 | 17.0 | 433.0 | 20.4 | 466.9 | 22.5 |
| | 35 | 217.9 | 9.9 | 264.8 | 12.1 | 308.9 | 14.3 | 369.6 | 17.5 | 433.0 | 20.9 | 456.5 | 22.5 |
| | 40 | 217.9 | 10.1 | 264.8 | 12.4 | 308.9 | 14.7 | 369.6 | 17.9 | 433.0 | 21.4 | 449.7 | 22.7 |
| | 45 | 217.9 | 10.4 | 264.8 | 12.7 | 308.9 | 15.0 | 369.6 | 18.3 | 433.0 | 22.0 | 447.5 | 23.2 |
| | 50 | 217.9 | 10.6 | 264.8 | 13.1 | 308.9 | 15.4 | 369.6 | 18.8 | 433.0 | 22.5 | 446.0 | 23.7 |
| | 55 | 217.9 | 10.9 | 264.8 | 13.4 | 308.9 | 15.8 | 369.6 | 19.3 | 433.0 | 23.1 | 445.0 | 24.3 |
| | 60 | 217.9 | 11.2 | 264.8 | 13.8 | 308.9 | 16.3 | 369.6 | 19.8 | 428.9 | 23.5 | 444.3 | 24.9 |
| | 65 | 217.9 | 11.5 | 264.8 | 14.2 | 308.9 | 16.7 | 369.6 | 20.4 | 426.0 | 24.0 | 443.5 | 25.5 |
| | 70 | 217.9 | 12.5 | 264.8 | 15.4 | 308.9 | 18.2 | 369.6 | 22.2 | 424.8 | 26.0 | 442.3 | 27.7 |
| | 75 | 217.9 | 13.8 | 264.8 | 16.9 | 308.9 | 20.0 | 369.6 | 24.3 | 422.9 | 28.4 | 440.1 | 30.2 |
| | 80 | 217.9 | 15.1 | 264.8 | 18.6 | 308.9 | 21.9 | 369.6 | 26.7 | 419.9 | 31.0 | 436.3 | 32.9 |
| | 85 | 217.9 | 16.6 | 264.8 | 20.4 | 308.9 | 24.1 | 369.6 | 29.3 | 415.4 | 33.6 | 430.2 | 35.6 |
| | 90 | 217.9 | 18.2 | 264.8 | 22.3 | 308.9 | 26.3 | 369.6 | 32.1 | 408.8 | 36.2 | 421.0 | 38.2 |
| | 95 | 217.9 | 19.8 | 264.8 | 24.4 | 308.9 | 28.8 | 369.6 | 35.1 | 394.4 | 38.1 | 399.8 | 39.6 |
| 100 | 217.9 | 21.6 | 264.8 | 26.5 | 308.9 | 31.3 | 362.6 | 37.4 | 374.7 | 39.4 | 381.9 | 41.1 | |
| 105 | 217.9 | 23.3 | 264.8 | 28.6 | 308.9 | 33.8 | 339.9 | 37.7 | 351.3 | 39.8 | 358.0 | 41.6 | |
| 110 | 217.9 | 24.9 | 264.8 | 30.6 | 293.9 | 34.3 | 311.6 | 37.0 | 320.8 | 38.9 | 327.0 | 40.6 | |
| 115 | 217.9 | 26.4 | 249.8 | 30.5 | 263.8 | 32.5 | 274.0 | 34.4 | 282.1 | 36.2 | 287.5 | 37.8 | |
| 118 | 212.0 | 26.3 | 229.5 | 28.7 | 237.5 | 30.1 | 246.6 | 31.8 | 254.0 | 33.5 | 258.8 | 35.0 | |
| 125 | 151.0 | 19.5 | 157.7 | 20.6 | 163.1 | 21.5 | 169.4 | 22.8 | 174.5 | 24.0 | 177.8 | 25.0 | |
| 100% | -10 | 198.1 | 7.3 | 240.7 | 8.9 | 280.8 | 10.6 | 336.0 | 12.9 | 393.7 | 15.4 | 448.8 | 18.0 |
| | -5 | 198.1 | 7.7 | 240.7 | 9.5 | 280.8 | 11.2 | 336.0 | 13.7 | 393.7 | 16.4 | 448.8 | 19.1 |
| | 10 | 198.1 | 7.9 | 240.7 | 9.7 | 280.8 | 11.5 | 336.0 | 14.0 | 393.7 | 16.7 | 448.8 | 19.5 |
| | 15 | 198.1 | 8.1 | 240.7 | 9.9 | 280.8 | 11.7 | 336.0 | 14.3 | 393.7 | 17.1 | 448.8 | 20.0 |
| | 20 | 198.1 | 8.2 | 240.7 | 10.1 | 280.8 | 12.0 | 336.0 | 14.6 | 393.7 | 17.5 | 448.5 | 20.4 |
| | 25 | 198.1 | 8.4 | 240.7 | 10.4 | 280.8 | 12.2 | 336.0 | 14.9 | 393.7 | 17.9 | 445.2 | 20.7 |
| | 30 | 198.1 | 8.6 | 240.7 | 10.6 | 280.8 | 12.5 | 336.0 | 15.3 | 393.7 | 18.3 | 442.0 | 21.0 |
| | 35 | 198.1 | 8.8 | 240.7 | 10.9 | 280.8 | 12.8 | 336.0 | 15.6 | 393.7 | 18.7 | 439.2 | 21.4 |
| | 40 | 198.1 | 9.1 | 240.7 | 11.1 | 280.8 | 13.1 | 336.0 | 16.0 | 393.7 | 19.2 | 436.8 | 21.8 |
| | 45 | 198.1 | 9.3 | 240.7 | 11.4 | 280.8 | 13.5 | 336.0 | 16.4 | 393.7 | 19.7 | 434.8 | 22.2 |
| | 50 | 198.1 | 9.5 | 240.7 | 11.7 | 280.8 | 13.8 | 336.0 | 16.8 | 393.7 | 20.2 | 433.3 | 22.7 |
| | 55 | 198.1 | 9.8 | 240.7 | 12.0 | 280.8 | 14.2 | 336.0 | 17.3 | 393.7 | 20.7 | 432.2 | 23.2 |
| | 60 | 198.1 | 10.0 | 240.7 | 12.3 | 280.8 | 14.6 | 336.0 | 17.8 | 393.7 | 21.3 | 431.2 | 23.8 |
| | 65 | 198.1 | 10.3 | 240.7 | 12.7 | 280.8 | 15.0 | 336.0 | 18.2 | 393.7 | 21.9 | 430.3 | 24.4 |
| | 70 | 198.1 | 11.2 | 240.7 | 13.8 | 280.8 | 16.3 | 336.0 | 19.8 | 393.7 | 23.8 | 429.0 | 26.5 |
| | 75 | 198.1 | 12.3 | 240.7 | 15.1 | 280.8 | 17.9 | 336.0 | 21.8 | 393.7 | 26.1 | 427.1 | 28.9 |
| | 80 | 198.1 | 13.5 | 240.7 | 16.6 | 280.8 | 19.6 | 336.0 | 23.9 | 393.7 | 28.7 | 424.2 | 31.5 |
| | 85 | 198.1 | 14.8 | 240.7 | 18.2 | 280.8 | 21.5 | 336.0 | 26.3 | 393.7 | 31.4 | 419.7 | 34.2 |
| | 90 | 198.1 | 16.3 | 240.7 | 20.0 | 280.8 | 23.6 | 336.0 | 28.8 | 392.0 | 34.3 | 412.8 | 36.9 |
| | 95 | 198.1 | 17.8 | 240.7 | 21.8 | 280.8 | 25.8 | 336.0 | 31.4 | 382.8 | 36.5 | 399.8 | 39.0 |
| 100 | 198.1 | 19.3 | 240.7 | 23.7 | 280.8 | 28.0 | 336.0 | 34.1 | 370.3 | 38.4 | 381.9 | 40.5 | |
| 105 | 198.1 | 20.8 | 240.7 | 25.6 | 280.8 | 30.2 | 330.3 | 36.2 | 351.3 | 39.2 | 358.0 | 41.0 | |
| 110 | 198.1 | 22.3 | 240.7 | 27.4 | 280.8 | 32.4 | 309.5 | 36.2 | 320.8 | 38.3 | 327.0 | 40.0 | |
| 115 | 198.1 | 23.6 | 240.7 | 29.0 | 260.4 | 31.6 | 274.0 | 33.9 | 282.1 | 35.7 | 287.5 | 37.2 | |
| 118 | 198.1 | 24.3 | 225.1 | 27.8 | 237.5 | 29.6 | 246.6 | 31.3 | 254.0 | 33.0 | 258.8 | 34.4 | |
| 125 | 151.0 | 19.2 | 157.7 | 20.2 | 163.1 | 21.2 | 169.4 | 22.4 | 174.5 | 23.6 | 177.8 | 24.6 | |

NOTE - Power Input = Compressor + Outdoor Fan Motor.
 MBH = 1000 BTUs per hour.

COOLING CAPACITY - THREE MODULE | VRB336L4

| Combination (%) | Outdoor Temperature °F (Dry Bulb) | Indoor Temperature - °F (Dry Bulb / Wet Bulb) | | | | | | | | | | | |
|-----------------|-----------------------------------|---|-------------|------------|-------------|------------|-------------|------------|-------------|------------|-------------|------------|-------------|
| | | 67 / 57 | | 71 / 60 | | 75 / 63 | | 80 / 67 | | 85 / 71 | | 90 / 75 | |
| | | Total Cap. | Power Input | Total Cap. | Power Input | Total Cap. | Power Input | Total Cap. | Power Input | Total Cap. | Power Input | Total Cap. | Power Input |
| | | MBH | KW | MBH | KW | MBH | KW | MBH | KW | MBH | KW | MBH | KW |
| 90% | -10 | 178.3 | 6.4 | 216.6 | 7.9 | 252.8 | 9.4 | 302.4 | 11.4 | 354.3 | 13.7 | 404.0 | 15.9 |
| | -5 | 178.3 | 6.9 | 216.6 | 8.4 | 252.8 | 9.9 | 302.4 | 12.1 | 354.3 | 14.5 | 404.0 | 17.0 |
| | 10 | 178.3 | 7.0 | 216.6 | 8.6 | 252.8 | 10.2 | 302.4 | 12.4 | 354.3 | 14.8 | 404.0 | 17.3 |
| | 15 | 178.3 | 7.2 | 216.6 | 8.8 | 252.8 | 10.4 | 302.4 | 12.7 | 354.3 | 15.2 | 404.0 | 17.7 |
| | 20 | 178.3 | 7.3 | 216.6 | 9.0 | 252.8 | 10.6 | 302.4 | 12.9 | 354.3 | 15.5 | 404.0 | 18.1 |
| | 25 | 178.3 | 7.5 | 216.6 | 9.2 | 252.8 | 10.9 | 302.4 | 13.2 | 354.3 | 15.8 | 404.0 | 18.5 |
| | 30 | 178.3 | 7.7 | 216.6 | 9.4 | 252.8 | 11.1 | 302.4 | 13.5 | 354.3 | 16.2 | 404.0 | 18.9 |
| | 35 | 178.3 | 7.8 | 216.6 | 9.6 | 252.8 | 11.4 | 302.4 | 13.9 | 354.3 | 16.6 | 404.0 | 19.4 |
| | 40 | 178.3 | 8.0 | 216.6 | 9.9 | 252.8 | 11.6 | 302.4 | 14.2 | 354.3 | 17.0 | 404.0 | 19.9 |
| | 45 | 178.3 | 8.2 | 216.6 | 10.1 | 252.8 | 11.9 | 302.4 | 14.6 | 354.3 | 17.4 | 404.0 | 20.4 |
| | 50 | 178.3 | 8.4 | 216.6 | 10.4 | 252.8 | 12.2 | 302.4 | 14.9 | 354.3 | 17.9 | 404.0 | 20.9 |
| | 55 | 178.3 | 8.7 | 216.6 | 10.6 | 252.8 | 12.6 | 302.4 | 15.3 | 354.3 | 18.4 | 404.0 | 21.4 |
| | 60 | 178.3 | 8.9 | 216.6 | 10.9 | 252.8 | 12.9 | 302.4 | 15.7 | 354.3 | 18.9 | 404.0 | 22.0 |
| | 65 | 178.3 | 9.1 | 216.6 | 11.2 | 252.8 | 13.3 | 302.4 | 16.2 | 354.3 | 19.4 | 404.0 | 22.6 |
| | 70 | 178.3 | 9.9 | 216.6 | 12.2 | 252.8 | 14.4 | 302.4 | 17.6 | 354.3 | 21.1 | 404.0 | 24.6 |
| | 75 | 178.3 | 10.9 | 216.6 | 13.4 | 252.8 | 15.9 | 302.4 | 19.3 | 354.3 | 23.1 | 404.0 | 27.0 |
| | 80 | 178.3 | 12.0 | 216.6 | 14.7 | 252.8 | 17.4 | 302.4 | 21.2 | 354.3 | 25.4 | 404.0 | 29.7 |
| | 85 | 178.3 | 13.2 | 216.6 | 16.2 | 252.8 | 19.1 | 302.4 | 23.3 | 354.3 | 27.9 | 401.0 | 32.3 |
| | 90 | 178.3 | 14.4 | 216.6 | 17.7 | 252.8 | 20.9 | 302.4 | 25.5 | 354.3 | 30.5 | 394.6 | 34.8 |
| | 95 | 178.3 | 15.7 | 216.6 | 19.4 | 252.8 | 22.9 | 302.4 | 27.9 | 354.3 | 33.4 | 390.9 | 37.6 |
| 100 | 178.3 | 17.1 | 216.6 | 21.0 | 252.8 | 24.8 | 302.4 | 30.3 | 353.9 | 36.2 | 378.2 | 39.5 | |
| 105 | 178.3 | 18.5 | 216.6 | 22.7 | 252.8 | 26.8 | 302.4 | 32.7 | 342.5 | 37.8 | 358.0 | 40.4 | |
| 110 | 178.3 | 19.8 | 216.6 | 24.3 | 252.8 | 28.7 | 299.9 | 34.7 | 320.8 | 37.8 | 327.0 | 39.4 | |
| 115 | 178.3 | 20.9 | 216.6 | 25.7 | 252.4 | 30.3 | 273.5 | 33.3 | 282.1 | 35.1 | 287.5 | 36.7 | |
| 118 | 178.3 | 21.5 | 216.6 | 26.4 | 234.0 | 28.8 | 246.6 | 30.9 | 254.0 | 32.5 | 258.8 | 33.9 | |
| 125 | 151.0 | 18.9 | 157.7 | 19.9 | 163.1 | 20.9 | 169.4 | 22.1 | 174.5 | 23.3 | 177.8 | 24.3 | |
| 80% | -10 | 158.5 | 5.6 | 192.6 | 6.9 | 224.7 | 8.2 | 268.8 | 10.0 | 314.9 | 12.0 | 359.1 | 14.0 |
| | -5 | 158.5 | 6.0 | 192.6 | 7.4 | 224.7 | 8.7 | 268.8 | 10.6 | 314.9 | 12.7 | 359.1 | 14.8 |
| | 10 | 158.5 | 6.1 | 192.6 | 7.5 | 224.7 | 8.9 | 268.8 | 10.8 | 314.9 | 13.0 | 359.1 | 15.2 |
| | 15 | 158.5 | 6.3 | 192.6 | 7.7 | 224.7 | 9.1 | 268.8 | 11.1 | 314.9 | 13.3 | 359.1 | 15.5 |
| | 20 | 158.5 | 6.4 | 192.6 | 7.9 | 224.7 | 9.3 | 268.8 | 11.3 | 314.9 | 13.6 | 359.1 | 15.8 |
| | 25 | 158.5 | 6.5 | 192.6 | 8.0 | 224.7 | 9.5 | 268.8 | 11.6 | 314.9 | 13.9 | 359.1 | 16.2 |
| | 30 | 158.5 | 6.7 | 192.6 | 8.2 | 224.7 | 9.7 | 268.8 | 11.9 | 314.9 | 14.2 | 359.1 | 16.6 |
| | 35 | 158.5 | 6.9 | 192.6 | 8.4 | 224.7 | 10.0 | 268.8 | 12.1 | 314.9 | 14.5 | 359.1 | 17.0 |
| | 40 | 158.5 | 7.0 | 192.6 | 8.6 | 224.7 | 10.2 | 268.8 | 12.4 | 314.9 | 14.9 | 359.1 | 17.4 |
| | 45 | 158.5 | 7.2 | 192.6 | 8.9 | 224.7 | 10.5 | 268.8 | 12.7 | 314.9 | 15.3 | 359.1 | 17.8 |
| | 50 | 158.5 | 7.4 | 192.6 | 9.1 | 224.7 | 10.7 | 268.8 | 13.1 | 314.9 | 15.7 | 359.1 | 18.3 |
| | 55 | 158.5 | 7.6 | 192.6 | 9.3 | 224.7 | 11.0 | 268.8 | 13.4 | 314.9 | 16.1 | 359.1 | 18.8 |
| | 60 | 158.5 | 7.8 | 192.6 | 9.6 | 224.7 | 11.3 | 268.8 | 13.8 | 314.9 | 16.5 | 359.1 | 19.3 |
| | 65 | 158.5 | 8.0 | 192.6 | 9.8 | 224.7 | 11.6 | 268.8 | 14.2 | 314.9 | 17.0 | 359.1 | 19.8 |
| | 70 | 158.5 | 8.7 | 192.6 | 10.7 | 224.7 | 12.6 | 268.8 | 15.4 | 314.9 | 18.5 | 359.1 | 21.6 |
| | 75 | 158.5 | 9.6 | 192.6 | 11.8 | 224.7 | 13.9 | 268.8 | 16.9 | 314.9 | 20.3 | 359.1 | 23.7 |
| | 80 | 158.5 | 10.5 | 192.6 | 12.9 | 224.7 | 15.2 | 268.8 | 18.6 | 314.9 | 22.3 | 359.1 | 26.0 |
| | 85 | 158.5 | 11.5 | 192.6 | 14.2 | 224.7 | 16.7 | 268.8 | 20.4 | 314.9 | 24.4 | 359.1 | 28.5 |
| | 90 | 158.5 | 12.6 | 192.6 | 15.5 | 224.7 | 18.3 | 268.8 | 22.3 | 314.9 | 26.8 | 359.1 | 31.2 |
| | 95 | 158.5 | 13.8 | 192.6 | 17.0 | 224.7 | 20.0 | 268.8 | 24.4 | 314.9 | 29.2 | 359.1 | 34.1 |
| 100 | 158.5 | 15.0 | 192.6 | 18.4 | 224.7 | 21.8 | 268.8 | 26.5 | 314.9 | 31.8 | 359.1 | 37.1 | |
| 105 | 158.5 | 16.2 | 192.6 | 19.9 | 224.7 | 23.5 | 268.8 | 28.6 | 314.9 | 34.3 | 348.5 | 38.8 | |
| 110 | 158.5 | 17.3 | 192.6 | 21.3 | 224.7 | 25.1 | 268.8 | 30.6 | 309.8 | 36.1 | 326.7 | 38.8 | |
| 115 | 158.5 | 18.3 | 192.6 | 22.5 | 224.7 | 26.6 | 263.9 | 31.8 | 282.1 | 34.6 | 287.5 | 36.1 | |
| 118 | 158.5 | 18.8 | 192.6 | 23.2 | 224.7 | 27.3 | 244.8 | 30.2 | 254.0 | 32.0 | 258.8 | 33.4 | |
| 125 | 146.9 | 18.2 | 157.7 | 19.7 | 163.1 | 20.6 | 169.4 | 21.8 | 174.5 | 22.9 | 177.8 | 23.9 | |

NOTE - Power Input = Compressor + Outdoor Fan Motor.
 MBH = 1000 BTUs per hour.

COOLING CAPACITY - THREE MODULE | VRB336L4

| Combination (%) | Outdoor Temperature °F (Dry Bulb) | Indoor Temperature - °F (Dry Bulb / Wet Bulb) | | | | | | | | | | | |
|-----------------|-----------------------------------|---|-------------|------------|-------------|------------|-------------|------------|-------------|------------|-------------|------------|-------------|
| | | 67 / 57 | | 71 / 60 | | 75 / 63 | | 80 / 67 | | 85 / 71 | | 90 / 75 | |
| | | Total Cap. | Power Input | Total Cap. | Power Input | Total Cap. | Power Input | Total Cap. | Power Input | Total Cap. | Power Input | Total Cap. | Power Input |
| | | MBH | kW | MBH | kW | MBH | kW | MBH | kW | MBH | kW | MBH | kW |
| 70% | -10 | 138.7 | 4.9 | 168.5 | 6.0 | 196.6 | 7.1 | 235.2 | 8.6 | 275.6 | 10.3 | 314.2 | 12.0 |
| | -5 | 138.7 | 5.2 | 168.5 | 6.4 | 196.6 | 7.5 | 235.2 | 9.2 | 275.6 | 11.0 | 314.2 | 12.8 |
| | 10 | 138.7 | 5.3 | 168.5 | 6.5 | 196.6 | 7.7 | 235.2 | 9.4 | 275.6 | 11.2 | 314.2 | 13.1 |
| | 15 | 138.7 | 5.4 | 168.5 | 6.6 | 196.6 | 7.8 | 235.2 | 9.6 | 275.6 | 11.4 | 314.2 | 13.4 |
| | 20 | 138.7 | 5.5 | 168.5 | 6.8 | 196.6 | 8.0 | 235.2 | 9.8 | 275.6 | 11.7 | 314.2 | 13.7 |
| | 25 | 138.7 | 5.6 | 168.5 | 6.9 | 196.6 | 8.2 | 235.2 | 10.0 | 275.6 | 12.0 | 314.2 | 14.0 |
| | 30 | 138.7 | 5.8 | 168.5 | 7.1 | 196.6 | 8.4 | 235.2 | 10.2 | 275.6 | 12.2 | 314.2 | 14.3 |
| | 35 | 138.7 | 5.9 | 168.5 | 7.3 | 196.6 | 8.6 | 235.2 | 10.5 | 275.6 | 12.5 | 314.2 | 14.6 |
| | 40 | 138.7 | 6.1 | 168.5 | 7.5 | 196.6 | 8.8 | 235.2 | 10.7 | 275.6 | 12.8 | 314.2 | 15.0 |
| | 45 | 138.7 | 6.2 | 168.5 | 7.6 | 196.6 | 9.0 | 235.2 | 11.0 | 275.6 | 13.2 | 314.2 | 15.4 |
| | 50 | 138.7 | 6.4 | 168.5 | 7.8 | 196.6 | 9.3 | 235.2 | 11.3 | 275.6 | 13.5 | 314.2 | 15.8 |
| | 55 | 138.7 | 6.5 | 168.5 | 8.0 | 196.6 | 9.5 | 235.2 | 11.6 | 275.6 | 13.9 | 314.2 | 16.2 |
| | 60 | 138.7 | 6.7 | 168.5 | 8.3 | 196.6 | 9.8 | 235.2 | 11.9 | 275.6 | 14.2 | 314.2 | 16.6 |
| | 65 | 138.7 | 6.9 | 168.5 | 8.5 | 196.6 | 10.0 | 235.2 | 12.2 | 275.6 | 14.6 | 314.2 | 17.1 |
| | 70 | 138.7 | 7.5 | 168.5 | 9.2 | 196.6 | 10.9 | 235.2 | 13.3 | 275.6 | 15.9 | 314.2 | 18.6 |
| | 75 | 138.7 | 8.3 | 168.5 | 10.1 | 196.6 | 12.0 | 235.2 | 14.6 | 275.6 | 17.5 | 314.2 | 20.4 |
| | 80 | 138.7 | 9.1 | 168.5 | 11.1 | 196.6 | 13.1 | 235.2 | 16.0 | 275.6 | 19.2 | 314.2 | 22.4 |
| | 85 | 138.7 | 9.9 | 168.5 | 12.2 | 196.6 | 14.4 | 235.2 | 17.6 | 275.6 | 21.1 | 314.2 | 24.6 |
| | 90 | 138.7 | 10.9 | 168.5 | 13.4 | 196.6 | 15.8 | 235.2 | 19.3 | 275.6 | 23.1 | 314.2 | 26.9 |
| | 95 | 138.7 | 11.9 | 168.5 | 14.6 | 196.6 | 17.3 | 235.2 | 21.0 | 275.6 | 25.2 | 314.2 | 29.4 |
| 100 | 138.7 | 12.9 | 168.5 | 15.9 | 196.6 | 18.8 | 235.2 | 22.9 | 275.6 | 27.4 | 314.2 | 32.0 | |
| 105 | 138.7 | 14.0 | 168.5 | 17.2 | 196.6 | 20.3 | 235.2 | 24.7 | 275.6 | 29.6 | 314.2 | 34.5 | |
| 110 | 138.7 | 14.9 | 168.5 | 18.4 | 196.6 | 21.7 | 235.2 | 26.4 | 275.6 | 31.7 | 313.8 | 36.9 | |
| 115 | 138.7 | 15.8 | 168.5 | 19.4 | 196.6 | 22.9 | 235.2 | 28.0 | 271.4 | 33.0 | 286.2 | 35.5 | |
| 118 | 138.7 | 16.3 | 168.5 | 20.0 | 196.6 | 23.6 | 235.2 | 28.7 | 251.7 | 31.3 | 258.8 | 33.0 | |
| 125 | 135.2 | 16.5 | 154.3 | 19.0 | 163.1 | 20.3 | 169.4 | 21.5 | 174.5 | 22.6 | 177.8 | 23.6 | |
| 60% | -10 | 118.9 | 4.1 | 144.4 | 5.1 | 168.5 | 6.0 | 201.6 | 7.3 | 236.2 | 8.7 | 269.3 | 10.2 |
| | -5 | 118.9 | 4.4 | 144.4 | 5.4 | 168.5 | 6.3 | 201.6 | 7.7 | 236.2 | 9.3 | 269.3 | 10.8 |
| | 10 | 118.9 | 4.5 | 144.4 | 5.5 | 168.5 | 6.5 | 201.6 | 7.9 | 236.2 | 9.5 | 269.3 | 11.1 |
| | 15 | 118.9 | 4.6 | 144.4 | 5.6 | 168.5 | 6.6 | 201.6 | 8.1 | 236.2 | 9.7 | 269.3 | 11.3 |
| | 20 | 118.9 | 4.7 | 144.4 | 5.7 | 168.5 | 6.8 | 201.6 | 8.3 | 236.2 | 9.9 | 269.3 | 11.5 |
| | 25 | 118.9 | 4.8 | 144.4 | 5.9 | 168.5 | 6.9 | 201.6 | 8.4 | 236.2 | 10.1 | 269.3 | 11.8 |
| | 30 | 118.9 | 4.9 | 144.4 | 6.0 | 168.5 | 7.1 | 201.6 | 8.6 | 236.2 | 10.3 | 269.3 | 12.1 |
| | 35 | 118.9 | 5.0 | 144.4 | 6.1 | 168.5 | 7.3 | 201.6 | 8.8 | 236.2 | 10.6 | 269.3 | 12.4 |
| | 40 | 118.9 | 5.1 | 144.4 | 6.3 | 168.5 | 7.4 | 201.6 | 9.1 | 236.2 | 10.9 | 269.3 | 12.7 |
| | 45 | 118.9 | 5.3 | 144.4 | 6.5 | 168.5 | 7.6 | 201.6 | 9.3 | 236.2 | 11.1 | 269.3 | 13.0 |
| | 50 | 118.9 | 5.4 | 144.4 | 6.6 | 168.5 | 7.8 | 201.6 | 9.5 | 236.2 | 11.4 | 269.3 | 13.3 |
| | 55 | 118.9 | 5.5 | 144.4 | 6.8 | 168.5 | 8.0 | 201.6 | 9.8 | 236.2 | 11.7 | 269.3 | 13.7 |
| | 60 | 118.9 | 5.7 | 144.4 | 7.0 | 168.5 | 8.2 | 201.6 | 10.0 | 236.2 | 12.0 | 269.3 | 14.1 |
| | 65 | 118.9 | 5.8 | 144.4 | 7.2 | 168.5 | 8.5 | 201.6 | 10.3 | 236.2 | 12.4 | 269.3 | 14.4 |
| | 70 | 118.9 | 6.4 | 144.4 | 7.8 | 168.5 | 9.2 | 201.6 | 11.2 | 236.2 | 13.5 | 269.3 | 15.7 |
| | 75 | 118.9 | 7.0 | 144.4 | 8.6 | 168.5 | 10.1 | 201.6 | 12.3 | 236.2 | 14.8 | 269.3 | 17.3 |
| | 80 | 118.9 | 7.7 | 144.4 | 9.4 | 168.5 | 11.1 | 201.6 | 13.5 | 236.2 | 16.2 | 269.3 | 18.9 |
| | 85 | 118.9 | 8.4 | 144.4 | 10.3 | 168.5 | 12.2 | 201.6 | 14.9 | 236.2 | 17.8 | 269.3 | 20.8 |
| | 90 | 118.9 | 9.2 | 144.4 | 11.3 | 168.5 | 13.4 | 201.6 | 16.3 | 236.2 | 19.5 | 269.3 | 22.8 |
| | 95 | 118.9 | 10.1 | 144.4 | 12.4 | 168.5 | 14.6 | 201.6 | 17.8 | 236.2 | 21.3 | 269.3 | 24.9 |
| 100 | 118.9 | 10.9 | 144.4 | 13.4 | 168.5 | 15.9 | 201.6 | 19.3 | 236.2 | 23.2 | 269.3 | 27.0 | |
| 105 | 118.9 | 11.8 | 144.4 | 14.5 | 168.5 | 17.1 | 201.6 | 20.9 | 236.2 | 25.0 | 269.3 | 29.2 | |
| 110 | 118.9 | 12.6 | 144.4 | 15.5 | 168.5 | 18.3 | 201.6 | 22.3 | 236.2 | 26.7 | 269.3 | 31.2 | |
| 115 | 118.9 | 13.4 | 144.4 | 16.4 | 168.5 | 19.4 | 201.6 | 23.6 | 236.2 | 28.3 | 269.3 | 33.0 | |
| 118 | 118.9 | 13.7 | 144.4 | 16.9 | 168.5 | 19.9 | 201.6 | 24.3 | 236.2 | 29.1 | 253.3 | 31.9 | |
| 125 | 118.9 | 14.3 | 144.4 | 17.6 | 157.9 | 19.4 | 169.4 | 21.2 | 174.5 | 22.3 | 177.8 | 23.3 | |

NOTE - Power Input = Compressor + Outdoor Fan Motor.
 MBH = 1000 BTUs per hour.

COOLING CAPACITY - THREE MODULE | VRB336L4

| Combination (%) | Outdoor Temperature °F (Dry Bulb) | Indoor Temperature - °F (Dry Bulb / Wet Bulb) | | | | | | | | | | | |
|-----------------|-----------------------------------|---|-------------|------------|-------------|------------|-------------|------------|-------------|------------|-------------|------------|-------------|
| | | 67 / 57 | | 71 / 60 | | 75 / 63 | | 80 / 67 | | 85 / 71 | | 90 / 75 | |
| | | Total Cap. | Power Input | Total Cap. | Power Input | Total Cap. | Power Input | Total Cap. | Power Input | Total Cap. | Power Input | Total Cap. | Power Input |
| | | MBH | kW | MBH | kW | MBH | kW | MBH | kW | MBH | kW | MBH | kW |
| 50% | -10 | 92.5 | 3.2 | 120.4 | 4.2 | 140.4 | 4.9 | 168.0 | 6.0 | 196.8 | 7.2 | 224.4 | 8.4 |
| | -5 | 99.0 | 3.6 | 120.4 | 4.4 | 140.4 | 5.2 | 168.0 | 6.4 | 196.8 | 7.6 | 224.4 | 8.9 |
| | 10 | 99.0 | 3.7 | 120.4 | 4.5 | 140.4 | 5.3 | 168.0 | 6.5 | 196.8 | 7.8 | 224.4 | 9.1 |
| | 15 | 99.0 | 3.8 | 120.4 | 4.6 | 140.4 | 5.4 | 168.0 | 6.6 | 196.8 | 7.9 | 224.4 | 9.3 |
| | 20 | 99.0 | 3.8 | 120.4 | 4.7 | 140.4 | 5.6 | 168.0 | 6.8 | 196.8 | 8.1 | 224.4 | 9.5 |
| | 25 | 99.0 | 3.9 | 120.4 | 4.8 | 140.4 | 5.7 | 168.0 | 6.9 | 196.8 | 8.3 | 224.4 | 9.7 |
| | 30 | 99.0 | 4.0 | 120.4 | 4.9 | 140.4 | 5.8 | 168.0 | 7.1 | 196.8 | 8.5 | 224.4 | 9.9 |
| | 35 | 99.0 | 4.1 | 120.4 | 5.1 | 140.4 | 6.0 | 168.0 | 7.3 | 196.8 | 8.7 | 224.4 | 10.2 |
| | 40 | 99.0 | 4.2 | 120.4 | 5.2 | 140.4 | 6.1 | 168.0 | 7.4 | 196.8 | 8.9 | 224.4 | 10.4 |
| | 45 | 99.0 | 4.3 | 120.4 | 5.3 | 140.4 | 6.3 | 168.0 | 7.6 | 196.8 | 9.1 | 224.4 | 10.7 |
| | 50 | 99.0 | 4.4 | 120.4 | 5.4 | 140.4 | 6.4 | 168.0 | 7.8 | 196.8 | 9.4 | 224.4 | 11.0 |
| | 55 | 99.0 | 4.5 | 120.4 | 5.6 | 140.4 | 6.6 | 168.0 | 8.0 | 196.8 | 9.6 | 224.4 | 11.2 |
| | 60 | 99.0 | 4.7 | 120.4 | 5.7 | 140.4 | 6.8 | 168.0 | 8.3 | 196.8 | 9.9 | 224.4 | 11.5 |
| | 65 | 99.0 | 4.8 | 120.4 | 5.9 | 140.4 | 7.0 | 168.0 | 8.5 | 196.8 | 10.2 | 224.4 | 11.9 |
| | 70 | 99.0 | 5.2 | 120.4 | 6.4 | 140.4 | 7.6 | 168.0 | 9.2 | 196.8 | 11.1 | 224.4 | 12.9 |
| | 75 | 99.0 | 5.7 | 120.4 | 7.0 | 140.4 | 8.3 | 168.0 | 10.1 | 196.8 | 12.1 | 224.4 | 14.2 |
| | 80 | 99.0 | 6.3 | 120.4 | 7.7 | 140.4 | 9.1 | 168.0 | 11.1 | 196.8 | 13.3 | 224.4 | 15.6 |
| | 85 | 99.0 | 6.9 | 120.4 | 8.5 | 140.4 | 10.0 | 168.0 | 12.2 | 196.8 | 14.6 | 224.4 | 17.1 |
| | 90 | 99.0 | 7.6 | 120.4 | 9.3 | 140.4 | 11.0 | 168.0 | 13.4 | 196.8 | 16.0 | 224.4 | 18.7 |
| | 95 | 99.0 | 8.3 | 120.4 | 10.2 | 140.4 | 12.0 | 168.0 | 14.6 | 196.8 | 17.5 | 224.4 | 20.4 |
| 100 | 99.0 | 9.0 | 120.4 | 11.0 | 140.4 | 13.0 | 168.0 | 15.9 | 196.8 | 19.0 | 224.4 | 22.2 | |
| 105 | 99.0 | 9.7 | 120.4 | 11.9 | 140.4 | 14.1 | 168.0 | 17.1 | 196.8 | 20.5 | 224.4 | 24.0 | |
| 110 | 99.0 | 10.4 | 120.4 | 12.7 | 140.4 | 15.1 | 168.0 | 18.3 | 196.8 | 22.0 | 224.4 | 25.7 | |
| 115 | 99.0 | 11.0 | 120.4 | 13.5 | 140.4 | 15.9 | 168.0 | 19.4 | 196.8 | 23.3 | 224.4 | 27.2 | |
| 118 | 99.0 | 11.3 | 120.4 | 13.9 | 140.4 | 16.4 | 168.0 | 20.0 | 196.8 | 23.9 | 224.4 | 27.9 | |
| 125 | 99.0 | 11.8 | 120.4 | 14.5 | 140.4 | 17.1 | 162.0 | 20.0 | 173.7 | 21.9 | 177.8 | 22.9 | |

NOTE - Power Input = Compressor + Outdoor Fan Motor.
 MBH = 1000 BTUs per hour.

HEATING CAPACITY - THREE MODULE | VRB336L4

| Combination (%) | Outdoor Temperature (°F) | | Indoor Temperature - °F Dry Bulb | | | | | | | | | | | |
|-----------------|--------------------------|----------|----------------------------------|----------------|----------------|----------------|----------------|----------------|----------------|----------------|----------------|----------------|----------------|----------------|
| | | | 61 | | 64 | | 67 | | 70 | | 73 | | 75 | |
| | Dry Bulb | Wet Bulb | Total Cap. MBH | Power Input kW | Total Cap. MBH | Power Input kW | Total Cap. MBH | Power Input kW | Total Cap. MBH | Power Input kW | Total Cap. MBH | Power Input kW | Total Cap. MBH | Power Input kW |
| 130% | -22 | -23 | 247.7 | 40.2 | 242.5 | 41.4 | 238.0 | 42.6 | 233.6 | 43.9 | 229.6 | 45.0 | 227.2 | 29.1 |
| | -17 | -18 | 297.1 | 43.7 | 291.8 | 44.8 | 287.2 | 46.0 | 282.7 | 47.3 | 278.5 | 48.4 | 276.0 | 31.0 |
| | -13 | -14 | 336.0 | 46.7 | 333.6 | 48.0 | 331.4 | 49.5 | 329.3 | 51.0 | 327.4 | 52.3 | 326.2 | 33.1 |
| | -8 | -9 | 355.3 | 48.2 | 354.2 | 49.7 | 353.3 | 51.2 | 352.3 | 52.8 | 351.4 | 54.3 | 350.8 | 34.3 |
| | -3 | -4 | 371.1 | 49.2 | 370.3 | 50.7 | 369.6 | 52.3 | 368.8 | 54.0 | 368.0 | 55.4 | 367.5 | 35.0 |
| | 2 | 1 | 387.1 | 50.3 | 386.1 | 51.8 | 385.2 | 53.4 | 384.2 | 55.1 | 383.2 | 56.6 | 382.5 | 36.0 |
| | 7 | 6 | 404.5 | 50.4 | 403.1 | 52.0 | 401.8 | 53.5 | 400.5 | 55.2 | 399.1 | 56.7 | 398.2 | 36.0 |
| | 12 | 10 | 420.3 | 50.7 | 418.7 | 52.3 | 417.1 | 53.8 | 415.4 | 55.5 | 413.8 | 57.0 | 412.7 | 36.2 |
| | 17 | 15 | 442.8 | 51.4 | 440.8 | 52.9 | 438.9 | 54.4 | 436.8 | 56.1 | 434.8 | 57.6 | 432.9 | 36.2 |
| | 22 | 20 | 466.7 | 52.1 | 464.3 | 53.7 | 462.0 | 55.2 | 459.7 | 57.2 | 460.3 | 56.3 | 440.3 | 33.8 |
| | 27 | 24 | 488.5 | 53.0 | 485.8 | 54.5 | 483.3 | 56.0 | 479.3 | 55.5 | 460.3 | 52.2 | 440.3 | 31.2 |
| | 32 | 29 | 515.7 | 54.1 | 512.6 | 55.6 | 508.0 | 55.1 | 491.4 | 51.5 | 460.3 | 47.2 | 440.3 | 28.2 |
| | 37 | 34 | 545.3 | 55.4 | 538.3 | 54.6 | 522.5 | 51.0 | 491.4 | 46.3 | 460.3 | 42.6 | 440.3 | 25.6 |
| | 42 | 38 | 566.1 | 54.5 | 551.7 | 51.3 | 522.5 | 46.8 | 491.4 | 42.7 | 460.3 | 39.6 | 440.3 | 23.7 |
| | 47 | 43 | 582.7 | 50.3 | 551.7 | 45.9 | 522.5 | 42.1 | 491.4 | 38.8 | 460.3 | 36.0 | 440.3 | 21.6 |
| | 52 | 47 | 582.7 | 46.1 | 551.7 | 42.2 | 522.5 | 39.1 | 491.4 | 36.0 | 460.3 | 33.5 | 440.3 | 20.1 |
| | 57 | 52 | 582.7 | 41.4 | 551.7 | 38.4 | 522.5 | 35.5 | 491.4 | 32.8 | 460.3 | 30.4 | 440.3 | 18.3 |
| | 62 | 56 | 582.7 | 38.4 | 551.7 | 35.6 | 522.5 | 33.0 | 491.4 | 30.4 | 460.3 | 28.2 | 440.3 | 17.0 |
| | 67 | 61 | 582.7 | 34.9 | 551.7 | 32.3 | 522.5 | 29.9 | 491.4 | 27.6 | 460.3 | 25.7 | 440.3 | 15.5 |
| | 72 | 66 | 582.7 | 31.6 | 551.7 | 29.2 | 522.5 | 27.1 | 491.4 | 25.1 | 460.3 | 23.4 | 440.3 | 14.1 |
| 75 | 69 | 582.7 | 29.7 | 551.7 | 27.5 | 522.5 | 25.5 | 491.4 | 23.6 | 460.3 | 22.1 | 440.3 | 13.3 | |
| 80 | 74 | 582.7 | 26.8 | 551.7 | 25.0 | 522.5 | 23.2 | 491.4 | 21.6 | 460.3 | 20.2 | 440.3 | 12.2 | |
| 120% | -22 | -23 | 244.5 | 40.8 | 239.6 | 41.9 | 235.3 | 43.1 | 231.0 | 44.5 | 227.2 | 45.6 | 224.9 | 29.5 |
| | -17 | -18 | 292.8 | 44.3 | 287.7 | 45.4 | 283.4 | 46.6 | 279.1 | 47.9 | 275.1 | 49.1 | 272.8 | 31.5 |
| | -13 | -14 | 333.1 | 47.5 | 330.7 | 48.9 | 328.7 | 50.4 | 326.7 | 51.9 | 324.9 | 53.3 | 323.8 | 33.7 |
| | -8 | -9 | 353.2 | 49.2 | 352.2 | 50.7 | 351.3 | 52.3 | 350.3 | 53.9 | 349.4 | 55.4 | 348.9 | 34.9 |
| | -3 | -4 | 369.1 | 50.2 | 368.4 | 51.8 | 367.6 | 53.4 | 366.8 | 55.1 | 366.1 | 56.6 | 365.6 | 35.7 |
| | 2 | 1 | 385.0 | 51.4 | 384.0 | 53.0 | 383.1 | 54.6 | 382.0 | 56.3 | 381.0 | 57.8 | 379.9 | 36.7 |
| | 7 | 6 | 402.1 | 51.6 | 400.7 | 53.2 | 399.4 | 54.8 | 398.0 | 56.5 | 396.7 | 57.9 | 397.3 | 37.0 |
| | 12 | 10 | 417.6 | 52.0 | 416.0 | 53.5 | 414.4 | 55.1 | 412.7 | 56.8 | 413.5 | 58.1 | 406.4 | 35.7 |
| | 17 | 15 | 439.7 | 52.6 | 437.7 | 54.2 | 435.8 | 55.8 | 433.8 | 56.8 | 424.9 | 54.7 | 406.4 | 32.9 |
| | 22 | 20 | 463.2 | 53.5 | 460.8 | 55.0 | 458.6 | 56.4 | 453.6 | 54.1 | 424.9 | 50.1 | 406.4 | 30.1 |
| | 27 | 24 | 484.7 | 54.4 | 482.0 | 56.3 | 482.3 | 54.6 | 453.6 | 50.0 | 424.9 | 46.1 | 406.4 | 27.7 |
| | 32 | 29 | 513.4 | 55.9 | 509.2 | 54.0 | 482.3 | 49.6 | 453.6 | 45.3 | 424.9 | 41.9 | 406.4 | 25.2 |
| | 37 | 34 | 537.9 | 52.9 | 509.2 | 48.6 | 482.3 | 44.6 | 453.6 | 41.0 | 424.9 | 38.1 | 406.4 | 22.9 |
| | 42 | 38 | 537.9 | 48.6 | 509.2 | 44.6 | 482.3 | 41.2 | 453.6 | 38.0 | 424.9 | 35.4 | 406.4 | 21.4 |
| | 47 | 43 | 537.9 | 43.5 | 509.2 | 40.3 | 482.3 | 37.4 | 453.6 | 34.6 | 424.9 | 32.3 | 406.4 | 19.5 |
| | 52 | 47 | 537.9 | 40.2 | 509.2 | 37.4 | 482.3 | 34.7 | 453.6 | 32.1 | 424.9 | 30.0 | 406.4 | 18.1 |
| | 57 | 52 | 537.9 | 36.5 | 509.2 | 34.0 | 482.3 | 31.6 | 453.6 | 29.2 | 424.9 | 27.3 | 406.4 | 16.5 |
| | 62 | 56 | 537.9 | 33.8 | 509.2 | 31.5 | 482.3 | 29.3 | 453.6 | 27.1 | 424.9 | 25.4 | 406.4 | 15.4 |
| | 67 | 61 | 537.9 | 30.7 | 509.2 | 28.5 | 482.3 | 26.5 | 453.6 | 24.7 | 424.9 | 23.1 | 406.4 | 14.0 |
| | 72 | 66 | 537.9 | 27.7 | 509.2 | 25.8 | 482.3 | 24.1 | 453.6 | 22.5 | 424.9 | 21.0 | 406.4 | 12.7 |
| 75 | 69 | 537.9 | 26.0 | 509.2 | 24.3 | 482.3 | 22.8 | 453.6 | 21.2 | 424.9 | 19.9 | 406.4 | 12.0 | |
| 80 | 74 | 537.9 | 23.7 | 509.2 | 22.2 | 482.3 | 20.8 | 453.6 | 19.4 | 424.9 | 18.2 | 406.4 | 11.0 | |

NOTE - Power Input = Compressor + Outdoor Fan Motor.
 MBH = 1000 BTUs per hour.

HEATING CAPACITY - THREE MODULE | VRB336L4

| Combination (%) | Outdoor Temperature (°F) | | Indoor Temperature - °F Dry Bulb | | | | | | | | | | | |
|-----------------|--------------------------|----------|----------------------------------|----------------|----------------|----------------|----------------|----------------|----------------|----------------|----------------|----------------|----------------|----------------|
| | | | 61 | | 64 | | 67 | | 70 | | 73 | | 75 | |
| | Dry Bulb | Wet Bulb | Total Cap. MBH | Power Input kW | Total Cap. MBH | Power Input kW | Total Cap. MBH | Power Input kW | Total Cap. MBH | Power Input kW | Total Cap. MBH | Power Input kW | Total Cap. MBH | Power Input kW |
| 110% | -22 | -23 | 240.7 | 41.4 | 236.2 | 42.6 | 232.2 | 43.8 | 228.3 | 45.1 | 224.7 | 46.3 | 222.5 | 29.9 |
| | -17 | -18 | 288.2 | 45.0 | 283.5 | 46.2 | 279.4 | 47.4 | 275.4 | 48.7 | 271.7 | 49.9 | 269.5 | 32.0 |
| | -13 | -14 | 330.1 | 48.6 | 327.9 | 50.0 | 326.0 | 51.5 | 324.1 | 53.0 | 322.4 | 54.4 | 321.3 | 34.4 |
| | -8 | -9 | 351.1 | 50.4 | 350.1 | 51.9 | 349.3 | 53.5 | 348.4 | 55.2 | 347.5 | 56.8 | 347.0 | 35.8 |
| | -3 | -4 | 367.2 | 51.5 | 366.4 | 53.2 | 365.7 | 54.8 | 364.9 | 56.5 | 364.2 | 57.7 | 360.4 | 36.2 |
| | 2 | 1 | 382.9 | 52.8 | 381.9 | 54.4 | 380.9 | 56.1 | 379.9 | 57.6 | 377.3 | 58.4 | 372.5 | 36.4 |
| | 7 | 6 | 399.6 | 53.0 | 398.2 | 54.6 | 396.9 | 56.3 | 395.6 | 57.4 | 389.5 | 56.0 | 372.5 | 34.1 |
| | 12 | 10 | 414.8 | 53.4 | 413.1 | 55.0 | 411.6 | 57.1 | 415.8 | 56.6 | 389.5 | 52.8 | 372.5 | 32.0 |
| | 17 | 15 | 436.5 | 54.1 | 434.5 | 55.7 | 432.6 | 55.6 | 415.8 | 52.1 | 389.5 | 48.4 | 372.5 | 29.3 |
| | 22 | 20 | 459.5 | 55.1 | 456.2 | 54.9 | 442.1 | 51.7 | 415.8 | 47.5 | 389.5 | 44.1 | 372.5 | 26.7 |
| | 27 | 24 | 479.6 | 54.5 | 466.8 | 51.7 | 442.1 | 47.7 | 415.8 | 43.8 | 389.5 | 40.9 | 372.5 | 24.7 |
| | 32 | 29 | 493.1 | 50.7 | 466.8 | 46.8 | 442.1 | 43.2 | 415.8 | 39.9 | 389.5 | 37.3 | 372.5 | 22.5 |
| | 37 | 34 | 493.1 | 45.5 | 466.8 | 42.1 | 442.1 | 39.2 | 415.8 | 36.3 | 389.5 | 34.0 | 372.5 | 20.6 |
| | 42 | 38 | 493.1 | 41.8 | 466.8 | 39.0 | 442.1 | 36.3 | 415.8 | 33.7 | 389.5 | 31.6 | 372.5 | 19.1 |
| | 47 | 43 | 493.1 | 38.0 | 466.8 | 35.4 | 442.1 | 33.1 | 415.8 | 30.7 | 389.5 | 28.8 | 372.5 | 17.4 |
| | 52 | 47 | 493.1 | 35.2 | 466.8 | 32.9 | 442.1 | 30.7 | 415.8 | 28.5 | 389.5 | 26.8 | 372.5 | 16.3 |
| | 57 | 52 | 493.1 | 32.0 | 466.8 | 29.9 | 442.1 | 27.9 | 415.8 | 26.0 | 389.5 | 24.5 | 372.5 | 14.8 |
| | 62 | 56 | 493.1 | 29.6 | 466.8 | 27.7 | 442.1 | 25.9 | 415.8 | 24.2 | 389.5 | 22.8 | 372.5 | 13.8 |
| | 67 | 61 | 493.1 | 26.8 | 466.8 | 25.1 | 442.1 | 23.6 | 415.8 | 22.0 | 389.5 | 20.7 | 372.5 | 12.5 |
| | 72 | 66 | 493.1 | 24.3 | 466.8 | 22.8 | 442.1 | 21.4 | 415.8 | 20.0 | 389.5 | 18.8 | 372.5 | 11.4 |
| 75 | 69 | 493.1 | 22.9 | 466.8 | 21.5 | 442.1 | 20.2 | 415.8 | 18.9 | 389.5 | 17.8 | 372.5 | 10.8 | |
| 80 | 74 | 493.1 | 20.8 | 466.8 | 19.6 | 442.1 | 18.5 | 415.8 | 17.3 | 389.5 | 16.4 | 372.5 | 10.1 | |
| 100% | -22 | -23 | 236.7 | 42.1 | 232.4 | 43.4 | 228.7 | 44.6 | 225.0 | 45.9 | 221.7 | 47.2 | 219.7 | 30.5 |
| | -17 | -18 | 283.5 | 45.9 | 279.1 | 47.1 | 275.3 | 48.4 | 271.5 | 49.7 | 268.1 | 50.9 | 266.0 | 32.7 |
| | -13 | -14 | 327.0 | 49.8 | 325.0 | 51.3 | 323.2 | 52.8 | 321.5 | 54.4 | 319.9 | 55.8 | 318.9 | 35.3 |
| | -8 | -9 | 349.1 | 51.2 | 348.1 | 52.9 | 347.3 | 54.4 | 346.5 | 56.2 | 349.7 | 58.6 | 338.7 | 57.1 |
| | -3 | -4 | 365.3 | 52.5 | 364.5 | 54.2 | 363.8 | 55.8 | 363.1 | 57.6 | 354.1 | 56.8 | 338.7 | 54.5 |
| | 2 | 1 | 380.7 | 53.8 | 379.7 | 55.5 | 378.8 | 57.2 | 378.0 | 58.3 | 354.1 | 54.5 | 338.7 | 52.0 |
| | 7 | 6 | 397.0 | 54.1 | 395.6 | 55.8 | 395.5 | 57.5 | 378.0 | 54.6 | 354.1 | 50.8 | 338.7 | 48.3 |
| | 12 | 10 | 411.8 | 54.6 | 412.3 | 56.5 | 401.9 | 55.2 | 378.0 | 51.4 | 354.1 | 47.6 | 338.7 | 45.1 |
| | 17 | 15 | 434.4 | 55.4 | 424.4 | 54.3 | 401.9 | 50.8 | 378.0 | 47.0 | 354.1 | 43.4 | 338.7 | 41.4 |
| | 22 | 20 | 448.3 | 53.5 | 424.4 | 49.8 | 401.9 | 46.3 | 378.0 | 42.8 | 354.1 | 39.8 | 338.7 | 37.9 |
| | 27 | 24 | 448.3 | 49.4 | 424.4 | 45.8 | 401.9 | 42.5 | 378.0 | 39.6 | 354.1 | 36.8 | 338.7 | 35.1 |
| | 32 | 29 | 448.3 | 44.6 | 424.4 | 41.4 | 401.9 | 38.8 | 378.0 | 36.2 | 354.1 | 33.7 | 338.7 | 32.1 |
| | 37 | 34 | 448.3 | 40.2 | 424.4 | 37.6 | 401.9 | 35.3 | 378.0 | 33.0 | 354.1 | 30.7 | 338.7 | 29.2 |
| | 42 | 38 | 448.3 | 37.3 | 424.4 | 34.9 | 401.9 | 32.8 | 378.0 | 30.6 | 354.1 | 28.5 | 338.7 | 27.3 |
| | 47 | 43 | 448.3 | 33.9 | 424.4 | 31.8 | 401.9 | 29.9 | 378.0 | 27.9 | 354.1 | 26.1 | 338.7 | 25.0 |
| | 52 | 47 | 448.3 | 31.5 | 424.4 | 29.5 | 401.9 | 27.7 | 378.0 | 26.0 | 354.1 | 24.4 | 338.7 | 23.3 |
| | 57 | 52 | 448.3 | 28.6 | 424.4 | 26.7 | 401.9 | 25.3 | 378.0 | 23.7 | 354.1 | 22.2 | 338.7 | 21.2 |
| | 62 | 56 | 448.3 | 26.4 | 424.4 | 24.9 | 401.9 | 23.5 | 378.0 | 22.0 | 354.1 | 20.6 | 338.7 | 19.7 |
| | 67 | 61 | 448.3 | 24.0 | 424.4 | 22.6 | 401.9 | 21.4 | 378.0 | 20.0 | 354.1 | 18.7 | 338.7 | 17.9 |
| | 72 | 66 | 448.3 | 21.8 | 424.4 | 20.5 | 401.9 | 19.4 | 378.0 | 18.2 | 354.1 | 17.1 | 338.7 | 16.5 |
| 75 | 69 | 448.3 | 20.5 | 424.4 | 19.4 | 401.9 | 18.3 | 378.0 | 17.2 | 354.1 | 16.3 | 338.7 | 15.6 | |
| 80 | 74 | 448.3 | 18.7 | 424.4 | 17.7 | 401.9 | 16.8 | 378.0 | 15.9 | 354.1 | 15.0 | 338.7 | 14.5 | |

NOTE - Power Input = Compressor + Outdoor Fan Motor.
 MBH = 1000 BTUs per hour.

HEATING CAPACITY - THREE MODULE | VRB336L4

| Combination (%) | Outdoor Temperature (°F) | | Indoor Temperature - °F Dry Bulb | | | | | | | | | | | |
|-----------------|--------------------------|----------|----------------------------------|----------------|----------------|----------------|----------------|----------------|----------------|----------------|----------------|----------------|----------------|----------------|
| | | | 61 | | 64 | | 67 | | 70 | | 73 | | 75 | |
| | Dry Bulb | Wet Bulb | Total Cap. MBH | Power Input kW | Total Cap. MBH | Power Input kW | Total Cap. MBH | Power Input kW | Total Cap. MBH | Power Input kW | Total Cap. MBH | Power Input kW | Total Cap. MBH | Power Input kW |
| 90% | -22 | -23 | 232.4 | 42.6 | 228.4 | 43.9 | 224.9 | 45.1 | 221.5 | 46.4 | 218.4 | 47.8 | 216.6 | 48.8 |
| | -17 | -18 | 278.4 | 46.6 | 274.4 | 47.8 | 270.9 | 49.1 | 267.5 | 50.4 | 264.3 | 51.8 | 262.4 | 52.8 |
| | -13 | -14 | 323.8 | 50.8 | 322.0 | 52.3 | 320.4 | 53.8 | 318.8 | 55.5 | 318.7 | 57.1 | 304.8 | 55.3 |
| | -8 | -9 | 347.0 | 53.1 | 346.1 | 54.7 | 345.3 | 56.4 | 340.2 | 56.6 | 318.7 | 53.6 | 304.8 | 51.7 |
| | -3 | -4 | 363.3 | 54.5 | 362.6 | 56.2 | 361.7 | 57.2 | 340.2 | 54.0 | 318.7 | 50.8 | 304.8 | 48.8 |
| | 2 | 1 | 378.4 | 55.9 | 381.9 | 58.0 | 361.7 | 54.8 | 340.2 | 51.6 | 318.7 | 48.3 | 304.8 | 46.2 |
| | 7 | 6 | 395.6 | 56.3 | 381.9 | 54.3 | 361.7 | 51.2 | 340.2 | 47.8 | 318.7 | 44.6 | 304.8 | 42.9 |
| | 12 | 10 | 403.4 | 54.4 | 381.9 | 51.1 | 361.7 | 48.0 | 340.2 | 44.6 | 318.7 | 41.9 | 304.8 | 40.1 |
| | 17 | 15 | 403.4 | 50.1 | 381.9 | 46.8 | 361.7 | 43.7 | 340.2 | 40.9 | 318.7 | 38.3 | 304.8 | 36.6 |
| | 22 | 20 | 403.4 | 45.6 | 381.9 | 42.4 | 361.7 | 40.0 | 340.2 | 37.4 | 318.7 | 35.0 | 304.8 | 33.4 |
| | 27 | 24 | 403.4 | 41.8 | 381.9 | 39.3 | 361.7 | 37.0 | 340.2 | 34.6 | 318.7 | 32.4 | 304.8 | 30.9 |
| | 32 | 29 | 403.4 | 38.2 | 381.9 | 35.8 | 361.7 | 33.8 | 340.2 | 31.7 | 318.7 | 29.6 | 304.8 | 28.3 |
| | 37 | 34 | 403.4 | 34.7 | 381.9 | 32.7 | 361.7 | 30.8 | 340.2 | 28.8 | 318.7 | 27.1 | 304.8 | 26.0 |
| | 42 | 38 | 403.4 | 32.2 | 381.9 | 30.3 | 361.7 | 28.5 | 340.2 | 26.9 | 318.7 | 25.3 | 304.8 | 24.3 |
| | 47 | 43 | 403.4 | 29.3 | 381.9 | 27.5 | 361.7 | 26.1 | 340.2 | 24.6 | 318.7 | 23.2 | 304.8 | 22.3 |
| | 52 | 47 | 403.4 | 27.1 | 381.9 | 25.7 | 361.7 | 24.3 | 340.2 | 22.9 | 318.7 | 21.6 | 304.8 | 20.7 |
| | 57 | 52 | 403.4 | 24.7 | 381.9 | 23.4 | 361.7 | 22.2 | 340.2 | 20.9 | 318.7 | 19.6 | 304.8 | 18.8 |
| | 62 | 56 | 403.4 | 23.0 | 381.9 | 21.7 | 361.7 | 20.6 | 340.2 | 19.4 | 318.7 | 18.2 | 304.8 | 17.4 |
| | 67 | 61 | 403.4 | 20.8 | 381.9 | 19.7 | 361.7 | 18.7 | 340.2 | 17.6 | 318.7 | 16.6 | 304.8 | 16.0 |
| | 72 | 66 | 403.4 | 18.9 | 381.9 | 17.9 | 361.7 | 17.0 | 340.2 | 16.1 | 318.7 | 15.2 | 304.8 | 14.6 |
| 75 | 69 | 403.4 | 17.8 | 381.9 | 16.9 | 361.7 | 16.1 | 340.2 | 15.3 | 318.7 | 14.4 | 304.8 | 13.9 | |
| 80 | 74 | 403.4 | 16.3 | 381.9 | 15.6 | 361.7 | 14.9 | 340.2 | 14.2 | 318.7 | 13.3 | 304.8 | 12.9 | |
| 80% | -22 | -23 | 227.7 | 43.8 | 224.1 | 45.0 | 220.9 | 46.3 | 217.8 | 47.7 | 215.0 | 49.1 | 213.4 | 50.0 |
| | -17 | -18 | 273.0 | 48.0 | 269.4 | 49.3 | 266.3 | 50.5 | 263.2 | 51.9 | 260.3 | 53.4 | 258.7 | 54.4 |
| | -13 | -14 | 320.5 | 52.8 | 318.9 | 54.4 | 321.5 | 56.5 | 302.4 | 54.1 | 283.3 | 51.6 | 270.9 | 50.0 |
| | -8 | -9 | 344.9 | 55.4 | 339.5 | 55.5 | 321.5 | 53.0 | 302.4 | 50.5 | 283.3 | 47.9 | 270.9 | 46.5 |
| | -3 | -4 | 358.6 | 55.6 | 339.5 | 52.9 | 321.5 | 50.3 | 302.4 | 47.6 | 283.3 | 45.1 | 270.9 | 43.7 |
| | 2 | 1 | 358.6 | 53.2 | 339.5 | 50.4 | 321.5 | 47.8 | 302.4 | 45.0 | 283.3 | 42.8 | 270.9 | 41.3 |
| | 7 | 6 | 358.6 | 49.6 | 339.5 | 46.7 | 321.5 | 44.1 | 302.4 | 41.8 | 283.3 | 39.4 | 270.9 | 37.9 |
| | 12 | 10 | 358.6 | 46.4 | 339.5 | 43.6 | 321.5 | 41.4 | 302.4 | 39.1 | 283.3 | 36.7 | 270.9 | 35.2 |
| | 17 | 15 | 358.6 | 42.2 | 339.5 | 40.0 | 321.5 | 37.8 | 302.4 | 35.6 | 283.3 | 33.4 | 270.9 | 32.0 |
| | 22 | 20 | 358.6 | 38.7 | 339.5 | 36.5 | 321.5 | 34.5 | 302.4 | 32.5 | 283.3 | 30.5 | 270.9 | 29.1 |
| | 27 | 24 | 358.6 | 35.8 | 339.5 | 33.8 | 321.5 | 32.0 | 302.4 | 30.0 | 283.3 | 28.2 | 270.9 | 27.2 |
| | 32 | 29 | 358.6 | 32.6 | 339.5 | 30.8 | 321.5 | 29.2 | 302.4 | 27.5 | 283.3 | 26.0 | 270.9 | 25.1 |
| | 37 | 34 | 358.6 | 29.7 | 339.5 | 28.0 | 321.5 | 26.7 | 302.4 | 25.3 | 283.3 | 23.9 | 270.9 | 23.0 |
| | 42 | 38 | 358.6 | 27.5 | 339.5 | 26.2 | 321.5 | 24.9 | 302.4 | 23.6 | 283.3 | 22.3 | 270.9 | 21.5 |
| | 47 | 43 | 358.6 | 25.2 | 339.5 | 24.0 | 321.5 | 22.8 | 302.4 | 21.6 | 283.3 | 20.4 | 270.9 | 19.6 |
| | 52 | 47 | 358.6 | 23.5 | 339.5 | 22.3 | 321.5 | 21.2 | 302.4 | 20.0 | 283.3 | 18.9 | 270.9 | 18.2 |
| | 57 | 52 | 358.6 | 21.3 | 339.5 | 20.3 | 321.5 | 19.3 | 302.4 | 18.2 | 283.3 | 17.2 | 270.9 | 16.6 |
| | 62 | 56 | 358.6 | 19.8 | 339.5 | 18.8 | 321.5 | 17.8 | 302.4 | 16.9 | 283.3 | 16.0 | 270.9 | 15.4 |
| | 67 | 61 | 358.6 | 17.9 | 339.5 | 17.0 | 321.5 | 16.3 | 302.4 | 15.5 | 283.3 | 14.6 | 270.9 | 14.0 |
| | 72 | 66 | 358.6 | 16.3 | 339.5 | 15.6 | 321.5 | 14.9 | 302.4 | 14.1 | 283.3 | 13.4 | 270.9 | 13.2 |
| 75 | 69 | 358.6 | 15.5 | 339.5 | 14.8 | 321.5 | 14.1 | 302.4 | 13.4 | 283.3 | 13.0 | 270.9 | 12.6 | |
| 80 | 74 | 358.6 | 14.3 | 339.5 | 13.6 | 321.5 | 13.1 | 302.4 | 12.6 | 283.3 | 12.0 | 270.9 | 11.5 | |

NOTE - Power Input = Compressor + Outdoor Fan Motor.
 MBH = 1000 BTUs per hour.

HEATING CAPACITY - THREE MODULE | VRB336L4

| Combination (%) | Outdoor Temperature (°F) | | Indoor Temperature - °F Dry Bulb | | | | | | | | | | | |
|-----------------|--------------------------|----------|----------------------------------|----------------|----------------|----------------|----------------|----------------|----------------|----------------|----------------|----------------|----------------|----------------|
| | | | 61 | | 64 | | 67 | | 70 | | 73 | | 75 | |
| | Dry Bulb | Wet Bulb | Total Cap. MBH | Power Input kW | Total Cap. MBH | Power Input kW | Total Cap. MBH | Power Input kW | Total Cap. MBH | Power Input kW | Total Cap. MBH | Power Input kW | Total Cap. MBH | Power Input kW |
| 70% | -22 | -23 | 222.7 | 45.2 | 219.4 | 46.6 | 216.6 | 47.8 | 213.9 | 49.3 | 211.4 | 50.7 | 210.0 | 51.7 |
| | -17 | -18 | 267.2 | 49.8 | 264.0 | 51.1 | 261.3 | 52.5 | 259.0 | 54.0 | 247.9 | 53.7 | 237.1 | 52.6 |
| | -13 | -14 | 313.8 | 54.2 | 297.1 | 52.2 | 281.3 | 50.2 | 264.6 | 48.4 | 247.9 | 46.8 | 237.1 | 45.8 |
| | -8 | -9 | 313.8 | 50.8 | 297.1 | 48.6 | 281.3 | 46.5 | 264.6 | 44.9 | 247.9 | 43.2 | 237.1 | 42.1 |
| | -3 | -4 | 313.8 | 48.0 | 297.1 | 45.7 | 281.3 | 43.9 | 264.6 | 42.1 | 247.9 | 40.3 | 237.1 | 39.1 |
| | 2 | 1 | 313.8 | 45.4 | 297.1 | 43.3 | 281.3 | 41.5 | 264.6 | 39.6 | 247.9 | 37.7 | 237.1 | 36.4 |
| | 7 | 6 | 313.8 | 42.0 | 297.1 | 40.1 | 281.3 | 38.3 | 264.6 | 36.3 | 247.9 | 34.3 | 237.1 | 33.0 |
| | 12 | 10 | 313.8 | 39.4 | 297.1 | 37.4 | 281.3 | 35.6 | 264.6 | 33.7 | 247.9 | 31.7 | 237.1 | 30.5 |
| | 17 | 15 | 313.8 | 35.9 | 297.1 | 34.0 | 281.3 | 32.4 | 264.6 | 30.6 | 247.9 | 28.8 | 237.1 | 27.8 |
| | 22 | 20 | 313.8 | 32.7 | 297.1 | 31.0 | 281.3 | 29.5 | 264.6 | 27.9 | 247.9 | 26.5 | 237.1 | 25.6 |
| | 27 | 24 | 313.8 | 30.3 | 297.1 | 28.7 | 281.3 | 27.3 | 264.6 | 26.0 | 247.9 | 24.7 | 237.1 | 23.9 |
| | 32 | 29 | 313.8 | 27.6 | 297.1 | 26.3 | 281.3 | 25.2 | 264.6 | 24.0 | 247.9 | 22.8 | 237.1 | 22.0 |
| | 37 | 34 | 313.8 | 25.3 | 297.1 | 24.2 | 281.3 | 23.1 | 264.6 | 22.0 | 247.9 | 20.9 | 237.1 | 20.2 |
| | 42 | 38 | 313.8 | 23.6 | 297.1 | 22.6 | 281.3 | 21.6 | 264.6 | 20.5 | 247.9 | 19.5 | 237.1 | 18.8 |
| | 47 | 43 | 313.8 | 21.6 | 297.1 | 20.6 | 281.3 | 19.7 | 264.6 | 18.7 | 247.9 | 17.7 | 237.1 | 17.1 |
| | 52 | 47 | 313.8 | 20.0 | 297.1 | 19.1 | 281.3 | 18.2 | 264.6 | 17.3 | 247.9 | 16.5 | 237.1 | 15.9 |
| | 57 | 52 | 313.8 | 18.2 | 297.1 | 17.3 | 281.3 | 16.6 | 264.6 | 15.8 | 247.9 | 14.9 | 237.1 | 14.4 |
| | 62 | 56 | 313.8 | 16.8 | 297.1 | 16.1 | 281.3 | 15.4 | 264.6 | 14.6 | 247.9 | 13.8 | 237.1 | 13.5 |
| | 67 | 61 | 313.8 | 15.4 | 297.1 | 14.7 | 281.3 | 14.0 | 264.6 | 13.3 | 247.9 | 12.9 | 237.1 | 12.4 |
| | 72 | 66 | 313.8 | 14.0 | 297.1 | 13.4 | 281.3 | 12.9 | 264.6 | 12.5 | 247.9 | 11.9 | 237.1 | 11.5 |
| 75 | 69 | 313.8 | 13.3 | 297.1 | 12.7 | 281.3 | 12.5 | 264.6 | 12.0 | 247.9 | 11.4 | 237.1 | 11.0 | |
| 80 | 74 | 313.8 | 12.4 | 297.1 | 12.1 | 281.3 | 11.6 | 264.6 | 11.0 | 247.9 | 10.4 | 237.1 | 10.0 | |
| 60% | -22 | -23 | 217.1 | 47.3 | 214.4 | 48.6 | 212.0 | 50.0 | 209.7 | 51.4 | 207.6 | 53.0 | 203.2 | 53.4 |
| | -17 | -18 | 261.8 | 52.5 | 254.6 | 52.8 | 241.1 | 51.7 | 226.8 | 50.4 | 212.5 | 49.1 | 203.2 | 48.2 |
| | -13 | -14 | 269.0 | 47.3 | 254.6 | 46.1 | 241.1 | 45.0 | 226.8 | 43.7 | 212.5 | 42.4 | 203.2 | 41.5 |
| | -8 | -9 | 269.0 | 44.0 | 254.6 | 42.6 | 241.1 | 41.4 | 226.8 | 40.0 | 212.5 | 38.5 | 203.2 | 37.6 |
| | -3 | -4 | 269.0 | 41.3 | 254.6 | 39.9 | 241.1 | 38.5 | 226.8 | 37.0 | 212.5 | 35.4 | 203.2 | 34.4 |
| | 2 | 1 | 269.0 | 38.9 | 254.6 | 37.3 | 241.1 | 35.8 | 226.8 | 34.2 | 212.5 | 32.5 | 203.2 | 31.3 |
| | 7 | 6 | 269.0 | 35.6 | 254.6 | 34.0 | 241.1 | 32.5 | 226.8 | 30.9 | 212.5 | 29.3 | 203.2 | 28.2 |
| | 12 | 10 | 269.0 | 33.1 | 254.6 | 31.5 | 241.1 | 30.1 | 226.8 | 28.5 | 212.5 | 27.1 | 203.2 | 26.2 |
| | 17 | 15 | 269.0 | 30.0 | 254.6 | 28.6 | 241.1 | 27.3 | 226.8 | 26.1 | 212.5 | 24.9 | 203.2 | 24.1 |
| | 22 | 20 | 269.0 | 27.3 | 254.6 | 26.2 | 241.1 | 25.2 | 226.8 | 24.0 | 212.5 | 22.9 | 203.2 | 22.2 |
| | 27 | 24 | 269.0 | 25.5 | 254.6 | 24.4 | 241.1 | 23.5 | 226.8 | 22.5 | 212.5 | 21.4 | 203.2 | 20.8 |
| | 32 | 29 | 269.0 | 23.5 | 254.6 | 22.5 | 241.1 | 21.6 | 226.8 | 20.7 | 212.5 | 19.7 | 203.2 | 19.1 |
| | 37 | 34 | 269.0 | 21.5 | 254.6 | 20.6 | 241.1 | 19.8 | 226.8 | 18.9 | 212.5 | 18.0 | 203.2 | 17.4 |
| | 42 | 38 | 269.0 | 20.0 | 254.6 | 19.2 | 241.1 | 18.4 | 226.8 | 17.6 | 212.5 | 16.8 | 203.2 | 16.2 |
| | 47 | 43 | 269.0 | 18.2 | 254.6 | 17.4 | 241.1 | 16.7 | 226.8 | 16.0 | 212.5 | 15.2 | 203.2 | 14.7 |
| | 52 | 47 | 269.0 | 16.8 | 254.6 | 16.2 | 241.1 | 15.5 | 226.8 | 14.8 | 212.5 | 14.1 | 203.2 | 13.8 |
| | 57 | 52 | 269.0 | 15.4 | 254.6 | 14.7 | 241.1 | 14.1 | 226.8 | 13.5 | 212.5 | 13.0 | 203.2 | 12.5 |
| | 62 | 56 | 269.0 | 14.2 | 254.6 | 13.6 | 241.1 | 13.2 | 226.8 | 12.7 | 212.5 | 12.0 | 203.2 | 11.6 |
| | 67 | 61 | 269.0 | 12.9 | 254.6 | 12.7 | 241.1 | 12.1 | 226.8 | 11.6 | 212.5 | 11.0 | 203.2 | 10.6 |
| | 72 | 66 | 269.0 | 12.1 | 254.6 | 11.6 | 241.1 | 11.2 | 226.8 | 10.7 | 212.5 | 10.2 | 203.2 | 9.9 |
| 75 | 69 | 269.0 | 11.6 | 254.6 | 11.1 | 241.1 | 10.7 | 226.8 | 10.3 | 212.5 | 9.9 | 203.2 | 9.6 | |
| 80 | 74 | 269.0 | 10.7 | 254.6 | 10.3 | 241.1 | 9.9 | 226.8 | 9.3 | 212.5 | 8.9 | 203.2 | 8.6 | |

NOTE - Power Input = Compressor + Outdoor Fan Motor.
 MBH = 1000 BTUs per hour.

HEATING CAPACITY - THREE MODULE | VRB336L4

| Combination (%) | Outdoor Temperature (°F) | | Indoor Temperature - °F Dry Bulb | | | | | | | | | | | |
|-----------------|--------------------------|----------|----------------------------------|----------------|----------------|----------------|----------------|----------------|----------------|----------------|----------------|----------------|----------------|----------------|
| | | | 61 | | 64 | | 67 | | 70 | | 73 | | 75 | |
| | Dry Bulb | Wet Bulb | Total Cap. MBH | Power Input kW | Total Cap. MBH | Power Input kW | Total Cap. MBH | Power Input kW | Total Cap. MBH | Power Input kW | Total Cap. MBH | Power Input kW | Total Cap. MBH | Power Input kW |
| 50% | -22 | -23 | 211.0 | 50.1 | 212.2 | 52.4 | 200.9 | 51.6 | 189.0 | 50.6 | 177.1 | 49.7 | 169.3 | 49.0 |
| | -17 | -18 | 224.1 | 48.4 | 212.2 | 47.5 | 200.9 | 46.5 | 189.0 | 45.5 | 177.1 | 44.4 | 169.3 | 43.7 |
| | -13 | -14 | 224.1 | 41.9 | 212.2 | 40.9 | 200.9 | 40.0 | 189.0 | 38.9 | 177.1 | 37.8 | 169.3 | 37.1 |
| | -8 | -9 | 224.1 | 38.3 | 212.2 | 37.2 | 200.9 | 36.2 | 189.0 | 35.0 | 177.1 | 33.8 | 169.3 | 32.7 |
| | -3 | -4 | 224.1 | 35.3 | 212.2 | 34.1 | 200.9 | 32.9 | 189.0 | 31.5 | 177.1 | 30.0 | 169.3 | 28.9 |
| | 2 | 1 | 224.1 | 32.6 | 212.2 | 31.2 | 200.9 | 30.0 | 189.0 | 28.5 | 177.1 | 27.0 | 169.3 | 26.0 |
| | 7 | 6 | 224.1 | 29.4 | 212.2 | 28.1 | 200.9 | 26.9 | 189.0 | 25.7 | 177.1 | 24.5 | 169.3 | 23.7 |
| | 12 | 10 | 224.1 | 27.1 | 212.2 | 26.1 | 200.9 | 25.0 | 189.0 | 24.0 | 177.1 | 22.9 | 169.3 | 22.2 |
| | 17 | 15 | 224.1 | 24.8 | 212.2 | 23.9 | 200.9 | 23.0 | 189.0 | 22.1 | 177.1 | 21.1 | 169.3 | 20.5 |
| | 22 | 20 | 224.1 | 22.9 | 212.2 | 22.0 | 200.9 | 21.2 | 189.0 | 20.4 | 177.1 | 19.6 | 169.3 | 19.0 |
| | 27 | 24 | 224.1 | 21.3 | 212.2 | 20.5 | 200.9 | 19.8 | 189.0 | 19.0 | 177.1 | 18.3 | 169.3 | 17.7 |
| | 32 | 29 | 224.1 | 19.6 | 212.2 | 18.9 | 200.9 | 18.2 | 189.0 | 17.5 | 177.1 | 16.8 | 169.3 | 16.3 |
| | 37 | 34 | 224.1 | 17.9 | 212.2 | 17.2 | 200.9 | 16.7 | 189.0 | 16.0 | 177.1 | 15.3 | 169.3 | 14.9 |
| | 42 | 38 | 224.1 | 16.6 | 212.2 | 16.1 | 200.9 | 15.5 | 189.0 | 14.8 | 177.1 | 14.2 | 169.3 | 13.9 |
| | 47 | 43 | 224.1 | 15.1 | 212.2 | 14.5 | 200.9 | 14.0 | 189.0 | 13.6 | 177.1 | 13.0 | 169.3 | 12.5 |
| | 52 | 47 | 224.1 | 14.0 | 212.2 | 13.4 | 200.9 | 13.1 | 189.0 | 12.6 | 177.1 | 11.9 | 169.3 | 11.6 |
| | 57 | 52 | 224.1 | 12.9 | 212.2 | 12.4 | 200.9 | 11.9 | 189.0 | 11.3 | 177.1 | 10.8 | 169.3 | 10.4 |
| 62 | 56 | 224.1 | 11.9 | 212.2 | 11.5 | 200.9 | 11.0 | 189.0 | 10.5 | 177.1 | 10.0 | 169.3 | 9.7 | |
| 67 | 61 | 224.1 | 10.9 | 212.2 | 10.5 | 200.9 | 10.1 | 189.0 | 9.7 | 177.1 | 9.3 | 169.3 | 9.0 | |
| 72 | 66 | 224.1 | 10.1 | 212.2 | 9.7 | 200.9 | 9.4 | 189.0 | 9.0 | 177.1 | 8.7 | 169.3 | 8.5 | |
| 75 | 69 | 224.1 | 9.7 | 212.2 | 9.4 | 200.9 | 9.1 | 189.0 | 8.8 | 177.1 | 8.5 | 169.3 | 8.3 | |
| 80 | 74 | 224.1 | 9.1 | 212.2 | 8.7 | 200.9 | 8.3 | 189.0 | 7.9 | 177.1 | 7.5 | 169.3 | 7.2 | |

NOTE - Power Input = Compressor + Outdoor Fan Motor.
 MBH = 1000 BTUs per hour.

COOLING CAPACITY - THREE MODULE | VRB360L4

| Combination (%) | Outdoor Temperature °F (Dry Bulb) | Indoor Temperature - °F (Dry Bulb / Wet Bulb) | | | | | | | | | | | |
|-----------------|-----------------------------------|---|-------------|------------|-------------|------------|-------------|------------|-------------|------------|-------------|------------|-------------|
| | | 67 / 57 | | 71 / 60 | | 75 / 63 | | 80 / 67 | | 85 / 71 | | 90 / 75 | |
| | | Total Cap. | Power Input | Total Cap. | Power Input | Total Cap. | Power Input | Total Cap. | Power Input | Total Cap. | Power Input | Total Cap. | Power Input |
| | | MBH | KW | MBH | KW | MBH | KW | MBH | KW | MBH | KW | MBH | KW |
| 130% | -10 | 275.9 | 10.6 | 335.3 | 13.0 | 391.2 | 15.4 | 468.0 | 18.7 | 548.3 | 22.5 | 602.8 | 25.3 |
| | -5 | 275.9 | 11.3 | 335.3 | 13.8 | 391.2 | 16.3 | 468.0 | 19.9 | 548.3 | 23.9 | 571.2 | 25.5 |
| | 10 | 275.9 | 11.5 | 335.3 | 14.1 | 391.2 | 16.7 | 468.0 | 20.4 | 548.3 | 24.4 | 560.1 | 25.5 |
| | 15 | 275.9 | 11.8 | 335.3 | 14.5 | 391.2 | 17.1 | 468.0 | 20.8 | 540.5 | 24.6 | 547.7 | 25.5 |
| | 20 | 275.9 | 12.0 | 335.3 | 14.8 | 391.2 | 17.4 | 468.0 | 21.3 | 528.1 | 24.5 | 535.3 | 25.5 |
| | 25 | 275.9 | 12.3 | 335.3 | 15.1 | 391.2 | 17.8 | 468.0 | 21.7 | 515.1 | 24.5 | 522.3 | 25.4 |
| | 30 | 275.9 | 12.6 | 335.3 | 15.5 | 391.2 | 18.3 | 468.0 | 22.2 | 502.7 | 24.4 | 509.9 | 25.4 |
| | 35 | 275.9 | 12.9 | 335.3 | 15.8 | 391.2 | 18.7 | 468.0 | 22.8 | 490.9 | 24.4 | 498.1 | 25.4 |
| | 40 | 275.9 | 13.2 | 335.3 | 16.2 | 391.2 | 19.1 | 468.0 | 23.3 | 483.3 | 24.6 | 490.5 | 25.6 |
| | 45 | 275.9 | 13.5 | 335.3 | 16.6 | 391.2 | 19.6 | 468.0 | 23.9 | 480.2 | 25.1 | 487.4 | 26.1 |
| | 50 | 275.9 | 13.9 | 335.3 | 17.1 | 391.2 | 20.1 | 468.0 | 24.5 | 477.8 | 25.6 | 485.0 | 26.6 |
| | 55 | 275.9 | 14.2 | 335.3 | 17.5 | 391.2 | 20.7 | 468.0 | 25.2 | 476.0 | 26.2 | 483.2 | 27.2 |
| | 60 | 275.9 | 14.6 | 335.3 | 18.0 | 391.2 | 21.2 | 468.0 | 25.9 | 476.7 | 27.0 | 481.7 | 27.9 |
| | 65 | 275.9 | 15.0 | 335.3 | 18.5 | 391.2 | 21.8 | 468.0 | 26.6 | 471.2 | 27.4 | 480.2 | 28.6 |
| | 70 | 275.9 | 16.4 | 335.3 | 20.1 | 391.2 | 23.7 | 468.0 | 28.9 | 469.3 | 29.7 | 478.3 | 31.0 |
| | 75 | 275.9 | 18.0 | 335.3 | 22.1 | 391.2 | 26.1 | 459.1 | 31.2 | 466.3 | 32.4 | 475.3 | 33.8 |
| | 80 | 275.9 | 19.7 | 335.3 | 24.2 | 391.2 | 28.6 | 454.5 | 33.9 | 461.7 | 35.2 | 470.6 | 36.7 |
| | 85 | 275.9 | 21.6 | 335.3 | 26.6 | 391.2 | 31.4 | 447.5 | 36.6 | 454.7 | 38.0 | 463.4 | 39.7 |
| | 90 | 275.9 | 23.7 | 335.3 | 29.1 | 391.2 | 34.4 | 437.2 | 39.2 | 444.4 | 40.7 | 452.9 | 42.5 |
| | 95 | 275.9 | 25.9 | 335.3 | 31.8 | 391.2 | 37.6 | 398.9 | 39.0 | 406.1 | 40.6 | 413.3 | 42.3 |
| | 100 | 275.9 | 28.1 | 335.3 | 34.6 | 372.4 | 38.9 | 379.6 | 40.4 | 386.8 | 42.1 | 394.2 | 43.9 |
| 105 | 275.9 | 30.4 | 335.3 | 37.3 | 344.3 | 38.8 | 351.5 | 40.4 | 361.9 | 42.5 | 368.9 | 44.4 | |
| 110 | 275.9 | 32.5 | 301.2 | 35.9 | 308.4 | 37.2 | 320.3 | 39.4 | 329.8 | 41.4 | 336.1 | 43.2 | |
| 115 | 254.0 | 31.7 | 261.2 | 32.9 | 270.3 | 34.5 | 280.7 | 36.5 | 289.1 | 38.4 | 294.6 | 40.1 | |
| 118 | 224.6 | 28.8 | 234.5 | 30.4 | 242.7 | 31.8 | 252.0 | 33.7 | 259.5 | 35.5 | 264.5 | 37.0 | |
| 125 | 152.5 | 20.4 | 159.2 | 21.5 | 164.7 | 22.5 | 171.0 | 23.9 | 176.1 | 25.1 | 179.5 | 26.2 | |
| 120% | -10 | 254.7 | 9.6 | 309.5 | 11.8 | 361.1 | 14.0 | 432.0 | 17.0 | 506.1 | 20.4 | 577.1 | 23.8 |
| | -5 | 254.7 | 10.2 | 309.5 | 12.6 | 361.1 | 14.9 | 432.0 | 18.1 | 506.1 | 21.7 | 561.5 | 24.6 |
| | 10 | 254.7 | 10.5 | 309.5 | 12.9 | 361.1 | 15.2 | 432.0 | 18.5 | 506.1 | 22.2 | 550.5 | 24.7 |
| | 15 | 254.7 | 10.7 | 309.5 | 13.1 | 361.1 | 15.5 | 432.0 | 18.9 | 506.1 | 22.6 | 538.2 | 24.7 |
| | 20 | 254.7 | 10.9 | 309.5 | 13.4 | 361.1 | 15.8 | 432.0 | 19.3 | 506.1 | 23.1 | 525.9 | 24.6 |
| | 25 | 254.7 | 11.2 | 309.5 | 13.7 | 361.1 | 16.2 | 432.0 | 19.8 | 506.1 | 23.7 | 513.0 | 24.6 |
| | 30 | 254.7 | 11.4 | 309.5 | 14.1 | 361.1 | 16.6 | 432.0 | 20.2 | 493.5 | 23.6 | 500.7 | 24.5 |
| | 35 | 254.7 | 11.7 | 309.5 | 14.4 | 361.1 | 17.0 | 432.0 | 20.7 | 481.7 | 23.6 | 488.9 | 24.5 |
| | 40 | 254.7 | 12.0 | 309.5 | 14.7 | 361.1 | 17.4 | 432.0 | 21.2 | 474.1 | 23.8 | 481.3 | 24.7 |
| | 45 | 254.7 | 12.3 | 309.5 | 15.1 | 361.1 | 17.8 | 432.0 | 21.7 | 471.0 | 24.2 | 478.2 | 25.2 |
| | 50 | 254.7 | 12.6 | 309.5 | 15.5 | 361.1 | 18.3 | 432.0 | 22.3 | 468.7 | 24.7 | 475.9 | 25.7 |
| | 55 | 254.7 | 12.9 | 309.5 | 15.9 | 361.1 | 18.8 | 432.0 | 22.9 | 466.9 | 25.3 | 474.1 | 26.3 |
| | 60 | 254.7 | 13.3 | 309.5 | 16.3 | 361.1 | 19.3 | 432.0 | 23.5 | 467.2 | 26.0 | 472.7 | 26.9 |
| | 65 | 254.7 | 13.7 | 309.5 | 16.8 | 361.1 | 19.8 | 432.0 | 24.2 | 462.3 | 26.4 | 471.2 | 27.6 |
| | 70 | 254.7 | 14.9 | 309.5 | 18.3 | 361.1 | 21.6 | 432.0 | 26.3 | 460.4 | 28.7 | 469.2 | 29.9 |
| | 75 | 254.7 | 16.3 | 309.5 | 20.1 | 361.1 | 23.7 | 432.0 | 28.9 | 457.5 | 31.3 | 466.3 | 32.6 |
| | 80 | 254.7 | 17.9 | 309.5 | 22.0 | 361.1 | 26.0 | 432.0 | 31.7 | 453.0 | 34.0 | 461.7 | 35.5 |
| | 85 | 254.7 | 19.7 | 309.5 | 24.2 | 361.1 | 28.5 | 432.0 | 34.8 | 446.1 | 36.7 | 454.7 | 38.3 |
| | 90 | 254.7 | 21.5 | 309.5 | 26.5 | 361.1 | 31.3 | 432.0 | 38.1 | 436.0 | 39.3 | 444.3 | 41.0 |
| | 95 | 254.7 | 23.5 | 309.5 | 28.9 | 361.1 | 34.1 | 398.9 | 38.4 | 406.1 | 40.0 | 413.3 | 41.7 |
| | 100 | 254.7 | 25.6 | 309.5 | 31.4 | 361.1 | 37.1 | 379.6 | 39.7 | 386.8 | 41.4 | 394.2 | 43.2 |
| 105 | 254.7 | 27.6 | 309.5 | 33.9 | 344.3 | 38.2 | 351.5 | 39.7 | 361.9 | 41.8 | 368.9 | 43.7 | |
| 110 | 254.7 | 29.5 | 301.2 | 35.3 | 308.4 | 36.6 | 320.3 | 38.7 | 329.8 | 40.8 | 336.1 | 42.6 | |
| 115 | 254.7 | 31.3 | 261.2 | 32.4 | 270.3 | 34.0 | 280.7 | 35.9 | 289.1 | 37.8 | 294.6 | 39.5 | |
| 118 | 224.6 | 28.3 | 234.5 | 29.9 | 242.7 | 31.3 | 252.0 | 33.2 | 259.5 | 34.9 | 264.5 | 36.4 | |
| 125 | 152.5 | 20.1 | 159.2 | 21.2 | 164.7 | 22.2 | 171.0 | 23.5 | 176.1 | 24.7 | 179.5 | 25.8 | |

NOTE - Power Input = Compressor + Outdoor Fan Motor.
 MBH = 1000 BTUs per hour.

COOLING CAPACITY - THREE MODULE | VRB360L4

| Combination (%) | Outdoor Temperature °F (Dry Bulb) | Indoor Temperature - °F (Dry Bulb / Wet Bulb) | | | | | | | | | | | |
|-----------------|-----------------------------------|---|-------------|------------|-------------|------------|-------------|--------------|-------------|------------|-------------|------------|-------------|
| | | 67 / 57 | | 71 / 60 | | 75 / 63 | | 80 / 67 | | 85 / 71 | | 90 / 75 | |
| | | Total Cap. | Power Input | Total Cap. | Power Input | Total Cap. | Power Input | Total Cap. | Power Input | Total Cap. | Power Input | Total Cap. | Power Input |
| | | MBH | kW | MBH | kW | MBH | kW | MBH | kW | MBH | kW | MBH | kW |
| 110% | -10 | 233.5 | 8.7 | 283.7 | 10.7 | 331.0 | 12.6 | 396.0 | 15.4 | 464.0 | 18.4 | 529.0 | 21.5 |
| | -5 | 233.5 | 9.2 | 283.7 | 11.4 | 331.0 | 13.4 | 396.0 | 16.3 | 464.0 | 19.6 | 529.0 | 22.9 |
| | 10 | 233.5 | 9.4 | 283.7 | 11.6 | 331.0 | 13.7 | 396.0 | 16.7 | 464.0 | 20.0 | 529.0 | 23.4 |
| | 15 | 233.5 | 9.6 | 283.7 | 11.9 | 331.0 | 14.0 | 396.0 | 17.1 | 464.0 | 20.4 | 528.8 | 23.9 |
| | 20 | 233.5 | 9.9 | 283.7 | 12.1 | 331.0 | 14.3 | 396.0 | 17.4 | 464.0 | 20.9 | 516.5 | 23.8 |
| | 25 | 233.5 | 10.1 | 283.7 | 12.4 | 331.0 | 14.6 | 396.0 | 17.8 | 464.0 | 21.4 | 503.7 | 23.8 |
| | 30 | 233.5 | 10.3 | 283.7 | 12.7 | 331.0 | 15.0 | 396.0 | 18.3 | 464.0 | 21.9 | 491.5 | 23.7 |
| | 35 | 233.5 | 10.6 | 283.7 | 13.0 | 331.0 | 15.3 | 396.0 | 18.7 | 464.0 | 22.4 | 479.8 | 23.7 |
| | 40 | 233.5 | 10.8 | 283.7 | 13.3 | 331.0 | 15.7 | 396.0 | 19.1 | 464.0 | 22.9 | 472.0 | 23.9 |
| | 45 | 233.5 | 11.1 | 283.7 | 13.6 | 331.0 | 16.1 | 396.0 | 19.6 | 464.0 | 23.5 | 469.0 | 24.3 |
| | 50 | 233.5 | 11.4 | 283.7 | 14.0 | 331.0 | 16.5 | 396.0 | 20.1 | 464.0 | 24.1 | 466.7 | 24.9 |
| | 55 | 233.5 | 11.7 | 283.7 | 14.4 | 331.0 | 17.0 | 396.0 | 20.7 | 464.0 | 24.8 | 465.0 | 25.4 |
| | 60 | 233.5 | 12.0 | 283.7 | 14.8 | 331.0 | 17.4 | 396.0 | 21.2 | 457.7 | 25.1 | 463.6 | 26.0 |
| | 65 | 233.5 | 12.3 | 283.7 | 15.2 | 331.0 | 17.9 | 396.0 | 21.8 | 453.4 | 25.5 | 462.1 | 26.7 |
| | 70 | 233.5 | 13.4 | 283.7 | 16.5 | 331.0 | 19.5 | 396.0 | 23.7 | 451.6 | 27.7 | 460.2 | 28.9 |
| | 75 | 233.5 | 14.7 | 283.7 | 18.1 | 331.0 | 21.4 | 396.0 | 26.1 | 448.7 | 30.2 | 457.3 | 31.5 |
| | 80 | 233.5 | 16.2 | 283.7 | 19.9 | 331.0 | 23.5 | 396.0 | 28.6 | 444.3 | 32.8 | 452.8 | 34.3 |
| | 85 | 233.5 | 17.7 | 283.7 | 21.8 | 331.0 | 25.8 | 396.0 | 31.4 | 437.5 | 35.5 | 445.9 | 37.0 |
| | 90 | 233.5 | 19.4 | 283.7 | 23.9 | 331.0 | 28.2 | 396.0 | 34.4 | 427.6 | 38.0 | 435.8 | 39.6 |
| | 95 | 233.5 | 21.2 | 283.7 | 26.1 | 331.0 | 30.8 | 396.0 | 37.6 | 406.1 | 39.4 | 413.3 | 41.0 |
| 100 | 233.5 | 23.1 | 283.7 | 28.4 | 331.0 | 33.5 | 385.5 | 39.8 | 386.8 | 40.8 | 394.2 | 42.6 | |
| 105 | 233.5 | 24.9 | 283.7 | 30.6 | 331.0 | 36.2 | 351.5 | 39.1 | 361.9 | 41.2 | 368.9 | 43.0 | |
| 110 | 233.5 | 26.7 | 283.7 | 32.8 | 308.4 | 36.1 | 320.3 | 38.2 | 329.8 | 40.2 | 336.1 | 41.9 | |
| 115 | 233.5 | 28.2 | 261.2 | 31.9 | 270.3 | 33.4 | 280.7 | 35.4 | 289.1 | 37.3 | 294.6 | 38.9 | |
| 118 | 224.6 | 27.9 | 234.5 | 29.5 | 242.7 | 30.9 | 252.0 | 32.7 | 259.5 | 34.4 | 264.5 | 35.9 | |
| 125 | 152.5 | 19.8 | 159.2 | 20.9 | 164.7 | 21.9 | 171.0 | 23.1 | 176.1 | 24.3 | 179.5 | 25.4 | |
| 100% | -10 | 212.2 | 7.8 | 257.9 | 9.6 | 300.9 | 11.3 | 360.0 | 13.8 | 421.8 | 16.5 | 480.9 | 19.3 |
| | -5 | 212.2 | 8.3 | 257.9 | 10.2 | 300.9 | 12.0 | 360.0 | 14.6 | 421.8 | 17.5 | 480.9 | 20.5 |
| | 10 | 212.2 | 8.5 | 257.9 | 10.4 | 300.9 | 12.3 | 360.0 | 15.0 | 421.8 | 17.9 | 480.9 | 20.9 |
| | 15 | 212.2 | 8.6 | 257.9 | 10.6 | 300.9 | 12.5 | 360.0 | 15.3 | 421.8 | 18.3 | 480.9 | 21.4 |
| | 20 | 212.2 | 8.8 | 257.9 | 10.8 | 300.9 | 12.8 | 360.0 | 15.6 | 421.8 | 18.7 | 480.4 | 21.8 |
| | 25 | 212.2 | 9.0 | 257.9 | 11.1 | 300.9 | 13.1 | 360.0 | 16.0 | 421.8 | 19.1 | 475.4 | 22.1 |
| | 30 | 212.2 | 9.2 | 257.9 | 11.4 | 300.9 | 13.4 | 360.0 | 16.3 | 421.8 | 19.6 | 470.7 | 22.4 |
| | 35 | 212.2 | 9.5 | 257.9 | 11.6 | 300.9 | 13.7 | 360.0 | 16.7 | 421.8 | 20.0 | 466.4 | 22.7 |
| | 40 | 212.2 | 9.7 | 257.9 | 11.9 | 300.9 | 14.1 | 360.0 | 17.1 | 421.8 | 20.5 | 462.8 | 23.1 |
| | 45 | 212.2 | 9.9 | 257.9 | 12.2 | 300.9 | 14.4 | 360.0 | 17.6 | 421.8 | 21.1 | 459.8 | 23.5 |
| | 50 | 212.2 | 10.2 | 257.9 | 12.5 | 300.9 | 14.8 | 360.0 | 18.0 | 421.8 | 21.6 | 457.6 | 24.0 |
| | 55 | 212.2 | 10.5 | 257.9 | 12.9 | 300.9 | 15.2 | 360.0 | 18.5 | 421.8 | 22.2 | 455.9 | 24.5 |
| | 60 | 212.2 | 10.7 | 257.9 | 13.2 | 300.9 | 15.6 | 360.0 | 19.0 | 421.8 | 22.8 | 454.5 | 25.1 |
| | 65 | 212.2 | 11.0 | 257.9 | 13.6 | 300.9 | 16.0 | 360.0 | 19.5 | 421.8 | 23.4 | 453.1 | 25.8 |
| | 70 | 212.2 | 12.0 | 257.9 | 14.8 | 300.9 | 17.4 | 360.0 | 21.3 | 421.8 | 25.5 | 451.2 | 27.9 |
| | 75 | 212.2 | 13.2 | 257.9 | 16.2 | 300.9 | 19.1 | 360.0 | 23.3 | 421.8 | 27.9 | 448.4 | 30.4 |
| | 80 | 212.2 | 14.5 | 257.9 | 17.8 | 300.9 | 21.0 | 360.0 | 25.6 | 421.8 | 30.7 | 443.9 | 33.1 |
| | 85 | 212.2 | 15.9 | 257.9 | 19.5 | 300.9 | 23.1 | 360.0 | 28.1 | 421.8 | 33.7 | 437.2 | 35.7 |
| | 90 | 212.2 | 17.4 | 257.9 | 21.4 | 300.9 | 25.3 | 360.0 | 30.8 | 419.2 | 36.7 | 427.3 | 38.3 |
| | 95 | 212.2 | 19.0 | 257.9 | 23.4 | 300.9 | 27.6 | 360.0 | 33.6 | 405.5 | 38.7 | 413.3 | 40.4 |
| 100 | 212.2 | 20.7 | 257.9 | 25.4 | 300.9 | 30.0 | 360.0 | 36.6 | 386.8 | 40.2 | 394.2 | 41.9 | |
| 105 | 212.2 | 22.3 | 257.9 | 27.4 | 300.9 | 32.4 | 351.5 | 38.5 | 361.9 | 40.6 | 368.9 | 42.4 | |
| 110 | 212.2 | 23.9 | 257.9 | 29.4 | 300.9 | 34.7 | 320.3 | 37.6 | 329.8 | 39.6 | 336.1 | 41.3 | |
| 115 | 212.2 | 25.3 | 257.9 | 31.1 | 270.3 | 32.9 | 280.7 | 34.9 | 289.1 | 36.7 | 294.6 | 38.3 | |
| 118 | 212.2 | 26.0 | 234.5 | 29.0 | 242.7 | 30.4 | 252.0 | 32.2 | 259.5 | 33.9 | 264.5 | 35.4 | |
| 125 | 152.5 | 19.5 | 159.2 | 20.6 | 164.7 | 21.5 | 171.0 | 22.8 | 176.1 | 24.0 | 179.5 | 25.0 | |

NOTE - Power Input = Compressor + Outdoor Fan Motor.
 MBH = 1000 BTUs per hour.

COOLING CAPACITY - THREE MODULE | VRB360L4

| Combination (%) | Outdoor Temperature °F (Dry Bulb) | Indoor Temperature - °F (Dry Bulb / Wet Bulb) | | | | | | | | | | | |
|-----------------|-----------------------------------|---|-------------|------------|-------------|------------|-------------|------------|-------------|------------|-------------|------------|-------------|
| | | 67 / 57 | | 71 / 60 | | 75 / 63 | | 80 / 67 | | 85 / 71 | | 90 / 75 | |
| | | Total Cap. | Power Input | Total Cap. | Power Input | Total Cap. | Power Input | Total Cap. | Power Input | Total Cap. | Power Input | Total Cap. | Power Input |
| | | MBH | KW | MBH | KW | MBH | KW | MBH | KW | MBH | KW | MBH | KW |
| 90% | -10 | 191.0 | 6.9 | 232.1 | 8.5 | 270.8 | 10.0 | 324.0 | 12.2 | 379.6 | 14.6 | 432.8 | 17.1 |
| | -5 | 191.0 | 7.3 | 232.1 | 9.0 | 270.8 | 10.6 | 324.0 | 13.0 | 379.6 | 15.5 | 432.8 | 18.2 |
| | 10 | 191.0 | 7.5 | 232.1 | 9.2 | 270.8 | 10.9 | 324.0 | 13.3 | 379.6 | 15.9 | 432.8 | 18.5 |
| | 15 | 191.0 | 7.7 | 232.1 | 9.4 | 270.8 | 11.1 | 324.0 | 13.5 | 379.6 | 16.2 | 432.8 | 19.0 |
| | 20 | 191.0 | 7.8 | 232.1 | 9.6 | 270.8 | 11.4 | 324.0 | 13.8 | 379.6 | 16.6 | 432.8 | 19.4 |
| | 25 | 191.0 | 8.0 | 232.1 | 9.8 | 270.8 | 11.6 | 324.0 | 14.2 | 379.6 | 17.0 | 432.8 | 19.8 |
| | 30 | 191.0 | 8.2 | 232.1 | 10.1 | 270.8 | 11.9 | 324.0 | 14.5 | 379.6 | 17.4 | 432.8 | 20.3 |
| | 35 | 191.0 | 8.4 | 232.1 | 10.3 | 270.8 | 12.2 | 324.0 | 14.8 | 379.6 | 17.8 | 432.8 | 20.8 |
| | 40 | 191.0 | 8.6 | 232.1 | 10.6 | 270.8 | 12.5 | 324.0 | 15.2 | 379.6 | 18.2 | 432.8 | 21.3 |
| | 45 | 191.0 | 8.8 | 232.1 | 10.8 | 270.8 | 12.8 | 324.0 | 15.6 | 379.6 | 18.7 | 432.8 | 21.8 |
| | 50 | 191.0 | 9.0 | 232.1 | 11.1 | 270.8 | 13.1 | 324.0 | 16.0 | 379.6 | 19.2 | 432.8 | 22.4 |
| | 55 | 191.0 | 9.3 | 232.1 | 11.4 | 270.8 | 13.5 | 324.0 | 16.4 | 379.6 | 19.7 | 432.8 | 23.0 |
| | 60 | 191.0 | 9.5 | 232.1 | 11.7 | 270.8 | 13.8 | 324.0 | 16.9 | 379.6 | 20.2 | 432.8 | 23.6 |
| | 65 | 191.0 | 9.8 | 232.1 | 12.0 | 270.8 | 14.2 | 324.0 | 17.3 | 379.6 | 20.8 | 432.8 | 24.2 |
| | 70 | 191.0 | 10.7 | 232.1 | 13.1 | 270.8 | 15.5 | 324.0 | 18.8 | 379.6 | 22.6 | 432.8 | 26.4 |
| | 75 | 191.0 | 11.7 | 232.1 | 14.4 | 270.8 | 17.0 | 324.0 | 20.7 | 379.6 | 24.8 | 432.8 | 28.9 |
| | 80 | 191.0 | 12.8 | 232.1 | 15.8 | 270.8 | 18.6 | 324.0 | 22.7 | 379.6 | 27.2 | 432.8 | 31.8 |
| | 85 | 191.0 | 14.1 | 232.1 | 17.3 | 270.8 | 20.5 | 324.0 | 24.9 | 379.6 | 29.9 | 428.4 | 34.5 |
| | 90 | 191.0 | 15.4 | 232.1 | 19.0 | 270.8 | 22.4 | 324.0 | 27.3 | 379.6 | 32.7 | 418.7 | 37.0 |
| | 95 | 191.0 | 16.9 | 232.1 | 20.7 | 270.8 | 24.5 | 324.0 | 29.8 | 379.6 | 35.7 | 413.3 | 39.8 |
| 100 | 191.0 | 18.3 | 232.1 | 22.5 | 270.8 | 26.6 | 324.0 | 32.4 | 379.0 | 38.8 | 394.2 | 41.3 | |
| 105 | 191.0 | 19.8 | 232.1 | 24.3 | 270.8 | 28.7 | 324.0 | 35.0 | 361.9 | 40.0 | 368.9 | 41.7 | |
| 110 | 191.0 | 21.2 | 232.1 | 26.0 | 270.8 | 30.7 | 320.3 | 37.0 | 329.8 | 39.0 | 336.1 | 40.7 | |
| 115 | 191.0 | 22.4 | 232.1 | 27.5 | 270.3 | 32.5 | 280.7 | 34.3 | 289.1 | 36.2 | 294.6 | 37.7 | |
| 118 | 191.0 | 23.0 | 232.1 | 28.3 | 242.7 | 30.0 | 252.0 | 31.7 | 259.5 | 33.4 | 264.5 | 34.8 | |
| 125 | 152.5 | 19.2 | 159.2 | 20.3 | 164.7 | 21.2 | 171.0 | 22.4 | 176.1 | 23.6 | 179.5 | 24.7 | |
| 80% | -10 | 169.8 | 6.0 | 206.3 | 7.4 | 240.7 | 8.8 | 288.0 | 10.7 | 337.4 | 12.8 | 384.7 | 15.0 |
| | -5 | 169.8 | 6.4 | 206.3 | 7.9 | 240.7 | 9.3 | 288.0 | 11.4 | 337.4 | 13.6 | 384.7 | 15.9 |
| | 10 | 169.8 | 6.6 | 206.3 | 8.1 | 240.7 | 9.5 | 288.0 | 11.6 | 337.4 | 13.9 | 384.7 | 16.2 |
| | 15 | 169.8 | 6.7 | 206.3 | 8.2 | 240.7 | 9.7 | 288.0 | 11.9 | 337.4 | 14.2 | 384.7 | 16.6 |
| | 20 | 169.8 | 6.9 | 206.3 | 8.4 | 240.7 | 9.9 | 288.0 | 12.1 | 337.4 | 14.5 | 384.7 | 17.0 |
| | 25 | 169.8 | 7.0 | 206.3 | 8.6 | 240.7 | 10.2 | 288.0 | 12.4 | 337.4 | 14.9 | 384.7 | 17.4 |
| | 30 | 169.8 | 7.2 | 206.3 | 8.8 | 240.7 | 10.4 | 288.0 | 12.7 | 337.4 | 15.2 | 384.7 | 17.8 |
| | 35 | 169.8 | 7.3 | 206.3 | 9.0 | 240.7 | 10.7 | 288.0 | 13.0 | 337.4 | 15.6 | 384.7 | 18.2 |
| | 40 | 169.8 | 7.5 | 206.3 | 9.3 | 240.7 | 10.9 | 288.0 | 13.3 | 337.4 | 16.0 | 384.7 | 18.6 |
| | 45 | 169.8 | 7.7 | 206.3 | 9.5 | 240.7 | 11.2 | 288.0 | 13.7 | 337.4 | 16.4 | 384.7 | 19.1 |
| | 50 | 169.8 | 7.9 | 206.3 | 9.7 | 240.7 | 11.5 | 288.0 | 14.0 | 337.4 | 16.8 | 384.7 | 19.6 |
| | 55 | 169.8 | 8.1 | 206.3 | 10.0 | 240.7 | 11.8 | 288.0 | 14.4 | 337.4 | 17.2 | 384.7 | 20.1 |
| | 60 | 169.8 | 8.3 | 206.3 | 10.3 | 240.7 | 12.1 | 288.0 | 14.8 | 337.4 | 17.7 | 384.7 | 20.7 |
| | 65 | 169.8 | 8.6 | 206.3 | 10.5 | 240.7 | 12.5 | 288.0 | 15.2 | 337.4 | 18.2 | 384.7 | 21.2 |
| | 70 | 169.8 | 9.3 | 206.3 | 11.5 | 240.7 | 13.5 | 288.0 | 16.5 | 337.4 | 19.8 | 384.7 | 23.1 |
| | 75 | 169.8 | 10.2 | 206.3 | 12.6 | 240.7 | 14.9 | 288.0 | 18.1 | 337.4 | 21.7 | 384.7 | 25.3 |
| | 80 | 169.8 | 11.2 | 206.3 | 13.8 | 240.7 | 16.3 | 288.0 | 19.9 | 337.4 | 23.8 | 384.7 | 27.8 |
| | 85 | 169.8 | 12.3 | 206.3 | 15.2 | 240.7 | 17.9 | 288.0 | 21.8 | 337.4 | 26.2 | 384.7 | 30.5 |
| | 90 | 169.8 | 13.5 | 206.3 | 16.6 | 240.7 | 19.6 | 288.0 | 23.9 | 337.4 | 28.7 | 384.7 | 33.5 |
| | 95 | 169.8 | 14.8 | 206.3 | 18.2 | 240.7 | 21.4 | 288.0 | 26.1 | 337.4 | 31.3 | 384.7 | 36.5 |
| 100 | 169.8 | 16.1 | 206.3 | 19.7 | 240.7 | 23.3 | 288.0 | 28.4 | 337.4 | 34.0 | 384.7 | 39.7 | |
| 105 | 169.8 | 17.3 | 206.3 | 21.3 | 240.7 | 25.2 | 288.0 | 30.7 | 337.4 | 36.7 | 368.9 | 41.1 | |
| 110 | 169.8 | 18.5 | 206.3 | 22.8 | 240.7 | 26.9 | 288.0 | 32.8 | 329.8 | 38.4 | 336.1 | 40.1 | |
| 115 | 169.8 | 19.6 | 206.3 | 24.1 | 240.7 | 28.5 | 280.7 | 33.8 | 289.1 | 35.6 | 294.6 | 37.2 | |
| 118 | 169.8 | 20.2 | 206.3 | 24.8 | 240.7 | 29.3 | 252.0 | 31.2 | 259.5 | 32.9 | 264.5 | 34.3 | |
| 125 | 152.5 | 18.9 | 159.2 | 20.0 | 164.7 | 20.9 | 171.0 | 22.1 | 176.1 | 23.3 | 179.5 | 24.3 | |

NOTE - Power Input = Compressor + Outdoor Fan Motor.
 MBH = 1000 BTUs per hour.

COOLING CAPACITY - THREE MODULE | VRB360L4

| Combination (%) | Outdoor Temperature °F (Dry Bulb) | Indoor Temperature - °F (Dry Bulb / Wet Bulb) | | | | | | | | | | | |
|-----------------|-----------------------------------|---|-------------|------------|-------------|------------|-------------|------------|-------------|------------|-------------|------------|-------------|
| | | 67 / 57 | | 71 / 60 | | 75 / 63 | | 80 / 67 | | 85 / 71 | | 90 / 75 | |
| | | Total Cap. | Power Input | Total Cap. | Power Input | Total Cap. | Power Input | Total Cap. | Power Input | Total Cap. | Power Input | Total Cap. | Power Input |
| | | MBH | kW | MBH | kW | MBH | kW | MBH | kW | MBH | kW | MBH | kW |
| 70% | -10 | 148.6 | 5.2 | 180.5 | 6.4 | 210.6 | 7.6 | 252.0 | 9.2 | 295.3 | 11.0 | 336.6 | 12.9 |
| | -5 | 148.6 | 5.5 | 180.5 | 6.8 | 210.6 | 8.0 | 252.0 | 9.8 | 295.3 | 11.7 | 336.6 | 13.7 |
| | 10 | 148.6 | 5.7 | 180.5 | 7.0 | 210.6 | 8.2 | 252.0 | 10.0 | 295.3 | 12.0 | 336.6 | 14.0 |
| | 15 | 148.6 | 5.8 | 180.5 | 7.1 | 210.6 | 8.4 | 252.0 | 10.2 | 295.3 | 12.3 | 336.6 | 14.3 |
| | 20 | 148.6 | 5.9 | 180.5 | 7.3 | 210.6 | 8.6 | 252.0 | 10.5 | 295.3 | 12.5 | 336.6 | 14.6 |
| | 25 | 148.6 | 6.0 | 180.5 | 7.4 | 210.6 | 8.8 | 252.0 | 10.7 | 295.3 | 12.8 | 336.6 | 15.0 |
| | 30 | 148.6 | 6.2 | 180.5 | 7.6 | 210.6 | 9.0 | 252.0 | 10.9 | 295.3 | 13.1 | 336.6 | 15.3 |
| | 35 | 148.6 | 6.3 | 180.5 | 7.8 | 210.6 | 9.2 | 252.0 | 11.2 | 295.3 | 13.4 | 336.6 | 15.7 |
| | 40 | 148.6 | 6.5 | 180.5 | 8.0 | 210.6 | 9.4 | 252.0 | 11.5 | 295.3 | 13.8 | 336.6 | 16.1 |
| | 45 | 148.6 | 6.7 | 180.5 | 8.2 | 210.6 | 9.7 | 252.0 | 11.8 | 295.3 | 14.1 | 336.6 | 16.5 |
| | 50 | 148.6 | 6.8 | 180.5 | 8.4 | 210.6 | 9.9 | 252.0 | 12.1 | 295.3 | 14.5 | 336.6 | 16.9 |
| | 55 | 148.6 | 7.0 | 180.5 | 8.6 | 210.6 | 10.2 | 252.0 | 12.4 | 295.3 | 14.8 | 336.6 | 17.3 |
| | 60 | 148.6 | 7.2 | 180.5 | 8.8 | 210.6 | 10.4 | 252.0 | 12.7 | 295.3 | 15.3 | 336.6 | 17.8 |
| | 65 | 148.6 | 7.4 | 180.5 | 9.1 | 210.6 | 10.7 | 252.0 | 13.1 | 295.3 | 15.7 | 336.6 | 18.3 |
| | 70 | 148.6 | 8.0 | 180.5 | 9.9 | 210.6 | 11.7 | 252.0 | 14.2 | 295.3 | 17.1 | 336.6 | 19.9 |
| | 75 | 148.6 | 8.8 | 180.5 | 10.9 | 210.6 | 12.8 | 252.0 | 15.6 | 295.3 | 18.7 | 336.6 | 21.9 |
| | 80 | 148.6 | 9.7 | 180.5 | 11.9 | 210.6 | 14.1 | 252.0 | 17.2 | 295.3 | 20.6 | 336.6 | 24.0 |
| | 85 | 148.6 | 10.6 | 180.5 | 13.1 | 210.6 | 15.4 | 252.0 | 18.8 | 295.3 | 22.6 | 336.6 | 26.3 |
| | 90 | 148.6 | 11.7 | 180.5 | 14.3 | 210.6 | 16.9 | 252.0 | 20.6 | 295.3 | 24.7 | 336.6 | 28.9 |
| | 95 | 148.6 | 12.7 | 180.5 | 15.7 | 210.6 | 18.5 | 252.0 | 22.5 | 295.3 | 27.0 | 336.6 | 31.5 |
| 100 | 148.6 | 13.8 | 180.5 | 17.0 | 210.6 | 20.1 | 252.0 | 24.5 | 295.3 | 29.3 | 336.6 | 34.3 | |
| 105 | 148.6 | 15.0 | 180.5 | 18.4 | 210.6 | 21.7 | 252.0 | 26.4 | 295.3 | 31.7 | 336.6 | 37.0 | |
| 110 | 148.6 | 16.0 | 180.5 | 19.7 | 210.6 | 23.2 | 252.0 | 28.3 | 295.3 | 33.9 | 336.1 | 39.5 | |
| 115 | 148.6 | 16.9 | 180.5 | 20.8 | 210.6 | 24.6 | 252.0 | 29.9 | 289.1 | 35.1 | 294.6 | 36.7 | |
| 118 | 148.6 | 17.4 | 180.5 | 21.4 | 210.6 | 25.3 | 252.0 | 30.8 | 259.5 | 32.4 | 264.5 | 33.8 | |
| 125 | 143.3 | 17.5 | 159.2 | 19.7 | 164.7 | 20.6 | 171.0 | 21.8 | 176.1 | 22.9 | 179.5 | 24.0 | |
| 60% | -10 | 127.3 | 4.4 | 154.7 | 5.4 | 180.5 | 6.4 | 216.0 | 7.8 | 253.1 | 9.3 | 288.5 | 10.9 |
| | -5 | 127.3 | 4.7 | 154.7 | 5.8 | 180.5 | 6.8 | 216.0 | 8.3 | 253.1 | 9.9 | 288.5 | 11.6 |
| | 10 | 127.3 | 4.8 | 154.7 | 5.9 | 180.5 | 6.9 | 216.0 | 8.5 | 253.1 | 10.1 | 288.5 | 11.8 |
| | 15 | 127.3 | 4.9 | 154.7 | 6.0 | 180.5 | 7.1 | 216.0 | 8.6 | 253.1 | 10.4 | 288.5 | 12.1 |
| | 20 | 127.3 | 5.0 | 154.7 | 6.1 | 180.5 | 7.2 | 216.0 | 8.8 | 253.1 | 10.6 | 288.5 | 12.4 |
| | 25 | 127.3 | 5.1 | 154.7 | 6.3 | 180.5 | 7.4 | 216.0 | 9.0 | 253.1 | 10.8 | 288.5 | 12.6 |
| | 30 | 127.3 | 5.2 | 154.7 | 6.4 | 180.5 | 7.6 | 216.0 | 9.3 | 253.1 | 11.1 | 288.5 | 12.9 |
| | 35 | 127.3 | 5.4 | 154.7 | 6.6 | 180.5 | 7.8 | 216.0 | 9.5 | 253.1 | 11.3 | 288.5 | 13.3 |
| | 40 | 127.3 | 5.5 | 154.7 | 6.7 | 180.5 | 8.0 | 216.0 | 9.7 | 253.1 | 11.6 | 288.5 | 13.6 |
| | 45 | 127.3 | 5.6 | 154.7 | 6.9 | 180.5 | 8.2 | 216.0 | 9.9 | 253.1 | 11.9 | 288.5 | 13.9 |
| | 50 | 127.3 | 5.8 | 154.7 | 7.1 | 180.5 | 8.4 | 216.0 | 10.2 | 253.1 | 12.2 | 288.5 | 14.3 |
| | 55 | 127.3 | 5.9 | 154.7 | 7.3 | 180.5 | 8.6 | 216.0 | 10.5 | 253.1 | 12.5 | 288.5 | 14.7 |
| | 60 | 127.3 | 6.1 | 154.7 | 7.5 | 180.5 | 8.8 | 216.0 | 10.8 | 253.1 | 12.9 | 288.5 | 15.1 |
| | 65 | 127.3 | 6.3 | 154.7 | 7.7 | 180.5 | 9.1 | 216.0 | 11.1 | 253.1 | 13.2 | 288.5 | 15.5 |
| | 70 | 127.3 | 6.8 | 154.7 | 8.4 | 180.5 | 9.9 | 216.0 | 12.0 | 253.1 | 14.4 | 288.5 | 16.8 |
| | 75 | 127.3 | 7.5 | 154.7 | 9.2 | 180.5 | 10.8 | 216.0 | 13.2 | 253.1 | 15.8 | 288.5 | 18.5 |
| | 80 | 127.3 | 8.2 | 154.7 | 10.1 | 180.5 | 11.9 | 216.0 | 14.5 | 253.1 | 17.4 | 288.5 | 20.3 |
| | 85 | 127.3 | 9.0 | 154.7 | 11.1 | 180.5 | 13.1 | 216.0 | 15.9 | 253.1 | 19.1 | 288.5 | 22.3 |
| | 90 | 127.3 | 9.9 | 154.7 | 12.1 | 180.5 | 14.3 | 216.0 | 17.4 | 253.1 | 20.9 | 288.5 | 24.4 |
| | 95 | 127.3 | 10.8 | 154.7 | 13.2 | 180.5 | 15.6 | 216.0 | 19.0 | 253.1 | 22.8 | 288.5 | 26.6 |
| 100 | 127.3 | 11.7 | 154.7 | 14.4 | 180.5 | 17.0 | 216.0 | 20.7 | 253.1 | 24.8 | 288.5 | 28.9 | |
| 105 | 127.3 | 12.6 | 154.7 | 15.5 | 180.5 | 18.3 | 216.0 | 22.3 | 253.1 | 26.8 | 288.5 | 31.3 | |
| 110 | 127.3 | 13.5 | 154.7 | 16.6 | 180.5 | 19.6 | 216.0 | 23.9 | 253.1 | 28.6 | 288.5 | 33.4 | |
| 115 | 127.3 | 14.3 | 154.7 | 17.6 | 180.5 | 20.8 | 216.0 | 25.3 | 253.1 | 30.3 | 288.5 | 35.4 | |
| 118 | 127.3 | 14.7 | 154.7 | 18.1 | 180.5 | 21.3 | 216.0 | 26.0 | 253.1 | 31.2 | 264.5 | 33.4 | |
| 125 | 127.3 | 15.3 | 154.7 | 18.9 | 164.7 | 20.3 | 171.0 | 21.5 | 176.1 | 22.6 | 179.5 | 23.6 | |

NOTE - Power Input = Compressor + Outdoor Fan Motor.
 MBH = 1000 BTUs per hour.

COOLING CAPACITY - THREE MODULE | VRB360L4

| Combination (%) | Outdoor Temperature °F (Dry Bulb) | Indoor Temperature - °F (Dry Bulb / Wet Bulb) | | | | | | | | | | | |
|-----------------|-----------------------------------|---|-------------|------------|-------------|------------|-------------|------------|-------------|------------|-------------|------------|-------------|
| | | 67 / 57 | | 71 / 60 | | 75 / 63 | | 80 / 67 | | 85 / 71 | | 90 / 75 | |
| | | Total Cap. | Power Input | Total Cap. | Power Input | Total Cap. | Power Input | Total Cap. | Power Input | Total Cap. | Power Input | Total Cap. | Power Input |
| | | MBH | kW | MBH | kW | MBH | kW | MBH | kW | MBH | kW | MBH | kW |
| 50% | -10 | 97.9 | 3.3 | 129.0 | 4.5 | 150.4 | 5.3 | 180.0 | 6.4 | 210.9 | 7.7 | 240.4 | 9.0 |
| | -5 | 106.1 | 3.8 | 129.0 | 4.7 | 150.4 | 5.6 | 180.0 | 6.8 | 210.9 | 8.2 | 240.4 | 9.5 |
| | 10 | 106.1 | 3.9 | 129.0 | 4.8 | 150.4 | 5.7 | 180.0 | 7.0 | 210.9 | 8.3 | 240.4 | 9.7 |
| | 15 | 106.1 | 4.0 | 129.0 | 4.9 | 150.4 | 5.8 | 180.0 | 7.1 | 210.9 | 8.5 | 240.4 | 9.9 |
| | 20 | 106.1 | 4.1 | 129.0 | 5.0 | 150.4 | 6.0 | 180.0 | 7.3 | 210.9 | 8.7 | 240.4 | 10.2 |
| | 25 | 106.1 | 4.2 | 129.0 | 5.2 | 150.4 | 6.1 | 180.0 | 7.4 | 210.9 | 8.9 | 240.4 | 10.4 |
| | 30 | 106.1 | 4.3 | 129.0 | 5.3 | 150.4 | 6.2 | 180.0 | 7.6 | 210.9 | 9.1 | 240.4 | 10.6 |
| | 35 | 106.1 | 4.4 | 129.0 | 5.4 | 150.4 | 6.4 | 180.0 | 7.8 | 210.9 | 9.3 | 240.4 | 10.9 |
| | 40 | 106.1 | 4.5 | 129.0 | 5.5 | 150.4 | 6.5 | 180.0 | 8.0 | 210.9 | 9.6 | 240.4 | 11.2 |
| | 45 | 106.1 | 4.6 | 129.0 | 5.7 | 150.4 | 6.7 | 180.0 | 8.2 | 210.9 | 9.8 | 240.4 | 11.4 |
| | 50 | 106.1 | 4.7 | 129.0 | 5.8 | 150.4 | 6.9 | 180.0 | 8.4 | 210.9 | 10.0 | 240.4 | 11.7 |
| | 55 | 106.1 | 4.9 | 129.0 | 6.0 | 150.4 | 7.1 | 180.0 | 8.6 | 210.9 | 10.3 | 240.4 | 12.0 |
| | 60 | 106.1 | 5.0 | 129.0 | 6.1 | 150.4 | 7.3 | 180.0 | 8.8 | 210.9 | 10.6 | 240.4 | 12.4 |
| | 65 | 106.1 | 5.1 | 129.0 | 6.3 | 150.4 | 7.5 | 180.0 | 9.1 | 210.9 | 10.9 | 240.4 | 12.7 |
| | 70 | 106.1 | 5.6 | 129.0 | 6.9 | 150.4 | 8.1 | 180.0 | 9.9 | 210.9 | 11.8 | 240.4 | 13.8 |
| | 75 | 106.1 | 6.1 | 129.0 | 7.5 | 150.4 | 8.9 | 180.0 | 10.9 | 210.9 | 13.0 | 240.4 | 15.2 |
| | 80 | 106.1 | 6.7 | 129.0 | 8.3 | 150.4 | 9.8 | 180.0 | 11.9 | 210.9 | 14.3 | 240.4 | 16.7 |
| | 85 | 106.1 | 7.4 | 129.0 | 9.1 | 150.4 | 10.7 | 180.0 | 13.1 | 210.9 | 15.7 | 240.4 | 18.3 |
| | 90 | 106.1 | 8.1 | 129.0 | 10.0 | 150.4 | 11.8 | 180.0 | 14.3 | 210.9 | 17.2 | 240.4 | 20.0 |
| | 95 | 106.1 | 8.8 | 129.0 | 10.9 | 150.4 | 12.8 | 180.0 | 15.6 | 210.9 | 18.7 | 240.4 | 21.9 |
| 100 | 106.1 | 9.6 | 129.0 | 11.8 | 150.4 | 14.0 | 180.0 | 17.0 | 210.9 | 20.4 | 240.4 | 23.8 | |
| 105 | 106.1 | 10.4 | 129.0 | 12.8 | 150.4 | 15.1 | 180.0 | 18.4 | 210.9 | 22.0 | 240.4 | 25.7 | |
| 110 | 106.1 | 11.1 | 129.0 | 13.7 | 150.4 | 16.1 | 180.0 | 19.6 | 210.9 | 23.5 | 240.4 | 27.5 | |
| 115 | 106.1 | 11.8 | 129.0 | 14.4 | 150.4 | 17.1 | 180.0 | 20.8 | 210.9 | 24.9 | 240.4 | 29.1 | |
| 118 | 106.1 | 12.1 | 129.0 | 14.9 | 150.4 | 17.5 | 180.0 | 21.4 | 210.9 | 25.6 | 240.4 | 29.9 | |
| 125 | 106.1 | 12.6 | 129.0 | 15.5 | 150.4 | 18.3 | 171.0 | 21.2 | 176.1 | 22.3 | 179.5 | 23.3 | |

NOTE - Power Input = Compressor + Outdoor Fan Motor.
 MBH = 1000 BTUs per hour.

HEATING CAPACITY - THREE MODULE | VRB360L4

| Combination (%) | Outdoor Temperature (°F) | | Indoor Temperature - °F Dry Bulb | | | | | | | | | | | |
|-----------------|--------------------------|----------|----------------------------------|----------------|----------------|----------------|----------------|----------------|----------------|----------------|----------------|----------------|----------------|----------------|
| | | | 61 | | 64 | | 67 | | 70 | | 73 | | 75 | |
| | Dry Bulb | Wet Bulb | Total Cap. MBH | Power Input kW | Total Cap. MBH | Power Input kW | Total Cap. MBH | Power Input kW | Total Cap. MBH | Power Input kW | Total Cap. MBH | Power Input kW | Total Cap. MBH | Power Input kW |
| 130% | -22 | -23 | 263.9 | 44.5 | 258.6 | 45.7 | 253.9 | 47.0 | 249.4 | 48.4 | 245.2 | 49.8 | 242.7 | 50.8 |
| | -17 | -18 | 315.2 | 48.9 | 309.6 | 50.2 | 304.8 | 51.4 | 300.1 | 52.8 | 295.8 | 54.3 | 293.3 | 55.3 |
| | -13 | -14 | 353.4 | 53.0 | 352.2 | 54.7 | 351.2 | 56.3 | 350.2 | 58.1 | 349.3 | 59.9 | 348.7 | 61.1 |
| | -8 | -9 | 375.7 | 54.9 | 376.1 | 56.7 | 376.5 | 58.5 | 376.8 | 60.4 | 377.0 | 62.4 | 377.2 | 63.7 |
| | -3 | -4 | 392.3 | 56.1 | 392.7 | 57.9 | 393.1 | 59.7 | 393.3 | 61.7 | 393.5 | 63.7 | 393.6 | 65.0 |
| | 2 | 1 | 410.1 | 56.8 | 410.2 | 58.7 | 410.1 | 60.5 | 410.0 | 62.4 | 409.7 | 64.4 | 409.6 | 65.7 |
| | 7 | 6 | 428.3 | 57.1 | 427.7 | 58.9 | 427.1 | 60.6 | 426.4 | 62.5 | 425.6 | 64.5 | 425.1 | 65.8 |
| | 12 | 10 | 444.8 | 57.4 | 443.8 | 59.2 | 442.8 | 61.0 | 441.6 | 62.8 | 440.5 | 64.8 | 439.7 | 66.1 |
| | 17 | 15 | 468.2 | 58.2 | 466.7 | 59.9 | 465.2 | 61.6 | 463.5 | 63.5 | 461.8 | 65.4 | 460.7 | 66.7 |
| | 22 | 20 | 493.1 | 59.1 | 491.0 | 60.8 | 489.0 | 62.5 | 486.9 | 64.4 | 493.2 | 67.3 | 471.7 | 63.2 |
| | 27 | 24 | 515.7 | 60.0 | 513.2 | 61.7 | 510.9 | 63.4 | 508.3 | 65.3 | 493.2 | 62.5 | 471.7 | 58.4 |
| | 32 | 29 | 543.8 | 61.2 | 540.8 | 63.0 | 538.1 | 64.7 | 526.5 | 62.7 | 493.2 | 56.6 | 471.7 | 52.7 |
| | 37 | 34 | 574.4 | 62.7 | 571.0 | 64.5 | 559.8 | 62.4 | 526.5 | 56.4 | 493.2 | 50.6 | 471.7 | 47.8 |
| | 42 | 38 | 599.4 | 64.1 | 591.1 | 62.8 | 559.8 | 57.2 | 526.5 | 51.4 | 493.2 | 47.1 | 471.7 | 44.5 |
| | 47 | 43 | 624.4 | 61.8 | 591.1 | 56.1 | 559.8 | 50.8 | 526.5 | 46.8 | 493.2 | 42.9 | 471.7 | 40.5 |
| | 52 | 47 | 624.4 | 56.5 | 591.1 | 51.0 | 559.8 | 47.2 | 526.5 | 43.5 | 493.2 | 39.9 | 471.7 | 37.6 |
| | 57 | 52 | 624.4 | 50.1 | 591.1 | 46.4 | 559.8 | 43.0 | 526.5 | 39.6 | 493.2 | 36.3 | 471.7 | 34.2 |
| | 62 | 56 | 624.4 | 46.6 | 591.1 | 43.2 | 559.8 | 40.0 | 526.5 | 36.7 | 493.2 | 33.6 | 471.7 | 31.7 |
| | 67 | 61 | 624.4 | 42.5 | 591.1 | 39.2 | 559.8 | 36.3 | 526.5 | 33.2 | 493.2 | 30.6 | 471.7 | 29.0 |
| | 72 | 66 | 624.4 | 38.5 | 591.1 | 35.5 | 559.8 | 32.7 | 526.5 | 30.2 | 493.2 | 27.9 | 471.7 | 26.4 |
| 75 | 69 | 624.4 | 36.3 | 591.1 | 33.3 | 559.8 | 30.8 | 526.5 | 28.5 | 493.2 | 26.3 | 471.7 | 25.0 | |
| 80 | 74 | 624.4 | 32.6 | 591.1 | 30.2 | 559.8 | 28.1 | 526.5 | 26.0 | 493.2 | 24.0 | 471.7 | 22.8 | |
| 120% | -22 | -23 | 260.6 | 45.1 | 255.5 | 46.4 | 251.0 | 47.6 | 246.7 | 49.0 | 242.7 | 50.5 | 240.3 | 51.5 |
| | -17 | -18 | 310.6 | 49.6 | 305.4 | 50.9 | 300.8 | 52.2 | 296.4 | 53.6 | 292.3 | 55.1 | 289.9 | 56.0 |
| | -13 | -14 | 351.2 | 54.0 | 350.1 | 55.7 | 349.1 | 57.4 | 348.1 | 59.2 | 347.3 | 61.0 | 346.8 | 62.3 |
| | -8 | -9 | 374.5 | 56.1 | 374.9 | 58.0 | 375.2 | 59.8 | 375.5 | 61.7 | 375.7 | 63.8 | 375.8 | 65.1 |
| | -3 | -4 | 391.1 | 57.3 | 391.5 | 59.2 | 391.8 | 61.1 | 392.0 | 63.1 | 392.1 | 65.1 | 392.2 | 66.5 |
| | 2 | 1 | 408.7 | 58.1 | 408.7 | 60.0 | 408.5 | 61.8 | 408.3 | 63.8 | 408.1 | 65.9 | 407.1 | 67.0 |
| | 7 | 6 | 426.4 | 58.4 | 425.8 | 60.3 | 425.1 | 62.0 | 424.4 | 64.0 | 423.6 | 66.0 | 421.8 | 67.0 |
| | 12 | 10 | 442.5 | 58.8 | 441.5 | 60.6 | 440.4 | 62.4 | 439.3 | 64.3 | 438.1 | 66.3 | 435.4 | 66.2 |
| | 17 | 15 | 465.5 | 59.6 | 463.9 | 61.4 | 462.3 | 63.1 | 460.7 | 65.1 | 455.3 | 64.9 | 435.4 | 61.1 |
| | 22 | 20 | 489.8 | 60.6 | 487.7 | 62.4 | 485.7 | 64.1 | 486.0 | 65.4 | 455.3 | 59.6 | 435.4 | 55.9 |
| | 27 | 24 | 512.0 | 61.5 | 509.5 | 63.3 | 516.7 | 66.2 | 486.0 | 60.5 | 455.3 | 54.9 | 435.4 | 51.3 |
| | 32 | 29 | 539.5 | 62.9 | 545.6 | 65.5 | 516.7 | 60.3 | 486.0 | 54.7 | 455.3 | 49.6 | 435.4 | 47.0 |
| | 37 | 34 | 576.3 | 64.5 | 545.6 | 59.1 | 516.7 | 54.0 | 486.0 | 49.1 | 455.3 | 45.3 | 435.4 | 42.8 |
| | 42 | 38 | 576.3 | 59.3 | 545.6 | 54.1 | 516.7 | 49.4 | 486.0 | 45.7 | 455.3 | 42.0 | 435.4 | 39.8 |
| | 47 | 43 | 576.3 | 52.8 | 545.6 | 48.4 | 516.7 | 45.0 | 486.0 | 41.6 | 455.3 | 38.3 | 435.4 | 36.2 |
| | 52 | 47 | 576.3 | 48.4 | 545.6 | 45.0 | 516.7 | 41.9 | 486.0 | 38.7 | 455.3 | 35.5 | 435.4 | 33.6 |
| | 57 | 52 | 576.3 | 44.2 | 545.6 | 40.9 | 516.7 | 38.1 | 486.0 | 35.1 | 455.3 | 32.3 | 435.4 | 30.7 |
| | 62 | 56 | 576.3 | 40.9 | 545.6 | 38.0 | 516.7 | 35.3 | 486.0 | 32.5 | 455.3 | 30.1 | 435.4 | 28.6 |
| | 67 | 61 | 576.3 | 37.2 | 545.6 | 34.4 | 516.7 | 31.9 | 486.0 | 29.6 | 455.3 | 27.5 | 435.4 | 26.1 |
| | 72 | 66 | 576.3 | 33.6 | 545.6 | 31.0 | 516.7 | 29.0 | 486.0 | 27.0 | 455.3 | 25.0 | 435.4 | 23.8 |
| 75 | 69 | 576.3 | 31.4 | 545.6 | 29.3 | 516.7 | 27.4 | 486.0 | 25.5 | 455.3 | 23.6 | 435.4 | 22.5 | |
| 80 | 74 | 576.3 | 28.6 | 545.6 | 26.7 | 516.7 | 25.0 | 486.0 | 23.3 | 455.3 | 21.6 | 435.4 | 20.6 | |

NOTE - Power Input = Compressor + Outdoor Fan Motor.
 MBH = 1000 BTUs per hour.

HEATING CAPACITY - THREE MODULE | VRB360L4

| Combination (%) | Outdoor Temperature (°F) | | Indoor Temperature - °F Dry Bulb | | | | | | | | | | | |
|-----------------|--------------------------|----------|----------------------------------|----------------|----------------|----------------|----------------|----------------|----------------|----------------|----------------|----------------|----------------|----------------|
| | | | 61 | | 64 | | 67 | | 70 | | 73 | | 75 | |
| | Dry Bulb | Wet Bulb | Total Cap. MBH | Power Input kW | Total Cap. MBH | Power Input kW | Total Cap. MBH | Power Input kW | Total Cap. MBH | Power Input kW | Total Cap. MBH | Power Input kW | Total Cap. MBH | Power Input kW |
| 110% | -22 | -23 | 256.7 | 45.7 | 251.9 | 47.1 | 247.8 | 48.4 | 243.8 | 49.8 | 240.1 | 51.3 | 237.9 | 52.3 |
| | -17 | -18 | 305.9 | 50.4 | 301.0 | 51.7 | 296.7 | 53.0 | 292.5 | 54.5 | 288.7 | 56.0 | 286.4 | 57.0 |
| | -13 | -14 | 349.0 | 55.3 | 348.0 | 57.0 | 347.1 | 58.7 | 346.2 | 60.5 | 345.4 | 62.4 | 344.9 | 63.7 |
| | -8 | -9 | 373.5 | 57.5 | 373.8 | 59.4 | 374.1 | 61.3 | 374.3 | 63.3 | 374.5 | 65.4 | 374.6 | 66.8 |
| | -3 | -4 | 390.1 | 58.9 | 390.4 | 60.8 | 390.6 | 62.7 | 390.7 | 64.7 | 390.8 | 66.8 | 385.9 | 67.0 |
| | 2 | 1 | 407.3 | 59.7 | 407.2 | 61.7 | 407.0 | 63.5 | 406.8 | 65.6 | 404.1 | 67.0 | 399.1 | 66.5 |
| | 7 | 6 | 424.5 | 60.0 | 423.8 | 61.9 | 423.1 | 63.7 | 422.3 | 65.7 | 417.3 | 65.8 | 399.1 | 62.5 |
| | 12 | 10 | 440.2 | 60.5 | 439.1 | 62.3 | 438.0 | 64.2 | 445.5 | 67.4 | 417.3 | 62.2 | 399.1 | 58.9 |
| | 17 | 15 | 462.6 | 61.3 | 461.0 | 63.2 | 459.4 | 65.0 | 445.5 | 62.4 | 417.3 | 57.2 | 399.1 | 53.8 |
| | 22 | 20 | 486.3 | 62.4 | 484.2 | 64.2 | 473.7 | 62.3 | 445.5 | 57.1 | 417.3 | 52.0 | 399.1 | 49.2 |
| | 27 | 24 | 508.0 | 63.4 | 500.2 | 62.3 | 473.7 | 57.6 | 445.5 | 52.5 | 417.3 | 48.2 | 399.1 | 45.7 |
| | 32 | 29 | 528.3 | 61.5 | 500.2 | 56.5 | 473.7 | 51.8 | 445.5 | 47.7 | 417.3 | 44.1 | 399.1 | 41.9 |
| | 37 | 34 | 528.3 | 55.2 | 500.2 | 50.4 | 473.7 | 46.9 | 445.5 | 43.5 | 417.3 | 40.2 | 399.1 | 38.1 |
| | 42 | 38 | 528.3 | 50.3 | 500.2 | 46.7 | 473.7 | 43.6 | 445.5 | 40.4 | 417.3 | 37.3 | 399.1 | 35.3 |
| | 47 | 43 | 528.3 | 45.6 | 500.2 | 42.5 | 473.7 | 39.7 | 445.5 | 36.8 | 417.3 | 33.9 | 399.1 | 32.2 |
| | 52 | 47 | 528.3 | 42.4 | 500.2 | 39.5 | 473.7 | 36.8 | 445.5 | 34.1 | 417.3 | 31.5 | 399.1 | 30.1 |
| | 57 | 52 | 528.3 | 38.5 | 500.2 | 35.8 | 473.7 | 33.4 | 445.5 | 31.0 | 417.3 | 28.9 | 399.1 | 27.6 |
| | 62 | 56 | 528.3 | 35.7 | 500.2 | 33.2 | 473.7 | 31.0 | 445.5 | 28.9 | 417.3 | 26.9 | 399.1 | 25.7 |
| | 67 | 61 | 528.3 | 32.2 | 500.2 | 30.1 | 473.7 | 28.2 | 445.5 | 26.3 | 417.3 | 24.5 | 399.1 | 23.4 |
| | 72 | 66 | 528.3 | 29.2 | 500.2 | 27.3 | 473.7 | 25.7 | 445.5 | 24.0 | 417.3 | 22.3 | 399.1 | 21.3 |
| 75 | 69 | 528.3 | 27.5 | 500.2 | 25.8 | 473.7 | 24.2 | 445.5 | 22.6 | 417.3 | 21.1 | 399.1 | 20.1 | |
| 80 | 74 | 528.3 | 25.0 | 500.2 | 23.5 | 473.7 | 22.1 | 445.5 | 20.7 | 417.3 | 19.4 | 399.1 | 18.5 | |
| 100% | -22 | -23 | 252.4 | 46.6 | 248.0 | 47.9 | 244.1 | 49.2 | 240.3 | 50.7 | 236.9 | 52.2 | 234.9 | 53.2 |
| | -17 | -18 | 301.0 | 51.4 | 296.4 | 52.7 | 292.4 | 54.1 | 288.5 | 55.5 | 285.0 | 57.1 | 282.9 | 58.1 |
| | -13 | -14 | 346.9 | 56.7 | 345.9 | 58.5 | 345.0 | 60.2 | 344.2 | 62.1 | 343.5 | 64.1 | 343.1 | 65.4 |
| | -8 | -9 | 372.6 | 59.3 | 372.8 | 61.3 | 373.0 | 63.2 | 373.2 | 65.2 | 379.4 | 68.4 | 362.8 | 65.7 |
| | -3 | -4 | 389.2 | 60.8 | 389.4 | 62.7 | 389.5 | 64.7 | 389.6 | 66.8 | 379.4 | 65.7 | 362.8 | 62.9 |
| | 2 | 1 | 406.0 | 61.7 | 405.8 | 63.7 | 405.5 | 65.6 | 405.0 | 66.8 | 379.4 | 62.3 | 362.8 | 59.4 |
| | 7 | 6 | 422.5 | 62.0 | 421.8 | 64.0 | 421.1 | 65.9 | 405.0 | 62.8 | 379.4 | 58.2 | 362.8 | 55.2 |
| | 12 | 10 | 437.8 | 62.5 | 436.6 | 64.5 | 430.6 | 63.9 | 405.0 | 59.3 | 379.4 | 54.6 | 362.8 | 51.6 |
| | 17 | 15 | 459.5 | 63.5 | 454.7 | 63.2 | 430.6 | 58.9 | 405.0 | 54.2 | 379.4 | 49.9 | 362.8 | 47.6 |
| | 22 | 20 | 480.3 | 62.6 | 454.7 | 58.0 | 430.6 | 53.6 | 405.0 | 49.4 | 379.4 | 45.9 | 362.8 | 43.7 |
| | 27 | 24 | 480.3 | 57.8 | 454.7 | 53.3 | 430.6 | 49.3 | 405.0 | 45.9 | 379.4 | 42.6 | 362.8 | 40.5 |
| | 32 | 29 | 480.3 | 52.1 | 454.7 | 48.1 | 430.6 | 45.1 | 405.0 | 42.0 | 379.4 | 38.9 | 362.8 | 36.9 |
| | 37 | 34 | 480.3 | 46.9 | 454.7 | 43.9 | 430.6 | 41.1 | 405.0 | 38.2 | 379.4 | 35.4 | 362.8 | 33.6 |
| | 42 | 38 | 480.3 | 43.5 | 454.7 | 40.7 | 430.6 | 38.1 | 405.0 | 35.4 | 379.4 | 32.8 | 362.8 | 31.4 |
| | 47 | 43 | 480.3 | 39.6 | 454.7 | 37.0 | 430.6 | 34.6 | 405.0 | 32.2 | 379.4 | 30.1 | 362.8 | 28.8 |
| | 52 | 47 | 480.3 | 36.7 | 454.7 | 34.3 | 430.6 | 32.1 | 405.0 | 30.1 | 379.4 | 28.2 | 362.8 | 26.9 |
| | 57 | 52 | 480.3 | 33.3 | 454.7 | 31.1 | 430.6 | 29.3 | 405.0 | 27.5 | 379.4 | 25.7 | 362.8 | 24.6 |
| | 62 | 56 | 480.3 | 30.8 | 454.7 | 29.0 | 430.6 | 27.3 | 405.0 | 25.6 | 379.4 | 23.9 | 362.8 | 22.9 |
| | 67 | 61 | 480.3 | 28.0 | 454.7 | 26.4 | 430.6 | 24.9 | 405.0 | 23.3 | 379.4 | 21.7 | 362.8 | 20.8 |
| | 72 | 66 | 480.3 | 25.5 | 454.7 | 24.0 | 430.6 | 22.6 | 405.0 | 21.2 | 379.4 | 19.8 | 362.8 | 19.0 |
| 75 | 69 | 480.3 | 24.0 | 454.7 | 22.6 | 430.6 | 21.3 | 405.0 | 20.0 | 379.4 | 18.8 | 362.8 | 18.0 | |
| 80 | 74 | 480.3 | 21.9 | 454.7 | 20.7 | 430.6 | 19.5 | 405.0 | 18.4 | 379.4 | 17.3 | 362.8 | 16.6 | |

NOTE - Power Input = Compressor + Outdoor Fan Motor.
 MBH = 1000 BTUs per hour.

HEATING CAPACITY - THREE MODULE | VRB360L4

| Combination (%) | Outdoor Temperature (°F) | | Indoor Temperature - °F Dry Bulb | | | | | | | | | | | |
|-----------------|--------------------------|----------|----------------------------------|----------------|----------------|----------------|----------------|----------------|----------------|----------------|----------------|----------------|----------------|----------------|
| | | | 61 | | 64 | | 67 | | 70 | | 73 | | 75 | |
| | Dry Bulb | Wet Bulb | Total Cap. MBH | Power Input kW | Total Cap. MBH | Power Input kW | Total Cap. MBH | Power Input kW | Total Cap. MBH | Power Input kW | Total Cap. MBH | Power Input kW | Total Cap. MBH | Power Input kW |
| 90% | -22 | -23 | 247.9 | 47.6 | 243.8 | 48.9 | 240.2 | 50.3 | 236.7 | 51.7 | 233.6 | 53.3 | 231.7 | 54.3 |
| | -17 | -18 | 295.7 | 52.6 | 291.5 | 54.0 | 287.9 | 55.3 | 284.3 | 56.9 | 281.1 | 58.4 | 279.2 | 59.5 |
| | -13 | -14 | 344.7 | 58.6 | 343.8 | 60.5 | 343.1 | 62.2 | 342.3 | 64.2 | 341.5 | 65.8 | 326.6 | 63.5 |
| | -8 | -9 | 371.7 | 61.5 | 372.0 | 63.5 | 372.1 | 65.5 | 364.5 | 65.2 | 341.5 | 61.5 | 326.6 | 59.1 |
| | -3 | -4 | 388.3 | 63.1 | 388.4 | 65.2 | 387.5 | 66.3 | 364.5 | 62.4 | 341.5 | 58.5 | 326.6 | 56.0 |
| | 2 | 1 | 404.6 | 64.1 | 409.2 | 66.6 | 387.5 | 62.9 | 364.5 | 58.9 | 341.5 | 54.9 | 326.6 | 52.3 |
| | 7 | 6 | 420.5 | 64.5 | 409.2 | 62.7 | 387.5 | 58.8 | 364.5 | 54.8 | 341.5 | 50.9 | 326.6 | 48.8 |
| | 12 | 10 | 432.3 | 63.2 | 409.2 | 59.1 | 387.5 | 55.2 | 364.5 | 51.1 | 341.5 | 47.9 | 326.6 | 45.9 |
| | 17 | 15 | 432.3 | 58.1 | 409.2 | 54.1 | 387.5 | 50.3 | 364.5 | 47.1 | 341.5 | 44.0 | 326.6 | 42.0 |
| | 22 | 20 | 432.3 | 53.0 | 409.2 | 49.0 | 387.5 | 46.2 | 364.5 | 43.2 | 341.5 | 40.3 | 326.6 | 38.4 |
| | 27 | 24 | 432.3 | 48.5 | 409.2 | 45.6 | 387.5 | 42.9 | 364.5 | 40.0 | 341.5 | 37.2 | 326.6 | 35.4 |
| | 32 | 29 | 432.3 | 44.4 | 409.2 | 41.7 | 387.5 | 39.1 | 364.5 | 36.5 | 341.5 | 33.9 | 326.6 | 32.4 |
| | 37 | 34 | 432.3 | 40.4 | 409.2 | 37.9 | 387.5 | 35.6 | 364.5 | 33.1 | 341.5 | 31.1 | 326.6 | 29.8 |
| | 42 | 38 | 432.3 | 37.5 | 409.2 | 35.1 | 387.5 | 32.9 | 364.5 | 30.9 | 341.5 | 29.1 | 326.6 | 28.0 |
| | 47 | 43 | 432.3 | 34.0 | 409.2 | 31.8 | 387.5 | 30.2 | 364.5 | 28.4 | 341.5 | 26.7 | 326.6 | 25.6 |
| | 52 | 47 | 432.3 | 31.5 | 409.2 | 29.7 | 387.5 | 28.2 | 364.5 | 26.5 | 341.5 | 24.9 | 326.6 | 23.9 |
| | 57 | 52 | 432.3 | 28.7 | 409.2 | 27.2 | 387.5 | 25.7 | 364.5 | 24.2 | 341.5 | 22.7 | 326.6 | 21.8 |
| | 62 | 56 | 432.3 | 26.7 | 409.2 | 25.3 | 387.5 | 23.9 | 364.5 | 22.5 | 341.5 | 21.1 | 326.6 | 20.2 |
| | 67 | 61 | 432.3 | 24.3 | 409.2 | 23.0 | 387.5 | 21.7 | 364.5 | 20.4 | 341.5 | 19.2 | 326.6 | 18.4 |
| | 72 | 66 | 432.3 | 22.1 | 409.2 | 20.9 | 387.5 | 19.7 | 364.5 | 18.6 | 341.5 | 17.5 | 326.6 | 16.8 |
| 75 | 69 | 432.3 | 20.8 | 409.2 | 19.7 | 387.5 | 18.7 | 364.5 | 17.6 | 341.5 | 16.6 | 326.6 | 16.0 | |
| 80 | 74 | 432.3 | 19.0 | 409.2 | 18.1 | 387.5 | 17.2 | 364.5 | 16.3 | 341.5 | 15.3 | 326.6 | 14.8 | |
| 80% | -22 | -23 | 243.1 | 48.8 | 239.3 | 50.2 | 236.1 | 51.6 | 232.9 | 53.1 | 230.0 | 54.7 | 228.4 | 55.7 |
| | -17 | -18 | 290.1 | 54.1 | 286.3 | 55.6 | 283.1 | 57.0 | 279.9 | 58.6 | 277.0 | 60.2 | 275.3 | 61.3 |
| | -13 | -14 | 342.6 | 61.0 | 341.8 | 62.9 | 344.5 | 65.2 | 324.0 | 62.1 | 303.5 | 58.9 | 290.3 | 56.9 |
| | -8 | -9 | 371.0 | 64.4 | 363.7 | 64.0 | 344.5 | 61.0 | 324.0 | 57.7 | 303.5 | 54.5 | 290.3 | 52.8 |
| | -3 | -4 | 384.2 | 64.6 | 363.7 | 61.2 | 344.5 | 58.0 | 324.0 | 54.7 | 303.5 | 51.6 | 290.3 | 50.0 |
| | 2 | 1 | 384.2 | 61.2 | 363.7 | 57.7 | 344.5 | 54.4 | 324.0 | 51.1 | 303.5 | 48.5 | 290.3 | 46.8 |
| | 7 | 6 | 384.2 | 57.1 | 363.7 | 53.5 | 344.5 | 50.3 | 324.0 | 47.6 | 303.5 | 44.9 | 290.3 | 43.2 |
| | 12 | 10 | 384.2 | 53.5 | 363.7 | 50.0 | 344.5 | 47.4 | 324.0 | 44.7 | 303.5 | 42.0 | 290.3 | 40.3 |
| | 17 | 15 | 384.2 | 48.7 | 363.7 | 46.0 | 344.5 | 43.5 | 324.0 | 40.9 | 303.5 | 38.3 | 290.3 | 36.6 |
| | 22 | 20 | 384.2 | 44.8 | 363.7 | 42.2 | 344.5 | 39.8 | 324.0 | 37.3 | 303.5 | 34.9 | 290.3 | 33.2 |
| | 27 | 24 | 384.2 | 41.5 | 363.7 | 39.1 | 344.5 | 36.8 | 324.0 | 34.5 | 303.5 | 32.3 | 290.3 | 31.1 |
| | 32 | 29 | 384.2 | 37.8 | 363.7 | 35.6 | 344.5 | 33.5 | 324.0 | 31.5 | 303.5 | 29.8 | 290.3 | 28.7 |
| | 37 | 34 | 384.2 | 34.3 | 363.7 | 32.3 | 344.5 | 30.6 | 324.0 | 29.0 | 303.5 | 27.4 | 290.3 | 26.4 |
| | 42 | 38 | 384.2 | 31.8 | 363.7 | 30.1 | 344.5 | 28.7 | 324.0 | 27.2 | 303.5 | 25.7 | 290.3 | 24.7 |
| | 47 | 43 | 384.2 | 29.1 | 363.7 | 27.7 | 344.5 | 26.3 | 324.0 | 24.9 | 303.5 | 23.5 | 290.3 | 22.5 |
| | 52 | 47 | 384.2 | 27.2 | 363.7 | 25.8 | 344.5 | 24.5 | 324.0 | 23.1 | 303.5 | 21.8 | 290.3 | 20.9 |
| | 57 | 52 | 384.2 | 24.8 | 363.7 | 23.5 | 344.5 | 22.3 | 324.0 | 21.1 | 303.5 | 19.8 | 290.3 | 19.1 |
| | 62 | 56 | 384.2 | 23.0 | 363.7 | 21.8 | 344.5 | 20.7 | 324.0 | 19.5 | 303.5 | 18.4 | 290.3 | 17.7 |
| | 67 | 61 | 384.2 | 20.9 | 363.7 | 19.8 | 344.5 | 18.8 | 324.0 | 17.8 | 303.5 | 16.8 | 290.3 | 16.1 |
| | 72 | 66 | 384.2 | 18.9 | 363.7 | 18.0 | 344.5 | 17.1 | 324.0 | 16.2 | 303.5 | 15.4 | 290.3 | 15.2 |
| 75 | 69 | 384.2 | 17.9 | 363.7 | 17.0 | 344.5 | 16.2 | 324.0 | 15.4 | 303.5 | 15.0 | 290.3 | 14.5 | |
| 80 | 74 | 384.2 | 16.4 | 363.7 | 15.7 | 344.5 | 15.0 | 324.0 | 14.5 | 303.5 | 13.7 | 290.3 | 13.2 | |

NOTE - Power Input = Compressor + Outdoor Fan Motor.
 MBH = 1000 BTUs per hour.

HEATING CAPACITY - THREE MODULE | VRB360L4

| Combination (%) | Outdoor Temperature (°F) | | Indoor Temperature - °F Dry Bulb | | | | | | | | | | | |
|-----------------|--------------------------|----------|----------------------------------|----------------|----------------|----------------|----------------|----------------|----------------|----------------|----------------|----------------|----------------|----------------|
| | | | 61 | | 64 | | 67 | | 70 | | 73 | | 75 | |
| | Dry Bulb | Wet Bulb | Total Cap. MBH | Power Input kW | Total Cap. MBH | Power Input kW | Total Cap. MBH | Power Input kW | Total Cap. MBH | Power Input kW | Total Cap. MBH | Power Input kW | Total Cap. MBH | Power Input kW |
| 70% | -22 | -23 | 237.8 | 50.5 | 234.5 | 51.9 | 231.6 | 53.3 | 228.8 | 54.9 | 226.3 | 56.5 | 224.8 | 57.6 |
| | -17 | -18 | 284.0 | 56.2 | 280.8 | 57.7 | 277.9 | 59.1 | 275.2 | 60.8 | 265.6 | 60.8 | 254.0 | 59.6 |
| | -13 | -14 | 336.2 | 62.6 | 318.3 | 59.9 | 301.4 | 57.4 | 283.5 | 55.0 | 265.6 | 53.2 | 254.0 | 52.0 |
| | -8 | -9 | 336.2 | 58.4 | 318.3 | 55.6 | 301.4 | 53.0 | 283.5 | 51.0 | 265.6 | 49.0 | 254.0 | 47.7 |
| | -3 | -4 | 336.2 | 55.4 | 318.3 | 52.5 | 301.4 | 50.3 | 283.5 | 48.2 | 265.6 | 46.0 | 254.0 | 44.6 |
| | 2 | 1 | 336.2 | 51.7 | 318.3 | 49.2 | 301.4 | 47.1 | 283.5 | 44.9 | 265.6 | 42.7 | 254.0 | 41.2 |
| | 7 | 6 | 336.2 | 48.0 | 318.3 | 45.8 | 301.4 | 43.7 | 283.5 | 41.4 | 265.6 | 39.1 | 254.0 | 37.6 |
| | 12 | 10 | 336.2 | 45.1 | 318.3 | 42.9 | 301.4 | 40.8 | 283.5 | 38.5 | 265.6 | 36.3 | 254.0 | 34.8 |
| | 17 | 15 | 336.2 | 41.4 | 318.3 | 39.2 | 301.4 | 37.1 | 283.5 | 35.0 | 265.6 | 32.8 | 254.0 | 31.6 |
| | 22 | 20 | 336.2 | 37.8 | 318.3 | 35.7 | 301.4 | 33.7 | 283.5 | 31.9 | 265.6 | 30.2 | 254.0 | 29.2 |
| | 27 | 24 | 336.2 | 34.9 | 318.3 | 32.9 | 301.4 | 31.3 | 283.5 | 29.7 | 265.6 | 28.2 | 254.0 | 27.3 |
| | 32 | 29 | 336.2 | 31.7 | 318.3 | 30.2 | 301.4 | 28.9 | 283.5 | 27.5 | 265.6 | 26.1 | 254.0 | 25.2 |
| | 37 | 34 | 336.2 | 29.1 | 318.3 | 27.8 | 301.4 | 26.6 | 283.5 | 25.2 | 265.6 | 23.9 | 254.0 | 23.1 |
| | 42 | 38 | 336.2 | 27.2 | 318.3 | 26.0 | 301.4 | 24.8 | 283.5 | 23.6 | 265.6 | 22.3 | 254.0 | 21.5 |
| | 47 | 43 | 336.2 | 24.9 | 318.3 | 23.8 | 301.4 | 22.7 | 283.5 | 21.5 | 265.6 | 20.3 | 254.0 | 19.6 |
| | 52 | 47 | 336.2 | 23.2 | 318.3 | 22.1 | 301.4 | 21.1 | 283.5 | 20.0 | 265.6 | 18.9 | 254.0 | 18.2 |
| | 57 | 52 | 336.2 | 21.1 | 318.3 | 20.1 | 301.4 | 19.1 | 283.5 | 18.1 | 265.6 | 17.1 | 254.0 | 16.5 |
| | 62 | 56 | 336.2 | 19.5 | 318.3 | 18.6 | 301.4 | 17.7 | 283.5 | 16.8 | 265.6 | 15.9 | 254.0 | 15.6 |
| | 67 | 61 | 336.2 | 17.7 | 318.3 | 16.9 | 301.4 | 16.1 | 283.5 | 15.3 | 265.6 | 14.9 | 254.0 | 14.3 |
| | 72 | 66 | 336.2 | 16.1 | 318.3 | 15.4 | 301.4 | 14.9 | 283.5 | 14.5 | 265.6 | 13.7 | 254.0 | 13.2 |
| 75 | 69 | 336.2 | 15.3 | 318.3 | 14.6 | 301.4 | 14.5 | 283.5 | 13.8 | 265.6 | 13.1 | 254.0 | 12.7 | |
| 80 | 74 | 336.2 | 14.1 | 318.3 | 13.9 | 301.4 | 13.2 | 283.5 | 12.5 | 265.6 | 11.9 | 254.0 | 11.4 | |
| 60% | -22 | -23 | 232.1 | 52.7 | 229.2 | 54.2 | 226.8 | 55.6 | 224.5 | 57.3 | 222.4 | 59.0 | 217.7 | 59.4 |
| | -17 | -18 | 277.5 | 59.0 | 272.8 | 60.0 | 258.4 | 58.6 | 243.0 | 57.1 | 227.6 | 55.5 | 217.7 | 54.5 |
| | -13 | -14 | 288.2 | 54.0 | 272.8 | 52.5 | 258.4 | 51.2 | 243.0 | 49.7 | 227.6 | 48.1 | 217.7 | 47.1 |
| | -8 | -9 | 288.2 | 50.0 | 272.8 | 48.5 | 258.4 | 47.0 | 243.0 | 45.4 | 227.6 | 43.7 | 217.7 | 42.6 |
| | -3 | -4 | 288.2 | 47.3 | 272.8 | 45.6 | 258.4 | 44.0 | 243.0 | 42.2 | 227.6 | 40.4 | 217.7 | 39.2 |
| | 2 | 1 | 288.2 | 44.2 | 272.8 | 42.4 | 258.4 | 40.7 | 243.0 | 38.8 | 227.6 | 36.9 | 217.7 | 35.7 |
| | 7 | 6 | 288.2 | 40.7 | 272.8 | 38.9 | 258.4 | 37.1 | 243.0 | 35.3 | 227.6 | 33.3 | 217.7 | 32.1 |
| | 12 | 10 | 288.2 | 37.9 | 272.8 | 36.1 | 258.4 | 34.3 | 243.0 | 32.5 | 227.6 | 30.8 | 217.7 | 29.8 |
| | 17 | 15 | 288.2 | 34.4 | 272.8 | 32.6 | 258.4 | 31.2 | 243.0 | 29.7 | 227.6 | 28.3 | 217.7 | 27.3 |
| | 22 | 20 | 288.2 | 31.2 | 272.8 | 29.9 | 258.4 | 28.7 | 243.0 | 27.4 | 227.6 | 26.1 | 217.7 | 25.3 |
| | 27 | 24 | 288.2 | 29.1 | 272.8 | 27.9 | 258.4 | 26.8 | 243.0 | 25.6 | 227.6 | 24.4 | 217.7 | 23.6 |
| | 32 | 29 | 288.2 | 26.9 | 272.8 | 25.8 | 258.4 | 24.7 | 243.0 | 23.6 | 227.6 | 22.5 | 217.7 | 21.8 |
| | 37 | 34 | 288.2 | 24.7 | 272.8 | 23.6 | 258.4 | 22.7 | 243.0 | 21.6 | 227.6 | 20.6 | 217.7 | 19.9 |
| | 42 | 38 | 288.2 | 23.0 | 272.8 | 22.0 | 258.4 | 21.1 | 243.0 | 20.1 | 227.6 | 19.1 | 217.7 | 18.5 |
| | 47 | 43 | 288.2 | 21.0 | 272.8 | 20.1 | 258.4 | 19.2 | 243.0 | 18.3 | 227.6 | 17.4 | 217.7 | 16.8 |
| | 52 | 47 | 288.2 | 19.5 | 272.8 | 18.6 | 258.4 | 17.8 | 243.0 | 16.9 | 227.6 | 16.1 | 217.7 | 15.8 |
| | 57 | 52 | 288.2 | 17.6 | 272.8 | 16.9 | 258.4 | 16.1 | 243.0 | 15.5 | 227.6 | 14.9 | 217.7 | 14.4 |
| | 62 | 56 | 288.2 | 16.3 | 272.8 | 15.6 | 258.4 | 15.2 | 243.0 | 14.6 | 227.6 | 13.9 | 217.7 | 13.4 |
| | 67 | 61 | 288.2 | 14.8 | 272.8 | 14.7 | 258.4 | 14.0 | 243.0 | 13.4 | 227.6 | 12.7 | 217.7 | 12.3 |
| | 72 | 66 | 288.2 | 14.1 | 272.8 | 13.5 | 258.4 | 12.9 | 243.0 | 12.3 | 227.6 | 11.8 | 217.7 | 11.4 |
| 75 | 69 | 288.2 | 13.4 | 272.8 | 12.8 | 258.4 | 12.4 | 243.0 | 11.8 | 227.6 | 11.3 | 217.7 | 11.0 | |
| 80 | 74 | 288.2 | 12.2 | 272.8 | 11.7 | 258.4 | 11.2 | 243.0 | 10.6 | 227.6 | 10.0 | 217.7 | 9.7 | |

NOTE - Power Input = Compressor + Outdoor Fan Motor.
 MBH = 1000 BTUs per hour.

HEATING CAPACITY - THREE MODULE | VRB360L4

| Combination (%) | Outdoor Temperature (°F) | | Indoor Temperature - °F Dry Bulb | | | | | | | | | | | |
|-----------------|--------------------------|----------|----------------------------------|----------------|----------------|----------------|----------------|----------------|----------------|----------------|----------------|----------------|----------------|----------------|
| | | | 61 | | 64 | | 67 | | 70 | | 73 | | 75 | |
| | Dry Bulb | Wet Bulb | Total Cap. MBH | Power Input kW | Total Cap. MBH | Power Input kW | Total Cap. MBH | Power Input kW | Total Cap. MBH | Power Input kW | Total Cap. MBH | Power Input kW | Total Cap. MBH | Power Input kW |
| 50% | -22 | -23 | 225.8 | 55.9 | 227.3 | 58.5 | 215.3 | 57.4 | 202.5 | 56.3 | 189.7 | 55.2 | 181.4 | 54.4 |
| | -17 | -18 | 240.1 | 54.9 | 227.3 | 53.8 | 215.3 | 52.6 | 202.5 | 51.4 | 189.7 | 50.1 | 181.4 | 49.3 |
| | -13 | -14 | 240.1 | 47.7 | 227.3 | 46.6 | 215.3 | 45.4 | 202.5 | 44.2 | 189.7 | 42.9 | 181.4 | 42.0 |
| | -8 | -9 | 240.1 | 43.5 | 227.3 | 42.3 | 215.3 | 41.0 | 202.5 | 39.7 | 189.7 | 38.3 | 181.4 | 37.4 |
| | -3 | -4 | 240.1 | 40.4 | 227.3 | 39.1 | 215.3 | 37.7 | 202.5 | 36.3 | 189.7 | 34.8 | 181.4 | 33.6 |
| | 2 | 1 | 240.1 | 37.1 | 227.3 | 35.6 | 215.3 | 34.2 | 202.5 | 32.6 | 189.7 | 30.8 | 181.4 | 29.6 |
| | 7 | 6 | 240.1 | 33.6 | 227.3 | 32.1 | 215.3 | 30.7 | 202.5 | 29.3 | 189.7 | 27.8 | 181.4 | 26.9 |
| | 12 | 10 | 240.1 | 31.0 | 227.3 | 29.7 | 215.3 | 28.5 | 202.5 | 27.2 | 189.7 | 26.0 | 181.4 | 25.2 |
| | 17 | 15 | 240.1 | 28.3 | 227.3 | 27.2 | 215.3 | 26.2 | 202.5 | 25.1 | 189.7 | 24.0 | 181.4 | 23.3 |
| | 22 | 20 | 240.1 | 26.1 | 227.3 | 25.1 | 215.3 | 24.2 | 202.5 | 23.2 | 189.7 | 22.2 | 181.4 | 21.6 |
| | 27 | 24 | 240.1 | 24.3 | 227.3 | 23.4 | 215.3 | 22.6 | 202.5 | 21.7 | 189.7 | 20.7 | 181.4 | 20.1 |
| | 32 | 29 | 240.1 | 22.4 | 227.3 | 21.6 | 215.3 | 20.8 | 202.5 | 19.9 | 189.7 | 19.1 | 181.4 | 18.5 |
| | 37 | 34 | 240.1 | 20.5 | 227.3 | 19.7 | 215.3 | 19.0 | 202.5 | 18.2 | 189.7 | 17.4 | 181.4 | 16.9 |
| | 42 | 38 | 240.1 | 19.1 | 227.3 | 18.3 | 215.3 | 17.6 | 202.5 | 16.9 | 189.7 | 16.2 | 181.4 | 15.9 |
| | 47 | 43 | 240.1 | 17.3 | 227.3 | 16.6 | 215.3 | 16.0 | 202.5 | 15.6 | 189.7 | 14.9 | 181.4 | 14.4 |
| | 52 | 47 | 240.1 | 16.0 | 227.3 | 15.4 | 215.3 | 15.1 | 202.5 | 14.4 | 189.7 | 13.7 | 181.4 | 13.3 |
| | 57 | 52 | 240.1 | 14.8 | 227.3 | 14.3 | 215.3 | 13.7 | 202.5 | 13.1 | 189.7 | 12.4 | 181.4 | 12.0 |
| | 62 | 56 | 240.1 | 13.8 | 227.3 | 13.3 | 215.3 | 12.7 | 202.5 | 12.1 | 189.7 | 11.5 | 181.4 | 11.2 |
| 67 | 61 | 240.1 | 12.6 | 227.3 | 12.1 | 215.3 | 11.6 | 202.5 | 11.1 | 189.7 | 10.6 | 181.4 | 10.3 | |
| 72 | 66 | 240.1 | 11.6 | 227.3 | 11.2 | 215.3 | 10.8 | 202.5 | 10.4 | 189.7 | 10.0 | 181.4 | 9.7 | |
| 75 | 69 | 240.1 | 11.1 | 227.3 | 10.8 | 215.3 | 10.4 | 202.5 | 10.1 | 189.7 | 9.7 | 181.4 | 9.5 | |
| 80 | 74 | 240.1 | 10.2 | 227.3 | 9.8 | 215.3 | 9.4 | 202.5 | 9.0 | 189.7 | 8.5 | 181.4 | 8.2 | |

NOTE - Power Input = Compressor + Outdoor Fan Motor.
 MBH = 1000 BTUs per hour.

REVISIONS

| Sections | Description of Change |
|-------------------|-----------------------|
| Dimensions - Unit | Updated. |



Visit us at www.lennox.com

For the latest technical information, www.lennoxcommercial.com

Contact us at 1-800-4-LENNOX

NOTE - Due to Lennox' ongoing commitment to quality, Specifications, Ratings and Dimensions subject to change without notice and without incurring liability. Improper installation, adjustment, alteration, service or maintenance can cause property damage or personal injury. Installation and service must be performed by a qualified installer and servicing agency.

©2021 Lennox Industries, Inc.