



VRB
High Efficiency Heat Recovery Outdoor Unit
60 Hz

**COMMERCIAL
PRODUCT SPECIFICATIONS**

Bulletin No. 210895
October 2020
Supersedes July 2020



**ASHRAE 90.1
COMPLIANT**

6 to 41 Tons

MODEL NUMBER IDENTIFICATION

VRB072H4M-3Y

Brand/Family
V = Variable Refrigerant Flow (VRF)

Unit Type
R = Heat Recovery Outdoor Unit

Major Design Sequence
B = 2nd Generation

| Cooling Capacity - Tons | |
|-------------------------|---------------|
| 072 = 6 Tons | 312 = 26 Tons |
| 096 = 8 Tons | 336 = 28 Tons |
| 120 = 10 Tons | 360 = 30 Tons |
| 144 = 12 Tons | 384 = 32 Tons |
| 168 = 14 Tons | 408 = 34 Tons |
| 192 = 16 Tons | 432 = 36 Tons |
| 216 = 18 Tons | 456 = 38 Tons |
| 240 = 20 Tons | 480 = 40 Tons |
| 264 = 22 Tons | 504 = 41 Tons |
| 288 = 24 Tons | |

Voltage
Y = 208/230V-3 phase-60hz
G = 460V-3 phase-60hz

Controls Protocol
3 = Phase 3

Refrigerant Circuits
M = Multiple Circuits

Refrigerant Type
4 = R-410A

Cooling Efficiency
H = High Efficiency

CONTENTS

| | |
|---------------------------------------|----|
| AHRI Ratings | 9 |
| Approvals And Warranty | 3 |
| Apps And Software | 5 |
| Capacity Tables Index | 2 |
| Dimensions - Piping Details | 20 |
| Dimensions - Unit | 18 |
| Electrical Data | 7 |
| Features And Benefits | 3 |
| Installation Clearances | 21 |
| Model Number Identification. | 1 |
| Optional Accessories | 6 |
| Sound Data | 14 |
| Specifications | 7 |
| System Combinations | 6 |

CAPACITY TABLES INDEX

| | |
|---|-----|
| Cooling Capacity - Single Module VRB072H4 | 22 |
| Heating Capacity - Single Module VRB072H4 | 27 |
| Cooling Capacity - Single Module VRB096H4 | 30 |
| Heating Capacity - Single Module VRB096H4 | 35 |
| Cooling Capacity - Single Module VRB120H4 | 38 |
| Heating Capacity - Single Module VRB120H4 | 43 |
| Cooling Capacity - Single Module VRB144H4 | 46 |
| Heating Capacity - Single Module VRB144H4 | 51 |
| Cooling Capacity - Single Module VRB168H4 | 54 |
| Heating Capacity - Single Module VRB168H4 | 59 |
| Cooling Capacity - Single Module VRB192H4 | 62 |
| Heating Capacity - Single Module VRB192H4 | 67 |
| Cooling Capacity - Two Module VRB216H4. | 70 |
| Heating Capacity - Two Module VRB216H4 | 75 |
| Cooling Capacity - Two Module VRB240H4. | 78 |
| Heating Capacity - Two Module VRB240H4 | 83 |
| Cooling Capacity - Two Module VRB264H4. | 86 |
| Heating Capacity - Two Module VRB264H4 | 91 |
| Cooling Capacity - Two Module VRB288H4. | 94 |
| Heating Capacity - Two Module VRB288H4 | 99 |
| Cooling Capacity - Two Module VRB312H4. | 102 |
| Heating Capacity - Two Module VRB312H4 | 107 |
| Cooling Capacity - Two Module VRB336H4. | 110 |
| Heating Capacity - Two Module VRB336H4 | 115 |
| Cooling Capacity - Two Module VRB360H4. | 118 |
| Heating Capacity - Two Module VRB360H4 | 123 |
| Cooling Capacity - Two Module VRB384H4. | 126 |
| Heating Capacity - Two Module VRB384H4 | 131 |
| Cooling Capacity - Three Module VRB408H4. | 134 |
| Heating Capacity - Three Module VRB408H4. | 139 |
| Cooling Capacity - Three Module VRB432H4. | 142 |
| Heating Capacity - Three Module VRB432H4. | 147 |
| Cooling Capacity - Three Module VRB456H4. | 150 |
| Heating Capacity - Three Module VRB456H4. | 155 |
| Cooling Capacity - Three Module VRB480H4. | 158 |
| Heating Capacity - Three Module VRB480H4. | 163 |
| Cooling Capacity - Three Module VRB504H4. | 166 |
| Heating Capacity - Three Module VRB504H4. | 171 |

APPROVALS AND WARRANTY

APPROVALS

- AHRI Certified to AHRI Standard 1230-2014
- All models are ASHRAE 90.1 compliant
- Units are ETL certified for the U.S. and Canada

WARRANTY

- Compressor and all Covered Components - Limited ten years for qualifying installations
- See Warranty Certificate for details

FEATURES AND BENEFITS

OVERVIEW

- Variable-capacity outdoor units modulate the amount of refrigerant needed based on cooling and heating demands allowing for reduced energy usage at partial load conditions
- Heat Recovery units allow some indoor units to heat and other indoor units to cool simultaneously as required, while the compressor load benefits from the internal heat recovery

Operation Range

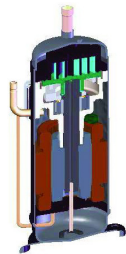
- System will operate at temperatures ranging from 5°F to 125°F in cooling mode, -13°F to 64°F in heating mode and 5°F to 80°F in simultaneous heating/cooling mode

Capacity

- Ranges from 6 to 41 tons. Up to 64 indoor units (with capacity up to 130% of total outdoor units) can be connected to one refrigeration system

Compressor

- High efficiency variable capacity scroll compressor is direct current inverter controlled
- Reduces power consumption by as much as 25% by varying compressor motor input frequency and voltage



R-410A Refrigerant

- Non-chlorine based
- Ozone-friendly

Direct Current Outdoor Fan Motor

- Outdoor unit control varies the speed of the outdoor fan motor (up to 15 steps) based on load and refrigerant discharge pressure for minimum energy consumption
- Standard on all outdoor unit models

Outdoor Fan Grille

- Enhanced design reduces sound levels

Outdoor Fan Blade Profile

- Aerodynamically designed fan blade increases the airflow rate and reduces vibration and sound



High External Static Pressure

- High-static pressure outdoor fan adapts to various installation environments
- Offers selectable external static pressure up to 0.32 in. w.g. for units in custom applications

High Performance Outdoor Coil

- Special fin design pattern reduces air resistance and increases heat transfer
- Rifled tubing provides superior refrigerant flow resulting in maximum heat transfer
- Hydrophilic coating reduces condensate build-up and improves water drainage from coil, enhancing heat transfer performance

Flexible Piping Design

- Supports extended refrigerant piping and drop lengths

Four-Way Valve Control

- Reverses refrigerant flow during cooling or heating modes

Refrigerant Line Connections

- Gas and liquid line service valves and gauge ports are located inside the cabinet

High Pressure Sensor and Switch

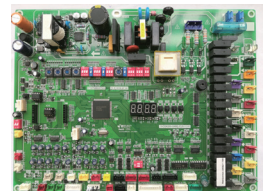
- Shuts off unit if abnormal operating conditions cause the discharge pressure to rise above setting
- Protects compressor from excessive discharge pressure

Low Pressure Sensor and Switch

- Shuts off unit if suction pressure falls below setting
- Provides loss of charge and freeze-up protection.

Unit Control Board

- Contains all necessary relays and controls to setup, maintain and service the system
- LED readout aids in system setup, maintenance and servicing
- Rotary DIP switches allow outdoor and indoor unit addressing, starting time silent time and mode, static pressure selection, outdoor unit capacity and network addressing
- LEDs indicate power supply, unit operation, network operation, inverter module operation



FEATURES AND BENEFITS

LED Display

- Located inside the unit cabinet
 - Control System Mode Operation (Off/Cooling /Heating /Mix Cooling/Mix Heating)
 - Monitor Compressor Status (Main Compressor Speed, Sub Compressor Speed)
 - Monitor Voltage, Monitor Status (Latest Error Code / Defrosting / Oil Return / Standby / Running)
 - Buttons select Home / Menu, Back and Enter and Up/ Down buttons to make selection
 - LEDs indicate menu status Data, Alarm, Setting, Services



Pulse Meter Connections

- Real-time monitoring of energy consumption through the Lennox VRF manager (LVM) Touchscreen Centralized Controller

NOTE - Pulse meter is not furnished and must be field provided.

Cycle Duty and Backup Operation

- In a multiple outdoor unit setup, any outdoor unit can be programmed as the main outdoor unit to maintain system operation during servicing
- Main outdoor unit is set on the control board

Precise Oil Control Technology

- Five-stage oil balance and return technology ensures proper compressor operation throughout the system
 - **1st Stage** - Oil and gas is separate in compressor
 - **2nd Stage** - High efficiency centrifugal oil separator (efficiency up to 99%) keeps oil from being distributed by high pressure and high temperature refrigerant gas and returns oil to compressor
 - **3rd Stage** - Refrigerant piping design between compressors keeps proper oil balance
 - **4th Stage** - Valve between outdoor unit stages maintains proper oil balance
 - **5th Stage** - Intelligent oil return algorithm implemented through the unit control maintains proper oil balance



Intelligent Soft Start

- Gradually ramps up compressor to speed to conserve energy

Control Box

- Contains main unit controller, DC inverter module, inverter reactor, filter board, outdoor power supply control, DC fan control module, contactor, power transformers and terminal block
- Swing-out design allows easy access to compressor compartment.

Night Silence Mode

- Reduces the speed of the outdoor fans for quiet operation
- The start time is measured in hours from the daytime peak temperature and the operating time is configurable
- Extra silent mode reduces sound levels to a minimum of 45 dBA

Remote Addressing

- Outdoor unit can automatically distribute addresses to indoor units without any manual settings
- Optional wireless remote control can inquire and modify each indoor unit's address

Optional Accessories

Hail Guard Kit

- Flat design allows outdoor modules to be placed close together
- Painted to match the outdoor unit

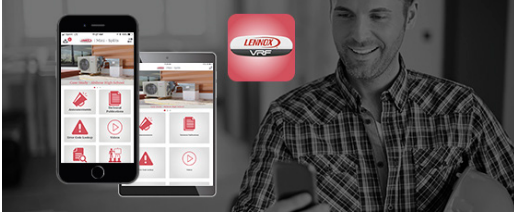
Low Ambient Kit (-10°F)

- Units operate in the cooling mode down to 5°F outdoor air temperature without any additional controls
- Kit can be added in the field enabling unit to operate properly down to -10°F in the cooling mode

NOTE - For multiple outdoor unit combinations (side by side). One top assembly and one rear panel is required for each outdoor unit module. Only two side panels are required for each side of the outermost outdoor unit modules.

APPS AND SOFTWARE

Lennox VRF and VRF Mini-Split App



Gives you resources to technical information for VRF and VRF mini-Split systems including:

Error Code Lookup

- Access to error codes for quicker troubleshooting

Document Library

- Easily view product specifications, submittals and installation manuals

Refrigerant Charge Calculator

- Quickly calculate additional charge for installed piping

Quick Reference

- View pressure-test and evacuation-procedure processes and pre-commissioning checklist

Pipe Limitations

- View recommended specifications

Videos

- Learn more about the Lennox VRF system

NOTE - This app is a central database of technical, service, installation, and troubleshooting guides and does not directly connect to the Lennox VRF System.



NOTE - Apple, the Apple logo, iPhone and iPad are trademarks of Apple Inc. registered in the US and other countries.
Android is a trademark of Google Inc. Use of this trademark is subject to Google permission.

SYSTEM COMBINATIONS

| Model No. | Capacity | Outdoor Units Combinations | Maximum Number of Indoor Units |
|-----------|----------|--|--------------------------------|
| VRB072H4 | 6 Ton | (1) VRB072H4 | 13 |
| VRB096H4 | 8 Ton | (1) VRB096H4 | 17 |
| VRB120H4 | 10 Ton | (1) VRB120H4 | 22 |
| VRB144H4 | 12 Ton | (1) VRB144H4 | 25 |
| VRB168H4 | 14 Ton | (1) VRB168H4 | 29 |
| VRB192H4 | 16 Ton | (1) VRB192H4 | 35 |
| VRB216H4 | 18 Ton | (1) VRB120H4 + (1) VRB096H4 | 40 |
| VRB240H4 | 20 Ton | (2) VRB120H4 | 44 |
| VRB264H4 | 22 Ton | (1) VRB144H4 + (1) VRB120H4 | 49 |
| VRB288H4 | 24 Ton | (1) VRB168H4 + (1) VRB120H4 | 53 |
| VRB312H4 | 26 Ton | (1) VRB192H4 + (1) VRB120H4 | 57 |
| VRB336H4 | 28 Ton | (2) VRB168H4 | 62 |
| VRB360H4 | 30 Ton | (1) VRB192H4 + (1) VRB168H4 | 64 |
| VRB384H4 | 32 Ton | (2) VRB192H4 | 64 |
| VRB408H4 | 34 Ton | (1) VRB168H4 + (2) VRB120H4 | 64 |
| VRB432H4 | 36 Ton | (1) VRB168H4 + (1) VRB144H4 + (1) VRB120H4 | 64 |
| VRB456H4 | 38 Ton | (1) VRB168H4 + (2) VRB144H4 | 64 |
| VRB480H4 | 40 Ton | (2) VRB168H4 + (1) VRB144H4 | 64 |
| VRB504H4 | 41 Ton | (3) VRB168H4 | 64 |

OPTIONAL ACCESSORIES

| Item Description | Catalog Number | Unit Model No | |
|---|----------------|----------------------------------|----------------------------------|
| | | VRB072H4 VRB096H4 VRB120H4 | VRB144H4 VRB168H4 VRB192H4 |
| HAIL GUARD KIT | | | |
| | Order 1 | 19S80 | X |
| | Order 1 | 19S81 | X |
| LOW AMBIENT KIT (-10°F) | | | |
| Low Ambient Cooling Hood Assembly with Damper and Control Box (Order 1) | | 19H01 | X |
| ¹ Side Wind Deflector (Order 2) | | 19H02 | X |
| Rear Wind Deflector (Order 1) | | 19H03 | X |
| Low Ambient Cooling Hood Assembly with Damper and Control Box (Order 1) | | 19H04 | X |
| ¹ Side Wind Deflector (Order 2) | | 19H05 | X |
| Rear Wind Deflector and Corner Panels (Order 1) | | 19H06 | X |

NOTE - If using the Lennox VRF Selection Software, the correct number of components will automatically be ordered.

¹ Multiple outdoor unit combinations (side by side) - One top assembly and one rear panel is required for each outdoor unit module. Only two side panels are required for each side of the outermost outdoor unit modules.

| SPECIFICATIONS | | INDIVIDUAL OUTDOOR UNITS - 6 TON 8 TON 10 TON | | |
|--------------------------------|--------------------------------------|---|-------------------|-------------------|
| Model No. | | VRB072H4 | VRB096H4 | VRB120H4 |
| | Nominal Size - Tons | 6 | 8 | 10 |
| Sound Data (dBA) | 208/230V | 62 | 64 | 65 |
| | 460V | 65 | 68 | 69 |
| Refrigerant | Type | R-410A | R-410A | R-410A |
| | Charge furnished | 23 lbs. 8 oz. | 23 lbs. 8 oz. | 23 lbs. 8 oz. |
| Compressor | No. and Type | (1) DC inverter | (1) DC inverter | (1) DC inverter |
| | Crankcase heater - W | (2) 30 | (2) 30 | (2) 30 |
| | Refrigerant oil type | FVC68D | FVC68D | FVC68D |
| | Refrigerant oil charge - oz. | 37.2 | 37.2 | 37.2 |
| Connections - in. (sweat) | Liquid pipe | 5/8 | 5/8 | 5/8 |
| | Gas pipe (low pressure) | 1-1/8 | 1-1/8 | 1-1/8 |
| | Gas pipe (high pressure) | 1 | 1 | 1 |
| | Gas balance pipe (high pressure) | 3/4 | 3/4 | 3/4 |
| | Oil balance pipe | 1/4 | 1/4 | 1/4 |
| Outdoor Fans | Quantity, Type and Material | (2) Axial Plastic | (2) Axial Plastic | (2) Axial Plastic |
| | External Static Pressure - in. w.g. | 0 - 0.32 | 0 - 0.32 | 0 - 0.32 |
| | Air volume - cfm | 8200 | 8700 | 9200 |
| | Motor rpm | (2) 880 | (2) 930 | (2) 980 |
| Outdoor Coil | Number of rows | 3 | 3 | 3 |
| | Tube pitch (a) × row pitch (b) - in. | 7/8 x 3/4 | 7/8 x 3/4 | 7/8 x 3/4 |
| | Fin spacing - in. | 5/8 | 5/8 | 5/8 |
| | Fin type | Hydrophilic aluminium | | |
| | Tube outside diameter - in. | 5/16 | 5/16 | 5/16 |
| | Tube type | Rifled copper tubing | | |
| | Coil dimension (W × H) - in. | 42-7/8 x 48-1/2 | 42-7/8 x 48-1/2 | 42-7/8 x 48-1/2 |
| | Quantity | 2 | 2 | 2 |
| | Number of circuits | 14 | 14 | 14 |
| Design Pressure | High/low | 650 / 250 | 650 / 250 | 650 / 250 |
| Ambient Temperature Range (°F) | Cooling | 1 5 to 125°F | | |
| | Heating | -13 to 64°F | | |
| | Simultaneous Cooling/Heating | 2 5 to 80°F | | |
| Shipping Data | Net/Shipping weight - 208/230V | 761 / 831 | 761 / 831 | 761 / 831 |
| | 460V | 787 / 858 | 787 / 858 | 787 / 858 |
| Connectable Indoor Units | Total capacity (%) | 50 to 130 | 50 to 130 | 50 to 130 |
| | Maximum quantity | 13 | 17 | 22 |
| Electrical Data | | See separate Electrical Data Table for individual outdoor unit data | | |

¹ Cooling range: -10 to 122°F with optional Low Ambient Kit.

² Main heating range: 4 to 68°F.

| ELECTRICAL DATA | | INDIVIDUAL OUTDOOR UNITS | | | | | |
|-------------------|--|--------------------------|---------|----------|---------|----------|---------|
| Model No. | | VRB072H4 | | VRB096H4 | | VRB120H4 | |
| | Line voltage data - 60 hz - 3 phase | 208/230V | 460V | 208/230V | 460V | 208/230V | 460V |
| | ¹ Maximum Overcurrent Protection (amps) | 45 | 30 | 45 | 30 | 60 | 30 |
| | ² Minimum circuit ampacity | 39.0 | 26.8 | 39.0 | 28.2 | 54.0 | 29.5 |
| Compressor | No. of compressors | 1 | 1 | 1 | 1 | 1 | 1 |
| | Rated load amps | 26.3 | 19 | 26.3 | 20 | 38.3 | 21 |
| Outdoor Fan Motor | Motor type | DC | DC | DC | DC | DC | DC |
| | No. of motors | 2 | 2 | 2 | 2 | 2 | 2 |
| | Full load amps | 2.6/2.9 | 1.4/1.6 | 2.9/3.2 | 1.5/1.7 | 2.9/3.2 | 1.5/1.7 |
| | Input - W | 680/780 | 750/850 | 780/890 | 820/930 | 780/890 | 820/930 |
| | Output - W | 580/660 | 640/720 | 670/760 | 700/800 | 670/760 | 700/800 |

NOTES:

In multiple module systems each outdoor unit requires a separate electrical connection:

Incoming voltage must not be above or below these voltage ranges:

208/230V - 182V minimum, 269V maximum

460V - 404V minimum, 530V maximum

¹ HACR type circuit breaker or fuse.

² Refer to National or Canadian Electrical Code manual to determine wire, fuse and disconnect size requirements.

| SPECIFICATIONS | | INDIVIDUAL OUTDOOR UNITS - 12 TON 14 TON 16 TON | | |
|---------------------------------------|--------------------------------------|---|-------------------|-------------------|
| Model No. | | VRB144H4 | VRB168H4 | VRB192H4 |
| | Nominal Size - Tons | 12 | 14 | 16 |
| Sound Data (dBA) | 208/230V | 65 | 67 | 67 |
| | 460V | 65 | 67 | 67 |
| Refrigerant | Type | R-410A | R-410A | R-410A |
| | Charge furnished | 23 lbs. 8 oz. | 23 lbs. 8 oz. | 23 lbs. 8 oz. |
| Compressor | No. and Type | (2) DC inverter | (2) DC inverter | (2) DC inverter |
| | Crankcase heater - W | (4) 30 | (4) 30 | (4) 30 |
| | Refrigerant oil type | FVC68D | FVC68D | FVC68D |
| | Refrigerant oil charge - oz. | 37.2 | 37.2 | 37.2 |
| Connections - in. (sweat) | Liquid pipe | 3/4 | 3/4 | 3/4 |
| | Gas pipe (low pressure) | 1-1/4 | 1-1/4 | 1-1/4 |
| | Gas pipe (high pressure) | 1-1/4 | 1-1/4 | 1-1/4 |
| | Gas balance pipe (high pressure) | 3/4 | 3/4 | 3/4 |
| | Oil balance pipe | 1/4 | 1/4 | 1/4 |
| Outdoor Fans | Quantity, Type and Material | (2) Axial Plastic | (2) Axial Plastic | (2) Axial Plastic |
| | External Static Pressure - in. w.g. | 0 - 0.32 | 0 - 0.32 | 0 - 0.32 |
| | Air volume - cfm | 12,500 | 12,500 | 12,500 |
| | Motor rpm | (2) 850 | (2) 850 | (2) 850 |
| Outdoor Coil | Number of rows | 3 | 3 | 3 |
| | Tube pitch (a) × row pitch (b) - in. | 7/8 x 3/4 | 7/8 x 3/4 | 7/8 x 3/4 |
| | Fin spacing - in. | 5/8 | 5/8 | 5/8 |
| | Fin type | Hydrophilic aluminium | | |
| | Tube outside diameter - in. | 5/16 | 5/16 | 5/16 |
| | Tube type | Rifled copper tubing | | |
| | Coil dimension (W × D × H) - in. | 49-7/16 x 55-7/16 | 49-7/16 x 55-7/16 | 49-7/16 x 55-7/16 |
| | Quantity | 2 | 2 | 2 |
| | Number of circuits | 14 | 14 | 14 |
| Design Pressure | High/low | 650 / 250 | 650 / 250 | 650 / 250 |
| Ambient Temperature Range (°F) | Cooling | 1 5 to 125°F | | |
| | Heating | -13 to 64°F | | |
| | Simultaneous Cooling/Heating | 2 5 to 80°F | | |
| Shipping Data | Net/Shipping weight - 208/230V | 1071 / 1122 | 1071 / 1122 | 1071 / 1122 |
| | 460V | 1089 / 1118 | 1089 / 1118 | 1089 / 1118 |
| Connectable Indoor Units | Total capacity (%) | 50 to 130 | 50 to 130 | 50 to 130 |
| | Maximum quantity | 25 | 29 | 35 |
| Electrical Data | | See separate Electrical Data Table for individual outdoor unit data | | |

¹ Cooling range: -10 to 122°F with optional Low Ambient Kit.

² Main heating range: 4 to 68°F.

| ELECTRICAL DATA | | INDIVIDUAL OUTDOOR UNITS | | | | | |
|--------------------------|--|--------------------------|-------------|-----------------|-------------|-----------------|-------------|
| Model No. | | VRB144H4 | | VRB168H4 | | VRB192H4 | |
| | Line voltage data - 60 hz - 3 phase | 208/230V | 460V | 208/230V | 460V | 208/230V | 460V |
| | ¹ Maximum Overcurrent Protection (amps) | 80 | 40 | 80 | 40 | 80 | 40 |
| | ² Minimum circuit ampacity | 69.5 | 37.4 | 69.5 | 39 | 69.5 | 39.6 |
| Compressor | No. of compressors | 2 | 2 | 2 | 2 | 2 | 2 |
| | Rated load amps | 27.2/27.2 | 15/14 | 27.2/27.2 | 15.5/15 | 27.2/27.2 | 16/15 |
| Outdoor Fan Motor | Motor type | DC | DC | DC | DC | DC | DC |
| | No. of motors | 2 | 2 | 2 | 2 | 2 | 2 |
| | Full load amps | 4.0/4.3 | 2.2/2.4 | 4.0/4.3 | 2.2/2.4 | 4.0/4.3 | 2.2/2.4 |
| | Input - W | 1200/1200 | 1200/1200 | 1200/1200 | 1200/1200 | 1200/1200 | 1200/1200 |
| | Output - W | 900/940 | 900/940 | 900/940 | 900/940 | 900/940 | 900/940 |

NOTES:

In multiple module systems each outdoor unit requires a separate electrical connection:

Incoming voltage must not be above or below these voltage ranges:

208/230V - 182V minimum, 269V maximum

460V - 404V minimum, 530V maximum

¹ HACR type circuit breaker or fuse.

² Refer to National or Canadian Electrical Code manual to determine wire, fuse and disconnect size requirements.

AHRI RATINGS SINGLE MODULE SYSTEMS - 6 TON | 8 TON

| Model No. | Nominal Size - Tons | VRB072H4 | | | VRB096H4 | | |
|---------------------------|---------------------------|-------------------|----------------|-----------------------------|-----------|------------|-----------------------------|
| | | 6 | | | 8 | | |
| 1 AHRI Ratings | Indoor System Type | Ducted | Non-Ducted | Mixed Ducted and Non-Ducted | Ducted | Non-Ducted | Mixed Ducted and Non-Ducted |
| | | 208/230V - 3ph | Cooling - Btuh | 69,000 | 69,000 | 69,000 | 92,000 |
| High Temp. Heating - Btuh | 77,000 | | 77,000 | 77,000 | 103,000 | 103,000 | 103,000 |
| Low Temp. Heating - Btuh | 58,000 | | 58,000 | 58,000 | 72,000 | 72,000 | 72,000 |
| EER | 13.00 | | 14.80 | 13.90 | 12.40 | 13.20 | 12.80 |
| IEER | 22.80 | | 25.40 | 24.10 | 23.00 | 26.20 | 24.60 |
| ² SCHE | 27.80 | | 32.80 | 30.30 | 28.00 | 32.50 | 30.25 |
| Heating COP 47°F (high) | 3.84 | | 4.29 | 4.06 | 3.80 | 3.99 | 3.89 |
| Heating COP 17°F (low) | 2.57 | | 2.72 | 2.64 | 2.60 | 2.65 | 2.62 |
| AHRI Reference Number | 202918942 | | 202918941 | 202918943 | 202918948 | 202918947 | 202918949 |
| 460V- 3ph | Cooling - Btuh | | 69,000 | 69,000 | 69,000 | 92,000 | 92,000 |
| | High Temp. Heating - Btuh | 77,000 | 77,000 | 77,000 | 103,000 | 103,000 | 103,000 |
| | Low Temp. Heating - Btuh | 58,000 | 58,000 | 58,000 | 72,000 | 72,000 | 72,000 |
| | EER | 13.00 | 14.80 | 13.90 | 12.40 | 13.20 | 12.80 |
| | IEER | 22.80 | 25.40 | 24.10 | 23.00 | 26.20 | 24.60 |
| | ² SCHE | 27.80 | 32.80 | 30.30 | 28.00 | 32.50 | 30.25 |
| | Heating COP 47°F (high) | 3.84 | 4.29 | 4.06 | 3.80 | 3.99 | 3.89 |
| | Heating COP 17°F (low) | 2.57 | 2.72 | 2.64 | 2.60 | 2.65 | 2.62 |
| | AHRI Reference Number | 202918939 | 202918938 | 202918940 | 202918945 | 202918944 | 202918946 |

NOTE - Per AHRI, the certified ratings for VRF systems are valid for all combinations of indoor units with the specific outdoor units listed above and in the AHRI Directory of Certified Equipment. Please visit www.ahridirectory.org for further details and latest updates.

¹ Ratings are AHRI certified to AHRI Standard 1230-2014;

- Cooling Ratings - 80°F dry bulb/67°F wet bulb entering indoor coil air and 95°F dry bulb/75°F wet bulb outdoor air temperature.
- High Temperature Heating Ratings - 70°F dry bulb/60°F wet bulb entering indoor coil air and 47°F dry bulb/43°F wet bulb outdoor air temperature.
- Low Temperature Heating Ratings - 70°F dry bulb/60°F wet bulb entering indoor coil air and 17°F dry bulb/15°F wet bulb outdoor air temperature.

² SCHE - Simultaneous Heating and Cooling Efficiency.

AHRI RATINGS SINGLE MODULE SYSTEMS - 10 TON | 12 TON

| Model No. | Nominal Size - Tons | VRB120H4 | | | VRB144H4 | | |
|---------------------------|---------------------------|-------------------|----------------|-----------------------------|-----------|------------|-----------------------------|
| | | 10 | | | 12 | | |
| 1 AHRI Ratings | Indoor System Type | Ducted | Non-Ducted | Mixed Ducted and Non-Ducted | Ducted | Non-Ducted | Mixed Ducted and Non-Ducted |
| | | 208/230V - 3ph | Cooling - Btuh | 115,000 | 115,000 | 115,000 | 138,000 |
| High Temp. Heating - Btuh | 129,000 | | 129,000 | 129,000 | 154,000 | 154,000 | 154,000 |
| Low Temp. Heating - Btuh | 84,000 | | 84,000 | 84,000 | 109,000 | 109,000 | 109,000 |
| EER | 12.00 | | 12.00 | 12.00 | 12.00 | 11.70 | 11.85 |
| IEER | 22.60 | | 24.10 | 23.35 | 22.00 | 23.00 | 22.50 |
| ² SCHE | 30.00 | | 32.00 | 31.00 | 28.60 | 32.10 | 30.35 |
| Heating COP 47°F (high) | 3.64 | | 3.56 | 3.60 | 3.60 | 3.75 | 3.67 |
| Heating COP 17°F (low) | 2.59 | | 2.47 | 2.53 | 2.45 | 2.43 | 2.44 |
| AHRI Reference Number | 202918954 | | 202918953 | 202918955 | 202918960 | 202918959 | 202918961 |
| 460V- 3ph | Cooling - Btuh | | 115,000 | 115,000 | 115,000 | 138,000 | 138,000 |
| | High Temp. Heating - Btuh | 129,000 | 129,000 | 129,000 | 154,000 | 154,000 | 154,000 |
| | Low Temp. Heating - Btuh | 84,000 | 84,000 | 84,000 | 109,000 | 109,000 | 109,000 |
| | EER | 12.00 | 12.00 | 12.00 | 12.00 | 11.70 | 11.85 |
| | IEER | 22.60 | 24.10 | 23.35 | 22.00 | 23.00 | 22.50 |
| | ² SCHE | 30.00 | 32.00 | 31.00 | 28.60 | 32.10 | 30.35 |
| | Heating COP 47°F (high) | 3.64 | 3.56 | 3.60 | 3.60 | 3.75 | 3.67 |
| | Heating COP 17°F (low) | 2.59 | 2.47 | 2.53 | 2.45 | 2.43 | 2.44 |
| | AHRI Reference Number | 202918951 | 202918950 | 202918952 | 202918957 | 202918956 | 202918958 |

NOTE - Per AHRI, the certified ratings for VRF systems are valid for all combinations of indoor units with the specific outdoor units listed above and in the AHRI Directory of Certified Equipment. Please visit www.ahridirectory.org for further details and latest updates.

¹ Ratings are AHRI certified to AHRI Standard 1230-2014;

- Cooling Ratings - 80°F dry bulb/67°F wet bulb entering indoor coil air and 95°F dry bulb/75°F wet bulb outdoor air temperature.
- High Temperature Heating Ratings - 70°F dry bulb/60°F wet bulb entering indoor coil air and 47°F dry bulb/43°F wet bulb outdoor air temperature.
- Low Temperature Heating Ratings - 70°F dry bulb/60°F wet bulb entering indoor coil air and 17°F dry bulb/15°F wet bulb outdoor air temperature.

² SCHE - Simultaneous Heating and Cooling Efficiency.

AHRI RATINGS

SINGLE MODULE SYSTEMS - 14 TON | 16 TON

| Model No. | Nominal Size - Tons | VRB168H4 | | | VRB192H4 | | |
|---------------------------|---------------------------|----------------|----------------|-----------------------------|-----------|------------|-----------------------------|
| | | 14 | | | 16 | | |
| 1 AHRI Ratings | Indoor System Type | Ducted | Non-Ducted | Mixed Ducted and Non-Ducted | Ducted | Non-Ducted | Mixed Ducted and Non-Ducted |
| | | 208/230V - 3ph | Cooling - Btuh | 160,000 | 160,000 | 160,000 | 184,000 |
| High Temp. Heating - Btuh | 180,000 | | 180,000 | 180,000 | 206,000 | 206,000 | 206,000 |
| Low Temp. Heating - Btuh | 128,000 | | 128,000 | 128,000 | 134,000 | 134,000 | 134,000 |
| EER | 11.50 | | 11.30 | 11.40 | 11.20 | 10.90 | 11.05 |
| IEER | 21.90 | | 22.00 | 21.95 | 21.30 | 21.20 | 21.25 |
| 2 SCHE | 29.20 | | 31.50 | 30.35 | 29.50 | 30.70 | 30.10 |
| Heating COP 47°F (high) | 3.45 | | 3.50 | 3.47 | 3.32 | 3.25 | 3.28 |
| Heating COP 17°F (low) | 2.30 | | 2.24 | 2.27 | 2.28 | 2.25 | 2.26 |
| AHRI Reference Number | 202918966 | | 202918965 | 202918967 | 202918972 | 202918971 | 202918973 |
| 460V- 3ph | Cooling - Btuh | | 160,000 | 160,000 | 160,000 | 184,000 | 184,000 |
| | High Temp. Heating - Btuh | 180,000 | 180,000 | 180,000 | 206,000 | 206,000 | 206,000 |
| | Low Temp. Heating - Btuh | 128,000 | 128,000 | 128,000 | 134,000 | 134,000 | 134,000 |
| | EER | 11.50 | 11.30 | 11.40 | 11.20 | 10.90 | 11.05 |
| | IEER | 21.90 | 22.00 | 21.95 | 21.30 | 21.20 | 21.25 |
| | 2 SCHE | 29.20 | 31.50 | 30.35 | 29.50 | 30.70 | 30.10 |
| | Heating COP 47°F (high) | 3.45 | 3.50 | 3.47 | 3.32 | 3.25 | 3.28 |
| | Heating COP 17°F (low) | 2.30 | 2.24 | 2.27 | 2.28 | 2.25 | 2.26 |
| | AHRI Reference Number | 202918963 | 202918962 | 202918964 | 202918969 | 202918968 | 202918970 |

NOTE - Per AHRI, the certified ratings for VRF systems are valid for all combinations of indoor units with the specific outdoor units listed above and in the AHRI Directory of Certified Equipment. Please visit www.ahridirectory.org for further details and latest updates.

1 Ratings are AHRI certified to AHRI Standard 1230-2014;

• Cooling Ratings - 80°F dry bulb/67°F wet bulb entering indoor coil air and 95°F dry bulb/75°F wet bulb outdoor air temperature.

• High Temperature Heating Ratings - 70°F dry bulb/60°F wet bulb entering indoor coil air and 47°F dry bulb/43°F wet bulb outdoor air temperature.

• Low Temperature Heating Ratings - 70°F dry bulb/60°F wet bulb entering indoor coil air and 17°F dry bulb/15°F wet bulb outdoor air temperature.

2 SCHE - Simultaneous Heating and Cooling Efficiency.

AHRI RATINGS

TWO MODULE SYSTEMS - 18 TON | 20 TON

| Model No. | Outdoor Unit Combinations | VRB216H4 | | | VRB240H4 | | |
|---------------------------|---------------------------|-----------------------------|------------|-----------------------------|--------------|------------|-----------------------------|
| | | (1) VRB120H4 + (1) VRB096H4 | | | (2) VRB120H4 | | |
| 1 AHRI Ratings | Nominal Size - Tons | 18 | | | 20 | | |
| | | Ducted | Non-Ducted | Mixed Ducted and Non-Ducted | Ducted | Non-Ducted | Mixed Ducted and Non-Ducted |
| 208/230V - 3ph | Cooling - Btuh | 206,000 | 206,000 | 206,000 | 230,000 | 230,000 | 230,000 |
| | High Temp. Heating - Btuh | 232,000 | 232,000 | 232,000 | 258,000 | 258,000 | 258,000 |
| | Low Temp. Heating - Btuh | 164,000 | 164,000 | 164,000 | 182,000 | 182,000 | 182,000 |
| | EER | 11.60 | 11.60 | 11.60 | 11.10 | 10.80 | 10.95 |
| | IEER | 20.90 | 22.30 | 21.60 | 20.30 | 22.00 | 21.15 |
| | 2 SCHE | 28.10 | 31.20 | 29.65 | 27.90 | 30.40 | 29.15 |
| | Heating COP 47°F (high) | 3.54 | 3.66 | 3.60 | 3.37 | 3.40 | 3.38 |
| | Heating COP 17°F (low) | 2.33 | 2.36 | 2.34 | 2.27 | 2.16 | 2.21 |
| | AHRI Reference Number | 202918978 | 202918977 | 202918979 | 202918984 | 202918983 | 202918985 |
| | 460V- 3ph | Cooling - Btuh | 206,000 | 206,000 | 206,000 | 230,000 | 230,000 |
| High Temp. Heating - Btuh | | 232,000 | 232,000 | 232,000 | 258,000 | 258,000 | 258,000 |
| Low Temp. Heating - Btuh | | 164,000 | 164,000 | 164,000 | 182,000 | 182,000 | 182,000 |
| EER | | 11.60 | 11.60 | 11.60 | 11.10 | 10.80 | 10.95 |
| IEER | | 20.90 | 22.30 | 21.60 | 20.30 | 22.00 | 21.15 |
| 2 SCHE | | 28.10 | 31.20 | 29.65 | 27.90 | 30.40 | 29.15 |
| Heating COP 47°F (high) | | 3.54 | 3.66 | 3.60 | 3.37 | 3.40 | 3.38 |
| Heating COP 17°F (low) | | 2.33 | 2.36 | 2.34 | 2.27 | 2.16 | 2.21 |
| AHRI Reference Number | | 202918975 | 202918974 | 202918976 | 202918981 | 202918980 | 202918982 |

NOTE - Per AHRI, the certified ratings for VRF systems are valid for all combinations of indoor units with the specific outdoor units listed above and in the AHRI Directory of Certified Equipment. Please visit www.ahridirectory.org for further details and latest updates.

1 Ratings are AHRI certified to AHRI Standard 1230-2014;

• Cooling Ratings - 80°F dry bulb/67°F wet bulb entering indoor coil air and 95°F dry bulb/75°F wet bulb outdoor air temperature.

• High Temperature Heating Ratings - 70°F dry bulb/60°F wet bulb entering indoor coil air and 47°F dry bulb/43°F wet bulb outdoor air temperature.

• Low Temperature Heating Ratings - 70°F dry bulb/60°F wet bulb entering indoor coil air and 17°F dry bulb/15°F wet bulb outdoor air temperature.

2 SCHE - Simultaneous Heating and Cooling Efficiency.

AHRI RATINGS TWO MODULE SYSTEMS - 22 TON | 24 TON

| Model No. | | VRB264H4 | | | VRB288H4 | | | |
|---------------------------|---------------------------|-----------------------------|------------|-----------------------------|-----------------------------|------------|-----------------------------|-----------|
| Outdoor Unit Combinations | | (1) VRB144H4 + (1) VRB120H4 | | | (1) VRB168H4 + (1) VRB120H4 | | | |
| Nominal Size - Tons | | 22 | | | 24 | | | |
| ¹ AHRI Ratings | Indoor System Type | Ducted | Non-Ducted | Mixed Ducted and Non-Ducted | Ducted | Non-Ducted | Mixed Ducted and Non-Ducted | |
| 208/230V - 3ph | Cooling - Btuh | 252,000 | 252,000 | 252,000 | 276,000 | 276,000 | 276,000 | |
| | High Temp. Heating - Btuh | 282,000 | 282,000 | 282,000 | 308,000 | 308,000 | 308,000 | |
| | Low Temp. Heating - Btuh | 200,000 | 200,000 | 200,000 | 210,000 | 210,000 | 210,000 | |
| | EER | 11.20 | 11.50 | 11.35 | 10.50 | 10.90 | 10.70 | |
| | IEER | 21.60 | 22.10 | 21.85 | 20.80 | 21.30 | 21.05 | |
| | ² SCHE | 28.20 | 31.20 | 29.70 | 27.60 | 29.70 | 28.65 | |
| | Heating COP 47°F (high) | 3.50 | 3.61 | 3.55 | 3.42 | 3.46 | 3.44 | |
| | Heating COP 17°F (low) | 2.40 | 2.40 | 2.40 | 2.30 | 2.33 | 2.31 | |
| | AHRI Reference Number | | 202918990 | 202918989 | 202918991 | 202918996 | 202918995 | 202918997 |
| | 460V- 3ph | Cooling - Btuh | 252,000 | 252,000 | 252,000 | 276,000 | 276,000 | 276,000 |
| High Temp. Heating - Btuh | | 282,000 | 282,000 | 282,000 | 308,000 | 308,000 | 308,000 | |
| Low Temp. Heating - Btuh | | 200,000 | 200,000 | 200,000 | 210,000 | 210,000 | 210,000 | |
| EER | | 11.20 | 11.50 | 11.35 | 10.50 | 10.90 | 10.70 | |
| IEER | | 21.60 | 22.10 | 21.85 | 20.80 | 21.30 | 21.05 | |
| ² SCHE | | 28.20 | 31.20 | 29.70 | 27.60 | 29.70 | 28.65 | |
| Heating COP 47°F (high) | | 3.50 | 3.61 | 3.55 | 3.42 | 3.46 | 3.44 | |
| Heating COP 17°F (low) | | 2.40 | 2.40 | 2.40 | 2.30 | 2.33 | 2.31 | |
| AHRI Reference Number | | | 202918987 | 202918986 | 202918988 | 202918993 | 202918992 | 202918994 |

NOTE - Per AHRI, the certified ratings for VRF systems are valid for all combinations of indoor units with the specific outdoor units listed above and in the AHRI Directory of Certified Equipment. Please visit www.ahridirectory.org for further details and latest updates.

¹ Ratings are AHRI certified to AHRI Standard 1230-2014;

• Cooling Ratings - 80°F dry bulb/67°F wet bulb entering indoor coil air and 95°F dry bulb/75°F wet bulb outdoor air temperature.

• High Temperature Heating Ratings - 70°F dry bulb/60°F wet bulb entering indoor coil air and 47°F dry bulb/43°F wet bulb outdoor air temperature.

• Low Temperature Heating Ratings - 70°F dry bulb/60°F wet bulb entering indoor coil air and 17°F dry bulb/15°F wet bulb outdoor air temperature.

² SCHE - Simultaneous Heating and Cooling Efficiency.

AHRI RATINGS TWO MODULE SYSTEMS - 26 TON | 28 TON

| Model No. | | VRB312H4 | | | VRB336H4 | | | |
|---------------------------|---------------------------|-----------------------------|------------|-----------------------------|--------------|------------|-----------------------------|-----------|
| Outdoor Unit Combinations | | (1) VRB192H4 + (1) VRB120H4 | | | (2) VRB168H4 | | | |
| Nominal Size - Tons | | 26 | | | 28 | | | |
| ¹ AHRI Ratings | Indoor System Type | Ducted | Non-Ducted | Mixed Ducted and Non-Ducted | Ducted | Non-Ducted | Mixed Ducted and Non-Ducted | |
| 208/230V - 3ph | Cooling - Btuh | 298,000 | 298,000 | 298,000 | 320,000 | 320,000 | 320,000 | |
| | High Temp. Heating - Btuh | 334,000 | 334,000 | 334,000 | 360,000 | 360,000 | 360,000 | |
| | Low Temp. Heating - Btuh | 222,000 | 222,000 | 222,000 | 244,000 | 244,000 | 244,000 | |
| | EER | 10.00 | 10.50 | 10.25 | 10.40 | 10.60 | 10.50 | |
| | IEER | 20.40 | 20.40 | 20.40 | 19.30 | 20.60 | 19.95 | |
| | ² SCHE | 25.60 | 28.20 | 26.90 | 24.90 | 28.00 | 26.45 | |
| | Heating COP 47°F (high) | 3.30 | 3.25 | 3.27 | 3.39 | 3.30 | 3.34 | |
| | Heating COP 17°F (low) | 2.24 | 2.19 | 2.21 | 2.38 | 2.30 | 2.34 | |
| | AHRI Reference Number | | 202919002 | 202919001 | 202919003 | 202919008 | 202919007 | 202919009 |
| | 460V- 3ph | Cooling - Btuh | 298,000 | 298,000 | 298,000 | 320,000 | 320,000 | 320,000 |
| High Temp. Heating - Btuh | | 334,000 | 334,000 | 334,000 | 360,000 | 360,000 | 360,000 | |
| Low Temp. Heating - Btuh | | 222,000 | 222,000 | 222,000 | 244,000 | 244,000 | 244,000 | |
| EER | | 10.00 | 10.50 | 10.25 | 10.40 | 10.60 | 10.50 | |
| IEER | | 20.40 | 20.40 | 20.40 | 19.30 | 20.60 | 19.95 | |
| ² SCHE | | 25.60 | 28.20 | 26.90 | 24.90 | 28.00 | 26.45 | |
| Heating COP 47°F (high) | | 3.30 | 3.25 | 3.27 | 3.39 | 3.30 | 3.34 | |
| Heating COP 17°F (low) | | 2.24 | 2.19 | 2.21 | 2.38 | 2.30 | 2.34 | |
| AHRI Reference Number | | | 202918999 | 202918998 | 202919000 | 202919005 | 202919004 | 202919006 |

NOTE - Per AHRI, the certified ratings for VRF systems are valid for all combinations of indoor units with the specific outdoor units listed above and in the AHRI Directory of Certified Equipment. Please visit www.ahridirectory.org for further details and latest updates.

¹ Ratings are AHRI certified to AHRI Standard 1230-2014;

• Cooling Ratings - 80°F dry bulb/67°F wet bulb entering indoor coil air and 95°F dry bulb/75°F wet bulb outdoor air temperature.

• High Temperature Heating Ratings - 70°F dry bulb/60°F wet bulb entering indoor coil air and 47°F dry bulb/43°F wet bulb outdoor air temperature.

• Low Temperature Heating Ratings - 70°F dry bulb/60°F wet bulb entering indoor coil air and 17°F dry bulb/15°F wet bulb outdoor air temperature.

² SCHE - Simultaneous Heating and Cooling Efficiency.

AHRI RATINGS

TWO MODULE SYSTEMS - 30 TON | 32 TON

| Model No. Outdoor Unit Combinations | | VRB360H4 | | | VRB384H4 | | | |
|--|---------------------------|-----------------------------|----------------|-----------------------------|--------------|------------|-----------------------------|-----------|
| | | (1) VRB192H4 + (1) VRB168H4 | | | (2) VRB192H4 | | | |
| | | 30 | | | 32 | | | |
| Nominal Size - Tons | Indoor System Type | Ducted | Non-Ducted | Mixed Ducted and Non-Ducted | Ducted | Non-Ducted | Mixed Ducted and Non-Ducted | |
| | | ¹ AHRI Ratings | 208/230V - 3ph | Cooling - Btuh | 344,000 | 344,000 | 344,000 | 366,000 |
| | High Temp. Heating - Btuh | | 380,000 | 380,000 | 380,000 | 396,000 | 396,000 | 396,000 |
| | Low Temp. Heating - Btuh | | 258,000 | 258,000 | 258,000 | 266,000 | 266,000 | 266,000 |
| | EER | | 9.90 | 9.90 | 9.90 | 9.50 | 9.50 | 9.50 |
| | IEER | | 18.60 | 19.50 | 19.05 | 18.40 | 19.30 | 18.85 |
| | ² SCHE | | 24.40 | 26.10 | 25.25 | 23.90 | 24.90 | 24.40 |
| | Heating COP 47°F (high) | | 3.35 | 3.20 | 3.27 | 3.32 | 3.20 | 3.26 |
| | Heating COP 17°F (low) | | 2.33 | 2.29 | 2.31 | 2.30 | 2.28 | 2.29 |
| | AHRI Reference Number | | 202919014 | 202919013 | 202919015 | 202919020 | 202919019 | 202919021 |
| 460V- 3ph | Cooling - Btuh | | 344,000 | 344,000 | 344,000 | 366,000 | 366,000 | 366,000 |
| | High Temp. Heating - Btuh | | 380,000 | 380,000 | 380,000 | 396,000 | 396,000 | 396,000 |
| | Low Temp. Heating - Btuh | | 258,000 | 258,000 | 258,000 | 266,000 | 266,000 | 266,000 |
| | EER | | 9.90 | 9.90 | 9.90 | 9.50 | 9.50 | 9.50 |
| | IEER | | 18.60 | 19.50 | 19.05 | 18.40 | 19.30 | 18.85 |
| | ² SCHE | 24.40 | 26.10 | 25.25 | 23.90 | 24.90 | 24.40 | |
| | Heating COP 47°F (high) | 3.35 | 3.20 | 3.27 | 3.32 | 3.20 | 3.26 | |
| | Heating COP 17°F (low) | 2.33 | 2.29 | 2.31 | 2.30 | 2.28 | 2.29 | |
| | AHRI Reference Number | 202919011 | 202919010 | 202919012 | 202919017 | 202919016 | 202919018 | |

NOTE - Per AHRI, the certified ratings for VRF systems are valid for all combinations of indoor units with the specific outdoor units listed above and in the AHRI Directory of Certified Equipment. Please visit www.ahridirectory.org for further details and latest updates.

¹ Ratings are AHRI certified to AHRI Standard 1230-2014;

• Cooling Ratings - 80°F dry bulb/67°F wet bulb entering indoor coil air and 95°F dry bulb/75°F wet bulb outdoor air temperature.

• High Temperature Heating Ratings - 70°F dry bulb/60°F wet bulb entering indoor coil air and 47°F dry bulb/43°F wet bulb outdoor air temperature.

• Low Temperature Heating Ratings - 70°F dry bulb/60°F wet bulb entering indoor coil air and 17°F dry bulb/15°F wet bulb outdoor air temperature.

² SCHE - Simultaneous Heating and Cooling Efficiency.

AHRI RATINGS

THREE MODULE SYSTEMS - 34 TON | 36 TON

| Model No. Outdoor Unit Combinations | | VRB408H4 | | | VRB432H4 | | | |
|--|---------------------------|-----------------------------|----------------|-----------------------------|--|------------|-----------------------------|-----------|
| | | (1) VRB168H4 + (2) VRB120H4 | | | (1) VRB168H4 +(1) VRB144H4 + 1) VRB120H4 | | | |
| | | 34 | | | 36 | | | |
| Nominal Size - Tons | Indoor System Type | Ducted | Non-Ducted | Mixed Ducted and Non-Ducted | Ducted | Non-Ducted | Mixed Ducted and Non-Ducted | |
| | | ¹ AHRI Ratings | 208/230V - 3ph | Cooling - Btuh | 390,000 | 390,000 | 390,000 | 416,000 |
| | High Temp. Heating - Btuh | | 436,000 | 436,000 | 436,000 | 460,000 | 460,000 | 460,000 |
| | Low Temp. Heating - Btuh | | 294,000 | 294,000 | 294,000 | 312,000 | 312,000 | 312,000 |
| | EER | | 9.50 | 9.50 | 9.50 | 9.50 | 9.50 | 9.50 |
| | IEER | | 18.70 | 18.40 | 18.55 | 18.40 | 18.30 | 18.35 |
| | ² SCHE | | 22.60 | 23.00 | 22.80 | 22.20 | 22.50 | 22.35 |
| | Heating COP 47°F (high) | | 3.21 | 3.20 | 3.20 | 3.28 | 3.20 | 3.24 |
| | Heating COP 17°F (low) | | 2.23 | 2.11 | 2.17 | 2.23 | 2.11 | 2.17 |
| | AHRI Reference Number | | 202919026 | 202919025 | 202919027 | 202919032 | 202919031 | 202919033 |
| 460V- 3ph | Cooling - Btuh | | 390,000 | 390,000 | 390,000 | 416,000 | 416,000 | 416,000 |
| | High Temp. Heating - Btuh | | 436,000 | 436,000 | 436,000 | 460,000 | 460,000 | 460,000 |
| | Low Temp. Heating - Btuh | | 294,000 | 294,000 | 294,000 | 312,000 | 312,000 | 312,000 |
| | EER | | 9.50 | 9.50 | 9.50 | 9.50 | 9.50 | 9.50 |
| | IEER | | 18.70 | 18.40 | 18.55 | 18.40 | 18.30 | 18.35 |
| | ² SCHE | 22.60 | 23.00 | 22.80 | 22.20 | 22.50 | 22.35 | |
| | Heating COP 47°F (high) | 3.21 | 3.20 | 3.20 | 3.28 | 3.20 | 3.24 | |
| | Heating COP 17°F (low) | 2.23 | 2.11 | 2.17 | 2.23 | 2.11 | 2.17 | |
| | AHRI Reference Number | 202919023 | 202919022 | 202919024 | 202919029 | 202919028 | 202919030 | |

NOTE - Per AHRI, the certified ratings for VRF systems are valid for all combinations of indoor units with the specific outdoor units listed above and in the AHRI Directory of Certified Equipment. Please visit www.ahridirectory.org for further details and latest updates.

¹ Ratings are AHRI certified to AHRI Standard 1230-2014;

• Cooling Ratings - 80°F dry bulb/67°F wet bulb entering indoor coil air and 95°F dry bulb/75°F wet bulb outdoor air temperature.

• High Temperature Heating Ratings - 70°F dry bulb/60°F wet bulb entering indoor coil air and 47°F dry bulb/43°F wet bulb outdoor air temperature.

• Low Temperature Heating Ratings - 70°F dry bulb/60°F wet bulb entering indoor coil air and 17°F dry bulb/15°F wet bulb outdoor air temperature.

² SCHE - Simultaneous Heating and Cooling Efficiency.

AHRI RATINGS THREE MODULE SYSTEMS - 38 TON | 40 TON

| Model No. | | VRB456H4 | | | VRB480H4 | | |
|---------------------------|---------------------------|--------------------------------|------------|-----------------------------|--------------------------------|------------|-----------------------------|
| Outdoor Unit Combinations | | (1) VRB168H4 + (2) VRB144H4 | | | (2) VRB168H4 + (1) VRB144H4 | | |
| Nominal Size - Tons | | 38 | | | 40 | | |
| 1 AHRI Ratings | Indoor System Type | Ducted | Non-Ducted | Mixed Ducted and Non-Ducted | Ducted | Non-Ducted | Mixed Ducted and Non-Ducted |
| 208/230V - 3ph | Cooling - Btuh | 436,000 | 436,000 | 436,000 | 456,000 | 456,000 | 456,000 |
| | High Temp. Heating - Btuh | 490,000 | 490,000 | 490,000 | 510,000 | 510,000 | 510,000 |
| | Low Temp. Heating - Btuh | 322,000 | 322,000 | 322,000 | 346,000 | 346,000 | 346,000 |
| | EER | 9.50 | 9.50 | 9.50 | 9.30 | 9.30 | 9.30 |
| | IEER | 17.30 | 18.60 | 17.95 | 16.80 | 18.40 | 17.60 |
| | ² SCHE | 21.50 | 21.90 | 21.70 | 21.10 | 21.30 | 21.20 |
| | Heating COP 47°F (high) | 3.20 | 3.20 | 3.20 | 3.20 | 3.20 | 3.20 |
| | Heating COP 17°F (low) | 2.30 | 2.30 | 2.30 | 2.25 | 2.25 | 2.25 |
| | AHRI Reference Number | 202919038 | 202919037 | 202919039 | 202919044 | 202919043 | 202919045 |
| | 460V- 3ph | Cooling - Btuh | 436,000 | 436,000 | 436,000 | 456,000 | 456,000 |
| High Temp. Heating - Btuh | | 490,000 | 490,000 | 490,000 | 510,000 | 510,000 | 510,000 |
| Low Temp. Heating - Btuh | | 322,000 | 322,000 | 322,000 | 346,000 | 346,000 | 346,000 |
| EER | | 9.50 | 9.50 | 9.50 | 9.30 | 9.30 | 9.30 |
| IEER | | 17.30 | 18.60 | 17.95 | 16.80 | 18.40 | 17.60 |
| ² SCHE | | 21.50 | 21.90 | 21.70 | 21.10 | 21.30 | 21.20 |
| Heating COP 47°F (high) | | 3.20 | 3.20 | 3.20 | 3.20 | 3.20 | 3.20 |
| Heating COP 17°F (low) | | 2.30 | 2.30 | 2.30 | 2.25 | 2.25 | 2.25 |
| AHRI Reference Number | | 202919035 | 202919034 | 202919036 | 202919041 | 202919040 | 202919042 |

NOTE - Per AHRI, the certified ratings for VRF systems are valid for all combinations of indoor units with the specific outdoor units listed above and in the AHRI Directory of Certified Equipment. Please visit www.ahridirectory.org for further details and latest updates.

¹ Ratings are AHRI certified to AHRI Standard 1230-2014;

- Cooling Ratings - 80°F dry bulb/67°F wet bulb entering indoor coil air and 95°F dry bulb/75°F wet bulb outdoor air temperature.
- High Temperature Heating Ratings - 70°F dry bulb/60°F wet bulb entering indoor coil air and 47°F dry bulb/43°F wet bulb outdoor air temperature.
- Low Temperature Heating Ratings - 70°F dry bulb/60°F wet bulb entering indoor coil air and 17°F dry bulb/15°F wet bulb outdoor air temperature.

² SCHE - Simultaneous Heating and Cooling Efficiency.

AHRI RATINGS THREE MODULE SYSTEMS - 41 TON

| Model No. | | VRB504H4 | | |
|---------------------------|---------------------------|----------------|------------|-----------------------------|
| Outdoor Unit Combinations | | (3) VRB168H4 | | |
| Nominal Size - Tons | | 41 | | |
| 1 AHRI Ratings | Indoor System Type | Ducted | Non-Ducted | Mixed Ducted and Non-Ducted |
| 208/230V - 3ph | Cooling - Btuh | 470,000 | 470,000 | 470,000 |
| | High Temp. Heating - Btuh | 512,000 | 512,000 | 512,000 |
| | Low Temp. Heating - Btuh | 352,000 | 352,000 | 352,000 |
| | EER | 9.30 | 9.30 | 9.30 |
| | IEER | 16.30 | 17.60 | 16.95 |
| | ² SCHE | 20.70 | 20.00 | 20.35 |
| | Heating COP 47°F (high) | 3.20 | 3.20 | 3.20 |
| | Heating COP 17°F (low) | 2.23 | 2.20 | 2.21 |
| | AHRI Reference Number | 202919050 | 202919049 | 202919051 |
| | 460V- 3ph | Cooling - Btuh | 470,000 | 470,000 |
| High Temp. Heating - Btuh | | 512,000 | 512,000 | 512,000 |
| Low Temp. Heating - Btuh | | 352,000 | 352,000 | 352,000 |
| EER | | 9.30 | 9.30 | 9.30 |
| IEER | | 16.30 | 17.60 | 16.95 |
| ² SCHE | | 20.70 | 20.00 | 20.35 |
| Heating COP 47°F (high) | | 3.20 | 3.20 | 3.20 |
| Heating COP 17°F (low) | | 2.23 | 2.20 | 2.21 |
| AHRI Reference Number | | 202919047 | 202919046 | 202919048 |

NOTE - Per AHRI, the certified ratings for VRF systems are valid for all combinations of indoor units with the specific outdoor units listed above and in the AHRI Directory of Certified Equipment. Please visit www.ahridirectory.org for further details and latest updates.

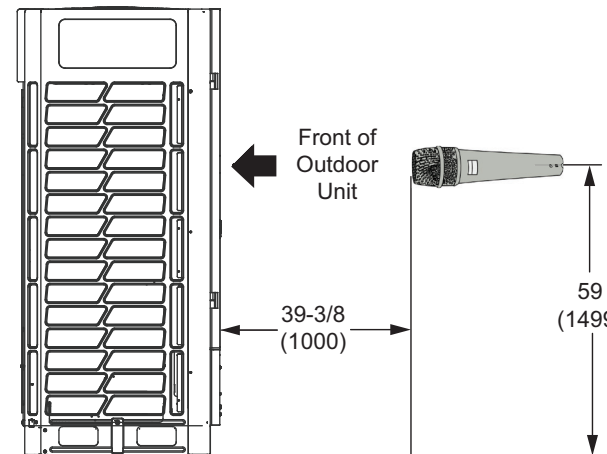
¹ Ratings are AHRI certified to AHRI Standard 1230-2014;

- Cooling Ratings - 80°F dry bulb/67°F wet bulb entering indoor coil air and 95°F dry bulb/75°F wet bulb outdoor air temperature.
- High Temperature Heating Ratings - 70°F dry bulb/60°F wet bulb entering indoor coil air and 47°F dry bulb/43°F wet bulb outdoor air temperature.
- Low Temperature Heating Ratings - 70°F dry bulb/60°F wet bulb entering indoor coil air and 17°F dry bulb/15°F wet bulb outdoor air temperature.

² SCHE - Simultaneous Heating and Cooling Efficiency.

SOUND DATA

SOUND LEVELS



NOTES:

- Data is valid at free field condition
- Data is valid at nominal operating condition
- Sound level will vary depending on a range of factors such as the construction (acoustic absorption coefficient) of particular room in which the equipment is installed
- Sound level can be increased in static pressure mode or used air guide.

| Model | Sound Pressure Levels (dBA) | |
|-------|-----------------------------|------|
| | 208/230V | 460V |
| 072 | 62 | 65 |
| 096 | 64 | 68 |
| 120 | 65 | 69 |
| 144 | 65 | 65 |
| 168 | 67 | 67 |
| 192 | 67 | 67 |
| 216 | 68 | 72 |
| 240 | 69 | 73 |
| 264 | 69 | 71 |
| 288 | 70 | 72 |
| 312 | 70 | 72 |
| 336 | 71 | 71 |
| 360 | 71 | 71 |
| 384 | 71 | 71 |
| 408 | 71 | 74 |
| 432 | 71 | 73 |
| 456 | 71 | 71 |
| 480 | 72 | 72 |
| 504 | 72 | 72 |

SOUND DATA

VRB072H4 SINGLE MODULE

| Unit Side | Mode | Voltage | Octave Linear Band Sound Power Levels dBA, re 10 ⁻¹² Watts | | | | | | | | | Sound Rating Number dB(A) |
|-----------|---------|---------|---|------|------|------|------|------|------|------|------|---------------------------|
| | | | Center Frequency - HZ | | | | | | | | | |
| | | | 31.5 | 63 | 125 | 250 | 500 | 1000 | 2000 | 4000 | 8000 | |
| 1 | Cooling | 230V | 66.0 | 70.5 | 71.9 | 64.1 | 58.3 | 54.7 | 48.8 | 43.7 | 36.9 | 61.6 |
| 2 | Cooling | 230V | 65.8 | 71.8 | 69.7 | 65.6 | 62.8 | 58.2 | 55.1 | 49.6 | 44.6 | 64.6 |
| 3 | Cooling | 230V | 69.2 | 73.8 | 70.2 | 66.5 | 64.6 | 59.9 | 57.4 | 51.6 | 45.9 | 66.0 |
| 4 | Cooling | 230V | 65.2 | 68.7 | 72.8 | 66.5 | 61.1 | 57.7 | 52.4 | 46.2 | 40.0 | 64.0 |
| 1 | Heating | 230V | 71.5 | 71.8 | 73.2 | 65.1 | 61.6 | 57.5 | 52.9 | 46.0 | 38.8 | 63.9 |
| 2 | Heating | 230V | 70.9 | 72.9 | 70.8 | 66.8 | 64.4 | 60.1 | 58.8 | 52.1 | 44.4 | 66.6 |
| 3 | Heating | 230V | 72.8 | 75.2 | 71.7 | 66.9 | 65.8 | 61.6 | 59.7 | 52.9 | 46.5 | 67.6 |
| 4 | Heating | 230V | 70.6 | 69.8 | 73.4 | 66.3 | 63.2 | 59.2 | 55.2 | 50.3 | 40.5 | 65.3 |
| 1 | Cooling | 460V | 70.2 | 69.9 | 71.5 | 63.0 | 58.7 | 55.2 | 50.7 | 43.5 | 40.9 | 61.6 |
| 2 | Cooling | 460V | 69.0 | 67.5 | 69.1 | 65.8 | 62.7 | 59.1 | 57.9 | 52.1 | 45.7 | 65.4 |
| 3 | Cooling | 460V | 70.2 | 71.6 | 69.5 | 65.4 | 63.5 | 60.6 | 61.5 | 53.1 | 49.3 | 67.0 |
| 4 | Cooling | 460V | 71.1 | 68.0 | 71.4 | 65.3 | 61.4 | 57.8 | 53.7 | 51.3 | 46.5 | 64.0 |
| 1 | Heating | 460V | 70.5 | 72.7 | 72.7 | 65.1 | 61.2 | 56.9 | 51.8 | 45.4 | 38.1 | 63.5 |
| 2 | Heating | 460V | 69.4 | 71.3 | 72.8 | 67.4 | 64.5 | 62.4 | 59.3 | 55.9 | 44.8 | 67.8 |
| 3 | Heating | 460V | 72.0 | 74.7 | 70.1 | 69.2 | 65.2 | 62.5 | 62.8 | 55.9 | 46.2 | 68.8 |
| 4 | Heating | 460V | 68.4 | 70.2 | 71.6 | 65.2 | 63.3 | 59.7 | 55.0 | 49.5 | 42.0 | 65.1 |

NOTES - The octave sound power data does not include tonal corrections. Sound Rating Number tested according to AHRI Standard 370 (includes pure tone penalty).
 "SRN" is the overall A-Weighted Sound Power Level, (LWA), dB (100 Hz to 10,000 Hz).
 31.5 and 63HZ band is not certified and is usually lower than reported.

VRB096H4 SINGLE MODULE

| Unit Side | Mode | Voltage | Octave Linear Band Sound Power Levels dBA, re 10 ⁻¹² Watts | | | | | | | | | Sound Rating Number dB(A) |
|-----------|---------|---------|---|------|------|------|------|------|------|------|------|---------------------------|
| | | | Center Frequency - HZ | | | | | | | | | |
| | | | 31.5 | 63 | 125 | 250 | 500 | 1000 | 2000 | 4000 | 8000 | |
| 1 | Cooling | 230V | 68.4 | 72.8 | 73.7 | 66.2 | 60.0 | 56.6 | 51.5 | 44.4 | 38.7 | 63.4 |
| 2 | Cooling | 230V | 66.8 | 72.8 | 71.9 | 67.8 | 64.9 | 60.2 | 58.3 | 52.5 | 45.3 | 66.8 |
| 3 | Cooling | 230V | 70.6 | 75.2 | 71.7 | 66.7 | 65.0 | 61.7 | 59.5 | 53.3 | 47.5 | 67.2 |
| 4 | Cooling | 230V | 65.2 | 71.1 | 74.4 | 68.1 | 62.3 | 59.4 | 54.6 | 48.9 | 42.7 | 65.4 |
| 1 | Heating | 230V | 72.2 | 74.3 | 74.7 | 68.1 | 62.7 | 58.6 | 54.1 | 47.0 | 40.1 | 65.3 |
| 2 | Heating | 230V | 72.6 | 74.0 | 72.9 | 69.2 | 66.5 | 61.6 | 60.7 | 54.9 | 46.3 | 68.4 |
| 3 | Heating | 230V | 74.3 | 77.4 | 72.4 | 69.4 | 68.2 | 63.5 | 62.4 | 55.8 | 49.5 | 69.8 |
| 4 | Heating | 230V | 73.5 | 71.7 | 75.0 | 68.9 | 65.4 | 61.1 | 58.3 | 52.6 | 43.6 | 67.6 |
| 1 | Cooling | 460V | 71.5 | 70.8 | 73.8 | 65.4 | 60.6 | 56.6 | 52.0 | 45.6 | 42.4 | 63.4 |
| 2 | Cooling | 460V | 69.3 | 70.3 | 71.0 | 68.9 | 65.0 | 60.6 | 59.6 | 51.9 | 47.0 | 67.2 |
| 3 | Cooling | 460V | 71.0 | 72.4 | 70.5 | 67.7 | 64.8 | 62.0 | 60.5 | 54.2 | 50.9 | 67.6 |
| 4 | Cooling | 460V | 69.8 | 68.5 | 73.5 | 66.8 | 62.5 | 59.5 | 54.6 | 51.2 | 48.9 | 65.3 |
| 1 | Heating | 460V | 70.5 | 73.9 | 75.3 | 66.4 | 62.0 | 58.9 | 53.8 | 47.9 | 39.4 | 65.0 |
| 2 | Heating | 460V | 70.5 | 74.0 | 74.3 | 70.4 | 66.6 | 63.4 | 62.0 | 59.7 | 47.8 | 69.8 |
| 3 | Heating | 460V | 73.5 | 76.2 | 72.5 | 69.7 | 66.4 | 64.3 | 63.0 | 57.4 | 49.5 | 69.8 |
| 4 | Heating | 460V | 67.1 | 71.0 | 73.8 | 68.3 | 65.1 | 61.4 | 56.5 | 51.1 | 42.3 | 67.0 |

NOTES - The octave sound power data does not include tonal corrections. Sound Rating Number tested according to AHRI Standard 370 (includes pure tone penalty).
 "SRN" is the overall A-Weighted Sound Power Level, (LWA), dB (100 Hz to 10,000 Hz).
 31.5 and 63HZ band is not certified and is usually lower than reported.

SOUND DATA

VRB120H4 SINGLE MODULE

| Unit Side | Mode | Voltage | Octave Linear Band Sound Power Levels dBA, re 10 ⁻¹² Watts Center Frequency - HZ | | | | | | | | | Sound Rating Number dB(A) |
|-----------|---------|---------|--|------|------|------|------|------|------|------|------|---------------------------|
| | | | 31.5 | 63 | 125 | 250 | 500 | 1000 | 2000 | 4000 | 8000 | |
| 1 | Cooling | 230V | 67.6 | 72.6 | 76.0 | 68.1 | 61.7 | 57.6 | 53.1 | 45.8 | 39.8 | 65.0 |
| 2 | Cooling | 230V | 67.2 | 72.5 | 74.2 | 69.4 | 66.9 | 61.2 | 60.9 | 53.0 | 46.4 | 68.5 |
| 3 | Cooling | 230V | 70.7 | 75.8 | 70.4 | 67.8 | 66.0 | 62.6 | 62.5 | 55.4 | 48.1 | 68.7 |
| 4 | Cooling | 230V | 65.7 | 71.9 | 74.8 | 70.8 | 63.8 | 60.5 | 56.1 | 49.7 | 42.9 | 66.8 |
| 1 | Heating | 230V | 72.3 | 74.2 | 75.9 | 69.8 | 62.6 | 59.4 | 54.8 | 49.8 | 45.8 | 66.2 |
| 2 | Heating | 230V | 72.9 | 75.2 | 76.9 | 71.5 | 66.6 | 62.9 | 63.2 | 58.7 | 48.6 | 70.2 |
| 3 | Heating | 230V | 74.6 | 78.9 | 72.0 | 69.5 | 67.9 | 64.5 | 65.2 | 57.7 | 49.1 | 70.9 |
| 4 | Heating | 230V | 73.2 | 72.8 | 74.6 | 69.5 | 66.6 | 62.2 | 58.3 | 52.1 | 44.6 | 68.1 |
| 1 | Cooling | 460V | 70.9 | 71.7 | 75.8 | 66.9 | 61.2 | 58.0 | 54.7 | 47.6 | 43.8 | 65.1 |
| 2 | Cooling | 460V | 70.6 | 73.7 | 75.6 | 71.6 | 66.5 | 62.3 | 62.6 | 54.0 | 47.7 | 69.5 |
| 3 | Cooling | 460V | 72.3 | 75.6 | 70.5 | 68.5 | 66.3 | 63.0 | 65.1 | 57.0 | 52.2 | 70.1 |
| 4 | Cooling | 460V | 69.6 | 69.8 | 74.7 | 68.6 | 64.3 | 60.8 | 57.3 | 52.7 | 49.9 | 67.0 |
| 1 | Heating | 460V | 74.1 | 76.0 | 75.6 | 68.0 | 64.3 | 61.4 | 55.9 | 49.7 | 41.8 | 66.9 |
| 2 | Heating | 460V | 76.2 | 77.6 | 76.4 | 69.9 | 67.5 | 64.4 | 62.7 | 55.7 | 46.3 | 70.1 |
| 3 | Heating | 460V | 76.0 | 80.1 | 70.6 | 70.0 | 69.3 | 66.9 | 64.9 | 57.2 | 48.8 | 71.9 |
| 4 | Heating | 460V | 75.4 | 73.8 | 72.4 | 70.3 | 68.1 | 64.0 | 58.9 | 51.9 | 44.5 | 69.3 |

NOTES - The octave sound power data does not include tonal corrections. Sound Rating Number tested according to AHRI Standard 370 (includes pure tone penalty).
 "SRN" is the overall A-Weighted Sound Power Level, (LWA), dB (100 Hz to 10,000 Hz).
 31.5 and 63HZ band is not certified and is usually lower than reported.

VRB144H4 SINGLE MODULE

| Unit Side | Mode | Voltage | Octave Linear Band Sound Power Levels dBA, re 10 ⁻¹² Watts Center Frequency - HZ | | | | | | | | | Sound Rating Number dB(A) |
|-----------|---------|---------|--|------|------|------|------|------|------|------|------|---------------------------|
| | | | 31.5 | 63 | 125 | 250 | 500 | 1000 | 2000 | 4000 | 8000 | |
| 1 | Cooling | 230V | 70.6 | 71.8 | 67.0 | 61.3 | 59.2 | 55.2 | 48.4 | 41.4 | 37.2 | 60.4 |
| 2 | Cooling | 230V | 72.1 | 74.0 | 68.1 | 62.5 | 61.0 | 58.3 | 54.2 | 48.3 | 46.4 | 63.3 |
| 3 | Cooling | 230V | 71.5 | 74.6 | 66.4 | 63.8 | 63.0 | 60.3 | 56.2 | 51.7 | 47.9 | 65.1 |
| 4 | Cooling | 230V | 70.7 | 71.8 | 69.8 | 63.3 | 60.9 | 57.7 | 51.3 | 44.6 | 40.9 | 62.6 |
| 1 | Heating | 230V | 76.2 | 78.9 | 68.8 | 65.1 | 63.6 | 59.3 | 53.1 | 47.0 | 41.4 | 64.6 |
| 2 | Heating | 230V | 72.2 | 71.7 | 69.2 | 65.5 | 64.7 | 62.1 | 58.2 | 53.3 | 46.8 | 66.8 |
| 3 | Heating | 230V | 78.0 | 82.0 | 69.9 | 67.1 | 67.0 | 64.2 | 60.4 | 57.1 | 48.3 | 69.1 |
| 4 | Heating | 230V | 75.9 | 78.7 | 67.4 | 66.7 | 64.2 | 60.8 | 54.5 | 47.8 | 41.8 | 65.6 |
| 1 | Cooling | 460V | 73.6 | 76.5 | 68.5 | 62.4 | 59.5 | 55.5 | 49.3 | 42.8 | 37.0 | 61.1 |
| 2 | Cooling | 460V | 71.0 | 72.3 | 66.9 | 62.3 | 61.2 | 58.4 | 53.9 | 49.5 | 43.0 | 63.2 |
| 3 | Cooling | 460V | 73.9 | 77.7 | 66.7 | 64.4 | 63.1 | 60.3 | 55.8 | 52.4 | 46.4 | 65.2 |
| 4 | Cooling | 460V | 72.1 | 74.5 | 70.7 | 62.8 | 61.0 | 57.6 | 51.2 | 45.6 | 41.3 | 62.8 |
| 1 | Heating | 460V | 69.8 | 69.6 | 73.8 | 64.5 | 62.7 | 58.6 | 51.6 | 46.0 | 39.7 | 64.1 |
| 2 | Heating | 460V | 72.5 | 73.1 | 70.2 | 65.1 | 64.3 | 61.3 | 57.2 | 54.4 | 47.5 | 66.4 |
| 3 | Heating | 460V | 70.3 | 71.9 | 70.4 | 67.4 | 67.3 | 63.4 | 59.5 | 57.6 | 49.0 | 68.9 |
| 4 | Heating | 460V | 72.7 | 72.4 | 71.8 | 65.2 | 63.6 | 60.1 | 54.0 | 50.7 | 43.9 | 65.2 |

NOTES - The octave sound power data does not include tonal corrections. Sound Rating Number tested according to AHRI Standard 370 (includes pure tone penalty).
 "SRN" is the overall A-Weighted Sound Power Level, (LWA), dB (100 Hz to 10,000 Hz).
 31.5 and 63HZ band is not certified and is usually lower than reported.

SOUND DATA

VRB168H4 SINGLE MODULE

| Unit Side | Mode | Voltage | Octave Linear Band Sound Power Levels dBA, re 10 ⁻¹² Watts | | | | | | | | | Sound Rating Number dB(A) |
|-----------|---------|---------|---|------|------|------|------|------|------|------|------|---------------------------|
| | | | Center Frequency - HZ | | | | | | | | | |
| | | | 31.5 | 63 | 125 | 250 | 500 | 1000 | 2000 | 4000 | 8000 | |
| 1 | Cooling | 230V | 68.8 | 67.1 | 72.9 | 62.8 | 60.8 | 56.6 | 50.4 | 43.5 | 37.9 | 62.5 |
| 2 | Cooling | 230V | 68.2 | 65.2 | 67.8 | 64.1 | 62.5 | 59.9 | 57.1 | 51.7 | 47.1 | 65.0 |
| 3 | Cooling | 230V | 68.7 | 72.8 | 68.3 | 65.4 | 65.0 | 62.0 | 59.0 | 54.7 | 48.7 | 67.1 |
| 4 | Cooling | 230V | 70.6 | 74.0 | 67.8 | 64.5 | 62.6 | 59.3 | 53.5 | 49.5 | 41.6 | 64.2 |
| 1 | Heating | 230V | 72.1 | 70.8 | 74.1 | 66.9 | 64.7 | 60.6 | 54.3 | 49.1 | 42.1 | 66.2 |
| 2 | Heating | 230V | 71.0 | 72.9 | 73.3 | 66.8 | 66.0 | 63.4 | 60.9 | 57.6 | 46.7 | 68.8 |
| 3 | Heating | 230V | 70.9 | 74.6 | 73.4 | 68.9 | 68.6 | 65.6 | 62.1 | 57.2 | 48.7 | 70.6 |
| 4 | Heating | 230V | 71.1 | 72.1 | 70.3 | 69.0 | 65.4 | 62.0 | 56.0 | 49.1 | 43.0 | 67.0 |
| 1 | Cooling | 460V | 68.8 | 65.9 | 71.6 | 63.4 | 60.7 | 56.6 | 50.3 | 43.6 | 38.2 | 62.3 |
| 2 | Cooling | 460V | 68.4 | 63.3 | 66.4 | 64.4 | 63.1 | 60.0 | 55.4 | 51.7 | 44.7 | 64.8 |
| 3 | Cooling | 460V | 68.7 | 70.9 | 66.4 | 65.8 | 64.9 | 62.1 | 57.9 | 54.8 | 48.3 | 66.8 |
| 4 | Cooling | 460V | 69.9 | 71.2 | 67.2 | 64.5 | 62.3 | 59.2 | 52.8 | 49.0 | 42.8 | 64.0 |
| 1 | Heating | 460V | 71.9 | 74.6 | 73.3 | 66.9 | 63.6 | 60.1 | 53.3 | 49.2 | 42.5 | 65.5 |
| 2 | Heating | 460V | 73.4 | 77.1 | 71.8 | 68.2 | 66.8 | 63.1 | 59.4 | 59.6 | 50.0 | 69.0 |
| 3 | Heating | 460V | 73.8 | 80.0 | 71.5 | 69.8 | 68.1 | 65.2 | 61.8 | 62.0 | 51.6 | 70.9 |
| 4 | Heating | 460V | 71.8 | 71.2 | 71.5 | 68.1 | 66.3 | 62.3 | 55.6 | 52.3 | 45.1 | 67.5 |

NOTES - The octave sound power data does not include tonal corrections. Sound Rating Number tested according to AHRI Standard 370 (includes pure tone penalty).
 "SRN" is the overall A-Weighted Sound Power Level, (LWA), dB (100 Hz to 10,000 Hz).
 31.5 and 63HZ band is not certified and is usually lower than reported.

VRB192H4 SINGLE MODULE

| Unit Side | Mode | Voltage | Octave Linear Band Sound Power Levels dBA, re 10 ⁻¹² Watts | | | | | | | | | Sound Rating Number dB(A) |
|-----------|---------|---------|---|------|------|------|------|------|------|------|------|---------------------------|
| | | | Center Frequency - HZ | | | | | | | | | |
| | | | 31.5 | 63 | 125 | 250 | 500 | 1000 | 2000 | 4000 | 8000 | |
| 1 | Cooling | 230V | 70.7 | 76.9 | 74.8 | 63.6 | 61.7 | 57.9 | 51.4 | 46.0 | 39.1 | 63.8 |
| 2 | Cooling | 230V | 70.4 | 76.3 | 68.4 | 64.4 | 63.6 | 61.1 | 56.9 | 53.9 | 47.2 | 65.9 |
| 3 | Cooling | 230V | 74.0 | 82.1 | 69.8 | 66.4 | 65.5 | 63.2 | 59.5 | 59.4 | 49.6 | 68.5 |
| 4 | Cooling | 230V | 69.2 | 73.3 | 69.3 | 65.3 | 63.7 | 60.5 | 54.3 | 48.3 | 42.3 | 65.2 |
| 1 | Heating | 230V | 73.8 | 79.8 | 73.8 | 67.1 | 65.5 | 61.2 | 55.0 | 48.8 | 42.3 | 66.9 |
| 2 | Heating | 230V | 69.7 | 73.1 | 74.8 | 67.9 | 66.7 | 64.1 | 62.1 | 55.0 | 47.0 | 69.5 |
| 3 | Heating | 230V | 76.2 | 84.1 | 73.9 | 71.2 | 68.9 | 66.4 | 62.8 | 58.0 | 49.3 | 71.6 |
| 4 | Heating | 230V | 73.1 | 80.5 | 71.1 | 70.6 | 66.6 | 62.9 | 57.1 | 49.3 | 43.5 | 68.4 |
| 1 | Cooling | 460V | 69.2 | 70.0 | 72.5 | 64.6 | 61.7 | 57.8 | 51.7 | 44.8 | 39.0 | 63.5 |
| 2 | Cooling | 460V | 68.5 | 66.6 | 68.1 | 64.9 | 63.8 | 61.0 | 57.2 | 53.7 | 46.6 | 66.0 |
| 3 | Cooling | 460V | 70.0 | 76.3 | 68.2 | 67.2 | 65.7 | 63.3 | 59.3 | 56.6 | 49.5 | 68.1 |
| 4 | Cooling | 460V | 70.2 | 73.4 | 68.6 | 65.7 | 63.6 | 60.3 | 54.4 | 48.4 | 44.5 | 65.2 |
| 1 | Heating | 460V | 71.0 | 71.8 | 73.8 | 66.9 | 64.6 | 60.6 | 54.4 | 49.1 | 42.7 | 66.2 |
| 2 | Heating | 460V | 72.1 | 73.3 | 73.4 | 68.4 | 67.8 | 63.6 | 61.6 | 58.8 | 49.8 | 69.8 |
| 3 | Heating | 460V | 72.4 | 78.9 | 70.8 | 69.8 | 70.1 | 66.4 | 62.5 | 60.6 | 52.0 | 71.8 |
| 4 | Heating | 460V | 74.0 | 75.5 | 73.1 | 68.3 | 65.8 | 63.0 | 57.0 | 52.0 | 45.7 | 67.8 |

NOTES - The octave sound power data does not include tonal corrections. Sound Rating Number tested according to AHRI Standard 370 (includes pure tone penalty).
 "SRN" is the overall A-Weighted Sound Power Level, (LWA), dB (100 Hz to 10,000 Hz).
 31.5 and 63HZ band is not certified and is usually lower than reported.

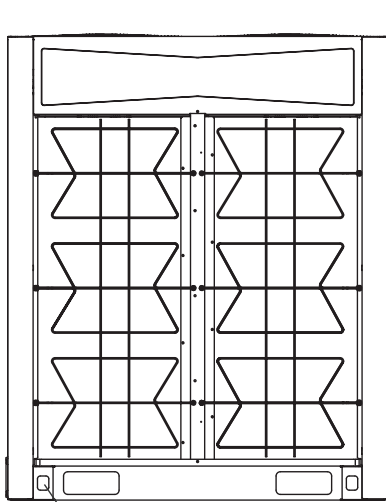
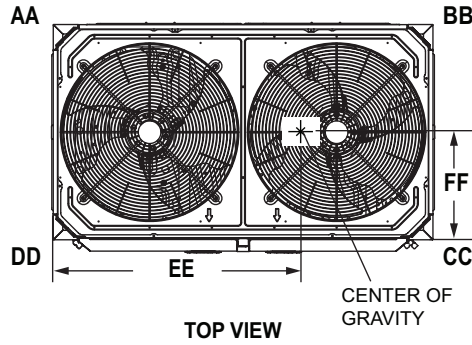
DIMENSIONS - UNIT

VRB072 | VRB096 | VRB120

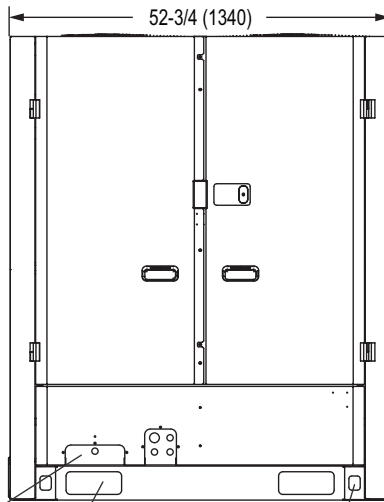
CORNER WEIGHTS

CENTER OF GRAVITY

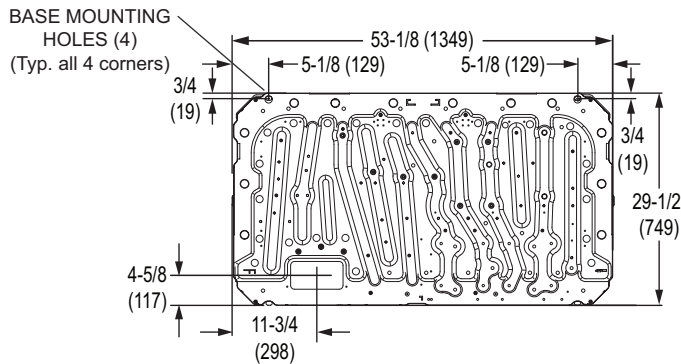
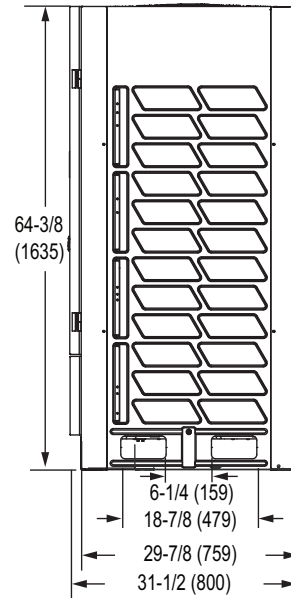
| Model No. | AA | | BB | | CC | | DD | | EE | | FF | |
|------------------|------|----|------|----|------|----|------|-----|--------|-----|--------|-----|
| | lbs. | kg | lbs. | kg | lbs. | kg | lbs. | kg | in. | mm | in. | mm |
| VRB072, 096, 120 | 121 | 55 | 203 | 92 | 211 | 96 | 251 | 114 | 27-3/4 | 705 | 12-1/4 | 311 |



LAG BOLT DESIGNATION (BOTH SIDES) (TO ACCESS LAG BOLT)



PARELLEL MODULE PIPING KNOCKOUT
 FORKLIFT SLOT (BOTH SIDES) (REFRIGERANT LINE PATH)
 LIFTING HOLES (BOTH SIDES) (FOR RIGGING)

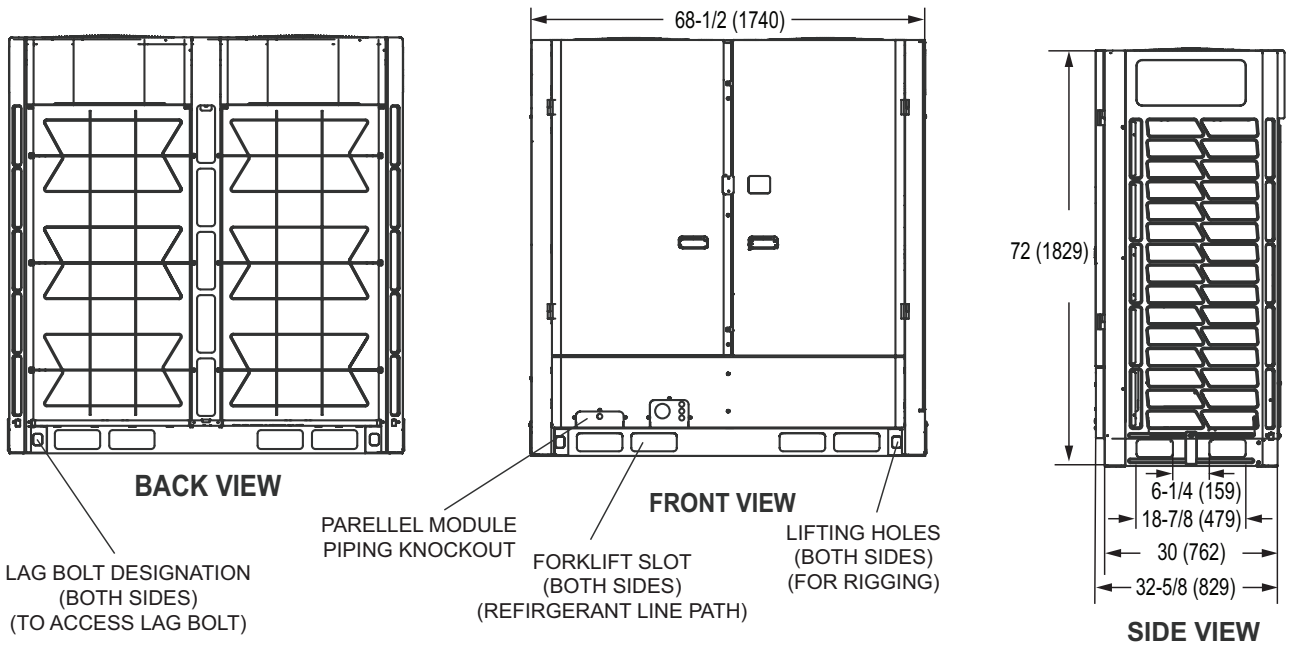
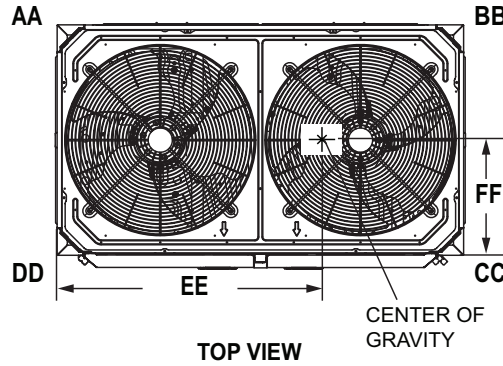


BASE MOUNTING HOLES (4) (Typ. all 4 corners)

DIMENSIONS - UNIT

VRB144 | VRB168 | VRB192

| CORNER WEIGHTS | | | | | | | | | CENTER OF GRAVITY | | | |
|------------------|------|----|------|-----|------|-----|------|-----|-------------------|-----|-----|-----|
| Model No. | AA | | BB | | CC | | DD | | EE | | FF | |
| | lbs. | kg | lbs. | kg | lbs. | kg | lbs. | kg | in. | mm | in. | mm |
| VRB144, 168, 192 | 172 | 78 | 264 | 120 | 330 | 150 | 321 | 146 | 37-1/2 | 953 | 12 | 305 |



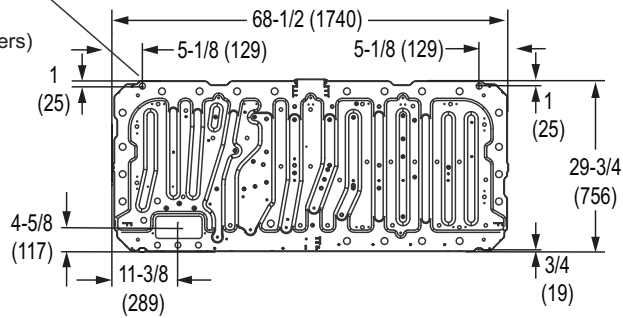
LAG BOLT DESIGNATION
(BOTH SIDES)
(TO ACCESS LAG BOLT)

PARELLEL MODULE
PIPING KNOCKOUT

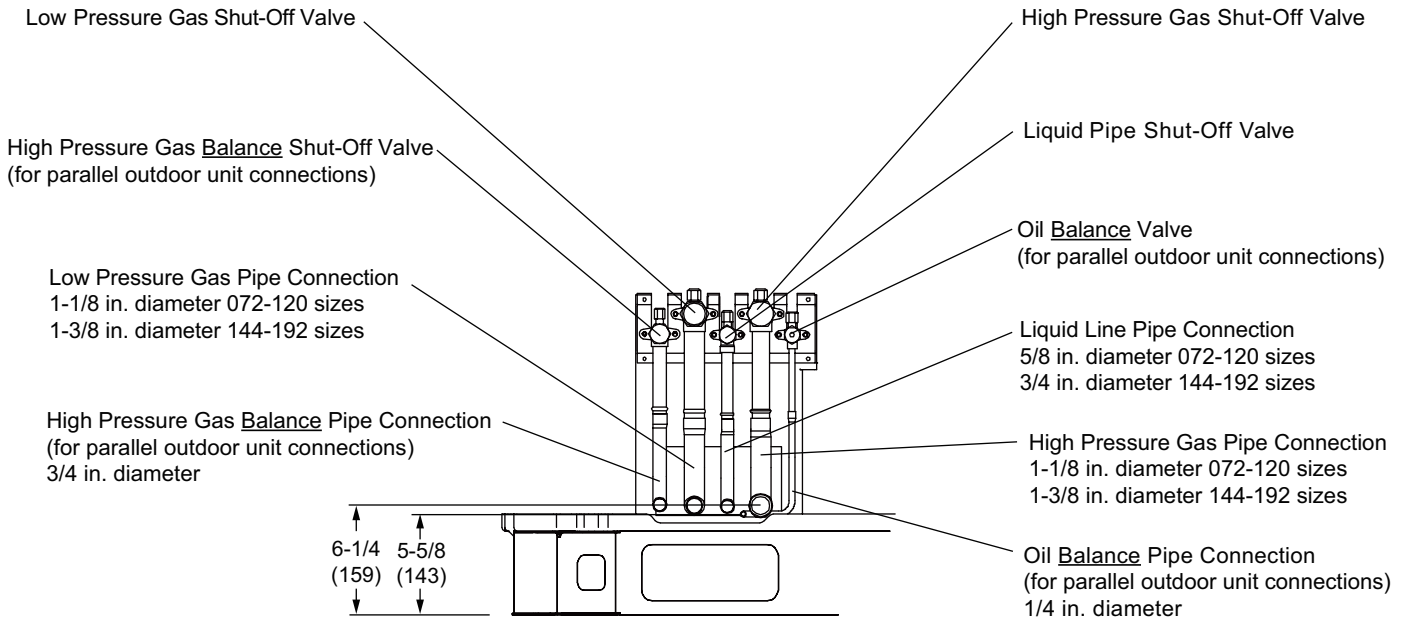
FORKLIFT SLOT
(BOTH SIDES)
(REFIRGERANT LINE PATH)

LIFTING HOLES
(BOTH SIDES)
(FOR RIGGING)

BASE MOUNTING
HOLES (4)
(Typ. all 4 corners)

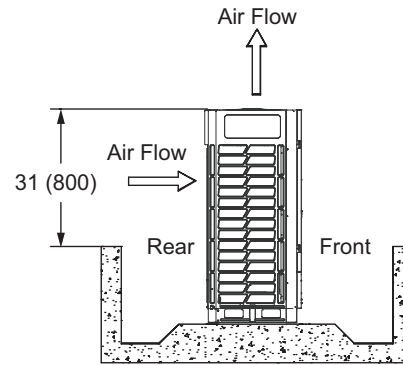
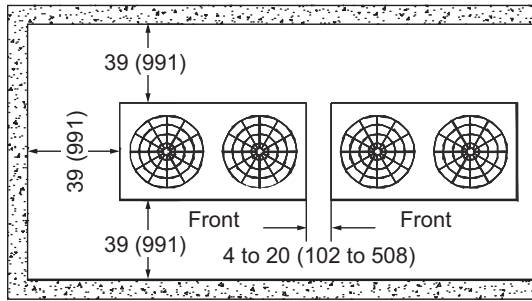


DIMENSIONS - PIPING DETAILS

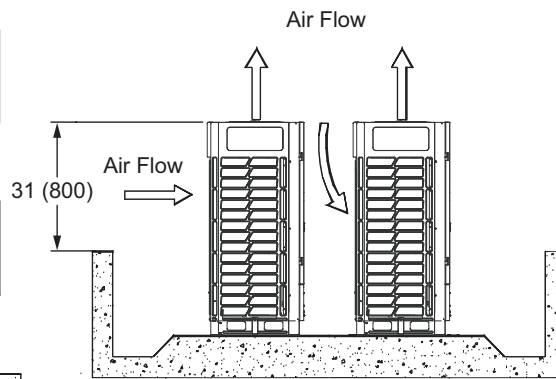
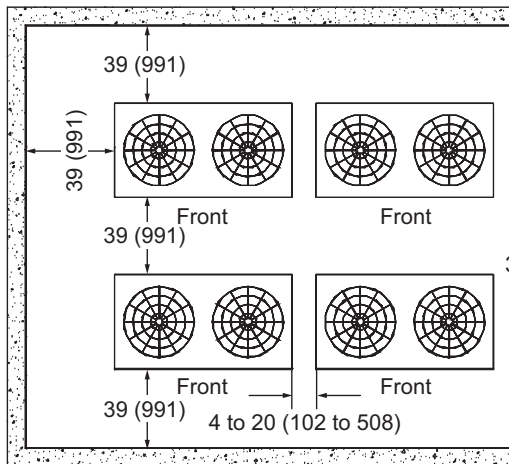


INSTALLATION CLEARANCES

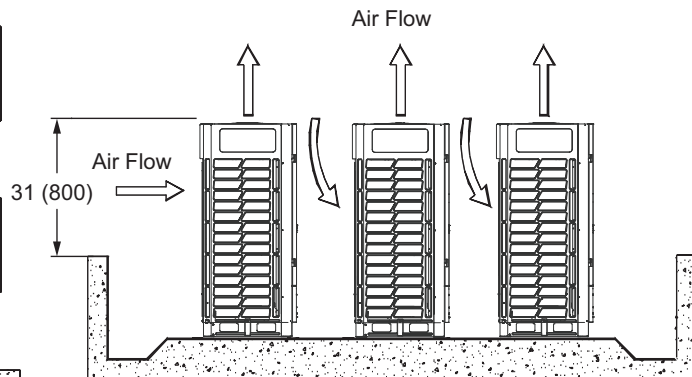
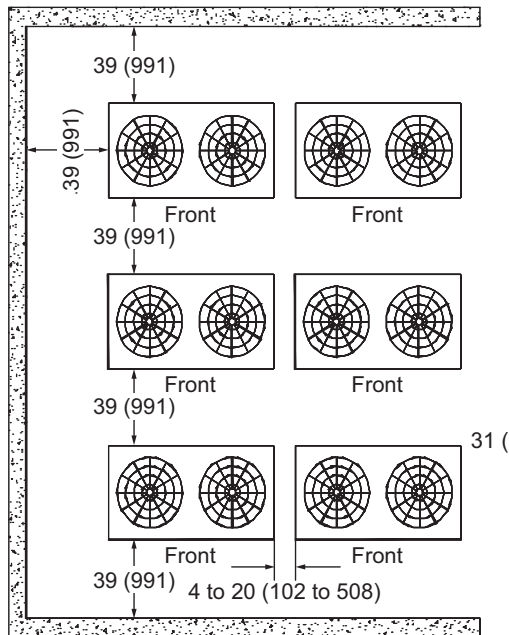
SINGLE ROW



TWO ROWS



THREE OR MORE ROWS



COOLING CAPACITY - SINGLE MODULE | VRB072H4

| Combination (%) | Outdoor Temperature °F (Dry Bulb) | Indoor Temperature - °F (Dry Bulb / Wet Bulb) | | | | | | | | | | | |
|-----------------|-----------------------------------|---|-------------|------------|-------------|------------|-------------|------------|-------------|------------|-------------|------------|-------------|
| | | 67 / 57 | | 71 / 60 | | 75 / 63 | | 80 / 67 | | 85 / 71 | | 90 / 75 | |
| | | Total Cap. | Power Input | Total Cap. | Power Input | Total Cap. | Power Input | Total Cap. | Power Input | Total Cap. | Power Input | Total Cap. | Power Input |
| | | MBH | kW | MBH | kW | MBH | kW | MBH | kW | MBH | kW | MBH | kW |
| 130% | -10 | 55.2 | 1.4 | 67.1 | 1.7 | 78.2 | 2.0 | 93.6 | 2.5 | 109.7 | 3.0 | 125.0 | 3.5 |
| | -5 | 55.2 | 1.5 | 67.1 | 1.8 | 78.2 | 2.2 | 93.6 | 2.7 | 109.7 | 3.2 | 125.0 | 3.7 |
| | 10 | 55.2 | 1.5 | 67.1 | 1.9 | 78.2 | 2.2 | 93.6 | 2.7 | 109.7 | 3.2 | 125.0 | 3.8 |
| | 15 | 55.2 | 1.6 | 67.1 | 1.9 | 78.2 | 2.3 | 93.6 | 2.8 | 109.7 | 3.3 | 122.8 | 3.8 |
| | 20 | 55.2 | 1.6 | 67.1 | 2.0 | 78.2 | 2.3 | 93.6 | 2.8 | 109.7 | 3.4 | 120.3 | 3.8 |
| | 25 | 55.2 | 1.6 | 67.1 | 2.0 | 78.2 | 2.4 | 93.6 | 2.9 | 109.7 | 3.5 | 117.6 | 3.8 |
| | 30 | 55.2 | 1.7 | 67.1 | 2.1 | 78.2 | 2.4 | 93.6 | 3.0 | 109.7 | 3.5 | 114.8 | 3.8 |
| | 35 | 55.2 | 1.7 | 67.1 | 2.1 | 78.2 | 2.5 | 93.6 | 3.0 | 109.7 | 3.6 | 112.2 | 3.8 |
| | 40 | 55.2 | 1.8 | 67.1 | 2.2 | 78.2 | 2.5 | 93.6 | 3.1 | 109.7 | 3.7 | 110.5 | 3.8 |
| | 45 | 55.2 | 1.8 | 67.1 | 2.2 | 78.2 | 2.6 | 93.6 | 3.2 | 109.7 | 3.8 | 109.9 | 3.9 |
| | 50 | 55.2 | 1.8 | 67.1 | 2.3 | 78.2 | 2.7 | 93.6 | 3.3 | 108.1 | 3.9 | 109.5 | 4.0 |
| | 55 | 55.2 | 1.9 | 67.1 | 2.3 | 78.2 | 2.8 | 93.6 | 3.4 | 107.9 | 4.0 | 109.4 | 4.1 |
| | 60 | 55.2 | 1.9 | 67.1 | 2.4 | 78.2 | 2.8 | 93.6 | 3.4 | 108.3 | 4.1 | 109.4 | 4.2 |
| | 65 | 55.2 | 2.0 | 67.1 | 2.5 | 78.2 | 2.9 | 93.6 | 3.5 | 107.5 | 4.2 | 109.6 | 4.3 |
| | 70 | 55.2 | 2.2 | 67.1 | 2.7 | 78.2 | 3.2 | 93.6 | 3.9 | 107.7 | 4.5 | 109.7 | 4.7 |
| | 75 | 55.2 | 2.4 | 67.1 | 2.9 | 78.2 | 3.5 | 93.6 | 4.2 | 107.8 | 5.0 | 109.8 | 5.2 |
| | 80 | 55.2 | 2.6 | 67.1 | 3.2 | 78.2 | 3.8 | 93.6 | 4.6 | 107.6 | 5.5 | 109.7 | 5.7 |
| | 85 | 55.2 | 2.9 | 67.1 | 3.5 | 78.2 | 4.2 | 93.6 | 5.1 | 107.0 | 6.0 | 109.0 | 6.2 |
| | 90 | 55.2 | 3.2 | 67.1 | 3.9 | 78.2 | 4.6 | 93.6 | 5.6 | 105.7 | 6.4 | 107.8 | 6.7 |
| | 95 | 55.2 | 3.4 | 67.1 | 4.2 | 78.2 | 5.0 | 93.6 | 6.1 | 98.1 | 6.5 | 99.6 | 6.8 |
| 100 | 55.2 | 3.7 | 67.1 | 4.6 | 78.2 | 5.4 | 93.6 | 6.6 | 94.6 | 6.8 | 96.4 | 7.1 | |
| 105 | 55.2 | 4.0 | 67.1 | 5.0 | 78.2 | 5.9 | 87.4 | 6.7 | 90.0 | 7.0 | 91.8 | 7.3 | |
| 110 | 55.2 | 4.3 | 67.1 | 5.3 | 78.2 | 6.3 | 81.4 | 6.7 | 83.8 | 7.0 | 85.4 | 7.3 | |
| 115 | 55.2 | 4.6 | 67.1 | 5.6 | 70.6 | 6.0 | 73.3 | 6.3 | 75.5 | 6.7 | 76.9 | 7.0 | |
| 118 | 55.2 | 4.7 | 62.6 | 5.4 | 64.8 | 5.7 | 67.3 | 6.0 | 69.3 | 6.3 | 70.6 | 6.6 | |
| 125 | 44.3 | 3.9 | 46.3 | 4.2 | 47.9 | 4.4 | 49.7 | 4.6 | 51.2 | 4.9 | 52.2 | 5.1 | |
| 120% | -10 | 50.9 | 1.3 | 61.9 | 1.6 | 72.2 | 1.9 | 86.4 | 2.3 | 101.2 | 2.7 | 115.4 | 3.2 |
| | -5 | 50.9 | 1.4 | 61.9 | 1.7 | 72.2 | 2.0 | 86.4 | 2.4 | 101.2 | 2.9 | 115.4 | 3.4 |
| | 10 | 50.9 | 1.4 | 61.9 | 1.7 | 72.2 | 2.0 | 86.4 | 2.5 | 101.2 | 3.0 | 115.4 | 3.4 |
| | 15 | 50.9 | 1.4 | 61.9 | 1.7 | 72.2 | 2.1 | 86.4 | 2.5 | 101.2 | 3.0 | 115.4 | 3.5 |
| | 20 | 50.9 | 1.5 | 61.9 | 1.8 | 72.2 | 2.1 | 86.4 | 2.6 | 101.2 | 3.1 | 115.4 | 3.6 |
| | 25 | 50.9 | 1.5 | 61.9 | 1.8 | 72.2 | 2.2 | 86.4 | 2.6 | 101.2 | 3.2 | 115.4 | 3.7 |
| | 30 | 50.9 | 1.5 | 61.9 | 1.9 | 72.2 | 2.2 | 86.4 | 2.7 | 101.2 | 3.2 | 112.7 | 3.7 |
| | 35 | 50.9 | 1.6 | 61.9 | 1.9 | 72.2 | 2.3 | 86.4 | 2.8 | 101.2 | 3.3 | 110.1 | 3.7 |
| | 40 | 50.9 | 1.6 | 61.9 | 2.0 | 72.2 | 2.3 | 86.4 | 2.8 | 101.2 | 3.4 | 108.4 | 3.7 |
| | 45 | 50.9 | 1.6 | 61.9 | 2.0 | 72.2 | 2.4 | 86.4 | 2.9 | 101.2 | 3.5 | 107.8 | 3.8 |
| | 50 | 50.9 | 1.7 | 61.9 | 2.1 | 72.2 | 2.4 | 86.4 | 3.0 | 101.2 | 3.6 | 107.4 | 3.9 |
| | 55 | 50.9 | 1.7 | 61.9 | 2.1 | 72.2 | 2.5 | 86.4 | 3.0 | 101.2 | 3.7 | 107.3 | 4.0 |
| | 60 | 50.9 | 1.8 | 61.9 | 2.2 | 72.2 | 2.6 | 86.4 | 3.1 | 101.2 | 3.8 | 107.3 | 4.1 |
| | 65 | 50.9 | 1.8 | 61.9 | 2.2 | 72.2 | 2.6 | 86.4 | 3.2 | 101.2 | 3.9 | 107.5 | 4.2 |
| | 70 | 50.9 | 2.0 | 61.9 | 2.4 | 72.2 | 2.9 | 86.4 | 3.5 | 101.2 | 4.2 | 107.7 | 4.6 |
| | 75 | 50.9 | 2.2 | 61.9 | 2.7 | 72.2 | 3.2 | 86.4 | 3.8 | 101.2 | 4.6 | 107.8 | 5.0 |
| | 80 | 50.9 | 2.4 | 61.9 | 2.9 | 72.2 | 3.5 | 86.4 | 4.2 | 101.2 | 5.1 | 107.6 | 5.5 |
| | 85 | 50.9 | 2.6 | 61.9 | 3.2 | 72.2 | 3.8 | 86.4 | 4.6 | 101.2 | 5.5 | 107.0 | 6.0 |
| | 90 | 50.9 | 2.9 | 61.9 | 3.5 | 72.2 | 4.2 | 86.4 | 5.1 | 101.2 | 6.1 | 105.7 | 6.5 |
| | 95 | 50.9 | 3.1 | 61.9 | 3.9 | 72.2 | 4.5 | 86.4 | 5.5 | 98.1 | 6.4 | 99.6 | 6.7 |
| 100 | 50.9 | 3.4 | 61.9 | 4.2 | 72.2 | 4.9 | 86.4 | 6.0 | 94.6 | 6.7 | 96.4 | 7.0 | |
| 105 | 50.9 | 3.7 | 61.9 | 4.5 | 72.2 | 5.3 | 86.4 | 6.5 | 90.0 | 6.9 | 91.8 | 7.2 | |
| 110 | 50.9 | 3.9 | 61.9 | 4.8 | 72.2 | 5.7 | 81.4 | 6.6 | 83.8 | 6.9 | 85.4 | 7.2 | |
| 115 | 50.9 | 4.2 | 61.9 | 5.1 | 70.6 | 5.9 | 73.3 | 6.2 | 75.5 | 6.6 | 76.9 | 6.9 | |
| 118 | 50.9 | 4.3 | 61.9 | 5.3 | 64.8 | 5.6 | 67.3 | 5.9 | 69.3 | 6.2 | 70.6 | 6.5 | |
| 125 | 44.3 | 3.9 | 46.3 | 4.1 | 47.9 | 4.3 | 49.7 | 4.5 | 51.2 | 4.8 | 52.2 | 5.0 | |

NOTE - Power Input = Compressor + Outdoor Fan Motor.
 MBH = 1000 BTUs per hour.

COOLING CAPACITY - SINGLE MODULE | VRB072H4

| Combination (%) | Outdoor Temperature °F (Dry Bulb) | Indoor Temperature - °F (Dry Bulb / Wet Bulb) | | | | | | | | | | | |
|-----------------|-----------------------------------|---|-------------|------------|-------------|------------|-------------|-------------|-------------|------------|-------------|------------|-------------|
| | | 67 / 57 | | 71 / 60 | | 75 / 63 | | 80 / 67 | | 85 / 71 | | 90 / 75 | |
| | | Total Cap. | Power Input | Total Cap. | Power Input | Total Cap. | Power Input | Total Cap. | Power Input | Total Cap. | Power Input | Total Cap. | Power Input |
| | | MBH | KW | MBH | KW | MBH | KW | MBH | KW | MBH | KW | MBH | KW |
| 110% | -10 | 46.7 | 1.2 | 56.7 | 1.4 | 66.2 | 1.7 | 79.2 | 2.0 | 92.8 | 2.5 | 105.8 | 2.9 |
| | -5 | 46.7 | 1.2 | 56.7 | 1.5 | 66.2 | 1.8 | 79.2 | 2.2 | 92.8 | 2.6 | 105.8 | 3.0 |
| | 10 | 46.7 | 1.3 | 56.7 | 1.5 | 66.2 | 1.8 | 79.2 | 2.2 | 92.8 | 2.7 | 105.8 | 3.1 |
| | 15 | 46.7 | 1.3 | 56.7 | 1.6 | 66.2 | 1.9 | 79.2 | 2.3 | 92.8 | 2.7 | 105.8 | 3.2 |
| | 20 | 46.7 | 1.3 | 56.7 | 1.6 | 66.2 | 1.9 | 79.2 | 2.3 | 92.8 | 2.8 | 105.8 | 3.2 |
| | 25 | 46.7 | 1.3 | 56.7 | 1.7 | 66.2 | 1.9 | 79.2 | 2.4 | 92.8 | 2.8 | 105.8 | 3.3 |
| | 30 | 46.7 | 1.4 | 56.7 | 1.7 | 66.2 | 2.0 | 79.2 | 2.4 | 92.8 | 2.9 | 105.8 | 3.4 |
| | 35 | 46.7 | 1.4 | 56.7 | 1.7 | 66.2 | 2.0 | 79.2 | 2.5 | 92.8 | 3.0 | 105.8 | 3.5 |
| | 40 | 46.7 | 1.4 | 56.7 | 1.8 | 66.2 | 2.1 | 79.2 | 2.5 | 92.8 | 3.1 | 105.8 | 3.6 |
| | 45 | 46.7 | 1.5 | 56.7 | 1.8 | 66.2 | 2.1 | 79.2 | 2.6 | 92.8 | 3.1 | 105.8 | 3.7 |
| | 50 | 46.7 | 1.5 | 56.7 | 1.9 | 66.2 | 2.2 | 79.2 | 2.7 | 92.8 | 3.2 | 105.4 | 3.7 |
| | 55 | 46.7 | 1.6 | 56.7 | 1.9 | 66.2 | 2.3 | 79.2 | 2.8 | 92.8 | 3.3 | 105.2 | 3.8 |
| | 60 | 46.7 | 1.6 | 56.7 | 2.0 | 66.2 | 2.3 | 79.2 | 2.8 | 92.8 | 3.4 | 105.3 | 3.9 |
| | 65 | 46.7 | 1.6 | 56.7 | 2.0 | 66.2 | 2.4 | 79.2 | 2.9 | 92.8 | 3.5 | 105.4 | 4.0 |
| | 70 | 46.7 | 1.8 | 56.7 | 2.2 | 66.2 | 2.6 | 79.2 | 3.2 | 92.8 | 3.8 | 105.6 | 4.4 |
| | 75 | 46.7 | 2.0 | 56.7 | 2.4 | 66.2 | 2.8 | 79.2 | 3.5 | 92.8 | 4.2 | 105.7 | 4.8 |
| | 80 | 46.7 | 2.2 | 56.7 | 2.6 | 66.2 | 3.1 | 79.2 | 3.8 | 92.8 | 4.6 | 105.5 | 5.3 |
| | 85 | 46.7 | 2.4 | 56.7 | 2.9 | 66.2 | 3.4 | 79.2 | 4.2 | 92.8 | 5.0 | 104.9 | 5.8 |
| | 90 | 46.7 | 2.6 | 56.7 | 3.2 | 66.2 | 3.8 | 79.2 | 4.6 | 92.8 | 5.5 | 103.7 | 6.3 |
| | 95 | 46.7 | 2.8 | 56.7 | 3.5 | 66.2 | 4.1 | 79.2 | 5.0 | 92.8 | 6.0 | 99.6 | 6.6 |
| 100 | 46.7 | 3.1 | 56.7 | 3.8 | 66.2 | 4.5 | 79.2 | 5.4 | 92.8 | 6.5 | 96.4 | 6.9 | |
| 105 | 46.7 | 3.3 | 56.7 | 4.1 | 66.2 | 4.8 | 79.2 | 5.9 | 90.0 | 6.8 | 91.8 | 7.1 | |
| 110 | 46.7 | 3.6 | 56.7 | 4.4 | 66.2 | 5.2 | 79.2 | 6.3 | 83.8 | 6.8 | 85.4 | 7.1 | |
| 115 | 46.7 | 3.8 | 56.7 | 4.6 | 66.2 | 5.5 | 73.3 | 6.2 | 75.5 | 6.5 | 76.9 | 6.8 | |
| 118 | 46.7 | 3.9 | 56.7 | 4.7 | 64.8 | 5.5 | 67.3 | 5.8 | 69.3 | 6.1 | 70.6 | 6.4 | |
| 125 | 44.3 | 3.8 | 46.3 | 4.0 | 47.9 | 4.2 | 49.7 | 4.5 | 51.2 | 4.7 | 52.2 | 4.9 | |
| 100% | -10 | 42.4 | 1.0 | 51.6 | 1.3 | 60.2 | 1.5 | 72.0 | 1.8 | 84.4 | 2.2 | 96.2 | 2.6 |
| | -5 | 42.4 | 1.1 | 51.6 | 1.4 | 60.2 | 1.6 | 72.0 | 1.9 | 84.4 | 2.3 | 96.2 | 2.7 |
| | 10 | 42.4 | 1.1 | 51.6 | 1.4 | 60.2 | 1.6 | 72.0 | 2.0 | 84.4 | 2.4 | 96.2 | 2.8 |
| | 15 | 42.4 | 1.2 | 51.6 | 1.4 | 60.2 | 1.7 | 72.0 | 2.0 | 84.4 | 2.4 | 96.2 | 2.8 |
| | 20 | 42.4 | 1.2 | 51.6 | 1.4 | 60.2 | 1.7 | 72.0 | 2.1 | 84.4 | 2.5 | 96.2 | 2.9 |
| | 25 | 42.4 | 1.2 | 51.6 | 1.5 | 60.2 | 1.7 | 72.0 | 2.1 | 84.4 | 2.5 | 96.2 | 3.0 |
| | 30 | 42.4 | 1.2 | 51.6 | 1.5 | 60.2 | 1.8 | 72.0 | 2.2 | 84.4 | 2.6 | 96.2 | 3.0 |
| | 35 | 42.4 | 1.3 | 51.6 | 1.5 | 60.2 | 1.8 | 72.0 | 2.2 | 84.4 | 2.7 | 96.2 | 3.1 |
| | 40 | 42.4 | 1.3 | 51.6 | 1.6 | 60.2 | 1.9 | 72.0 | 2.3 | 84.4 | 2.7 | 96.2 | 3.2 |
| | 45 | 42.4 | 1.3 | 51.6 | 1.6 | 60.2 | 1.9 | 72.0 | 2.3 | 84.4 | 2.8 | 96.2 | 3.3 |
| | 50 | 42.4 | 1.4 | 51.6 | 1.7 | 60.2 | 2.0 | 72.0 | 2.4 | 84.4 | 2.9 | 96.2 | 3.4 |
| | 55 | 42.4 | 1.4 | 51.6 | 1.7 | 60.2 | 2.0 | 72.0 | 2.5 | 84.4 | 3.0 | 96.2 | 3.4 |
| | 60 | 42.4 | 1.4 | 51.6 | 1.8 | 60.2 | 2.1 | 72.0 | 2.5 | 84.4 | 3.0 | 96.2 | 3.5 |
| | 65 | 42.4 | 1.5 | 51.6 | 1.8 | 60.2 | 2.1 | 72.0 | 2.6 | 84.4 | 3.1 | 96.2 | 3.6 |
| | 70 | 42.4 | 1.6 | 51.6 | 2.0 | 60.2 | 2.3 | 72.0 | 2.8 | 84.4 | 3.4 | 96.2 | 4.0 |
| | 75 | 42.4 | 1.8 | 51.6 | 2.2 | 60.2 | 2.5 | 72.0 | 3.1 | 84.4 | 3.7 | 96.2 | 4.3 |
| | 80 | 42.4 | 1.9 | 51.6 | 2.4 | 60.2 | 2.8 | 72.0 | 3.4 | 84.4 | 4.1 | 96.2 | 4.8 |
| | 85 | 42.4 | 2.1 | 51.6 | 2.6 | 60.2 | 3.1 | 72.0 | 3.7 | 84.4 | 4.5 | 96.2 | 5.2 |
| | 90 | 42.4 | 2.3 | 51.6 | 2.8 | 60.2 | 3.4 | 72.0 | 4.1 | 84.4 | 4.9 | 96.2 | 5.7 |
| | 95 | 42.4 | 2.5 | 51.6 | 3.1 | 60.2 | 3.7 | 72.0 | 4.5 | 84.4 | 5.4 | 96.2 | 6.3 |
| 100 | 42.4 | 2.8 | 51.6 | 3.4 | 60.2 | 4.0 | 72.0 | 4.9 | 84.4 | 5.8 | 96.2 | 6.8 | |
| 105 | 42.4 | 3.0 | 51.6 | 3.7 | 60.2 | 4.3 | 72.0 | 5.3 | 84.4 | 6.3 | 91.8 | 7.0 | |
| 110 | 42.4 | 3.2 | 51.6 | 3.9 | 60.2 | 4.6 | 72.0 | 5.6 | 83.8 | 6.7 | 85.4 | 7.0 | |
| 115 | 42.4 | 3.4 | 51.6 | 4.1 | 60.2 | 4.9 | 72.0 | 6.0 | 75.5 | 6.4 | 76.9 | 6.7 | |
| 118 | 42.4 | 3.5 | 51.6 | 4.3 | 60.2 | 5.0 | 67.3 | 5.7 | 69.3 | 6.0 | 70.6 | 6.3 | |
| 125 | 42.4 | 3.6 | 46.3 | 4.0 | 47.9 | 4.2 | 49.7 | 4.4 | 51.2 | 4.6 | 52.2 | 4.8 | |

NOTE - Power Input = Compressor + Outdoor Fan Motor.
 MBH = 1000 BTUs per hour.

COOLING CAPACITY - SINGLE MODULE | VRB072H4

| Combination (%) | Outdoor Temperature °F (Dry Bulb) | Indoor Temperature - °F (Dry Bulb / Wet Bulb) | | | | | | | | | | | |
|-----------------|-----------------------------------|---|-------------|------------|-------------|------------|-------------|------------|-------------|------------|-------------|------------|-------------|
| | | 67 / 57 | | 71 / 60 | | 75 / 63 | | 80 / 67 | | 85 / 71 | | 90 / 75 | |
| | | Total Cap. | Power Input | Total Cap. | Power Input | Total Cap. | Power Input | Total Cap. | Power Input | Total Cap. | Power Input | Total Cap. | Power Input |
| | | MBH | kW | MBH | kW | MBH | kW | MBH | kW | MBH | kW | MBH | kW |
| 90% | -10 | 38.2 | 0.9 | 46.4 | 1.1 | 54.2 | 1.3 | 64.8 | 1.6 | 75.9 | 1.9 | 86.6 | 2.3 |
| | -5 | 38.2 | 1.0 | 46.4 | 1.2 | 54.2 | 1.4 | 64.8 | 1.7 | 75.9 | 2.1 | 86.6 | 2.4 |
| | 10 | 38.2 | 1.0 | 46.4 | 1.2 | 54.2 | 1.4 | 64.8 | 1.8 | 75.9 | 2.1 | 86.6 | 2.5 |
| | 15 | 38.2 | 1.0 | 46.4 | 1.3 | 54.2 | 1.5 | 64.8 | 1.8 | 75.9 | 2.2 | 86.6 | 2.5 |
| | 20 | 38.2 | 1.0 | 46.4 | 1.3 | 54.2 | 1.5 | 64.8 | 1.8 | 75.9 | 2.2 | 86.6 | 2.6 |
| | 25 | 38.2 | 1.1 | 46.4 | 1.3 | 54.2 | 1.5 | 64.8 | 1.9 | 75.9 | 2.3 | 86.6 | 2.6 |
| | 30 | 38.2 | 1.1 | 46.4 | 1.3 | 54.2 | 1.6 | 64.8 | 1.9 | 75.9 | 2.3 | 86.6 | 2.7 |
| | 35 | 38.2 | 1.1 | 46.4 | 1.4 | 54.2 | 1.6 | 64.8 | 2.0 | 75.9 | 2.4 | 86.6 | 2.8 |
| | 40 | 38.2 | 1.1 | 46.4 | 1.4 | 54.2 | 1.7 | 64.8 | 2.0 | 75.9 | 2.4 | 86.6 | 2.8 |
| | 45 | 38.2 | 1.2 | 46.4 | 1.4 | 54.2 | 1.7 | 64.8 | 2.1 | 75.9 | 2.5 | 86.6 | 2.9 |
| | 50 | 38.2 | 1.2 | 46.4 | 1.5 | 54.2 | 1.7 | 64.8 | 2.1 | 75.9 | 2.5 | 86.6 | 3.0 |
| | 55 | 38.2 | 1.2 | 46.4 | 1.5 | 54.2 | 1.8 | 64.8 | 2.2 | 75.9 | 2.6 | 86.6 | 3.1 |
| | 60 | 38.2 | 1.3 | 46.4 | 1.6 | 54.2 | 1.8 | 64.8 | 2.2 | 75.9 | 2.7 | 86.6 | 3.1 |
| | 65 | 38.2 | 1.3 | 46.4 | 1.6 | 54.2 | 1.9 | 64.8 | 2.3 | 75.9 | 2.8 | 86.6 | 3.2 |
| | 70 | 38.2 | 1.4 | 46.4 | 1.7 | 54.2 | 2.1 | 64.8 | 2.5 | 75.9 | 3.0 | 86.6 | 3.5 |
| | 75 | 38.2 | 1.6 | 46.4 | 1.9 | 54.2 | 2.3 | 64.8 | 2.8 | 75.9 | 3.3 | 86.6 | 3.9 |
| | 80 | 38.2 | 1.7 | 46.4 | 2.1 | 54.2 | 2.5 | 64.8 | 3.0 | 75.9 | 3.6 | 86.6 | 4.2 |
| | 85 | 38.2 | 1.9 | 46.4 | 2.3 | 54.2 | 2.7 | 64.8 | 3.3 | 75.9 | 4.0 | 86.6 | 4.6 |
| | 90 | 38.2 | 2.1 | 46.4 | 2.5 | 54.2 | 3.0 | 64.8 | 3.6 | 75.9 | 4.4 | 86.6 | 5.1 |
| | 95 | 38.2 | 2.2 | 46.4 | 2.8 | 54.2 | 3.3 | 64.8 | 4.0 | 75.9 | 4.8 | 86.6 | 5.6 |
| 100 | 38.2 | 2.4 | 46.4 | 3.0 | 54.2 | 3.5 | 64.8 | 4.3 | 75.9 | 5.2 | 86.6 | 6.0 | |
| 105 | 38.2 | 2.6 | 46.4 | 3.2 | 54.2 | 3.8 | 64.8 | 4.7 | 75.9 | 5.6 | 86.6 | 6.5 | |
| 110 | 38.2 | 2.8 | 46.4 | 3.5 | 54.2 | 4.1 | 64.8 | 5.0 | 75.9 | 6.0 | 85.4 | 6.9 | |
| 115 | 38.2 | 3.0 | 46.4 | 3.7 | 54.2 | 4.3 | 64.8 | 5.3 | 75.5 | 6.3 | 76.9 | 6.6 | |
| 118 | 38.2 | 3.1 | 46.4 | 3.8 | 54.2 | 4.5 | 64.8 | 5.4 | 69.3 | 5.9 | 70.6 | 6.2 | |
| 125 | 38.2 | 3.2 | 46.3 | 3.9 | 47.9 | 4.1 | 49.7 | 4.3 | 51.2 | 4.6 | 52.2 | 4.8 | |
| 80% | -10 | 34.0 | 0.8 | 41.3 | 1.0 | 48.1 | 1.2 | 57.6 | 1.4 | 67.5 | 1.7 | 76.9 | 2.0 |
| | -5 | 34.0 | 0.9 | 41.3 | 1.1 | 48.1 | 1.2 | 57.6 | 1.5 | 67.5 | 1.8 | 76.9 | 2.1 |
| | 10 | 34.0 | 0.9 | 41.3 | 1.1 | 48.1 | 1.3 | 57.6 | 1.5 | 67.5 | 1.9 | 76.9 | 2.2 |
| | 15 | 34.0 | 0.9 | 41.3 | 1.1 | 48.1 | 1.3 | 57.6 | 1.6 | 67.5 | 1.9 | 76.9 | 2.2 |
| | 20 | 34.0 | 0.9 | 41.3 | 1.1 | 48.1 | 1.3 | 57.6 | 1.6 | 67.5 | 1.9 | 76.9 | 2.3 |
| | 25 | 34.0 | 0.9 | 41.3 | 1.1 | 48.1 | 1.4 | 57.6 | 1.7 | 67.5 | 2.0 | 76.9 | 2.3 |
| | 30 | 34.0 | 1.0 | 41.3 | 1.2 | 48.1 | 1.4 | 57.6 | 1.7 | 67.5 | 2.0 | 76.9 | 2.4 |
| | 35 | 34.0 | 1.0 | 41.3 | 1.2 | 48.1 | 1.4 | 57.6 | 1.7 | 67.5 | 2.1 | 76.9 | 2.4 |
| | 40 | 34.0 | 1.0 | 41.3 | 1.2 | 48.1 | 1.5 | 57.6 | 1.8 | 67.5 | 2.1 | 76.9 | 2.5 |
| | 45 | 34.0 | 1.0 | 41.3 | 1.3 | 48.1 | 1.5 | 57.6 | 1.8 | 67.5 | 2.2 | 76.9 | 2.5 |
| | 50 | 34.0 | 1.1 | 41.3 | 1.3 | 48.1 | 1.5 | 57.6 | 1.9 | 67.5 | 2.2 | 76.9 | 2.6 |
| | 55 | 34.0 | 1.1 | 41.3 | 1.3 | 48.1 | 1.6 | 57.6 | 1.9 | 67.5 | 2.3 | 76.9 | 2.7 |
| | 60 | 34.0 | 1.1 | 41.3 | 1.4 | 48.1 | 1.6 | 57.6 | 2.0 | 67.5 | 2.4 | 76.9 | 2.7 |
| | 65 | 34.0 | 1.1 | 41.3 | 1.4 | 48.1 | 1.7 | 57.6 | 2.0 | 67.5 | 2.4 | 76.9 | 2.8 |
| | 70 | 34.0 | 1.2 | 41.3 | 1.5 | 48.1 | 1.8 | 57.6 | 2.2 | 67.5 | 2.6 | 76.9 | 3.1 |
| | 75 | 34.0 | 1.4 | 41.3 | 1.7 | 48.1 | 2.0 | 57.6 | 2.4 | 67.5 | 2.9 | 76.9 | 3.4 |
| | 80 | 34.0 | 1.5 | 41.3 | 1.8 | 48.1 | 2.2 | 57.6 | 2.6 | 67.5 | 3.2 | 76.9 | 3.7 |
| | 85 | 34.0 | 1.6 | 41.3 | 2.0 | 48.1 | 2.4 | 57.6 | 2.9 | 67.5 | 3.5 | 76.9 | 4.1 |
| | 90 | 34.0 | 1.8 | 41.3 | 2.2 | 48.1 | 2.6 | 57.6 | 3.2 | 67.5 | 3.8 | 76.9 | 4.5 |
| | 95 | 34.0 | 2.0 | 41.3 | 2.4 | 48.1 | 2.9 | 57.6 | 3.5 | 67.5 | 4.2 | 76.9 | 4.9 |
| 100 | 34.0 | 2.1 | 41.3 | 2.6 | 48.1 | 3.1 | 57.6 | 3.8 | 67.5 | 4.5 | 76.9 | 5.3 | |
| 105 | 34.0 | 2.3 | 41.3 | 2.8 | 48.1 | 3.3 | 57.6 | 4.1 | 67.5 | 4.9 | 76.9 | 5.7 | |
| 110 | 34.0 | 2.5 | 41.3 | 3.0 | 48.1 | 3.6 | 57.6 | 4.4 | 67.5 | 5.2 | 76.9 | 6.1 | |
| 115 | 34.0 | 2.6 | 41.3 | 3.2 | 48.1 | 3.8 | 57.6 | 4.6 | 67.5 | 5.5 | 76.9 | 6.5 | |
| 118 | 34.0 | 2.7 | 41.3 | 3.3 | 48.1 | 3.9 | 57.6 | 4.8 | 67.5 | 5.7 | 70.6 | 6.1 | |
| 125 | 34.0 | 2.8 | 41.3 | 3.4 | 47.9 | 4.0 | 49.7 | 4.3 | 51.2 | 4.5 | 52.2 | 4.7 | |

NOTE - Power Input = Compressor + Outdoor Fan Motor.
 MBH = 1000 BTUs per hour.

COOLING CAPACITY - SINGLE MODULE | VRB072H4

| Combination (%) | Outdoor Temperature °F (Dry Bulb) | Indoor Temperature - °F (Dry Bulb / Wet Bulb) | | | | | | | | | | | |
|-----------------|-----------------------------------|---|-------------|------------|-------------|------------|-------------|------------|-------------|------------|-------------|------------|-------------|
| | | 67 / 57 | | 71 / 60 | | 75 / 63 | | 80 / 67 | | 85 / 71 | | 90 / 75 | |
| | | Total Cap. | Power Input | Total Cap. | Power Input | Total Cap. | Power Input | Total Cap. | Power Input | Total Cap. | Power Input | Total Cap. | Power Input |
| | | MBH | KW | MBH | KW | MBH | KW | MBH | KW | MBH | KW | MBH | KW |
| 70% | -10 | 29.7 | 0.7 | 36.1 | 0.9 | 42.1 | 1.0 | 50.4 | 1.2 | 59.1 | 1.5 | 67.3 | 1.7 |
| | -5 | 29.7 | 0.7 | 36.1 | 0.9 | 42.1 | 1.1 | 50.4 | 1.3 | 59.1 | 1.6 | 67.3 | 1.8 |
| | 10 | 29.7 | 0.8 | 36.1 | 0.9 | 42.1 | 1.1 | 50.4 | 1.3 | 59.1 | 1.6 | 67.3 | 1.9 |
| | 15 | 29.7 | 0.8 | 36.1 | 0.9 | 42.1 | 1.1 | 50.4 | 1.4 | 59.1 | 1.6 | 67.3 | 1.9 |
| | 20 | 29.7 | 0.8 | 36.1 | 1.0 | 42.1 | 1.1 | 50.4 | 1.4 | 59.1 | 1.7 | 67.3 | 1.9 |
| | 25 | 29.7 | 0.8 | 36.1 | 1.0 | 42.1 | 1.2 | 50.4 | 1.4 | 59.1 | 1.7 | 67.3 | 2.0 |
| | 30 | 29.7 | 0.8 | 36.1 | 1.0 | 42.1 | 1.2 | 50.4 | 1.5 | 59.1 | 1.7 | 67.3 | 2.0 |
| | 35 | 29.7 | 0.8 | 36.1 | 1.0 | 42.1 | 1.2 | 50.4 | 1.5 | 59.1 | 1.8 | 67.3 | 2.1 |
| | 40 | 29.7 | 0.9 | 36.1 | 1.1 | 42.1 | 1.3 | 50.4 | 1.5 | 59.1 | 1.8 | 67.3 | 2.1 |
| | 45 | 29.7 | 0.9 | 36.1 | 1.1 | 42.1 | 1.3 | 50.4 | 1.6 | 59.1 | 1.9 | 67.3 | 2.2 |
| | 50 | 29.7 | 0.9 | 36.1 | 1.1 | 42.1 | 1.3 | 50.4 | 1.6 | 59.1 | 1.9 | 67.3 | 2.2 |
| | 55 | 29.7 | 0.9 | 36.1 | 1.1 | 42.1 | 1.4 | 50.4 | 1.7 | 59.1 | 2.0 | 67.3 | 2.3 |
| | 60 | 29.7 | 1.0 | 36.1 | 1.2 | 42.1 | 1.4 | 50.4 | 1.7 | 59.1 | 2.0 | 67.3 | 2.4 |
| | 65 | 29.7 | 1.0 | 36.1 | 1.2 | 42.1 | 1.4 | 50.4 | 1.7 | 59.1 | 2.1 | 67.3 | 2.4 |
| | 70 | 29.7 | 1.1 | 36.1 | 1.3 | 42.1 | 1.6 | 50.4 | 1.9 | 59.1 | 2.3 | 67.3 | 2.7 |
| | 75 | 29.7 | 1.2 | 36.1 | 1.4 | 42.1 | 1.7 | 50.4 | 2.1 | 59.1 | 2.5 | 67.3 | 2.9 |
| | 80 | 29.7 | 1.3 | 36.1 | 1.6 | 42.1 | 1.9 | 50.4 | 2.3 | 59.1 | 2.7 | 67.3 | 3.2 |
| | 85 | 29.7 | 1.4 | 36.1 | 1.7 | 42.1 | 2.1 | 50.4 | 2.5 | 59.1 | 3.0 | 67.3 | 3.5 |
| | 90 | 29.7 | 1.6 | 36.1 | 1.9 | 42.1 | 2.3 | 50.4 | 2.7 | 59.1 | 3.3 | 67.3 | 3.8 |
| | 95 | 29.7 | 1.7 | 36.1 | 2.1 | 42.1 | 2.5 | 50.4 | 3.0 | 59.1 | 3.6 | 67.3 | 4.2 |
| 100 | 29.7 | 1.8 | 36.1 | 2.3 | 42.1 | 2.7 | 50.4 | 3.3 | 59.1 | 3.9 | 67.3 | 4.6 | |
| 105 | 29.7 | 2.0 | 36.1 | 2.4 | 42.1 | 2.9 | 50.4 | 3.5 | 59.1 | 4.2 | 67.3 | 4.9 | |
| 110 | 29.7 | 2.1 | 36.1 | 2.6 | 42.1 | 3.1 | 50.4 | 3.8 | 59.1 | 4.5 | 67.3 | 5.3 | |
| 115 | 29.7 | 2.3 | 36.1 | 2.8 | 42.1 | 3.3 | 50.4 | 4.0 | 59.1 | 4.8 | 67.3 | 5.6 | |
| 118 | 29.7 | 2.3 | 36.1 | 2.8 | 42.1 | 3.4 | 50.4 | 4.1 | 59.1 | 4.9 | 67.3 | 5.7 | |
| 125 | 29.7 | 2.4 | 36.1 | 3.0 | 42.1 | 3.5 | 49.7 | 4.2 | 51.2 | 4.4 | 52.2 | 4.6 | |
| 60% | -10 | 25.5 | 0.6 | 30.9 | 0.7 | 36.1 | 0.9 | 43.2 | 1.0 | 50.6 | 1.2 | 57.7 | 1.5 |
| | -5 | 25.5 | 0.6 | 30.9 | 0.8 | 36.1 | 0.9 | 43.2 | 1.1 | 50.6 | 1.3 | 57.7 | 1.5 |
| | 10 | 25.5 | 0.6 | 30.9 | 0.8 | 36.1 | 0.9 | 43.2 | 1.1 | 50.6 | 1.3 | 57.7 | 1.6 |
| | 15 | 25.5 | 0.7 | 30.9 | 0.8 | 36.1 | 0.9 | 43.2 | 1.2 | 50.6 | 1.4 | 57.7 | 1.6 |
| | 20 | 25.5 | 0.7 | 30.9 | 0.8 | 36.1 | 1.0 | 43.2 | 1.2 | 50.6 | 1.4 | 57.7 | 1.6 |
| | 25 | 25.5 | 0.7 | 30.9 | 0.8 | 36.1 | 1.0 | 43.2 | 1.2 | 50.6 | 1.4 | 57.7 | 1.7 |
| | 30 | 25.5 | 0.7 | 30.9 | 0.9 | 36.1 | 1.0 | 43.2 | 1.2 | 50.6 | 1.5 | 57.7 | 1.7 |
| | 35 | 25.5 | 0.7 | 30.9 | 0.9 | 36.1 | 1.0 | 43.2 | 1.3 | 50.6 | 1.5 | 57.7 | 1.8 |
| | 40 | 25.5 | 0.7 | 30.9 | 0.9 | 36.1 | 1.1 | 43.2 | 1.3 | 50.6 | 1.5 | 57.7 | 1.8 |
| | 45 | 25.5 | 0.7 | 30.9 | 0.9 | 36.1 | 1.1 | 43.2 | 1.3 | 50.6 | 1.6 | 57.7 | 1.9 |
| | 50 | 25.5 | 0.8 | 30.9 | 0.9 | 36.1 | 1.1 | 43.2 | 1.4 | 50.6 | 1.6 | 57.7 | 1.9 |
| | 55 | 25.5 | 0.8 | 30.9 | 1.0 | 36.1 | 1.1 | 43.2 | 1.4 | 50.6 | 1.7 | 57.7 | 2.0 |
| | 60 | 25.5 | 0.8 | 30.9 | 1.0 | 36.1 | 1.2 | 43.2 | 1.4 | 50.6 | 1.7 | 57.7 | 2.0 |
| | 65 | 25.5 | 0.8 | 30.9 | 1.0 | 36.1 | 1.2 | 43.2 | 1.5 | 50.6 | 1.8 | 57.7 | 2.1 |
| | 70 | 25.5 | 0.9 | 30.9 | 1.1 | 36.1 | 1.3 | 43.2 | 1.6 | 50.6 | 1.9 | 57.7 | 2.2 |
| | 75 | 25.5 | 1.0 | 30.9 | 1.2 | 36.1 | 1.4 | 43.2 | 1.8 | 50.6 | 2.1 | 57.7 | 2.5 |
| | 80 | 25.5 | 1.1 | 30.9 | 1.3 | 36.1 | 1.6 | 43.2 | 1.9 | 50.6 | 2.3 | 57.7 | 2.7 |
| | 85 | 25.5 | 1.2 | 30.9 | 1.5 | 36.1 | 1.7 | 43.2 | 2.1 | 50.6 | 2.5 | 57.7 | 3.0 |
| | 90 | 25.5 | 1.3 | 30.9 | 1.6 | 36.1 | 1.9 | 43.2 | 2.3 | 50.6 | 2.8 | 57.7 | 3.2 |
| | 95 | 25.5 | 1.4 | 30.9 | 1.8 | 36.1 | 2.1 | 43.2 | 2.5 | 50.6 | 3.0 | 57.7 | 3.5 |
| 100 | 25.5 | 1.6 | 30.9 | 1.9 | 36.1 | 2.3 | 43.2 | 2.8 | 50.6 | 3.3 | 57.7 | 3.9 | |
| 105 | 25.5 | 1.7 | 30.9 | 2.1 | 36.1 | 2.4 | 43.2 | 3.0 | 50.6 | 3.6 | 57.7 | 4.2 | |
| 110 | 25.5 | 1.8 | 30.9 | 2.2 | 36.1 | 2.6 | 43.2 | 3.2 | 50.6 | 3.8 | 57.7 | 4.5 | |
| 115 | 25.5 | 1.9 | 30.9 | 2.3 | 36.1 | 2.8 | 43.2 | 3.4 | 50.6 | 4.0 | 57.7 | 4.7 | |
| 118 | 25.5 | 2.0 | 30.9 | 2.4 | 36.1 | 2.8 | 43.2 | 3.5 | 50.6 | 4.1 | 57.7 | 4.8 | |
| 125 | 25.5 | 2.0 | 30.9 | 2.5 | 36.1 | 3.0 | 43.2 | 3.6 | 50.6 | 4.3 | 52.2 | 4.6 | |

NOTE - Power Input = Compressor + Outdoor Fan Motor.
 MBH = 1000 BTUs per hour.

COOLING CAPACITY - SINGLE MODULE | VRB072H4

| Combination (%) | Outdoor Temperature °F (Dry Bulb) | Indoor Temperature - °F (Dry Bulb / Wet Bulb) | | | | | | | | | | | |
|-----------------|-----------------------------------|---|-------------|------------|-------------|------------|-------------|------------|-------------|------------|-------------|------------|-------------|
| | | 67 / 57 | | 71 / 60 | | 75 / 63 | | 80 / 67 | | 85 / 71 | | 90 / 75 | |
| | | Total Cap. | Power Input | Total Cap. | Power Input | Total Cap. | Power Input | Total Cap. | Power Input | Total Cap. | Power Input | Total Cap. | Power Input |
| | | MBH | kW | MBH | kW | MBH | kW | MBH | kW | MBH | kW | MBH | kW |
| 50% | -10 | 21.2 | 0.5 | 25.8 | 0.6 | 30.1 | 0.7 | 36.0 | 0.9 | 42.2 | 1.0 | 48.1 | 1.2 |
| | -5 | 21.2 | 0.5 | 25.8 | 0.6 | 30.1 | 0.7 | 36.0 | 0.9 | 42.2 | 1.1 | 48.1 | 1.3 |
| | 10 | 21.2 | 0.5 | 25.8 | 0.6 | 30.1 | 0.8 | 36.0 | 0.9 | 42.2 | 1.1 | 48.1 | 1.3 |
| | 15 | 21.2 | 0.5 | 25.8 | 0.7 | 30.1 | 0.8 | 36.0 | 0.9 | 42.2 | 1.1 | 48.1 | 1.3 |
| | 20 | 21.2 | 0.5 | 25.8 | 0.7 | 30.1 | 0.8 | 36.0 | 1.0 | 42.2 | 1.2 | 48.1 | 1.4 |
| | 25 | 21.2 | 0.6 | 25.8 | 0.7 | 30.1 | 0.8 | 36.0 | 1.0 | 42.2 | 1.2 | 48.1 | 1.4 |
| | 30 | 21.2 | 0.6 | 25.8 | 0.7 | 30.1 | 0.8 | 36.0 | 1.0 | 42.2 | 1.2 | 48.1 | 1.4 |
| | 35 | 21.2 | 0.6 | 25.8 | 0.7 | 30.1 | 0.9 | 36.0 | 1.0 | 42.2 | 1.2 | 48.1 | 1.4 |
| | 40 | 21.2 | 0.6 | 25.8 | 0.7 | 30.1 | 0.9 | 36.0 | 1.1 | 42.2 | 1.3 | 48.1 | 1.5 |
| | 45 | 21.2 | 0.6 | 25.8 | 0.8 | 30.1 | 0.9 | 36.0 | 1.1 | 42.2 | 1.3 | 48.1 | 1.5 |
| | 50 | 21.2 | 0.6 | 25.8 | 0.8 | 30.1 | 0.9 | 36.0 | 1.1 | 42.2 | 1.3 | 48.1 | 1.6 |
| | 55 | 21.2 | 0.6 | 25.8 | 0.8 | 30.1 | 0.9 | 36.0 | 1.1 | 42.2 | 1.4 | 48.1 | 1.6 |
| | 60 | 21.2 | 0.7 | 25.8 | 0.8 | 30.1 | 1.0 | 36.0 | 1.2 | 42.2 | 1.4 | 48.1 | 1.6 |
| | 65 | 21.2 | 0.7 | 25.8 | 0.8 | 30.1 | 1.0 | 36.0 | 1.2 | 42.2 | 1.4 | 48.1 | 1.7 |
| | 70 | 21.2 | 0.7 | 25.8 | 0.9 | 30.1 | 1.1 | 36.0 | 1.3 | 42.2 | 1.6 | 48.1 | 1.8 |
| | 75 | 21.2 | 0.8 | 25.8 | 1.0 | 30.1 | 1.2 | 36.0 | 1.4 | 42.2 | 1.7 | 48.1 | 2.0 |
| | 80 | 21.2 | 0.9 | 25.8 | 1.1 | 30.1 | 1.3 | 36.0 | 1.6 | 42.2 | 1.9 | 48.1 | 2.2 |
| | 85 | 21.2 | 1.0 | 25.8 | 1.2 | 30.1 | 1.4 | 36.0 | 1.7 | 42.2 | 2.1 | 48.1 | 2.4 |
| 90 | 21.2 | 1.1 | 25.8 | 1.3 | 30.1 | 1.6 | 36.0 | 1.9 | 42.2 | 2.3 | 48.1 | 2.7 | |
| 95 | 21.2 | 1.2 | 25.8 | 1.4 | 30.1 | 1.7 | 36.0 | 2.1 | 42.2 | 2.5 | 48.1 | 2.9 | |
| 100 | 21.2 | 1.3 | 25.8 | 1.6 | 30.1 | 1.9 | 36.0 | 2.3 | 42.2 | 2.7 | 48.1 | 3.2 | |
| 105 | 21.2 | 1.4 | 25.8 | 1.7 | 30.1 | 2.0 | 36.0 | 2.4 | 42.2 | 2.9 | 48.1 | 3.4 | |
| 110 | 21.2 | 1.5 | 25.8 | 1.8 | 30.1 | 2.1 | 36.0 | 2.6 | 42.2 | 3.1 | 48.1 | 3.7 | |
| 115 | 21.2 | 1.6 | 25.8 | 1.9 | 30.1 | 2.3 | 36.0 | 2.8 | 42.2 | 3.3 | 48.1 | 3.9 | |
| 118 | 21.2 | 1.6 | 25.8 | 2.0 | 30.1 | 2.3 | 36.0 | 2.8 | 42.2 | 3.4 | 48.1 | 4.0 | |
| 125 | 21.2 | 1.7 | 25.8 | 2.1 | 30.1 | 2.4 | 36.0 | 3.0 | 42.2 | 3.6 | 48.1 | 4.2 | |

NOTE - Power Input = Compressor + Outdoor Fan Motor.
 MBH = 1000 BTUs per hour.

HEATING CAPACITY - SINGLE MODULE | VRB072H4

| Combination (%) | Outdoor Temperature (°F) | | Indoor Temperature - °F Dry Bulb | | | | | | | | | | | | | | | | | |
|-----------------|--------------------------|----------|----------------------------------|-------------|------------|-------------|------------|-------------|------------|-------------|------------|-------------|------------|-------------|--|--|--|--|--|--|
| | | | 61 | | 64 | | 67 | | 70 | | 73 | | 75 | | | | | | | |
| | | | Total Cap. | Power Input | Total Cap. | Power Input | Total Cap. | Power Input | Total Cap. | Power Input | Total Cap. | Power Input | Total Cap. | Power Input | | | | | | |
| | MBH | kW | MBH | kW | MBH | kW | MBH | kW | MBH | kW | MBH | kW | | | | | | | | |
| 130% | Dry Bulb | Wet Bulb | | | | | | | | | | | | | | | | | | |
| | -13 | -14 | 54.4 | 5.2 | 54.2 | 5.3 | 54.1 | 5.4 | 54.0 | 5.6 | 53.8 | 5.8 | 53.7 | 5.9 | | | | | | |
| | -8 | -9 | 59.1 | 5.6 | 59.0 | 5.8 | 58.9 | 5.9 | 58.7 | 6.1 | 58.6 | 6.3 | 58.5 | 6.4 | | | | | | |
| | -3 | -4 | 65.2 | 6.1 | 65.1 | 6.3 | 64.9 | 6.5 | 64.7 | 6.7 | 64.6 | 6.9 | 64.5 | 7.0 | | | | | | |
| | 2 | 1 | 72.1 | 6.7 | 71.9 | 6.9 | 71.8 | 7.1 | 71.6 | 7.3 | 71.4 | 7.5 | 71.3 | 7.6 | | | | | | |
| | 7 | 6 | 79.4 | 7.3 | 79.2 | 7.4 | 79.0 | 7.6 | 78.8 | 7.8 | 78.6 | 8.1 | 78.5 | 8.2 | | | | | | |
| | 12 | 10 | 86.6 | 7.7 | 86.4 | 7.9 | 86.2 | 8.1 | 85.9 | 8.3 | 85.7 | 8.6 | 85.6 | 8.7 | | | | | | |
| | 17 | 15 | 93.5 | 8.1 | 93.2 | 8.3 | 93.0 | 8.5 | 92.8 | 8.7 | 92.5 | 9.0 | 92.4 | 9.1 | | | | | | |
| | 22 | 20 | 99.7 | 8.4 | 99.5 | 8.6 | 99.2 | 8.8 | 99.0 | 9.0 | 98.6 | 9.2 | 94.3 | 9.0 | | | | | | |
| | 27 | 24 | 105.2 | 8.5 | 104.9 | 8.7 | 104.7 | 8.9 | 104.4 | 9.1 | 98.6 | 8.8 | 94.3 | 8.6 | | | | | | |
| | 32 | 29 | 109.7 | 8.5 | 109.4 | 8.7 | 109.2 | 8.9 | 105.3 | 8.8 | 98.6 | 8.4 | 94.3 | 7.9 | | | | | | |
| | 37 | 34 | 113.3 | 8.4 | 113.0 | 8.6 | 112.0 | 8.7 | 105.3 | 8.2 | 98.6 | 7.5 | 94.3 | 7.1 | | | | | | |
| | 42 | 38 | 115.9 | 8.2 | 115.7 | 8.4 | 112.0 | 8.0 | 105.3 | 7.4 | 98.6 | 6.8 | 94.3 | 6.4 | | | | | | |
| | 47 | 43 | 121.4 | 8.1 | 118.2 | 7.8 | 112.0 | 7.3 | 105.3 | 6.7 | 98.6 | 6.2 | 94.3 | 5.9 | | | | | | |
| | 52 | 47 | 124.9 | 7.6 | 118.2 | 7.1 | 112.0 | 6.6 | 105.3 | 6.2 | 98.6 | 5.7 | 94.3 | 5.5 | | | | | | |
| | 57 | 52 | 124.9 | 6.9 | 118.2 | 6.5 | 112.0 | 6.1 | 105.3 | 5.7 | 98.6 | 5.3 | 94.3 | 5.1 | | | | | | |
| | 62 | 56 | 124.9 | 6.4 | 118.2 | 6.0 | 112.0 | 5.7 | 105.3 | 5.3 | 98.6 | 5.0 | 94.3 | 4.7 | | | | | | |
| | 67 | 61 | 124.9 | 6.0 | 118.2 | 5.6 | 112.0 | 5.3 | 105.3 | 5.0 | 98.6 | 4.6 | 94.3 | 4.4 | | | | | | |
| | 72 | 66 | 124.9 | 5.6 | 118.2 | 5.3 | 112.0 | 5.0 | 105.3 | 4.7 | 98.6 | 4.4 | 94.3 | 4.2 | | | | | | |
| | 75 | 69 | 124.9 | 5.4 | 118.2 | 5.1 | 112.0 | 4.8 | 105.3 | 4.5 | 98.6 | 4.2 | 94.3 | 4.0 | | | | | | |
| 80 | 74 | 124.9 | 5.0 | 118.2 | 4.8 | 112.0 | 4.5 | 105.3 | 4.3 | 98.6 | 4.0 | 94.3 | 3.8 | | | | | | | |
| 120% | -13 | -14 | 54.2 | 5.1 | 54.0 | 5.2 | 53.9 | 5.3 | 53.8 | 5.5 | 53.6 | 5.7 | 53.5 | 5.8 | | | | | | |
| | -8 | -9 | 58.9 | 5.5 | 58.8 | 5.7 | 58.6 | 5.8 | 58.5 | 6.0 | 58.3 | 6.1 | 58.2 | 6.3 | | | | | | |
| | -3 | -4 | 65.0 | 6.0 | 64.8 | 6.2 | 64.7 | 6.4 | 64.5 | 6.5 | 64.3 | 6.7 | 64.2 | 6.9 | | | | | | |
| | 2 | 1 | 71.8 | 6.6 | 71.7 | 6.8 | 71.5 | 6.9 | 71.3 | 7.1 | 71.1 | 7.3 | 71.0 | 7.5 | | | | | | |
| | 7 | 6 | 79.1 | 7.1 | 78.9 | 7.3 | 78.7 | 7.5 | 78.5 | 7.7 | 78.3 | 7.9 | 78.1 | 8.1 | | | | | | |
| | 12 | 10 | 86.3 | 7.6 | 86.0 | 7.8 | 85.8 | 8.0 | 85.6 | 8.2 | 85.4 | 8.4 | 85.2 | 8.6 | | | | | | |
| | 17 | 15 | 93.1 | 8.0 | 92.9 | 8.1 | 92.6 | 8.3 | 92.4 | 8.6 | 91.1 | 8.7 | 87.1 | 8.5 | | | | | | |
| | 22 | 20 | 99.3 | 8.2 | 99.1 | 8.4 | 98.8 | 8.6 | 97.2 | 8.7 | 91.1 | 8.4 | 87.1 | 8.1 | | | | | | |
| | 27 | 24 | 104.8 | 8.3 | 104.5 | 8.5 | 103.3 | 8.6 | 97.2 | 8.3 | 91.1 | 8.0 | 87.1 | 7.8 | | | | | | |
| | 32 | 29 | 109.3 | 8.3 | 109.0 | 8.5 | 103.3 | 8.3 | 97.2 | 8.0 | 91.1 | 7.6 | 87.1 | 7.1 | | | | | | |
| | 37 | 34 | 112.8 | 8.2 | 109.1 | 8.1 | 103.3 | 7.9 | 97.2 | 7.4 | 91.1 | 6.8 | 87.1 | 6.4 | | | | | | |
| | 42 | 38 | 115.3 | 8.0 | 109.1 | 7.8 | 103.3 | 7.3 | 97.2 | 6.7 | 91.1 | 6.2 | 87.1 | 5.9 | | | | | | |
| | 47 | 43 | 115.3 | 7.5 | 109.1 | 7.1 | 103.3 | 6.6 | 97.2 | 6.1 | 91.1 | 5.7 | 87.1 | 5.4 | | | | | | |
| | 52 | 47 | 115.3 | 6.9 | 109.1 | 6.4 | 103.3 | 6.0 | 97.2 | 5.6 | 91.1 | 5.2 | 87.1 | 5.0 | | | | | | |
| | 57 | 52 | 115.3 | 6.3 | 109.1 | 5.9 | 103.3 | 5.6 | 97.2 | 5.2 | 91.1 | 4.8 | 87.1 | 4.6 | | | | | | |
| | 62 | 56 | 115.3 | 5.8 | 109.1 | 5.5 | 103.3 | 5.2 | 97.2 | 4.8 | 91.1 | 4.5 | 87.1 | 4.3 | | | | | | |
| | 67 | 61 | 115.3 | 5.4 | 109.1 | 5.1 | 103.3 | 4.8 | 97.2 | 4.5 | 91.1 | 4.2 | 87.1 | 4.0 | | | | | | |
| | 72 | 66 | 115.3 | 5.1 | 109.1 | 4.8 | 103.3 | 4.5 | 97.2 | 4.2 | 91.1 | 4.0 | 87.1 | 3.8 | | | | | | |
| | 75 | 69 | 115.3 | 4.9 | 109.1 | 4.6 | 103.3 | 4.4 | 97.2 | 4.1 | 91.1 | 3.8 | 87.1 | 3.7 | | | | | | |
| | 80 | 74 | 115.3 | 4.6 | 109.1 | 4.3 | 103.3 | 4.1 | 97.2 | 3.9 | 91.1 | 3.6 | 87.1 | 3.5 | | | | | | |
| 110% | -13 | -14 | 53.9 | 5.0 | 53.8 | 5.1 | 53.7 | 5.2 | 53.5 | 5.4 | 53.4 | 5.5 | 53.3 | 5.7 | | | | | | |
| | -8 | -9 | 58.7 | 5.4 | 58.5 | 5.5 | 58.4 | 5.7 | 58.2 | 5.9 | 58.1 | 6.0 | 58.0 | 6.1 | | | | | | |
| | -3 | -4 | 64.7 | 5.9 | 64.6 | 6.1 | 64.4 | 6.2 | 64.2 | 6.4 | 64.1 | 6.6 | 64.0 | 6.7 | | | | | | |
| | 2 | 1 | 71.6 | 6.5 | 71.4 | 6.6 | 71.2 | 6.8 | 71.0 | 7.0 | 70.8 | 7.2 | 70.7 | 7.3 | | | | | | |
| | 7 | 6 | 78.8 | 7.0 | 78.6 | 7.2 | 78.4 | 7.3 | 78.2 | 7.5 | 78.0 | 7.8 | 77.8 | 7.9 | | | | | | |
| | 12 | 10 | 85.9 | 7.4 | 85.7 | 7.6 | 85.5 | 7.8 | 85.3 | 8.0 | 83.5 | 8.1 | 79.8 | 7.9 | | | | | | |
| | 17 | 15 | 92.7 | 7.8 | 92.5 | 8.0 | 92.3 | 8.2 | 89.1 | 8.1 | 83.5 | 7.8 | 79.8 | 7.6 | | | | | | |
| | 22 | 20 | 98.9 | 8.0 | 98.7 | 8.2 | 94.7 | 8.1 | 89.1 | 7.8 | 83.5 | 7.5 | 79.8 | 7.4 | | | | | | |
| | 27 | 24 | 104.3 | 8.2 | 100.0 | 8.0 | 94.7 | 7.8 | 89.1 | 7.5 | 83.5 | 7.2 | 79.8 | 7.0 | | | | | | |
| | 32 | 29 | 105.7 | 7.9 | 100.0 | 7.7 | 94.7 | 7.5 | 89.1 | 7.2 | 83.5 | 6.9 | 79.8 | 6.5 | | | | | | |
| | 37 | 34 | 105.7 | 7.6 | 100.0 | 7.4 | 94.7 | 7.1 | 89.1 | 6.7 | 83.5 | 6.2 | 79.8 | 5.8 | | | | | | |
| | 42 | 38 | 105.7 | 7.2 | 100.0 | 7.0 | 94.7 | 6.6 | 89.1 | 6.1 | 83.5 | 5.6 | 79.8 | 5.3 | | | | | | |
| | 47 | 43 | 105.7 | 6.8 | 100.0 | 6.4 | 94.7 | 6.0 | 89.1 | 5.5 | 83.5 | 5.1 | 79.8 | 4.8 | | | | | | |
| | 52 | 47 | 105.7 | 6.2 | 100.0 | 5.8 | 94.7 | 5.5 | 89.1 | 5.1 | 83.5 | 4.7 | 79.8 | 4.5 | | | | | | |
| | 57 | 52 | 105.7 | 5.7 | 100.0 | 5.4 | 94.7 | 5.0 | 89.1 | 4.7 | 83.5 | 4.4 | 79.8 | 4.2 | | | | | | |
| | 62 | 56 | 105.7 | 5.3 | 100.0 | 5.0 | 94.7 | 4.7 | 89.1 | 4.4 | 83.5 | 4.1 | 79.8 | 3.9 | | | | | | |
| | 67 | 61 | 105.7 | 4.9 | 100.0 | 4.6 | 94.7 | 4.4 | 89.1 | 4.1 | 83.5 | 3.8 | 79.8 | 3.6 | | | | | | |
| | 72 | 66 | 105.7 | 4.6 | 100.0 | 4.3 | 94.7 | 4.1 | 89.1 | 3.8 | 83.5 | 3.6 | 79.8 | 3.4 | | | | | | |
| | 75 | 69 | 105.7 | 4.4 | 100.0 | 4.2 | 94.7 | 3.9 | 89.1 | 3.7 | 83.5 | 3.5 | 79.8 | 3.3 | | | | | | |
| | 80 | 74 | 105.7 | 4.1 | 100.0 | 3.9 | 94.7 | 3.7 | 89.1 | 3.5 | 83.5 | 3.3 | 79.8 | 3.1 | | | | | | |

NOTE - Power Input = Compressor + Outdoor Fan Motor.
 MBH = 1000 BTUs per hour.

HEATING CAPACITY - SINGLE MODULE | VRB072H4

| Combination (%) | Outdoor Temperature (°F) | | Indoor Temperature - °F Dry Bulb | | | | | | | | | | | |
|-----------------|--------------------------|----------|----------------------------------|----------------|----------------|----------------|----------------|----------------|----------------|----------------|----------------|----------------|----------------|----------------|
| | | | 61 | | 64 | | 67 | | 70 | | 73 | | 75 | |
| | Dry Bulb | Wet Bulb | Total Cap. MBH | Power Input kW | Total Cap. MBH | Power Input kW | Total Cap. MBH | Power Input kW | Total Cap. MBH | Power Input kW | Total Cap. MBH | Power Input kW | Total Cap. MBH | Power Input kW |
| 100% | -13 | -14 | 53.7 | 4.9 | 53.6 | 5.0 | 53.5 | 5.1 | 53.3 | 5.3 | 53.2 | 5.4 | 53.1 | 5.5 |
| | -8 | -9 | 58.4 | 5.3 | 58.3 | 5.4 | 58.2 | 5.6 | 58.0 | 5.7 | 57.9 | 5.9 | 57.8 | 6.0 |
| | -3 | -4 | 64.5 | 5.8 | 64.3 | 6.0 | 64.1 | 6.1 | 64.0 | 6.3 | 63.8 | 6.5 | 63.7 | 6.6 |
| | 2 | 1 | 71.3 | 6.3 | 71.1 | 6.5 | 70.9 | 6.7 | 70.7 | 6.9 | 70.6 | 7.1 | 70.4 | 7.2 |
| | 7 | 6 | 78.4 | 6.8 | 78.2 | 7.0 | 78.1 | 7.2 | 77.9 | 7.4 | 75.9 | 7.4 | 72.6 | 7.3 |
| | 12 | 10 | 85.6 | 7.3 | 85.4 | 7.5 | 85.1 | 7.7 | 81.0 | 7.5 | 75.9 | 7.2 | 72.6 | 7.1 |
| | 17 | 15 | 92.4 | 7.7 | 90.9 | 7.7 | 86.1 | 7.5 | 81.0 | 7.3 | 75.9 | 7.0 | 72.6 | 6.8 |
| | 22 | 20 | 96.1 | 7.7 | 90.9 | 7.5 | 86.1 | 7.3 | 81.0 | 7.0 | 75.9 | 6.8 | 72.6 | 6.6 |
| | 27 | 24 | 96.1 | 7.4 | 90.9 | 7.2 | 86.1 | 7.0 | 81.0 | 6.7 | 75.9 | 6.5 | 72.6 | 6.3 |
| | 32 | 29 | 96.1 | 7.1 | 90.9 | 6.9 | 86.1 | 6.7 | 81.0 | 6.4 | 75.9 | 6.1 | 72.6 | 5.8 |
| | 37 | 34 | 96.1 | 6.8 | 90.9 | 6.6 | 86.1 | 6.4 | 81.0 | 6.0 | 75.9 | 5.5 | 72.6 | 5.2 |
| | 42 | 38 | 96.1 | 6.5 | 90.9 | 6.3 | 86.1 | 5.9 | 81.0 | 5.4 | 75.9 | 5.0 | 72.6 | 4.7 |
| | 47 | 43 | 96.1 | 6.1 | 90.9 | 5.7 | 86.1 | 5.3 | 81.0 | 4.9 | 75.9 | 4.6 | 72.6 | 4.3 |
| | 52 | 47 | 96.1 | 5.6 | 90.9 | 5.2 | 86.1 | 4.9 | 81.0 | 4.5 | 75.9 | 4.2 | 72.6 | 4.0 |
| | 57 | 52 | 96.1 | 5.1 | 90.9 | 4.8 | 86.1 | 4.5 | 81.0 | 4.2 | 75.9 | 3.9 | 72.6 | 3.7 |
| | 62 | 56 | 96.1 | 4.7 | 90.9 | 4.4 | 86.1 | 4.2 | 81.0 | 3.9 | 75.9 | 3.6 | 72.6 | 3.5 |
| | 67 | 61 | 96.1 | 4.4 | 90.9 | 4.1 | 86.1 | 3.9 | 81.0 | 3.7 | 75.9 | 3.4 | 72.6 | 3.3 |
| | 72 | 66 | 96.1 | 4.1 | 90.9 | 3.9 | 86.1 | 3.7 | 81.0 | 3.4 | 75.9 | 3.2 | 72.6 | 3.1 |
| 75 | 69 | 96.1 | 3.9 | 90.9 | 3.7 | 86.1 | 3.5 | 81.0 | 3.3 | 75.9 | 3.1 | 72.6 | 3.0 | |
| 80 | 74 | 96.1 | 3.7 | 90.9 | 3.5 | 86.1 | 3.3 | 81.0 | 3.1 | 75.9 | 2.9 | 72.6 | 2.8 | |
| 90% | -13 | -14 | 53.5 | 4.8 | 53.4 | 4.9 | 53.3 | 5.0 | 53.1 | 5.2 | 53.0 | 5.3 | 52.9 | 5.4 |
| | -8 | -9 | 58.2 | 5.2 | 58.1 | 5.3 | 57.9 | 5.5 | 57.8 | 5.6 | 57.6 | 5.8 | 57.5 | 5.9 |
| | -3 | -4 | 64.2 | 5.7 | 64.0 | 5.8 | 63.9 | 6.0 | 63.7 | 6.2 | 63.6 | 6.4 | 63.4 | 6.5 |
| | 2 | 1 | 71.0 | 6.2 | 70.8 | 6.4 | 70.6 | 6.5 | 70.5 | 6.7 | 68.3 | 6.7 | 65.3 | 6.6 |
| | 7 | 6 | 78.1 | 6.7 | 77.9 | 6.9 | 77.5 | 7.0 | 72.9 | 6.8 | 68.3 | 6.6 | 65.3 | 6.4 |
| | 12 | 10 | 85.2 | 7.2 | 81.8 | 7.1 | 77.5 | 6.9 | 72.9 | 6.7 | 68.3 | 6.4 | 65.3 | 6.3 |
| | 17 | 15 | 86.5 | 7.1 | 81.8 | 6.9 | 77.5 | 6.7 | 72.9 | 6.5 | 68.3 | 6.2 | 65.3 | 6.1 |
| | 22 | 20 | 86.5 | 6.8 | 81.8 | 6.6 | 77.5 | 6.4 | 72.9 | 6.2 | 68.3 | 6.0 | 65.3 | 5.8 |
| | 27 | 24 | 86.5 | 6.6 | 81.8 | 6.4 | 77.5 | 6.2 | 72.9 | 6.0 | 68.3 | 5.7 | 65.3 | 5.6 |
| | 32 | 29 | 86.5 | 6.3 | 81.8 | 6.1 | 77.5 | 5.9 | 72.9 | 5.7 | 68.3 | 5.4 | 65.3 | 5.1 |
| | 37 | 34 | 86.5 | 6.0 | 81.8 | 5.8 | 77.5 | 5.6 | 72.9 | 5.3 | 68.3 | 4.9 | 65.3 | 4.6 |
| | 42 | 38 | 86.5 | 5.7 | 81.8 | 5.6 | 77.5 | 5.2 | 72.9 | 4.8 | 68.3 | 4.4 | 65.3 | 4.2 |
| | 47 | 43 | 86.5 | 5.4 | 81.8 | 5.1 | 77.5 | 4.7 | 72.9 | 4.4 | 68.3 | 4.1 | 65.3 | 3.8 |
| | 52 | 47 | 86.5 | 4.9 | 81.8 | 4.6 | 77.5 | 4.3 | 72.9 | 4.0 | 68.3 | 3.7 | 65.3 | 3.6 |
| | 57 | 52 | 86.5 | 4.5 | 81.8 | 4.3 | 77.5 | 4.0 | 72.9 | 3.7 | 68.3 | 3.5 | 65.3 | 3.3 |
| | 62 | 56 | 86.5 | 4.2 | 81.8 | 3.9 | 77.5 | 3.7 | 72.9 | 3.5 | 68.3 | 3.2 | 65.3 | 3.1 |
| | 67 | 61 | 86.5 | 3.9 | 81.8 | 3.7 | 77.5 | 3.5 | 72.9 | 3.2 | 68.3 | 3.0 | 65.3 | 2.9 |
| | 72 | 66 | 86.5 | 3.6 | 81.8 | 3.4 | 77.5 | 3.2 | 72.9 | 3.0 | 68.3 | 2.8 | 65.3 | 2.7 |
| 75 | 69 | 86.5 | 3.5 | 81.8 | 3.3 | 77.5 | 3.1 | 72.9 | 2.9 | 68.3 | 2.7 | 65.3 | 2.6 | |
| 80 | 74 | 86.5 | 3.3 | 81.8 | 3.1 | 77.5 | 2.9 | 72.9 | 2.8 | 68.3 | 2.6 | 65.3 | 2.5 | |
| 80% | -13 | -14 | 53.3 | 4.7 | 53.2 | 4.8 | 53.0 | 4.9 | 52.9 | 5.1 | 52.8 | 5.2 | 52.7 | 5.3 |
| | -8 | -9 | 58.0 | 5.1 | 57.8 | 5.2 | 57.7 | 5.4 | 57.5 | 5.5 | 57.4 | 5.7 | 57.3 | 5.8 |
| | -3 | -4 | 63.9 | 5.6 | 63.8 | 5.7 | 63.6 | 5.9 | 63.5 | 6.1 | 60.7 | 6.0 | 58.1 | 5.8 |
| | 2 | 1 | 70.7 | 6.1 | 70.5 | 6.3 | 68.9 | 6.3 | 64.8 | 6.1 | 60.7 | 5.9 | 58.1 | 5.8 |
| | 7 | 6 | 76.8 | 6.5 | 72.7 | 6.3 | 68.9 | 6.2 | 64.8 | 6.0 | 60.7 | 5.8 | 58.1 | 5.6 |
| | 12 | 10 | 76.8 | 6.4 | 72.7 | 6.2 | 68.9 | 6.0 | 64.8 | 5.8 | 60.7 | 5.6 | 58.1 | 5.5 |
| | 17 | 15 | 76.8 | 6.2 | 72.7 | 6.0 | 68.9 | 5.8 | 64.8 | 5.7 | 60.7 | 5.5 | 58.1 | 5.3 |
| | 22 | 20 | 76.8 | 6.0 | 72.7 | 5.8 | 68.9 | 5.6 | 64.8 | 5.4 | 60.7 | 5.3 | 58.1 | 5.1 |
| | 27 | 24 | 76.8 | 5.8 | 72.7 | 5.6 | 68.9 | 5.4 | 64.8 | 5.2 | 60.7 | 5.0 | 58.1 | 4.9 |
| | 32 | 29 | 76.8 | 5.5 | 72.7 | 5.4 | 68.9 | 5.2 | 64.8 | 5.0 | 60.7 | 4.8 | 58.1 | 4.5 |
| | 37 | 34 | 76.8 | 5.3 | 72.7 | 5.1 | 68.9 | 4.9 | 64.8 | 4.7 | 60.7 | 4.3 | 58.1 | 4.0 |
| | 42 | 38 | 76.8 | 5.0 | 72.7 | 4.9 | 68.9 | 4.6 | 64.8 | 4.2 | 60.7 | 3.9 | 58.1 | 3.7 |
| | 47 | 43 | 76.8 | 4.7 | 72.7 | 4.4 | 68.9 | 4.1 | 64.8 | 3.8 | 60.7 | 3.6 | 58.1 | 3.4 |
| | 52 | 47 | 76.8 | 4.3 | 72.7 | 4.0 | 68.9 | 3.8 | 64.8 | 3.5 | 60.7 | 3.3 | 58.1 | 3.1 |
| | 57 | 52 | 76.8 | 4.0 | 72.7 | 3.7 | 68.9 | 3.5 | 64.8 | 3.3 | 60.7 | 3.0 | 58.1 | 2.9 |
| | 62 | 56 | 76.8 | 3.7 | 72.7 | 3.4 | 68.9 | 3.2 | 64.8 | 3.0 | 60.7 | 2.8 | 58.1 | 2.7 |
| | 67 | 61 | 76.8 | 3.4 | 72.7 | 3.2 | 68.9 | 3.0 | 64.8 | 2.8 | 60.7 | 2.7 | 58.1 | 2.5 |
| | 72 | 66 | 76.8 | 3.2 | 72.7 | 3.0 | 68.9 | 2.8 | 64.8 | 2.7 | 60.7 | 2.5 | 58.1 | 2.4 |
| 75 | 69 | 76.8 | 3.1 | 72.7 | 2.9 | 68.9 | 2.7 | 64.8 | 2.6 | 60.7 | 2.4 | 58.1 | 2.3 | |
| 80 | 74 | 76.8 | 2.9 | 72.7 | 2.7 | 68.9 | 2.6 | 64.8 | 2.4 | 60.7 | 2.3 | 58.1 | 2.2 | |

NOTE - Power Input = Compressor + Outdoor Fan Motor.
 MBH = 1000 BTUs per hour.

HEATING CAPACITY - SINGLE MODULE | VRB072H4

| Combination (%) | Outdoor Temperature (°F) | | Indoor Temperature - °F Dry Bulb | | | | | | | | | | | |
|-----------------|--------------------------|----------|----------------------------------|----------------|----------------|----------------|----------------|----------------|----------------|----------------|----------------|----------------|----------------|----------------|
| | | | 61 | | 64 | | 67 | | 70 | | 73 | | 75 | |
| | Dry Bulb | Wet Bulb | Total Cap. MBH | Power Input kW | Total Cap. MBH | Power Input kW | Total Cap. MBH | Power Input kW | Total Cap. MBH | Power Input kW | Total Cap. MBH | Power Input kW | Total Cap. MBH | Power Input kW |
| 70% | -13 | -14 | 53.1 | 4.6 | 53.0 | 4.7 | 52.8 | 4.9 | 52.7 | 5.0 | 52.6 | 5.1 | 50.8 | 5.1 |
| | -8 | -9 | 57.7 | 5.0 | 57.6 | 5.1 | 57.5 | 5.3 | 56.7 | 5.4 | 53.1 | 5.2 | 50.8 | 5.1 |
| | -3 | -4 | 63.7 | 5.5 | 63.5 | 5.6 | 60.3 | 5.5 | 56.7 | 5.3 | 53.1 | 5.2 | 50.8 | 5.0 |
| | 2 | 1 | 67.2 | 5.7 | 63.7 | 5.6 | 60.3 | 5.4 | 56.7 | 5.3 | 53.1 | 5.1 | 50.8 | 5.0 |
| | 7 | 6 | 67.2 | 5.6 | 63.7 | 5.5 | 60.3 | 5.3 | 56.7 | 5.2 | 53.1 | 5.0 | 50.8 | 4.9 |
| | 12 | 10 | 67.2 | 5.5 | 63.7 | 5.3 | 60.3 | 5.2 | 56.7 | 5.0 | 53.1 | 4.9 | 50.8 | 4.7 |
| | 17 | 15 | 67.2 | 5.3 | 63.7 | 5.2 | 60.3 | 5.0 | 56.7 | 4.9 | 53.1 | 4.7 | 50.8 | 4.6 |
| | 22 | 20 | 67.2 | 5.2 | 63.7 | 5.0 | 60.3 | 4.9 | 56.7 | 4.7 | 53.1 | 4.5 | 50.8 | 4.4 |
| | 27 | 24 | 67.2 | 5.0 | 63.7 | 4.8 | 60.3 | 4.7 | 56.7 | 4.5 | 53.1 | 4.3 | 50.8 | 4.2 |
| | 32 | 29 | 67.2 | 4.8 | 63.7 | 4.6 | 60.3 | 4.5 | 56.7 | 4.3 | 53.1 | 4.1 | 50.8 | 3.9 |
| | 37 | 34 | 67.2 | 4.6 | 63.7 | 4.4 | 60.3 | 4.3 | 56.7 | 4.0 | 53.1 | 3.7 | 50.8 | 3.5 |
| | 42 | 38 | 67.2 | 4.3 | 63.7 | 4.2 | 60.3 | 3.9 | 56.7 | 3.6 | 53.1 | 3.3 | 50.8 | 3.2 |
| | 47 | 43 | 67.2 | 4.1 | 63.7 | 3.8 | 60.3 | 3.6 | 56.7 | 3.3 | 53.1 | 3.1 | 50.8 | 2.9 |
| | 52 | 47 | 67.2 | 3.7 | 63.7 | 3.5 | 60.3 | 3.3 | 56.7 | 3.0 | 53.1 | 2.8 | 50.8 | 2.7 |
| | 57 | 52 | 67.2 | 3.4 | 63.7 | 3.2 | 60.3 | 3.0 | 56.7 | 2.8 | 53.1 | 2.6 | 50.8 | 2.5 |
| | 62 | 56 | 67.2 | 3.2 | 63.7 | 3.0 | 60.3 | 2.8 | 56.7 | 2.6 | 53.1 | 2.4 | 50.8 | 2.3 |
| | 67 | 61 | 67.2 | 2.9 | 63.7 | 2.8 | 60.3 | 2.6 | 56.7 | 2.5 | 53.1 | 2.3 | 50.8 | 2.2 |
| | 72 | 66 | 67.2 | 2.7 | 63.7 | 2.6 | 60.3 | 2.5 | 56.7 | 2.3 | 53.1 | 2.2 | 50.8 | 2.1 |
| 75 | 69 | 67.2 | 2.6 | 63.7 | 2.5 | 60.3 | 2.4 | 56.7 | 2.2 | 53.1 | 2.1 | 50.8 | 2.0 | |
| 80 | 74 | 67.2 | 2.5 | 63.7 | 2.4 | 60.3 | 2.2 | 56.7 | 2.1 | 53.1 | 2.0 | 50.8 | 1.9 | |
| 60% | -13 | -14 | 52.9 | 4.5 | 52.7 | 4.6 | 51.7 | 4.7 | 48.6 | 4.5 | 45.5 | 4.4 | 43.5 | 4.3 |
| | -8 | -9 | 57.5 | 4.9 | 54.6 | 4.8 | 51.7 | 4.7 | 48.6 | 4.5 | 45.5 | 4.4 | 43.5 | 4.3 |
| | -3 | -4 | 57.6 | 4.9 | 54.6 | 4.8 | 51.7 | 4.6 | 48.6 | 4.5 | 45.5 | 4.4 | 43.5 | 4.3 |
| | 2 | 1 | 57.6 | 4.8 | 54.6 | 4.7 | 51.7 | 4.6 | 48.6 | 4.4 | 45.5 | 4.3 | 43.5 | 4.2 |
| | 7 | 6 | 57.6 | 4.7 | 54.6 | 4.6 | 51.7 | 4.5 | 48.6 | 4.4 | 45.5 | 4.2 | 43.5 | 4.1 |
| | 12 | 10 | 57.6 | 4.6 | 54.6 | 4.5 | 51.7 | 4.4 | 48.6 | 4.3 | 45.5 | 4.1 | 43.5 | 4.0 |
| | 17 | 15 | 57.6 | 4.5 | 54.6 | 4.4 | 51.7 | 4.3 | 48.6 | 4.1 | 45.5 | 4.0 | 43.5 | 3.9 |
| | 22 | 20 | 57.6 | 4.4 | 54.6 | 4.2 | 51.7 | 4.1 | 48.6 | 4.0 | 45.5 | 3.8 | 43.5 | 3.7 |
| | 27 | 24 | 57.6 | 4.2 | 54.6 | 4.1 | 51.7 | 3.9 | 48.6 | 3.8 | 45.5 | 3.7 | 43.5 | 3.6 |
| | 32 | 29 | 57.6 | 4.0 | 54.6 | 3.9 | 51.7 | 3.8 | 48.6 | 3.6 | 45.5 | 3.5 | 43.5 | 3.3 |
| | 37 | 34 | 57.6 | 3.8 | 54.6 | 3.7 | 51.7 | 3.6 | 48.6 | 3.4 | 45.5 | 3.1 | 43.5 | 2.9 |
| | 42 | 38 | 57.6 | 3.7 | 54.6 | 3.5 | 51.7 | 3.3 | 48.6 | 3.1 | 45.5 | 2.8 | 43.5 | 2.7 |
| | 47 | 43 | 57.6 | 3.5 | 54.6 | 3.2 | 51.7 | 3.0 | 48.6 | 2.8 | 45.5 | 2.6 | 43.5 | 2.5 |
| | 52 | 47 | 57.6 | 3.1 | 54.6 | 2.9 | 51.7 | 2.8 | 48.6 | 2.6 | 45.5 | 2.4 | 43.5 | 2.3 |
| | 57 | 52 | 57.6 | 2.9 | 54.6 | 2.7 | 51.7 | 2.6 | 48.6 | 2.4 | 45.5 | 2.2 | 43.5 | 2.1 |
| | 62 | 56 | 57.6 | 2.7 | 54.6 | 2.5 | 51.7 | 2.4 | 48.6 | 2.2 | 45.5 | 2.1 | 43.5 | 2.0 |
| | 67 | 61 | 57.6 | 2.5 | 54.6 | 2.3 | 51.7 | 2.2 | 48.6 | 2.1 | 45.5 | 1.9 | 43.5 | 1.8 |
| | 72 | 66 | 57.6 | 2.3 | 54.6 | 2.2 | 51.7 | 2.1 | 48.6 | 1.9 | 45.5 | 1.8 | 43.5 | 1.7 |
| 75 | 69 | 57.6 | 2.2 | 54.6 | 2.1 | 51.7 | 2.0 | 48.6 | 1.9 | 45.5 | 1.8 | 43.5 | 1.7 | |
| 80 | 74 | 57.6 | 2.1 | 54.6 | 2.0 | 51.7 | 1.9 | 48.6 | 1.8 | 45.5 | 1.7 | 43.5 | 1.6 | |
| 50% | -13 | -14 | 48.0 | 4.0 | 45.5 | 3.9 | 43.1 | 3.8 | 40.5 | 3.7 | 37.9 | 3.6 | 36.3 | 3.5 |
| | -8 | -9 | 48.0 | 4.0 | 45.5 | 3.9 | 43.1 | 3.8 | 40.5 | 3.7 | 37.9 | 3.6 | 36.3 | 3.5 |
| | -3 | -4 | 48.0 | 4.0 | 45.5 | 3.9 | 43.1 | 3.8 | 40.5 | 3.7 | 37.9 | 3.6 | 36.3 | 3.5 |
| | 2 | 1 | 48.0 | 4.0 | 45.5 | 3.9 | 43.1 | 3.8 | 40.5 | 3.7 | 37.9 | 3.5 | 36.3 | 3.5 |
| | 7 | 6 | 48.0 | 3.9 | 45.5 | 3.8 | 43.1 | 3.7 | 40.5 | 3.6 | 37.9 | 3.5 | 36.3 | 3.4 |
| | 12 | 10 | 48.0 | 3.8 | 45.5 | 3.7 | 43.1 | 3.6 | 40.5 | 3.5 | 37.9 | 3.4 | 36.3 | 3.3 |
| | 17 | 15 | 48.0 | 3.7 | 45.5 | 3.6 | 43.1 | 3.5 | 40.5 | 3.4 | 37.9 | 3.3 | 36.3 | 3.2 |
| | 22 | 20 | 48.0 | 3.6 | 45.5 | 3.5 | 43.1 | 3.4 | 40.5 | 3.3 | 37.9 | 3.1 | 36.3 | 3.1 |
| | 27 | 24 | 48.0 | 3.4 | 45.5 | 3.3 | 43.1 | 3.2 | 40.5 | 3.1 | 37.9 | 3.0 | 36.3 | 2.9 |
| | 32 | 29 | 48.0 | 3.3 | 45.5 | 3.2 | 43.1 | 3.1 | 40.5 | 3.0 | 37.9 | 2.9 | 36.3 | 2.7 |
| | 37 | 34 | 48.0 | 3.2 | 45.5 | 3.1 | 43.1 | 3.0 | 40.5 | 2.8 | 37.9 | 2.6 | 36.3 | 2.4 |
| | 42 | 38 | 48.0 | 3.0 | 45.5 | 2.9 | 43.1 | 2.7 | 40.5 | 2.5 | 37.9 | 2.3 | 36.3 | 2.2 |
| | 47 | 43 | 48.0 | 2.8 | 45.5 | 2.7 | 43.1 | 2.5 | 40.5 | 2.3 | 37.9 | 2.1 | 36.3 | 2.0 |
| | 52 | 47 | 48.0 | 2.6 | 45.5 | 2.4 | 43.1 | 2.3 | 40.5 | 2.1 | 37.9 | 2.0 | 36.3 | 1.9 |
| | 57 | 52 | 48.0 | 2.4 | 45.5 | 2.2 | 43.1 | 2.1 | 40.5 | 2.0 | 37.9 | 1.8 | 36.3 | 1.7 |
| | 62 | 56 | 48.0 | 2.2 | 45.5 | 2.1 | 43.1 | 1.9 | 40.5 | 1.8 | 37.9 | 1.7 | 36.3 | 1.6 |
| | 67 | 61 | 48.0 | 2.0 | 45.5 | 1.9 | 43.1 | 1.8 | 40.5 | 1.7 | 37.9 | 1.6 | 36.3 | 1.5 |
| | 72 | 66 | 48.0 | 1.9 | 45.5 | 1.8 | 43.1 | 1.7 | 40.5 | 1.6 | 37.9 | 1.5 | 36.3 | 1.4 |
| 75 | 69 | 48.0 | 1.8 | 45.5 | 1.7 | 43.1 | 1.6 | 40.5 | 1.5 | 37.9 | 1.4 | 36.3 | 1.4 | |
| 80 | 74 | 48.0 | 1.7 | 45.5 | 1.6 | 43.1 | 1.5 | 40.5 | 1.5 | 37.9 | 1.4 | 36.3 | 1.3 | |

NOTE - Power Input = Compressor + Outdoor Fan Motor.
 MBH = 1000 BTUs per hour.

COOLING CAPACITY - SINGLE MODULE | VRB096H4

| Combination (%) | Outdoor Temperature °F (Dry Bulb) | Indoor Temperature - °F (Dry Bulb / Wet Bulb) | | | | | | | | | | | |
|-----------------|-----------------------------------|---|-------------|------------|-------------|------------|-------------|------------|-------------|------------|-------------|------------|-------------|
| | | 67 / 57 | | 71 / 60 | | 75 / 63 | | 80 / 67 | | 85 / 71 | | 90 / 75 | |
| | | Total Cap. | Power Input | Total Cap. | Power Input | Total Cap. | Power Input | Total Cap. | Power Input | Total Cap. | Power Input | Total Cap. | Power Input |
| | | MBH | kW | MBH | kW | MBH | kW | MBH | kW | MBH | kW | MBH | kW |
| 130% | -10 | 73.6 | 2.0 | 89.4 | 2.5 | 104.3 | 2.9 | 124.8 | 3.6 | 146.2 | 4.3 | 166.7 | 5.0 |
| | -5 | 73.6 | 2.1 | 89.4 | 2.6 | 104.3 | 3.1 | 124.8 | 3.8 | 146.2 | 4.5 | 159.2 | 5.1 |
| | 10 | 73.6 | 2.2 | 89.4 | 2.7 | 104.3 | 3.2 | 124.8 | 3.9 | 146.2 | 4.6 | 156.4 | 5.1 |
| | 15 | 73.6 | 2.2 | 89.4 | 2.7 | 104.3 | 3.2 | 124.8 | 4.0 | 146.2 | 4.7 | 153.5 | 5.1 |
| | 20 | 73.6 | 2.3 | 89.4 | 2.8 | 104.3 | 3.3 | 124.8 | 4.0 | 146.2 | 4.8 | 150.5 | 5.1 |
| | 25 | 73.6 | 2.3 | 89.4 | 2.9 | 104.3 | 3.4 | 124.8 | 4.1 | 146.2 | 4.9 | 147.4 | 5.1 |
| | 30 | 73.6 | 2.4 | 89.4 | 2.9 | 104.3 | 3.5 | 124.8 | 4.2 | 142.6 | 4.9 | 144.5 | 5.1 |
| | 35 | 73.6 | 2.4 | 89.4 | 3.0 | 104.3 | 3.6 | 124.8 | 4.3 | 139.9 | 5.0 | 141.8 | 5.1 |
| | 40 | 73.6 | 2.5 | 89.4 | 3.1 | 104.3 | 3.6 | 124.8 | 4.4 | 138.4 | 5.0 | 140.3 | 5.2 |
| | 45 | 73.6 | 2.6 | 89.4 | 3.2 | 104.3 | 3.7 | 124.8 | 4.5 | 138.2 | 5.1 | 140.1 | 5.3 |
| | 50 | 73.6 | 2.6 | 89.4 | 3.2 | 104.3 | 3.8 | 124.8 | 4.7 | 138.2 | 5.3 | 140.1 | 5.5 |
| | 55 | 73.6 | 2.7 | 89.4 | 3.3 | 104.3 | 3.9 | 124.8 | 4.8 | 138.4 | 5.4 | 140.3 | 5.6 |
| | 60 | 73.6 | 2.8 | 89.4 | 3.4 | 104.3 | 4.0 | 124.8 | 4.9 | 139.1 | 5.6 | 140.5 | 5.8 |
| | 65 | 73.6 | 2.9 | 89.4 | 3.5 | 104.3 | 4.1 | 124.8 | 5.1 | 138.1 | 5.7 | 140.8 | 6.0 |
| | 70 | 73.6 | 3.1 | 89.4 | 3.8 | 104.3 | 4.5 | 124.8 | 5.5 | 138.2 | 6.2 | 140.8 | 6.5 |
| | 75 | 73.6 | 3.4 | 89.4 | 4.2 | 104.3 | 4.9 | 124.8 | 6.0 | 137.9 | 6.8 | 140.5 | 7.1 |
| | 80 | 73.6 | 3.7 | 89.4 | 4.6 | 104.3 | 5.4 | 124.8 | 6.6 | 137.1 | 7.4 | 139.7 | 7.8 |
| | 85 | 73.6 | 4.1 | 89.4 | 5.1 | 104.3 | 6.0 | 124.8 | 7.3 | 135.6 | 8.1 | 138.2 | 8.4 |
| | 90 | 73.6 | 4.5 | 89.4 | 5.5 | 104.3 | 6.5 | 124.8 | 8.0 | 133.1 | 8.7 | 135.6 | 9.1 |
| | 95 | 73.6 | 4.9 | 89.4 | 6.0 | 104.3 | 7.1 | 120.4 | 8.4 | 122.4 | 8.7 | 124.3 | 9.1 |
| 100 | 73.6 | 5.3 | 89.4 | 6.6 | 104.3 | 7.8 | 115.0 | 8.7 | 116.9 | 9.1 | 119.1 | 9.4 | |
| 105 | 73.6 | 5.8 | 89.4 | 7.1 | 104.3 | 8.4 | 106.8 | 8.7 | 110.0 | 9.2 | 112.1 | 9.6 | |
| 110 | 73.6 | 6.2 | 89.4 | 7.6 | 94.4 | 8.1 | 98.0 | 8.6 | 101.0 | 9.0 | 102.9 | 9.4 | |
| 115 | 73.6 | 6.5 | 80.8 | 7.3 | 83.6 | 7.6 | 86.8 | 8.0 | 89.4 | 8.5 | 91.1 | 8.8 | |
| 118 | 70.1 | 6.4 | 73.2 | 6.8 | 75.7 | 7.1 | 78.6 | 7.5 | 81.0 | 7.9 | 82.5 | 8.2 | |
| 125 | 49.4 | 4.7 | 51.6 | 5.0 | 53.3 | 5.2 | 55.4 | 5.5 | 57.0 | 5.8 | 58.1 | 6.0 | |
| 120% | -10 | 67.9 | 1.8 | 82.5 | 2.2 | 96.3 | 2.7 | 115.2 | 3.2 | 135.0 | 3.9 | 153.9 | 4.5 |
| | -5 | 67.9 | 1.9 | 82.5 | 2.4 | 96.3 | 2.8 | 115.2 | 3.4 | 135.0 | 4.1 | 153.9 | 4.8 |
| | 10 | 67.9 | 2.0 | 82.5 | 2.4 | 96.3 | 2.9 | 115.2 | 3.5 | 135.0 | 4.2 | 153.8 | 4.9 |
| | 15 | 67.9 | 2.0 | 82.5 | 2.5 | 96.3 | 2.9 | 115.2 | 3.6 | 135.0 | 4.3 | 150.8 | 4.9 |
| | 20 | 67.9 | 2.1 | 82.5 | 2.5 | 96.3 | 3.0 | 115.2 | 3.7 | 135.0 | 4.4 | 147.8 | 4.9 |
| | 25 | 67.9 | 2.1 | 82.5 | 2.6 | 96.3 | 3.1 | 115.2 | 3.8 | 135.0 | 4.5 | 144.8 | 4.9 |
| | 30 | 67.9 | 2.2 | 82.5 | 2.7 | 96.3 | 3.2 | 115.2 | 3.8 | 135.0 | 4.6 | 141.9 | 5.0 |
| | 35 | 67.9 | 2.2 | 82.5 | 2.7 | 96.3 | 3.2 | 115.2 | 3.9 | 135.0 | 4.7 | 139.2 | 5.0 |
| | 40 | 67.9 | 2.3 | 82.5 | 2.8 | 96.3 | 3.3 | 115.2 | 4.0 | 135.0 | 4.8 | 137.7 | 5.0 |
| | 45 | 67.9 | 2.3 | 82.5 | 2.9 | 96.3 | 3.4 | 115.2 | 4.1 | 135.0 | 4.9 | 137.5 | 5.2 |
| | 50 | 67.9 | 2.4 | 82.5 | 2.9 | 96.3 | 3.5 | 115.2 | 4.2 | 135.0 | 5.1 | 137.5 | 5.3 |
| | 55 | 67.9 | 2.5 | 82.5 | 3.0 | 96.3 | 3.6 | 115.2 | 4.3 | 135.0 | 5.2 | 137.6 | 5.4 |
| | 60 | 67.9 | 2.5 | 82.5 | 3.1 | 96.3 | 3.7 | 115.2 | 4.5 | 135.0 | 5.4 | 137.9 | 5.6 |
| | 65 | 67.9 | 2.6 | 82.5 | 3.2 | 96.3 | 3.8 | 115.2 | 4.6 | 135.0 | 5.5 | 138.1 | 5.8 |
| | 70 | 67.9 | 2.8 | 82.5 | 3.5 | 96.3 | 4.1 | 115.2 | 5.0 | 135.0 | 6.0 | 138.2 | 6.3 |
| | 75 | 67.9 | 3.1 | 82.5 | 3.8 | 96.3 | 4.5 | 115.2 | 5.5 | 135.0 | 6.6 | 137.9 | 6.9 |
| | 80 | 67.9 | 3.4 | 82.5 | 4.2 | 96.3 | 4.9 | 115.2 | 6.0 | 134.5 | 7.2 | 137.1 | 7.5 |
| | 85 | 67.9 | 3.7 | 82.5 | 4.6 | 96.3 | 5.4 | 115.2 | 6.6 | 133.0 | 7.8 | 135.6 | 8.1 |
| | 90 | 67.9 | 4.1 | 82.5 | 5.0 | 96.3 | 5.9 | 115.2 | 7.2 | 130.5 | 8.4 | 133.0 | 8.8 |
| | 95 | 67.9 | 4.5 | 82.5 | 5.5 | 96.3 | 6.5 | 115.2 | 7.9 | 122.4 | 8.6 | 124.3 | 8.9 |
| 100 | 67.9 | 4.9 | 82.5 | 6.0 | 96.3 | 7.0 | 115.2 | 8.6 | 116.9 | 8.9 | 119.1 | 9.3 | |
| 105 | 67.9 | 5.2 | 82.5 | 6.4 | 96.3 | 7.6 | 106.8 | 8.6 | 110.0 | 9.1 | 112.1 | 9.5 | |
| 110 | 67.9 | 5.6 | 82.5 | 6.9 | 94.4 | 8.0 | 98.0 | 8.4 | 101.0 | 8.9 | 102.9 | 9.3 | |
| 115 | 67.9 | 5.9 | 80.8 | 7.1 | 83.6 | 7.5 | 86.8 | 7.9 | 89.4 | 8.3 | 91.1 | 8.7 | |
| 118 | 67.9 | 6.1 | 73.2 | 6.7 | 75.7 | 7.0 | 78.6 | 7.4 | 81.0 | 7.8 | 82.5 | 8.1 | |
| 125 | 49.4 | 4.6 | 51.6 | 4.9 | 53.3 | 5.1 | 55.4 | 5.4 | 57.0 | 5.7 | 58.1 | 6.0 | |

NOTE - Power Input = Compressor + Outdoor Fan Motor.
 MBH = 1000 BTUs per hour.

COOLING CAPACITY - SINGLE MODULE | VRB096H4

| Combination (%) | Outdoor Temperature °F (Dry Bulb) | Indoor Temperature - °F (Dry Bulb / Wet Bulb) | | | | | | | | | | | |
|-----------------|-----------------------------------|---|-------------|------------|-------------|------------|-------------|-------------|-------------|------------|-------------|------------|-------------|
| | | 67 / 57 | | 71 / 60 | | 75 / 63 | | 80 / 67 | | 85 / 71 | | 90 / 75 | |
| | | Total Cap. | Power Input | Total Cap. | Power Input | Total Cap. | Power Input | Total Cap. | Power Input | Total Cap. | Power Input | Total Cap. | Power Input |
| | | MBH | KW | MBH | KW | MBH | KW | MBH | KW | MBH | KW | MBH | KW |
| 110% | -10 | 62.3 | 1.7 | 75.7 | 2.0 | 88.3 | 2.4 | 105.6 | 2.9 | 123.7 | 3.5 | 141.1 | 4.1 |
| | -5 | 62.3 | 1.8 | 75.7 | 2.2 | 88.3 | 2.5 | 105.6 | 3.1 | 123.7 | 3.7 | 141.1 | 4.3 |
| | 10 | 62.3 | 1.8 | 75.7 | 2.2 | 88.3 | 2.6 | 105.6 | 3.2 | 123.7 | 3.8 | 141.1 | 4.4 |
| | 15 | 62.3 | 1.8 | 75.7 | 2.3 | 88.3 | 2.7 | 105.6 | 3.2 | 123.7 | 3.9 | 141.1 | 4.5 |
| | 20 | 62.3 | 1.9 | 75.7 | 2.3 | 88.3 | 2.7 | 105.6 | 3.3 | 123.7 | 4.0 | 141.1 | 4.6 |
| | 25 | 62.3 | 1.9 | 75.7 | 2.4 | 88.3 | 2.8 | 105.6 | 3.4 | 123.7 | 4.1 | 141.1 | 4.7 |
| | 30 | 62.3 | 2.0 | 75.7 | 2.4 | 88.3 | 2.8 | 105.6 | 3.5 | 123.7 | 4.2 | 139.3 | 4.8 |
| | 35 | 62.3 | 2.0 | 75.7 | 2.5 | 88.3 | 2.9 | 105.6 | 3.6 | 123.7 | 4.3 | 136.6 | 4.8 |
| | 40 | 62.3 | 2.1 | 75.7 | 2.5 | 88.3 | 3.0 | 105.6 | 3.6 | 123.7 | 4.4 | 135.0 | 4.9 |
| | 45 | 62.3 | 2.1 | 75.7 | 2.6 | 88.3 | 3.1 | 105.6 | 3.7 | 123.7 | 4.5 | 134.8 | 5.0 |
| | 50 | 62.3 | 2.2 | 75.7 | 2.7 | 88.3 | 3.1 | 105.6 | 3.8 | 123.7 | 4.6 | 134.8 | 5.1 |
| | 55 | 62.3 | 2.2 | 75.7 | 2.7 | 88.3 | 3.2 | 105.6 | 3.9 | 123.7 | 4.7 | 135.0 | 5.3 |
| | 60 | 62.3 | 2.3 | 75.7 | 2.8 | 88.3 | 3.3 | 105.6 | 4.0 | 123.7 | 4.8 | 135.2 | 5.4 |
| | 65 | 62.3 | 2.3 | 75.7 | 2.9 | 88.3 | 3.4 | 105.6 | 4.1 | 123.7 | 5.0 | 135.5 | 5.6 |
| | 70 | 62.3 | 2.5 | 75.7 | 3.1 | 88.3 | 3.7 | 105.6 | 4.5 | 123.7 | 5.4 | 135.5 | 6.1 |
| | 75 | 62.3 | 2.8 | 75.7 | 3.4 | 88.3 | 4.1 | 105.6 | 4.9 | 123.7 | 5.9 | 135.2 | 6.6 |
| | 80 | 62.3 | 3.1 | 75.7 | 3.8 | 88.3 | 4.5 | 105.6 | 5.4 | 123.7 | 6.5 | 134.5 | 7.2 |
| | 85 | 62.3 | 3.4 | 75.7 | 4.1 | 88.3 | 4.9 | 105.6 | 6.0 | 123.7 | 7.1 | 133.0 | 7.9 |
| | 90 | 62.3 | 3.7 | 75.7 | 4.5 | 88.3 | 5.4 | 105.6 | 6.5 | 123.7 | 7.8 | 130.5 | 8.5 |
| | 95 | 62.3 | 4.0 | 75.7 | 5.0 | 88.3 | 5.9 | 105.6 | 7.1 | 123.7 | 8.5 | 124.3 | 8.8 |
| 100 | 62.3 | 4.4 | 75.7 | 5.4 | 88.3 | 6.4 | 105.6 | 7.8 | 116.9 | 8.8 | 119.1 | 9.2 | |
| 105 | 62.3 | 4.7 | 75.7 | 5.8 | 88.3 | 6.9 | 105.6 | 8.4 | 110.0 | 8.9 | 112.1 | 9.3 | |
| 110 | 62.3 | 5.1 | 75.7 | 6.2 | 88.3 | 7.4 | 98.0 | 8.3 | 101.0 | 8.8 | 102.9 | 9.1 | |
| 115 | 62.3 | 5.4 | 75.7 | 6.6 | 83.6 | 7.4 | 86.8 | 7.8 | 89.4 | 8.2 | 91.1 | 8.6 | |
| 118 | 62.3 | 5.5 | 73.2 | 6.6 | 75.7 | 6.9 | 78.6 | 7.3 | 81.0 | 7.6 | 82.5 | 8.0 | |
| 125 | 49.4 | 4.6 | 51.6 | 4.8 | 53.3 | 5.0 | 55.4 | 5.3 | 57.0 | 5.6 | 58.1 | 5.9 | |
| 100% | -10 | 56.6 | 1.5 | 68.8 | 1.8 | 80.2 | 2.1 | 96.0 | 2.6 | 112.5 | 3.1 | 128.2 | 3.7 |
| | -5 | 56.6 | 1.6 | 68.8 | 1.9 | 80.2 | 2.3 | 96.0 | 2.8 | 112.5 | 3.3 | 128.2 | 3.9 |
| | 10 | 56.6 | 1.6 | 68.8 | 2.0 | 80.2 | 2.3 | 96.0 | 2.8 | 112.5 | 3.4 | 128.2 | 4.0 |
| | 15 | 56.6 | 1.6 | 68.8 | 2.0 | 80.2 | 2.4 | 96.0 | 2.9 | 112.5 | 3.5 | 128.2 | 4.1 |
| | 20 | 56.6 | 1.7 | 68.8 | 2.1 | 80.2 | 2.4 | 96.0 | 3.0 | 112.5 | 3.6 | 128.2 | 4.1 |
| | 25 | 56.6 | 1.7 | 68.8 | 2.1 | 80.2 | 2.5 | 96.0 | 3.0 | 112.5 | 3.6 | 128.2 | 4.2 |
| | 30 | 56.6 | 1.8 | 68.8 | 2.2 | 80.2 | 2.5 | 96.0 | 3.1 | 112.5 | 3.7 | 128.2 | 4.3 |
| | 35 | 56.6 | 1.8 | 68.8 | 2.2 | 80.2 | 2.6 | 96.0 | 3.2 | 112.5 | 3.8 | 128.2 | 4.4 |
| | 40 | 56.6 | 1.8 | 68.8 | 2.3 | 80.2 | 2.7 | 96.0 | 3.3 | 112.5 | 3.9 | 128.2 | 4.6 |
| | 45 | 56.6 | 1.9 | 68.8 | 2.3 | 80.2 | 2.7 | 96.0 | 3.3 | 112.5 | 4.0 | 128.2 | 4.7 |
| | 50 | 56.6 | 1.9 | 68.8 | 2.4 | 80.2 | 2.8 | 96.0 | 3.4 | 112.5 | 4.1 | 128.2 | 4.8 |
| | 55 | 56.6 | 2.0 | 68.8 | 2.4 | 80.2 | 2.9 | 96.0 | 3.5 | 112.5 | 4.2 | 128.2 | 4.9 |
| | 60 | 56.6 | 2.0 | 68.8 | 2.5 | 80.2 | 3.0 | 96.0 | 3.6 | 112.5 | 4.3 | 128.2 | 5.1 |
| | 65 | 56.6 | 2.1 | 68.8 | 2.6 | 80.2 | 3.0 | 96.0 | 3.7 | 112.5 | 4.4 | 128.2 | 5.2 |
| | 70 | 56.6 | 2.3 | 68.8 | 2.8 | 80.2 | 3.3 | 96.0 | 4.0 | 112.5 | 4.8 | 128.2 | 5.6 |
| | 75 | 56.6 | 2.5 | 68.8 | 3.1 | 80.2 | 3.6 | 96.0 | 4.4 | 112.5 | 5.3 | 128.2 | 6.2 |
| | 80 | 56.6 | 2.8 | 68.8 | 3.4 | 80.2 | 4.0 | 96.0 | 4.9 | 112.5 | 5.8 | 128.2 | 6.8 |
| | 85 | 56.6 | 3.0 | 68.8 | 3.7 | 80.2 | 4.4 | 96.0 | 5.3 | 112.5 | 6.4 | 128.2 | 7.5 |
| | 90 | 56.6 | 3.3 | 68.8 | 4.1 | 80.2 | 4.8 | 96.0 | 5.8 | 112.5 | 7.0 | 127.9 | 8.2 |
| | 95 | 56.6 | 3.6 | 68.8 | 4.4 | 80.2 | 5.2 | 96.0 | 6.4 | 112.5 | 7.7 | 124.3 | 8.7 |
| 100 | 56.6 | 3.9 | 68.8 | 4.8 | 80.2 | 5.7 | 96.0 | 6.9 | 112.5 | 8.3 | 119.1 | 9.0 | |
| 105 | 56.6 | 4.2 | 68.8 | 5.2 | 80.2 | 6.2 | 96.0 | 7.5 | 110.0 | 8.8 | 112.1 | 9.2 | |
| 110 | 56.6 | 4.5 | 68.8 | 5.6 | 80.2 | 6.6 | 96.0 | 8.0 | 101.0 | 8.6 | 102.9 | 9.0 | |
| 115 | 56.6 | 4.8 | 68.8 | 5.9 | 80.2 | 7.0 | 86.8 | 7.7 | 89.4 | 8.1 | 91.1 | 8.4 | |
| 118 | 56.6 | 4.9 | 68.8 | 6.1 | 75.7 | 6.8 | 78.6 | 7.1 | 81.0 | 7.5 | 82.5 | 7.9 | |
| 125 | 49.4 | 4.5 | 51.6 | 4.7 | 53.3 | 5.0 | 55.4 | 5.3 | 57.0 | 5.5 | 58.1 | 5.8 | |

NOTE - Power Input = Compressor + Outdoor Fan Motor.
MBH = 1000 BTUs per hour.

COOLING CAPACITY - SINGLE MODULE | VRB096H4

| Combination (%) | Outdoor Temperature °F (Dry Bulb) | Indoor Temperature - °F (Dry Bulb / Wet Bulb) | | | | | | | | | | | |
|-----------------|-----------------------------------|---|-------------|------------|-------------|------------|-------------|------------|-------------|------------|-------------|------------|-------------|
| | | 67 / 57 | | 71 / 60 | | 75 / 63 | | 80 / 67 | | 85 / 71 | | 90 / 75 | |
| | | Total Cap. | Power Input | Total Cap. | Power Input | Total Cap. | Power Input | Total Cap. | Power Input | Total Cap. | Power Input | Total Cap. | Power Input |
| | | MBH | kW | MBH | kW | MBH | kW | MBH | kW | MBH | kW | MBH | kW |
| 90% | -10 | 50.9 | 1.3 | 61.9 | 1.6 | 72.2 | 1.9 | 86.4 | 2.3 | 101.2 | 2.8 | 115.4 | 3.2 |
| | -5 | 50.9 | 1.4 | 61.9 | 1.7 | 72.2 | 2.0 | 86.4 | 2.5 | 101.2 | 3.0 | 115.4 | 3.4 |
| | 10 | 50.9 | 1.4 | 61.9 | 1.7 | 72.2 | 2.1 | 86.4 | 2.5 | 101.2 | 3.0 | 115.4 | 3.5 |
| | 15 | 50.9 | 1.5 | 61.9 | 1.8 | 72.2 | 2.1 | 86.4 | 2.6 | 101.2 | 3.1 | 115.4 | 3.6 |
| | 20 | 50.9 | 1.5 | 61.9 | 1.8 | 72.2 | 2.2 | 86.4 | 2.6 | 101.2 | 3.1 | 115.4 | 3.7 |
| | 25 | 50.9 | 1.5 | 61.9 | 1.9 | 72.2 | 2.2 | 86.4 | 2.7 | 101.2 | 3.2 | 115.4 | 3.8 |
| | 30 | 50.9 | 1.6 | 61.9 | 1.9 | 72.2 | 2.3 | 86.4 | 2.8 | 101.2 | 3.3 | 115.4 | 3.9 |
| | 35 | 50.9 | 1.6 | 61.9 | 2.0 | 72.2 | 2.3 | 86.4 | 2.8 | 101.2 | 3.4 | 115.4 | 3.9 |
| | 40 | 50.9 | 1.6 | 61.9 | 2.0 | 72.2 | 2.4 | 86.4 | 2.9 | 101.2 | 3.5 | 115.4 | 4.0 |
| | 45 | 50.9 | 1.7 | 61.9 | 2.1 | 72.2 | 2.4 | 86.4 | 3.0 | 101.2 | 3.5 | 115.4 | 4.1 |
| | 50 | 50.9 | 1.7 | 61.9 | 2.1 | 72.2 | 2.5 | 86.4 | 3.0 | 101.2 | 3.6 | 115.4 | 4.2 |
| | 55 | 50.9 | 1.8 | 61.9 | 2.2 | 72.2 | 2.6 | 86.4 | 3.1 | 101.2 | 3.7 | 115.4 | 4.4 |
| | 60 | 50.9 | 1.8 | 61.9 | 2.2 | 72.2 | 2.6 | 86.4 | 3.2 | 101.2 | 3.8 | 115.4 | 4.5 |
| | 65 | 50.9 | 1.9 | 61.9 | 2.3 | 72.2 | 2.7 | 86.4 | 3.3 | 101.2 | 3.9 | 115.4 | 4.6 |
| | 70 | 50.9 | 2.0 | 61.9 | 2.5 | 72.2 | 2.9 | 86.4 | 3.6 | 101.2 | 4.3 | 115.4 | 5.0 |
| | 75 | 50.9 | 2.2 | 61.9 | 2.7 | 72.2 | 3.2 | 86.4 | 3.9 | 101.2 | 4.7 | 115.4 | 5.5 |
| | 80 | 50.9 | 2.4 | 61.9 | 3.0 | 72.2 | 3.5 | 86.4 | 4.3 | 101.2 | 5.2 | 115.4 | 6.0 |
| | 85 | 50.9 | 2.7 | 61.9 | 3.3 | 72.2 | 3.9 | 86.4 | 4.7 | 101.2 | 5.7 | 115.4 | 6.6 |
| | 90 | 50.9 | 2.9 | 61.9 | 3.6 | 72.2 | 4.3 | 86.4 | 5.2 | 101.2 | 6.2 | 115.4 | 7.3 |
| | 95 | 50.9 | 3.2 | 61.9 | 3.9 | 72.2 | 4.6 | 86.4 | 5.7 | 101.2 | 6.8 | 115.4 | 7.9 |
| 100 | 50.9 | 3.5 | 61.9 | 4.3 | 72.2 | 5.1 | 86.4 | 6.2 | 101.2 | 7.4 | 115.4 | 8.6 | |
| 105 | 50.9 | 3.8 | 61.9 | 4.6 | 72.2 | 5.5 | 86.4 | 6.6 | 101.2 | 8.0 | 112.1 | 9.0 | |
| 110 | 50.9 | 4.0 | 61.9 | 4.9 | 72.2 | 5.8 | 86.4 | 7.1 | 101.0 | 8.5 | 102.9 | 8.9 | |
| 115 | 50.9 | 4.3 | 61.9 | 5.2 | 72.2 | 6.2 | 86.4 | 7.5 | 89.4 | 8.0 | 91.1 | 8.3 | |
| 118 | 50.9 | 4.4 | 61.9 | 5.4 | 72.2 | 6.4 | 78.6 | 7.0 | 81.0 | 7.4 | 82.5 | 7.7 | |
| 125 | 49.4 | 4.4 | 51.6 | 4.7 | 53.3 | 4.9 | 55.4 | 5.2 | 57.0 | 5.5 | 58.1 | 5.7 | |
| 80% | -10 | 45.3 | 1.1 | 55.0 | 1.4 | 64.2 | 1.7 | 76.8 | 2.0 | 90.0 | 2.4 | 102.6 | 2.8 |
| | -5 | 45.3 | 1.2 | 55.0 | 1.5 | 64.2 | 1.8 | 76.8 | 2.2 | 90.0 | 2.6 | 102.6 | 3.0 |
| | 10 | 45.3 | 1.2 | 55.0 | 1.5 | 64.2 | 1.8 | 76.8 | 2.2 | 90.0 | 2.6 | 102.6 | 3.1 |
| | 15 | 45.3 | 1.3 | 55.0 | 1.6 | 64.2 | 1.8 | 76.8 | 2.3 | 90.0 | 2.7 | 102.6 | 3.2 |
| | 20 | 45.3 | 1.3 | 55.0 | 1.6 | 64.2 | 1.9 | 76.8 | 2.3 | 90.0 | 2.8 | 102.6 | 3.2 |
| | 25 | 45.3 | 1.3 | 55.0 | 1.6 | 64.2 | 1.9 | 76.8 | 2.4 | 90.0 | 2.8 | 102.6 | 3.3 |
| | 30 | 45.3 | 1.4 | 55.0 | 1.7 | 64.2 | 2.0 | 76.8 | 2.4 | 90.0 | 2.9 | 102.6 | 3.4 |
| | 35 | 45.3 | 1.4 | 55.0 | 1.7 | 64.2 | 2.0 | 76.8 | 2.5 | 90.0 | 3.0 | 102.6 | 3.5 |
| | 40 | 45.3 | 1.4 | 55.0 | 1.8 | 64.2 | 2.1 | 76.8 | 2.5 | 90.0 | 3.0 | 102.6 | 3.5 |
| | 45 | 45.3 | 1.5 | 55.0 | 1.8 | 64.2 | 2.1 | 76.8 | 2.6 | 90.0 | 3.1 | 102.6 | 3.6 |
| | 50 | 45.3 | 1.5 | 55.0 | 1.8 | 64.2 | 2.2 | 76.8 | 2.7 | 90.0 | 3.2 | 102.6 | 3.7 |
| | 55 | 45.3 | 1.5 | 55.0 | 1.9 | 64.2 | 2.2 | 76.8 | 2.7 | 90.0 | 3.3 | 102.6 | 3.8 |
| | 60 | 45.3 | 1.6 | 55.0 | 1.9 | 64.2 | 2.3 | 76.8 | 2.8 | 90.0 | 3.4 | 102.6 | 3.9 |
| | 65 | 45.3 | 1.6 | 55.0 | 2.0 | 64.2 | 2.4 | 76.8 | 2.9 | 90.0 | 3.5 | 102.6 | 4.0 |
| | 70 | 45.3 | 1.8 | 55.0 | 2.2 | 64.2 | 2.6 | 76.8 | 3.1 | 90.0 | 3.8 | 102.6 | 4.4 |
| | 75 | 45.3 | 1.9 | 55.0 | 2.4 | 64.2 | 2.8 | 76.8 | 3.4 | 90.0 | 4.1 | 102.6 | 4.8 |
| | 80 | 45.3 | 2.1 | 55.0 | 2.6 | 64.2 | 3.1 | 76.8 | 3.8 | 90.0 | 4.5 | 102.6 | 5.3 |
| | 85 | 45.3 | 2.3 | 55.0 | 2.9 | 64.2 | 3.4 | 76.8 | 4.1 | 90.0 | 5.0 | 102.6 | 5.8 |
| | 90 | 45.3 | 2.6 | 55.0 | 3.2 | 64.2 | 3.7 | 76.8 | 4.5 | 90.0 | 5.4 | 102.6 | 6.4 |
| | 95 | 45.3 | 2.8 | 55.0 | 3.4 | 64.2 | 4.1 | 76.8 | 5.0 | 90.0 | 5.9 | 102.6 | 6.9 |
| 100 | 45.3 | 3.0 | 55.0 | 3.7 | 64.2 | 4.4 | 76.8 | 5.4 | 90.0 | 6.5 | 102.6 | 7.5 | |
| 105 | 45.3 | 3.3 | 55.0 | 4.0 | 64.2 | 4.8 | 76.8 | 5.8 | 90.0 | 7.0 | 102.6 | 8.1 | |
| 110 | 45.3 | 3.5 | 55.0 | 4.3 | 64.2 | 5.1 | 76.8 | 6.2 | 90.0 | 7.5 | 102.6 | 8.7 | |
| 115 | 45.3 | 3.7 | 55.0 | 4.6 | 64.2 | 5.4 | 76.8 | 6.6 | 89.4 | 7.8 | 91.1 | 8.2 | |
| 118 | 45.3 | 3.8 | 55.0 | 4.7 | 64.2 | 5.6 | 76.8 | 6.8 | 81.0 | 7.3 | 82.5 | 7.6 | |
| 125 | 45.3 | 4.0 | 51.6 | 4.6 | 53.3 | 4.8 | 55.4 | 5.1 | 57.0 | 5.4 | 58.1 | 5.6 | |

NOTE - Power Input = Compressor + Outdoor Fan Motor.
 MBH = 1000 BTUs per hour.

COOLING CAPACITY - SINGLE MODULE | VRB096H4

| Combination (%) | Outdoor Temperature °F (Dry Bulb) | Indoor Temperature - °F (Dry Bulb / Wet Bulb) | | | | | | | | | | | |
|-----------------|-----------------------------------|---|-------------|------------|-------------|------------|-------------|------------|-------------|------------|-------------|------------|-------------|
| | | 67 / 57 | | 71 / 60 | | 75 / 63 | | 80 / 67 | | 85 / 71 | | 90 / 75 | |
| | | Total Cap. | Power Input | Total Cap. | Power Input | Total Cap. | Power Input | Total Cap. | Power Input | Total Cap. | Power Input | Total Cap. | Power Input |
| | | MBH | KW | MBH | KW | MBH | KW | MBH | KW | MBH | KW | MBH | KW |
| 70% | -10 | 39.6 | 1.0 | 48.1 | 1.2 | 56.2 | 1.4 | 67.2 | 1.8 | 78.7 | 2.1 | 89.8 | 2.5 |
| | -5 | 39.6 | 1.1 | 48.1 | 1.3 | 56.2 | 1.5 | 67.2 | 1.9 | 78.7 | 2.2 | 89.8 | 2.6 |
| | 10 | 39.6 | 1.1 | 48.1 | 1.3 | 56.2 | 1.6 | 67.2 | 1.9 | 78.7 | 2.3 | 89.8 | 2.7 |
| | 15 | 39.6 | 1.1 | 48.1 | 1.4 | 56.2 | 1.6 | 67.2 | 1.9 | 78.7 | 2.3 | 89.8 | 2.7 |
| | 20 | 39.6 | 1.1 | 48.1 | 1.4 | 56.2 | 1.6 | 67.2 | 2.0 | 78.7 | 2.4 | 89.8 | 2.8 |
| | 25 | 39.6 | 1.1 | 48.1 | 1.4 | 56.2 | 1.7 | 67.2 | 2.0 | 78.7 | 2.4 | 89.8 | 2.8 |
| | 30 | 39.6 | 1.2 | 48.1 | 1.4 | 56.2 | 1.7 | 67.2 | 2.1 | 78.7 | 2.5 | 89.8 | 2.9 |
| | 35 | 39.6 | 1.2 | 48.1 | 1.5 | 56.2 | 1.7 | 67.2 | 2.1 | 78.7 | 2.6 | 89.8 | 3.0 |
| | 40 | 39.6 | 1.2 | 48.1 | 1.5 | 56.2 | 1.8 | 67.2 | 2.2 | 78.7 | 2.6 | 89.8 | 3.1 |
| | 45 | 39.6 | 1.3 | 48.1 | 1.6 | 56.2 | 1.8 | 67.2 | 2.2 | 78.7 | 2.7 | 89.8 | 3.1 |
| | 50 | 39.6 | 1.3 | 48.1 | 1.6 | 56.2 | 1.9 | 67.2 | 2.3 | 78.7 | 2.7 | 89.8 | 3.2 |
| | 55 | 39.6 | 1.3 | 48.1 | 1.6 | 56.2 | 1.9 | 67.2 | 2.4 | 78.7 | 2.8 | 89.8 | 3.3 |
| | 60 | 39.6 | 1.4 | 48.1 | 1.7 | 56.2 | 2.0 | 67.2 | 2.4 | 78.7 | 2.9 | 89.8 | 3.4 |
| | 65 | 39.6 | 1.4 | 48.1 | 1.7 | 56.2 | 2.0 | 67.2 | 2.5 | 78.7 | 3.0 | 89.8 | 3.5 |
| | 70 | 39.6 | 1.5 | 48.1 | 1.9 | 56.2 | 2.2 | 67.2 | 2.7 | 78.7 | 3.2 | 89.8 | 3.8 |
| | 75 | 39.6 | 1.7 | 48.1 | 2.1 | 56.2 | 2.4 | 67.2 | 3.0 | 78.7 | 3.6 | 89.8 | 4.2 |
| | 80 | 39.6 | 1.8 | 48.1 | 2.3 | 56.2 | 2.7 | 67.2 | 3.3 | 78.7 | 3.9 | 89.8 | 4.6 |
| | 85 | 39.6 | 2.0 | 48.1 | 2.5 | 56.2 | 2.9 | 67.2 | 3.6 | 78.7 | 4.3 | 89.8 | 5.0 |
| | 90 | 39.6 | 2.2 | 48.1 | 2.7 | 56.2 | 3.2 | 67.2 | 3.9 | 78.7 | 4.7 | 89.8 | 5.5 |
| | 95 | 39.6 | 2.4 | 48.1 | 3.0 | 56.2 | 3.5 | 67.2 | 4.3 | 78.7 | 5.1 | 89.8 | 6.0 |
| 100 | 39.6 | 2.6 | 48.1 | 3.2 | 56.2 | 3.8 | 67.2 | 4.7 | 78.7 | 5.6 | 89.8 | 6.5 | |
| 105 | 39.6 | 2.8 | 48.1 | 3.5 | 56.2 | 4.1 | 67.2 | 5.0 | 78.7 | 6.0 | 89.8 | 7.0 | |
| 110 | 39.6 | 3.0 | 48.1 | 3.7 | 56.2 | 4.4 | 67.2 | 5.4 | 78.7 | 6.4 | 89.8 | 7.5 | |
| 115 | 39.6 | 3.2 | 48.1 | 4.0 | 56.2 | 4.7 | 67.2 | 5.7 | 78.7 | 6.8 | 89.8 | 8.0 | |
| 118 | 39.6 | 3.3 | 48.1 | 4.1 | 56.2 | 4.8 | 67.2 | 5.8 | 78.7 | 7.0 | 82.5 | 7.5 | |
| 125 | 39.6 | 3.4 | 48.1 | 4.2 | 53.3 | 4.8 | 55.4 | 5.0 | 57.0 | 5.3 | 58.1 | 5.5 | |
| 60% | -10 | 34.0 | 0.8 | 41.3 | 1.0 | 48.1 | 1.2 | 57.6 | 1.5 | 67.5 | 1.8 | 76.9 | 2.1 |
| | -5 | 34.0 | 0.9 | 41.3 | 1.1 | 48.1 | 1.3 | 57.6 | 1.6 | 67.5 | 1.9 | 76.9 | 2.2 |
| | 10 | 34.0 | 0.9 | 41.3 | 1.1 | 48.1 | 1.3 | 57.6 | 1.6 | 67.5 | 1.9 | 76.9 | 2.2 |
| | 15 | 34.0 | 0.9 | 41.3 | 1.1 | 48.1 | 1.3 | 57.6 | 1.6 | 67.5 | 2.0 | 76.9 | 2.3 |
| | 20 | 34.0 | 0.9 | 41.3 | 1.2 | 48.1 | 1.4 | 57.6 | 1.7 | 67.5 | 2.0 | 76.9 | 2.3 |
| | 25 | 34.0 | 1.0 | 41.3 | 1.2 | 48.1 | 1.4 | 57.6 | 1.7 | 67.5 | 2.1 | 76.9 | 2.4 |
| | 30 | 34.0 | 1.0 | 41.3 | 1.2 | 48.1 | 1.4 | 57.6 | 1.8 | 67.5 | 2.1 | 76.9 | 2.5 |
| | 35 | 34.0 | 1.0 | 41.3 | 1.3 | 48.1 | 1.5 | 57.6 | 1.8 | 67.5 | 2.2 | 76.9 | 2.5 |
| | 40 | 34.0 | 1.0 | 41.3 | 1.3 | 48.1 | 1.5 | 57.6 | 1.8 | 67.5 | 2.2 | 76.9 | 2.6 |
| | 45 | 34.0 | 1.1 | 41.3 | 1.3 | 48.1 | 1.6 | 57.6 | 1.9 | 67.5 | 2.3 | 76.9 | 2.6 |
| | 50 | 34.0 | 1.1 | 41.3 | 1.3 | 48.1 | 1.6 | 57.6 | 1.9 | 67.5 | 2.3 | 76.9 | 2.7 |
| | 55 | 34.0 | 1.1 | 41.3 | 1.4 | 48.1 | 1.6 | 57.6 | 2.0 | 67.5 | 2.4 | 76.9 | 2.8 |
| | 60 | 34.0 | 1.2 | 41.3 | 1.4 | 48.1 | 1.7 | 57.6 | 2.0 | 67.5 | 2.4 | 76.9 | 2.9 |
| | 65 | 34.0 | 1.2 | 41.3 | 1.5 | 48.1 | 1.7 | 57.6 | 2.1 | 67.5 | 2.5 | 76.9 | 2.9 |
| | 70 | 34.0 | 1.3 | 41.3 | 1.6 | 48.1 | 1.9 | 57.6 | 2.3 | 67.5 | 2.7 | 76.9 | 3.2 |
| | 75 | 34.0 | 1.4 | 41.3 | 1.7 | 48.1 | 2.1 | 57.6 | 2.5 | 67.5 | 3.0 | 76.9 | 3.5 |
| | 80 | 34.0 | 1.6 | 41.3 | 1.9 | 48.1 | 2.3 | 57.6 | 2.8 | 67.5 | 3.3 | 76.9 | 3.9 |
| | 85 | 34.0 | 1.7 | 41.3 | 2.1 | 48.1 | 2.5 | 57.6 | 3.0 | 67.5 | 3.6 | 76.9 | 4.2 |
| | 90 | 34.0 | 1.9 | 41.3 | 2.3 | 48.1 | 2.7 | 57.6 | 3.3 | 67.5 | 4.0 | 76.9 | 4.6 |
| | 95 | 34.0 | 2.0 | 41.3 | 2.5 | 48.1 | 3.0 | 57.6 | 3.6 | 67.5 | 4.3 | 76.9 | 5.1 |
| 100 | 34.0 | 2.2 | 41.3 | 2.7 | 48.1 | 3.2 | 57.6 | 3.9 | 67.5 | 4.7 | 76.9 | 5.5 | |
| 105 | 34.0 | 2.4 | 41.3 | 2.9 | 48.1 | 3.5 | 57.6 | 4.2 | 67.5 | 5.1 | 76.9 | 5.9 | |
| 110 | 34.0 | 2.6 | 41.3 | 3.2 | 48.1 | 3.7 | 57.6 | 4.5 | 67.5 | 5.4 | 76.9 | 6.4 | |
| 115 | 34.0 | 2.7 | 41.3 | 3.3 | 48.1 | 3.9 | 57.6 | 4.8 | 67.5 | 5.8 | 76.9 | 6.7 | |
| 118 | 34.0 | 2.8 | 41.3 | 3.4 | 48.1 | 4.1 | 57.6 | 4.9 | 67.5 | 5.9 | 76.9 | 6.9 | |
| 125 | 34.0 | 2.9 | 41.3 | 3.6 | 48.1 | 4.2 | 55.4 | 5.0 | 57.0 | 5.2 | 58.1 | 5.4 | |

NOTE - Power Input = Compressor + Outdoor Fan Motor.
 MBH = 1000 BTUs per hour.

COOLING CAPACITY - SINGLE MODULE | VRB096H4

| Combination (%) | Outdoor Temperature °F (Dry Bulb) | Indoor Temperature - °F (Dry Bulb / Wet Bulb) | | | | | | | | | | | |
|-----------------|-----------------------------------|---|-------------|------------|-------------|------------|-------------|------------|-------------|------------|-------------|------------|-------------|
| | | 67 / 57 | | 71 / 60 | | 75 / 63 | | 80 / 67 | | 85 / 71 | | 90 / 75 | |
| | | Total Cap. | Power Input | Total Cap. | Power Input | Total Cap. | Power Input | Total Cap. | Power Input | Total Cap. | Power Input | Total Cap. | Power Input |
| | | MBH | kW | MBH | kW | MBH | kW | MBH | kW | MBH | kW | MBH | kW |
| 50% | -10 | 27.3 | 0.7 | 34.4 | 0.8 | 40.1 | 1.0 | 48.0 | 1.2 | 56.2 | 1.5 | 64.1 | 1.7 |
| | -5 | 28.3 | 0.7 | 34.4 | 0.9 | 40.1 | 1.1 | 48.0 | 1.3 | 56.2 | 1.5 | 64.1 | 1.8 |
| | 10 | 28.3 | 0.7 | 34.4 | 0.9 | 40.1 | 1.1 | 48.0 | 1.3 | 56.2 | 1.6 | 64.1 | 1.8 |
| | 15 | 28.3 | 0.8 | 34.4 | 0.9 | 40.1 | 1.1 | 48.0 | 1.3 | 56.2 | 1.6 | 64.1 | 1.9 |
| | 20 | 28.3 | 0.8 | 34.4 | 1.0 | 40.1 | 1.1 | 48.0 | 1.4 | 56.2 | 1.7 | 64.1 | 1.9 |
| | 25 | 28.3 | 0.8 | 34.4 | 1.0 | 40.1 | 1.2 | 48.0 | 1.4 | 56.2 | 1.7 | 64.1 | 2.0 |
| | 30 | 28.3 | 0.8 | 34.4 | 1.0 | 40.1 | 1.2 | 48.0 | 1.4 | 56.2 | 1.7 | 64.1 | 2.0 |
| | 35 | 28.3 | 0.8 | 34.4 | 1.0 | 40.1 | 1.2 | 48.0 | 1.5 | 56.2 | 1.8 | 64.1 | 2.1 |
| | 40 | 28.3 | 0.9 | 34.4 | 1.1 | 40.1 | 1.2 | 48.0 | 1.5 | 56.2 | 1.8 | 64.1 | 2.1 |
| | 45 | 28.3 | 0.9 | 34.4 | 1.1 | 40.1 | 1.3 | 48.0 | 1.6 | 56.2 | 1.9 | 64.1 | 2.2 |
| | 50 | 28.3 | 0.9 | 34.4 | 1.1 | 40.1 | 1.3 | 48.0 | 1.6 | 56.2 | 1.9 | 64.1 | 2.2 |
| | 55 | 28.3 | 0.9 | 34.4 | 1.1 | 40.1 | 1.3 | 48.0 | 1.6 | 56.2 | 2.0 | 64.1 | 2.3 |
| | 60 | 28.3 | 0.9 | 34.4 | 1.2 | 40.1 | 1.4 | 48.0 | 1.7 | 56.2 | 2.0 | 64.1 | 2.3 |
| | 65 | 28.3 | 1.0 | 34.4 | 1.2 | 40.1 | 1.4 | 48.0 | 1.7 | 56.2 | 2.1 | 64.1 | 2.4 |
| | 70 | 28.3 | 1.1 | 34.4 | 1.3 | 40.1 | 1.5 | 48.0 | 1.9 | 56.2 | 2.2 | 64.1 | 2.6 |
| | 75 | 28.3 | 1.2 | 34.4 | 1.4 | 40.1 | 1.7 | 48.0 | 2.1 | 56.2 | 2.5 | 64.1 | 2.9 |
| | 80 | 28.3 | 1.3 | 34.4 | 1.6 | 40.1 | 1.9 | 48.0 | 2.3 | 56.2 | 2.7 | 64.1 | 3.2 |
| | 85 | 28.3 | 1.4 | 34.4 | 1.7 | 40.1 | 2.0 | 48.0 | 2.5 | 56.2 | 3.0 | 64.1 | 3.5 |
| 90 | 28.3 | 1.5 | 34.4 | 1.9 | 40.1 | 2.2 | 48.0 | 2.7 | 56.2 | 3.3 | 64.1 | 3.8 | |
| 95 | 28.3 | 1.7 | 34.4 | 2.1 | 40.1 | 2.4 | 48.0 | 3.0 | 56.2 | 3.6 | 64.1 | 4.2 | |
| 100 | 28.3 | 1.8 | 34.4 | 2.2 | 40.1 | 2.7 | 48.0 | 3.2 | 56.2 | 3.9 | 64.1 | 4.5 | |
| 105 | 28.3 | 2.0 | 34.4 | 2.4 | 40.1 | 2.9 | 48.0 | 3.5 | 56.2 | 4.2 | 64.1 | 4.9 | |
| 110 | 28.3 | 2.1 | 34.4 | 2.6 | 40.1 | 3.1 | 48.0 | 3.7 | 56.2 | 4.5 | 64.1 | 5.2 | |
| 115 | 28.3 | 2.2 | 34.4 | 2.7 | 40.1 | 3.2 | 48.0 | 3.9 | 56.2 | 4.7 | 64.1 | 5.5 | |
| 118 | 28.3 | 2.3 | 34.4 | 2.8 | 40.1 | 3.3 | 48.0 | 4.1 | 56.2 | 4.9 | 64.1 | 5.7 | |
| 125 | 28.3 | 2.4 | 34.4 | 2.9 | 40.1 | 3.5 | 48.0 | 4.2 | 56.2 | 5.1 | 58.1 | 5.4 | |

NOTE - Power Input = Compressor + Outdoor Fan Motor.
 MBH = 1000 BTUs per hour.

HEATING CAPACITY - SINGLE MODULE | VRB096H4

| Combination (%) | Outdoor Temperature (°F) | | Indoor Temperature - °F Dry Bulb | | | | | | | | | | | |
|-----------------|--------------------------|----------|----------------------------------|-------------|------------|-------------|------------|-------------|------------|-------------|------------|-------------|------------|-------------|
| | | | 61 | | 64 | | 67 | | 70 | | 73 | | 75 | |
| | Dry Bulb | Wet Bulb | Total Cap. | Power Input | Total Cap. | Power Input | Total Cap. | Power Input | Total Cap. | Power Input | Total Cap. | Power Input | Total Cap. | Power Input |
| | | | MBH | kW | MBH | kW | MBH | kW | MBH | kW | MBH | kW | MBH | kW |
| 100% | -13 | -14 | 62.8 | 5.6 | 62.6 | 5.7 | 62.4 | 5.9 | 62.3 | 6.1 | 62.1 | 6.3 | 62.0 | 6.4 |
| | -8 | -9 | 67.2 | 6.0 | 67.0 | 6.2 | 66.8 | 6.3 | 66.7 | 6.5 | 66.5 | 6.7 | 66.4 | 6.8 |
| | -3 | -4 | 73.4 | 6.5 | 73.2 | 6.7 | 73.0 | 6.9 | 72.8 | 7.0 | 72.6 | 7.3 | 72.5 | 7.4 |
| | 2 | 1 | 80.7 | 7.1 | 80.5 | 7.3 | 80.3 | 7.4 | 80.1 | 7.7 | 79.9 | 7.9 | 79.8 | 8.0 |
| | 7 | 6 | 88.7 | 7.6 | 88.5 | 7.8 | 88.3 | 8.0 | 88.0 | 8.2 | 87.8 | 8.5 | 87.7 | 8.6 |
| | 12 | 10 | 96.8 | 8.1 | 96.6 | 8.3 | 96.4 | 8.5 | 96.1 | 8.8 | 95.9 | 9.0 | 95.7 | 9.2 |
| | 17 | 15 | 104.7 | 8.5 | 104.5 | 8.8 | 104.2 | 9.0 | 104.0 | 9.2 | 101.2 | 9.2 | 96.8 | 9.0 |
| | 22 | 20 | 112.1 | 8.8 | 111.8 | 9.0 | 111.5 | 9.3 | 108.0 | 9.2 | 101.2 | 8.9 | 96.8 | 8.6 |
| | 27 | 24 | 118.7 | 9.0 | 118.4 | 9.2 | 114.8 | 9.2 | 108.0 | 8.8 | 101.2 | 8.5 | 96.8 | 8.3 |
| | 32 | 29 | 124.3 | 9.1 | 121.2 | 9.0 | 114.8 | 8.8 | 108.0 | 8.5 | 101.2 | 8.1 | 96.8 | 7.6 |
| | 37 | 34 | 128.1 | 8.9 | 121.2 | 8.6 | 114.8 | 8.4 | 108.0 | 7.9 | 101.2 | 7.2 | 96.8 | 6.8 |
| | 42 | 38 | 128.1 | 8.5 | 121.2 | 8.2 | 114.8 | 7.7 | 108.0 | 7.1 | 101.2 | 6.6 | 96.8 | 6.2 |
| | 47 | 43 | 128.1 | 8.0 | 121.2 | 7.5 | 114.8 | 7.0 | 108.0 | 6.5 | 101.2 | 6.0 | 96.8 | 5.7 |
| | 52 | 47 | 128.1 | 7.3 | 121.2 | 6.8 | 114.8 | 6.4 | 108.0 | 6.0 | 101.2 | 5.5 | 96.8 | 5.3 |
| | 57 | 52 | 128.1 | 6.7 | 121.2 | 6.3 | 114.8 | 5.9 | 108.0 | 5.5 | 101.2 | 5.1 | 96.8 | 4.9 |
| | 62 | 56 | 128.1 | 6.2 | 121.2 | 5.8 | 114.8 | 5.5 | 108.0 | 5.1 | 101.2 | 4.8 | 96.8 | 4.6 |
| | 67 | 61 | 128.1 | 5.8 | 121.2 | 5.4 | 114.8 | 5.1 | 108.0 | 4.8 | 101.2 | 4.5 | 96.8 | 4.3 |
| | 72 | 66 | 128.1 | 5.4 | 121.2 | 5.1 | 114.8 | 4.8 | 108.0 | 4.5 | 101.2 | 4.2 | 96.8 | 4.0 |
| 75 | 69 | 128.1 | 5.2 | 121.2 | 4.9 | 114.8 | 4.6 | 108.0 | 4.3 | 101.2 | 4.1 | 96.8 | 3.9 | |
| 80 | 74 | 128.1 | 4.9 | 121.2 | 4.6 | 114.8 | 4.4 | 108.0 | 4.1 | 101.2 | 3.8 | 96.8 | 3.7 | |
| 90% | -13 | -14 | 62.5 | 5.5 | 62.3 | 5.6 | 62.2 | 5.8 | 62.0 | 6.0 | 61.9 | 6.1 | 61.8 | 6.3 |
| | -8 | -9 | 66.9 | 5.9 | 66.7 | 6.0 | 66.6 | 6.2 | 66.4 | 6.4 | 66.2 | 6.6 | 66.1 | 6.7 |
| | -3 | -4 | 73.1 | 6.4 | 72.9 | 6.6 | 72.7 | 6.7 | 72.5 | 6.9 | 72.3 | 7.1 | 72.2 | 7.3 |
| | 2 | 1 | 80.4 | 6.9 | 80.2 | 7.1 | 80.0 | 7.3 | 79.8 | 7.5 | 79.6 | 7.7 | 79.5 | 7.9 |
| | 7 | 6 | 88.3 | 7.5 | 88.1 | 7.7 | 87.9 | 7.9 | 87.7 | 8.1 | 87.5 | 8.3 | 87.1 | 8.5 |
| | 12 | 10 | 96.4 | 8.0 | 96.2 | 8.2 | 96.0 | 8.4 | 95.7 | 8.6 | 91.1 | 8.4 | 87.1 | 8.2 |
| | 17 | 15 | 104.3 | 8.4 | 104.1 | 8.6 | 103.3 | 8.8 | 97.2 | 8.5 | 91.1 | 8.2 | 87.1 | 8.0 |
| | 22 | 20 | 111.7 | 8.7 | 109.1 | 8.7 | 103.3 | 8.4 | 97.2 | 8.2 | 91.1 | 7.9 | 87.1 | 7.7 |
| | 27 | 24 | 115.3 | 8.6 | 109.1 | 8.4 | 103.3 | 8.1 | 97.2 | 7.8 | 91.1 | 7.5 | 87.1 | 7.3 |
| | 32 | 29 | 115.3 | 8.3 | 109.1 | 8.0 | 103.3 | 7.8 | 97.2 | 7.5 | 91.1 | 7.1 | 87.1 | 6.7 |
| | 37 | 34 | 115.3 | 7.9 | 109.1 | 7.7 | 103.3 | 7.4 | 97.2 | 7.0 | 91.1 | 6.4 | 87.1 | 6.1 |
| | 42 | 38 | 115.3 | 7.5 | 109.1 | 7.3 | 103.3 | 6.8 | 97.2 | 6.3 | 91.1 | 5.8 | 87.1 | 5.5 |
| | 47 | 43 | 115.3 | 7.1 | 109.1 | 6.6 | 103.3 | 6.2 | 97.2 | 5.8 | 91.1 | 5.3 | 87.1 | 5.0 |
| | 52 | 47 | 115.3 | 6.5 | 109.1 | 6.1 | 103.3 | 5.7 | 97.2 | 5.3 | 91.1 | 4.9 | 87.1 | 4.7 |
| | 57 | 52 | 115.3 | 5.9 | 109.1 | 5.6 | 103.3 | 5.2 | 97.2 | 4.9 | 91.1 | 4.6 | 87.1 | 4.3 |
| | 62 | 56 | 115.3 | 5.5 | 109.1 | 5.2 | 103.3 | 4.9 | 97.2 | 4.6 | 91.1 | 4.2 | 87.1 | 4.0 |
| | 67 | 61 | 115.3 | 5.1 | 109.1 | 4.8 | 103.3 | 4.5 | 97.2 | 4.3 | 91.1 | 4.0 | 87.1 | 3.8 |
| | 72 | 66 | 115.3 | 4.8 | 109.1 | 4.5 | 103.3 | 4.3 | 97.2 | 4.0 | 91.1 | 3.7 | 87.1 | 3.6 |
| 75 | 69 | 115.3 | 4.6 | 109.1 | 4.3 | 103.3 | 4.1 | 97.2 | 3.9 | 91.1 | 3.6 | 87.1 | 3.4 | |
| 80 | 74 | 115.3 | 4.3 | 109.1 | 4.1 | 103.3 | 3.9 | 97.2 | 3.6 | 91.1 | 3.4 | 87.1 | 3.3 | |
| 80% | -13 | -14 | 62.3 | 5.4 | 62.1 | 5.5 | 61.9 | 5.7 | 61.8 | 5.8 | 61.6 | 6.0 | 61.5 | 6.1 |
| | -8 | -9 | 66.6 | 5.8 | 66.5 | 5.9 | 66.3 | 6.1 | 66.1 | 6.3 | 66.0 | 6.4 | 65.9 | 6.6 |
| | -3 | -4 | 72.8 | 6.3 | 72.6 | 6.4 | 72.4 | 6.6 | 72.2 | 6.8 | 72.0 | 7.0 | 71.9 | 7.1 |
| | 2 | 1 | 80.1 | 6.8 | 79.9 | 7.0 | 79.7 | 7.2 | 79.5 | 7.4 | 79.3 | 7.6 | 77.4 | 7.6 |
| | 7 | 6 | 88.0 | 7.3 | 87.8 | 7.5 | 87.6 | 7.7 | 86.4 | 7.9 | 80.9 | 7.6 | 77.4 | 7.4 |
| | 12 | 10 | 96.1 | 7.8 | 95.8 | 8.0 | 91.9 | 7.9 | 86.4 | 7.7 | 80.9 | 7.4 | 77.4 | 7.2 |
| | 17 | 15 | 102.5 | 8.1 | 97.0 | 7.9 | 91.9 | 7.7 | 86.4 | 7.4 | 80.9 | 7.2 | 77.4 | 7.0 |
| | 22 | 20 | 102.5 | 7.8 | 97.0 | 7.6 | 91.9 | 7.4 | 86.4 | 7.2 | 80.9 | 6.9 | 77.4 | 6.7 |
| | 27 | 24 | 102.5 | 7.6 | 97.0 | 7.3 | 91.9 | 7.1 | 86.4 | 6.9 | 80.9 | 6.6 | 77.4 | 6.4 |
| | 32 | 29 | 102.5 | 7.2 | 97.0 | 7.0 | 91.9 | 6.8 | 86.4 | 6.6 | 80.9 | 6.3 | 77.4 | 5.9 |
| | 37 | 34 | 102.5 | 6.9 | 97.0 | 6.7 | 91.9 | 6.5 | 86.4 | 6.1 | 80.9 | 5.6 | 77.4 | 5.3 |
| | 42 | 38 | 102.5 | 6.6 | 97.0 | 6.4 | 91.9 | 6.0 | 86.4 | 5.5 | 80.9 | 5.1 | 77.4 | 4.8 |
| | 47 | 43 | 102.5 | 6.2 | 97.0 | 5.8 | 91.9 | 5.4 | 86.4 | 5.0 | 80.9 | 4.7 | 77.4 | 4.4 |
| | 52 | 47 | 102.5 | 5.7 | 97.0 | 5.3 | 91.9 | 5.0 | 86.4 | 4.6 | 80.9 | 4.3 | 77.4 | 4.1 |
| | 57 | 52 | 102.5 | 5.2 | 97.0 | 4.9 | 91.9 | 4.6 | 86.4 | 4.3 | 80.9 | 4.0 | 77.4 | 3.8 |
| | 62 | 56 | 102.5 | 4.8 | 97.0 | 4.5 | 91.9 | 4.3 | 86.4 | 4.0 | 80.9 | 3.7 | 77.4 | 3.5 |
| | 67 | 61 | 102.5 | 4.5 | 97.0 | 4.2 | 91.9 | 4.0 | 86.4 | 3.7 | 80.9 | 3.5 | 77.4 | 3.3 |
| | 72 | 66 | 102.5 | 4.2 | 97.0 | 3.9 | 91.9 | 3.7 | 86.4 | 3.5 | 80.9 | 3.3 | 77.4 | 3.1 |
| 75 | 69 | 102.5 | 4.0 | 97.0 | 3.8 | 91.9 | 3.6 | 86.4 | 3.4 | 80.9 | 3.2 | 77.4 | 3.0 | |
| 80 | 74 | 102.5 | 3.8 | 97.0 | 3.6 | 91.9 | 3.4 | 86.4 | 3.2 | 80.9 | 3.0 | 77.4 | 2.9 | |

NOTE - Power Input = Compressor + Outdoor Fan Motor.
 MBH = 1000 BTUs per hour.

HEATING CAPACITY - SINGLE MODULE | VRB096H4

| Combination (%) | Outdoor Temperature (°F) | | Indoor Temperature - °F Dry Bulb | | | | | | | | | | | |
|-----------------|--------------------------|----------|----------------------------------|-------------|------------|-------------|------------|-------------|------------|-------------|------------|-------------|------------|-------------|
| | | | 61 | | 64 | | 67 | | 70 | | 73 | | 75 | |
| | Dry Bulb | Wet Bulb | Total Cap. | Power Input | Total Cap. | Power Input | Total Cap. | Power Input | Total Cap. | Power Input | Total Cap. | Power Input | Total Cap. | Power Input |
| | | | MBH | kW | MBH | kW | MBH | kW | MBH | kW | MBH | kW | MBH | kW |
| 70% | -13 | -14 | 62.0 | 5.3 | 61.8 | 5.4 | 61.7 | 5.6 | 61.5 | 5.7 | 61.4 | 5.9 | 61.3 | 6.0 |
| | -8 | -9 | 66.4 | 5.7 | 66.2 | 5.8 | 66.0 | 6.0 | 65.9 | 6.1 | 65.7 | 6.3 | 65.6 | 6.5 |
| | -3 | -4 | 72.5 | 6.1 | 72.3 | 6.3 | 72.1 | 6.5 | 71.9 | 6.7 | 70.8 | 6.8 | 67.7 | 6.6 |
| | 2 | 1 | 79.8 | 6.7 | 79.5 | 6.9 | 79.4 | 7.0 | 75.6 | 6.9 | 70.8 | 6.7 | 67.7 | 6.5 |
| | 7 | 6 | 87.6 | 7.2 | 84.9 | 7.2 | 80.4 | 7.0 | 75.6 | 6.8 | 70.8 | 6.5 | 67.7 | 6.4 |
| | 12 | 10 | 89.7 | 7.2 | 84.9 | 7.0 | 80.4 | 6.8 | 75.6 | 6.6 | 70.8 | 6.4 | 67.7 | 6.2 |
| | 17 | 15 | 89.7 | 7.0 | 84.9 | 6.8 | 80.4 | 6.6 | 75.6 | 6.4 | 70.8 | 6.2 | 67.7 | 6.0 |
| | 22 | 20 | 89.7 | 6.8 | 84.9 | 6.6 | 80.4 | 6.4 | 75.6 | 6.2 | 70.8 | 5.9 | 67.7 | 5.8 |
| | 27 | 24 | 89.7 | 6.5 | 84.9 | 6.3 | 80.4 | 6.1 | 75.6 | 5.9 | 70.8 | 5.7 | 67.7 | 5.5 |
| | 32 | 29 | 89.7 | 6.2 | 84.9 | 6.1 | 80.4 | 5.9 | 75.6 | 5.7 | 70.8 | 5.4 | 67.7 | 5.1 |
| | 37 | 34 | 89.7 | 6.0 | 84.9 | 5.8 | 80.4 | 5.6 | 75.6 | 5.3 | 70.8 | 4.8 | 67.7 | 4.6 |
| | 42 | 38 | 89.7 | 5.7 | 84.9 | 5.5 | 80.4 | 5.2 | 75.6 | 4.8 | 70.8 | 4.4 | 67.7 | 4.2 |
| | 47 | 43 | 89.7 | 5.4 | 84.9 | 5.0 | 80.4 | 4.7 | 75.6 | 4.3 | 70.8 | 4.0 | 67.7 | 3.8 |
| | 52 | 47 | 89.7 | 4.9 | 84.9 | 4.6 | 80.4 | 4.3 | 75.6 | 4.0 | 70.8 | 3.7 | 67.7 | 3.5 |
| | 57 | 52 | 89.7 | 4.5 | 84.9 | 4.2 | 80.4 | 4.0 | 75.6 | 3.7 | 70.8 | 3.4 | 67.7 | 3.3 |
| | 62 | 56 | 89.7 | 4.1 | 84.9 | 3.9 | 80.4 | 3.7 | 75.6 | 3.4 | 70.8 | 3.2 | 67.7 | 3.1 |
| | 67 | 61 | 89.7 | 3.9 | 84.9 | 3.6 | 80.4 | 3.4 | 75.6 | 3.2 | 70.8 | 3.0 | 67.7 | 2.9 |
| | 72 | 66 | 89.7 | 3.6 | 84.9 | 3.4 | 80.4 | 3.2 | 75.6 | 3.0 | 70.8 | 2.8 | 67.7 | 2.7 |
| | 75 | 69 | 89.7 | 3.5 | 84.9 | 3.3 | 80.4 | 3.1 | 75.6 | 2.9 | 70.8 | 2.7 | 67.7 | 2.6 |
| | 80 | 74 | 89.7 | 3.3 | 84.9 | 3.1 | 80.4 | 2.9 | 75.6 | 2.8 | 70.8 | 2.6 | 67.7 | 2.5 |
| 60% | -13 | -14 | 61.8 | 5.2 | 61.6 | 5.3 | 61.4 | 5.5 | 61.3 | 5.6 | 60.7 | 5.8 | 58.1 | 5.6 |
| | -8 | -9 | 66.1 | 5.6 | 65.9 | 5.7 | 65.8 | 5.9 | 64.8 | 6.0 | 60.7 | 5.8 | 58.1 | 5.6 |
| | -3 | -4 | 72.2 | 6.0 | 72.0 | 6.2 | 68.9 | 6.1 | 64.8 | 5.9 | 60.7 | 5.7 | 58.1 | 5.6 |
| | 2 | 1 | 76.8 | 6.3 | 72.7 | 6.2 | 68.9 | 6.0 | 64.8 | 5.8 | 60.7 | 5.6 | 58.1 | 5.5 |
| | 7 | 6 | 76.8 | 6.2 | 72.7 | 6.1 | 68.9 | 5.9 | 64.8 | 5.7 | 60.7 | 5.5 | 58.1 | 5.4 |
| | 12 | 10 | 76.8 | 6.1 | 72.7 | 5.9 | 68.9 | 5.8 | 64.8 | 5.6 | 60.7 | 5.4 | 58.1 | 5.3 |
| | 17 | 15 | 76.8 | 5.9 | 72.7 | 5.7 | 68.9 | 5.6 | 64.8 | 5.4 | 60.7 | 5.2 | 58.1 | 5.1 |
| | 22 | 20 | 76.8 | 5.7 | 72.7 | 5.6 | 68.9 | 5.4 | 64.8 | 5.2 | 60.7 | 5.0 | 58.1 | 4.9 |
| | 27 | 24 | 76.8 | 5.5 | 72.7 | 5.3 | 68.9 | 5.2 | 64.8 | 5.0 | 60.7 | 4.8 | 58.1 | 4.7 |
| | 32 | 29 | 76.8 | 5.3 | 72.7 | 5.1 | 68.9 | 5.0 | 64.8 | 4.8 | 60.7 | 4.6 | 58.1 | 4.3 |
| | 37 | 34 | 76.8 | 5.0 | 72.7 | 4.9 | 68.9 | 4.7 | 64.8 | 4.5 | 60.7 | 4.1 | 58.1 | 3.9 |
| | 42 | 38 | 76.8 | 4.8 | 72.7 | 4.7 | 68.9 | 4.4 | 64.8 | 4.0 | 60.7 | 3.7 | 58.1 | 3.5 |
| | 47 | 43 | 76.8 | 4.5 | 72.7 | 4.2 | 68.9 | 4.0 | 64.8 | 3.7 | 60.7 | 3.4 | 58.1 | 3.2 |
| | 52 | 47 | 76.8 | 4.1 | 72.7 | 3.9 | 68.9 | 3.6 | 64.8 | 3.4 | 60.7 | 3.1 | 58.1 | 3.0 |
| | 57 | 52 | 76.8 | 3.8 | 72.7 | 3.6 | 68.9 | 3.3 | 64.8 | 3.1 | 60.7 | 2.9 | 58.1 | 2.8 |
| | 62 | 56 | 76.8 | 3.5 | 72.7 | 3.3 | 68.9 | 3.1 | 64.8 | 2.9 | 60.7 | 2.7 | 58.1 | 2.6 |
| | 67 | 61 | 76.8 | 3.3 | 72.7 | 3.1 | 68.9 | 2.9 | 64.8 | 2.7 | 60.7 | 2.5 | 58.1 | 2.4 |
| | 72 | 66 | 76.8 | 3.0 | 72.7 | 2.9 | 68.9 | 2.7 | 64.8 | 2.6 | 60.7 | 2.4 | 58.1 | 2.3 |
| | 75 | 69 | 76.8 | 2.9 | 72.7 | 2.8 | 68.9 | 2.6 | 64.8 | 2.5 | 60.7 | 2.3 | 58.1 | 2.2 |
| | 80 | 74 | 76.8 | 2.8 | 72.7 | 2.6 | 68.9 | 2.5 | 64.8 | 2.3 | 60.7 | 2.2 | 58.1 | 2.1 |
| 50% | -13 | -14 | 61.5 | 5.1 | 60.6 | 5.2 | 57.4 | 5.0 | 54.0 | 4.9 | 50.6 | 4.7 | 48.4 | 4.6 |
| | -8 | -9 | 64.0 | 5.3 | 60.6 | 5.2 | 57.4 | 5.0 | 54.0 | 4.9 | 50.6 | 4.7 | 48.4 | 4.6 |
| | -3 | -4 | 64.0 | 5.3 | 60.6 | 5.1 | 57.4 | 5.0 | 54.0 | 4.9 | 50.6 | 4.7 | 48.4 | 4.6 |
| | 2 | 1 | 64.0 | 5.2 | 60.6 | 5.1 | 57.4 | 4.9 | 54.0 | 4.8 | 50.6 | 4.6 | 48.4 | 4.5 |
| | 7 | 6 | 64.0 | 5.1 | 60.6 | 5.0 | 57.4 | 4.9 | 54.0 | 4.7 | 50.6 | 4.5 | 48.4 | 4.4 |
| | 12 | 10 | 64.0 | 5.0 | 60.6 | 4.9 | 57.4 | 4.7 | 54.0 | 4.6 | 50.6 | 4.4 | 48.4 | 4.3 |
| | 17 | 15 | 64.0 | 4.9 | 60.6 | 4.7 | 57.4 | 4.6 | 54.0 | 4.4 | 50.6 | 4.3 | 48.4 | 4.2 |
| | 22 | 20 | 64.0 | 4.7 | 60.6 | 4.6 | 57.4 | 4.4 | 54.0 | 4.3 | 50.6 | 4.1 | 48.4 | 4.0 |
| | 27 | 24 | 64.0 | 4.5 | 60.6 | 4.4 | 57.4 | 4.3 | 54.0 | 4.1 | 50.6 | 4.0 | 48.4 | 3.9 |
| | 32 | 29 | 64.0 | 4.3 | 60.6 | 4.2 | 57.4 | 4.1 | 54.0 | 3.9 | 50.6 | 3.7 | 48.4 | 3.5 |
| | 37 | 34 | 64.0 | 4.1 | 60.6 | 4.0 | 57.4 | 3.9 | 54.0 | 3.7 | 50.6 | 3.4 | 48.4 | 3.2 |
| | 42 | 38 | 64.0 | 4.0 | 60.6 | 3.8 | 57.4 | 3.6 | 54.0 | 3.3 | 50.6 | 3.1 | 48.4 | 2.9 |
| | 47 | 43 | 64.0 | 3.7 | 60.6 | 3.5 | 57.4 | 3.3 | 54.0 | 3.0 | 50.6 | 2.8 | 48.4 | 2.6 |
| | 52 | 47 | 64.0 | 3.4 | 60.6 | 3.2 | 57.4 | 3.0 | 54.0 | 2.8 | 50.6 | 2.6 | 48.4 | 2.4 |
| | 57 | 52 | 64.0 | 3.1 | 60.6 | 2.9 | 57.4 | 2.8 | 54.0 | 2.6 | 50.6 | 2.4 | 48.4 | 2.3 |
| | 62 | 56 | 64.0 | 2.9 | 60.6 | 2.7 | 57.4 | 2.6 | 54.0 | 2.4 | 50.6 | 2.2 | 48.4 | 2.1 |
| | 67 | 61 | 64.0 | 2.7 | 60.6 | 2.5 | 57.4 | 2.4 | 54.0 | 2.2 | 50.6 | 2.1 | 48.4 | 2.0 |
| | 72 | 66 | 64.0 | 2.5 | 60.6 | 2.4 | 57.4 | 2.2 | 54.0 | 2.1 | 50.6 | 2.0 | 48.4 | 1.9 |
| | 75 | 69 | 64.0 | 2.4 | 60.6 | 2.3 | 57.4 | 2.2 | 54.0 | 2.0 | 50.6 | 1.9 | 48.4 | 1.8 |
| | 80 | 74 | 64.0 | 2.3 | 60.6 | 2.1 | 57.4 | 2.0 | 54.0 | 1.9 | 50.6 | 1.8 | 48.4 | 1.7 |

NOTE - Power Input = Compressor + Outdoor Fan Motor.
 MBH = 1000 BTUs per hour.

COOLING CAPACITY - SINGLE MODULE | VRB120H4

| Combination (%) | Outdoor Temperature °F (Dry Bulb) | Indoor Temperature - °F (Dry Bulb / Wet Bulb) | | | | | | | | | | | |
|-----------------|-----------------------------------|---|-------------|------------|-------------|------------|-------------|------------|-------------|------------|-------------|------------|-------------|
| | | 67 / 57 | | 71 / 60 | | 75 / 63 | | 80 / 67 | | 85 / 71 | | 90 / 75 | |
| | | Total Cap. | Power Input | Total Cap. | Power Input | Total Cap. | Power Input | Total Cap. | Power Input | Total Cap. | Power Input | Total Cap. | Power Input |
| | | MBH | kW | MBH | kW | MBH | kW | MBH | kW | MBH | kW | MBH | kW |
| 130% | -10 | 92.0 | 3.0 | 111.8 | 3.6 | 130.4 | 4.3 | 156.0 | 5.2 | 182.8 | 6.3 | 200.9 | 7.1 |
| | -5 | 92.0 | 3.1 | 111.8 | 3.9 | 130.4 | 4.6 | 156.0 | 5.6 | 182.8 | 6.7 | 190.4 | 7.1 |
| | 10 | 92.0 | 3.2 | 111.8 | 4.0 | 130.4 | 4.7 | 156.0 | 5.7 | 182.8 | 6.8 | 186.7 | 7.1 |
| | 15 | 92.0 | 3.3 | 111.8 | 4.0 | 130.4 | 4.8 | 156.0 | 5.8 | 180.2 | 6.9 | 182.6 | 7.1 |
| | 20 | 92.0 | 3.4 | 111.8 | 4.1 | 130.4 | 4.9 | 156.0 | 5.9 | 176.0 | 6.9 | 178.4 | 7.1 |
| | 25 | 92.0 | 3.4 | 111.8 | 4.2 | 130.4 | 5.0 | 156.0 | 6.1 | 171.7 | 6.8 | 174.1 | 7.1 |
| | 30 | 92.0 | 3.5 | 111.8 | 4.3 | 130.4 | 5.1 | 156.0 | 6.2 | 167.6 | 6.8 | 170.0 | 7.1 |
| | 35 | 92.0 | 3.6 | 111.8 | 4.4 | 130.4 | 5.2 | 156.0 | 6.4 | 163.6 | 6.8 | 166.0 | 7.1 |
| | 40 | 92.0 | 3.7 | 111.8 | 4.5 | 130.4 | 5.4 | 156.0 | 6.5 | 161.1 | 6.9 | 163.5 | 7.2 |
| | 45 | 92.0 | 3.8 | 111.8 | 4.6 | 130.4 | 5.5 | 156.0 | 6.7 | 160.1 | 7.0 | 162.5 | 7.3 |
| | 50 | 92.0 | 3.9 | 111.8 | 4.8 | 130.4 | 5.6 | 156.0 | 6.9 | 159.3 | 7.2 | 161.7 | 7.4 |
| | 55 | 92.0 | 4.0 | 111.8 | 4.9 | 130.4 | 5.8 | 156.0 | 7.0 | 158.7 | 7.3 | 161.1 | 7.6 |
| | 60 | 92.0 | 4.1 | 111.8 | 5.0 | 130.4 | 5.9 | 156.0 | 7.2 | 158.9 | 7.5 | 160.6 | 7.8 |
| | 65 | 92.0 | 4.2 | 111.8 | 5.2 | 130.4 | 6.1 | 156.0 | 7.4 | 157.1 | 7.7 | 160.1 | 8.0 |
| | 70 | 92.0 | 4.6 | 111.8 | 5.6 | 130.4 | 6.6 | 156.0 | 8.1 | 156.4 | 8.3 | 159.4 | 8.7 |
| | 75 | 92.0 | 5.0 | 111.8 | 6.2 | 130.4 | 7.3 | 153.0 | 8.7 | 155.4 | 9.0 | 158.4 | 9.4 |
| | 80 | 92.0 | 5.5 | 111.8 | 6.8 | 130.4 | 8.0 | 151.5 | 9.5 | 153.9 | 9.8 | 156.9 | 10.3 |
| | 85 | 92.0 | 6.0 | 111.8 | 7.4 | 130.4 | 8.8 | 149.2 | 10.2 | 151.6 | 10.6 | 154.5 | 11.1 |
| | 90 | 92.0 | 6.6 | 111.8 | 8.1 | 130.4 | 9.6 | 145.7 | 10.9 | 148.1 | 11.4 | 151.0 | 11.9 |
| | 95 | 92.0 | 7.2 | 111.8 | 8.9 | 130.4 | 10.5 | 133.0 | 10.9 | 135.4 | 11.4 | 137.8 | 11.8 |
| 100 | 92.0 | 7.9 | 111.8 | 9.7 | 124.1 | 10.9 | 126.5 | 11.3 | 128.9 | 11.8 | 131.4 | 12.3 | |
| 105 | 92.0 | 8.5 | 111.8 | 10.4 | 114.8 | 10.8 | 117.2 | 11.3 | 120.6 | 11.9 | 123.0 | 12.4 | |
| 110 | 92.0 | 9.1 | 100.4 | 10.0 | 102.8 | 10.4 | 106.8 | 11.0 | 109.9 | 11.6 | 112.0 | 12.1 | |
| 115 | 84.7 | 8.9 | 87.1 | 9.2 | 90.1 | 9.6 | 93.6 | 10.2 | 96.4 | 10.7 | 98.2 | 11.2 | |
| 118 | 74.9 | 8.0 | 78.2 | 8.5 | 80.9 | 8.9 | 84.0 | 9.4 | 86.5 | 9.9 | 88.2 | 10.3 | |
| 125 | 50.8 | 5.7 | 53.1 | 6.0 | 54.9 | 6.3 | 57.0 | 6.7 | 58.7 | 7.0 | 59.8 | 7.3 | |
| 120% | -10 | 84.9 | 2.7 | 103.2 | 3.3 | 120.4 | 3.9 | 144.0 | 4.8 | 168.7 | 5.7 | 192.4 | 6.7 |
| | -5 | 84.9 | 2.9 | 103.2 | 3.5 | 120.4 | 4.2 | 144.0 | 5.1 | 168.7 | 6.1 | 187.2 | 6.9 |
| | 10 | 84.9 | 2.9 | 103.2 | 3.6 | 120.4 | 4.2 | 144.0 | 5.2 | 168.7 | 6.2 | 183.5 | 6.9 |
| | 15 | 84.9 | 3.0 | 103.2 | 3.7 | 120.4 | 4.3 | 144.0 | 5.3 | 168.7 | 6.3 | 179.4 | 6.9 |
| | 20 | 84.9 | 3.1 | 103.2 | 3.8 | 120.4 | 4.4 | 144.0 | 5.4 | 168.7 | 6.5 | 175.3 | 6.9 |
| | 25 | 84.9 | 3.1 | 103.2 | 3.8 | 120.4 | 4.5 | 144.0 | 5.5 | 168.7 | 6.6 | 171.0 | 6.9 |
| | 30 | 84.9 | 3.2 | 103.2 | 3.9 | 120.4 | 4.6 | 144.0 | 5.7 | 164.5 | 6.6 | 166.9 | 6.9 |
| | 35 | 84.9 | 3.3 | 103.2 | 4.0 | 120.4 | 4.7 | 144.0 | 5.8 | 160.6 | 6.6 | 163.0 | 6.9 |
| | 40 | 84.9 | 3.4 | 103.2 | 4.1 | 120.4 | 4.9 | 144.0 | 5.9 | 158.0 | 6.7 | 160.4 | 6.9 |
| | 45 | 84.9 | 3.4 | 103.2 | 4.2 | 120.4 | 5.0 | 144.0 | 6.1 | 157.0 | 6.8 | 159.4 | 7.0 |
| | 50 | 84.9 | 3.5 | 103.2 | 4.3 | 120.4 | 5.1 | 144.0 | 6.2 | 156.2 | 6.9 | 158.6 | 7.2 |
| | 55 | 84.9 | 3.6 | 103.2 | 4.4 | 120.4 | 5.3 | 144.0 | 6.4 | 155.6 | 7.1 | 158.0 | 7.4 |
| | 60 | 84.9 | 3.7 | 103.2 | 4.6 | 120.4 | 5.4 | 144.0 | 6.6 | 155.7 | 7.3 | 157.6 | 7.5 |
| | 65 | 84.9 | 3.8 | 103.2 | 4.7 | 120.4 | 5.5 | 144.0 | 6.8 | 154.1 | 7.4 | 157.1 | 7.7 |
| | 70 | 84.9 | 4.2 | 103.2 | 5.1 | 120.4 | 6.0 | 144.0 | 7.4 | 153.5 | 8.0 | 156.4 | 8.4 |
| | 75 | 84.9 | 4.6 | 103.2 | 5.6 | 120.4 | 6.6 | 144.0 | 8.1 | 152.5 | 8.7 | 155.4 | 9.1 |
| | 80 | 84.9 | 5.0 | 103.2 | 6.2 | 120.4 | 7.3 | 144.0 | 8.9 | 151.0 | 9.5 | 153.9 | 9.9 |
| | 85 | 84.9 | 5.5 | 103.2 | 6.8 | 120.4 | 8.0 | 144.0 | 9.7 | 148.7 | 10.3 | 151.6 | 10.7 |
| | 90 | 84.9 | 6.0 | 103.2 | 7.4 | 120.4 | 8.7 | 144.0 | 10.6 | 145.3 | 11.0 | 148.1 | 11.5 |
| | 95 | 84.9 | 6.6 | 103.2 | 8.1 | 120.4 | 9.5 | 133.0 | 10.7 | 135.4 | 11.2 | 137.8 | 11.7 |
| 100 | 84.9 | 7.1 | 103.2 | 8.8 | 120.4 | 10.4 | 126.5 | 11.1 | 128.9 | 11.6 | 131.4 | 12.1 | |
| 105 | 84.9 | 7.7 | 103.2 | 9.5 | 114.8 | 10.7 | 117.2 | 11.1 | 120.6 | 11.7 | 123.0 | 12.2 | |
| 110 | 84.9 | 8.3 | 100.4 | 9.9 | 102.8 | 10.2 | 106.8 | 10.8 | 109.9 | 11.4 | 112.0 | 11.9 | |
| 115 | 84.9 | 8.7 | 87.1 | 9.1 | 90.1 | 9.5 | 93.6 | 10.0 | 96.4 | 10.6 | 98.2 | 11.0 | |
| 118 | 74.9 | 7.9 | 78.2 | 8.4 | 80.9 | 8.8 | 84.0 | 9.3 | 86.5 | 9.8 | 88.2 | 10.2 | |
| 125 | 50.8 | 5.6 | 53.1 | 5.9 | 54.9 | 6.2 | 57.0 | 6.6 | 58.7 | 6.9 | 59.8 | 7.2 | |

NOTE - Power Input = Compressor + Outdoor Fan Motor.
 MBH = 1000 BTUs per hour.

COOLING CAPACITY - SINGLE MODULE | VRB120H4

| Combination (%) | Outdoor Temperature °F (Dry Bulb) | Indoor Temperature - °F (Dry Bulb / Wet Bulb) | | | | | | | | | | | |
|-----------------|-----------------------------------|---|-------------|------------|-------------|------------|-------------|------------|-------------|------------|-------------|------------|-------------|
| | | 67 / 57 | | 71 / 60 | | 75 / 63 | | 80 / 67 | | 85 / 71 | | 90 / 75 | |
| | | Total Cap. | Power Input | Total Cap. | Power Input | Total Cap. | Power Input | Total Cap. | Power Input | Total Cap. | Power Input | Total Cap. | Power Input |
| | | MBH | KW | MBH | KW | MBH | KW | MBH | KW | MBH | KW | MBH | KW |
| 110% | -10 | 77.8 | 2.4 | 94.6 | 3.0 | 110.3 | 3.5 | 132.0 | 4.3 | 154.7 | 5.1 | 176.3 | 6.0 |
| | -5 | 77.8 | 2.6 | 94.6 | 3.2 | 110.3 | 3.7 | 132.0 | 4.6 | 154.7 | 5.5 | 176.3 | 6.4 |
| | 10 | 77.8 | 2.6 | 94.6 | 3.2 | 110.3 | 3.8 | 132.0 | 4.7 | 154.7 | 5.6 | 176.3 | 6.5 |
| | 15 | 77.8 | 2.7 | 94.6 | 3.3 | 110.3 | 3.9 | 132.0 | 4.8 | 154.7 | 5.7 | 176.3 | 6.7 |
| | 20 | 77.8 | 2.8 | 94.6 | 3.4 | 110.3 | 4.0 | 132.0 | 4.9 | 154.7 | 5.8 | 172.2 | 6.7 |
| | 25 | 77.8 | 2.8 | 94.6 | 3.5 | 110.3 | 4.1 | 132.0 | 5.0 | 154.7 | 6.0 | 167.9 | 6.6 |
| | 30 | 77.8 | 2.9 | 94.6 | 3.5 | 110.3 | 4.2 | 132.0 | 5.1 | 154.7 | 6.1 | 163.8 | 6.6 |
| | 35 | 77.8 | 3.0 | 94.6 | 3.6 | 110.3 | 4.3 | 132.0 | 5.2 | 154.7 | 6.3 | 159.9 | 6.6 |
| | 40 | 77.8 | 3.0 | 94.6 | 3.7 | 110.3 | 4.4 | 132.0 | 5.4 | 154.7 | 6.4 | 157.3 | 6.7 |
| | 45 | 77.8 | 3.1 | 94.6 | 3.8 | 110.3 | 4.5 | 132.0 | 5.5 | 154.7 | 6.6 | 156.3 | 6.8 |
| | 50 | 77.8 | 3.2 | 94.6 | 3.9 | 110.3 | 4.6 | 132.0 | 5.6 | 154.7 | 6.7 | 155.6 | 6.9 |
| | 55 | 77.8 | 3.3 | 94.6 | 4.0 | 110.3 | 4.7 | 132.0 | 5.8 | 154.7 | 6.9 | 155.0 | 7.1 |
| | 60 | 77.8 | 3.4 | 94.6 | 4.1 | 110.3 | 4.9 | 132.0 | 5.9 | 152.6 | 7.0 | 154.5 | 7.3 |
| | 65 | 77.8 | 3.4 | 94.6 | 4.2 | 110.3 | 5.0 | 132.0 | 6.1 | 151.1 | 7.1 | 154.0 | 7.5 |
| | 70 | 77.8 | 3.8 | 94.6 | 4.6 | 110.3 | 5.4 | 132.0 | 6.6 | 150.5 | 7.7 | 153.4 | 8.1 |
| | 75 | 77.8 | 4.1 | 94.6 | 5.1 | 110.3 | 6.0 | 132.0 | 7.3 | 149.6 | 8.4 | 152.4 | 8.8 |
| | 80 | 77.8 | 4.5 | 94.6 | 5.6 | 110.3 | 6.6 | 132.0 | 8.0 | 148.1 | 9.2 | 150.9 | 9.6 |
| | 85 | 77.8 | 5.0 | 94.6 | 6.1 | 110.3 | 7.2 | 132.0 | 8.8 | 145.8 | 9.9 | 148.6 | 10.3 |
| | 90 | 77.8 | 5.4 | 94.6 | 6.7 | 110.3 | 7.9 | 132.0 | 9.6 | 142.5 | 10.6 | 145.3 | 11.1 |
| | 95 | 77.8 | 5.9 | 94.6 | 7.3 | 110.3 | 8.6 | 132.0 | 10.5 | 135.4 | 11.0 | 137.8 | 11.5 |
| 100 | 77.8 | 6.5 | 94.6 | 7.9 | 110.3 | 9.4 | 128.5 | 11.1 | 128.9 | 11.4 | 131.4 | 11.9 | |
| 105 | 77.8 | 7.0 | 94.6 | 8.6 | 110.3 | 10.1 | 117.2 | 10.9 | 120.6 | 11.5 | 123.0 | 12.0 | |
| 110 | 77.8 | 7.5 | 94.6 | 9.2 | 102.8 | 10.1 | 106.8 | 10.7 | 109.9 | 11.2 | 112.0 | 11.7 | |
| 115 | 77.8 | 7.9 | 87.1 | 8.9 | 90.1 | 9.3 | 93.6 | 9.9 | 96.4 | 10.4 | 98.2 | 10.9 | |
| 118 | 74.9 | 7.8 | 78.2 | 8.2 | 80.9 | 8.6 | 84.0 | 9.1 | 86.5 | 9.6 | 88.2 | 10.0 | |
| 125 | 50.8 | 5.5 | 53.1 | 5.8 | 54.9 | 6.1 | 57.0 | 6.5 | 58.7 | 6.8 | 59.8 | 7.1 | |
| 100% | -10 | 70.7 | 2.2 | 86.0 | 2.7 | 100.3 | 3.2 | 120.0 | 3.8 | 140.6 | 4.6 | 160.3 | 5.4 |
| | -5 | 70.7 | 2.3 | 86.0 | 2.8 | 100.3 | 3.4 | 120.0 | 4.1 | 140.6 | 4.9 | 160.3 | 5.7 |
| | 10 | 70.7 | 2.4 | 86.0 | 2.9 | 100.3 | 3.4 | 120.0 | 4.2 | 140.6 | 5.0 | 160.3 | 5.8 |
| | 15 | 70.7 | 2.4 | 86.0 | 3.0 | 100.3 | 3.5 | 120.0 | 4.3 | 140.6 | 5.1 | 160.3 | 6.0 |
| | 20 | 70.7 | 2.5 | 86.0 | 3.0 | 100.3 | 3.6 | 120.0 | 4.4 | 140.6 | 5.2 | 160.1 | 6.1 |
| | 25 | 70.7 | 2.5 | 86.0 | 3.1 | 100.3 | 3.7 | 120.0 | 4.5 | 140.6 | 5.3 | 158.5 | 6.2 |
| | 30 | 70.7 | 2.6 | 86.0 | 3.2 | 100.3 | 3.7 | 120.0 | 4.6 | 140.6 | 5.5 | 156.9 | 6.3 |
| | 35 | 70.7 | 2.6 | 86.0 | 3.3 | 100.3 | 3.8 | 120.0 | 4.7 | 140.6 | 5.6 | 155.5 | 6.3 |
| | 40 | 70.7 | 2.7 | 86.0 | 3.3 | 100.3 | 3.9 | 120.0 | 4.8 | 140.6 | 5.7 | 154.3 | 6.5 |
| | 45 | 70.7 | 2.8 | 86.0 | 3.4 | 100.3 | 4.0 | 120.0 | 4.9 | 140.6 | 5.9 | 153.3 | 6.6 |
| | 50 | 70.7 | 2.8 | 86.0 | 3.5 | 100.3 | 4.1 | 120.0 | 5.0 | 140.6 | 6.0 | 152.5 | 6.7 |
| | 55 | 70.7 | 2.9 | 86.0 | 3.6 | 100.3 | 4.2 | 120.0 | 5.2 | 140.6 | 6.2 | 152.0 | 6.9 |
| | 60 | 70.7 | 3.0 | 86.0 | 3.7 | 100.3 | 4.4 | 120.0 | 5.3 | 140.6 | 6.4 | 151.5 | 7.0 |
| | 65 | 70.7 | 3.1 | 86.0 | 3.8 | 100.3 | 4.5 | 120.0 | 5.5 | 140.6 | 6.5 | 151.0 | 7.2 |
| | 70 | 70.7 | 3.4 | 86.0 | 4.1 | 100.3 | 4.9 | 120.0 | 5.9 | 140.6 | 7.1 | 150.4 | 7.8 |
| | 75 | 70.7 | 3.7 | 86.0 | 4.5 | 100.3 | 5.4 | 120.0 | 6.5 | 140.6 | 7.8 | 149.5 | 8.5 |
| | 80 | 70.7 | 4.0 | 86.0 | 5.0 | 100.3 | 5.9 | 120.0 | 7.2 | 140.6 | 8.6 | 148.0 | 9.2 |
| | 85 | 70.7 | 4.4 | 86.0 | 5.5 | 100.3 | 6.4 | 120.0 | 7.9 | 140.6 | 9.4 | 145.7 | 10.0 |
| | 90 | 70.7 | 4.9 | 86.0 | 6.0 | 100.3 | 7.1 | 120.0 | 8.6 | 139.7 | 10.2 | 142.4 | 10.7 |
| | 95 | 70.7 | 5.3 | 86.0 | 6.5 | 100.3 | 7.7 | 120.0 | 9.4 | 135.2 | 10.8 | 137.8 | 11.3 |
| 100 | 70.7 | 5.8 | 86.0 | 7.1 | 100.3 | 8.4 | 120.0 | 10.2 | 128.9 | 11.2 | 131.4 | 11.7 | |
| 105 | 70.7 | 6.2 | 86.0 | 7.7 | 100.3 | 9.1 | 117.2 | 10.8 | 120.6 | 11.3 | 123.0 | 11.8 | |
| 110 | 70.7 | 6.7 | 86.0 | 8.2 | 100.3 | 9.7 | 106.8 | 10.5 | 109.9 | 11.1 | 112.0 | 11.5 | |
| 115 | 70.7 | 7.1 | 86.0 | 8.7 | 90.1 | 9.2 | 93.6 | 9.7 | 96.4 | 10.3 | 98.2 | 10.7 | |
| 118 | 70.7 | 7.3 | 78.2 | 8.1 | 80.9 | 8.5 | 84.0 | 9.0 | 86.5 | 9.5 | 88.2 | 9.9 | |
| 125 | 50.8 | 5.4 | 53.1 | 5.7 | 54.9 | 6.0 | 57.0 | 6.4 | 58.7 | 6.7 | 59.8 | 7.0 | |

NOTE - Power Input = Compressor + Outdoor Fan Motor.
MBH = 1000 BTUs per hour.

COOLING CAPACITY - SINGLE MODULE | VRB120H4

| Combination (%) | Outdoor Temperature °F (Dry Bulb) | Indoor Temperature - °F (Dry Bulb / Wet Bulb) | | | | | | | | | | | |
|-----------------|-----------------------------------|---|-------------|------------|-------------|------------|-------------|------------|-------------|------------|-------------|------------|-------------|
| | | 67 / 57 | | 71 / 60 | | 75 / 63 | | 80 / 67 | | 85 / 71 | | 90 / 75 | |
| | | Total Cap. | Power Input | Total Cap. | Power Input | Total Cap. | Power Input | Total Cap. | Power Input | Total Cap. | Power Input | Total Cap. | Power Input |
| | | MBH | kW | MBH | kW | MBH | kW | MBH | kW | MBH | kW | MBH | kW |
| 90% | -10 | 63.7 | 1.9 | 77.4 | 2.4 | 90.3 | 2.8 | 108.0 | 3.4 | 126.5 | 4.1 | 144.3 | 4.8 |
| | -5 | 63.7 | 2.1 | 77.4 | 2.5 | 90.3 | 3.0 | 108.0 | 3.6 | 126.5 | 4.3 | 144.3 | 5.1 |
| | 10 | 63.7 | 2.1 | 77.4 | 2.6 | 90.3 | 3.0 | 108.0 | 3.7 | 126.5 | 4.4 | 144.3 | 5.2 |
| | 15 | 63.7 | 2.1 | 77.4 | 2.6 | 90.3 | 3.1 | 108.0 | 3.8 | 126.5 | 4.5 | 144.3 | 5.3 |
| | 20 | 63.7 | 2.2 | 77.4 | 2.7 | 90.3 | 3.2 | 108.0 | 3.9 | 126.5 | 4.6 | 144.3 | 5.4 |
| | 25 | 63.7 | 2.2 | 77.4 | 2.8 | 90.3 | 3.2 | 108.0 | 4.0 | 126.5 | 4.7 | 144.3 | 5.5 |
| | 30 | 63.7 | 2.3 | 77.4 | 2.8 | 90.3 | 3.3 | 108.0 | 4.1 | 126.5 | 4.9 | 144.3 | 5.7 |
| | 35 | 63.7 | 2.3 | 77.4 | 2.9 | 90.3 | 3.4 | 108.0 | 4.1 | 126.5 | 5.0 | 144.3 | 5.8 |
| | 40 | 63.7 | 2.4 | 77.4 | 3.0 | 90.3 | 3.5 | 108.0 | 4.2 | 126.5 | 5.1 | 144.3 | 5.9 |
| | 45 | 63.7 | 2.5 | 77.4 | 3.0 | 90.3 | 3.6 | 108.0 | 4.4 | 126.5 | 5.2 | 144.3 | 6.1 |
| | 50 | 63.7 | 2.5 | 77.4 | 3.1 | 90.3 | 3.7 | 108.0 | 4.5 | 126.5 | 5.4 | 144.3 | 6.3 |
| | 55 | 63.7 | 2.6 | 77.4 | 3.2 | 90.3 | 3.8 | 108.0 | 4.6 | 126.5 | 5.5 | 144.3 | 6.4 |
| | 60 | 63.7 | 2.7 | 77.4 | 3.3 | 90.3 | 3.9 | 108.0 | 4.7 | 126.5 | 5.6 | 144.3 | 6.6 |
| | 65 | 63.7 | 2.7 | 77.4 | 3.4 | 90.3 | 4.0 | 108.0 | 4.8 | 126.5 | 5.8 | 144.3 | 6.8 |
| | 70 | 63.7 | 3.0 | 77.4 | 3.7 | 90.3 | 4.3 | 108.0 | 5.3 | 126.5 | 6.3 | 144.3 | 7.4 |
| | 75 | 63.7 | 3.3 | 77.4 | 4.0 | 90.3 | 4.7 | 108.0 | 5.8 | 126.5 | 6.9 | 144.3 | 8.1 |
| | 80 | 63.7 | 3.6 | 77.4 | 4.4 | 90.3 | 5.2 | 108.0 | 6.3 | 126.5 | 7.6 | 144.3 | 8.9 |
| | 85 | 63.7 | 3.9 | 77.4 | 4.8 | 90.3 | 5.7 | 108.0 | 7.0 | 126.5 | 8.3 | 142.8 | 9.6 |
| | 90 | 63.7 | 4.3 | 77.4 | 5.3 | 90.3 | 6.3 | 108.0 | 7.6 | 126.5 | 9.1 | 139.6 | 10.3 |
| | 95 | 63.7 | 4.7 | 77.4 | 5.8 | 90.3 | 6.8 | 108.0 | 8.3 | 126.5 | 10.0 | 137.8 | 11.1 |
| 100 | 63.7 | 5.1 | 77.4 | 6.3 | 90.3 | 7.4 | 108.0 | 9.1 | 126.3 | 10.8 | 131.4 | 11.5 | |
| 105 | 63.7 | 5.5 | 77.4 | 6.8 | 90.3 | 8.0 | 108.0 | 9.8 | 120.6 | 11.2 | 123.0 | 11.7 | |
| 110 | 63.7 | 5.9 | 77.4 | 7.3 | 90.3 | 8.6 | 106.8 | 10.4 | 109.9 | 10.9 | 112.0 | 11.4 | |
| 115 | 63.7 | 6.3 | 77.4 | 7.7 | 90.1 | 9.1 | 93.6 | 9.6 | 96.4 | 10.1 | 98.2 | 10.5 | |
| 118 | 63.7 | 6.4 | 77.4 | 7.9 | 80.9 | 8.4 | 84.0 | 8.9 | 86.5 | 9.3 | 88.2 | 9.7 | |
| 125 | 50.8 | 5.4 | 53.1 | 5.7 | 54.9 | 5.9 | 57.0 | 6.3 | 58.7 | 6.6 | 59.8 | 6.9 | |
| 80% | -10 | 56.6 | 1.7 | 68.8 | 2.1 | 80.2 | 2.5 | 96.0 | 3.0 | 112.5 | 3.6 | 128.2 | 4.2 |
| | -5 | 56.6 | 1.8 | 68.8 | 2.2 | 80.2 | 2.6 | 96.0 | 3.2 | 112.5 | 3.8 | 128.2 | 4.4 |
| | 10 | 56.6 | 1.8 | 68.8 | 2.3 | 80.2 | 2.7 | 96.0 | 3.2 | 112.5 | 3.9 | 128.2 | 4.5 |
| | 15 | 56.6 | 1.9 | 68.8 | 2.3 | 80.2 | 2.7 | 96.0 | 3.3 | 112.5 | 4.0 | 128.2 | 4.6 |
| | 20 | 56.6 | 1.9 | 68.8 | 2.4 | 80.2 | 2.8 | 96.0 | 3.4 | 112.5 | 4.1 | 128.2 | 4.7 |
| | 25 | 56.6 | 2.0 | 68.8 | 2.4 | 80.2 | 2.8 | 96.0 | 3.5 | 112.5 | 4.2 | 128.2 | 4.9 |
| | 30 | 56.6 | 2.0 | 68.8 | 2.5 | 80.2 | 2.9 | 96.0 | 3.5 | 112.5 | 4.3 | 128.2 | 5.0 |
| | 35 | 56.6 | 2.1 | 68.8 | 2.5 | 80.2 | 3.0 | 96.0 | 3.6 | 112.5 | 4.4 | 128.2 | 5.1 |
| | 40 | 56.6 | 2.1 | 68.8 | 2.6 | 80.2 | 3.1 | 96.0 | 3.7 | 112.5 | 4.5 | 128.2 | 5.2 |
| | 45 | 56.6 | 2.2 | 68.8 | 2.7 | 80.2 | 3.1 | 96.0 | 3.8 | 112.5 | 4.6 | 128.2 | 5.3 |
| | 50 | 56.6 | 2.2 | 68.8 | 2.7 | 80.2 | 3.2 | 96.0 | 3.9 | 112.5 | 4.7 | 128.2 | 5.5 |
| | 55 | 56.6 | 2.3 | 68.8 | 2.8 | 80.2 | 3.3 | 96.0 | 4.0 | 112.5 | 4.8 | 128.2 | 5.6 |
| | 60 | 56.6 | 2.3 | 68.8 | 2.9 | 80.2 | 3.4 | 96.0 | 4.1 | 112.5 | 4.9 | 128.2 | 5.8 |
| | 65 | 56.6 | 2.4 | 68.8 | 2.9 | 80.2 | 3.5 | 96.0 | 4.2 | 112.5 | 5.1 | 128.2 | 5.9 |
| | 70 | 56.6 | 2.6 | 68.8 | 3.2 | 80.2 | 3.8 | 96.0 | 4.6 | 112.5 | 5.5 | 128.2 | 6.5 |
| | 75 | 56.6 | 2.9 | 68.8 | 3.5 | 80.2 | 4.2 | 96.0 | 5.1 | 112.5 | 6.1 | 128.2 | 7.1 |
| | 80 | 56.6 | 3.1 | 68.8 | 3.9 | 80.2 | 4.6 | 96.0 | 5.6 | 112.5 | 6.7 | 128.2 | 7.8 |
| | 85 | 56.6 | 3.5 | 68.8 | 4.2 | 80.2 | 5.0 | 96.0 | 6.1 | 112.5 | 7.3 | 128.2 | 8.5 |
| | 90 | 56.6 | 3.8 | 68.8 | 4.6 | 80.2 | 5.5 | 96.0 | 6.7 | 112.5 | 8.0 | 128.2 | 9.4 |
| | 95 | 56.6 | 4.1 | 68.8 | 5.1 | 80.2 | 6.0 | 96.0 | 7.3 | 112.5 | 8.7 | 128.2 | 10.2 |
| 100 | 56.6 | 4.5 | 68.8 | 5.5 | 80.2 | 6.5 | 96.0 | 7.9 | 112.5 | 9.5 | 128.2 | 11.1 | |
| 105 | 56.6 | 4.8 | 68.8 | 6.0 | 80.2 | 7.0 | 96.0 | 8.6 | 112.5 | 10.3 | 123.0 | 11.5 | |
| 110 | 56.6 | 5.2 | 68.8 | 6.4 | 80.2 | 7.5 | 96.0 | 9.2 | 109.9 | 10.7 | 112.0 | 11.2 | |
| 115 | 56.6 | 5.5 | 68.8 | 6.7 | 80.2 | 8.0 | 93.6 | 9.5 | 96.4 | 10.0 | 98.2 | 10.4 | |
| 118 | 56.6 | 5.6 | 68.8 | 6.9 | 80.2 | 8.2 | 84.0 | 8.7 | 86.5 | 9.2 | 88.2 | 9.6 | |
| 125 | 50.8 | 5.3 | 53.1 | 5.6 | 54.9 | 5.8 | 57.0 | 6.2 | 58.7 | 6.5 | 59.8 | 6.8 | |

NOTE - Power Input = Compressor + Outdoor Fan Motor.
 MBH = 1000 BTUs per hour.

COOLING CAPACITY - SINGLE MODULE | VRB120H4

| Combination (%) | Outdoor Temperature °F (Dry Bulb) | Indoor Temperature - °F (Dry Bulb / Wet Bulb) | | | | | | | | | | | |
|-----------------|-----------------------------------|---|-------------|------------|-------------|------------|-------------|------------|-------------|------------|-------------|------------|-------------|
| | | 67 / 57 | | 71 / 60 | | 75 / 63 | | 80 / 67 | | 85 / 71 | | 90 / 75 | |
| | | Total Cap. | Power Input | Total Cap. | Power Input | Total Cap. | Power Input | Total Cap. | Power Input | Total Cap. | Power Input | Total Cap. | Power Input |
| | | MBH | KW | MBH | KW | MBH | KW | MBH | KW | MBH | KW | MBH | KW |
| 70% | -10 | 49.5 | 1.5 | 60.2 | 1.8 | 70.2 | 2.1 | 84.0 | 2.6 | 98.4 | 3.1 | 112.2 | 3.6 |
| | -5 | 49.5 | 1.5 | 60.2 | 1.9 | 70.2 | 2.2 | 84.0 | 2.7 | 98.4 | 3.3 | 112.2 | 3.8 |
| | 10 | 49.5 | 1.6 | 60.2 | 1.9 | 70.2 | 2.3 | 84.0 | 2.8 | 98.4 | 3.4 | 112.2 | 3.9 |
| | 15 | 49.5 | 1.6 | 60.2 | 2.0 | 70.2 | 2.3 | 84.0 | 2.9 | 98.4 | 3.4 | 112.2 | 4.0 |
| | 20 | 49.5 | 1.7 | 60.2 | 2.0 | 70.2 | 2.4 | 84.0 | 2.9 | 98.4 | 3.5 | 112.2 | 4.1 |
| | 25 | 49.5 | 1.7 | 60.2 | 2.1 | 70.2 | 2.5 | 84.0 | 3.0 | 98.4 | 3.6 | 112.2 | 4.2 |
| | 30 | 49.5 | 1.7 | 60.2 | 2.1 | 70.2 | 2.5 | 84.0 | 3.1 | 98.4 | 3.7 | 112.2 | 4.3 |
| | 35 | 49.5 | 1.8 | 60.2 | 2.2 | 70.2 | 2.6 | 84.0 | 3.1 | 98.4 | 3.8 | 112.2 | 4.4 |
| | 40 | 49.5 | 1.8 | 60.2 | 2.2 | 70.2 | 2.6 | 84.0 | 3.2 | 98.4 | 3.8 | 112.2 | 4.5 |
| | 45 | 49.5 | 1.9 | 60.2 | 2.3 | 70.2 | 2.7 | 84.0 | 3.3 | 98.4 | 3.9 | 112.2 | 4.6 |
| | 50 | 49.5 | 1.9 | 60.2 | 2.3 | 70.2 | 2.8 | 84.0 | 3.4 | 98.4 | 4.0 | 112.2 | 4.7 |
| | 55 | 49.5 | 2.0 | 60.2 | 2.4 | 70.2 | 2.8 | 84.0 | 3.5 | 98.4 | 4.2 | 112.2 | 4.8 |
| | 60 | 49.5 | 2.0 | 60.2 | 2.5 | 70.2 | 2.9 | 84.0 | 3.6 | 98.4 | 4.3 | 112.2 | 5.0 |
| | 65 | 49.5 | 2.1 | 60.2 | 2.5 | 70.2 | 3.0 | 84.0 | 3.7 | 98.4 | 4.4 | 112.2 | 5.1 |
| | 70 | 49.5 | 2.2 | 60.2 | 2.8 | 70.2 | 3.3 | 84.0 | 4.0 | 98.4 | 4.8 | 112.2 | 5.6 |
| | 75 | 49.5 | 2.5 | 60.2 | 3.0 | 70.2 | 3.6 | 84.0 | 4.4 | 98.4 | 5.2 | 112.2 | 6.1 |
| | 80 | 49.5 | 2.7 | 60.2 | 3.3 | 70.2 | 3.9 | 84.0 | 4.8 | 98.4 | 5.7 | 112.2 | 6.7 |
| | 85 | 49.5 | 3.0 | 60.2 | 3.7 | 70.2 | 4.3 | 84.0 | 5.3 | 98.4 | 6.3 | 112.2 | 7.4 |
| | 90 | 49.5 | 3.3 | 60.2 | 4.0 | 70.2 | 4.7 | 84.0 | 5.8 | 98.4 | 6.9 | 112.2 | 8.1 |
| | 95 | 49.5 | 3.6 | 60.2 | 4.4 | 70.2 | 5.2 | 84.0 | 6.3 | 98.4 | 7.5 | 112.2 | 8.8 |
| 100 | 49.5 | 3.9 | 60.2 | 4.8 | 70.2 | 5.6 | 84.0 | 6.8 | 98.4 | 8.2 | 112.2 | 9.6 | |
| 105 | 49.5 | 4.2 | 60.2 | 5.1 | 70.2 | 6.1 | 84.0 | 7.4 | 98.4 | 8.9 | 112.2 | 10.3 | |
| 110 | 49.5 | 4.5 | 60.2 | 5.5 | 70.2 | 6.5 | 84.0 | 7.9 | 98.4 | 9.5 | 112.0 | 11.0 | |
| 115 | 49.5 | 4.7 | 60.2 | 5.8 | 70.2 | 6.9 | 84.0 | 8.4 | 96.4 | 9.8 | 98.2 | 10.2 | |
| 118 | 49.5 | 4.9 | 60.2 | 6.0 | 70.2 | 7.1 | 84.0 | 8.6 | 86.5 | 9.1 | 88.2 | 9.5 | |
| 125 | 47.8 | 4.9 | 53.1 | 5.5 | 54.9 | 5.8 | 57.0 | 6.1 | 58.7 | 6.4 | 59.8 | 6.7 | |
| 60% | -10 | 42.4 | 1.2 | 51.6 | 1.5 | 60.2 | 1.8 | 72.0 | 2.2 | 84.4 | 2.6 | 96.2 | 3.0 |
| | -5 | 42.4 | 1.3 | 51.6 | 1.6 | 60.2 | 1.9 | 72.0 | 2.3 | 84.4 | 2.8 | 96.2 | 3.2 |
| | 10 | 42.4 | 1.3 | 51.6 | 1.6 | 60.2 | 1.9 | 72.0 | 2.4 | 84.4 | 2.8 | 96.2 | 3.3 |
| | 15 | 42.4 | 1.4 | 51.6 | 1.7 | 60.2 | 2.0 | 72.0 | 2.4 | 84.4 | 2.9 | 96.2 | 3.4 |
| | 20 | 42.4 | 1.4 | 51.6 | 1.7 | 60.2 | 2.0 | 72.0 | 2.5 | 84.4 | 3.0 | 96.2 | 3.5 |
| | 25 | 42.4 | 1.4 | 51.6 | 1.8 | 60.2 | 2.1 | 72.0 | 2.5 | 84.4 | 3.0 | 96.2 | 3.5 |
| | 30 | 42.4 | 1.5 | 51.6 | 1.8 | 60.2 | 2.1 | 72.0 | 2.6 | 84.4 | 3.1 | 96.2 | 3.6 |
| | 35 | 42.4 | 1.5 | 51.6 | 1.8 | 60.2 | 2.2 | 72.0 | 2.6 | 84.4 | 3.2 | 96.2 | 3.7 |
| | 40 | 42.4 | 1.5 | 51.6 | 1.9 | 60.2 | 2.2 | 72.0 | 2.7 | 84.4 | 3.2 | 96.2 | 3.8 |
| | 45 | 42.4 | 1.6 | 51.6 | 1.9 | 60.2 | 2.3 | 72.0 | 2.8 | 84.4 | 3.3 | 96.2 | 3.9 |
| | 50 | 42.4 | 1.6 | 51.6 | 2.0 | 60.2 | 2.3 | 72.0 | 2.9 | 84.4 | 3.4 | 96.2 | 4.0 |
| | 55 | 42.4 | 1.7 | 51.6 | 2.0 | 60.2 | 2.4 | 72.0 | 2.9 | 84.4 | 3.5 | 96.2 | 4.1 |
| | 60 | 42.4 | 1.7 | 51.6 | 2.1 | 60.2 | 2.5 | 72.0 | 3.0 | 84.4 | 3.6 | 96.2 | 4.2 |
| | 65 | 42.4 | 1.7 | 51.6 | 2.1 | 60.2 | 2.5 | 72.0 | 3.1 | 84.4 | 3.7 | 96.2 | 4.3 |
| | 70 | 42.4 | 1.9 | 51.6 | 2.3 | 60.2 | 2.8 | 72.0 | 3.4 | 84.4 | 4.0 | 96.2 | 4.7 |
| | 75 | 42.4 | 2.1 | 51.6 | 2.6 | 60.2 | 3.0 | 72.0 | 3.7 | 84.4 | 4.4 | 96.2 | 5.2 |
| | 80 | 42.4 | 2.3 | 51.6 | 2.8 | 60.2 | 3.3 | 72.0 | 4.1 | 84.4 | 4.9 | 96.2 | 5.7 |
| | 85 | 42.4 | 2.5 | 51.6 | 3.1 | 60.2 | 3.6 | 72.0 | 4.4 | 84.4 | 5.3 | 96.2 | 6.2 |
| | 90 | 42.4 | 2.8 | 51.6 | 3.4 | 60.2 | 4.0 | 72.0 | 4.9 | 84.4 | 5.8 | 96.2 | 6.8 |
| | 95 | 42.4 | 3.0 | 51.6 | 3.7 | 60.2 | 4.4 | 72.0 | 5.3 | 84.4 | 6.4 | 96.2 | 7.4 |
| 100 | 42.4 | 3.3 | 51.6 | 4.0 | 60.2 | 4.7 | 72.0 | 5.8 | 84.4 | 6.9 | 96.2 | 8.1 | |
| 105 | 42.4 | 3.5 | 51.6 | 4.3 | 60.2 | 5.1 | 72.0 | 6.2 | 84.4 | 7.5 | 96.2 | 8.7 | |
| 110 | 42.4 | 3.8 | 51.6 | 4.6 | 60.2 | 5.5 | 72.0 | 6.7 | 84.4 | 8.0 | 96.2 | 9.3 | |
| 115 | 42.4 | 4.0 | 51.6 | 4.9 | 60.2 | 5.8 | 72.0 | 7.1 | 84.4 | 8.5 | 96.2 | 9.9 | |
| 118 | 42.4 | 4.1 | 51.6 | 5.1 | 60.2 | 6.0 | 72.0 | 7.3 | 84.4 | 8.7 | 88.2 | 9.3 | |
| 125 | 42.4 | 4.3 | 51.6 | 5.3 | 54.9 | 5.7 | 57.0 | 6.0 | 58.7 | 6.3 | 59.8 | 6.6 | |

NOTE - Power Input = Compressor + Outdoor Fan Motor.
 MBH = 1000 BTUs per hour.

COOLING CAPACITY - SINGLE MODULE | VRB120H4

| Combination (%) | Outdoor Temperature °F (Dry Bulb) | Indoor Temperature - °F (Dry Bulb / Wet Bulb) | | | | | | | | | | | |
|-----------------|-----------------------------------|---|-------------|------------|-------------|------------|-------------|------------|-------------|------------|-------------|------------|-------------|
| | | 67 / 57 | | 71 / 60 | | 75 / 63 | | 80 / 67 | | 85 / 71 | | 90 / 75 | |
| | | Total Cap. | Power Input | Total Cap. | Power Input | Total Cap. | Power Input | Total Cap. | Power Input | Total Cap. | Power Input | Total Cap. | Power Input |
| | | MBH | kW | MBH | kW | MBH | kW | MBH | kW | MBH | kW | MBH | kW |
| 50% | -10 | 32.6 | 0.9 | 43.0 | 1.2 | 50.1 | 1.5 | 60.0 | 1.8 | 70.3 | 2.1 | 80.1 | 2.5 |
| | -5 | 35.4 | 1.1 | 43.0 | 1.3 | 50.1 | 1.6 | 60.0 | 1.9 | 70.3 | 2.3 | 80.1 | 2.7 |
| | 10 | 35.4 | 1.1 | 43.0 | 1.4 | 50.1 | 1.6 | 60.0 | 1.9 | 70.3 | 2.3 | 80.1 | 2.7 |
| | 15 | 35.4 | 1.1 | 43.0 | 1.4 | 50.1 | 1.6 | 60.0 | 2.0 | 70.3 | 2.4 | 80.1 | 2.8 |
| | 20 | 35.4 | 1.1 | 43.0 | 1.4 | 50.1 | 1.7 | 60.0 | 2.0 | 70.3 | 2.4 | 80.1 | 2.8 |
| | 25 | 35.4 | 1.2 | 43.0 | 1.4 | 50.1 | 1.7 | 60.0 | 2.1 | 70.3 | 2.5 | 80.1 | 2.9 |
| | 30 | 35.4 | 1.2 | 43.0 | 1.5 | 50.1 | 1.7 | 60.0 | 2.1 | 70.3 | 2.5 | 80.1 | 3.0 |
| | 35 | 35.4 | 1.2 | 43.0 | 1.5 | 50.1 | 1.8 | 60.0 | 2.2 | 70.3 | 2.6 | 80.1 | 3.0 |
| | 40 | 35.4 | 1.3 | 43.0 | 1.5 | 50.1 | 1.8 | 60.0 | 2.2 | 70.3 | 2.7 | 80.1 | 3.1 |
| | 45 | 35.4 | 1.3 | 43.0 | 1.6 | 50.1 | 1.9 | 60.0 | 2.3 | 70.3 | 2.7 | 80.1 | 3.2 |
| | 50 | 35.4 | 1.3 | 43.0 | 1.6 | 50.1 | 1.9 | 60.0 | 2.3 | 70.3 | 2.8 | 80.1 | 3.3 |
| | 55 | 35.4 | 1.4 | 43.0 | 1.7 | 50.1 | 2.0 | 60.0 | 2.4 | 70.3 | 2.9 | 80.1 | 3.4 |
| | 60 | 35.4 | 1.4 | 43.0 | 1.7 | 50.1 | 2.0 | 60.0 | 2.5 | 70.3 | 3.0 | 80.1 | 3.5 |
| | 65 | 35.4 | 1.4 | 43.0 | 1.8 | 50.1 | 2.1 | 60.0 | 2.5 | 70.3 | 3.0 | 80.1 | 3.6 |
| | 70 | 35.4 | 1.6 | 43.0 | 1.9 | 50.1 | 2.3 | 60.0 | 2.8 | 70.3 | 3.3 | 80.1 | 3.9 |
| | 75 | 35.4 | 1.7 | 43.0 | 2.1 | 50.1 | 2.5 | 60.0 | 3.0 | 70.3 | 3.6 | 80.1 | 4.2 |
| | 80 | 35.4 | 1.9 | 43.0 | 2.3 | 50.1 | 2.7 | 60.0 | 3.3 | 70.3 | 4.0 | 80.1 | 4.7 |
| | 85 | 35.4 | 2.1 | 43.0 | 2.5 | 50.1 | 3.0 | 60.0 | 3.7 | 70.3 | 4.4 | 80.1 | 5.1 |
| 90 | 35.4 | 2.3 | 43.0 | 2.8 | 50.1 | 3.3 | 60.0 | 4.0 | 70.3 | 4.8 | 80.1 | 5.6 | |
| 95 | 35.4 | 2.5 | 43.0 | 3.0 | 50.1 | 3.6 | 60.0 | 4.4 | 70.3 | 5.2 | 80.1 | 6.1 | |
| 100 | 35.4 | 2.7 | 43.0 | 3.3 | 50.1 | 3.9 | 60.0 | 4.8 | 70.3 | 5.7 | 80.1 | 6.6 | |
| 105 | 35.4 | 2.9 | 43.0 | 3.6 | 50.1 | 4.2 | 60.0 | 5.1 | 70.3 | 6.1 | 80.1 | 7.2 | |
| 110 | 35.4 | 3.1 | 43.0 | 3.8 | 50.1 | 4.5 | 60.0 | 5.5 | 70.3 | 6.6 | 80.1 | 7.7 | |
| 115 | 35.4 | 3.3 | 43.0 | 4.0 | 50.1 | 4.8 | 60.0 | 5.8 | 70.3 | 7.0 | 80.1 | 8.1 | |
| 118 | 35.4 | 3.4 | 43.0 | 4.2 | 50.1 | 4.9 | 60.0 | 6.0 | 70.3 | 7.2 | 80.1 | 8.4 | |
| 125 | 35.4 | 3.5 | 43.0 | 4.3 | 50.1 | 5.1 | 57.0 | 5.9 | 58.7 | 6.2 | 59.8 | 6.5 | |

NOTE - Power Input = Compressor + Outdoor Fan Motor.
 MBH = 1000 BTUs per hour.

HEATING CAPACITY - SINGLE MODULE | VRB120H4

| Combination (%) | Outdoor Temperature (°F) | | Indoor Temperature - °F Dry Bulb | | | | | | | | | | | |
|-----------------|--------------------------|----------|----------------------------------|-------------|------------|-------------|------------|-------------|------------|-------------|------------|-------------|------------|-------------|
| | | | 61 | | 64 | | 67 | | 70 | | 73 | | 75 | |
| | | | Total Cap. | Power Input | Total Cap. | Power Input | Total Cap. | Power Input | Total Cap. | Power Input | Total Cap. | Power Input | Total Cap. | Power Input |
| | Dry Bulb | Wet Bulb | MBH | kW | MBH | kW | MBH | kW | MBH | kW | MBH | kW | MBH | kW |
| 130% | -13 | -14 | 71.2 | 8.0 | 71.0 | 8.2 | 70.8 | 8.4 | 70.6 | 8.7 | 70.4 | 8.9 | 70.3 | 9.1 |
| | -8 | -9 | 74.6 | 8.4 | 74.4 | 8.6 | 74.2 | 8.8 | 74.0 | 9.1 | 73.8 | 9.4 | 73.7 | 9.5 |
| | -3 | -4 | 79.9 | 8.9 | 79.7 | 9.2 | 79.5 | 9.4 | 79.3 | 9.7 | 79.1 | 10.0 | 79.0 | 10.2 |
| | 2 | 1 | 86.7 | 9.6 | 86.5 | 9.8 | 86.3 | 10.1 | 86.1 | 10.4 | 85.8 | 10.7 | 85.7 | 10.9 |
| | 7 | 6 | 94.4 | 10.2 | 94.2 | 10.5 | 93.9 | 10.8 | 93.7 | 11.1 | 93.4 | 11.4 | 93.3 | 11.6 |
| | 12 | 10 | 102.6 | 10.9 | 102.3 | 11.1 | 102.1 | 11.4 | 101.8 | 11.7 | 101.5 | 12.0 | 101.4 | 12.3 |
| | 17 | 15 | 110.9 | 11.4 | 110.6 | 11.7 | 110.3 | 12.0 | 110.0 | 12.3 | 109.8 | 12.6 | 109.6 | 12.8 |
| | 22 | 20 | 119.0 | 11.8 | 118.7 | 12.1 | 118.4 | 12.4 | 118.1 | 12.7 | 117.8 | 13.0 | 117.6 | 13.2 |
| | 27 | 24 | 126.6 | 12.1 | 126.3 | 12.4 | 126.0 | 12.7 | 125.6 | 13.0 | 125.3 | 13.3 | 125.1 | 13.5 |
| | 32 | 29 | 133.5 | 12.3 | 133.2 | 12.5 | 132.9 | 12.8 | 132.5 | 13.1 | 132.3 | 13.3 | 132.0 | 13.0 |
| | 37 | 34 | 139.7 | 12.3 | 139.3 | 12.5 | 139.0 | 12.8 | 138.7 | 12.8 | 138.4 | 12.5 | 138.1 | 12.3 |
| | 42 | 38 | 144.8 | 12.1 | 144.6 | 12.4 | 144.3 | 12.2 | 144.0 | 12.0 | 143.7 | 11.7 | 143.5 | 11.6 |
| | 47 | 43 | 153.8 | 12.1 | 153.6 | 11.9 | 153.3 | 11.8 | 153.0 | 11.6 | 152.8 | 11.4 | 152.5 | 11.3 |
| | 52 | 47 | 169.3 | 12.2 | 169.1 | 12.0 | 168.8 | 11.9 | 168.5 | 11.7 | 164.4 | 11.3 | 157.2 | 10.8 |
| | 57 | 52 | 184.2 | 12.1 | 184.0 | 12.0 | 183.7 | 11.9 | 175.5 | 11.3 | 164.4 | 10.5 | 157.2 | 10.0 |
| | 62 | 56 | 198.5 | 12.1 | 197.0 | 11.9 | 186.6 | 11.2 | 175.5 | 10.5 | 164.4 | 9.8 | 157.2 | 9.3 |
| | 67 | 61 | 208.1 | 11.8 | 197.0 | 11.1 | 186.6 | 10.5 | 175.5 | 9.8 | 164.4 | 9.2 | 157.2 | 8.8 |
| | 72 | 66 | 208.1 | 11.0 | 197.0 | 10.4 | 186.6 | 9.8 | 175.5 | 9.2 | 164.4 | 8.6 | 157.2 | 8.2 |
| | 75 | 69 | 208.1 | 10.6 | 197.0 | 10.0 | 186.6 | 9.5 | 175.5 | 8.9 | 164.4 | 8.3 | 157.2 | 8.0 |
| | 80 | 74 | 208.1 | 10.0 | 197.0 | 9.4 | 186.6 | 8.9 | 175.5 | 8.4 | 164.4 | 7.9 | 157.2 | 7.5 |
| 120% | -13 | -14 | 70.9 | 7.8 | 70.7 | 8.1 | 70.5 | 8.3 | 70.3 | 8.5 | 70.2 | 8.8 | 70.0 | 8.9 |
| | -8 | -9 | 74.3 | 8.2 | 74.1 | 8.4 | 73.9 | 8.7 | 73.7 | 8.9 | 73.5 | 9.2 | 73.4 | 9.4 |
| | -3 | -4 | 79.6 | 8.8 | 79.4 | 9.0 | 79.2 | 9.2 | 79.0 | 9.5 | 78.8 | 9.8 | 78.7 | 10.0 |
| | 2 | 1 | 86.4 | 9.4 | 86.1 | 9.6 | 85.9 | 9.9 | 85.7 | 10.2 | 85.5 | 10.5 | 85.4 | 10.7 |
| | 7 | 6 | 94.0 | 10.0 | 93.8 | 10.3 | 93.6 | 10.5 | 93.3 | 10.8 | 93.1 | 11.2 | 92.9 | 11.4 |
| | 12 | 10 | 102.2 | 10.6 | 101.9 | 10.9 | 101.7 | 11.2 | 101.4 | 11.5 | 101.1 | 11.8 | 101.0 | 12.0 |
| | 17 | 15 | 110.4 | 11.2 | 110.2 | 11.4 | 109.9 | 11.7 | 109.6 | 12.0 | 109.3 | 12.3 | 109.1 | 12.6 |
| | 22 | 20 | 118.5 | 11.6 | 118.2 | 11.9 | 117.9 | 12.1 | 117.6 | 12.4 | 117.3 | 12.8 | 117.1 | 13.0 |
| | 27 | 24 | 126.1 | 11.9 | 125.8 | 12.1 | 125.5 | 12.4 | 125.2 | 12.7 | 124.8 | 13.0 | 124.6 | 13.2 |
| | 32 | 29 | 133.0 | 12.0 | 132.7 | 12.3 | 132.4 | 12.5 | 132.0 | 12.8 | 131.7 | 13.0 | 131.5 | 12.8 |
| | 37 | 34 | 139.1 | 12.0 | 138.7 | 12.3 | 138.4 | 12.5 | 138.1 | 12.5 | 137.9 | 12.2 | 137.6 | 12.0 |
| | 42 | 38 | 144.3 | 11.9 | 144.0 | 12.1 | 143.7 | 12.0 | 143.4 | 11.7 | 143.2 | 11.5 | 142.9 | 11.4 |
| | 47 | 43 | 153.8 | 11.9 | 153.6 | 11.8 | 153.3 | 11.6 | 153.0 | 11.4 | 151.8 | 11.2 | 145.1 | 10.6 |
| | 52 | 47 | 169.3 | 12.0 | 169.1 | 11.8 | 168.8 | 11.7 | 162.0 | 11.1 | 151.8 | 10.3 | 145.1 | 9.8 |
| | 57 | 52 | 184.2 | 12.0 | 181.9 | 11.7 | 172.2 | 11.0 | 162.0 | 10.3 | 151.8 | 9.6 | 145.1 | 9.1 |
| | 62 | 56 | 192.1 | 11.5 | 181.9 | 10.8 | 172.2 | 10.2 | 162.0 | 9.6 | 151.8 | 8.9 | 145.1 | 8.5 |
| | 67 | 61 | 192.1 | 10.7 | 181.9 | 10.1 | 172.2 | 9.5 | 162.0 | 8.9 | 151.8 | 8.3 | 145.1 | 8.0 |
| | 72 | 66 | 192.1 | 10.0 | 181.9 | 9.5 | 172.2 | 8.9 | 162.0 | 8.4 | 151.8 | 7.8 | 145.1 | 7.5 |
| | 75 | 69 | 192.1 | 9.6 | 181.9 | 9.1 | 172.2 | 8.6 | 162.0 | 8.1 | 151.8 | 7.6 | 145.1 | 7.2 |
| | 80 | 74 | 192.1 | 9.0 | 181.9 | 8.6 | 172.2 | 8.1 | 162.0 | 7.6 | 151.8 | 7.2 | 145.1 | 6.9 |
| 110% | -13 | -14 | 70.6 | 7.7 | 70.4 | 7.9 | 70.2 | 8.1 | 70.1 | 8.3 | 69.9 | 8.6 | 69.8 | 8.8 |
| | -8 | -9 | 74.0 | 8.1 | 73.8 | 8.3 | 73.6 | 8.5 | 73.4 | 8.7 | 73.2 | 9.0 | 73.1 | 9.2 |
| | -3 | -4 | 79.3 | 8.6 | 79.1 | 8.8 | 78.9 | 9.0 | 78.7 | 9.3 | 78.5 | 9.6 | 78.4 | 9.8 |
| | 2 | 1 | 86.0 | 9.2 | 85.8 | 9.4 | 85.6 | 9.7 | 85.4 | 10.0 | 85.2 | 10.3 | 85.0 | 10.5 |
| | 7 | 6 | 93.7 | 9.8 | 93.4 | 10.1 | 93.2 | 10.3 | 93.0 | 10.6 | 92.7 | 10.9 | 92.6 | 11.1 |
| | 12 | 10 | 101.8 | 10.4 | 101.5 | 10.7 | 101.3 | 11.0 | 101.0 | 11.3 | 100.7 | 11.6 | 100.6 | 11.8 |
| | 17 | 15 | 110.0 | 11.0 | 109.7 | 11.2 | 109.5 | 11.5 | 109.2 | 11.8 | 108.9 | 12.1 | 108.7 | 12.3 |
| | 22 | 20 | 118.0 | 11.4 | 117.7 | 11.6 | 117.4 | 11.9 | 117.1 | 12.2 | 116.8 | 12.5 | 116.7 | 12.7 |
| | 27 | 24 | 125.6 | 11.6 | 125.3 | 11.9 | 125.0 | 12.2 | 124.7 | 12.5 | 124.3 | 12.8 | 124.3 | 13.0 |
| | 32 | 29 | 132.5 | 11.8 | 132.1 | 12.0 | 131.8 | 12.3 | 131.5 | 12.6 | 131.2 | 12.8 | 131.0 | 12.5 |
| | 37 | 34 | 138.5 | 11.8 | 138.2 | 12.0 | 137.9 | 12.3 | 137.6 | 12.3 | 137.3 | 12.0 | 133.0 | 11.5 |
| | 42 | 38 | 143.7 | 11.7 | 143.4 | 11.9 | 143.1 | 11.7 | 142.9 | 11.5 | 139.1 | 11.0 | 133.0 | 10.4 |
| | 47 | 43 | 153.8 | 11.8 | 153.6 | 11.6 | 153.3 | 11.4 | 148.5 | 10.9 | 139.1 | 10.1 | 133.0 | 9.6 |
| | 52 | 47 | 169.3 | 11.8 | 166.7 | 11.5 | 157.9 | 10.8 | 148.5 | 10.0 | 139.1 | 9.3 | 133.0 | 8.8 |
| | 57 | 52 | 176.1 | 11.2 | 166.7 | 10.6 | 157.9 | 9.9 | 148.5 | 9.3 | 139.1 | 8.6 | 133.0 | 8.2 |
| | 62 | 56 | 176.1 | 10.4 | 166.7 | 9.8 | 157.9 | 9.2 | 148.5 | 8.6 | 139.1 | 8.0 | 133.0 | 7.7 |
| | 67 | 61 | 176.1 | 9.7 | 166.7 | 9.1 | 157.9 | 8.6 | 148.5 | 8.1 | 139.1 | 7.5 | 133.0 | 7.2 |
| | 72 | 66 | 176.1 | 9.0 | 166.7 | 8.5 | 157.9 | 8.1 | 148.5 | 7.6 | 139.1 | 7.1 | 133.0 | 6.8 |
| | 75 | 69 | 176.1 | 8.7 | 166.7 | 8.2 | 157.9 | 7.8 | 148.5 | 7.3 | 139.1 | 6.8 | 133.0 | 6.5 |
| | 80 | 74 | 176.1 | 8.2 | 166.7 | 7.7 | 157.9 | 7.3 | 148.5 | 6.9 | 139.1 | 6.5 | 133.0 | 6.2 |

NOTE - Power Input = Compressor + Outdoor Fan Motor.
 MBH = 1000 BTUs per hour.

HEATING CAPACITY - SINGLE MODULE | VRB120H4

| Combination (%) | Outdoor Temperature (°F) | | Indoor Temperature - °F Dry Bulb | | | | | | | | | | | |
|-----------------|--------------------------|----------|----------------------------------|----------------|----------------|----------------|----------------|----------------|----------------|----------------|----------------|----------------|----------------|----------------|
| | | | 61 | | 64 | | 67 | | 70 | | 73 | | 75 | |
| | Dry Bulb | Wet Bulb | Total Cap. MBH | Power Input kW | Total Cap. MBH | Power Input kW | Total Cap. MBH | Power Input kW | Total Cap. MBH | Power Input kW | Total Cap. MBH | Power Input kW | Total Cap. MBH | Power Input kW |
| 100% | -13 | -14 | 70.3 | 7.5 | 70.1 | 7.7 | 70.0 | 8.0 | 69.8 | 8.2 | 69.6 | 8.4 | 69.5 | 8.6 |
| | -8 | -9 | 73.7 | 7.9 | 73.5 | 8.1 | 73.3 | 8.3 | 73.1 | 8.6 | 73.0 | 8.8 | 72.8 | 9.0 |
| | -3 | -4 | 79.0 | 8.4 | 78.8 | 8.7 | 78.6 | 8.9 | 78.4 | 9.1 | 78.2 | 9.4 | 78.1 | 9.6 |
| | 2 | 1 | 85.7 | 9.0 | 85.5 | 9.3 | 85.3 | 9.5 | 85.0 | 9.8 | 84.8 | 10.1 | 84.7 | 10.3 |
| | 7 | 6 | 93.3 | 9.6 | 93.0 | 9.9 | 92.8 | 10.2 | 92.6 | 10.4 | 92.3 | 10.7 | 92.2 | 10.9 |
| | 12 | 10 | 101.4 | 10.2 | 101.1 | 10.5 | 100.9 | 10.8 | 100.6 | 11.0 | 100.3 | 11.4 | 100.2 | 11.6 |
| | 17 | 15 | 109.6 | 10.8 | 109.3 | 11.0 | 109.0 | 11.3 | 108.7 | 11.6 | 108.5 | 11.9 | 108.3 | 12.1 |
| | 22 | 20 | 117.6 | 11.2 | 117.3 | 11.4 | 117.0 | 11.7 | 116.7 | 12.0 | 116.4 | 12.3 | 116.2 | 12.5 |
| | 27 | 24 | 125.1 | 11.4 | 124.8 | 11.7 | 124.5 | 11.9 | 124.2 | 12.2 | 123.8 | 12.5 | 120.9 | 12.5 |
| | 32 | 29 | 132.0 | 11.6 | 131.6 | 11.8 | 131.3 | 12.1 | 131.0 | 12.3 | 126.5 | 12.1 | 120.9 | 11.4 |
| | 37 | 34 | 138.0 | 11.6 | 137.6 | 11.8 | 137.3 | 12.0 | 135.0 | 11.9 | 126.5 | 10.9 | 120.9 | 10.3 |
| | 42 | 38 | 143.1 | 11.4 | 142.7 | 11.7 | 142.4 | 11.5 | 135.0 | 10.7 | 126.5 | 9.9 | 120.9 | 9.3 |
| | 47 | 43 | 147.3 | 11.1 | 146.9 | 10.9 | 143.5 | 10.5 | 135.0 | 9.8 | 126.5 | 9.0 | 120.9 | 8.6 |
| | 52 | 47 | 150.4 | 10.3 | 150.1 | 10.2 | 143.5 | 9.6 | 135.0 | 9.0 | 126.5 | 8.3 | 120.9 | 7.9 |
| | 57 | 52 | 152.7 | 9.6 | 151.6 | 9.5 | 143.5 | 8.9 | 135.0 | 8.3 | 126.5 | 7.7 | 120.9 | 7.3 |
| | 62 | 56 | 154.3 | 9.0 | 151.6 | 8.8 | 143.5 | 8.3 | 135.0 | 7.7 | 126.5 | 7.2 | 120.9 | 6.9 |
| | 67 | 61 | 155.2 | 8.4 | 151.6 | 8.2 | 143.5 | 7.7 | 135.0 | 7.2 | 126.5 | 6.7 | 120.9 | 6.4 |
| 72 | 66 | 155.7 | 7.9 | 151.6 | 7.6 | 143.5 | 7.2 | 135.0 | 6.8 | 126.5 | 6.3 | 120.9 | 6.1 | |
| 75 | 69 | 156.0 | 7.6 | 151.6 | 7.4 | 143.5 | 7.0 | 135.0 | 6.5 | 126.5 | 6.1 | 120.9 | 5.9 | |
| 80 | 74 | 156.5 | 7.2 | 151.6 | 6.9 | 143.5 | 6.6 | 135.0 | 6.2 | 126.5 | 5.8 | 120.9 | 5.5 | |
| 90% | -13 | -14 | 70.0 | 7.4 | 69.9 | 7.6 | 69.7 | 7.8 | 69.5 | 8.0 | 69.3 | 8.3 | 69.2 | 8.4 |
| | -8 | -9 | 73.4 | 7.8 | 73.2 | 8.0 | 73.0 | 8.2 | 72.8 | 8.4 | 72.7 | 8.7 | 72.5 | 8.8 |
| | -3 | -4 | 78.7 | 8.3 | 78.5 | 8.5 | 78.3 | 8.7 | 78.1 | 9.0 | 77.9 | 9.2 | 77.8 | 9.4 |
| | 2 | 1 | 85.3 | 8.9 | 85.1 | 9.1 | 84.9 | 9.3 | 84.7 | 9.6 | 84.5 | 9.9 | 84.3 | 10.1 |
| | 7 | 6 | 92.9 | 9.5 | 92.7 | 9.7 | 92.4 | 10.0 | 92.2 | 10.2 | 92.0 | 10.5 | 91.8 | 10.7 |
| | 12 | 10 | 101.0 | 10.0 | 100.7 | 10.3 | 100.5 | 10.6 | 100.2 | 10.8 | 99.9 | 11.1 | 99.8 | 11.3 |
| | 17 | 15 | 109.1 | 10.6 | 108.8 | 10.8 | 108.6 | 11.1 | 108.3 | 11.4 | 108.0 | 11.7 | 107.8 | 11.9 |
| | 22 | 20 | 117.1 | 10.9 | 116.8 | 11.2 | 116.5 | 11.5 | 116.2 | 11.7 | 113.8 | 11.8 | 108.9 | 11.5 |
| | 27 | 24 | 124.6 | 11.2 | 124.3 | 11.5 | 124.0 | 11.7 | 121.5 | 11.8 | 113.8 | 11.3 | 108.9 | 11.0 |
| | 32 | 29 | 131.4 | 11.3 | 131.1 | 11.6 | 129.2 | 11.7 | 121.5 | 11.3 | 113.8 | 10.7 | 108.9 | 10.1 |
| | 37 | 34 | 137.4 | 11.3 | 136.4 | 11.5 | 129.2 | 11.2 | 121.5 | 10.5 | 113.8 | 9.6 | 108.9 | 9.1 |
| | 42 | 38 | 142.5 | 11.2 | 136.4 | 11.0 | 129.2 | 10.3 | 121.5 | 9.5 | 113.8 | 8.8 | 108.9 | 8.3 |
| | 47 | 43 | 138.8 | 10.3 | 136.4 | 10.0 | 129.2 | 9.3 | 121.5 | 8.7 | 113.8 | 8.0 | 108.9 | 7.6 |
| | 52 | 47 | 135.4 | 9.1 | 136.4 | 9.1 | 129.2 | 8.5 | 121.5 | 8.0 | 113.8 | 7.4 | 108.9 | 7.0 |
| | 57 | 52 | 137.5 | 8.5 | 136.4 | 8.4 | 129.2 | 7.9 | 121.5 | 7.4 | 113.8 | 6.8 | 108.9 | 6.5 |
| | 62 | 56 | 138.8 | 8.0 | 136.4 | 7.8 | 129.2 | 7.3 | 121.5 | 6.9 | 113.8 | 6.4 | 108.9 | 6.1 |
| | 67 | 61 | 139.7 | 7.4 | 136.4 | 7.2 | 129.2 | 6.8 | 121.5 | 6.4 | 113.8 | 6.0 | 108.9 | 5.7 |
| 72 | 66 | 140.2 | 7.0 | 136.4 | 6.8 | 129.2 | 6.4 | 121.5 | 6.0 | 113.8 | 5.6 | 108.9 | 5.4 | |
| 75 | 69 | 140.4 | 6.7 | 136.4 | 6.5 | 129.2 | 6.2 | 121.5 | 5.8 | 113.8 | 5.4 | 108.9 | 5.2 | |
| 80 | 74 | 140.9 | 6.3 | 136.4 | 6.1 | 129.2 | 5.8 | 121.5 | 5.5 | 113.8 | 5.1 | 108.9 | 4.9 | |
| 80% | -13 | -14 | 69.8 | 7.3 | 69.6 | 7.5 | 69.4 | 7.7 | 69.2 | 7.9 | 69.0 | 8.1 | 68.9 | 8.3 |
| | -8 | -9 | 73.1 | 7.6 | 72.9 | 7.8 | 72.7 | 8.0 | 72.6 | 8.3 | 72.4 | 8.5 | 72.2 | 8.7 |
| | -3 | -4 | 78.4 | 8.1 | 78.2 | 8.3 | 78.0 | 8.5 | 77.8 | 8.8 | 77.6 | 9.1 | 77.4 | 9.2 |
| | 2 | 1 | 85.0 | 8.7 | 84.8 | 8.9 | 84.6 | 9.2 | 84.4 | 9.4 | 84.1 | 9.7 | 84.0 | 9.9 |
| | 7 | 6 | 92.5 | 9.3 | 92.3 | 9.5 | 92.1 | 9.8 | 91.8 | 10.0 | 91.6 | 10.3 | 91.4 | 10.5 |
| | 12 | 10 | 100.6 | 9.9 | 100.3 | 10.1 | 100.1 | 10.4 | 99.8 | 10.6 | 99.5 | 10.9 | 96.8 | 10.8 |
| | 17 | 15 | 108.7 | 10.4 | 108.4 | 10.6 | 108.2 | 10.9 | 107.9 | 11.1 | 101.2 | 10.8 | 96.8 | 10.5 |
| | 22 | 20 | 116.6 | 10.7 | 116.3 | 11.0 | 114.8 | 11.1 | 108.0 | 10.8 | 101.2 | 10.4 | 96.8 | 10.1 |
| | 27 | 24 | 124.1 | 11.0 | 121.2 | 11.0 | 114.8 | 10.7 | 108.0 | 10.3 | 101.2 | 9.9 | 96.8 | 9.7 |
| | 32 | 29 | 128.1 | 10.9 | 121.2 | 10.6 | 114.8 | 10.2 | 108.0 | 9.9 | 101.2 | 9.4 | 96.8 | 8.9 |
| | 37 | 34 | 128.1 | 10.4 | 121.2 | 10.1 | 114.8 | 9.8 | 108.0 | 9.2 | 101.2 | 8.5 | 96.8 | 8.0 |
| | 42 | 38 | 128.1 | 9.9 | 121.2 | 9.6 | 114.8 | 9.0 | 108.0 | 8.3 | 101.2 | 7.7 | 96.8 | 7.3 |
| | 47 | 43 | 128.1 | 9.4 | 121.2 | 8.7 | 114.8 | 8.2 | 108.0 | 7.6 | 101.2 | 7.0 | 96.8 | 6.7 |
| | 52 | 47 | 128.1 | 8.5 | 121.2 | 8.0 | 114.8 | 7.5 | 108.0 | 7.0 | 101.2 | 6.5 | 96.8 | 6.1 |
| | 57 | 52 | 128.1 | 7.8 | 121.2 | 7.3 | 114.8 | 6.9 | 108.0 | 6.5 | 101.2 | 6.0 | 96.8 | 5.7 |
| | 62 | 56 | 128.1 | 7.2 | 121.2 | 6.8 | 114.8 | 6.4 | 108.0 | 6.0 | 101.2 | 5.6 | 96.8 | 5.3 |
| | 67 | 61 | 128.1 | 6.7 | 121.2 | 6.3 | 114.8 | 6.0 | 108.0 | 5.6 | 101.2 | 5.2 | 96.8 | 5.0 |
| 72 | 66 | 128.1 | 6.3 | 121.2 | 5.9 | 114.8 | 5.6 | 108.0 | 5.3 | 101.2 | 4.9 | 96.8 | 4.7 | |
| 75 | 69 | 128.1 | 6.0 | 121.2 | 5.7 | 114.8 | 5.4 | 108.0 | 5.1 | 101.2 | 4.8 | 96.8 | 4.5 | |
| 80 | 74 | 128.1 | 5.7 | 121.2 | 5.4 | 114.8 | 5.1 | 108.0 | 4.8 | 101.2 | 4.5 | 96.8 | 4.3 | |

NOTE - Power Input = Compressor + Outdoor Fan Motor.
 MBH = 1000 BTUs per hour.

HEATING CAPACITY - SINGLE MODULE | VRB120H4

| Combination (%) | Outdoor Temperature (°F) | | Indoor Temperature - °F Dry Bulb | | | | | | | | | | | |
|-----------------|--------------------------|----------|----------------------------------|----------------|----------------|----------------|----------------|----------------|----------------|----------------|----------------|----------------|----------------|----------------|
| | | | 61 | | 64 | | 67 | | 70 | | 73 | | 75 | |
| | Dry Bulb | Wet Bulb | Total Cap. MBH | Power Input kW | Total Cap. MBH | Power Input kW | Total Cap. MBH | Power Input kW | Total Cap. MBH | Power Input kW | Total Cap. MBH | Power Input kW | Total Cap. MBH | Power Input kW |
| 70% | -13 | -14 | 69.5 | 7.1 | 69.3 | 7.3 | 69.1 | 7.5 | 68.9 | 7.7 | 68.8 | 8.0 | 68.7 | 8.1 |
| | -8 | -9 | 72.8 | 7.5 | 72.6 | 7.7 | 72.4 | 7.9 | 72.3 | 8.1 | 72.1 | 8.4 | 72.0 | 8.5 |
| | -3 | -4 | 78.0 | 8.0 | 77.8 | 8.2 | 77.7 | 8.4 | 77.5 | 8.6 | 77.3 | 8.9 | 77.1 | 9.1 |
| | 2 | 1 | 84.7 | 8.5 | 84.4 | 8.8 | 84.2 | 9.0 | 84.0 | 9.2 | 83.8 | 9.5 | 83.7 | 9.7 |
| | 7 | 6 | 92.2 | 9.1 | 91.9 | 9.4 | 91.7 | 9.6 | 91.5 | 9.9 | 88.5 | 9.8 | 84.7 | 9.6 |
| | 12 | 10 | 100.2 | 9.7 | 99.9 | 9.9 | 99.7 | 10.2 | 94.5 | 9.9 | 88.5 | 9.6 | 84.7 | 9.4 |
| | 17 | 15 | 108.3 | 10.2 | 106.1 | 10.2 | 100.5 | 9.9 | 94.5 | 9.6 | 88.5 | 9.3 | 84.7 | 9.0 |
| | 22 | 20 | 112.1 | 10.2 | 106.1 | 9.9 | 100.5 | 9.6 | 94.5 | 9.3 | 88.5 | 8.9 | 84.7 | 8.7 |
| | 27 | 24 | 112.1 | 9.8 | 106.1 | 9.5 | 100.5 | 9.2 | 94.5 | 8.9 | 88.5 | 8.6 | 84.7 | 8.3 |
| | 32 | 29 | 112.1 | 9.4 | 106.1 | 9.1 | 100.5 | 8.8 | 94.5 | 8.5 | 88.5 | 8.1 | 84.7 | 7.6 |
| | 37 | 34 | 112.1 | 9.0 | 106.1 | 8.7 | 100.5 | 8.4 | 94.5 | 7.9 | 88.5 | 7.3 | 84.7 | 6.9 |
| | 42 | 38 | 112.1 | 8.6 | 106.1 | 8.3 | 100.5 | 7.8 | 94.5 | 7.2 | 88.5 | 6.6 | 84.7 | 6.3 |
| | 47 | 43 | 112.1 | 8.1 | 106.1 | 7.5 | 100.5 | 7.0 | 94.5 | 6.5 | 88.5 | 6.1 | 84.7 | 5.7 |
| | 52 | 47 | 112.1 | 7.3 | 106.1 | 6.9 | 100.5 | 6.5 | 94.5 | 6.0 | 88.5 | 5.6 | 84.7 | 5.3 |
| | 57 | 52 | 112.1 | 6.7 | 106.1 | 6.3 | 100.5 | 6.0 | 94.5 | 5.6 | 88.5 | 5.2 | 84.7 | 4.9 |
| | 62 | 56 | 112.1 | 6.2 | 106.1 | 5.9 | 100.5 | 5.5 | 94.5 | 5.2 | 88.5 | 4.8 | 84.7 | 4.6 |
| | 67 | 61 | 112.1 | 5.8 | 106.1 | 5.5 | 100.5 | 5.2 | 94.5 | 4.8 | 88.5 | 4.5 | 84.7 | 4.3 |
| | 72 | 66 | 112.1 | 5.4 | 106.1 | 5.1 | 100.5 | 4.8 | 94.5 | 4.5 | 88.5 | 4.2 | 84.7 | 4.1 |
| | 75 | 69 | 112.1 | 5.2 | 106.1 | 4.9 | 100.5 | 4.7 | 94.5 | 4.4 | 88.5 | 4.1 | 84.7 | 3.9 |
| | 80 | 74 | 112.1 | 4.9 | 106.1 | 4.6 | 100.5 | 4.4 | 94.5 | 4.1 | 88.5 | 3.9 | 84.7 | 3.7 |
| 60% | -13 | -14 | 69.2 | 7.0 | 69.0 | 7.2 | 68.8 | 7.4 | 68.7 | 7.6 | 68.5 | 7.8 | 68.4 | 8.0 |
| | -8 | -9 | 72.5 | 7.3 | 72.3 | 7.5 | 72.2 | 7.7 | 72.0 | 8.0 | 71.8 | 8.2 | 71.7 | 8.4 |
| | -3 | -4 | 77.7 | 7.8 | 77.5 | 8.0 | 77.3 | 8.2 | 77.1 | 8.5 | 75.9 | 8.6 | 72.6 | 8.4 |
| | 2 | 1 | 84.3 | 8.4 | 84.1 | 8.6 | 83.9 | 8.8 | 81.0 | 8.8 | 75.9 | 8.5 | 72.6 | 8.3 |
| | 7 | 6 | 91.8 | 9.0 | 90.9 | 9.1 | 86.1 | 8.9 | 81.0 | 8.6 | 75.9 | 8.3 | 72.6 | 8.1 |
| | 12 | 10 | 96.1 | 9.2 | 90.9 | 8.9 | 86.1 | 8.7 | 81.0 | 8.4 | 75.9 | 8.1 | 72.6 | 7.9 |
| | 17 | 15 | 96.1 | 8.9 | 90.9 | 8.6 | 86.1 | 8.4 | 81.0 | 8.1 | 75.9 | 7.8 | 72.6 | 7.6 |
| | 22 | 20 | 96.1 | 8.6 | 90.9 | 8.4 | 86.1 | 8.1 | 81.0 | 7.8 | 75.9 | 7.6 | 72.6 | 7.4 |
| | 27 | 24 | 96.1 | 8.3 | 90.9 | 8.0 | 86.1 | 7.8 | 81.0 | 7.5 | 75.9 | 7.2 | 72.6 | 7.1 |
| | 32 | 29 | 96.1 | 7.9 | 90.9 | 7.7 | 86.1 | 7.5 | 81.0 | 7.2 | 75.9 | 6.9 | 72.6 | 6.5 |
| | 37 | 34 | 96.1 | 7.6 | 90.9 | 7.4 | 86.1 | 7.1 | 81.0 | 6.7 | 75.9 | 6.2 | 72.6 | 5.8 |
| | 42 | 38 | 96.1 | 7.2 | 90.9 | 7.0 | 86.1 | 6.6 | 81.0 | 6.1 | 75.9 | 5.6 | 72.6 | 5.3 |
| | 47 | 43 | 96.1 | 6.8 | 90.9 | 6.4 | 86.1 | 6.0 | 81.0 | 5.5 | 75.9 | 5.1 | 72.6 | 4.8 |
| | 52 | 47 | 96.1 | 6.2 | 90.9 | 5.8 | 86.1 | 5.5 | 81.0 | 5.1 | 75.9 | 4.7 | 72.6 | 4.5 |
| | 57 | 52 | 96.1 | 5.7 | 90.9 | 5.4 | 86.1 | 5.0 | 81.0 | 4.7 | 75.9 | 4.4 | 72.6 | 4.2 |
| | 62 | 56 | 96.1 | 5.3 | 90.9 | 5.0 | 86.1 | 4.7 | 81.0 | 4.4 | 75.9 | 4.1 | 72.6 | 3.9 |
| | 67 | 61 | 96.1 | 4.9 | 90.9 | 4.6 | 86.1 | 4.4 | 81.0 | 4.1 | 75.9 | 3.8 | 72.6 | 3.6 |
| | 72 | 66 | 96.1 | 4.6 | 90.9 | 4.3 | 86.1 | 4.1 | 81.0 | 3.8 | 75.9 | 3.6 | 72.6 | 3.4 |
| | 75 | 69 | 96.1 | 4.4 | 90.9 | 4.2 | 86.1 | 3.9 | 81.0 | 3.7 | 75.9 | 3.5 | 72.6 | 3.3 |
| | 80 | 74 | 96.1 | 4.1 | 90.9 | 3.9 | 86.1 | 3.7 | 81.0 | 3.5 | 75.9 | 3.3 | 72.6 | 3.1 |
| 50% | -13 | -14 | 68.9 | 6.9 | 68.7 | 7.1 | 68.6 | 7.3 | 67.5 | 7.4 | 63.2 | 7.1 | 60.5 | 7.0 |
| | -8 | -9 | 72.2 | 7.2 | 72.0 | 7.4 | 71.8 | 7.6 | 67.5 | 7.4 | 63.2 | 7.1 | 60.5 | 7.0 |
| | -3 | -4 | 77.4 | 7.7 | 75.8 | 7.7 | 71.8 | 7.5 | 67.5 | 7.3 | 63.2 | 7.1 | 60.5 | 6.9 |
| | 2 | 1 | 80.0 | 7.8 | 75.8 | 7.6 | 71.8 | 7.4 | 67.5 | 7.2 | 63.2 | 7.0 | 60.5 | 6.8 |
| | 7 | 6 | 80.0 | 7.7 | 75.8 | 7.5 | 71.8 | 7.3 | 67.5 | 7.1 | 63.2 | 6.8 | 60.5 | 6.7 |
| | 12 | 10 | 80.0 | 7.5 | 75.8 | 7.3 | 71.8 | 7.1 | 67.5 | 6.9 | 63.2 | 6.7 | 60.5 | 6.5 |
| | 17 | 15 | 80.0 | 7.3 | 75.8 | 7.1 | 71.8 | 6.9 | 67.5 | 6.7 | 63.2 | 6.4 | 60.5 | 6.3 |
| | 22 | 20 | 80.0 | 7.1 | 75.8 | 6.9 | 71.8 | 6.7 | 67.5 | 6.4 | 63.2 | 6.2 | 60.5 | 6.0 |
| | 27 | 24 | 80.0 | 6.8 | 75.8 | 6.6 | 71.8 | 6.4 | 67.5 | 6.2 | 63.2 | 6.0 | 60.5 | 5.8 |
| | 32 | 29 | 80.0 | 6.5 | 75.8 | 6.3 | 71.8 | 6.1 | 67.5 | 5.9 | 63.2 | 5.6 | 60.5 | 5.3 |
| | 37 | 34 | 80.0 | 6.2 | 75.8 | 6.0 | 71.8 | 5.9 | 67.5 | 5.5 | 63.2 | 5.1 | 60.5 | 4.8 |
| | 42 | 38 | 80.0 | 5.9 | 75.8 | 5.8 | 71.8 | 5.4 | 67.5 | 5.0 | 63.2 | 4.6 | 60.5 | 4.3 |
| | 47 | 43 | 80.0 | 5.6 | 75.8 | 5.2 | 71.8 | 4.9 | 67.5 | 4.5 | 63.2 | 4.2 | 60.5 | 4.0 |
| | 52 | 47 | 80.0 | 5.1 | 75.8 | 4.8 | 71.8 | 4.5 | 67.5 | 4.2 | 63.2 | 3.9 | 60.5 | 3.7 |
| | 57 | 52 | 80.0 | 4.7 | 75.8 | 4.4 | 71.8 | 4.1 | 67.5 | 3.9 | 63.2 | 3.6 | 60.5 | 3.4 |
| | 62 | 56 | 80.0 | 4.3 | 75.8 | 4.1 | 71.8 | 3.8 | 67.5 | 3.6 | 63.2 | 3.3 | 60.5 | 3.2 |
| | 67 | 61 | 80.0 | 4.0 | 75.8 | 3.8 | 71.8 | 3.6 | 67.5 | 3.4 | 63.2 | 3.1 | 60.5 | 3.0 |
| | 72 | 66 | 80.0 | 3.8 | 75.8 | 3.6 | 71.8 | 3.4 | 67.5 | 3.2 | 63.2 | 2.9 | 60.5 | 2.8 |
| | 75 | 69 | 80.0 | 3.6 | 75.8 | 3.4 | 71.8 | 3.2 | 67.5 | 3.0 | 63.2 | 2.8 | 60.5 | 2.7 |
| | 80 | 74 | 80.0 | 3.4 | 75.8 | 3.2 | 71.8 | 3.1 | 67.5 | 2.9 | 63.2 | 2.7 | 60.5 | 2.6 |

NOTE - Power Input = Compressor + Outdoor Fan Motor.
 MBH = 1000 BTUs per hour.

COOLING CAPACITY - SINGLE MODULE | VRB144H4

| Combination (%) | Outdoor Temperature °F (Dry Bulb) | Indoor Temperature - °F (Dry Bulb / Wet Bulb) | | | | | | | | | | | |
|-----------------|-----------------------------------|---|-------------|------------|-------------|------------|-------------|------------|-------------|------------|-------------|------------|-------------|
| | | 67 / 57 | | 71 / 60 | | 75 / 63 | | 80 / 67 | | 85 / 71 | | 90 / 75 | |
| | | Total Cap. | Power Input | Total Cap. | Power Input | Total Cap. | Power Input | Total Cap. | Power Input | Total Cap. | Power Input | Total Cap. | Power Input |
| | | MBH | kW | MBH | kW | MBH | kW | MBH | kW | MBH | kW | MBH | kW |
| 130% | -10 | 110.4 | 3.8 | 134.1 | 4.6 | 156.5 | 5.4 | 187.2 | 6.6 | 219.3 | 7.9 | 250.1 | 9.3 |
| | -5 | 110.4 | 4.0 | 134.1 | 4.9 | 156.5 | 5.8 | 187.2 | 7.1 | 219.3 | 8.4 | 250.1 | 9.9 |
| | 10 | 110.4 | 4.1 | 134.1 | 5.0 | 156.5 | 5.9 | 187.2 | 7.2 | 219.3 | 8.6 | 250.1 | 10.1 |
| | 15 | 110.4 | 4.2 | 134.1 | 5.1 | 156.5 | 6.0 | 187.2 | 7.4 | 219.3 | 8.8 | 245.6 | 10.1 |
| | 20 | 110.4 | 4.3 | 134.1 | 5.2 | 156.5 | 6.2 | 187.2 | 7.5 | 219.3 | 9.0 | 240.6 | 10.1 |
| | 25 | 110.4 | 4.4 | 134.1 | 5.3 | 156.5 | 6.3 | 187.2 | 7.7 | 219.3 | 9.2 | 235.1 | 10.1 |
| | 30 | 110.4 | 4.5 | 134.1 | 5.5 | 156.5 | 6.5 | 187.2 | 7.9 | 219.3 | 9.4 | 229.6 | 10.1 |
| | 35 | 110.4 | 4.6 | 134.1 | 5.6 | 156.5 | 6.6 | 187.2 | 8.1 | 219.3 | 9.7 | 224.4 | 10.1 |
| | 40 | 110.4 | 4.7 | 134.1 | 5.7 | 156.5 | 6.8 | 187.2 | 8.3 | 219.3 | 9.9 | 221.0 | 10.2 |
| | 45 | 110.4 | 4.8 | 134.1 | 5.9 | 156.5 | 6.9 | 187.2 | 8.5 | 219.3 | 10.1 | 219.8 | 10.4 |
| | 50 | 110.4 | 4.9 | 134.1 | 6.0 | 156.5 | 7.1 | 187.2 | 8.7 | 216.1 | 10.3 | 219.0 | 10.6 |
| | 55 | 110.4 | 5.0 | 134.1 | 6.2 | 156.5 | 7.3 | 187.2 | 8.9 | 215.8 | 10.5 | 218.7 | 10.9 |
| | 60 | 110.4 | 5.2 | 134.1 | 6.4 | 156.5 | 7.5 | 187.2 | 9.2 | 216.5 | 10.8 | 218.8 | 11.2 |
| | 65 | 110.4 | 5.3 | 134.1 | 6.5 | 156.5 | 7.7 | 187.2 | 9.4 | 215.0 | 11.1 | 219.1 | 11.5 |
| | 70 | 110.4 | 5.8 | 134.1 | 7.1 | 156.5 | 8.4 | 187.2 | 10.2 | 215.4 | 12.0 | 219.5 | 12.6 |
| | 75 | 110.4 | 6.4 | 134.1 | 7.8 | 156.5 | 9.2 | 187.2 | 11.2 | 215.5 | 13.2 | 219.7 | 13.8 |
| | 80 | 110.4 | 7.0 | 134.1 | 8.6 | 156.5 | 10.1 | 187.2 | 12.3 | 215.2 | 14.5 | 219.3 | 15.1 |
| | 85 | 110.4 | 7.7 | 134.1 | 9.4 | 156.5 | 11.1 | 187.2 | 13.5 | 214.0 | 15.8 | 218.1 | 16.5 |
| | 90 | 110.4 | 8.4 | 134.1 | 10.3 | 156.5 | 12.2 | 187.2 | 14.8 | 211.5 | 17.1 | 215.5 | 17.9 |
| | 95 | 110.4 | 9.2 | 134.1 | 11.3 | 156.5 | 13.3 | 187.2 | 16.2 | 196.3 | 17.4 | 199.2 | 18.1 |
| 100 | 110.4 | 10.0 | 134.1 | 12.2 | 156.5 | 14.5 | 187.2 | 17.6 | 189.1 | 18.2 | 192.8 | 19.0 | |
| 105 | 110.4 | 10.8 | 134.1 | 13.2 | 156.5 | 15.6 | 174.9 | 17.8 | 180.1 | 18.7 | 183.5 | 19.5 | |
| 110 | 110.4 | 11.5 | 134.1 | 14.1 | 156.5 | 16.7 | 162.7 | 17.7 | 167.6 | 18.6 | 170.8 | 19.4 | |
| 115 | 110.4 | 12.2 | 134.1 | 15.0 | 141.2 | 15.9 | 146.6 | 16.9 | 151.0 | 17.8 | 153.9 | 18.5 | |
| 118 | 110.4 | 12.5 | 125.2 | 14.4 | 129.6 | 15.0 | 134.5 | 15.9 | 138.5 | 16.8 | 141.2 | 17.5 | |
| 125 | 88.7 | 10.5 | 92.6 | 11.1 | 95.8 | 11.6 | 99.5 | 12.3 | 102.4 | 12.9 | 104.4 | 13.5 | |
| 120% | -10 | 101.9 | 3.4 | 123.8 | 4.2 | 144.4 | 4.9 | 172.8 | 6.0 | 202.5 | 7.2 | 230.8 | 8.4 |
| | -5 | 101.9 | 3.6 | 123.8 | 4.5 | 144.4 | 5.3 | 172.8 | 6.4 | 202.5 | 7.7 | 230.8 | 9.0 |
| | 10 | 101.9 | 3.7 | 123.8 | 4.5 | 144.4 | 5.4 | 172.8 | 6.5 | 202.5 | 7.8 | 230.8 | 9.2 |
| | 15 | 101.9 | 3.8 | 123.8 | 4.6 | 144.4 | 5.5 | 172.8 | 6.7 | 202.5 | 8.0 | 230.8 | 9.4 |
| | 20 | 101.9 | 3.9 | 123.8 | 4.7 | 144.4 | 5.6 | 172.8 | 6.8 | 202.5 | 8.2 | 230.8 | 9.6 |
| | 25 | 101.9 | 4.0 | 123.8 | 4.9 | 144.4 | 5.7 | 172.8 | 7.0 | 202.5 | 8.4 | 230.8 | 9.8 |
| | 30 | 101.9 | 4.0 | 123.8 | 5.0 | 144.4 | 5.9 | 172.8 | 7.2 | 202.5 | 8.6 | 225.5 | 9.8 |
| | 35 | 101.9 | 4.1 | 123.8 | 5.1 | 144.4 | 6.0 | 172.8 | 7.3 | 202.5 | 8.8 | 220.3 | 9.8 |
| | 40 | 101.9 | 4.2 | 123.8 | 5.2 | 144.4 | 6.2 | 172.8 | 7.5 | 202.5 | 9.0 | 216.9 | 9.9 |
| | 45 | 101.9 | 4.4 | 123.8 | 5.3 | 144.4 | 6.3 | 172.8 | 7.7 | 202.5 | 9.2 | 215.7 | 10.1 |
| | 50 | 101.9 | 4.5 | 123.8 | 5.5 | 144.4 | 6.5 | 172.8 | 7.9 | 202.5 | 9.5 | 214.9 | 10.3 |
| | 55 | 101.9 | 4.6 | 123.8 | 5.6 | 144.4 | 6.6 | 172.8 | 8.1 | 202.5 | 9.7 | 214.6 | 10.5 |
| | 60 | 101.9 | 4.7 | 123.8 | 5.8 | 144.4 | 6.8 | 172.8 | 8.3 | 202.5 | 10.0 | 214.7 | 10.8 |
| | 65 | 101.9 | 4.8 | 123.8 | 5.9 | 144.4 | 7.0 | 172.8 | 8.6 | 202.5 | 10.2 | 215.0 | 11.1 |
| | 70 | 101.9 | 5.3 | 123.8 | 6.5 | 144.4 | 7.6 | 172.8 | 9.3 | 202.5 | 11.1 | 215.3 | 12.1 |
| | 75 | 101.9 | 5.8 | 123.8 | 7.1 | 144.4 | 8.4 | 172.8 | 10.2 | 202.5 | 12.2 | 215.5 | 13.3 |
| | 80 | 101.9 | 6.3 | 123.8 | 7.8 | 144.4 | 9.2 | 172.8 | 11.2 | 202.5 | 13.4 | 215.2 | 14.6 |
| | 85 | 101.9 | 7.0 | 123.8 | 8.6 | 144.4 | 10.1 | 172.8 | 12.3 | 202.5 | 14.7 | 214.0 | 16.0 |
| | 90 | 101.9 | 7.6 | 123.8 | 9.4 | 144.4 | 11.1 | 172.8 | 13.5 | 202.5 | 16.2 | 211.5 | 17.3 |
| | 95 | 101.9 | 8.3 | 123.8 | 10.2 | 144.4 | 12.1 | 172.8 | 14.7 | 196.3 | 17.1 | 199.2 | 17.8 |
| 100 | 101.9 | 9.1 | 123.8 | 11.1 | 144.4 | 13.1 | 172.8 | 16.0 | 189.1 | 17.9 | 192.8 | 18.7 | |
| 105 | 101.9 | 9.8 | 123.8 | 12.0 | 144.4 | 14.2 | 172.8 | 17.3 | 180.1 | 18.4 | 183.5 | 19.2 | |
| 110 | 101.9 | 10.5 | 123.8 | 12.9 | 144.4 | 15.2 | 162.7 | 17.4 | 167.6 | 18.3 | 170.8 | 19.1 | |
| 115 | 101.9 | 11.1 | 123.8 | 13.6 | 141.2 | 15.7 | 146.6 | 16.6 | 151.0 | 17.5 | 153.9 | 18.2 | |
| 118 | 101.9 | 11.4 | 123.8 | 14.0 | 129.6 | 14.8 | 134.5 | 15.7 | 138.5 | 16.5 | 141.2 | 17.2 | |
| 125 | 88.7 | 10.3 | 92.6 | 10.9 | 95.8 | 11.4 | 99.5 | 12.1 | 102.4 | 12.7 | 104.4 | 13.3 | |

NOTE - Power Input = Compressor + Outdoor Fan Motor.
 MBH = 1000 BTUs per hour.

COOLING CAPACITY - SINGLE MODULE | VRB144H4

| Combination (%) | Outdoor Temperature °F (Dry Bulb) | Indoor Temperature - °F (Dry Bulb / Wet Bulb) | | | | | | | | | | | |
|-----------------|-----------------------------------|---|-------------|------------|-------------|------------|-------------|------------|-------------|------------|-------------|------------|-------------|
| | | 67 / 57 | | 71 / 60 | | 75 / 63 | | 80 / 67 | | 85 / 71 | | 90 / 75 | |
| | | Total Cap. | Power Input | Total Cap. | Power Input | Total Cap. | Power Input | Total Cap. | Power Input | Total Cap. | Power Input | Total Cap. | Power Input |
| | | MBH | KW | MBH | KW | MBH | KW | MBH | KW | MBH | KW | MBH | KW |
| 110% | -10 | 93.4 | 3.1 | 113.5 | 3.8 | 132.4 | 4.5 | 158.4 | 5.4 | 185.6 | 6.5 | 211.6 | 7.6 |
| | -5 | 93.4 | 3.3 | 113.5 | 4.0 | 132.4 | 4.7 | 158.4 | 5.8 | 185.6 | 6.9 | 211.6 | 8.1 |
| | 10 | 93.4 | 3.3 | 113.5 | 4.1 | 132.4 | 4.8 | 158.4 | 5.9 | 185.6 | 7.1 | 211.6 | 8.3 |
| | 15 | 93.4 | 3.4 | 113.5 | 4.2 | 132.4 | 5.0 | 158.4 | 6.0 | 185.6 | 7.2 | 211.6 | 8.4 |
| | 20 | 93.4 | 3.5 | 113.5 | 4.3 | 132.4 | 5.1 | 158.4 | 6.2 | 185.6 | 7.4 | 211.6 | 8.6 |
| | 25 | 93.4 | 3.6 | 113.5 | 4.4 | 132.4 | 5.2 | 158.4 | 6.3 | 185.6 | 7.6 | 211.6 | 8.8 |
| | 30 | 93.4 | 3.7 | 113.5 | 4.5 | 132.4 | 5.3 | 158.4 | 6.5 | 185.6 | 7.7 | 211.6 | 9.0 |
| | 35 | 93.4 | 3.7 | 113.5 | 4.6 | 132.4 | 5.4 | 158.4 | 6.6 | 185.6 | 7.9 | 211.6 | 9.3 |
| | 40 | 93.4 | 3.8 | 113.5 | 4.7 | 132.4 | 5.6 | 158.4 | 6.8 | 185.6 | 8.1 | 211.6 | 9.5 |
| | 45 | 93.4 | 3.9 | 113.5 | 4.8 | 132.4 | 5.7 | 158.4 | 6.9 | 185.6 | 8.3 | 211.5 | 9.7 |
| | 50 | 93.4 | 4.0 | 113.5 | 5.0 | 132.4 | 5.8 | 158.4 | 7.1 | 185.6 | 8.5 | 210.8 | 9.9 |
| | 55 | 93.4 | 4.1 | 113.5 | 5.1 | 132.4 | 6.0 | 158.4 | 7.3 | 185.6 | 8.8 | 210.5 | 10.2 |
| | 60 | 93.4 | 4.2 | 113.5 | 5.2 | 132.4 | 6.2 | 158.4 | 7.5 | 185.6 | 9.0 | 210.5 | 10.5 |
| | 65 | 93.4 | 4.4 | 113.5 | 5.4 | 132.4 | 6.3 | 158.4 | 7.7 | 185.6 | 9.3 | 210.8 | 10.8 |
| | 70 | 93.4 | 4.7 | 113.5 | 5.8 | 132.4 | 6.9 | 158.4 | 8.4 | 185.6 | 10.1 | 211.2 | 11.7 |
| | 75 | 93.4 | 5.2 | 113.5 | 6.4 | 132.4 | 7.6 | 158.4 | 9.2 | 185.6 | 11.0 | 211.4 | 12.9 |
| | 80 | 93.4 | 5.7 | 113.5 | 7.0 | 132.4 | 8.3 | 158.4 | 10.1 | 185.6 | 12.1 | 211.1 | 14.1 |
| | 85 | 93.4 | 6.3 | 113.5 | 7.7 | 132.4 | 9.1 | 158.4 | 11.1 | 185.6 | 13.3 | 209.9 | 15.4 |
| | 90 | 93.4 | 6.9 | 113.5 | 8.5 | 132.4 | 10.0 | 158.4 | 12.2 | 185.6 | 14.6 | 207.4 | 16.7 |
| | 95 | 93.4 | 7.5 | 113.5 | 9.2 | 132.4 | 10.9 | 158.4 | 13.3 | 185.6 | 15.9 | 199.2 | 17.5 |
| 100 | 93.4 | 8.2 | 113.5 | 10.0 | 132.4 | 11.9 | 158.4 | 14.5 | 185.6 | 17.3 | 192.8 | 18.4 | |
| 105 | 93.4 | 8.8 | 113.5 | 10.8 | 132.4 | 12.8 | 158.4 | 15.6 | 180.1 | 18.1 | 183.5 | 18.9 | |
| 110 | 93.4 | 9.4 | 113.5 | 11.6 | 132.4 | 13.7 | 158.4 | 16.7 | 167.6 | 18.1 | 170.8 | 18.9 | |
| 115 | 93.4 | 10.0 | 113.5 | 12.3 | 132.4 | 14.5 | 146.6 | 16.4 | 151.0 | 17.2 | 153.9 | 18.0 | |
| 118 | 93.4 | 10.3 | 113.5 | 12.6 | 129.6 | 14.6 | 134.5 | 15.4 | 138.5 | 16.2 | 141.2 | 17.0 | |
| 125 | 88.7 | 10.2 | 92.6 | 10.7 | 95.8 | 11.2 | 99.5 | 11.9 | 102.4 | 12.5 | 104.4 | 13.1 | |
| 100% | -10 | 84.9 | 2.8 | 103.2 | 3.4 | 120.4 | 4.0 | 144.0 | 4.9 | 168.7 | 5.8 | 192.4 | 6.8 |
| | -5 | 84.9 | 2.9 | 103.2 | 3.6 | 120.4 | 4.3 | 144.0 | 5.2 | 168.7 | 6.2 | 192.4 | 7.2 |
| | 10 | 84.9 | 3.0 | 103.2 | 3.7 | 120.4 | 4.3 | 144.0 | 5.3 | 168.7 | 6.3 | 192.4 | 7.4 |
| | 15 | 84.9 | 3.1 | 103.2 | 3.8 | 120.4 | 4.4 | 144.0 | 5.4 | 168.7 | 6.5 | 192.4 | 7.6 |
| | 20 | 84.9 | 3.1 | 103.2 | 3.8 | 120.4 | 4.5 | 144.0 | 5.5 | 168.7 | 6.6 | 192.4 | 7.7 |
| | 25 | 84.9 | 3.2 | 103.2 | 3.9 | 120.4 | 4.6 | 144.0 | 5.7 | 168.7 | 6.8 | 192.4 | 7.9 |
| | 30 | 84.9 | 3.3 | 103.2 | 4.0 | 120.4 | 4.7 | 144.0 | 5.8 | 168.7 | 6.9 | 192.4 | 8.1 |
| | 35 | 84.9 | 3.3 | 103.2 | 4.1 | 120.4 | 4.9 | 144.0 | 5.9 | 168.7 | 7.1 | 192.4 | 8.3 |
| | 40 | 84.9 | 3.4 | 103.2 | 4.2 | 120.4 | 5.0 | 144.0 | 6.1 | 168.7 | 7.3 | 192.4 | 8.5 |
| | 45 | 84.9 | 3.5 | 103.2 | 4.3 | 120.4 | 5.1 | 144.0 | 6.2 | 168.7 | 7.5 | 192.4 | 8.7 |
| | 50 | 84.9 | 3.6 | 103.2 | 4.4 | 120.4 | 5.2 | 144.0 | 6.4 | 168.7 | 7.6 | 192.4 | 8.9 |
| | 55 | 84.9 | 3.7 | 103.2 | 4.6 | 120.4 | 5.4 | 144.0 | 6.6 | 168.7 | 7.8 | 192.4 | 9.2 |
| | 60 | 84.9 | 3.8 | 103.2 | 4.7 | 120.4 | 5.5 | 144.0 | 6.7 | 168.7 | 8.1 | 192.4 | 9.4 |
| | 65 | 84.9 | 3.9 | 103.2 | 4.8 | 120.4 | 5.7 | 144.0 | 6.9 | 168.7 | 8.3 | 192.4 | 9.7 |
| | 70 | 84.9 | 4.3 | 103.2 | 5.2 | 120.4 | 6.2 | 144.0 | 7.5 | 168.7 | 9.0 | 192.4 | 10.5 |
| | 75 | 84.9 | 4.7 | 103.2 | 5.7 | 120.4 | 6.8 | 144.0 | 8.3 | 168.7 | 9.9 | 192.4 | 11.6 |
| | 80 | 84.9 | 5.1 | 103.2 | 6.3 | 120.4 | 7.4 | 144.0 | 9.1 | 168.7 | 10.9 | 192.4 | 12.7 |
| | 85 | 84.9 | 5.6 | 103.2 | 6.9 | 120.4 | 8.2 | 144.0 | 9.9 | 168.7 | 11.9 | 192.4 | 13.9 |
| | 90 | 84.9 | 6.2 | 103.2 | 7.6 | 120.4 | 8.9 | 144.0 | 10.9 | 168.7 | 13.1 | 192.4 | 15.2 |
| | 95 | 84.9 | 6.7 | 103.2 | 8.3 | 120.4 | 9.8 | 144.0 | 11.9 | 168.7 | 14.3 | 192.4 | 16.7 |
| 100 | 84.9 | 7.3 | 103.2 | 9.0 | 120.4 | 10.6 | 144.0 | 12.9 | 168.7 | 15.5 | 192.4 | 18.1 | |
| 105 | 84.9 | 7.9 | 103.2 | 9.7 | 120.4 | 11.5 | 144.0 | 14.0 | 168.7 | 16.7 | 183.5 | 18.6 | |
| 110 | 84.9 | 8.5 | 103.2 | 10.4 | 120.4 | 12.3 | 144.0 | 15.0 | 167.6 | 17.8 | 170.8 | 18.6 | |
| 115 | 84.9 | 8.9 | 103.2 | 11.0 | 120.4 | 13.0 | 144.0 | 15.8 | 151.0 | 17.0 | 153.9 | 17.7 | |
| 118 | 84.9 | 9.2 | 103.2 | 11.3 | 120.4 | 13.3 | 134.5 | 15.2 | 138.5 | 16.0 | 141.2 | 16.7 | |
| 125 | 84.9 | 9.6 | 92.6 | 10.6 | 95.8 | 11.1 | 99.5 | 11.7 | 102.4 | 12.3 | 104.4 | 12.9 | |

NOTE - Power Input = Compressor + Outdoor Fan Motor.
MBH = 1000 BTUs per hour.

COOLING CAPACITY - SINGLE MODULE | VRB144H4

| Combination (%) | Outdoor Temperature °F (Dry Bulb) | Indoor Temperature - °F (Dry Bulb / Wet Bulb) | | | | | | | | | | | |
|-----------------|-----------------------------------|---|-------------|------------|-------------|------------|-------------|------------|-------------|------------|-------------|------------|-------------|
| | | 67 / 57 | | 71 / 60 | | 75 / 63 | | 80 / 67 | | 85 / 71 | | 90 / 75 | |
| | | Total Cap. | Power Input | Total Cap. | Power Input | Total Cap. | Power Input | Total Cap. | Power Input | Total Cap. | Power Input | Total Cap. | Power Input |
| | | MBH | kW | MBH | kW | MBH | kW | MBH | kW | MBH | kW | MBH | kW |
| 90% | -10 | 76.4 | 2.4 | 92.8 | 3.0 | 108.3 | 3.5 | 129.6 | 4.3 | 151.8 | 5.2 | 173.1 | 6.0 |
| | -5 | 76.4 | 2.6 | 92.8 | 3.2 | 108.3 | 3.8 | 129.6 | 4.6 | 151.8 | 5.5 | 173.1 | 6.4 |
| | 10 | 76.4 | 2.7 | 92.8 | 3.3 | 108.3 | 3.8 | 129.6 | 4.7 | 151.8 | 5.6 | 173.1 | 6.6 |
| | 15 | 76.4 | 2.7 | 92.8 | 3.3 | 108.3 | 3.9 | 129.6 | 4.8 | 151.8 | 5.7 | 173.1 | 6.7 |
| | 20 | 76.4 | 2.8 | 92.8 | 3.4 | 108.3 | 4.0 | 129.6 | 4.9 | 151.8 | 5.9 | 173.1 | 6.9 |
| | 25 | 76.4 | 2.8 | 92.8 | 3.5 | 108.3 | 4.1 | 129.6 | 5.0 | 151.8 | 6.0 | 173.1 | 7.0 |
| | 30 | 76.4 | 2.9 | 92.8 | 3.6 | 108.3 | 4.2 | 129.6 | 5.1 | 151.8 | 6.1 | 173.1 | 7.2 |
| | 35 | 76.4 | 3.0 | 92.8 | 3.6 | 108.3 | 4.3 | 129.6 | 5.3 | 151.8 | 6.3 | 173.1 | 7.3 |
| | 40 | 76.4 | 3.0 | 92.8 | 3.7 | 108.3 | 4.4 | 129.6 | 5.4 | 151.8 | 6.4 | 173.1 | 7.5 |
| | 45 | 76.4 | 3.1 | 92.8 | 3.8 | 108.3 | 4.5 | 129.6 | 5.5 | 151.8 | 6.6 | 173.1 | 7.7 |
| | 50 | 76.4 | 3.2 | 92.8 | 3.9 | 108.3 | 4.6 | 129.6 | 5.7 | 151.8 | 6.8 | 173.1 | 7.9 |
| | 55 | 76.4 | 3.3 | 92.8 | 4.0 | 108.3 | 4.8 | 129.6 | 5.8 | 151.8 | 7.0 | 173.1 | 8.1 |
| | 60 | 76.4 | 3.4 | 92.8 | 4.1 | 108.3 | 4.9 | 129.6 | 6.0 | 151.8 | 7.1 | 173.1 | 8.3 |
| | 65 | 76.4 | 3.5 | 92.8 | 4.3 | 108.3 | 5.0 | 129.6 | 6.1 | 151.8 | 7.3 | 173.1 | 8.6 |
| | 70 | 76.4 | 3.8 | 92.8 | 4.6 | 108.3 | 5.5 | 129.6 | 6.7 | 151.8 | 8.0 | 173.1 | 9.3 |
| | 75 | 76.4 | 4.1 | 92.8 | 5.1 | 108.3 | 6.0 | 129.6 | 7.3 | 151.8 | 8.8 | 173.1 | 10.2 |
| | 80 | 76.4 | 4.5 | 92.8 | 5.6 | 108.3 | 6.6 | 129.6 | 8.0 | 151.8 | 9.6 | 173.1 | 11.2 |
| | 85 | 76.4 | 5.0 | 92.8 | 6.1 | 108.3 | 7.2 | 129.6 | 8.8 | 151.8 | 10.6 | 173.1 | 12.3 |
| | 90 | 76.4 | 5.5 | 92.8 | 6.7 | 108.3 | 7.9 | 129.6 | 9.7 | 151.8 | 11.6 | 173.1 | 13.5 |
| | 95 | 76.4 | 6.0 | 92.8 | 7.3 | 108.3 | 8.7 | 129.6 | 10.6 | 151.8 | 12.6 | 173.1 | 14.8 |
| 100 | 76.4 | 6.5 | 92.8 | 8.0 | 108.3 | 9.4 | 129.6 | 11.5 | 151.8 | 13.7 | 173.1 | 16.1 | |
| 105 | 76.4 | 7.0 | 92.8 | 8.6 | 108.3 | 10.2 | 129.6 | 12.4 | 151.8 | 14.8 | 173.1 | 17.3 | |
| 110 | 76.4 | 7.5 | 92.8 | 9.2 | 108.3 | 10.9 | 129.6 | 13.3 | 151.8 | 15.9 | 170.8 | 18.3 | |
| 115 | 76.4 | 7.9 | 92.8 | 9.7 | 108.3 | 11.5 | 129.6 | 14.0 | 151.0 | 16.7 | 153.9 | 17.4 | |
| 118 | 76.4 | 8.2 | 92.8 | 10.0 | 108.3 | 11.8 | 129.6 | 14.4 | 138.5 | 15.8 | 141.2 | 16.5 | |
| 125 | 76.4 | 8.5 | 92.6 | 10.4 | 95.8 | 10.9 | 99.5 | 11.5 | 102.4 | 12.2 | 104.4 | 12.7 | |
| 80% | -10 | 67.9 | 2.1 | 82.5 | 2.6 | 96.3 | 3.1 | 115.2 | 3.8 | 135.0 | 4.5 | 153.9 | 5.3 |
| | -5 | 67.9 | 2.3 | 82.5 | 2.8 | 96.3 | 3.3 | 115.2 | 4.0 | 135.0 | 4.8 | 153.9 | 5.6 |
| | 10 | 67.9 | 2.3 | 82.5 | 2.9 | 96.3 | 3.4 | 115.2 | 4.1 | 135.0 | 4.9 | 153.9 | 5.7 |
| | 15 | 67.9 | 2.4 | 82.5 | 2.9 | 96.3 | 3.4 | 115.2 | 4.2 | 135.0 | 5.0 | 153.9 | 5.9 |
| | 20 | 67.9 | 2.4 | 82.5 | 3.0 | 96.3 | 3.5 | 115.2 | 4.3 | 135.0 | 5.1 | 153.9 | 6.0 |
| | 25 | 67.9 | 2.5 | 82.5 | 3.1 | 96.3 | 3.6 | 115.2 | 4.4 | 135.0 | 5.3 | 153.9 | 6.1 |
| | 30 | 67.9 | 2.5 | 82.5 | 3.1 | 96.3 | 3.7 | 115.2 | 4.5 | 135.0 | 5.4 | 153.9 | 6.3 |
| | 35 | 67.9 | 2.6 | 82.5 | 3.2 | 96.3 | 3.8 | 115.2 | 4.6 | 135.0 | 5.5 | 153.9 | 6.4 |
| | 40 | 67.9 | 2.7 | 82.5 | 3.3 | 96.3 | 3.9 | 115.2 | 4.7 | 135.0 | 5.6 | 153.9 | 6.6 |
| | 45 | 67.9 | 2.7 | 82.5 | 3.4 | 96.3 | 4.0 | 115.2 | 4.8 | 135.0 | 5.8 | 153.9 | 6.8 |
| | 50 | 67.9 | 2.8 | 82.5 | 3.4 | 96.3 | 4.1 | 115.2 | 5.0 | 135.0 | 5.9 | 153.9 | 6.9 |
| | 55 | 67.9 | 2.9 | 82.5 | 3.5 | 96.3 | 4.2 | 115.2 | 5.1 | 135.0 | 6.1 | 153.9 | 7.1 |
| | 60 | 67.9 | 3.0 | 82.5 | 3.6 | 96.3 | 4.3 | 115.2 | 5.2 | 135.0 | 6.3 | 153.9 | 7.3 |
| | 65 | 67.9 | 3.0 | 82.5 | 3.7 | 96.3 | 4.4 | 115.2 | 5.4 | 135.0 | 6.4 | 153.9 | 7.5 |
| | 70 | 67.9 | 3.3 | 82.5 | 4.1 | 96.3 | 4.8 | 115.2 | 5.8 | 135.0 | 7.0 | 153.9 | 8.2 |
| | 75 | 67.9 | 3.6 | 82.5 | 4.5 | 96.3 | 5.3 | 115.2 | 6.4 | 135.0 | 7.7 | 153.9 | 9.0 |
| | 80 | 67.9 | 4.0 | 82.5 | 4.9 | 96.3 | 5.8 | 115.2 | 7.0 | 135.0 | 8.4 | 153.9 | 9.9 |
| | 85 | 67.9 | 4.4 | 82.5 | 5.4 | 96.3 | 6.3 | 115.2 | 7.7 | 135.0 | 9.3 | 153.9 | 10.8 |
| | 90 | 67.9 | 4.8 | 82.5 | 5.9 | 96.3 | 6.9 | 115.2 | 8.5 | 135.0 | 10.1 | 153.9 | 11.8 |
| | 95 | 67.9 | 5.2 | 82.5 | 6.4 | 96.3 | 7.6 | 115.2 | 9.2 | 135.0 | 11.1 | 153.9 | 12.9 |
| 100 | 67.9 | 5.7 | 82.5 | 7.0 | 96.3 | 8.2 | 115.2 | 10.1 | 135.0 | 12.0 | 153.9 | 14.1 | |
| 105 | 67.9 | 6.1 | 82.5 | 7.5 | 96.3 | 8.9 | 115.2 | 10.9 | 135.0 | 13.0 | 153.9 | 15.2 | |
| 110 | 67.9 | 6.6 | 82.5 | 8.1 | 96.3 | 9.5 | 115.2 | 11.6 | 135.0 | 13.9 | 153.9 | 16.2 | |
| 115 | 67.9 | 6.9 | 82.5 | 8.5 | 96.3 | 10.1 | 115.2 | 12.3 | 135.0 | 14.7 | 153.9 | 17.2 | |
| 118 | 67.9 | 7.1 | 82.5 | 8.8 | 96.3 | 10.4 | 115.2 | 12.6 | 135.0 | 15.1 | 141.2 | 16.2 | |
| 125 | 67.9 | 7.5 | 82.5 | 9.2 | 95.8 | 10.8 | 99.5 | 11.4 | 102.4 | 12.0 | 104.4 | 12.5 | |

NOTE - Power Input = Compressor + Outdoor Fan Motor.
 MBH = 1000 BTUs per hour.

COOLING CAPACITY - SINGLE MODULE | VRB144H4

| Combination (%) | Outdoor Temperature °F (Dry Bulb) | Indoor Temperature - °F (Dry Bulb / Wet Bulb) | | | | | | | | | | | |
|-----------------|-----------------------------------|---|-------------|------------|-------------|------------|-------------|------------|-------------|------------|-------------|------------|-------------|
| | | 67 / 57 | | 71 / 60 | | 75 / 63 | | 80 / 67 | | 85 / 71 | | 90 / 75 | |
| | | Total Cap. | Power Input | Total Cap. | Power Input | Total Cap. | Power Input | Total Cap. | Power Input | Total Cap. | Power Input | Total Cap. | Power Input |
| | | MBH | KW | MBH | KW | MBH | KW | MBH | KW | MBH | KW | MBH | KW |
| 70% | -10 | 59.4 | 1.8 | 72.2 | 2.3 | 84.3 | 2.7 | 100.8 | 3.3 | 118.1 | 3.9 | 134.7 | 4.6 |
| | -5 | 59.4 | 2.0 | 72.2 | 2.4 | 84.3 | 2.8 | 100.8 | 3.5 | 118.1 | 4.2 | 134.7 | 4.9 |
| | 10 | 59.4 | 2.0 | 72.2 | 2.5 | 84.3 | 2.9 | 100.8 | 3.5 | 118.1 | 4.2 | 134.7 | 5.0 |
| | 15 | 59.4 | 2.0 | 72.2 | 2.5 | 84.3 | 3.0 | 100.8 | 3.6 | 118.1 | 4.3 | 134.7 | 5.1 |
| | 20 | 59.4 | 2.1 | 72.2 | 2.6 | 84.3 | 3.0 | 100.8 | 3.7 | 118.1 | 4.4 | 134.7 | 5.2 |
| | 25 | 59.4 | 2.1 | 72.2 | 2.6 | 84.3 | 3.1 | 100.8 | 3.8 | 118.1 | 4.5 | 134.7 | 5.3 |
| | 30 | 59.4 | 2.2 | 72.2 | 2.7 | 84.3 | 3.2 | 100.8 | 3.9 | 118.1 | 4.6 | 134.7 | 5.4 |
| | 35 | 59.4 | 2.2 | 72.2 | 2.8 | 84.3 | 3.3 | 100.8 | 4.0 | 118.1 | 4.8 | 134.7 | 5.6 |
| | 40 | 59.4 | 2.3 | 72.2 | 2.8 | 84.3 | 3.3 | 100.8 | 4.1 | 118.1 | 4.9 | 134.7 | 5.7 |
| | 45 | 59.4 | 2.4 | 72.2 | 2.9 | 84.3 | 3.4 | 100.8 | 4.2 | 118.1 | 5.0 | 134.7 | 5.8 |
| | 50 | 59.4 | 2.4 | 72.2 | 3.0 | 84.3 | 3.5 | 100.8 | 4.3 | 118.1 | 5.1 | 134.7 | 6.0 |
| | 55 | 59.4 | 2.5 | 72.2 | 3.0 | 84.3 | 3.6 | 100.8 | 4.4 | 118.1 | 5.3 | 134.7 | 6.1 |
| | 60 | 59.4 | 2.5 | 72.2 | 3.1 | 84.3 | 3.7 | 100.8 | 4.5 | 118.1 | 5.4 | 134.7 | 6.3 |
| | 65 | 59.4 | 2.6 | 72.2 | 3.2 | 84.3 | 3.8 | 100.8 | 4.6 | 118.1 | 5.5 | 134.7 | 6.5 |
| | 70 | 59.4 | 2.8 | 72.2 | 3.5 | 84.3 | 4.1 | 100.8 | 5.0 | 118.1 | 6.0 | 134.7 | 7.0 |
| | 75 | 59.4 | 3.1 | 72.2 | 3.8 | 84.3 | 4.5 | 100.8 | 5.5 | 118.1 | 6.6 | 134.7 | 7.7 |
| | 80 | 59.4 | 3.4 | 72.2 | 4.2 | 84.3 | 5.0 | 100.8 | 6.1 | 118.1 | 7.3 | 134.7 | 8.5 |
| | 85 | 59.4 | 3.8 | 72.2 | 4.6 | 84.3 | 5.5 | 100.8 | 6.7 | 118.1 | 8.0 | 134.7 | 9.3 |
| | 90 | 59.4 | 4.1 | 72.2 | 5.1 | 84.3 | 6.0 | 100.8 | 7.3 | 118.1 | 8.7 | 134.7 | 10.2 |
| | 95 | 59.4 | 4.5 | 72.2 | 5.5 | 84.3 | 6.5 | 100.8 | 8.0 | 118.1 | 9.6 | 134.7 | 11.2 |
| 100 | 59.4 | 4.9 | 72.2 | 6.0 | 84.3 | 7.1 | 100.8 | 8.7 | 118.1 | 10.4 | 134.7 | 12.1 | |
| 105 | 59.4 | 5.3 | 72.2 | 6.5 | 84.3 | 7.7 | 100.8 | 9.4 | 118.1 | 11.2 | 134.7 | 13.1 | |
| 110 | 59.4 | 5.7 | 72.2 | 7.0 | 84.3 | 8.2 | 100.8 | 10.0 | 118.1 | 12.0 | 134.7 | 14.0 | |
| 115 | 59.4 | 6.0 | 72.2 | 7.4 | 84.3 | 8.7 | 100.8 | 10.6 | 118.1 | 12.7 | 134.7 | 14.8 | |
| 118 | 59.4 | 6.2 | 72.2 | 7.6 | 84.3 | 8.9 | 100.8 | 10.9 | 118.1 | 13.1 | 134.7 | 15.2 | |
| 125 | 59.4 | 6.4 | 72.2 | 7.9 | 84.3 | 9.3 | 99.5 | 11.2 | 102.4 | 11.8 | 104.4 | 12.3 | |
| 60% | -10 | 50.9 | 1.6 | 61.9 | 1.9 | 72.2 | 2.3 | 86.4 | 2.8 | 101.2 | 3.3 | 115.4 | 3.9 |
| | -5 | 50.9 | 1.7 | 61.9 | 2.0 | 72.2 | 2.4 | 86.4 | 2.9 | 101.2 | 3.5 | 115.4 | 4.1 |
| | 10 | 50.9 | 1.7 | 61.9 | 2.1 | 72.2 | 2.5 | 86.4 | 3.0 | 101.2 | 3.6 | 115.4 | 4.2 |
| | 15 | 50.9 | 1.7 | 61.9 | 2.1 | 72.2 | 2.5 | 86.4 | 3.1 | 101.2 | 3.7 | 115.4 | 4.3 |
| | 20 | 50.9 | 1.8 | 61.9 | 2.2 | 72.2 | 2.6 | 86.4 | 3.1 | 101.2 | 3.7 | 115.4 | 4.4 |
| | 25 | 50.9 | 1.8 | 61.9 | 2.2 | 72.2 | 2.6 | 86.4 | 3.2 | 101.2 | 3.8 | 115.4 | 4.5 |
| | 30 | 50.9 | 1.9 | 61.9 | 2.3 | 72.2 | 2.7 | 86.4 | 3.3 | 101.2 | 3.9 | 115.4 | 4.6 |
| | 35 | 50.9 | 1.9 | 61.9 | 2.3 | 72.2 | 2.8 | 86.4 | 3.4 | 101.2 | 4.0 | 115.4 | 4.7 |
| | 40 | 50.9 | 1.9 | 61.9 | 2.4 | 72.2 | 2.8 | 86.4 | 3.4 | 101.2 | 4.1 | 115.4 | 4.8 |
| | 45 | 50.9 | 2.0 | 61.9 | 2.4 | 72.2 | 2.9 | 86.4 | 3.5 | 101.2 | 4.2 | 115.4 | 4.9 |
| | 50 | 50.9 | 2.0 | 61.9 | 2.5 | 72.2 | 3.0 | 86.4 | 3.6 | 101.2 | 4.3 | 115.4 | 5.1 |
| | 55 | 50.9 | 2.1 | 61.9 | 2.6 | 72.2 | 3.0 | 86.4 | 3.7 | 101.2 | 4.4 | 115.4 | 5.2 |
| | 60 | 50.9 | 2.2 | 61.9 | 2.6 | 72.2 | 3.1 | 86.4 | 3.8 | 101.2 | 4.6 | 115.4 | 5.3 |
| | 65 | 50.9 | 2.2 | 61.9 | 2.7 | 72.2 | 3.2 | 86.4 | 3.9 | 101.2 | 4.7 | 115.4 | 5.5 |
| | 70 | 50.9 | 2.4 | 61.9 | 3.0 | 72.2 | 3.5 | 86.4 | 4.3 | 101.2 | 5.1 | 115.4 | 6.0 |
| | 75 | 50.9 | 2.6 | 61.9 | 3.2 | 72.2 | 3.8 | 86.4 | 4.7 | 101.2 | 5.6 | 115.4 | 6.5 |
| | 80 | 50.9 | 2.9 | 61.9 | 3.6 | 72.2 | 4.2 | 86.4 | 5.1 | 101.2 | 6.1 | 115.4 | 7.2 |
| | 85 | 50.9 | 3.2 | 61.9 | 3.9 | 72.2 | 4.6 | 86.4 | 5.6 | 101.2 | 6.7 | 115.4 | 7.9 |
| | 90 | 50.9 | 3.5 | 61.9 | 4.3 | 72.2 | 5.1 | 86.4 | 6.2 | 101.2 | 7.4 | 115.4 | 8.6 |
| | 95 | 50.9 | 3.8 | 61.9 | 4.7 | 72.2 | 5.5 | 86.4 | 6.7 | 101.2 | 8.1 | 115.4 | 9.4 |
| 100 | 50.9 | 4.1 | 61.9 | 5.1 | 72.2 | 6.0 | 86.4 | 7.3 | 101.2 | 8.8 | 115.4 | 10.2 | |
| 105 | 50.9 | 4.5 | 61.9 | 5.5 | 72.2 | 6.5 | 86.4 | 7.9 | 101.2 | 9.5 | 115.4 | 11.1 | |
| 110 | 50.9 | 4.8 | 61.9 | 5.9 | 72.2 | 6.9 | 86.4 | 8.5 | 101.2 | 10.1 | 115.4 | 11.8 | |
| 115 | 50.9 | 5.1 | 61.9 | 6.2 | 72.2 | 7.3 | 86.4 | 9.0 | 101.2 | 10.7 | 115.4 | 12.5 | |
| 118 | 50.9 | 5.2 | 61.9 | 6.4 | 72.2 | 7.6 | 86.4 | 9.2 | 101.2 | 11.0 | 115.4 | 12.9 | |
| 125 | 50.9 | 5.4 | 61.9 | 6.7 | 72.2 | 7.9 | 86.4 | 9.6 | 101.2 | 11.5 | 104.4 | 12.1 | |

NOTE - Power Input = Compressor + Outdoor Fan Motor.
 MBH = 1000 BTUs per hour.

COOLING CAPACITY - SINGLE MODULE | VRB144H4

| Combination (%) | Outdoor Temperature °F (Dry Bulb) | Indoor Temperature - °F (Dry Bulb / Wet Bulb) | | | | | | | | | | | |
|-----------------|-----------------------------------|---|-------------|------------|-------------|------------|-------------|------------|-------------|------------|-------------|------------|-------------|
| | | 67 / 57 | | 71 / 60 | | 75 / 63 | | 80 / 67 | | 85 / 71 | | 90 / 75 | |
| | | Total Cap. | Power Input | Total Cap. | Power Input | Total Cap. | Power Input | Total Cap. | Power Input | Total Cap. | Power Input | Total Cap. | Power Input |
| | | MBH | kW | MBH | kW | MBH | kW | MBH | kW | MBH | kW | MBH | kW |
| 50% | -10 | 42.4 | 1.3 | 51.6 | 1.6 | 60.2 | 1.9 | 72.0 | 2.3 | 84.4 | 2.7 | 96.2 | 3.2 |
| | -5 | 42.4 | 1.4 | 51.6 | 1.7 | 60.2 | 2.0 | 72.0 | 2.4 | 84.4 | 2.9 | 96.2 | 3.4 |
| | 10 | 42.4 | 1.4 | 51.6 | 1.7 | 60.2 | 2.0 | 72.0 | 2.5 | 84.4 | 2.9 | 96.2 | 3.4 |
| | 15 | 42.4 | 1.4 | 51.6 | 1.7 | 60.2 | 2.1 | 72.0 | 2.5 | 84.4 | 3.0 | 96.2 | 3.5 |
| | 20 | 42.4 | 1.5 | 51.6 | 1.8 | 60.2 | 2.1 | 72.0 | 2.6 | 84.4 | 3.1 | 96.2 | 3.6 |
| | 25 | 42.4 | 1.5 | 51.6 | 1.8 | 60.2 | 2.2 | 72.0 | 2.6 | 84.4 | 3.1 | 96.2 | 3.7 |
| | 30 | 42.4 | 1.5 | 51.6 | 1.9 | 60.2 | 2.2 | 72.0 | 2.7 | 84.4 | 3.2 | 96.2 | 3.8 |
| | 35 | 42.4 | 1.6 | 51.6 | 1.9 | 60.2 | 2.3 | 72.0 | 2.8 | 84.4 | 3.3 | 96.2 | 3.9 |
| | 40 | 42.4 | 1.6 | 51.6 | 2.0 | 60.2 | 2.3 | 72.0 | 2.8 | 84.4 | 3.4 | 96.2 | 3.9 |
| | 45 | 42.4 | 1.6 | 51.6 | 2.0 | 60.2 | 2.4 | 72.0 | 2.9 | 84.4 | 3.5 | 96.2 | 4.0 |
| | 50 | 42.4 | 1.7 | 51.6 | 2.1 | 60.2 | 2.4 | 72.0 | 3.0 | 84.4 | 3.6 | 96.2 | 4.2 |
| | 55 | 42.4 | 1.7 | 51.6 | 2.1 | 60.2 | 2.5 | 72.0 | 3.0 | 84.4 | 3.6 | 96.2 | 4.3 |
| | 60 | 42.4 | 1.8 | 51.6 | 2.2 | 60.2 | 2.6 | 72.0 | 3.1 | 84.4 | 3.7 | 96.2 | 4.4 |
| | 65 | 42.4 | 1.8 | 51.6 | 2.2 | 60.2 | 2.6 | 72.0 | 3.2 | 84.4 | 3.9 | 96.2 | 4.5 |
| | 70 | 42.4 | 2.0 | 51.6 | 2.4 | 60.2 | 2.9 | 72.0 | 3.5 | 84.4 | 4.2 | 96.2 | 4.9 |
| | 75 | 42.4 | 2.2 | 51.6 | 2.7 | 60.2 | 3.2 | 72.0 | 3.8 | 84.4 | 4.6 | 96.2 | 5.4 |
| | 80 | 42.4 | 2.4 | 51.6 | 2.9 | 60.2 | 3.5 | 72.0 | 4.2 | 84.4 | 5.1 | 96.2 | 5.9 |
| | 85 | 42.4 | 2.6 | 51.6 | 3.2 | 60.2 | 3.8 | 72.0 | 4.6 | 84.4 | 5.5 | 96.2 | 6.5 |
| 90 | 42.4 | 2.9 | 51.6 | 3.5 | 60.2 | 4.2 | 72.0 | 5.1 | 84.4 | 6.1 | 96.2 | 7.1 | |
| 95 | 42.4 | 3.1 | 51.6 | 3.8 | 60.2 | 4.5 | 72.0 | 5.5 | 84.4 | 6.6 | 96.2 | 7.7 | |
| 100 | 42.4 | 3.4 | 51.6 | 4.2 | 60.2 | 4.9 | 72.0 | 6.0 | 84.4 | 7.2 | 96.2 | 8.4 | |
| 105 | 42.4 | 3.7 | 51.6 | 4.5 | 60.2 | 5.3 | 72.0 | 6.5 | 84.4 | 7.8 | 96.2 | 9.1 | |
| 110 | 42.4 | 3.9 | 51.6 | 4.8 | 60.2 | 5.7 | 72.0 | 7.0 | 84.4 | 8.3 | 96.2 | 9.7 | |
| 115 | 42.4 | 4.2 | 51.6 | 5.1 | 60.2 | 6.0 | 72.0 | 7.4 | 84.4 | 8.8 | 96.2 | 10.3 | |
| 118 | 42.4 | 4.3 | 51.6 | 5.3 | 60.2 | 6.2 | 72.0 | 7.6 | 84.4 | 9.1 | 96.2 | 10.6 | |
| 125 | 42.4 | 4.5 | 51.6 | 5.5 | 60.2 | 6.5 | 72.0 | 7.9 | 84.4 | 9.5 | 96.2 | 11.0 | |

NOTE - Power Input = Compressor + Outdoor Fan Motor.
 MBH = 1000 BTUs per hour.

HEATING CAPACITY - SINGLE MODULE | VRB144H4

| Combination (%) | Outdoor Temperature (°F) | | Indoor Temperature - °F Dry Bulb | | | | | | | | | | | |
|-----------------|--------------------------|-------|----------------------------------|----------------|----------------|----------------|----------------|----------------|----------------|----------------|----------------|----------------|----------------|----------------|
| | | | 61 | | 64 | | 67 | | 70 | | 73 | | 75 | |
| | | | Total Cap. MBH | Power Input kW | Total Cap. MBH | Power Input kW | Total Cap. MBH | Power Input kW | Total Cap. MBH | Power Input kW | Total Cap. MBH | Power Input kW | Total Cap. MBH | Power Input kW |
| Dry Bulb | Wet Bulb | | | | | | | | | | | | | |
| 130% | -13 | -14 | 94.6 | 9.7 | 94.4 | 9.9 | 94.2 | 10.2 | 93.9 | 10.5 | 93.7 | 10.8 | 93.5 | 11.0 |
| | -8 | -9 | 97.6 | 10.0 | 97.3 | 10.2 | 97.1 | 10.5 | 96.9 | 10.8 | 96.6 | 11.1 | 96.5 | 11.4 |
| | -3 | -4 | 103.5 | 10.5 | 103.3 | 10.8 | 103.0 | 11.1 | 102.8 | 11.4 | 102.5 | 11.7 | 102.3 | 12.0 |
| | 2 | 1 | 111.6 | 11.2 | 111.3 | 11.5 | 111.1 | 11.8 | 110.8 | 12.1 | 110.5 | 12.5 | 110.3 | 12.7 |
| | 7 | 6 | 121.0 | 11.9 | 120.7 | 12.2 | 120.4 | 12.5 | 120.1 | 12.9 | 119.8 | 13.3 | 119.6 | 13.5 |
| | 12 | 10 | 131.0 | 12.6 | 130.7 | 12.9 | 130.4 | 13.2 | 130.1 | 13.6 | 129.7 | 14.0 | 129.5 | 14.2 |
| | 17 | 15 | 141.1 | 13.2 | 140.8 | 13.5 | 140.4 | 13.8 | 140.1 | 14.2 | 139.7 | 14.6 | 139.5 | 14.8 |
| | 22 | 20 | 150.8 | 13.6 | 150.4 | 13.9 | 150.0 | 14.3 | 149.7 | 14.6 | 149.3 | 15.0 | 149.0 | 15.3 |
| | 27 | 24 | 159.6 | 13.9 | 159.2 | 14.2 | 158.8 | 14.5 | 158.4 | 14.9 | 158.0 | 15.2 | 157.8 | 15.5 |
| | 32 | 29 | 167.4 | 14.0 | 167.0 | 14.3 | 166.6 | 14.6 | 166.1 | 14.9 | 165.8 | 15.1 | 165.5 | 14.9 |
| | 37 | 34 | 173.9 | 13.9 | 173.4 | 14.2 | 173.0 | 14.4 | 172.7 | 14.4 | 172.4 | 14.1 | 172.1 | 13.9 |
| | 42 | 38 | 179.0 | 13.6 | 178.7 | 13.9 | 178.4 | 13.7 | 178.1 | 13.5 | 177.7 | 13.2 | 177.4 | 13.0 |
| | 47 | 43 | 188.8 | 13.5 | 188.5 | 13.3 | 188.1 | 13.1 | 187.8 | 12.9 | 187.5 | 12.8 | 187.2 | 12.6 |
| | 52 | 47 | 206.3 | 13.5 | 206.0 | 13.3 | 205.7 | 13.2 | 205.3 | 13.0 | 197.3 | 12.4 | 188.7 | 11.8 |
| | 57 | 52 | 223.1 | 13.4 | 222.8 | 13.2 | 222.5 | 13.1 | 210.6 | 12.3 | 197.3 | 11.5 | 188.7 | 10.9 |
| | 62 | 56 | 239.4 | 13.3 | 236.4 | 13.0 | 223.9 | 12.3 | 210.6 | 11.5 | 197.3 | 10.7 | 188.7 | 10.2 |
| | 67 | 61 | 249.7 | 12.9 | 236.4 | 12.1 | 223.9 | 11.4 | 210.6 | 10.7 | 197.3 | 10.0 | 188.7 | 9.6 |
| | 72 | 66 | 249.7 | 12.0 | 236.4 | 11.3 | 223.9 | 10.7 | 210.6 | 10.1 | 197.3 | 9.4 | 188.7 | 9.0 |
| 75 | 69 | 249.7 | 11.6 | 236.4 | 10.9 | 223.9 | 10.3 | 210.6 | 9.7 | 197.3 | 9.1 | 188.7 | 8.7 | |
| 80 | 74 | 249.7 | 10.9 | 236.4 | 10.3 | 223.9 | 9.7 | 210.6 | 9.2 | 197.3 | 8.6 | 188.7 | 8.2 | |
| 120% | -13 | -14 | 94.3 | 9.5 | 94.0 | 9.7 | 93.8 | 10.0 | 93.6 | 10.3 | 93.3 | 10.6 | 93.2 | 10.8 |
| | -8 | -9 | 97.2 | 9.8 | 97.0 | 10.0 | 96.7 | 10.3 | 96.5 | 10.6 | 96.2 | 10.9 | 96.1 | 11.1 |
| | -3 | -4 | 103.1 | 10.3 | 102.9 | 10.6 | 102.6 | 10.9 | 102.4 | 11.2 | 102.1 | 11.5 | 101.9 | 11.7 |
| | 2 | 1 | 111.2 | 11.0 | 110.9 | 11.3 | 110.6 | 11.6 | 110.3 | 11.9 | 110.1 | 12.2 | 109.9 | 12.5 |
| | 7 | 6 | 120.5 | 11.7 | 120.2 | 12.0 | 119.9 | 12.3 | 119.6 | 12.6 | 119.3 | 13.0 | 119.1 | 13.2 |
| | 12 | 10 | 130.5 | 12.4 | 130.2 | 12.7 | 129.9 | 13.0 | 129.5 | 13.3 | 129.2 | 13.7 | 129.0 | 14.0 |
| | 17 | 15 | 140.6 | 12.9 | 140.2 | 13.2 | 139.9 | 13.6 | 139.5 | 13.9 | 139.2 | 14.3 | 138.9 | 14.5 |
| | 22 | 20 | 150.2 | 13.4 | 149.8 | 13.7 | 149.4 | 14.0 | 149.1 | 14.3 | 148.7 | 14.7 | 148.4 | 15.0 |
| | 27 | 24 | 159.0 | 13.6 | 158.6 | 13.9 | 158.2 | 14.2 | 157.8 | 14.6 | 157.4 | 14.9 | 157.1 | 15.2 |
| | 32 | 29 | 166.7 | 13.7 | 166.3 | 14.0 | 165.9 | 14.3 | 165.5 | 14.6 | 165.2 | 14.8 | 164.8 | 14.6 |
| | 37 | 34 | 173.2 | 13.6 | 172.8 | 13.9 | 172.3 | 14.2 | 172.0 | 14.2 | 171.7 | 13.8 | 171.4 | 13.6 |
| | 42 | 38 | 178.3 | 13.4 | 178.0 | 13.6 | 177.7 | 13.4 | 177.4 | 13.2 | 177.0 | 13.0 | 174.2 | 12.6 |
| | 47 | 43 | 188.8 | 13.3 | 188.5 | 13.1 | 188.1 | 12.9 | 187.8 | 12.7 | 182.1 | 12.2 | 174.2 | 11.6 |
| | 52 | 47 | 206.3 | 13.3 | 206.0 | 13.1 | 205.7 | 13.0 | 194.4 | 12.1 | 182.1 | 11.2 | 174.2 | 10.7 |
| | 57 | 52 | 223.1 | 13.2 | 218.2 | 12.8 | 206.7 | 12.0 | 194.4 | 11.2 | 182.1 | 10.4 | 174.2 | 9.9 |
| | 62 | 56 | 230.5 | 12.6 | 218.2 | 11.8 | 206.7 | 11.1 | 194.4 | 10.4 | 182.1 | 9.7 | 174.2 | 9.3 |
| | 67 | 61 | 230.5 | 11.7 | 218.2 | 11.0 | 206.7 | 10.4 | 194.4 | 9.7 | 182.1 | 9.1 | 174.2 | 8.7 |
| | 72 | 66 | 230.5 | 10.9 | 218.2 | 10.3 | 206.7 | 9.7 | 194.4 | 9.2 | 182.1 | 8.6 | 174.2 | 8.2 |
| 75 | 69 | 230.5 | 10.5 | 218.2 | 9.9 | 206.7 | 9.4 | 194.4 | 8.8 | 182.1 | 8.3 | 174.2 | 7.9 | |
| 80 | 74 | 230.5 | 9.9 | 218.2 | 9.4 | 206.7 | 8.9 | 194.4 | 8.3 | 182.1 | 7.8 | 174.2 | 7.5 | |
| 110% | -13 | -14 | 93.9 | 9.3 | 93.7 | 9.6 | 93.4 | 9.8 | 93.2 | 10.1 | 92.9 | 10.4 | 92.8 | 10.6 |
| | -8 | -9 | 96.8 | 9.6 | 96.6 | 9.9 | 96.3 | 10.1 | 96.1 | 10.4 | 95.9 | 10.7 | 95.7 | 10.9 |
| | -3 | -4 | 102.7 | 10.1 | 102.5 | 10.4 | 102.2 | 10.7 | 102.0 | 11.0 | 101.7 | 11.3 | 101.5 | 11.5 |
| | 2 | 1 | 110.7 | 10.8 | 110.5 | 11.1 | 110.2 | 11.3 | 109.9 | 11.7 | 109.6 | 12.0 | 109.4 | 12.2 |
| | 7 | 6 | 120.1 | 11.5 | 119.7 | 11.8 | 119.5 | 12.1 | 119.2 | 12.4 | 118.8 | 12.7 | 118.6 | 13.0 |
| | 12 | 10 | 130.0 | 12.1 | 129.7 | 12.4 | 129.4 | 12.7 | 129.0 | 13.1 | 128.7 | 13.4 | 128.5 | 13.7 |
| | 17 | 15 | 140.0 | 12.7 | 139.7 | 13.0 | 139.3 | 13.3 | 139.0 | 13.7 | 138.6 | 14.0 | 138.4 | 14.3 |
| | 22 | 20 | 149.6 | 13.1 | 149.2 | 13.4 | 148.9 | 13.7 | 148.5 | 14.1 | 148.1 | 14.4 | 147.8 | 14.7 |
| | 27 | 24 | 158.4 | 13.4 | 158.0 | 13.7 | 157.6 | 14.0 | 157.2 | 14.3 | 156.8 | 14.6 | 156.8 | 14.9 |
| | 32 | 29 | 166.1 | 13.4 | 165.6 | 13.7 | 165.2 | 14.0 | 164.8 | 14.3 | 164.5 | 14.6 | 159.7 | 13.9 |
| | 37 | 34 | 172.5 | 13.3 | 172.1 | 13.6 | 171.7 | 13.9 | 171.3 | 13.9 | 166.9 | 13.3 | 159.7 | 12.5 |
| | 42 | 38 | 177.6 | 13.1 | 177.3 | 13.4 | 177.0 | 13.2 | 176.6 | 12.9 | 166.9 | 12.0 | 159.7 | 11.4 |
| | 47 | 43 | 188.8 | 13.1 | 188.5 | 12.9 | 188.1 | 12.7 | 178.2 | 11.9 | 166.9 | 11.0 | 159.7 | 10.4 |
| | 52 | 47 | 206.3 | 13.1 | 200.1 | 12.5 | 189.5 | 11.7 | 178.2 | 10.9 | 166.9 | 10.1 | 159.7 | 9.6 |
| | 57 | 52 | 211.3 | 12.3 | 200.1 | 11.5 | 189.5 | 10.8 | 178.2 | 10.1 | 166.9 | 9.4 | 159.7 | 9.0 |
| | 62 | 56 | 211.3 | 11.3 | 200.1 | 10.7 | 189.5 | 10.1 | 178.2 | 9.4 | 166.9 | 8.8 | 159.7 | 8.4 |
| | 67 | 61 | 211.3 | 10.5 | 200.1 | 9.9 | 189.5 | 9.4 | 178.2 | 8.8 | 166.9 | 8.2 | 159.7 | 7.8 |
| | 72 | 66 | 211.3 | 9.9 | 200.1 | 9.3 | 189.5 | 8.8 | 178.2 | 8.3 | 166.9 | 7.7 | 159.7 | 7.4 |
| 75 | 69 | 211.3 | 9.5 | 200.1 | 9.0 | 189.5 | 8.5 | 178.2 | 8.0 | 166.9 | 7.5 | 159.7 | 7.1 | |
| 80 | 74 | 211.3 | 8.9 | 200.1 | 8.4 | 189.5 | 8.0 | 178.2 | 7.5 | 166.9 | 7.1 | 159.7 | 6.7 | |

NOTE - Power Input = Compressor + Outdoor Fan Motor.
 MBH = 1000 BTUs per hour.

HEATING CAPACITY - SINGLE MODULE | VRB144H4

| Combination (%) | Outdoor Temperature (°F) | | Indoor Temperature - °F Dry Bulb | | | | | | | | | | | |
|-----------------|--------------------------|----------|----------------------------------|----------------|----------------|----------------|----------------|----------------|----------------|----------------|----------------|----------------|----------------|----------------|
| | | | 61 | | 64 | | 67 | | 70 | | 73 | | 75 | |
| | Dry Bulb | Wet Bulb | Total Cap. MBH | Power Input kW | Total Cap. MBH | Power Input kW | Total Cap. MBH | Power Input kW | Total Cap. MBH | Power Input kW | Total Cap. MBH | Power Input kW | Total Cap. MBH | Power Input kW |
| 100% | -13 | -14 | 93.5 | 9.1 | 93.3 | 9.4 | 93.1 | 9.6 | 92.8 | 9.9 | 92.6 | 10.2 | 92.4 | 10.4 |
| | -8 | -9 | 96.4 | 9.4 | 96.2 | 9.7 | 96.0 | 9.9 | 95.7 | 10.2 | 95.5 | 10.5 | 95.3 | 10.7 |
| | -3 | -4 | 102.3 | 9.9 | 102.1 | 10.2 | 101.8 | 10.5 | 101.6 | 10.8 | 101.3 | 11.1 | 101.1 | 11.3 |
| | 2 | 1 | 110.3 | 10.6 | 110.0 | 10.8 | 109.7 | 11.1 | 109.5 | 11.4 | 109.2 | 11.8 | 109.0 | 12.0 |
| | 7 | 6 | 119.6 | 11.2 | 119.3 | 11.5 | 119.0 | 11.8 | 118.7 | 12.2 | 118.4 | 12.5 | 118.2 | 12.7 |
| | 12 | 10 | 129.5 | 11.9 | 129.2 | 12.2 | 128.8 | 12.5 | 128.5 | 12.8 | 128.2 | 13.2 | 128.0 | 13.4 |
| | 17 | 15 | 139.5 | 12.4 | 139.1 | 12.7 | 138.8 | 13.1 | 138.4 | 13.4 | 138.1 | 13.8 | 137.8 | 14.0 |
| | 22 | 20 | 149.0 | 12.9 | 148.6 | 13.2 | 148.3 | 13.5 | 147.9 | 13.8 | 147.5 | 14.2 | 145.1 | 14.2 |
| | 27 | 24 | 157.7 | 13.1 | 157.3 | 13.4 | 157.0 | 13.7 | 156.6 | 14.0 | 151.8 | 14.0 | 145.1 | 13.6 |
| | 32 | 29 | 165.4 | 13.2 | 165.0 | 13.5 | 164.6 | 13.7 | 162.0 | 13.9 | 151.8 | 13.2 | 145.1 | 12.4 |
| | 37 | 34 | 171.8 | 13.1 | 171.4 | 13.4 | 171.0 | 13.6 | 162.0 | 12.9 | 151.8 | 11.9 | 145.1 | 11.2 |
| | 42 | 38 | 176.9 | 12.9 | 176.5 | 13.1 | 172.2 | 12.6 | 162.0 | 11.7 | 151.8 | 10.8 | 145.1 | 10.2 |
| | 47 | 43 | 180.7 | 12.4 | 180.2 | 12.2 | 172.2 | 11.5 | 162.0 | 10.7 | 151.8 | 9.9 | 145.1 | 9.3 |
| | 52 | 47 | 183.3 | 11.4 | 181.9 | 11.2 | 172.2 | 10.5 | 162.0 | 9.8 | 151.8 | 9.1 | 145.1 | 8.6 |
| | 57 | 52 | 184.9 | 10.6 | 181.9 | 10.3 | 172.2 | 9.7 | 162.0 | 9.1 | 151.8 | 8.4 | 145.1 | 8.0 |
| | 62 | 56 | 186.0 | 9.8 | 181.9 | 9.6 | 172.2 | 9.0 | 162.0 | 8.4 | 151.8 | 7.9 | 145.1 | 7.5 |
| | 67 | 61 | 186.8 | 9.2 | 181.9 | 8.9 | 172.2 | 8.4 | 162.0 | 7.9 | 151.8 | 7.4 | 145.1 | 7.0 |
| | 72 | 66 | 187.9 | 8.6 | 181.9 | 8.3 | 172.2 | 7.9 | 162.0 | 7.4 | 151.8 | 6.9 | 145.1 | 6.6 |
| 75 | 69 | 189.0 | 8.3 | 181.9 | 8.0 | 172.2 | 7.6 | 162.0 | 7.1 | 151.8 | 6.7 | 145.1 | 6.4 | |
| 80 | 74 | 192.0 | 8.0 | 181.9 | 7.6 | 172.2 | 7.2 | 162.0 | 6.7 | 151.8 | 6.3 | 145.1 | 6.0 | |
| 90% | -13 | -14 | 93.1 | 9.0 | 92.9 | 9.2 | 92.7 | 9.4 | 92.4 | 9.7 | 92.2 | 10.0 | 92.1 | 10.2 |
| | -8 | -9 | 96.1 | 9.2 | 95.8 | 9.5 | 95.6 | 9.7 | 95.3 | 10.0 | 95.1 | 10.3 | 94.9 | 10.5 |
| | -3 | -4 | 101.9 | 9.7 | 101.7 | 10.0 | 101.4 | 10.3 | 101.1 | 10.6 | 100.9 | 10.9 | 100.7 | 11.1 |
| | 2 | 1 | 109.9 | 10.4 | 109.6 | 10.6 | 109.3 | 10.9 | 109.0 | 11.2 | 108.7 | 11.6 | 108.6 | 11.8 |
| | 7 | 6 | 119.1 | 11.0 | 118.8 | 11.3 | 118.5 | 11.6 | 118.2 | 11.9 | 117.9 | 12.3 | 117.7 | 12.5 |
| | 12 | 10 | 129.0 | 11.7 | 128.6 | 12.0 | 128.3 | 12.3 | 128.0 | 12.6 | 127.7 | 12.9 | 127.5 | 13.2 |
| | 17 | 15 | 138.9 | 12.2 | 138.5 | 12.5 | 138.2 | 12.8 | 137.9 | 13.1 | 136.6 | 13.4 | 130.6 | 13.1 |
| | 22 | 20 | 148.4 | 12.6 | 148.0 | 12.9 | 147.7 | 13.2 | 145.8 | 13.4 | 136.6 | 12.9 | 130.6 | 12.6 |
| | 27 | 24 | 157.1 | 12.9 | 156.7 | 13.1 | 155.0 | 13.3 | 145.8 | 12.9 | 136.6 | 12.4 | 130.6 | 12.1 |
| | 32 | 29 | 164.7 | 12.9 | 163.7 | 13.2 | 155.0 | 12.8 | 145.8 | 12.3 | 136.6 | 11.7 | 130.6 | 11.0 |
| | 37 | 34 | 171.1 | 12.8 | 163.7 | 12.6 | 155.0 | 12.2 | 145.8 | 11.5 | 136.6 | 10.5 | 130.6 | 9.9 |
| | 42 | 38 | 172.9 | 12.4 | 163.7 | 12.0 | 155.0 | 11.2 | 145.8 | 10.4 | 136.6 | 9.6 | 130.6 | 9.0 |
| | 47 | 43 | 172.9 | 11.7 | 163.7 | 10.9 | 155.0 | 10.2 | 145.8 | 9.5 | 136.6 | 8.7 | 130.6 | 8.3 |
| | 52 | 47 | 172.9 | 10.6 | 163.7 | 9.9 | 155.0 | 9.3 | 145.8 | 8.7 | 136.6 | 8.1 | 130.6 | 7.7 |
| | 57 | 52 | 172.9 | 9.7 | 163.7 | 9.2 | 155.0 | 8.6 | 145.8 | 8.0 | 136.6 | 7.5 | 130.6 | 7.1 |
| | 62 | 56 | 172.9 | 9.0 | 163.7 | 8.5 | 155.0 | 8.0 | 145.8 | 7.5 | 136.6 | 7.0 | 130.6 | 6.6 |
| | 67 | 61 | 172.9 | 8.4 | 163.7 | 7.9 | 155.0 | 7.5 | 145.8 | 7.0 | 136.6 | 6.5 | 130.6 | 6.2 |
| | 72 | 66 | 172.9 | 7.8 | 163.7 | 7.4 | 155.0 | 7.0 | 145.8 | 6.6 | 136.6 | 6.1 | 130.6 | 5.9 |
| 75 | 69 | 172.9 | 7.5 | 163.7 | 7.1 | 155.0 | 6.7 | 145.8 | 6.3 | 136.6 | 5.9 | 130.6 | 5.7 | |
| 80 | 74 | 172.9 | 7.1 | 163.7 | 6.7 | 155.0 | 6.4 | 145.8 | 6.0 | 136.6 | 5.6 | 130.6 | 5.4 | |
| 80% | -13 | -14 | 92.8 | 8.8 | 92.5 | 9.0 | 92.3 | 9.3 | 92.1 | 9.5 | 91.8 | 9.8 | 91.7 | 10.0 |
| | -8 | -9 | 95.7 | 9.1 | 95.4 | 9.3 | 95.2 | 9.6 | 95.0 | 9.8 | 94.7 | 10.1 | 94.5 | 10.3 |
| | -3 | -4 | 101.5 | 9.6 | 101.2 | 9.8 | 101.0 | 10.1 | 100.7 | 10.4 | 100.5 | 10.7 | 100.3 | 10.9 |
| | 2 | 1 | 109.4 | 10.2 | 109.1 | 10.4 | 108.9 | 10.7 | 108.6 | 11.0 | 108.3 | 11.3 | 108.1 | 11.6 |
| | 7 | 6 | 118.6 | 10.8 | 118.3 | 11.1 | 118.0 | 11.4 | 117.7 | 11.7 | 117.4 | 12.0 | 116.1 | 12.2 |
| | 12 | 10 | 128.5 | 11.5 | 128.1 | 11.7 | 127.8 | 12.0 | 127.5 | 12.4 | 121.4 | 12.1 | 116.1 | 11.8 |
| | 17 | 15 | 138.3 | 12.0 | 138.0 | 12.3 | 137.7 | 12.6 | 129.6 | 12.2 | 121.4 | 11.7 | 116.1 | 11.4 |
| | 22 | 20 | 147.8 | 12.4 | 145.5 | 12.5 | 137.8 | 12.1 | 129.6 | 11.7 | 121.4 | 11.3 | 116.1 | 11.0 |
| | 27 | 24 | 153.7 | 12.4 | 145.5 | 12.0 | 137.8 | 11.7 | 129.6 | 11.3 | 121.4 | 10.8 | 116.1 | 10.6 |
| | 32 | 29 | 153.7 | 11.9 | 145.5 | 11.5 | 137.8 | 11.2 | 129.6 | 10.8 | 121.4 | 10.3 | 116.1 | 9.7 |
| | 37 | 34 | 153.7 | 11.4 | 145.5 | 11.0 | 137.8 | 10.7 | 129.6 | 10.1 | 121.4 | 9.2 | 116.1 | 8.7 |
| | 42 | 38 | 153.7 | 10.8 | 145.5 | 10.5 | 137.8 | 9.8 | 129.6 | 9.1 | 121.4 | 8.4 | 116.1 | 7.9 |
| | 47 | 43 | 153.7 | 10.2 | 145.5 | 9.5 | 137.8 | 8.9 | 129.6 | 8.3 | 121.4 | 7.7 | 116.1 | 7.3 |
| | 52 | 47 | 153.7 | 9.3 | 145.5 | 8.7 | 137.8 | 8.2 | 129.6 | 7.6 | 121.4 | 7.1 | 116.1 | 6.7 |
| | 57 | 52 | 153.7 | 8.5 | 145.5 | 8.0 | 137.8 | 7.5 | 129.6 | 7.0 | 121.4 | 6.5 | 116.1 | 6.2 |
| | 62 | 56 | 153.7 | 7.9 | 145.5 | 7.4 | 137.8 | 7.0 | 129.6 | 6.5 | 121.4 | 6.1 | 116.1 | 5.8 |
| | 67 | 61 | 153.7 | 7.3 | 145.5 | 6.9 | 137.8 | 6.5 | 129.6 | 6.1 | 121.4 | 5.7 | 116.1 | 5.5 |
| | 72 | 66 | 153.7 | 6.9 | 145.5 | 6.5 | 137.8 | 6.1 | 129.6 | 5.7 | 121.4 | 5.4 | 116.1 | 5.1 |
| 75 | 69 | 153.7 | 6.6 | 145.5 | 6.2 | 137.8 | 5.9 | 129.6 | 5.5 | 121.4 | 5.2 | 116.1 | 5.0 | |
| 80 | 74 | 153.7 | 6.2 | 145.5 | 5.9 | 137.8 | 5.6 | 129.6 | 5.2 | 121.4 | 4.9 | 116.1 | 4.7 | |

NOTE - Power Input = Compressor + Outdoor Fan Motor.
 MBH = 1000 BTUs per hour.

HEATING CAPACITY - SINGLE MODULE | VRB144H4

| Combination (%) | Outdoor Temperature (°F) | | Indoor Temperature - °F Dry Bulb | | | | | | | | | | | |
|-----------------|--------------------------|----------|----------------------------------|----------------|----------------|----------------|----------------|----------------|----------------|----------------|----------------|----------------|----------------|----------------|
| | | | 61 | | 64 | | 67 | | 70 | | 73 | | 75 | |
| | Dry Bulb | Wet Bulb | Total Cap. MBH | Power Input kW | Total Cap. MBH | Power Input kW | Total Cap. MBH | Power Input kW | Total Cap. MBH | Power Input kW | Total Cap. MBH | Power Input kW | Total Cap. MBH | Power Input kW |
| 70% | -13 | -14 | 92.4 | 8.6 | 92.2 | 8.9 | 91.9 | 9.1 | 91.7 | 9.4 | 91.5 | 9.6 | 91.3 | 9.8 |
| | -8 | -9 | 95.3 | 8.9 | 95.0 | 9.1 | 94.8 | 9.4 | 94.6 | 9.6 | 94.3 | 9.9 | 94.2 | 10.1 |
| | -3 | -4 | 101.1 | 9.4 | 100.8 | 9.6 | 100.6 | 9.9 | 100.3 | 10.2 | 100.1 | 10.5 | 99.9 | 10.7 |
| | 2 | 1 | 109.0 | 10.0 | 108.7 | 10.3 | 108.4 | 10.5 | 108.2 | 10.8 | 106.2 | 11.0 | 101.6 | 10.7 |
| | 7 | 6 | 118.1 | 10.6 | 117.8 | 10.9 | 117.6 | 11.2 | 113.4 | 11.1 | 106.2 | 10.7 | 101.6 | 10.5 |
| | 12 | 10 | 127.9 | 11.2 | 127.3 | 11.5 | 120.6 | 11.2 | 113.4 | 10.8 | 106.2 | 10.5 | 101.6 | 10.2 |
| | 17 | 15 | 134.5 | 11.5 | 127.3 | 11.2 | 120.6 | 10.9 | 113.4 | 10.5 | 106.2 | 10.1 | 101.6 | 9.9 |
| | 22 | 20 | 134.5 | 11.1 | 127.3 | 10.8 | 120.6 | 10.5 | 113.4 | 10.1 | 106.2 | 9.8 | 101.6 | 9.5 |
| | 27 | 24 | 134.5 | 10.7 | 127.3 | 10.4 | 120.6 | 10.1 | 113.4 | 9.7 | 106.2 | 9.4 | 101.6 | 9.1 |
| | 32 | 29 | 134.5 | 10.3 | 127.3 | 9.9 | 120.6 | 9.6 | 113.4 | 9.3 | 106.2 | 8.9 | 101.6 | 8.3 |
| | 37 | 34 | 134.5 | 9.8 | 127.3 | 9.5 | 120.6 | 9.2 | 113.4 | 8.7 | 106.2 | 8.0 | 101.6 | 7.5 |
| | 42 | 38 | 134.5 | 9.3 | 127.3 | 9.0 | 120.6 | 8.5 | 113.4 | 7.8 | 106.2 | 7.2 | 101.6 | 6.8 |
| | 47 | 43 | 134.5 | 8.8 | 127.3 | 8.2 | 120.6 | 7.7 | 113.4 | 7.1 | 106.2 | 6.6 | 101.6 | 6.3 |
| | 52 | 47 | 134.5 | 8.0 | 127.3 | 7.5 | 120.6 | 7.0 | 113.4 | 6.6 | 106.2 | 6.1 | 101.6 | 5.8 |
| | 57 | 52 | 134.5 | 7.4 | 127.3 | 6.9 | 120.6 | 6.5 | 113.4 | 6.1 | 106.2 | 5.6 | 101.6 | 5.4 |
| | 62 | 56 | 134.5 | 6.8 | 127.3 | 6.4 | 120.6 | 6.0 | 113.4 | 5.6 | 106.2 | 5.3 | 101.6 | 5.0 |
| | 67 | 61 | 134.5 | 6.3 | 127.3 | 6.0 | 120.6 | 5.6 | 113.4 | 5.3 | 106.2 | 4.9 | 101.6 | 4.7 |
| | 72 | 66 | 134.5 | 5.9 | 127.3 | 5.6 | 120.6 | 5.3 | 113.4 | 5.0 | 106.2 | 4.6 | 101.6 | 4.4 |
| 75 | 69 | 134.5 | 5.7 | 127.3 | 5.4 | 120.6 | 5.1 | 113.4 | 4.8 | 106.2 | 4.5 | 101.6 | 4.3 | |
| 80 | 74 | 134.5 | 5.3 | 127.3 | 5.1 | 120.6 | 4.8 | 113.4 | 4.5 | 106.2 | 4.2 | 101.6 | 4.0 | |
| 60% | -13 | -14 | 92.0 | 8.5 | 91.8 | 8.7 | 91.6 | 8.9 | 91.3 | 9.2 | 91.1 | 9.5 | 87.1 | 9.2 |
| | -8 | -9 | 94.9 | 8.7 | 94.7 | 9.0 | 94.4 | 9.2 | 94.2 | 9.5 | 91.1 | 9.5 | 87.1 | 9.2 |
| | -3 | -4 | 100.7 | 9.2 | 100.4 | 9.5 | 100.2 | 9.7 | 97.2 | 9.7 | 91.1 | 9.4 | 87.1 | 9.2 |
| | 2 | 1 | 108.5 | 9.8 | 108.3 | 10.1 | 103.3 | 9.9 | 97.2 | 9.6 | 91.1 | 9.3 | 87.1 | 9.0 |
| | 7 | 6 | 115.3 | 10.2 | 109.1 | 10.0 | 103.3 | 9.7 | 97.2 | 9.4 | 91.1 | 9.1 | 87.1 | 8.9 |
| | 12 | 10 | 115.3 | 10.0 | 109.1 | 9.7 | 103.3 | 9.5 | 97.2 | 9.2 | 91.1 | 8.8 | 87.1 | 8.6 |
| | 17 | 15 | 115.3 | 9.7 | 109.1 | 9.4 | 103.3 | 9.2 | 97.2 | 8.9 | 91.1 | 8.6 | 87.1 | 8.3 |
| | 22 | 20 | 115.3 | 9.4 | 109.1 | 9.1 | 103.3 | 8.9 | 97.2 | 8.6 | 91.1 | 8.2 | 87.1 | 8.0 |
| | 27 | 24 | 115.3 | 9.0 | 109.1 | 8.8 | 103.3 | 8.5 | 97.2 | 8.2 | 91.1 | 7.9 | 87.1 | 7.7 |
| | 32 | 29 | 115.3 | 8.7 | 109.1 | 8.4 | 103.3 | 8.1 | 97.2 | 7.9 | 91.1 | 7.5 | 87.1 | 7.0 |
| | 37 | 34 | 115.3 | 8.3 | 109.1 | 8.0 | 103.3 | 7.8 | 97.2 | 7.3 | 91.1 | 6.7 | 87.1 | 6.3 |
| | 42 | 38 | 115.3 | 7.9 | 109.1 | 7.6 | 103.3 | 7.2 | 97.2 | 6.6 | 91.1 | 6.1 | 87.1 | 5.8 |
| | 47 | 43 | 115.3 | 7.4 | 109.1 | 7.0 | 103.3 | 6.5 | 97.2 | 6.0 | 91.1 | 5.6 | 87.1 | 5.3 |
| | 52 | 47 | 115.3 | 6.8 | 109.1 | 6.3 | 103.3 | 6.0 | 97.2 | 5.5 | 91.1 | 5.1 | 87.1 | 4.9 |
| | 57 | 52 | 115.3 | 6.2 | 109.1 | 5.8 | 103.3 | 5.5 | 97.2 | 5.1 | 91.1 | 4.8 | 87.1 | 4.5 |
| | 62 | 56 | 115.3 | 5.7 | 109.1 | 5.4 | 103.3 | 5.1 | 97.2 | 4.8 | 91.1 | 4.4 | 87.1 | 4.2 |
| | 67 | 61 | 115.3 | 5.3 | 109.1 | 5.0 | 103.3 | 4.8 | 97.2 | 4.5 | 91.1 | 4.2 | 87.1 | 4.0 |
| | 72 | 66 | 115.3 | 5.0 | 109.1 | 4.7 | 103.3 | 4.5 | 97.2 | 4.2 | 91.1 | 3.9 | 87.1 | 3.7 |
| 75 | 69 | 115.3 | 4.8 | 109.1 | 4.5 | 103.3 | 4.3 | 97.2 | 4.0 | 91.1 | 3.8 | 87.1 | 3.6 | |
| 80 | 74 | 115.3 | 4.5 | 109.1 | 4.3 | 103.3 | 4.1 | 97.2 | 3.8 | 91.1 | 3.6 | 87.1 | 3.4 | |
| 50% | -13 | -14 | 91.6 | 8.3 | 90.9 | 8.5 | 86.1 | 8.3 | 81.0 | 8.0 | 75.9 | 7.8 | 72.6 | 7.6 |
| | -8 | -9 | 94.5 | 8.6 | 90.9 | 8.5 | 86.1 | 8.3 | 81.0 | 8.0 | 75.9 | 7.8 | 72.6 | 7.6 |
| | -3 | -4 | 96.1 | 8.7 | 90.9 | 8.4 | 86.1 | 8.2 | 81.0 | 8.0 | 75.9 | 7.7 | 72.6 | 7.5 |
| | 2 | 1 | 96.1 | 8.6 | 90.9 | 8.3 | 86.1 | 8.1 | 81.0 | 7.9 | 75.9 | 7.6 | 72.6 | 7.4 |
| | 7 | 6 | 96.1 | 8.4 | 90.9 | 8.2 | 86.1 | 8.0 | 81.0 | 7.7 | 75.9 | 7.5 | 72.6 | 7.3 |
| | 12 | 10 | 96.1 | 8.2 | 90.9 | 8.0 | 86.1 | 7.8 | 81.0 | 7.5 | 75.9 | 7.3 | 72.6 | 7.1 |
| | 17 | 15 | 96.1 | 8.0 | 90.9 | 7.8 | 86.1 | 7.5 | 81.0 | 7.3 | 75.9 | 7.0 | 72.6 | 6.9 |
| | 22 | 20 | 96.1 | 7.7 | 90.9 | 7.5 | 86.1 | 7.3 | 81.0 | 7.0 | 75.9 | 6.8 | 72.6 | 6.6 |
| | 27 | 24 | 96.1 | 7.4 | 90.9 | 7.2 | 86.1 | 7.0 | 81.0 | 6.7 | 75.9 | 6.5 | 72.6 | 6.3 |
| | 32 | 29 | 96.1 | 7.1 | 90.9 | 6.9 | 86.1 | 6.7 | 81.0 | 6.5 | 75.9 | 6.2 | 72.6 | 5.8 |
| | 37 | 34 | 96.1 | 6.8 | 90.9 | 6.6 | 86.1 | 6.4 | 81.0 | 6.0 | 75.9 | 5.5 | 72.6 | 5.2 |
| | 42 | 38 | 96.1 | 6.5 | 90.9 | 6.3 | 86.1 | 5.9 | 81.0 | 5.4 | 75.9 | 5.0 | 72.6 | 4.7 |
| | 47 | 43 | 96.1 | 6.1 | 90.9 | 5.7 | 86.1 | 5.3 | 81.0 | 5.0 | 75.9 | 4.6 | 72.6 | 4.3 |
| | 52 | 47 | 96.1 | 5.6 | 90.9 | 5.2 | 86.1 | 4.9 | 81.0 | 4.6 | 75.9 | 4.2 | 72.6 | 4.0 |
| | 57 | 52 | 96.1 | 5.1 | 90.9 | 4.8 | 86.1 | 4.5 | 81.0 | 4.2 | 75.9 | 3.9 | 72.6 | 3.7 |
| | 62 | 56 | 96.1 | 4.7 | 90.9 | 4.4 | 86.1 | 4.2 | 81.0 | 3.9 | 75.9 | 3.7 | 72.6 | 3.5 |
| | 67 | 61 | 96.1 | 4.4 | 90.9 | 4.1 | 86.1 | 3.9 | 81.0 | 3.7 | 75.9 | 3.4 | 72.6 | 3.3 |
| | 72 | 66 | 96.1 | 4.1 | 90.9 | 3.9 | 86.1 | 3.7 | 81.0 | 3.4 | 75.9 | 3.2 | 72.6 | 3.1 |
| 75 | 69 | 96.1 | 3.9 | 90.9 | 3.7 | 86.1 | 3.5 | 81.0 | 3.3 | 75.9 | 3.1 | 72.6 | 3.0 | |
| 80 | 74 | 96.1 | 3.7 | 90.9 | 3.5 | 86.1 | 3.3 | 81.0 | 3.1 | 75.9 | 2.9 | 72.6 | 2.8 | |

NOTE - Power Input = Compressor + Outdoor Fan Motor.
 MBH = 1000 BTUs per hour.

COOLING CAPACITY - SINGLE MODULE | VRB168H4

| Combination (%) | Outdoor Temperature °F (Dry Bulb) | Indoor Temperature - °F (Dry Bulb / Wet Bulb) | | | | | | | | | | | |
|-----------------|-----------------------------------|---|-------------|------------|-------------|------------|-------------|------------|-------------|------------|-------------|------------|-------------|
| | | 67 / 57 | | 71 / 60 | | 75 / 63 | | 80 / 67 | | 85 / 71 | | 90 / 75 | |
| | | Total Cap. | Power Input | Total Cap. | Power Input | Total Cap. | Power Input | Total Cap. | Power Input | Total Cap. | Power Input | Total Cap. | Power Input |
| | | MBH | kW | MBH | kW | MBH | kW | MBH | kW | MBH | kW | MBH | kW |
| 130% | -10 | 128.8 | 4.5 | 156.5 | 5.5 | 182.5 | 6.5 | 218.4 | 7.9 | 255.9 | 9.5 | 291.7 | 11.1 |
| | -5 | 128.8 | 4.7 | 156.5 | 5.8 | 182.5 | 6.9 | 218.4 | 8.4 | 255.9 | 10.1 | 278.5 | 11.2 |
| | 10 | 128.8 | 4.9 | 156.5 | 6.0 | 182.5 | 7.0 | 218.4 | 8.6 | 255.9 | 10.3 | 273.8 | 11.3 |
| | 15 | 128.8 | 5.0 | 156.5 | 6.1 | 182.5 | 7.2 | 218.4 | 8.8 | 255.9 | 10.5 | 268.5 | 11.3 |
| | 20 | 128.8 | 5.1 | 156.5 | 6.2 | 182.5 | 7.4 | 218.4 | 9.0 | 255.9 | 10.7 | 263.3 | 11.3 |
| | 25 | 128.8 | 5.2 | 156.5 | 6.4 | 182.5 | 7.5 | 218.4 | 9.2 | 255.9 | 11.0 | 257.9 | 11.3 |
| | 30 | 128.8 | 5.3 | 156.5 | 6.5 | 182.5 | 7.7 | 218.4 | 9.4 | 249.5 | 11.0 | 252.9 | 11.4 |
| | 35 | 128.8 | 5.4 | 156.5 | 6.7 | 182.5 | 7.9 | 218.4 | 9.6 | 244.8 | 11.0 | 248.1 | 11.4 |
| | 40 | 128.8 | 5.6 | 156.5 | 6.8 | 182.5 | 8.1 | 218.4 | 9.8 | 242.2 | 11.2 | 245.6 | 11.6 |
| | 45 | 128.8 | 5.7 | 156.5 | 7.0 | 182.5 | 8.3 | 218.4 | 10.1 | 241.9 | 11.4 | 245.2 | 11.9 |
| | 50 | 128.8 | 5.9 | 156.5 | 7.2 | 182.5 | 8.5 | 218.4 | 10.4 | 241.9 | 11.7 | 245.2 | 12.2 |
| | 55 | 128.8 | 6.0 | 156.5 | 7.4 | 182.5 | 8.7 | 218.4 | 10.6 | 242.2 | 12.0 | 245.5 | 12.5 |
| | 60 | 128.8 | 6.2 | 156.5 | 7.6 | 182.5 | 9.0 | 218.4 | 10.9 | 243.4 | 12.4 | 246.0 | 12.9 |
| | 65 | 128.8 | 6.3 | 156.5 | 7.8 | 182.5 | 9.2 | 218.4 | 11.2 | 241.7 | 12.7 | 246.3 | 13.2 |
| | 70 | 128.8 | 6.9 | 156.5 | 8.5 | 182.5 | 10.0 | 218.4 | 12.2 | 241.8 | 13.8 | 246.4 | 14.4 |
| | 75 | 128.8 | 7.6 | 156.5 | 9.3 | 182.5 | 11.0 | 218.4 | 13.4 | 241.3 | 15.1 | 245.9 | 15.8 |
| | 80 | 128.8 | 8.3 | 156.5 | 10.2 | 182.5 | 12.1 | 218.4 | 14.7 | 239.9 | 16.5 | 244.5 | 17.2 |
| | 85 | 128.8 | 9.1 | 156.5 | 11.2 | 182.5 | 13.2 | 218.4 | 16.1 | 237.3 | 17.9 | 241.8 | 18.7 |
| | 90 | 128.8 | 10.0 | 156.5 | 12.3 | 182.5 | 14.5 | 218.4 | 17.7 | 232.8 | 19.3 | 237.3 | 20.1 |
| | 95 | 128.8 | 10.9 | 156.5 | 13.4 | 182.5 | 15.8 | 210.8 | 18.6 | 214.1 | 19.4 | 217.5 | 20.1 |
| 100 | 128.8 | 11.9 | 156.5 | 14.6 | 182.5 | 17.2 | 201.2 | 19.3 | 204.5 | 20.1 | 208.5 | 21.0 | |
| 105 | 128.8 | 12.8 | 156.5 | 15.7 | 182.5 | 18.6 | 186.9 | 19.4 | 192.5 | 20.4 | 196.2 | 21.3 | |
| 110 | 128.8 | 13.7 | 156.5 | 16.9 | 165.2 | 18.0 | 171.6 | 19.1 | 176.7 | 20.1 | 180.1 | 20.9 | |
| 115 | 128.8 | 14.5 | 141.4 | 16.1 | 146.3 | 16.9 | 151.9 | 17.8 | 156.4 | 18.8 | 159.4 | 19.6 | |
| 118 | 122.6 | 14.2 | 128.0 | 15.0 | 132.5 | 15.7 | 137.6 | 16.6 | 141.7 | 17.5 | 144.4 | 18.3 | |
| 125 | 86.4 | 10.4 | 90.2 | 11.0 | 93.3 | 11.5 | 96.9 | 12.2 | 99.8 | 12.9 | 101.7 | 13.4 | |
| 120% | -10 | 118.9 | 4.1 | 144.4 | 5.0 | 168.5 | 5.9 | 201.6 | 7.2 | 236.2 | 8.6 | 269.3 | 10.0 |
| | -5 | 118.9 | 4.3 | 144.4 | 5.3 | 168.5 | 6.3 | 201.6 | 7.6 | 236.2 | 9.1 | 269.3 | 10.7 |
| | 10 | 118.9 | 4.4 | 144.4 | 5.4 | 168.5 | 6.4 | 201.6 | 7.8 | 236.2 | 9.3 | 269.1 | 10.9 |
| | 15 | 118.9 | 4.5 | 144.4 | 5.5 | 168.5 | 6.5 | 201.6 | 8.0 | 236.2 | 9.5 | 263.9 | 10.9 |
| | 20 | 118.9 | 4.6 | 144.4 | 5.7 | 168.5 | 6.7 | 201.6 | 8.1 | 236.2 | 9.8 | 258.7 | 10.9 |
| | 25 | 118.9 | 4.7 | 144.4 | 5.8 | 168.5 | 6.8 | 201.6 | 8.3 | 236.2 | 10.0 | 253.3 | 11.0 |
| | 30 | 118.9 | 4.8 | 144.4 | 5.9 | 168.5 | 7.0 | 201.6 | 8.5 | 236.2 | 10.2 | 248.3 | 11.0 |
| | 35 | 118.9 | 4.9 | 144.4 | 6.1 | 168.5 | 7.2 | 201.6 | 8.7 | 236.2 | 10.5 | 243.6 | 11.0 |
| | 40 | 118.9 | 5.1 | 144.4 | 6.2 | 168.5 | 7.3 | 201.6 | 8.9 | 236.2 | 10.7 | 240.9 | 11.2 |
| | 45 | 118.9 | 5.2 | 144.4 | 6.4 | 168.5 | 7.5 | 201.6 | 9.2 | 236.2 | 11.0 | 240.6 | 11.5 |
| | 50 | 118.9 | 5.3 | 144.4 | 6.5 | 168.5 | 7.7 | 201.6 | 9.4 | 236.2 | 11.3 | 240.6 | 11.8 |
| | 55 | 118.9 | 5.5 | 144.4 | 6.7 | 168.5 | 7.9 | 201.6 | 9.7 | 236.2 | 11.6 | 240.9 | 12.1 |
| | 60 | 118.9 | 5.6 | 144.4 | 6.9 | 168.5 | 8.1 | 201.6 | 9.9 | 236.2 | 11.9 | 241.3 | 12.4 |
| | 65 | 118.9 | 5.8 | 144.4 | 7.1 | 168.5 | 8.4 | 201.6 | 10.2 | 236.2 | 12.2 | 241.7 | 12.8 |
| | 70 | 118.9 | 6.3 | 144.4 | 7.7 | 168.5 | 9.1 | 201.6 | 11.1 | 236.2 | 13.3 | 241.8 | 13.9 |
| | 75 | 118.9 | 6.9 | 144.4 | 8.5 | 168.5 | 10.0 | 201.6 | 12.2 | 236.2 | 14.6 | 241.3 | 15.3 |
| | 80 | 118.9 | 7.6 | 144.4 | 9.3 | 168.5 | 11.0 | 201.6 | 13.4 | 235.4 | 16.0 | 239.9 | 16.7 |
| | 85 | 118.9 | 8.3 | 144.4 | 10.2 | 168.5 | 12.0 | 201.6 | 14.7 | 232.8 | 17.3 | 237.2 | 18.1 |
| | 90 | 118.9 | 9.1 | 144.4 | 11.2 | 168.5 | 13.2 | 201.6 | 16.1 | 228.5 | 18.6 | 232.8 | 19.4 |
| | 95 | 118.9 | 9.9 | 144.4 | 12.2 | 168.5 | 14.4 | 201.6 | 17.5 | 214.1 | 19.1 | 217.5 | 19.8 |
| 100 | 118.9 | 10.8 | 144.4 | 13.3 | 168.5 | 15.7 | 201.6 | 19.1 | 204.5 | 19.8 | 208.5 | 20.7 | |
| 105 | 118.9 | 11.6 | 144.4 | 14.3 | 168.5 | 16.9 | 186.9 | 19.1 | 192.5 | 20.1 | 196.2 | 21.0 | |
| 110 | 118.9 | 12.5 | 144.4 | 15.3 | 165.2 | 17.7 | 171.6 | 18.8 | 176.7 | 19.7 | 180.1 | 20.6 | |
| 115 | 118.9 | 13.2 | 141.4 | 15.9 | 146.3 | 16.6 | 151.9 | 17.6 | 156.4 | 18.5 | 159.4 | 19.3 | |
| 118 | 118.9 | 13.6 | 128.0 | 14.8 | 132.5 | 15.5 | 137.6 | 16.4 | 141.7 | 17.2 | 144.4 | 18.0 | |
| 125 | 86.4 | 10.3 | 90.2 | 10.9 | 93.3 | 11.4 | 96.9 | 12.0 | 99.8 | 12.7 | 101.7 | 13.2 | |

NOTE - Power Input = Compressor + Outdoor Fan Motor.
 MBH = 1000 BTUs per hour.

COOLING CAPACITY - SINGLE MODULE | VRB168H4

| Combination (%) | Outdoor Temperature °F (Dry Bulb) | Indoor Temperature - °F (Dry Bulb / Wet Bulb) | | | | | | | | | | | |
|-----------------|-----------------------------------|---|-------------|------------|-------------|------------|-------------|--------------|-------------|------------|-------------|------------|-------------|
| | | 67 / 57 | | 71 / 60 | | 75 / 63 | | 80 / 67 | | 85 / 71 | | 90 / 75 | |
| | | Total Cap. | Power Input | Total Cap. | Power Input | Total Cap. | Power Input | Total Cap. | Power Input | Total Cap. | Power Input | Total Cap. | Power Input |
| | | MBH | KW | MBH | KW | MBH | KW | MBH | KW | MBH | KW | MBH | KW |
| 110% | -10 | 108.9 | 3.7 | 132.4 | 4.5 | 154.5 | 5.3 | 184.8 | 6.5 | 216.5 | 7.8 | 246.9 | 9.1 |
| | -5 | 108.9 | 3.9 | 132.4 | 4.8 | 154.5 | 5.7 | 184.8 | 6.9 | 216.5 | 8.3 | 246.9 | 9.6 |
| | 10 | 108.9 | 4.0 | 132.4 | 4.9 | 154.5 | 5.8 | 184.8 | 7.0 | 216.5 | 8.4 | 246.9 | 9.8 |
| | 15 | 108.9 | 4.1 | 132.4 | 5.0 | 154.5 | 5.9 | 184.8 | 7.2 | 216.5 | 8.6 | 246.9 | 10.1 |
| | 20 | 108.9 | 4.2 | 132.4 | 5.1 | 154.5 | 6.0 | 184.8 | 7.4 | 216.5 | 8.8 | 246.9 | 10.3 |
| | 25 | 108.9 | 4.3 | 132.4 | 5.2 | 154.5 | 6.2 | 184.8 | 7.5 | 216.5 | 9.0 | 246.9 | 10.5 |
| | 30 | 108.9 | 4.4 | 132.4 | 5.3 | 154.5 | 6.3 | 184.8 | 7.7 | 216.5 | 9.2 | 243.7 | 10.6 |
| | 35 | 108.9 | 4.5 | 132.4 | 5.5 | 154.5 | 6.5 | 184.8 | 7.9 | 216.5 | 9.4 | 239.1 | 10.7 |
| | 40 | 108.9 | 4.6 | 132.4 | 5.6 | 154.5 | 6.6 | 184.8 | 8.1 | 216.5 | 9.7 | 236.3 | 10.8 |
| | 45 | 108.9 | 4.7 | 132.4 | 5.8 | 154.5 | 6.8 | 184.8 | 8.3 | 216.5 | 9.9 | 236.0 | 11.1 |
| | 50 | 108.9 | 4.8 | 132.4 | 5.9 | 154.5 | 7.0 | 184.8 | 8.5 | 216.5 | 10.2 | 236.0 | 11.4 |
| | 55 | 108.9 | 4.9 | 132.4 | 6.1 | 154.5 | 7.2 | 184.8 | 8.7 | 216.5 | 10.4 | 236.3 | 11.7 |
| | 60 | 108.9 | 5.1 | 132.4 | 6.2 | 154.5 | 7.3 | 184.8 | 9.0 | 216.5 | 10.7 | 236.7 | 12.0 |
| | 65 | 108.9 | 5.2 | 132.4 | 6.4 | 154.5 | 7.6 | 184.8 | 9.2 | 216.5 | 11.0 | 237.0 | 12.4 |
| | 70 | 108.9 | 5.7 | 132.4 | 7.0 | 154.5 | 8.2 | 184.8 | 10.0 | 216.5 | 12.0 | 237.1 | 13.5 |
| | 75 | 108.9 | 6.2 | 132.4 | 7.6 | 154.5 | 9.0 | 184.8 | 11.0 | 216.5 | 13.2 | 236.7 | 14.7 |
| | 80 | 108.9 | 6.8 | 132.4 | 8.4 | 154.5 | 9.9 | 184.8 | 12.1 | 216.5 | 14.5 | 235.3 | 16.1 |
| | 85 | 108.9 | 7.5 | 132.4 | 9.2 | 154.5 | 10.9 | 184.8 | 13.2 | 216.5 | 15.9 | 232.7 | 17.5 |
| | 90 | 108.9 | 8.2 | 132.4 | 10.1 | 154.5 | 11.9 | 184.8 | 14.5 | 216.5 | 17.4 | 228.4 | 18.8 |
| | 95 | 108.9 | 9.0 | 132.4 | 11.0 | 154.5 | 13.0 | 184.8 | 15.8 | 216.5 | 19.0 | 217.5 | 19.5 |
| 100 | 108.9 | 9.7 | 132.4 | 12.0 | 154.5 | 14.1 | 184.8 | 17.2 | 204.5 | 19.5 | 208.5 | 20.3 | |
| 105 | 108.9 | 10.5 | 132.4 | 12.9 | 154.5 | 15.3 | 184.8 | 18.6 | 192.5 | 19.8 | 196.2 | 20.7 | |
| 110 | 108.9 | 11.2 | 132.4 | 13.8 | 154.5 | 16.3 | 171.6 | 18.5 | 176.7 | 19.4 | 180.1 | 20.3 | |
| 115 | 108.9 | 11.9 | 132.4 | 14.6 | 146.3 | 16.4 | 151.9 | 17.3 | 156.4 | 18.2 | 159.4 | 19.0 | |
| 118 | 108.9 | 12.2 | 128.0 | 14.5 | 132.5 | 15.2 | 137.6 | 16.1 | 141.7 | 17.0 | 144.4 | 17.7 | |
| 125 | 86.4 | 10.1 | 90.2 | 10.7 | 93.3 | 11.2 | 96.9 | 11.8 | 99.8 | 12.5 | 101.7 | 13.0 | |
| 100% | -10 | 99.0 | 3.3 | 120.4 | 4.0 | 140.4 | 4.8 | 168.0 | 5.8 | 196.8 | 7.0 | 224.4 | 8.1 |
| | -5 | 99.0 | 3.5 | 120.4 | 4.3 | 140.4 | 5.1 | 168.0 | 6.2 | 196.8 | 7.4 | 224.4 | 8.6 |
| | 10 | 99.0 | 3.6 | 120.4 | 4.4 | 140.4 | 5.2 | 168.0 | 6.3 | 196.8 | 7.6 | 224.4 | 8.8 |
| | 15 | 99.0 | 3.6 | 120.4 | 4.5 | 140.4 | 5.3 | 168.0 | 6.4 | 196.8 | 7.7 | 224.4 | 9.0 |
| | 20 | 99.0 | 3.7 | 120.4 | 4.6 | 140.4 | 5.4 | 168.0 | 6.6 | 196.8 | 7.9 | 224.4 | 9.2 |
| | 25 | 99.0 | 3.8 | 120.4 | 4.7 | 140.4 | 5.5 | 168.0 | 6.7 | 196.8 | 8.1 | 224.4 | 9.4 |
| | 30 | 99.0 | 3.9 | 120.4 | 4.8 | 140.4 | 5.7 | 168.0 | 6.9 | 196.8 | 8.3 | 224.4 | 9.6 |
| | 35 | 99.0 | 4.0 | 120.4 | 4.9 | 140.4 | 5.8 | 168.0 | 7.1 | 196.8 | 8.5 | 224.4 | 9.9 |
| | 40 | 99.0 | 4.1 | 120.4 | 5.0 | 140.4 | 5.9 | 168.0 | 7.2 | 196.8 | 8.7 | 224.4 | 10.1 |
| | 45 | 99.0 | 4.2 | 120.4 | 5.2 | 140.4 | 6.1 | 168.0 | 7.4 | 196.8 | 8.9 | 224.4 | 10.4 |
| | 50 | 99.0 | 4.3 | 120.4 | 5.3 | 140.4 | 6.2 | 168.0 | 7.6 | 196.8 | 9.1 | 224.4 | 10.6 |
| | 55 | 99.0 | 4.4 | 120.4 | 5.4 | 140.4 | 6.4 | 168.0 | 7.8 | 196.8 | 9.3 | 224.4 | 10.9 |
| | 60 | 99.0 | 4.5 | 120.4 | 5.6 | 140.4 | 6.6 | 168.0 | 8.0 | 196.8 | 9.6 | 224.4 | 11.2 |
| | 65 | 99.0 | 4.7 | 120.4 | 5.7 | 140.4 | 6.8 | 168.0 | 8.2 | 196.8 | 9.9 | 224.4 | 11.5 |
| | 70 | 99.0 | 5.1 | 120.4 | 6.2 | 140.4 | 7.4 | 168.0 | 9.0 | 196.8 | 10.7 | 224.4 | 12.5 |
| | 75 | 99.0 | 5.6 | 120.4 | 6.8 | 140.4 | 8.1 | 168.0 | 9.8 | 196.8 | 11.8 | 224.4 | 13.8 |
| | 80 | 99.0 | 6.1 | 120.4 | 7.5 | 140.4 | 8.9 | 168.0 | 10.8 | 196.8 | 12.9 | 224.4 | 15.1 |
| | 85 | 99.0 | 6.7 | 120.4 | 8.2 | 140.4 | 9.7 | 168.0 | 11.9 | 196.8 | 14.2 | 224.4 | 16.6 |
| | 90 | 99.0 | 7.3 | 120.4 | 9.0 | 140.4 | 10.7 | 168.0 | 13.0 | 196.8 | 15.6 | 223.9 | 18.1 |
| | 95 | 99.0 | 8.0 | 120.4 | 9.9 | 140.4 | 11.6 | 168.0 | 14.2 | 196.8 | 17.0 | 217.5 | 19.2 |
| 100 | 99.0 | 8.7 | 120.4 | 10.7 | 140.4 | 12.7 | 168.0 | 15.4 | 196.8 | 18.5 | 208.5 | 20.0 | |
| 105 | 99.0 | 9.4 | 120.4 | 11.6 | 140.4 | 13.7 | 168.0 | 16.6 | 192.5 | 19.5 | 196.2 | 20.4 | |
| 110 | 99.0 | 10.1 | 120.4 | 12.4 | 140.4 | 14.6 | 168.0 | 17.8 | 176.7 | 19.2 | 180.1 | 20.0 | |
| 115 | 99.0 | 10.7 | 120.4 | 13.1 | 140.4 | 15.5 | 151.9 | 17.0 | 156.4 | 17.9 | 159.4 | 18.7 | |
| 118 | 99.0 | 11.0 | 120.4 | 13.5 | 132.5 | 15.0 | 137.6 | 15.9 | 141.7 | 16.7 | 144.4 | 17.4 | |
| 125 | 86.4 | 10.0 | 90.2 | 10.5 | 93.3 | 11.0 | 96.9 | 11.7 | 99.8 | 12.3 | 101.7 | 12.8 | |

NOTE - Power Input = Compressor + Outdoor Fan Motor.
 MBH = 1000 BTUs per hour.

COOLING CAPACITY - SINGLE MODULE | VRB168H4

| Combination (%) | Outdoor Temperature °F (Dry Bulb) | Indoor Temperature - °F (Dry Bulb / Wet Bulb) | | | | | | | | | | | |
|-----------------|-----------------------------------|---|-------------|------------|-------------|------------|-------------|------------|-------------|------------|-------------|------------|-------------|
| | | 67 / 57 | | 71 / 60 | | 75 / 63 | | 80 / 67 | | 85 / 71 | | 90 / 75 | |
| | | Total Cap. | Power Input | Total Cap. | Power Input | Total Cap. | Power Input | Total Cap. | Power Input | Total Cap. | Power Input | Total Cap. | Power Input |
| | | MBH | kW | MBH | kW | MBH | kW | MBH | kW | MBH | kW | MBH | kW |
| 90% | -10 | 89.1 | 2.9 | 108.3 | 3.6 | 126.4 | 4.2 | 151.2 | 5.1 | 177.2 | 6.2 | 202.0 | 7.2 |
| | -5 | 89.1 | 3.1 | 108.3 | 3.8 | 126.4 | 4.5 | 151.2 | 5.5 | 177.2 | 6.6 | 202.0 | 7.7 |
| | 10 | 89.1 | 3.2 | 108.3 | 3.9 | 126.4 | 4.6 | 151.2 | 5.6 | 177.2 | 6.7 | 202.0 | 7.8 |
| | 15 | 89.1 | 3.2 | 108.3 | 4.0 | 126.4 | 4.7 | 151.2 | 5.7 | 177.2 | 6.8 | 202.0 | 8.0 |
| | 20 | 89.1 | 3.3 | 108.3 | 4.1 | 126.4 | 4.8 | 151.2 | 5.8 | 177.2 | 7.0 | 202.0 | 8.2 |
| | 25 | 89.1 | 3.4 | 108.3 | 4.1 | 126.4 | 4.9 | 151.2 | 6.0 | 177.2 | 7.2 | 202.0 | 8.4 |
| | 30 | 89.1 | 3.5 | 108.3 | 4.2 | 126.4 | 5.0 | 151.2 | 6.1 | 177.2 | 7.3 | 202.0 | 8.5 |
| | 35 | 89.1 | 3.5 | 108.3 | 4.3 | 126.4 | 5.1 | 151.2 | 6.3 | 177.2 | 7.5 | 202.0 | 8.8 |
| | 40 | 89.1 | 3.6 | 108.3 | 4.5 | 126.4 | 5.3 | 151.2 | 6.4 | 177.2 | 7.7 | 202.0 | 9.0 |
| | 45 | 89.1 | 3.7 | 108.3 | 4.6 | 126.4 | 5.4 | 151.2 | 6.6 | 177.2 | 7.9 | 202.0 | 9.2 |
| | 50 | 89.1 | 3.8 | 108.3 | 4.7 | 126.4 | 5.5 | 151.2 | 6.7 | 177.2 | 8.1 | 202.0 | 9.4 |
| | 55 | 89.1 | 3.9 | 108.3 | 4.8 | 126.4 | 5.7 | 151.2 | 6.9 | 177.2 | 8.3 | 202.0 | 9.7 |
| | 60 | 89.1 | 4.0 | 108.3 | 4.9 | 126.4 | 5.8 | 151.2 | 7.1 | 177.2 | 8.5 | 202.0 | 9.9 |
| | 65 | 89.1 | 4.1 | 108.3 | 5.1 | 126.4 | 6.0 | 151.2 | 7.3 | 177.2 | 8.8 | 202.0 | 10.2 |
| | 70 | 89.1 | 4.5 | 108.3 | 5.5 | 126.4 | 6.5 | 151.2 | 7.9 | 177.2 | 9.5 | 202.0 | 11.1 |
| | 75 | 89.1 | 4.9 | 108.3 | 6.1 | 126.4 | 7.2 | 151.2 | 8.7 | 177.2 | 10.5 | 202.0 | 12.2 |
| | 80 | 89.1 | 5.4 | 108.3 | 6.7 | 126.4 | 7.9 | 151.2 | 9.6 | 177.2 | 11.5 | 202.0 | 13.4 |
| | 85 | 89.1 | 5.9 | 108.3 | 7.3 | 126.4 | 8.6 | 151.2 | 10.5 | 177.2 | 12.6 | 202.0 | 14.7 |
| | 90 | 89.1 | 6.5 | 108.3 | 8.0 | 126.4 | 9.4 | 151.2 | 11.5 | 177.2 | 13.8 | 202.0 | 16.1 |
| | 95 | 89.1 | 7.1 | 108.3 | 8.7 | 126.4 | 10.3 | 151.2 | 12.6 | 177.2 | 15.1 | 202.0 | 17.6 |
| 100 | 89.1 | 7.7 | 108.3 | 9.5 | 126.4 | 11.2 | 151.2 | 13.7 | 177.2 | 16.4 | 202.0 | 19.1 | |
| 105 | 89.1 | 8.3 | 108.3 | 10.3 | 126.4 | 12.1 | 151.2 | 14.8 | 177.2 | 17.7 | 196.2 | 20.1 | |
| 110 | 89.1 | 8.9 | 108.3 | 11.0 | 126.4 | 13.0 | 151.2 | 15.8 | 176.7 | 18.9 | 180.1 | 19.7 | |
| 115 | 89.1 | 9.4 | 108.3 | 11.6 | 126.4 | 13.7 | 151.2 | 16.7 | 156.4 | 17.7 | 159.4 | 18.5 | |
| 118 | 89.1 | 9.7 | 108.3 | 11.9 | 126.4 | 14.1 | 137.6 | 15.6 | 141.7 | 16.5 | 144.4 | 17.2 | |
| 125 | 86.4 | 9.8 | 90.2 | 10.4 | 93.3 | 10.9 | 96.9 | 11.5 | 99.8 | 12.1 | 101.7 | 12.6 | |
| 80% | -10 | 79.2 | 2.5 | 96.3 | 3.1 | 112.3 | 3.7 | 134.4 | 4.5 | 157.5 | 5.4 | 179.5 | 6.3 |
| | -5 | 79.2 | 2.7 | 96.3 | 3.3 | 112.3 | 3.9 | 134.4 | 4.8 | 157.5 | 5.7 | 179.5 | 6.7 |
| | 10 | 79.2 | 2.8 | 96.3 | 3.4 | 112.3 | 4.0 | 134.4 | 4.9 | 157.5 | 5.9 | 179.5 | 6.8 |
| | 15 | 79.2 | 2.8 | 96.3 | 3.5 | 112.3 | 4.1 | 134.4 | 5.0 | 157.5 | 6.0 | 179.5 | 7.0 |
| | 20 | 79.2 | 2.9 | 96.3 | 3.6 | 112.3 | 4.2 | 134.4 | 5.1 | 157.5 | 6.1 | 179.5 | 7.2 |
| | 25 | 79.2 | 3.0 | 96.3 | 3.6 | 112.3 | 4.3 | 134.4 | 5.2 | 157.5 | 6.3 | 179.5 | 7.3 |
| | 30 | 79.2 | 3.0 | 96.3 | 3.7 | 112.3 | 4.4 | 134.4 | 5.4 | 157.5 | 6.4 | 179.5 | 7.5 |
| | 35 | 79.2 | 3.1 | 96.3 | 3.8 | 112.3 | 4.5 | 134.4 | 5.5 | 157.5 | 6.6 | 179.5 | 7.7 |
| | 40 | 79.2 | 3.2 | 96.3 | 3.9 | 112.3 | 4.6 | 134.4 | 5.6 | 157.5 | 6.7 | 179.5 | 7.9 |
| | 45 | 79.2 | 3.3 | 96.3 | 4.0 | 112.3 | 4.7 | 134.4 | 5.8 | 157.5 | 6.9 | 179.5 | 8.1 |
| | 50 | 79.2 | 3.3 | 96.3 | 4.1 | 112.3 | 4.8 | 134.4 | 5.9 | 157.5 | 7.1 | 179.5 | 8.3 |
| | 55 | 79.2 | 3.4 | 96.3 | 4.2 | 112.3 | 5.0 | 134.4 | 6.1 | 157.5 | 7.3 | 179.5 | 8.5 |
| | 60 | 79.2 | 3.5 | 96.3 | 4.3 | 112.3 | 5.1 | 134.4 | 6.2 | 157.5 | 7.5 | 179.5 | 8.7 |
| | 65 | 79.2 | 3.6 | 96.3 | 4.4 | 112.3 | 5.3 | 134.4 | 6.4 | 157.5 | 7.7 | 179.5 | 9.0 |
| | 70 | 79.2 | 3.9 | 96.3 | 4.8 | 112.3 | 5.7 | 134.4 | 7.0 | 157.5 | 8.3 | 179.5 | 9.7 |
| | 75 | 79.2 | 4.3 | 96.3 | 5.3 | 112.3 | 6.3 | 134.4 | 7.6 | 157.5 | 9.2 | 179.5 | 10.7 |
| | 80 | 79.2 | 4.7 | 96.3 | 5.8 | 112.3 | 6.9 | 134.4 | 8.4 | 157.5 | 10.1 | 179.5 | 11.7 |
| | 85 | 79.2 | 5.2 | 96.3 | 6.4 | 112.3 | 7.6 | 134.4 | 9.2 | 157.5 | 11.0 | 179.5 | 12.9 |
| | 90 | 79.2 | 5.7 | 96.3 | 7.0 | 112.3 | 8.3 | 134.4 | 10.1 | 157.5 | 12.1 | 179.5 | 14.1 |
| | 95 | 79.2 | 6.2 | 96.3 | 7.7 | 112.3 | 9.0 | 134.4 | 11.0 | 157.5 | 13.2 | 179.5 | 15.4 |
| 100 | 79.2 | 6.8 | 96.3 | 8.3 | 112.3 | 9.8 | 134.4 | 12.0 | 157.5 | 14.3 | 179.5 | 16.8 | |
| 105 | 79.2 | 7.3 | 96.3 | 9.0 | 112.3 | 10.6 | 134.4 | 12.9 | 157.5 | 15.5 | 179.5 | 18.1 | |
| 110 | 79.2 | 7.8 | 96.3 | 9.6 | 112.3 | 11.4 | 134.4 | 13.8 | 157.5 | 16.6 | 179.5 | 19.4 | |
| 115 | 79.2 | 8.3 | 96.3 | 10.2 | 112.3 | 12.0 | 134.4 | 14.6 | 156.4 | 17.4 | 159.4 | 18.2 | |
| 118 | 79.2 | 8.5 | 96.3 | 10.5 | 112.3 | 12.3 | 134.4 | 15.1 | 141.7 | 16.2 | 144.4 | 16.9 | |
| 125 | 79.2 | 8.9 | 90.2 | 10.2 | 93.3 | 10.7 | 96.9 | 11.3 | 99.8 | 11.9 | 101.7 | 12.4 | |

NOTE - Power Input = Compressor + Outdoor Fan Motor.
 MBH = 1000 BTUs per hour.

COOLING CAPACITY - SINGLE MODULE | VRB168H4

| Combination (%) | Outdoor Temperature °F (Dry Bulb) | Indoor Temperature - °F (Dry Bulb / Wet Bulb) | | | | | | | | | | | |
|-----------------|-----------------------------------|---|-------------|------------|-------------|------------|-------------|------------|-------------|------------|-------------|------------|-------------|
| | | 67 / 57 | | 71 / 60 | | 75 / 63 | | 80 / 67 | | 85 / 71 | | 90 / 75 | |
| | | Total Cap. | Power Input | Total Cap. | Power Input | Total Cap. | Power Input | Total Cap. | Power Input | Total Cap. | Power Input | Total Cap. | Power Input |
| | | MBH | KW | MBH | KW | MBH | KW | MBH | KW | MBH | KW | MBH | KW |
| 70% | -10 | 69.3 | 2.2 | 84.3 | 2.7 | 98.3 | 3.2 | 117.6 | 3.9 | 137.8 | 4.7 | 157.1 | 5.4 |
| | -5 | 69.3 | 2.3 | 84.3 | 2.9 | 98.3 | 3.4 | 117.6 | 4.1 | 137.8 | 5.0 | 157.1 | 5.8 |
| | 10 | 69.3 | 2.4 | 84.3 | 2.9 | 98.3 | 3.5 | 117.6 | 4.2 | 137.8 | 5.1 | 157.1 | 5.9 |
| | 15 | 69.3 | 2.4 | 84.3 | 3.0 | 98.3 | 3.5 | 117.6 | 4.3 | 137.8 | 5.2 | 157.1 | 6.0 |
| | 20 | 69.3 | 2.5 | 84.3 | 3.1 | 98.3 | 3.6 | 117.6 | 4.4 | 137.8 | 5.3 | 157.1 | 6.2 |
| | 25 | 69.3 | 2.6 | 84.3 | 3.1 | 98.3 | 3.7 | 117.6 | 4.5 | 137.8 | 5.4 | 157.1 | 6.3 |
| | 30 | 69.3 | 2.6 | 84.3 | 3.2 | 98.3 | 3.8 | 117.6 | 4.6 | 137.8 | 5.5 | 157.1 | 6.5 |
| | 35 | 69.3 | 2.7 | 84.3 | 3.3 | 98.3 | 3.9 | 117.6 | 4.7 | 137.8 | 5.7 | 157.1 | 6.6 |
| | 40 | 69.3 | 2.7 | 84.3 | 3.4 | 98.3 | 4.0 | 117.6 | 4.8 | 137.8 | 5.8 | 157.1 | 6.8 |
| | 45 | 69.3 | 2.8 | 84.3 | 3.5 | 98.3 | 4.1 | 117.6 | 5.0 | 137.8 | 5.9 | 157.1 | 6.9 |
| | 50 | 69.3 | 2.9 | 84.3 | 3.5 | 98.3 | 4.2 | 117.6 | 5.1 | 137.8 | 6.1 | 157.1 | 7.1 |
| | 55 | 69.3 | 3.0 | 84.3 | 3.6 | 98.3 | 4.3 | 117.6 | 5.2 | 137.8 | 6.3 | 157.1 | 7.3 |
| | 60 | 69.3 | 3.0 | 84.3 | 3.7 | 98.3 | 4.4 | 117.6 | 5.4 | 137.8 | 6.4 | 157.1 | 7.5 |
| | 65 | 69.3 | 3.1 | 84.3 | 3.8 | 98.3 | 4.5 | 117.6 | 5.5 | 137.8 | 6.6 | 157.1 | 7.7 |
| | 70 | 69.3 | 3.4 | 84.3 | 4.2 | 98.3 | 4.9 | 117.6 | 6.0 | 137.8 | 7.2 | 157.1 | 8.4 |
| | 75 | 69.3 | 3.7 | 84.3 | 4.6 | 98.3 | 5.4 | 117.6 | 6.6 | 137.8 | 7.9 | 157.1 | 9.2 |
| | 80 | 69.3 | 4.1 | 84.3 | 5.0 | 98.3 | 5.9 | 117.6 | 7.2 | 137.8 | 8.7 | 157.1 | 10.1 |
| | 85 | 69.3 | 4.5 | 84.3 | 5.5 | 98.3 | 6.5 | 117.6 | 7.9 | 137.8 | 9.5 | 157.1 | 11.1 |
| | 90 | 69.3 | 4.9 | 84.3 | 6.0 | 98.3 | 7.1 | 117.6 | 8.7 | 137.8 | 10.4 | 157.1 | 12.2 |
| | 95 | 69.3 | 5.4 | 84.3 | 6.6 | 98.3 | 7.8 | 117.6 | 9.5 | 137.8 | 11.4 | 157.1 | 13.3 |
| 100 | 69.3 | 5.8 | 84.3 | 7.2 | 98.3 | 8.5 | 117.6 | 10.3 | 137.8 | 12.4 | 157.1 | 14.4 | |
| 105 | 69.3 | 6.3 | 84.3 | 7.7 | 98.3 | 9.1 | 117.6 | 11.2 | 137.8 | 13.4 | 157.1 | 15.6 | |
| 110 | 69.3 | 6.7 | 84.3 | 8.3 | 98.3 | 9.8 | 117.6 | 11.9 | 137.8 | 14.3 | 157.1 | 16.7 | |
| 115 | 69.3 | 7.1 | 84.3 | 8.8 | 98.3 | 10.4 | 117.6 | 12.6 | 137.8 | 15.1 | 157.1 | 17.7 | |
| 118 | 69.3 | 7.3 | 84.3 | 9.0 | 98.3 | 10.7 | 117.6 | 13.0 | 137.8 | 15.6 | 144.4 | 16.7 | |
| 125 | 69.3 | 7.7 | 84.3 | 9.4 | 93.3 | 10.6 | 96.9 | 11.2 | 99.8 | 11.8 | 101.7 | 12.3 | |
| 60% | -10 | 59.4 | 1.9 | 72.2 | 2.3 | 84.3 | 2.7 | 100.8 | 3.3 | 118.1 | 3.9 | 134.7 | 4.6 |
| | -5 | 59.4 | 2.0 | 72.2 | 2.4 | 84.3 | 2.9 | 100.8 | 3.5 | 118.1 | 4.2 | 134.7 | 4.9 |
| | 10 | 59.4 | 2.0 | 72.2 | 2.5 | 84.3 | 2.9 | 100.8 | 3.6 | 118.1 | 4.3 | 134.7 | 5.0 |
| | 15 | 59.4 | 2.1 | 72.2 | 2.5 | 84.3 | 3.0 | 100.8 | 3.6 | 118.1 | 4.4 | 134.7 | 5.1 |
| | 20 | 59.4 | 2.1 | 72.2 | 2.6 | 84.3 | 3.1 | 100.8 | 3.7 | 118.1 | 4.5 | 134.7 | 5.2 |
| | 25 | 59.4 | 2.2 | 72.2 | 2.6 | 84.3 | 3.1 | 100.8 | 3.8 | 118.1 | 4.6 | 134.7 | 5.3 |
| | 30 | 59.4 | 2.2 | 72.2 | 2.7 | 84.3 | 3.2 | 100.8 | 3.9 | 118.1 | 4.7 | 134.7 | 5.5 |
| | 35 | 59.4 | 2.3 | 72.2 | 2.8 | 84.3 | 3.3 | 100.8 | 4.0 | 118.1 | 4.8 | 134.7 | 5.6 |
| | 40 | 59.4 | 2.3 | 72.2 | 2.8 | 84.3 | 3.4 | 100.8 | 4.1 | 118.1 | 4.9 | 134.7 | 5.7 |
| | 45 | 59.4 | 2.4 | 72.2 | 2.9 | 84.3 | 3.4 | 100.8 | 4.2 | 118.1 | 5.0 | 134.7 | 5.9 |
| | 50 | 59.4 | 2.4 | 72.2 | 3.0 | 84.3 | 3.5 | 100.8 | 4.3 | 118.1 | 5.2 | 134.7 | 6.0 |
| | 55 | 59.4 | 2.5 | 72.2 | 3.1 | 84.3 | 3.6 | 100.8 | 4.4 | 118.1 | 5.3 | 134.7 | 6.2 |
| | 60 | 59.4 | 2.6 | 72.2 | 3.2 | 84.3 | 3.7 | 100.8 | 4.5 | 118.1 | 5.4 | 134.7 | 6.3 |
| | 65 | 59.4 | 2.6 | 72.2 | 3.2 | 84.3 | 3.8 | 100.8 | 4.7 | 118.1 | 5.6 | 134.7 | 6.5 |
| | 70 | 59.4 | 2.9 | 72.2 | 3.5 | 84.3 | 4.2 | 100.8 | 5.1 | 118.1 | 6.1 | 134.7 | 7.1 |
| | 75 | 59.4 | 3.1 | 72.2 | 3.9 | 84.3 | 4.6 | 100.8 | 5.6 | 118.1 | 6.7 | 134.7 | 7.8 |
| | 80 | 59.4 | 3.5 | 72.2 | 4.2 | 84.3 | 5.0 | 100.8 | 6.1 | 118.1 | 7.3 | 134.7 | 8.6 |
| | 85 | 59.4 | 3.8 | 72.2 | 4.7 | 84.3 | 5.5 | 100.8 | 6.7 | 118.1 | 8.0 | 134.7 | 9.4 |
| | 90 | 59.4 | 4.2 | 72.2 | 5.1 | 84.3 | 6.0 | 100.8 | 7.4 | 118.1 | 8.8 | 134.7 | 10.3 |
| | 95 | 59.4 | 4.5 | 72.2 | 5.6 | 84.3 | 6.6 | 100.8 | 8.0 | 118.1 | 9.6 | 134.7 | 11.2 |
| 100 | 59.4 | 4.9 | 72.2 | 6.1 | 84.3 | 7.2 | 100.8 | 8.7 | 118.1 | 10.5 | 134.7 | 12.2 | |
| 105 | 59.4 | 5.3 | 72.2 | 6.5 | 84.3 | 7.7 | 100.8 | 9.4 | 118.1 | 11.3 | 134.7 | 13.2 | |
| 110 | 59.4 | 5.7 | 72.2 | 7.0 | 84.3 | 8.3 | 100.8 | 10.1 | 118.1 | 12.1 | 134.7 | 14.1 | |
| 115 | 59.4 | 6.0 | 72.2 | 7.4 | 84.3 | 8.8 | 100.8 | 10.7 | 118.1 | 12.8 | 134.7 | 14.9 | |
| 118 | 59.4 | 6.2 | 72.2 | 7.6 | 84.3 | 9.0 | 100.8 | 11.0 | 118.1 | 13.1 | 134.7 | 15.3 | |
| 125 | 59.4 | 6.5 | 72.2 | 8.0 | 84.3 | 9.4 | 96.9 | 11.0 | 99.8 | 11.6 | 101.7 | 12.1 | |

NOTE - Power Input = Compressor + Outdoor Fan Motor.
 MBH = 1000 BTUs per hour.

COOLING CAPACITY - SINGLE MODULE | VRB168H4

| Combination (%) | Outdoor Temperature °F (Dry Bulb) | Indoor Temperature - °F (Dry Bulb / Wet Bulb) | | | | | | | | | | | |
|-----------------|-----------------------------------|---|-------------|------------|-------------|------------|-------------|------------|-------------|------------|-------------|------------|-------------|
| | | 67 / 57 | | 71 / 60 | | 75 / 63 | | 80 / 67 | | 85 / 71 | | 90 / 75 | |
| | | Total Cap. | Power Input | Total Cap. | Power Input | Total Cap. | Power Input | Total Cap. | Power Input | Total Cap. | Power Input | Total Cap. | Power Input |
| | | MBH | kW | MBH | kW | MBH | kW | MBH | kW | MBH | kW | MBH | kW |
| 50% | -10 | 47.7 | 1.5 | 60.2 | 1.9 | 70.2 | 2.2 | 84.0 | 2.7 | 98.4 | 3.2 | 112.2 | 3.8 |
| | -5 | 49.5 | 1.6 | 60.2 | 2.0 | 70.2 | 2.4 | 84.0 | 2.9 | 98.4 | 3.4 | 112.2 | 4.0 |
| | 10 | 49.5 | 1.7 | 60.2 | 2.0 | 70.2 | 2.4 | 84.0 | 2.9 | 98.4 | 3.5 | 112.2 | 4.1 |
| | 15 | 49.5 | 1.7 | 60.2 | 2.1 | 70.2 | 2.5 | 84.0 | 3.0 | 98.4 | 3.6 | 112.2 | 4.2 |
| | 20 | 49.5 | 1.7 | 60.2 | 2.1 | 70.2 | 2.5 | 84.0 | 3.1 | 98.4 | 3.7 | 112.2 | 4.3 |
| | 25 | 49.5 | 1.8 | 60.2 | 2.2 | 70.2 | 2.6 | 84.0 | 3.1 | 98.4 | 3.8 | 112.2 | 4.4 |
| | 30 | 49.5 | 1.8 | 60.2 | 2.2 | 70.2 | 2.6 | 84.0 | 3.2 | 98.4 | 3.8 | 112.2 | 4.5 |
| | 35 | 49.5 | 1.9 | 60.2 | 2.3 | 70.2 | 2.7 | 84.0 | 3.3 | 98.4 | 3.9 | 112.2 | 4.6 |
| | 40 | 49.5 | 1.9 | 60.2 | 2.3 | 70.2 | 2.8 | 84.0 | 3.4 | 98.4 | 4.0 | 112.2 | 4.7 |
| | 45 | 49.5 | 1.9 | 60.2 | 2.4 | 70.2 | 2.8 | 84.0 | 3.4 | 98.4 | 4.1 | 112.2 | 4.8 |
| | 50 | 49.5 | 2.0 | 60.2 | 2.5 | 70.2 | 2.9 | 84.0 | 3.5 | 98.4 | 4.2 | 112.2 | 4.9 |
| | 55 | 49.5 | 2.1 | 60.2 | 2.5 | 70.2 | 3.0 | 84.0 | 3.6 | 98.4 | 4.3 | 112.2 | 5.1 |
| | 60 | 49.5 | 2.1 | 60.2 | 2.6 | 70.2 | 3.1 | 84.0 | 3.7 | 98.4 | 4.5 | 112.2 | 5.2 |
| | 65 | 49.5 | 2.2 | 60.2 | 2.7 | 70.2 | 3.1 | 84.0 | 3.8 | 98.4 | 4.6 | 112.2 | 5.4 |
| | 70 | 49.5 | 2.4 | 60.2 | 2.9 | 70.2 | 3.4 | 84.0 | 4.2 | 98.4 | 5.0 | 112.2 | 5.8 |
| | 75 | 49.5 | 2.6 | 60.2 | 3.2 | 70.2 | 3.8 | 84.0 | 4.6 | 98.4 | 5.5 | 112.2 | 6.4 |
| | 80 | 49.5 | 2.8 | 60.2 | 3.5 | 70.2 | 4.1 | 84.0 | 5.0 | 98.4 | 6.0 | 112.2 | 7.0 |
| | 85 | 49.5 | 3.1 | 60.2 | 3.8 | 70.2 | 4.5 | 84.0 | 5.5 | 98.4 | 6.6 | 112.2 | 7.7 |
| 90 | 49.5 | 3.4 | 60.2 | 4.2 | 70.2 | 5.0 | 84.0 | 6.0 | 98.4 | 7.2 | 112.2 | 8.4 | |
| 95 | 49.5 | 3.7 | 60.2 | 4.6 | 70.2 | 5.4 | 84.0 | 6.6 | 98.4 | 7.9 | 112.2 | 9.2 | |
| 100 | 49.5 | 4.1 | 60.2 | 5.0 | 70.2 | 5.9 | 84.0 | 7.2 | 98.4 | 8.6 | 112.2 | 10.0 | |
| 105 | 49.5 | 4.4 | 60.2 | 5.4 | 70.2 | 6.4 | 84.0 | 7.7 | 98.4 | 9.3 | 112.2 | 10.8 | |
| 110 | 49.5 | 4.7 | 60.2 | 5.8 | 70.2 | 6.8 | 84.0 | 8.3 | 98.4 | 9.9 | 112.2 | 11.6 | |
| 115 | 49.5 | 5.0 | 60.2 | 6.1 | 70.2 | 7.2 | 84.0 | 8.8 | 98.4 | 10.5 | 112.2 | 12.3 | |
| 118 | 49.5 | 5.1 | 60.2 | 6.3 | 70.2 | 7.4 | 84.0 | 9.0 | 98.4 | 10.8 | 112.2 | 12.6 | |
| 125 | 49.5 | 5.3 | 60.2 | 6.5 | 70.2 | 7.7 | 84.0 | 9.4 | 98.4 | 11.3 | 101.7 | 11.9 | |

NOTE - Power Input = Compressor + Outdoor Fan Motor.
 MBH = 1000 BTUs per hour.

HEATING CAPACITY - SINGLE MODULE | VRB168H4

| Combination (%) | Outdoor Temperature (°F) | | Indoor Temperature - °F Dry Bulb | | | | | | | | | | | |
|-----------------|--------------------------|-----|----------------------------------|-------------|------------|-------------|------------|-------------|------------|-------------|------------|-------------|------------|-------------|
| | | | 61 | | 64 | | 67 | | 70 | | 73 | | 75 | |
| | | | Total Cap. | Power Input | Total Cap. | Power Input | Total Cap. | Power Input | Total Cap. | Power Input | Total Cap. | Power Input | Total Cap. | Power Input |
| Dry Bulb | Wet Bulb | MBH | kW | MBH | kW | MBH | kW | MBH | kW | MBH | kW | MBH | kW | |
| 130% | -13 | -14 | 102.8 | 11.7 | 102.5 | 12.0 | 102.3 | 12.4 | 102.0 | 12.7 | 101.7 | 13.1 | 101.6 | 13.4 |
| | -8 | -9 | 107.0 | 12.2 | 106.7 | 12.5 | 106.5 | 12.9 | 106.2 | 13.2 | 105.9 | 13.6 | 105.7 | 13.9 |
| | -3 | -4 | 113.6 | 12.9 | 113.3 | 13.2 | 113.0 | 13.6 | 112.7 | 14.0 | 112.4 | 14.4 | 112.2 | 14.7 |
| | 2 | 1 | 121.8 | 13.6 | 121.5 | 14.0 | 121.2 | 14.4 | 120.9 | 14.8 | 120.6 | 15.2 | 120.4 | 15.5 |
| | 7 | 6 | 131.2 | 14.4 | 130.9 | 14.8 | 130.5 | 15.2 | 130.2 | 15.6 | 129.9 | 16.0 | 129.7 | 16.3 |
| | 12 | 10 | 141.2 | 15.2 | 140.8 | 15.5 | 140.5 | 15.9 | 140.1 | 16.4 | 139.8 | 16.8 | 139.5 | 17.1 |
| | 17 | 15 | 151.4 | 15.8 | 151.0 | 16.2 | 150.6 | 16.6 | 150.2 | 17.0 | 149.8 | 17.5 | 149.6 | 17.8 |
| | 22 | 20 | 161.3 | 16.3 | 160.9 | 16.7 | 160.5 | 17.0 | 160.1 | 17.5 | 159.7 | 17.9 | 159.4 | 18.2 |
| | 27 | 24 | 170.8 | 16.6 | 170.3 | 17.0 | 169.9 | 17.3 | 169.5 | 17.7 | 169.1 | 18.2 | 168.8 | 18.5 |
| | 32 | 29 | 179.4 | 16.7 | 179.0 | 17.1 | 178.6 | 17.4 | 178.1 | 17.8 | 177.7 | 18.1 | 177.3 | 17.8 |
| | 37 | 34 | 187.1 | 16.7 | 186.6 | 17.0 | 186.2 | 17.3 | 185.8 | 17.4 | 185.4 | 17.0 | 185.1 | 16.7 |
| | 42 | 38 | 193.7 | 16.5 | 193.3 | 16.8 | 193.0 | 16.6 | 192.6 | 16.2 | 192.2 | 15.9 | 191.8 | 15.8 |
| | 47 | 43 | 205.6 | 16.4 | 205.2 | 16.2 | 204.8 | 16.0 | 204.4 | 15.7 | 204.1 | 15.5 | 203.7 | 15.3 |
| | 52 | 47 | 226.2 | 16.5 | 225.8 | 16.3 | 225.4 | 16.1 | 225.1 | 15.9 | 224.7 | 15.7 | 219.0 | 15.2 |
| | 57 | 52 | 246.2 | 16.5 | 245.8 | 16.3 | 245.4 | 16.2 | 244.4 | 16.0 | 229.0 | 14.9 | 219.0 | 14.1 |
| | 62 | 56 | 265.4 | 16.4 | 265.0 | 16.3 | 259.8 | 15.9 | 244.4 | 14.9 | 229.0 | 13.9 | 219.0 | 13.2 |
| | 67 | 61 | 283.8 | 16.3 | 274.4 | 15.7 | 259.8 | 14.8 | 244.4 | 13.9 | 229.0 | 13.0 | 219.0 | 12.4 |
| | 72 | 66 | 289.8 | 15.6 | 274.4 | 14.7 | 259.8 | 13.9 | 244.4 | 13.0 | 229.0 | 12.2 | 219.0 | 11.7 |
| | 75 | 69 | 289.8 | 15.0 | 274.4 | 14.2 | 259.8 | 13.4 | 244.4 | 12.6 | 229.0 | 11.8 | 219.0 | 11.3 |
| | 80 | 74 | 289.8 | 14.1 | 274.4 | 13.3 | 259.8 | 12.6 | 244.4 | 11.9 | 229.0 | 11.1 | 219.0 | 10.7 |
| 120% | -13 | -14 | 102.4 | 11.5 | 102.1 | 11.8 | 101.9 | 12.1 | 101.6 | 12.5 | 101.3 | 12.8 | 101.2 | 13.1 |
| | -8 | -9 | 106.6 | 12.0 | 106.3 | 12.3 | 106.1 | 12.6 | 105.8 | 13.0 | 105.5 | 13.4 | 105.3 | 13.6 |
| | -3 | -4 | 113.1 | 12.6 | 112.8 | 13.0 | 112.6 | 13.3 | 112.3 | 13.7 | 112.0 | 14.1 | 111.8 | 14.4 |
| | 2 | 1 | 121.3 | 13.4 | 121.0 | 13.7 | 120.7 | 14.1 | 120.4 | 14.5 | 120.1 | 14.9 | 119.9 | 15.2 |
| | 7 | 6 | 130.7 | 14.1 | 130.3 | 14.5 | 130.0 | 14.9 | 129.7 | 15.3 | 129.4 | 15.7 | 129.1 | 16.0 |
| | 12 | 10 | 140.6 | 14.9 | 140.3 | 15.2 | 139.9 | 15.6 | 139.6 | 16.0 | 139.2 | 16.5 | 139.0 | 16.8 |
| | 17 | 15 | 150.8 | 15.5 | 150.4 | 15.9 | 150.0 | 16.2 | 149.6 | 16.7 | 149.3 | 17.1 | 149.0 | 17.4 |
| | 22 | 20 | 160.7 | 16.0 | 160.3 | 16.3 | 159.9 | 16.7 | 159.5 | 17.1 | 159.1 | 17.6 | 158.8 | 17.9 |
| | 27 | 24 | 170.1 | 16.3 | 169.7 | 16.6 | 169.3 | 17.0 | 168.8 | 17.4 | 168.4 | 17.8 | 168.1 | 18.1 |
| | 32 | 29 | 178.7 | 16.4 | 178.3 | 16.7 | 177.8 | 17.1 | 177.4 | 17.5 | 177.0 | 17.8 | 176.6 | 17.4 |
| | 37 | 34 | 186.4 | 16.3 | 185.9 | 16.7 | 185.5 | 17.0 | 185.1 | 17.0 | 184.7 | 16.6 | 184.3 | 16.4 |
| | 42 | 38 | 192.9 | 16.1 | 192.6 | 16.5 | 192.2 | 16.2 | 191.8 | 15.9 | 191.4 | 15.6 | 191.1 | 15.4 |
| | 47 | 43 | 205.6 | 16.2 | 205.2 | 15.9 | 204.8 | 15.7 | 204.4 | 15.5 | 204.1 | 15.3 | 202.1 | 15.0 |
| | 52 | 47 | 226.2 | 16.2 | 225.8 | 16.0 | 225.4 | 15.9 | 225.1 | 15.7 | 211.3 | 14.6 | 202.1 | 13.8 |
| | 57 | 52 | 246.2 | 16.2 | 245.8 | 16.1 | 239.9 | 15.6 | 225.6 | 14.5 | 211.3 | 13.5 | 202.1 | 12.9 |
| | 62 | 56 | 265.4 | 16.2 | 253.3 | 15.3 | 239.9 | 14.4 | 225.6 | 13.5 | 211.3 | 12.6 | 202.1 | 12.0 |
| | 67 | 61 | 267.5 | 15.1 | 253.3 | 14.3 | 239.9 | 13.5 | 225.6 | 12.6 | 211.3 | 11.8 | 202.1 | 11.3 |
| | 72 | 66 | 267.5 | 14.1 | 253.3 | 13.4 | 239.9 | 12.6 | 225.6 | 11.9 | 211.3 | 11.1 | 202.1 | 10.6 |
| | 75 | 69 | 267.5 | 13.6 | 253.3 | 12.9 | 239.9 | 12.2 | 225.6 | 11.4 | 211.3 | 10.7 | 202.1 | 10.2 |
| | 80 | 74 | 267.5 | 12.8 | 253.3 | 12.1 | 239.9 | 11.5 | 225.6 | 10.8 | 211.3 | 10.1 | 202.1 | 9.7 |
| 110% | -13 | -14 | 102.0 | 11.3 | 101.7 | 11.6 | 101.4 | 11.9 | 101.2 | 12.2 | 100.9 | 12.6 | 100.8 | 12.8 |
| | -8 | -9 | 106.2 | 11.7 | 105.9 | 12.1 | 105.6 | 12.4 | 105.4 | 12.7 | 105.1 | 13.1 | 104.9 | 13.4 |
| | -3 | -4 | 112.7 | 12.4 | 112.4 | 12.7 | 112.1 | 13.0 | 111.8 | 13.4 | 111.5 | 13.8 | 111.3 | 14.1 |
| | 2 | 1 | 120.9 | 13.1 | 120.5 | 13.5 | 120.3 | 13.8 | 119.9 | 14.2 | 119.6 | 14.6 | 119.4 | 14.9 |
| | 7 | 6 | 130.2 | 13.9 | 129.8 | 14.2 | 129.5 | 14.6 | 129.2 | 15.0 | 128.9 | 15.4 | 128.6 | 15.7 |
| | 12 | 10 | 140.1 | 14.6 | 139.7 | 15.0 | 139.4 | 15.3 | 139.0 | 15.7 | 138.7 | 16.2 | 138.4 | 16.5 |
| | 17 | 15 | 150.2 | 15.2 | 149.8 | 15.6 | 149.4 | 15.9 | 149.0 | 16.3 | 148.7 | 16.8 | 148.4 | 17.1 |
| | 22 | 20 | 160.1 | 15.7 | 159.7 | 16.0 | 159.3 | 16.4 | 158.9 | 16.8 | 158.5 | 17.2 | 158.2 | 17.5 |
| | 27 | 24 | 169.4 | 16.0 | 169.0 | 16.3 | 168.6 | 16.7 | 168.2 | 17.1 | 167.7 | 17.5 | 167.7 | 17.8 |
| | 32 | 29 | 178.0 | 16.1 | 177.6 | 16.4 | 177.1 | 16.8 | 176.7 | 17.2 | 176.3 | 17.4 | 175.9 | 17.1 |
| | 37 | 34 | 185.6 | 16.0 | 185.2 | 16.4 | 184.7 | 16.7 | 184.4 | 16.7 | 184.0 | 16.3 | 183.6 | 16.1 |
| | 42 | 38 | 192.2 | 15.8 | 191.8 | 16.1 | 191.4 | 15.9 | 191.1 | 15.6 | 190.7 | 15.3 | 185.3 | 14.7 |
| | 47 | 43 | 205.6 | 15.9 | 205.2 | 15.7 | 204.8 | 15.5 | 204.4 | 15.2 | 193.7 | 14.3 | 185.3 | 13.5 |
| | 52 | 47 | 226.2 | 16.0 | 225.8 | 15.8 | 219.9 | 15.2 | 206.8 | 14.2 | 193.7 | 13.1 | 185.3 | 12.5 |
| | 57 | 52 | 245.2 | 15.9 | 232.2 | 14.9 | 219.9 | 14.0 | 206.8 | 13.1 | 193.7 | 12.2 | 185.3 | 11.6 |
| | 62 | 56 | 245.2 | 14.7 | 232.2 | 13.8 | 219.9 | 13.0 | 206.8 | 12.2 | 193.7 | 11.4 | 185.3 | 10.8 |
| | 67 | 61 | 245.2 | 13.7 | 232.2 | 12.9 | 219.9 | 12.2 | 206.8 | 11.4 | 193.7 | 10.6 | 185.3 | 10.2 |
| | 72 | 66 | 245.2 | 12.8 | 232.2 | 12.1 | 219.9 | 11.4 | 206.8 | 10.7 | 193.7 | 10.0 | 185.3 | 9.6 |
| | 75 | 69 | 245.2 | 12.3 | 232.2 | 11.6 | 219.9 | 11.0 | 206.8 | 10.3 | 193.7 | 9.7 | 185.3 | 9.2 |
| | 80 | 74 | 245.2 | 11.5 | 232.2 | 10.9 | 219.9 | 10.4 | 206.8 | 9.8 | 193.7 | 9.1 | 185.3 | 8.7 |

NOTE - Power Input = Compressor + Outdoor Fan Motor.
MBH = 1000 BTUs per hour.

HEATING CAPACITY - SINGLE MODULE | VRB168H4

| Combination (%) | Outdoor Temperature (°F) | | Indoor Temperature - °F Dry Bulb | | | | | | | | | | | |
|-----------------|--------------------------|----------|----------------------------------|-------------|------------|-------------|------------|-------------|------------|-------------|------------|-------------|------------|-------------|
| | | | 61 | | 64 | | 67 | | 70 | | 73 | | 75 | |
| | Dry Bulb | Wet Bulb | Total Cap. | Power Input | Total Cap. | Power Input | Total Cap. | Power Input | Total Cap. | Power Input | Total Cap. | Power Input | Total Cap. | Power Input |
| | | | MBH | kW | MBH | kW | MBH | kW | MBH | kW | MBH | kW | MBH | kW |
| 100% | -13 | -14 | 101.5 | 11.1 | 101.3 | 11.4 | 101.0 | 11.7 | 100.8 | 12.0 | 100.5 | 12.4 | 100.4 | 12.6 |
| | -8 | -9 | 105.7 | 11.5 | 105.5 | 11.8 | 105.2 | 12.1 | 104.9 | 12.5 | 104.7 | 12.9 | 104.5 | 13.1 |
| | -3 | -4 | 112.2 | 12.1 | 111.9 | 12.5 | 111.7 | 12.8 | 111.4 | 13.2 | 111.1 | 13.6 | 110.9 | 13.8 |
| | 2 | 1 | 120.4 | 12.9 | 120.1 | 13.2 | 119.8 | 13.6 | 119.5 | 13.9 | 119.2 | 14.3 | 119.0 | 14.6 |
| | 7 | 6 | 129.6 | 13.6 | 129.3 | 14.0 | 129.0 | 14.3 | 128.7 | 14.7 | 128.3 | 15.1 | 128.1 | 15.4 |
| | 12 | 10 | 139.5 | 14.3 | 139.2 | 14.7 | 138.8 | 15.0 | 138.5 | 15.4 | 138.1 | 15.9 | 137.9 | 16.2 |
| | 17 | 15 | 149.6 | 14.9 | 149.2 | 15.3 | 148.8 | 15.6 | 148.5 | 16.0 | 148.1 | 16.5 | 147.8 | 16.8 |
| | 22 | 20 | 159.4 | 15.4 | 159.0 | 15.7 | 158.6 | 16.1 | 158.2 | 16.5 | 157.8 | 16.9 | 157.6 | 17.2 |
| | 27 | 24 | 168.8 | 15.7 | 168.3 | 16.0 | 167.9 | 16.4 | 167.5 | 16.7 | 167.1 | 17.2 | 166.8 | 17.4 |
| | 32 | 29 | 177.3 | 15.8 | 176.9 | 16.1 | 176.4 | 16.5 | 176.0 | 16.8 | 175.5 | 17.1 | 168.4 | 16.1 |
| | 37 | 34 | 184.9 | 15.7 | 184.4 | 16.1 | 184.0 | 16.4 | 183.5 | 16.4 | 176.1 | 15.4 | 168.4 | 14.5 |
| | 42 | 38 | 191.4 | 15.5 | 190.9 | 15.8 | 190.5 | 15.6 | 188.0 | 15.1 | 176.1 | 14.0 | 168.4 | 13.2 |
| | 47 | 43 | 196.8 | 15.0 | 196.3 | 14.8 | 195.8 | 14.6 | 188.0 | 13.8 | 176.1 | 12.8 | 168.4 | 12.1 |
| | 52 | 47 | 201.0 | 14.0 | 200.5 | 13.8 | 199.9 | 13.6 | 188.0 | 12.7 | 176.1 | 11.8 | 168.4 | 11.2 |
| | 57 | 52 | 204.1 | 13.0 | 203.5 | 12.9 | 199.9 | 12.6 | 188.0 | 11.7 | 176.1 | 10.9 | 168.4 | 10.4 |
| | 62 | 56 | 206.2 | 12.2 | 205.7 | 12.1 | 199.9 | 11.7 | 188.0 | 10.9 | 176.1 | 10.2 | 168.4 | 9.7 |
| | 67 | 61 | 207.5 | 11.4 | 207.0 | 11.3 | 199.9 | 10.9 | 188.0 | 10.2 | 176.1 | 9.5 | 168.4 | 9.1 |
| | 72 | 66 | 208.3 | 10.7 | 207.8 | 10.6 | 199.9 | 10.2 | 188.0 | 9.6 | 176.1 | 9.0 | 168.4 | 8.6 |
| | 75 | 69 | 208.6 | 10.3 | 208.1 | 10.3 | 199.9 | 9.8 | 188.0 | 9.2 | 176.1 | 8.7 | 168.4 | 8.3 |
| | 80 | 74 | 209.2 | 9.7 | 208.6 | 9.7 | 199.9 | 9.3 | 188.0 | 8.7 | 176.1 | 8.2 | 168.4 | 7.8 |
| 90% | -13 | -14 | 101.1 | 10.9 | 100.9 | 11.1 | 100.6 | 11.4 | 100.4 | 11.8 | 100.1 | 12.1 | 100.0 | 12.4 |
| | -8 | -9 | 105.3 | 11.3 | 105.0 | 11.6 | 104.8 | 11.9 | 104.5 | 12.3 | 104.3 | 12.6 | 104.1 | 12.9 |
| | -3 | -4 | 111.8 | 11.9 | 111.5 | 12.2 | 111.2 | 12.6 | 110.9 | 12.9 | 110.6 | 13.3 | 110.5 | 13.6 |
| | 2 | 1 | 119.9 | 12.6 | 119.6 | 13.0 | 119.3 | 13.3 | 119.0 | 13.7 | 118.7 | 14.1 | 118.5 | 14.4 |
| | 7 | 6 | 129.1 | 13.4 | 128.8 | 13.7 | 128.5 | 14.1 | 128.2 | 14.4 | 127.8 | 14.9 | 127.6 | 15.1 |
| | 12 | 10 | 139.0 | 14.0 | 138.6 | 14.4 | 138.3 | 14.8 | 137.9 | 15.1 | 137.6 | 15.6 | 137.3 | 15.9 |
| | 17 | 15 | 149.0 | 14.6 | 148.6 | 15.0 | 148.2 | 15.3 | 147.9 | 15.7 | 147.5 | 16.2 | 147.2 | 16.4 |
| | 22 | 20 | 158.8 | 15.1 | 158.4 | 15.4 | 158.0 | 15.8 | 157.6 | 16.2 | 157.2 | 16.5 | 149.9 | 16.1 |
| | 27 | 24 | 168.1 | 15.4 | 167.7 | 15.7 | 167.2 | 16.1 | 166.8 | 16.4 | 155.7 | 15.8 | 150.1 | 15.5 |
| | 32 | 29 | 176.6 | 15.5 | 176.2 | 15.8 | 175.7 | 16.1 | 164.6 | 15.5 | 158.0 | 15.1 | 151.6 | 14.3 |
| | 37 | 34 | 184.2 | 15.4 | 183.7 | 15.8 | 172.8 | 15.1 | 165.2 | 14.5 | 158.5 | 13.6 | 151.6 | 12.9 |
| | 42 | 38 | 190.7 | 15.2 | 179.2 | 14.6 | 171.4 | 13.8 | 169.2 | 13.4 | 158.5 | 12.4 | 151.6 | 11.7 |
| | 47 | 43 | 185.4 | 14.0 | 176.6 | 13.1 | 176.2 | 12.9 | 169.2 | 12.2 | 158.5 | 11.3 | 151.6 | 10.7 |
| | 52 | 47 | 180.9 | 12.4 | 180.4 | 12.2 | 179.9 | 12.1 | 169.2 | 11.3 | 158.5 | 10.4 | 151.6 | 9.9 |
| | 57 | 52 | 183.7 | 11.6 | 183.2 | 11.4 | 179.9 | 11.2 | 169.2 | 10.4 | 158.5 | 9.7 | 151.6 | 9.2 |
| | 62 | 56 | 185.6 | 10.8 | 185.1 | 10.7 | 179.9 | 10.4 | 169.2 | 9.7 | 158.5 | 9.0 | 151.6 | 8.6 |
| | 67 | 61 | 186.8 | 10.1 | 186.3 | 10.0 | 179.9 | 9.7 | 169.2 | 9.1 | 158.5 | 8.5 | 151.6 | 8.1 |
| | 72 | 66 | 187.5 | 9.5 | 187.0 | 9.4 | 179.9 | 9.1 | 169.2 | 8.5 | 158.5 | 7.9 | 151.6 | 7.6 |
| | 75 | 69 | 187.8 | 9.1 | 187.3 | 9.1 | 179.9 | 8.7 | 169.2 | 8.2 | 158.5 | 7.7 | 151.6 | 7.3 |
| | 80 | 74 | 188.3 | 8.6 | 187.8 | 8.6 | 179.9 | 8.2 | 169.2 | 7.7 | 158.5 | 7.3 | 151.6 | 6.9 |
| 80% | -13 | -14 | 100.7 | 10.7 | 100.5 | 10.9 | 100.2 | 11.2 | 100.0 | 11.6 | 99.7 | 11.9 | 99.6 | 12.1 |
| | -8 | -9 | 104.9 | 11.1 | 104.6 | 11.4 | 104.4 | 11.7 | 104.1 | 12.0 | 103.8 | 12.4 | 103.7 | 12.6 |
| | -3 | -4 | 111.3 | 11.7 | 111.0 | 12.0 | 110.8 | 12.3 | 110.5 | 12.7 | 110.2 | 13.1 | 110.0 | 13.3 |
| | 2 | 1 | 119.4 | 12.4 | 119.1 | 12.7 | 118.8 | 13.1 | 118.5 | 13.4 | 118.2 | 13.8 | 118.0 | 14.1 |
| | 7 | 6 | 128.6 | 13.1 | 128.3 | 13.5 | 128.0 | 13.8 | 127.6 | 14.2 | 127.3 | 14.6 | 127.1 | 14.9 |
| | 12 | 10 | 138.4 | 13.8 | 138.1 | 14.1 | 137.7 | 14.5 | 137.4 | 14.9 | 137.0 | 15.3 | 134.2 | 15.3 |
| | 17 | 15 | 148.4 | 14.4 | 148.0 | 14.7 | 147.6 | 15.1 | 147.3 | 15.4 | 140.6 | 15.2 | 134.7 | 14.8 |
| | 22 | 20 | 158.1 | 14.8 | 157.7 | 15.1 | 157.4 | 15.5 | 149.6 | 15.1 | 140.3 | 14.6 | 134.7 | 14.3 |
| | 27 | 24 | 167.4 | 15.1 | 167.0 | 15.4 | 158.0 | 14.9 | 148.2 | 14.4 | 138.4 | 13.8 | 134.7 | 13.7 |
| | 32 | 29 | 175.6 | 15.2 | 165.1 | 14.6 | 155.4 | 14.1 | 145.0 | 13.5 | 140.4 | 13.3 | 134.7 | 12.5 |
| | 37 | 34 | 171.9 | 14.2 | 161.0 | 13.6 | 150.9 | 13.0 | 146.8 | 12.7 | 140.9 | 11.9 | 134.7 | 11.3 |
| | 42 | 38 | 166.3 | 13.1 | 155.1 | 12.5 | 152.4 | 12.1 | 150.4 | 11.8 | 140.9 | 10.8 | 134.7 | 10.3 |
| | 47 | 43 | 159.1 | 11.8 | 157.0 | 11.5 | 156.6 | 11.3 | 150.4 | 10.7 | 140.9 | 9.9 | 134.7 | 9.4 |
| | 52 | 47 | 160.8 | 10.9 | 160.4 | 10.7 | 159.9 | 10.6 | 150.4 | 9.9 | 140.9 | 9.1 | 134.7 | 8.7 |
| | 57 | 52 | 163.2 | 10.1 | 162.8 | 10.0 | 159.9 | 9.8 | 150.4 | 9.1 | 140.9 | 8.5 | 134.7 | 8.1 |
| | 62 | 56 | 164.9 | 9.5 | 164.5 | 9.4 | 159.9 | 9.1 | 150.4 | 8.5 | 140.9 | 7.9 | 134.7 | 7.5 |
| | 67 | 61 | 166.0 | 8.8 | 165.6 | 8.8 | 159.9 | 8.5 | 150.4 | 7.9 | 140.9 | 7.4 | 134.7 | 7.1 |
| | 72 | 66 | 166.6 | 8.3 | 166.2 | 8.3 | 159.9 | 7.9 | 150.4 | 7.4 | 140.9 | 7.0 | 134.7 | 6.7 |
| | 75 | 69 | 166.9 | 8.0 | 166.5 | 8.0 | 159.9 | 7.6 | 150.4 | 7.2 | 140.9 | 6.7 | 134.7 | 6.4 |
| | 80 | 74 | 167.3 | 7.5 | 166.9 | 7.5 | 159.9 | 7.2 | 150.4 | 6.8 | 140.9 | 6.4 | 134.7 | 6.1 |

NOTE - Power Input = Compressor + Outdoor Fan Motor.
MBH = 1000 BTUs per hour.

HEATING CAPACITY - SINGLE MODULE | VRB168H4

| Combination (%) | Outdoor Temperature (°F) | | Indoor Temperature - °F Dry Bulb | | | | | | | | | | | |
|-----------------|--------------------------|----------|----------------------------------|----------------|----------------|----------------|----------------|----------------|----------------|----------------|----------------|----------------|----------------|----------------|
| | | | 61 | | 64 | | 67 | | 70 | | 73 | | 75 | |
| | Dry Bulb | Wet Bulb | Total Cap. MBH | Power Input kW | Total Cap. MBH | Power Input kW | Total Cap. MBH | Power Input kW | Total Cap. MBH | Power Input kW | Total Cap. MBH | Power Input kW | Total Cap. MBH | Power Input kW |
| 70% | -13 | -14 | 100.3 | 10.5 | 100.1 | 10.7 | 99.8 | 11.0 | 99.6 | 11.3 | 99.3 | 11.7 | 99.2 | 11.9 |
| | -8 | -9 | 104.5 | 10.9 | 104.2 | 11.2 | 103.9 | 11.5 | 103.7 | 11.8 | 103.4 | 12.2 | 103.2 | 12.4 |
| | -3 | -4 | 110.9 | 11.5 | 110.6 | 11.8 | 110.3 | 12.1 | 110.0 | 12.5 | 109.8 | 12.8 | 109.6 | 13.1 |
| | 2 | 1 | 118.9 | 12.2 | 118.6 | 12.5 | 118.3 | 12.8 | 118.0 | 13.2 | 117.7 | 13.6 | 117.5 | 13.8 |
| | 7 | 6 | 128.1 | 12.9 | 127.8 | 13.2 | 127.5 | 13.5 | 127.1 | 13.9 | 123.3 | 13.9 | 117.9 | 13.6 |
| | 12 | 10 | 137.8 | 13.5 | 137.5 | 13.9 | 137.2 | 14.2 | 131.6 | 14.0 | 123.3 | 13.6 | 117.9 | 13.2 |
| | 17 | 15 | 147.8 | 14.1 | 147.4 | 14.4 | 139.9 | 14.1 | 131.6 | 13.6 | 123.3 | 13.1 | 117.9 | 12.8 |
| | 22 | 20 | 155.8 | 14.4 | 147.7 | 14.0 | 139.9 | 13.6 | 131.6 | 13.1 | 123.3 | 12.6 | 117.9 | 12.3 |
| | 27 | 24 | 154.7 | 13.7 | 146.1 | 13.3 | 139.9 | 13.0 | 131.6 | 12.6 | 123.3 | 12.1 | 117.9 | 11.8 |
| | 32 | 29 | 151.8 | 12.9 | 142.8 | 12.5 | 139.9 | 12.5 | 131.6 | 12.0 | 123.3 | 11.5 | 117.9 | 10.8 |
| | 37 | 34 | 147.1 | 12.0 | 137.7 | 11.5 | 139.9 | 11.9 | 131.6 | 11.2 | 123.3 | 10.3 | 117.9 | 9.7 |
| | 42 | 38 | 140.7 | 10.9 | 133.6 | 10.6 | 139.9 | 11.0 | 131.6 | 10.1 | 123.3 | 9.3 | 117.9 | 8.8 |
| | 47 | 43 | 137.7 | 10.1 | 137.4 | 9.9 | 139.9 | 10.0 | 131.6 | 9.3 | 123.3 | 8.6 | 117.9 | 8.1 |
| | 52 | 47 | 140.7 | 9.4 | 140.3 | 9.2 | 139.9 | 9.1 | 131.6 | 8.5 | 123.3 | 7.9 | 117.9 | 7.5 |
| | 57 | 52 | 142.8 | 8.7 | 142.5 | 8.6 | 139.9 | 8.4 | 131.6 | 7.9 | 123.3 | 7.3 | 117.9 | 7.0 |
| | 62 | 56 | 144.3 | 8.2 | 144.0 | 8.1 | 139.9 | 7.8 | 131.6 | 7.3 | 123.3 | 6.8 | 117.9 | 6.5 |
| | 67 | 61 | 145.3 | 7.6 | 144.9 | 7.6 | 139.9 | 7.3 | 131.6 | 6.8 | 123.3 | 6.4 | 117.9 | 6.1 |
| | 72 | 66 | 145.8 | 7.2 | 145.4 | 7.1 | 139.9 | 6.8 | 131.6 | 6.4 | 123.3 | 6.0 | 117.9 | 5.7 |
| | 75 | 69 | 146.0 | 6.9 | 145.7 | 6.9 | 139.9 | 6.6 | 131.6 | 6.2 | 123.3 | 5.8 | 117.9 | 5.5 |
| 80 | 74 | 146.4 | 6.5 | 146.1 | 6.5 | 139.9 | 6.2 | 131.6 | 5.8 | 123.3 | 5.5 | 117.9 | 5.2 | |
| 60% | -13 | -14 | 99.9 | 10.3 | 99.7 | 10.5 | 99.4 | 10.8 | 99.2 | 11.1 | 98.9 | 11.5 | 98.8 | 11.7 |
| | -8 | -9 | 104.0 | 10.7 | 103.8 | 11.0 | 103.5 | 11.3 | 103.3 | 11.6 | 103.0 | 11.9 | 101.1 | 12.0 |
| | -3 | -4 | 110.4 | 11.3 | 110.1 | 11.6 | 109.9 | 11.9 | 109.6 | 12.2 | 105.7 | 12.2 | 101.1 | 11.9 |
| | 2 | 1 | 118.4 | 11.9 | 118.1 | 12.3 | 117.9 | 12.6 | 112.8 | 12.4 | 105.7 | 12.0 | 101.1 | 11.7 |
| | 7 | 6 | 127.6 | 12.6 | 126.6 | 12.9 | 119.9 | 12.6 | 112.8 | 12.2 | 105.7 | 11.8 | 101.1 | 11.5 |
| | 12 | 10 | 133.8 | 12.9 | 126.6 | 12.6 | 119.9 | 12.2 | 112.8 | 11.9 | 105.7 | 11.5 | 101.1 | 11.2 |
| | 17 | 15 | 133.8 | 12.6 | 126.6 | 12.2 | 119.9 | 11.9 | 112.8 | 11.5 | 105.7 | 11.1 | 101.1 | 10.8 |
| | 22 | 20 | 133.8 | 12.2 | 126.6 | 11.8 | 119.9 | 11.5 | 112.8 | 11.1 | 105.7 | 10.7 | 101.1 | 10.4 |
| | 27 | 24 | 133.8 | 11.7 | 126.6 | 11.4 | 119.9 | 11.0 | 112.8 | 10.6 | 105.7 | 10.2 | 101.1 | 10.0 |
| | 32 | 29 | 133.8 | 11.2 | 126.6 | 10.9 | 119.9 | 10.6 | 112.8 | 10.2 | 105.7 | 9.7 | 101.1 | 9.1 |
| | 37 | 34 | 133.8 | 10.7 | 126.6 | 10.4 | 119.9 | 10.1 | 112.8 | 9.5 | 105.7 | 8.7 | 101.1 | 8.2 |
| | 42 | 38 | 133.8 | 10.2 | 126.6 | 9.9 | 119.9 | 9.3 | 112.8 | 8.6 | 105.7 | 7.9 | 101.1 | 7.5 |
| | 47 | 43 | 133.8 | 9.6 | 126.6 | 9.0 | 119.9 | 8.4 | 112.8 | 7.8 | 105.7 | 7.2 | 101.1 | 6.9 |
| | 52 | 47 | 133.8 | 8.8 | 126.6 | 8.2 | 119.9 | 7.7 | 112.8 | 7.2 | 105.7 | 6.7 | 101.1 | 6.3 |
| | 57 | 52 | 133.8 | 8.1 | 126.6 | 7.6 | 119.9 | 7.1 | 112.8 | 6.6 | 105.7 | 6.2 | 101.1 | 5.9 |
| | 62 | 56 | 133.8 | 7.4 | 126.6 | 7.0 | 119.9 | 6.6 | 112.8 | 6.2 | 105.7 | 5.8 | 101.1 | 5.5 |
| | 67 | 61 | 133.8 | 6.9 | 126.6 | 6.5 | 119.9 | 6.2 | 112.8 | 5.8 | 105.7 | 5.4 | 101.1 | 5.1 |
| | 72 | 66 | 133.8 | 6.5 | 126.6 | 6.1 | 119.9 | 5.8 | 112.8 | 5.4 | 105.7 | 5.1 | 101.1 | 4.8 |
| | 75 | 69 | 133.8 | 6.2 | 126.6 | 5.9 | 119.9 | 5.6 | 112.8 | 5.2 | 105.7 | 4.9 | 101.1 | 4.7 |
| 80 | 74 | 133.8 | 5.9 | 126.6 | 5.5 | 119.9 | 5.3 | 112.8 | 4.9 | 105.7 | 4.6 | 101.1 | 4.4 | |
| 50% | -13 | -14 | 99.5 | 10.1 | 99.3 | 10.4 | 99.0 | 10.6 | 94.0 | 10.4 | 88.1 | 10.1 | 84.2 | 9.8 |
| | -8 | -9 | 103.6 | 10.5 | 103.4 | 10.8 | 99.9 | 10.7 | 94.0 | 10.4 | 88.1 | 10.1 | 84.2 | 9.8 |
| | -3 | -4 | 110.0 | 11.1 | 105.5 | 10.9 | 99.9 | 10.7 | 94.0 | 10.3 | 88.1 | 10.0 | 84.2 | 9.8 |
| | 2 | 1 | 111.5 | 11.1 | 105.5 | 10.8 | 99.9 | 10.5 | 94.0 | 10.2 | 88.1 | 9.9 | 84.2 | 9.6 |
| | 7 | 6 | 111.5 | 10.9 | 105.5 | 10.6 | 99.9 | 10.3 | 94.0 | 10.0 | 88.1 | 9.7 | 84.2 | 9.4 |
| | 12 | 10 | 111.5 | 10.6 | 105.5 | 10.3 | 99.9 | 10.1 | 94.0 | 9.7 | 88.1 | 9.4 | 84.2 | 9.2 |
| | 17 | 15 | 111.5 | 10.3 | 105.5 | 10.0 | 99.9 | 9.8 | 94.0 | 9.4 | 88.1 | 9.1 | 84.2 | 8.9 |
| | 22 | 20 | 111.5 | 10.0 | 105.5 | 9.7 | 99.9 | 9.4 | 94.0 | 9.1 | 88.1 | 8.8 | 84.2 | 8.6 |
| | 27 | 24 | 111.5 | 9.6 | 105.5 | 9.3 | 99.9 | 9.1 | 94.0 | 8.7 | 88.1 | 8.4 | 84.2 | 8.2 |
| | 32 | 29 | 111.5 | 9.2 | 105.5 | 8.9 | 99.9 | 8.7 | 94.0 | 8.4 | 88.1 | 8.0 | 84.2 | 7.5 |
| | 37 | 34 | 111.5 | 8.8 | 105.5 | 8.5 | 99.9 | 8.3 | 94.0 | 7.8 | 88.1 | 7.2 | 84.2 | 6.8 |
| | 42 | 38 | 111.5 | 8.4 | 105.5 | 8.1 | 99.9 | 7.6 | 94.0 | 7.0 | 88.1 | 6.5 | 84.2 | 6.1 |
| | 47 | 43 | 111.5 | 7.9 | 105.5 | 7.4 | 99.9 | 6.9 | 94.0 | 6.4 | 88.1 | 5.9 | 84.2 | 5.6 |
| | 52 | 47 | 111.5 | 7.2 | 105.5 | 6.8 | 99.9 | 6.3 | 94.0 | 5.9 | 88.1 | 5.5 | 84.2 | 5.2 |
| | 57 | 52 | 111.5 | 6.6 | 105.5 | 6.2 | 99.9 | 5.9 | 94.0 | 5.5 | 88.1 | 5.1 | 84.2 | 4.8 |
| | 62 | 56 | 111.5 | 6.1 | 105.5 | 5.8 | 99.9 | 5.4 | 94.0 | 5.1 | 88.1 | 4.7 | 84.2 | 4.5 |
| | 67 | 61 | 111.5 | 5.7 | 105.5 | 5.4 | 99.9 | 5.1 | 94.0 | 4.7 | 88.1 | 4.4 | 84.2 | 4.2 |
| | 72 | 66 | 111.5 | 5.3 | 105.5 | 5.0 | 99.9 | 4.7 | 94.0 | 4.5 | 88.1 | 4.2 | 84.2 | 4.0 |
| | 75 | 69 | 111.5 | 5.1 | 105.5 | 4.8 | 99.9 | 4.6 | 94.0 | 4.3 | 88.1 | 4.0 | 84.2 | 3.8 |
| 80 | 74 | 111.5 | 4.8 | 105.5 | 4.6 | 99.9 | 4.3 | 94.0 | 4.1 | 88.1 | 3.8 | 84.2 | 3.6 | |

NOTE - Power Input = Compressor + Outdoor Fan Motor.
MBH = 1000 BTUs per hour.

COOLING CAPACITY - SINGLE MODULE | VRB192H4

| Combination (%) | Outdoor Temperature °F (Dry Bulb) | Indoor Temperature - °F (Dry Bulb / Wet Bulb) | | | | | | | | | | | |
|-----------------|-----------------------------------|---|-------------|------------|-------------|------------|-------------|------------|-------------|------------|-------------|------------|-------------|
| | | 67 / 57 | | 71 / 60 | | 75 / 63 | | 80 / 67 | | 85 / 71 | | 90 / 75 | |
| | | Total Cap. | Power Input | Total Cap. | Power Input | Total Cap. | Power Input | Total Cap. | Power Input | Total Cap. | Power Input | Total Cap. | Power Input |
| | | MBH | kW | MBH | kW | MBH | kW | MBH | kW | MBH | kW | MBH | kW |
| 130% | -10 | 147.2 | 5.3 | 178.8 | 6.5 | 208.6 | 7.6 | 249.6 | 9.3 | 292.4 | 11.2 | 321.5 | 12.6 |
| | -5 | 147.2 | 5.6 | 178.8 | 6.9 | 208.6 | 8.1 | 249.6 | 9.9 | 292.4 | 11.9 | 304.6 | 12.7 |
| | 10 | 147.2 | 5.7 | 178.8 | 7.0 | 208.6 | 8.3 | 249.6 | 10.1 | 292.4 | 12.1 | 298.7 | 12.7 |
| | 15 | 147.2 | 5.8 | 178.8 | 7.2 | 208.6 | 8.5 | 249.6 | 10.3 | 288.3 | 12.2 | 292.1 | 12.7 |
| | 20 | 147.2 | 6.0 | 178.8 | 7.3 | 208.6 | 8.7 | 249.6 | 10.6 | 281.6 | 12.2 | 285.5 | 12.7 |
| | 25 | 147.2 | 6.1 | 178.8 | 7.5 | 208.6 | 8.9 | 249.6 | 10.8 | 274.7 | 12.2 | 278.6 | 12.6 |
| | 30 | 147.2 | 6.3 | 178.8 | 7.7 | 208.6 | 9.1 | 249.6 | 11.1 | 268.1 | 12.1 | 271.9 | 12.6 |
| | 35 | 147.2 | 6.4 | 178.8 | 7.9 | 208.6 | 9.3 | 249.6 | 11.3 | 261.8 | 12.1 | 265.6 | 12.6 |
| | 40 | 147.2 | 6.6 | 178.8 | 8.1 | 208.6 | 9.5 | 249.6 | 11.6 | 257.8 | 12.3 | 261.6 | 12.7 |
| | 45 | 147.2 | 6.7 | 178.8 | 8.3 | 208.6 | 9.8 | 249.6 | 11.9 | 256.1 | 12.5 | 260.0 | 13.0 |
| | 50 | 147.2 | 6.9 | 178.8 | 8.5 | 208.6 | 10.0 | 249.6 | 12.2 | 254.9 | 12.7 | 258.7 | 13.2 |
| | 55 | 147.2 | 7.1 | 178.8 | 8.7 | 208.6 | 10.3 | 249.6 | 12.5 | 253.9 | 13.0 | 257.7 | 13.5 |
| | 60 | 147.2 | 7.3 | 178.8 | 8.9 | 208.6 | 10.6 | 249.6 | 12.9 | 254.3 | 13.4 | 256.9 | 13.9 |
| | 65 | 147.2 | 7.5 | 178.8 | 9.2 | 208.6 | 10.8 | 249.6 | 13.2 | 251.3 | 13.6 | 256.1 | 14.2 |
| | 70 | 147.2 | 8.1 | 178.8 | 10.0 | 208.6 | 11.8 | 249.6 | 14.4 | 250.3 | 14.7 | 255.1 | 15.4 |
| | 75 | 147.2 | 8.9 | 178.8 | 11.0 | 208.6 | 13.0 | 244.9 | 15.5 | 248.7 | 16.1 | 253.5 | 16.8 |
| | 80 | 147.2 | 9.8 | 178.8 | 12.0 | 208.6 | 14.2 | 242.4 | 16.8 | 246.2 | 17.5 | 251.0 | 18.2 |
| | 85 | 147.2 | 10.8 | 178.8 | 13.2 | 208.6 | 15.6 | 238.7 | 18.2 | 242.5 | 18.9 | 247.1 | 19.7 |
| | 90 | 147.2 | 11.8 | 178.8 | 14.5 | 208.6 | 17.1 | 233.2 | 19.5 | 237.0 | 20.2 | 241.5 | 21.1 |
| | 95 | 147.2 | 12.9 | 178.8 | 15.8 | 208.6 | 18.7 | 212.7 | 19.4 | 216.6 | 20.2 | 220.4 | 21.0 |
| 100 | 147.2 | 14.0 | 178.8 | 17.2 | 198.6 | 19.3 | 202.4 | 20.1 | 206.3 | 20.9 | 210.2 | 21.8 | |
| 105 | 147.2 | 15.1 | 178.8 | 18.6 | 183.6 | 19.3 | 187.5 | 20.1 | 193.0 | 21.1 | 196.7 | 22.0 | |
| 110 | 147.2 | 16.2 | 160.6 | 17.8 | 164.5 | 18.5 | 170.8 | 19.6 | 175.9 | 20.6 | 179.3 | 21.5 | |
| 115 | 135.5 | 15.7 | 139.3 | 16.4 | 144.2 | 17.1 | 149.7 | 18.1 | 154.2 | 19.1 | 157.1 | 19.9 | |
| 118 | 119.8 | 14.3 | 125.1 | 15.1 | 129.4 | 15.8 | 134.4 | 16.7 | 138.4 | 17.6 | 141.1 | 18.4 | |
| 125 | 81.3 | 10.1 | 84.9 | 10.7 | 87.8 | 11.2 | 91.2 | 11.9 | 93.9 | 12.5 | 95.7 | 13.0 | |
| 120% | -10 | 135.8 | 4.8 | 165.1 | 5.9 | 192.6 | 6.9 | 230.4 | 8.5 | 269.9 | 10.1 | 307.8 | 11.8 |
| | -5 | 135.8 | 5.1 | 165.1 | 6.3 | 192.6 | 7.4 | 230.4 | 9.0 | 269.9 | 10.8 | 299.5 | 12.2 |
| | 10 | 135.8 | 5.2 | 165.1 | 6.4 | 192.6 | 7.5 | 230.4 | 9.2 | 269.9 | 11.0 | 293.6 | 12.3 |
| | 15 | 135.8 | 5.3 | 165.1 | 6.5 | 192.6 | 7.7 | 230.4 | 9.4 | 269.9 | 11.3 | 287.1 | 12.3 |
| | 20 | 135.8 | 5.4 | 165.1 | 6.7 | 192.6 | 7.9 | 230.4 | 9.6 | 269.9 | 11.5 | 280.5 | 12.2 |
| | 25 | 135.8 | 5.6 | 165.1 | 6.8 | 192.6 | 8.1 | 230.4 | 9.8 | 269.9 | 11.8 | 273.6 | 12.2 |
| | 30 | 135.8 | 5.7 | 165.1 | 7.0 | 192.6 | 8.2 | 230.4 | 10.1 | 263.2 | 11.7 | 267.0 | 12.2 |
| | 35 | 135.8 | 5.8 | 165.1 | 7.2 | 192.6 | 8.4 | 230.4 | 10.3 | 256.9 | 11.7 | 260.8 | 12.2 |
| | 40 | 135.8 | 6.0 | 165.1 | 7.3 | 192.6 | 8.7 | 230.4 | 10.5 | 252.8 | 11.8 | 256.7 | 12.3 |
| | 45 | 135.8 | 6.1 | 165.1 | 7.5 | 192.6 | 8.9 | 230.4 | 10.8 | 251.2 | 12.0 | 255.1 | 12.5 |
| | 50 | 135.8 | 6.3 | 165.1 | 7.7 | 192.6 | 9.1 | 230.4 | 11.1 | 250.0 | 12.3 | 253.8 | 12.8 |
| | 55 | 135.8 | 6.4 | 165.1 | 7.9 | 192.6 | 9.3 | 230.4 | 11.4 | 249.0 | 12.6 | 252.9 | 13.1 |
| | 60 | 135.8 | 6.6 | 165.1 | 8.1 | 192.6 | 9.6 | 230.4 | 11.7 | 249.2 | 12.9 | 252.1 | 13.4 |
| | 65 | 135.8 | 6.8 | 165.1 | 8.3 | 192.6 | 9.9 | 230.4 | 12.0 | 246.6 | 13.1 | 251.3 | 13.7 |
| | 70 | 135.8 | 7.4 | 165.1 | 9.1 | 192.6 | 10.7 | 230.4 | 13.1 | 245.6 | 14.2 | 250.3 | 14.9 |
| | 75 | 135.8 | 8.1 | 165.1 | 10.0 | 192.6 | 11.8 | 230.4 | 14.3 | 244.0 | 15.5 | 248.7 | 16.2 |
| | 80 | 135.8 | 8.9 | 165.1 | 10.9 | 192.6 | 12.9 | 230.4 | 15.8 | 241.6 | 16.9 | 246.2 | 17.6 |
| | 85 | 135.8 | 9.8 | 165.1 | 12.0 | 192.6 | 14.2 | 230.4 | 17.3 | 237.9 | 18.2 | 242.5 | 19.1 |
| | 90 | 135.8 | 10.7 | 165.1 | 13.2 | 192.6 | 15.5 | 230.4 | 18.9 | 232.5 | 19.5 | 237.0 | 20.4 |
| | 95 | 135.8 | 11.7 | 165.1 | 14.4 | 192.6 | 17.0 | 212.7 | 19.1 | 216.6 | 19.9 | 220.4 | 20.7 |
| 100 | 135.8 | 12.7 | 165.1 | 15.6 | 192.6 | 18.4 | 202.4 | 19.8 | 206.3 | 20.6 | 210.2 | 21.5 | |
| 105 | 135.8 | 13.7 | 165.1 | 16.9 | 183.6 | 19.0 | 187.5 | 19.8 | 193.0 | 20.8 | 196.7 | 21.7 | |
| 110 | 135.8 | 14.7 | 160.6 | 17.6 | 164.5 | 18.2 | 170.8 | 19.3 | 175.9 | 20.3 | 179.3 | 21.2 | |
| 115 | 135.8 | 15.5 | 139.3 | 16.1 | 144.2 | 16.9 | 149.7 | 17.9 | 154.2 | 18.8 | 157.1 | 19.6 | |
| 118 | 119.8 | 14.1 | 125.1 | 14.9 | 129.4 | 15.6 | 134.4 | 16.5 | 138.4 | 17.4 | 141.1 | 18.1 | |
| 125 | 81.3 | 10.0 | 84.9 | 10.5 | 87.8 | 11.0 | 91.2 | 11.7 | 93.9 | 12.3 | 95.7 | 12.8 | |

NOTE - Power Input = Compressor + Outdoor Fan Motor.
 MBH = 1000 BTUs per hour.

COOLING CAPACITY - SINGLE MODULE | VRB192H4

| Combination (%) | Outdoor Temperature °F (Dry Bulb) | Indoor Temperature - °F (Dry Bulb / Wet Bulb) | | | | | | | | | | | |
|-----------------|-----------------------------------|---|-------------|------------|-------------|------------|-------------|------------|-------------|------------|-------------|------------|-------------|
| | | 67 / 57 | | 71 / 60 | | 75 / 63 | | 80 / 67 | | 85 / 71 | | 90 / 75 | |
| | | Total Cap. | Power Input | Total Cap. | Power Input | Total Cap. | Power Input | Total Cap. | Power Input | Total Cap. | Power Input | Total Cap. | Power Input |
| | | MBH | KW | MBH | KW | MBH | KW | MBH | KW | MBH | KW | MBH | KW |
| 110% | -10 | 124.5 | 4.3 | 151.3 | 5.3 | 176.5 | 6.3 | 211.2 | 7.6 | 247.5 | 9.2 | 282.1 | 10.7 |
| | -5 | 124.5 | 4.6 | 151.3 | 5.6 | 176.5 | 6.7 | 211.2 | 8.1 | 247.5 | 9.7 | 282.1 | 11.4 |
| | 10 | 124.5 | 4.7 | 151.3 | 5.8 | 176.5 | 6.8 | 211.2 | 8.3 | 247.5 | 9.9 | 282.1 | 11.6 |
| | 15 | 124.5 | 4.8 | 151.3 | 5.9 | 176.5 | 7.0 | 211.2 | 8.5 | 247.5 | 10.2 | 282.0 | 11.9 |
| | 20 | 124.5 | 4.9 | 151.3 | 6.0 | 176.5 | 7.1 | 211.2 | 8.7 | 247.5 | 10.4 | 275.5 | 11.8 |
| | 25 | 124.5 | 5.0 | 151.3 | 6.2 | 176.5 | 7.3 | 211.2 | 8.9 | 247.5 | 10.6 | 268.6 | 11.8 |
| | 30 | 124.5 | 5.1 | 151.3 | 6.3 | 176.5 | 7.4 | 211.2 | 9.1 | 247.5 | 10.9 | 262.1 | 11.8 |
| | 35 | 124.5 | 5.3 | 151.3 | 6.5 | 176.5 | 7.6 | 211.2 | 9.3 | 247.5 | 11.1 | 255.9 | 11.8 |
| | 40 | 124.5 | 5.4 | 151.3 | 6.6 | 176.5 | 7.8 | 211.2 | 9.5 | 247.5 | 11.4 | 251.7 | 11.9 |
| | 45 | 124.5 | 5.5 | 151.3 | 6.8 | 176.5 | 8.0 | 211.2 | 9.8 | 247.5 | 11.7 | 250.2 | 12.1 |
| | 50 | 124.5 | 5.7 | 151.3 | 7.0 | 176.5 | 8.2 | 211.2 | 10.0 | 247.5 | 12.0 | 248.9 | 12.4 |
| | 55 | 124.5 | 5.8 | 151.3 | 7.1 | 176.5 | 8.4 | 211.2 | 10.3 | 247.5 | 12.3 | 248.0 | 12.6 |
| | 60 | 124.5 | 6.0 | 151.3 | 7.3 | 176.5 | 8.7 | 211.2 | 10.6 | 244.1 | 12.5 | 247.2 | 12.9 |
| | 65 | 124.5 | 6.1 | 151.3 | 7.5 | 176.5 | 8.9 | 211.2 | 10.8 | 241.8 | 12.7 | 246.5 | 13.3 |
| | 70 | 124.5 | 6.7 | 151.3 | 8.2 | 176.5 | 9.7 | 211.2 | 11.8 | 240.8 | 13.8 | 245.5 | 14.4 |
| | 75 | 124.5 | 7.3 | 151.3 | 9.0 | 176.5 | 10.6 | 211.2 | 13.0 | 239.3 | 15.0 | 243.9 | 15.7 |
| | 80 | 124.5 | 8.0 | 151.3 | 9.9 | 176.5 | 11.7 | 211.2 | 14.2 | 237.0 | 16.3 | 241.5 | 17.0 |
| | 85 | 124.5 | 8.8 | 151.3 | 10.8 | 176.5 | 12.8 | 211.2 | 15.6 | 233.3 | 17.6 | 237.8 | 18.4 |
| | 90 | 124.5 | 9.7 | 151.3 | 11.9 | 176.5 | 14.0 | 211.2 | 17.1 | 228.1 | 18.9 | 232.4 | 19.7 |
| | 95 | 124.5 | 10.6 | 151.3 | 13.0 | 176.5 | 15.3 | 211.2 | 18.7 | 216.6 | 19.6 | 220.4 | 20.4 |
| 100 | 124.5 | 11.5 | 151.3 | 14.1 | 176.5 | 16.7 | 205.6 | 19.8 | 206.3 | 20.3 | 210.2 | 21.2 | |
| 105 | 124.5 | 12.4 | 151.3 | 15.2 | 176.5 | 18.0 | 187.5 | 19.5 | 193.0 | 20.5 | 196.7 | 21.4 | |
| 110 | 124.5 | 13.3 | 151.3 | 16.3 | 164.5 | 17.9 | 170.8 | 19.0 | 175.9 | 20.0 | 179.3 | 20.8 | |
| 115 | 124.5 | 14.0 | 139.3 | 15.9 | 144.2 | 16.6 | 149.7 | 17.6 | 154.2 | 18.5 | 157.1 | 19.3 | |
| 118 | 119.8 | 13.9 | 125.1 | 14.7 | 129.4 | 15.3 | 134.4 | 16.2 | 138.4 | 17.1 | 141.1 | 17.8 | |
| 125 | 81.3 | 9.8 | 84.9 | 10.4 | 87.8 | 10.9 | 91.2 | 11.5 | 93.9 | 12.1 | 95.7 | 12.6 | |
| 100% | -10 | 113.2 | 3.9 | 137.6 | 4.8 | 160.5 | 5.6 | 192.0 | 6.8 | 225.0 | 8.2 | 256.5 | 9.6 |
| | -5 | 113.2 | 4.1 | 137.6 | 5.1 | 160.5 | 6.0 | 192.0 | 7.3 | 225.0 | 8.7 | 256.5 | 10.2 |
| | 10 | 113.2 | 4.2 | 137.6 | 5.2 | 160.5 | 6.1 | 192.0 | 7.4 | 225.0 | 8.9 | 256.5 | 10.4 |
| | 15 | 113.2 | 4.3 | 137.6 | 5.3 | 160.5 | 6.2 | 192.0 | 7.6 | 225.0 | 9.1 | 256.5 | 10.6 |
| | 20 | 113.2 | 4.4 | 137.6 | 5.4 | 160.5 | 6.4 | 192.0 | 7.8 | 225.0 | 9.3 | 256.2 | 10.8 |
| | 25 | 113.2 | 4.5 | 137.6 | 5.5 | 160.5 | 6.5 | 192.0 | 7.9 | 225.0 | 9.5 | 253.6 | 11.0 |
| | 30 | 113.2 | 4.6 | 137.6 | 5.6 | 160.5 | 6.7 | 192.0 | 8.1 | 225.0 | 9.7 | 251.0 | 11.1 |
| | 35 | 113.2 | 4.7 | 137.6 | 5.8 | 160.5 | 6.8 | 192.0 | 8.3 | 225.0 | 10.0 | 248.8 | 11.3 |
| | 40 | 113.2 | 4.8 | 137.6 | 5.9 | 160.5 | 7.0 | 192.0 | 8.5 | 225.0 | 10.2 | 246.8 | 11.5 |
| | 45 | 113.2 | 4.9 | 137.6 | 6.1 | 160.5 | 7.2 | 192.0 | 8.7 | 225.0 | 10.5 | 245.3 | 11.7 |
| | 50 | 113.2 | 5.1 | 137.6 | 6.2 | 160.5 | 7.4 | 192.0 | 9.0 | 225.0 | 10.7 | 244.0 | 11.9 |
| | 55 | 113.2 | 5.2 | 137.6 | 6.4 | 160.5 | 7.5 | 192.0 | 9.2 | 225.0 | 11.0 | 243.1 | 12.2 |
| | 60 | 113.2 | 5.3 | 137.6 | 6.6 | 160.5 | 7.8 | 192.0 | 9.4 | 225.0 | 11.3 | 242.4 | 12.5 |
| | 65 | 113.2 | 5.5 | 137.6 | 6.7 | 160.5 | 8.0 | 192.0 | 9.7 | 225.0 | 11.6 | 241.6 | 12.8 |
| | 70 | 113.2 | 6.0 | 137.6 | 7.3 | 160.5 | 8.7 | 192.0 | 10.6 | 225.0 | 12.7 | 240.6 | 13.9 |
| | 75 | 113.2 | 6.6 | 137.6 | 8.1 | 160.5 | 9.5 | 192.0 | 11.6 | 225.0 | 13.9 | 239.1 | 15.1 |
| | 80 | 113.2 | 7.2 | 137.6 | 8.8 | 160.5 | 10.4 | 192.0 | 12.7 | 225.0 | 15.3 | 236.8 | 16.4 |
| | 85 | 113.2 | 7.9 | 137.6 | 9.7 | 160.5 | 11.5 | 192.0 | 14.0 | 225.0 | 16.7 | 233.2 | 17.8 |
| | 90 | 113.2 | 8.7 | 137.6 | 10.6 | 160.5 | 12.6 | 192.0 | 15.3 | 223.6 | 18.2 | 227.9 | 19.0 |
| | 95 | 113.2 | 9.5 | 137.6 | 11.6 | 160.5 | 13.7 | 192.0 | 16.7 | 216.3 | 19.3 | 220.4 | 20.1 |
| 100 | 113.2 | 10.3 | 137.6 | 12.6 | 160.5 | 14.9 | 192.0 | 18.2 | 206.3 | 20.0 | 210.2 | 20.8 | |
| 105 | 113.2 | 11.1 | 137.6 | 13.6 | 160.5 | 16.1 | 187.5 | 19.2 | 193.0 | 20.2 | 196.7 | 21.1 | |
| 110 | 113.2 | 11.9 | 137.6 | 14.6 | 160.5 | 17.2 | 170.8 | 18.7 | 175.9 | 19.7 | 179.3 | 20.5 | |
| 115 | 113.2 | 12.6 | 137.6 | 15.4 | 144.2 | 16.4 | 149.7 | 17.3 | 154.2 | 18.2 | 157.1 | 19.0 | |
| 118 | 113.2 | 12.9 | 125.1 | 14.4 | 129.4 | 15.1 | 134.4 | 16.0 | 138.4 | 16.8 | 141.1 | 17.6 | |
| 125 | 81.3 | 9.7 | 84.9 | 10.2 | 87.8 | 10.7 | 91.2 | 11.3 | 93.9 | 11.9 | 95.7 | 12.4 | |

NOTE - Power Input = Compressor + Outdoor Fan Motor.
 MBH = 1000 BTUs per hour.

COOLING CAPACITY - SINGLE MODULE | VRB192H4

| Combination (%) | Outdoor Temperature °F (Dry Bulb) | Indoor Temperature - °F (Dry Bulb / Wet Bulb) | | | | | | | | | | | |
|-----------------|-----------------------------------|---|-------------|------------|-------------|------------|-------------|------------|-------------|------------|-------------|------------|-------------|
| | | 67 / 57 | | 71 / 60 | | 75 / 63 | | 80 / 67 | | 85 / 71 | | 90 / 75 | |
| | | Total Cap. | Power Input | Total Cap. | Power Input | Total Cap. | Power Input | Total Cap. | Power Input | Total Cap. | Power Input | Total Cap. | Power Input |
| | | MBH | kW | MBH | kW | MBH | kW | MBH | kW | MBH | kW | MBH | kW |
| 90% | -10 | 101.9 | 3.4 | 123.8 | 4.2 | 144.4 | 5.0 | 172.8 | 6.1 | 202.5 | 7.3 | 230.8 | 8.5 |
| | -5 | 101.9 | 3.6 | 123.8 | 4.5 | 144.4 | 5.3 | 172.8 | 6.5 | 202.5 | 7.7 | 230.8 | 9.0 |
| | 10 | 101.9 | 3.7 | 123.8 | 4.6 | 144.4 | 5.4 | 172.8 | 6.6 | 202.5 | 7.9 | 230.8 | 9.2 |
| | 15 | 101.9 | 3.8 | 123.8 | 4.7 | 144.4 | 5.5 | 172.8 | 6.7 | 202.5 | 8.1 | 230.8 | 9.4 |
| | 20 | 101.9 | 3.9 | 123.8 | 4.8 | 144.4 | 5.6 | 172.8 | 6.9 | 202.5 | 8.2 | 230.8 | 9.6 |
| | 25 | 101.9 | 4.0 | 123.8 | 4.9 | 144.4 | 5.8 | 172.8 | 7.0 | 202.5 | 8.4 | 230.8 | 9.8 |
| | 30 | 101.9 | 4.1 | 123.8 | 5.0 | 144.4 | 5.9 | 172.8 | 7.2 | 202.5 | 8.6 | 230.8 | 10.1 |
| | 35 | 101.9 | 4.2 | 123.8 | 5.1 | 144.4 | 6.1 | 172.8 | 7.4 | 202.5 | 8.8 | 230.8 | 10.3 |
| | 40 | 101.9 | 4.3 | 123.8 | 5.3 | 144.4 | 6.2 | 172.8 | 7.6 | 202.5 | 9.1 | 230.8 | 10.6 |
| | 45 | 101.9 | 4.4 | 123.8 | 5.4 | 144.4 | 6.4 | 172.8 | 7.7 | 202.5 | 9.3 | 230.8 | 10.8 |
| | 50 | 101.9 | 4.5 | 123.8 | 5.5 | 144.4 | 6.5 | 172.8 | 7.9 | 202.5 | 9.5 | 230.8 | 11.1 |
| | 55 | 101.9 | 4.6 | 123.8 | 5.7 | 144.4 | 6.7 | 172.8 | 8.2 | 202.5 | 9.8 | 230.8 | 11.4 |
| | 60 | 101.9 | 4.7 | 123.8 | 5.8 | 144.4 | 6.9 | 172.8 | 8.4 | 202.5 | 10.0 | 230.8 | 11.7 |
| | 65 | 101.9 | 4.9 | 123.8 | 6.0 | 144.4 | 7.1 | 172.8 | 8.6 | 202.5 | 10.3 | 230.8 | 12.0 |
| | 70 | 101.9 | 5.3 | 123.8 | 6.5 | 144.4 | 7.7 | 172.8 | 9.4 | 202.5 | 11.2 | 230.8 | 13.1 |
| | 75 | 101.9 | 5.8 | 123.8 | 7.1 | 144.4 | 8.4 | 172.8 | 10.3 | 202.5 | 12.3 | 230.8 | 14.4 |
| | 80 | 101.9 | 6.4 | 123.8 | 7.8 | 144.4 | 9.3 | 172.8 | 11.3 | 202.5 | 13.5 | 230.8 | 15.8 |
| | 85 | 101.9 | 7.0 | 123.8 | 8.6 | 144.4 | 10.2 | 172.8 | 12.4 | 202.5 | 14.8 | 228.5 | 17.2 |
| | 90 | 101.9 | 7.7 | 123.8 | 9.4 | 144.4 | 11.1 | 172.8 | 13.6 | 202.5 | 16.3 | 223.3 | 18.4 |
| | 95 | 101.9 | 8.4 | 123.8 | 10.3 | 144.4 | 12.2 | 172.8 | 14.8 | 202.5 | 17.8 | 220.4 | 19.8 |
| 100 | 101.9 | 9.1 | 123.8 | 11.2 | 144.4 | 13.2 | 172.8 | 16.1 | 202.1 | 19.3 | 210.2 | 20.5 | |
| 105 | 101.9 | 9.8 | 123.8 | 12.1 | 144.4 | 14.3 | 172.8 | 17.4 | 193.0 | 19.9 | 196.7 | 20.7 | |
| 110 | 101.9 | 10.5 | 123.8 | 12.9 | 144.4 | 15.3 | 170.8 | 18.4 | 175.9 | 19.4 | 179.3 | 20.2 | |
| 115 | 101.9 | 11.1 | 123.8 | 13.7 | 144.2 | 16.1 | 149.7 | 17.1 | 154.2 | 18.0 | 157.1 | 18.8 | |
| 118 | 101.9 | 11.5 | 123.8 | 14.1 | 129.4 | 14.9 | 134.4 | 15.8 | 138.4 | 16.6 | 141.1 | 17.3 | |
| 125 | 81.3 | 9.5 | 84.9 | 10.1 | 87.8 | 10.5 | 91.2 | 11.2 | 93.9 | 11.7 | 95.7 | 12.3 | |
| 80% | -10 | 90.6 | 3.0 | 110.0 | 3.7 | 128.4 | 4.4 | 153.6 | 5.3 | 180.0 | 6.4 | 205.2 | 7.4 |
| | -5 | 90.6 | 3.2 | 110.0 | 3.9 | 128.4 | 4.6 | 153.6 | 5.7 | 180.0 | 6.8 | 205.2 | 7.9 |
| | 10 | 90.6 | 3.3 | 110.0 | 4.0 | 128.4 | 4.7 | 153.6 | 5.8 | 180.0 | 6.9 | 205.2 | 8.1 |
| | 15 | 90.6 | 3.3 | 110.0 | 4.1 | 128.4 | 4.8 | 153.6 | 5.9 | 180.0 | 7.1 | 205.2 | 8.3 |
| | 20 | 90.6 | 3.4 | 110.0 | 4.2 | 128.4 | 4.9 | 153.6 | 6.0 | 180.0 | 7.2 | 205.2 | 8.4 |
| | 25 | 90.6 | 3.5 | 110.0 | 4.3 | 128.4 | 5.1 | 153.6 | 6.2 | 180.0 | 7.4 | 205.2 | 8.6 |
| | 30 | 90.6 | 3.6 | 110.0 | 4.4 | 128.4 | 5.2 | 153.6 | 6.3 | 180.0 | 7.6 | 205.2 | 8.8 |
| | 35 | 90.6 | 3.7 | 110.0 | 4.5 | 128.4 | 5.3 | 153.6 | 6.5 | 180.0 | 7.7 | 205.2 | 9.0 |
| | 40 | 90.6 | 3.7 | 110.0 | 4.6 | 128.4 | 5.4 | 153.6 | 6.6 | 180.0 | 7.9 | 205.2 | 9.3 |
| | 45 | 90.6 | 3.8 | 110.0 | 4.7 | 128.4 | 5.6 | 153.6 | 6.8 | 180.0 | 8.1 | 205.2 | 9.5 |
| | 50 | 90.6 | 3.9 | 110.0 | 4.8 | 128.4 | 5.7 | 153.6 | 7.0 | 180.0 | 8.3 | 205.2 | 9.7 |
| | 55 | 90.6 | 4.0 | 110.0 | 5.0 | 128.4 | 5.9 | 153.6 | 7.1 | 180.0 | 8.6 | 205.2 | 10.0 |
| | 60 | 90.6 | 4.1 | 110.0 | 5.1 | 128.4 | 6.0 | 153.6 | 7.3 | 180.0 | 8.8 | 205.2 | 10.3 |
| | 65 | 90.6 | 4.3 | 110.0 | 5.2 | 128.4 | 6.2 | 153.6 | 7.5 | 180.0 | 9.0 | 205.2 | 10.6 |
| | 70 | 90.6 | 4.6 | 110.0 | 5.7 | 128.4 | 6.7 | 153.6 | 8.2 | 180.0 | 9.8 | 205.2 | 11.5 |
| | 75 | 90.6 | 5.1 | 110.0 | 6.3 | 128.4 | 7.4 | 153.6 | 9.0 | 180.0 | 10.8 | 205.2 | 12.6 |
| | 80 | 90.6 | 5.6 | 110.0 | 6.9 | 128.4 | 8.1 | 153.6 | 9.9 | 180.0 | 11.8 | 205.2 | 13.8 |
| | 85 | 90.6 | 6.1 | 110.0 | 7.5 | 128.4 | 8.9 | 153.6 | 10.9 | 180.0 | 13.0 | 205.2 | 15.2 |
| | 90 | 90.6 | 6.7 | 110.0 | 8.3 | 128.4 | 9.8 | 153.6 | 11.9 | 180.0 | 14.2 | 205.2 | 16.6 |
| | 95 | 90.6 | 7.3 | 110.0 | 9.0 | 128.4 | 10.7 | 153.6 | 13.0 | 180.0 | 15.6 | 205.2 | 18.2 |
| 100 | 90.6 | 8.0 | 110.0 | 9.8 | 128.4 | 11.6 | 153.6 | 14.1 | 180.0 | 16.9 | 205.2 | 19.7 | |
| 105 | 90.6 | 8.6 | 110.0 | 10.6 | 128.4 | 12.5 | 153.6 | 15.2 | 180.0 | 18.3 | 196.7 | 20.4 | |
| 110 | 90.6 | 9.2 | 110.0 | 11.3 | 128.4 | 13.4 | 153.6 | 16.3 | 175.9 | 19.1 | 179.3 | 19.9 | |
| 115 | 90.6 | 9.8 | 110.0 | 12.0 | 128.4 | 14.2 | 149.7 | 16.8 | 154.2 | 17.7 | 157.1 | 18.5 | |
| 118 | 90.6 | 10.0 | 110.0 | 12.3 | 128.4 | 14.6 | 134.4 | 15.5 | 138.4 | 16.3 | 141.1 | 17.1 | |
| 125 | 81.3 | 9.4 | 84.9 | 9.9 | 87.8 | 10.4 | 91.2 | 11.0 | 93.9 | 11.6 | 95.7 | 12.1 | |

NOTE - Power Input = Compressor + Outdoor Fan Motor.
 MBH = 1000 BTUs per hour.

COOLING CAPACITY - SINGLE MODULE | VRB192H4

| Combination (%) | Outdoor Temperature °F (Dry Bulb) | Indoor Temperature - °F (Dry Bulb / Wet Bulb) | | | | | | | | | | | |
|-----------------|-----------------------------------|---|-------------|------------|-------------|------------|-------------|------------|-------------|------------|-------------|------------|-------------|
| | | 67 / 57 | | 71 / 60 | | 75 / 63 | | 80 / 67 | | 85 / 71 | | 90 / 75 | |
| | | Total Cap. | Power Input | Total Cap. | Power Input | Total Cap. | Power Input | Total Cap. | Power Input | Total Cap. | Power Input | Total Cap. | Power Input |
| | | MBH | KW | MBH | KW | MBH | KW | MBH | KW | MBH | KW | MBH | KW |
| 70% | -10 | 79.2 | 2.6 | 96.3 | 3.2 | 112.3 | 3.8 | 134.4 | 4.6 | 157.5 | 5.5 | 179.5 | 6.4 |
| | -5 | 79.2 | 2.8 | 96.3 | 3.4 | 112.3 | 4.0 | 134.4 | 4.9 | 157.5 | 5.8 | 179.5 | 6.8 |
| | 10 | 79.2 | 2.8 | 96.3 | 3.5 | 112.3 | 4.1 | 134.4 | 5.0 | 157.5 | 6.0 | 179.5 | 7.0 |
| | 15 | 79.2 | 2.9 | 96.3 | 3.5 | 112.3 | 4.2 | 134.4 | 5.1 | 157.5 | 6.1 | 179.5 | 7.1 |
| | 20 | 79.2 | 2.9 | 96.3 | 3.6 | 112.3 | 4.3 | 134.4 | 5.2 | 157.5 | 6.2 | 179.5 | 7.3 |
| | 25 | 79.2 | 3.0 | 96.3 | 3.7 | 112.3 | 4.4 | 134.4 | 5.3 | 157.5 | 6.4 | 179.5 | 7.4 |
| | 30 | 79.2 | 3.1 | 96.3 | 3.8 | 112.3 | 4.5 | 134.4 | 5.4 | 157.5 | 6.5 | 179.5 | 7.6 |
| | 35 | 79.2 | 3.2 | 96.3 | 3.9 | 112.3 | 4.6 | 134.4 | 5.6 | 157.5 | 6.7 | 179.5 | 7.8 |
| | 40 | 79.2 | 3.2 | 96.3 | 4.0 | 112.3 | 4.7 | 134.4 | 5.7 | 157.5 | 6.8 | 179.5 | 8.0 |
| | 45 | 79.2 | 3.3 | 96.3 | 4.1 | 112.3 | 4.8 | 134.4 | 5.9 | 157.5 | 7.0 | 179.5 | 8.2 |
| | 50 | 79.2 | 3.4 | 96.3 | 4.2 | 112.3 | 4.9 | 134.4 | 6.0 | 157.5 | 7.2 | 179.5 | 8.4 |
| | 55 | 79.2 | 3.5 | 96.3 | 4.3 | 112.3 | 5.1 | 134.4 | 6.2 | 157.5 | 7.4 | 179.5 | 8.6 |
| | 60 | 79.2 | 3.6 | 96.3 | 4.4 | 112.3 | 5.2 | 134.4 | 6.3 | 157.5 | 7.6 | 179.5 | 8.9 |
| | 65 | 79.2 | 3.7 | 96.3 | 4.5 | 112.3 | 5.3 | 134.4 | 6.5 | 157.5 | 7.8 | 179.5 | 9.1 |
| | 70 | 79.2 | 4.0 | 96.3 | 4.9 | 112.3 | 5.8 | 134.4 | 7.1 | 157.5 | 8.5 | 179.5 | 9.9 |
| | 75 | 79.2 | 4.4 | 96.3 | 5.4 | 112.3 | 6.4 | 134.4 | 7.8 | 157.5 | 9.3 | 179.5 | 10.9 |
| | 80 | 79.2 | 4.8 | 96.3 | 5.9 | 112.3 | 7.0 | 134.4 | 8.5 | 157.5 | 10.2 | 179.5 | 11.9 |
| | 85 | 79.2 | 5.3 | 96.3 | 6.5 | 112.3 | 7.7 | 134.4 | 9.4 | 157.5 | 11.2 | 179.5 | 13.1 |
| | 90 | 79.2 | 5.8 | 96.3 | 7.1 | 112.3 | 8.4 | 134.4 | 10.3 | 157.5 | 12.3 | 179.5 | 14.3 |
| | 95 | 79.2 | 6.3 | 96.3 | 7.8 | 112.3 | 9.2 | 134.4 | 11.2 | 157.5 | 13.4 | 179.5 | 15.7 |
| 100 | 79.2 | 6.9 | 96.3 | 8.5 | 112.3 | 10.0 | 134.4 | 12.2 | 157.5 | 14.6 | 179.5 | 17.0 | |
| 105 | 79.2 | 7.4 | 96.3 | 9.1 | 112.3 | 10.8 | 134.4 | 13.1 | 157.5 | 15.7 | 179.5 | 18.4 | |
| 110 | 79.2 | 8.0 | 96.3 | 9.8 | 112.3 | 11.5 | 134.4 | 14.1 | 157.5 | 16.9 | 179.3 | 19.6 | |
| 115 | 79.2 | 8.4 | 96.3 | 10.3 | 112.3 | 12.2 | 134.4 | 14.9 | 154.2 | 17.5 | 157.1 | 18.2 | |
| 118 | 79.2 | 8.7 | 96.3 | 10.6 | 112.3 | 12.6 | 134.4 | 15.3 | 138.4 | 16.1 | 141.1 | 16.8 | |
| 125 | 76.4 | 8.7 | 84.9 | 9.8 | 87.8 | 10.2 | 91.2 | 10.8 | 93.9 | 11.4 | 95.7 | 11.9 | |
| 60% | -10 | 67.9 | 2.2 | 82.5 | 2.7 | 96.3 | 3.2 | 115.2 | 3.9 | 135.0 | 4.6 | 153.9 | 5.4 |
| | -5 | 67.9 | 2.3 | 82.5 | 2.9 | 96.3 | 3.4 | 115.2 | 4.1 | 135.0 | 4.9 | 153.9 | 5.8 |
| | 10 | 67.9 | 2.4 | 82.5 | 2.9 | 96.3 | 3.5 | 115.2 | 4.2 | 135.0 | 5.0 | 153.9 | 5.9 |
| | 15 | 67.9 | 2.4 | 82.5 | 3.0 | 96.3 | 3.5 | 115.2 | 4.3 | 135.0 | 5.1 | 153.9 | 6.0 |
| | 20 | 67.9 | 2.5 | 82.5 | 3.1 | 96.3 | 3.6 | 115.2 | 4.4 | 135.0 | 5.3 | 153.9 | 6.1 |
| | 25 | 67.9 | 2.5 | 82.5 | 3.1 | 96.3 | 3.7 | 115.2 | 4.5 | 135.0 | 5.4 | 153.9 | 6.3 |
| | 30 | 67.9 | 2.6 | 82.5 | 3.2 | 96.3 | 3.8 | 115.2 | 4.6 | 135.0 | 5.5 | 153.9 | 6.4 |
| | 35 | 67.9 | 2.7 | 82.5 | 3.3 | 96.3 | 3.9 | 115.2 | 4.7 | 135.0 | 5.6 | 153.9 | 6.6 |
| | 40 | 67.9 | 2.7 | 82.5 | 3.4 | 96.3 | 4.0 | 115.2 | 4.8 | 135.0 | 5.8 | 153.9 | 6.7 |
| | 45 | 67.9 | 2.8 | 82.5 | 3.4 | 96.3 | 4.1 | 115.2 | 4.9 | 135.0 | 5.9 | 153.9 | 6.9 |
| | 50 | 67.9 | 2.9 | 82.5 | 3.5 | 96.3 | 4.2 | 115.2 | 5.1 | 135.0 | 6.1 | 153.9 | 7.1 |
| | 55 | 67.9 | 2.9 | 82.5 | 3.6 | 96.3 | 4.3 | 115.2 | 5.2 | 135.0 | 6.2 | 153.9 | 7.3 |
| | 60 | 67.9 | 3.0 | 82.5 | 3.7 | 96.3 | 4.4 | 115.2 | 5.3 | 135.0 | 6.4 | 153.9 | 7.5 |
| | 65 | 67.9 | 3.1 | 82.5 | 3.8 | 96.3 | 4.5 | 115.2 | 5.5 | 135.0 | 6.6 | 153.9 | 7.7 |
| | 70 | 67.9 | 3.4 | 82.5 | 4.2 | 96.3 | 4.9 | 115.2 | 6.0 | 135.0 | 7.2 | 153.9 | 8.4 |
| | 75 | 67.9 | 3.7 | 82.5 | 4.6 | 96.3 | 5.4 | 115.2 | 6.6 | 135.0 | 7.9 | 153.9 | 9.2 |
| | 80 | 67.9 | 4.1 | 82.5 | 5.0 | 96.3 | 5.9 | 115.2 | 7.2 | 135.0 | 8.6 | 153.9 | 10.1 |
| | 85 | 67.9 | 4.5 | 82.5 | 5.5 | 96.3 | 6.5 | 115.2 | 7.9 | 135.0 | 9.5 | 153.9 | 11.1 |
| | 90 | 67.9 | 4.9 | 82.5 | 6.0 | 96.3 | 7.1 | 115.2 | 8.7 | 135.0 | 10.4 | 153.9 | 12.1 |
| | 95 | 67.9 | 5.4 | 82.5 | 6.6 | 96.3 | 7.8 | 115.2 | 9.5 | 135.0 | 11.3 | 153.9 | 13.2 |
| 100 | 67.9 | 5.8 | 82.5 | 7.1 | 96.3 | 8.4 | 115.2 | 10.3 | 135.0 | 12.3 | 153.9 | 14.4 | |
| 105 | 67.9 | 6.3 | 82.5 | 7.7 | 96.3 | 9.1 | 115.2 | 11.1 | 135.0 | 13.3 | 153.9 | 15.5 | |
| 110 | 67.9 | 6.7 | 82.5 | 8.3 | 96.3 | 9.8 | 115.2 | 11.9 | 135.0 | 14.2 | 153.9 | 16.6 | |
| 115 | 67.9 | 7.1 | 82.5 | 8.7 | 96.3 | 10.3 | 115.2 | 12.6 | 135.0 | 15.1 | 153.9 | 17.6 | |
| 118 | 67.9 | 7.3 | 82.5 | 9.0 | 96.3 | 10.6 | 115.2 | 12.9 | 135.0 | 15.5 | 141.1 | 16.6 | |
| 125 | 67.9 | 7.6 | 82.5 | 9.4 | 87.8 | 10.1 | 91.2 | 10.7 | 93.9 | 11.2 | 95.7 | 11.7 | |

NOTE - Power Input = Compressor + Outdoor Fan Motor.
 MBH = 1000 BTUs per hour.

COOLING CAPACITY - SINGLE MODULE | VRB192H4

| Combination (%) | Outdoor Temperature °F (Dry Bulb) | Indoor Temperature - °F (Dry Bulb / Wet Bulb) | | | | | | | | | | | |
|-----------------|-----------------------------------|---|-------------|------------|-------------|------------|-------------|------------|-------------|------------|-------------|------------|-------------|
| | | 67 / 57 | | 71 / 60 | | 75 / 63 | | 80 / 67 | | 85 / 71 | | 90 / 75 | |
| | | Total Cap. | Power Input | Total Cap. | Power Input | Total Cap. | Power Input | Total Cap. | Power Input | Total Cap. | Power Input | Total Cap. | Power Input |
| | | MBH | kW | MBH | kW | MBH | kW | MBH | kW | MBH | kW | MBH | kW |
| 50% | -10 | 52.2 | 1.7 | 68.8 | 2.2 | 80.2 | 2.6 | 96.0 | 3.2 | 112.5 | 3.8 | 128.2 | 4.5 |
| | -5 | 56.6 | 1.9 | 68.8 | 2.4 | 80.2 | 2.8 | 96.0 | 3.4 | 112.5 | 4.1 | 128.2 | 4.7 |
| | 10 | 56.6 | 2.0 | 68.8 | 2.4 | 80.2 | 2.8 | 96.0 | 3.5 | 112.5 | 4.1 | 128.2 | 4.8 |
| | 15 | 56.6 | 2.0 | 68.8 | 2.5 | 80.2 | 2.9 | 96.0 | 3.5 | 112.5 | 4.2 | 128.2 | 4.9 |
| | 20 | 56.6 | 2.0 | 68.8 | 2.5 | 80.2 | 3.0 | 96.0 | 3.6 | 112.5 | 4.3 | 128.2 | 5.0 |
| | 25 | 56.6 | 2.1 | 68.8 | 2.6 | 80.2 | 3.0 | 96.0 | 3.7 | 112.5 | 4.4 | 128.2 | 5.2 |
| | 30 | 56.6 | 2.1 | 68.8 | 2.6 | 80.2 | 3.1 | 96.0 | 3.8 | 112.5 | 4.5 | 128.2 | 5.3 |
| | 35 | 56.6 | 2.2 | 68.8 | 2.7 | 80.2 | 3.2 | 96.0 | 3.9 | 112.5 | 4.6 | 128.2 | 5.4 |
| | 40 | 56.6 | 2.2 | 68.8 | 2.8 | 80.2 | 3.3 | 96.0 | 4.0 | 112.5 | 4.7 | 128.2 | 5.5 |
| | 45 | 56.6 | 2.3 | 68.8 | 2.8 | 80.2 | 3.3 | 96.0 | 4.1 | 112.5 | 4.9 | 128.2 | 5.7 |
| | 50 | 56.6 | 2.4 | 68.8 | 2.9 | 80.2 | 3.4 | 96.0 | 4.2 | 112.5 | 5.0 | 128.2 | 5.8 |
| | 55 | 56.6 | 2.4 | 68.8 | 3.0 | 80.2 | 3.5 | 96.0 | 4.3 | 112.5 | 5.1 | 128.2 | 6.0 |
| | 60 | 56.6 | 2.5 | 68.8 | 3.1 | 80.2 | 3.6 | 96.0 | 4.4 | 112.5 | 5.3 | 128.2 | 6.1 |
| | 65 | 56.6 | 2.6 | 68.8 | 3.1 | 80.2 | 3.7 | 96.0 | 4.5 | 112.5 | 5.4 | 128.2 | 6.3 |
| | 70 | 56.6 | 2.8 | 68.8 | 3.4 | 80.2 | 4.0 | 96.0 | 4.9 | 112.5 | 5.9 | 128.2 | 6.9 |
| | 75 | 56.6 | 3.0 | 68.8 | 3.7 | 80.2 | 4.4 | 96.0 | 5.4 | 112.5 | 6.5 | 128.2 | 7.5 |
| | 80 | 56.6 | 3.3 | 68.8 | 4.1 | 80.2 | 4.9 | 96.0 | 5.9 | 112.5 | 7.1 | 128.2 | 8.3 |
| | 85 | 56.6 | 3.7 | 68.8 | 4.5 | 80.2 | 5.3 | 96.0 | 6.5 | 112.5 | 7.8 | 128.2 | 9.1 |
| | 90 | 56.6 | 4.0 | 68.8 | 4.9 | 80.2 | 5.8 | 96.0 | 7.1 | 112.5 | 8.5 | 128.2 | 10.0 |
| | 95 | 56.6 | 4.4 | 68.8 | 5.4 | 80.2 | 6.4 | 96.0 | 7.8 | 112.5 | 9.3 | 128.2 | 10.9 |
| 100 | 56.6 | 4.8 | 68.8 | 5.9 | 80.2 | 6.9 | 96.0 | 8.5 | 112.5 | 10.1 | 128.2 | 11.8 | |
| 105 | 56.6 | 5.2 | 68.8 | 6.3 | 80.2 | 7.5 | 96.0 | 9.1 | 112.5 | 10.9 | 128.2 | 12.8 | |
| 110 | 56.6 | 5.5 | 68.8 | 6.8 | 80.2 | 8.0 | 96.0 | 9.8 | 112.5 | 11.7 | 128.2 | 13.7 | |
| 115 | 56.6 | 5.8 | 68.8 | 7.2 | 80.2 | 8.5 | 96.0 | 10.3 | 112.5 | 12.4 | 128.2 | 14.5 | |
| 118 | 56.6 | 6.0 | 68.8 | 7.4 | 80.2 | 8.7 | 96.0 | 10.6 | 112.5 | 12.7 | 128.2 | 14.9 | |
| 125 | 56.6 | 6.3 | 68.8 | 7.7 | 80.2 | 9.1 | 91.2 | 10.5 | 93.9 | 11.1 | 95.7 | 11.6 | |

NOTE - Power Input = Compressor + Outdoor Fan Motor.
 MBH = 1000 BTUs per hour.

HEATING CAPACITY - SINGLE MODULE | VRB192H4

| Combination (%) | Outdoor Temperature (°F) | | Indoor Temperature - °F Dry Bulb | | | | | | | | | | | | |
|-----------------|--------------------------|----------|----------------------------------|-------------|------------|-------------|------------|-------------|------------|-------------|------------|-------------|------------|-------------|--|
| | | | 61 | | 64 | | 67 | | 70 | | 73 | | 75 | | |
| | | | Total Cap. | Power Input | Total Cap. | Power Input | Total Cap. | Power Input | Total Cap. | Power Input | Total Cap. | Power Input | Total Cap. | Power Input | |
| | MBH | kW | MBH | kW | MBH | kW | MBH | kW | MBH | kW | MBH | kW | | | |
| 130% | Dry Bulb | Wet Bulb | | | | | | | | | | | | | |
| | | | | | | | | | | | | | | | |
| | | | | | | | | | | | | | | | |
| | | | | | | | | | | | | | | | |
| | | | | | | | | | | | | | | | |
| | | | | | | | | | | | | | | | |
| | | | | | | | | | | | | | | | |
| | | | | | | | | | | | | | | | |
| | | | | | | | | | | | | | | | |
| | | | | | | | | | | | | | | | |
| | | | | | | | | | | | | | | | |
| | | | | | | | | | | | | | | | |
| | | | | | | | | | | | | | | | |
| | | | | | | | | | | | | | | | |
| | | | | | | | | | | | | | | | |
| | | | | | | | | | | | | | | | |
| | | | | | | | | | | | | | | | |
| | 120% | | | | | | | | | | | | | | |
| | | | | | | | | | | | | | | | |
| | | | | | | | | | | | | | | | |
| | | | | | | | | | | | | | | | |
| | | | | | | | | | | | | | | | |
| | | | | | | | | | | | | | | | |
| | | | | | | | | | | | | | | | |
| | | | | | | | | | | | | | | | |
| | | | | | | | | | | | | | | | |
| | | | | | | | | | | | | | | | |
| | | | | | | | | | | | | | | | |
| | | | | | | | | | | | | | | | |
| | | | | | | | | | | | | | | | |
| | | | | | | | | | | | | | | | |
| | | | | | | | | | | | | | | | |
| | | | | | | | | | | | | | | | |
| | | | | | | | | | | | | | | | |
| | | | | | | | | | | | | | | | |
| 110% | | | | | | | | | | | | | | | |
| | | | | | | | | | | | | | | | |
| | | | | | | | | | | | | | | | |
| | | | | | | | | | | | | | | | |
| | | | | | | | | | | | | | | | |
| | | | | | | | | | | | | | | | |
| | | | | | | | | | | | | | | | |
| | | | | | | | | | | | | | | | |
| | | | | | | | | | | | | | | | |
| | | | | | | | | | | | | | | | |
| | | | | | | | | | | | | | | | |
| | | | | | | | | | | | | | | | |
| | | | | | | | | | | | | | | | |
| | | | | | | | | | | | | | | | |
| | | | | | | | | | | | | | | | |
| | | | | | | | | | | | | | | | |
| | | | | | | | | | | | | | | | |
| | | | | | | | | | | | | | | | |
| | | | | | | | | | | | | | | | |

NOTE - Power Input = Compressor + Outdoor Fan Motor.
 MBH = 1000 BTUs per hour.

COOLING CAPACITY - TWO MODULE | VRB216H4

| Combination (%) | Outdoor Temperature °F (Dry Bulb) | Indoor Temperature - °F (Dry Bulb / Wet Bulb) | | | | | | | | | | | |
|-----------------|-----------------------------------|---|-------------|------------|-------------|------------|-------------|------------|-------------|------------|-------------|------------|-------------|
| | | 67 / 57 | | 71 / 60 | | 75 / 63 | | 80 / 67 | | 85 / 71 | | 90 / 75 | |
| | | Total Cap. | Power Input | Total Cap. | Power Input | Total Cap. | Power Input | Total Cap. | Power Input | Total Cap. | Power Input | Total Cap. | Power Input |
| | | MBH | kW | MBH | kW | MBH | kW | MBH | kW | MBH | kW | MBH | kW |
| 130% | -10 | 165.5 | 5.5 | 201.2 | 6.7 | 234.7 | 7.9 | 280.8 | 9.7 | 329.0 | 11.6 | 367.6 | 13.3 |
| | -5 | 165.5 | 5.8 | 201.2 | 7.1 | 234.7 | 8.4 | 280.8 | 10.3 | 329.0 | 12.3 | 349.5 | 13.4 |
| | 10 | 165.5 | 5.9 | 201.2 | 7.3 | 234.7 | 8.6 | 280.8 | 10.5 | 329.0 | 12.6 | 343.1 | 13.4 |
| | 15 | 165.5 | 6.1 | 201.2 | 7.5 | 234.7 | 8.8 | 280.8 | 10.7 | 326.4 | 12.8 | 336.0 | 13.4 |
| | 20 | 165.5 | 6.2 | 201.2 | 7.6 | 234.7 | 9.0 | 280.8 | 11.0 | 322.2 | 12.9 | 328.9 | 13.4 |
| | 25 | 165.5 | 6.3 | 201.2 | 7.8 | 234.7 | 9.2 | 280.8 | 11.2 | 317.9 | 13.0 | 321.5 | 13.4 |
| | 30 | 165.5 | 6.5 | 201.2 | 8.0 | 234.7 | 9.4 | 280.8 | 11.5 | 310.1 | 12.9 | 314.4 | 13.4 |
| | 35 | 165.5 | 6.7 | 201.2 | 8.2 | 234.7 | 9.7 | 280.8 | 11.8 | 303.5 | 13.0 | 307.8 | 13.5 |
| | 40 | 165.5 | 6.8 | 201.2 | 8.4 | 234.7 | 9.9 | 280.8 | 12.1 | 299.5 | 13.1 | 303.8 | 13.6 |
| | 45 | 165.5 | 7.0 | 201.2 | 8.6 | 234.7 | 10.1 | 280.8 | 12.4 | 298.3 | 13.4 | 302.6 | 13.9 |
| | 50 | 165.5 | 7.2 | 201.2 | 8.8 | 234.7 | 10.4 | 280.8 | 12.7 | 297.5 | 13.7 | 301.8 | 14.2 |
| | 55 | 165.5 | 7.4 | 201.2 | 9.0 | 234.7 | 10.7 | 280.8 | 13.0 | 297.1 | 14.0 | 301.4 | 14.6 |
| | 60 | 165.5 | 7.6 | 201.2 | 9.3 | 234.7 | 11.0 | 280.8 | 13.4 | 298.0 | 14.4 | 301.1 | 15.0 |
| | 65 | 165.5 | 7.8 | 201.2 | 9.5 | 234.7 | 11.3 | 280.8 | 13.7 | 295.2 | 14.7 | 300.8 | 15.4 |
| | 70 | 165.5 | 8.4 | 201.2 | 10.4 | 234.7 | 12.3 | 280.8 | 14.9 | 294.6 | 16.0 | 300.2 | 16.7 |
| | 75 | 165.5 | 9.3 | 201.2 | 11.4 | 234.7 | 13.5 | 277.8 | 16.2 | 293.3 | 17.4 | 299.0 | 18.2 |
| | 80 | 165.5 | 10.2 | 201.2 | 12.5 | 234.7 | 14.8 | 276.3 | 17.7 | 291.0 | 19.0 | 296.6 | 19.8 |
| | 85 | 165.5 | 11.2 | 201.2 | 13.7 | 234.7 | 16.2 | 274.0 | 19.2 | 287.1 | 20.6 | 292.6 | 21.5 |
| | 90 | 165.5 | 12.2 | 201.2 | 15.0 | 234.7 | 17.8 | 270.5 | 20.8 | 281.2 | 22.1 | 286.6 | 23.0 |
| | 95 | 165.5 | 13.4 | 201.2 | 16.4 | 234.7 | 19.4 | 253.4 | 21.2 | 257.7 | 22.1 | 262.0 | 23.0 |
| 100 | 165.5 | 14.5 | 201.2 | 17.9 | 228.4 | 20.5 | 241.5 | 22.0 | 245.8 | 22.9 | 250.5 | 23.9 | |
| 105 | 165.5 | 15.7 | 201.2 | 19.3 | 219.1 | 21.1 | 224.0 | 22.0 | 230.6 | 23.2 | 235.1 | 24.2 | |
| 110 | 165.5 | 16.8 | 189.8 | 19.4 | 197.2 | 20.4 | 204.8 | 21.5 | 210.9 | 22.7 | 214.9 | 23.7 | |
| 115 | 158.3 | 16.9 | 167.9 | 18.1 | 173.7 | 19.0 | 180.4 | 20.1 | 185.7 | 21.1 | 189.3 | 22.0 | |
| 118 | 145.0 | 15.9 | 151.3 | 16.8 | 156.6 | 17.6 | 162.6 | 18.6 | 167.5 | 19.6 | 170.7 | 20.4 | |
| 125 | 100.2 | 11.4 | 104.6 | 12.1 | 108.2 | 12.7 | 112.4 | 13.4 | 115.8 | 14.1 | 118.0 | 14.7 | |
| 120% | -10 | 152.8 | 5.0 | 185.7 | 6.1 | 216.6 | 7.2 | 259.2 | 8.8 | 303.7 | 10.5 | 346.2 | 12.3 |
| | -5 | 152.8 | 5.3 | 185.7 | 6.5 | 216.6 | 7.7 | 259.2 | 9.4 | 303.7 | 11.2 | 341.1 | 12.9 |
| | 10 | 152.8 | 5.4 | 185.7 | 6.6 | 216.6 | 7.8 | 259.2 | 9.6 | 303.7 | 11.4 | 337.3 | 13.0 |
| | 15 | 152.8 | 5.5 | 185.7 | 6.8 | 216.6 | 8.0 | 259.2 | 9.8 | 303.7 | 11.7 | 330.2 | 13.0 |
| | 20 | 152.8 | 5.6 | 185.7 | 6.9 | 216.6 | 8.2 | 259.2 | 10.0 | 303.7 | 11.9 | 323.1 | 13.0 |
| | 25 | 152.8 | 5.8 | 185.7 | 7.1 | 216.6 | 8.4 | 259.2 | 10.2 | 303.7 | 12.2 | 315.8 | 13.0 |
| | 30 | 152.8 | 5.9 | 185.7 | 7.3 | 216.6 | 8.6 | 259.2 | 10.4 | 299.5 | 12.3 | 308.8 | 13.0 |
| | 35 | 152.8 | 6.0 | 185.7 | 7.4 | 216.6 | 8.8 | 259.2 | 10.7 | 295.6 | 12.4 | 302.2 | 13.0 |
| | 40 | 152.8 | 6.2 | 185.7 | 7.6 | 216.6 | 9.0 | 259.2 | 11.0 | 293.0 | 12.6 | 298.1 | 13.2 |
| | 45 | 152.8 | 6.3 | 185.7 | 7.8 | 216.6 | 9.2 | 259.2 | 11.2 | 292.0 | 12.9 | 296.9 | 13.4 |
| | 50 | 152.8 | 6.5 | 185.7 | 8.0 | 216.6 | 9.5 | 259.2 | 11.5 | 291.2 | 13.2 | 296.1 | 13.7 |
| | 55 | 152.8 | 6.7 | 185.7 | 8.2 | 216.6 | 9.7 | 259.2 | 11.8 | 290.6 | 13.5 | 295.7 | 14.1 |
| | 60 | 152.8 | 6.9 | 185.7 | 8.4 | 216.6 | 10.0 | 259.2 | 12.1 | 290.7 | 13.9 | 295.4 | 14.4 |
| | 65 | 152.8 | 7.1 | 185.7 | 8.7 | 216.6 | 10.2 | 259.2 | 12.5 | 289.1 | 14.2 | 295.2 | 14.8 |
| | 70 | 152.8 | 7.7 | 185.7 | 9.4 | 216.6 | 11.1 | 259.2 | 13.6 | 288.4 | 15.4 | 294.6 | 16.1 |
| | 75 | 152.8 | 8.4 | 185.7 | 10.4 | 216.6 | 12.2 | 259.2 | 14.9 | 287.5 | 16.8 | 293.3 | 17.6 |
| | 80 | 152.8 | 9.3 | 185.7 | 11.4 | 216.6 | 13.4 | 259.2 | 16.4 | 285.5 | 18.4 | 291.0 | 19.2 |
| | 85 | 152.8 | 10.2 | 185.7 | 12.5 | 216.6 | 14.7 | 259.2 | 18.0 | 281.7 | 19.9 | 287.1 | 20.7 |
| | 90 | 152.8 | 11.1 | 185.7 | 13.7 | 216.6 | 16.1 | 259.2 | 19.7 | 275.9 | 21.3 | 281.2 | 22.2 |
| | 95 | 152.8 | 12.1 | 185.7 | 14.9 | 216.6 | 17.6 | 248.2 | 20.5 | 257.7 | 21.7 | 262.0 | 22.6 |
| 100 | 152.8 | 13.2 | 185.7 | 16.2 | 216.6 | 19.2 | 241.7 | 21.7 | 245.8 | 22.5 | 250.5 | 23.5 | |
| 105 | 152.8 | 14.3 | 185.7 | 17.5 | 211.0 | 20.1 | 224.0 | 21.7 | 230.6 | 22.8 | 235.1 | 23.8 | |
| 110 | 152.8 | 15.3 | 182.9 | 18.5 | 197.2 | 20.0 | 204.8 | 21.2 | 210.9 | 22.3 | 214.9 | 23.3 | |
| 115 | 152.8 | 16.1 | 167.9 | 17.8 | 173.7 | 18.7 | 180.4 | 19.8 | 185.7 | 20.8 | 189.3 | 21.7 | |
| 118 | 142.8 | 15.4 | 151.3 | 16.5 | 156.6 | 17.3 | 162.6 | 18.3 | 167.5 | 19.3 | 170.7 | 20.1 | |
| 125 | 100.2 | 11.3 | 104.6 | 11.9 | 108.2 | 12.5 | 112.4 | 13.2 | 115.8 | 13.9 | 118.0 | 14.5 | |

NOTE - Power Input = Compressor + Outdoor Fan Motor.
 MBH = 1000 BTUs per hour.

COOLING CAPACITY - TWO MODULE | VRB216H4

| Combination (%) | Outdoor Temperature °F (Dry Bulb) | Indoor Temperature - °F (Dry Bulb / Wet Bulb) | | | | | | | | | | | |
|-----------------|-----------------------------------|---|-------------|------------|-------------|------------|-------------|--------------|-------------|------------|-------------|------------|-------------|
| | | 67 / 57 | | 71 / 60 | | 75 / 63 | | 80 / 67 | | 85 / 71 | | 90 / 75 | |
| | | Total Cap. | Power Input | Total Cap. | Power Input | Total Cap. | Power Input | Total Cap. | Power Input | Total Cap. | Power Input | Total Cap. | Power Input |
| | | MBH | KW | MBH | KW | MBH | KW | MBH | KW | MBH | KW | MBH | KW |
| 110% | -10 | 140.1 | 4.5 | 170.2 | 5.5 | 198.6 | 6.5 | 237.6 | 7.9 | 278.4 | 9.5 | 317.4 | 11.1 |
| | -5 | 140.1 | 4.8 | 170.2 | 5.9 | 198.6 | 6.9 | 237.6 | 8.4 | 278.4 | 10.1 | 317.4 | 11.8 |
| | 10 | 140.1 | 4.9 | 170.2 | 6.0 | 198.6 | 7.1 | 237.6 | 8.6 | 278.4 | 10.3 | 317.4 | 12.1 |
| | 15 | 140.1 | 5.0 | 170.2 | 6.1 | 198.6 | 7.2 | 237.6 | 8.8 | 278.4 | 10.6 | 317.3 | 12.3 |
| | 20 | 140.1 | 5.1 | 170.2 | 6.3 | 198.6 | 7.4 | 237.6 | 9.0 | 278.4 | 10.8 | 313.2 | 12.4 |
| | 25 | 140.1 | 5.2 | 170.2 | 6.4 | 198.6 | 7.6 | 237.6 | 9.2 | 278.4 | 11.0 | 309.0 | 12.5 |
| | 30 | 140.1 | 5.3 | 170.2 | 6.5 | 198.6 | 7.7 | 237.6 | 9.4 | 278.4 | 11.3 | 303.1 | 12.6 |
| | 35 | 140.1 | 5.5 | 170.2 | 6.7 | 198.6 | 7.9 | 237.6 | 9.7 | 278.4 | 11.6 | 296.5 | 12.6 |
| | 40 | 140.1 | 5.6 | 170.2 | 6.9 | 198.6 | 8.1 | 237.6 | 9.9 | 278.4 | 11.8 | 292.4 | 12.7 |
| | 45 | 140.1 | 5.7 | 170.2 | 7.0 | 198.6 | 8.3 | 237.6 | 10.1 | 278.4 | 12.1 | 291.2 | 13.0 |
| | 50 | 140.1 | 5.9 | 170.2 | 7.2 | 198.6 | 8.5 | 237.6 | 10.4 | 278.4 | 12.5 | 290.4 | 13.3 |
| | 55 | 140.1 | 6.0 | 170.2 | 7.4 | 198.6 | 8.8 | 237.6 | 10.7 | 278.4 | 12.8 | 290.0 | 13.6 |
| | 60 | 140.1 | 6.2 | 170.2 | 7.6 | 198.6 | 9.0 | 237.6 | 11.0 | 276.3 | 13.0 | 289.8 | 13.9 |
| | 65 | 140.1 | 6.4 | 170.2 | 7.8 | 198.6 | 9.2 | 237.6 | 11.3 | 274.9 | 13.3 | 289.5 | 14.3 |
| | 70 | 140.1 | 6.9 | 170.2 | 8.5 | 198.6 | 10.1 | 237.6 | 12.3 | 274.2 | 14.5 | 288.9 | 15.5 |
| | 75 | 140.1 | 7.6 | 170.2 | 9.3 | 198.6 | 11.0 | 237.6 | 13.5 | 273.3 | 15.8 | 287.7 | 17.0 |
| | 80 | 140.1 | 8.4 | 170.2 | 10.3 | 198.6 | 12.1 | 237.6 | 14.8 | 271.8 | 17.2 | 285.4 | 18.5 |
| | 85 | 140.1 | 9.2 | 170.2 | 11.3 | 198.6 | 13.3 | 237.6 | 16.2 | 269.6 | 18.8 | 281.6 | 20.0 |
| | 90 | 140.1 | 10.0 | 170.2 | 12.3 | 198.6 | 14.6 | 237.6 | 17.8 | 266.3 | 20.3 | 275.8 | 21.5 |
| | 95 | 140.1 | 11.0 | 170.2 | 13.5 | 198.6 | 15.9 | 237.6 | 19.4 | 259.1 | 21.5 | 262.0 | 22.3 |
| 100 | 140.1 | 11.9 | 170.2 | 14.7 | 198.6 | 17.3 | 234.1 | 20.8 | 245.8 | 22.2 | 250.5 | 23.2 | |
| 105 | 140.1 | 12.9 | 170.2 | 15.8 | 198.6 | 18.7 | 222.8 | 21.2 | 230.6 | 22.5 | 235.1 | 23.5 | |
| 110 | 140.1 | 13.8 | 170.2 | 16.9 | 191.1 | 19.2 | 204.8 | 20.9 | 210.9 | 22.0 | 214.9 | 23.0 | |
| 115 | 140.1 | 14.6 | 162.7 | 17.1 | 173.7 | 18.4 | 180.4 | 19.5 | 185.7 | 20.5 | 189.3 | 21.4 | |
| 118 | 137.1 | 14.6 | 151.3 | 16.3 | 156.6 | 17.0 | 162.6 | 18.0 | 167.5 | 19.0 | 170.7 | 19.8 | |
| 125 | 100.2 | 11.1 | 104.6 | 11.7 | 108.2 | 12.3 | 112.4 | 13.0 | 115.8 | 13.7 | 118.0 | 14.3 | |
| 100% | -10 | 127.3 | 4.0 | 154.7 | 4.9 | 180.5 | 5.8 | 216.0 | 7.1 | 253.1 | 8.5 | 288.5 | 9.9 |
| | -5 | 127.3 | 4.3 | 154.7 | 5.3 | 180.5 | 6.2 | 216.0 | 7.6 | 253.1 | 9.1 | 288.5 | 10.6 |
| | 10 | 127.3 | 4.4 | 154.7 | 5.4 | 180.5 | 6.3 | 216.0 | 7.7 | 253.1 | 9.2 | 288.5 | 10.8 |
| | 15 | 127.3 | 4.5 | 154.7 | 5.5 | 180.5 | 6.5 | 216.0 | 7.9 | 253.1 | 9.5 | 288.5 | 11.0 |
| | 20 | 127.3 | 4.6 | 154.7 | 5.6 | 180.5 | 6.6 | 216.0 | 8.1 | 253.1 | 9.7 | 288.4 | 11.3 |
| | 25 | 127.3 | 4.7 | 154.7 | 5.7 | 180.5 | 6.8 | 216.0 | 8.2 | 253.1 | 9.9 | 286.7 | 11.5 |
| | 30 | 127.3 | 4.8 | 154.7 | 5.9 | 180.5 | 6.9 | 216.0 | 8.4 | 253.1 | 10.1 | 285.1 | 11.7 |
| | 35 | 127.3 | 4.9 | 154.7 | 6.0 | 180.5 | 7.1 | 216.0 | 8.6 | 253.1 | 10.4 | 283.7 | 11.9 |
| | 40 | 127.3 | 5.0 | 154.7 | 6.2 | 180.5 | 7.3 | 216.0 | 8.9 | 253.1 | 10.6 | 282.5 | 12.1 |
| | 45 | 127.3 | 5.1 | 154.7 | 6.3 | 180.5 | 7.4 | 216.0 | 9.1 | 253.1 | 10.9 | 281.5 | 12.4 |
| | 50 | 127.3 | 5.3 | 154.7 | 6.5 | 180.5 | 7.6 | 216.0 | 9.3 | 253.1 | 11.2 | 280.8 | 12.6 |
| | 55 | 127.3 | 5.4 | 154.7 | 6.6 | 180.5 | 7.8 | 216.0 | 9.6 | 253.1 | 11.4 | 280.2 | 13.0 |
| | 60 | 127.3 | 5.5 | 154.7 | 6.8 | 180.5 | 8.1 | 216.0 | 9.8 | 253.1 | 11.8 | 279.7 | 13.3 |
| | 65 | 127.3 | 5.7 | 154.7 | 7.0 | 180.5 | 8.3 | 216.0 | 10.1 | 253.1 | 12.1 | 279.3 | 13.6 |
| | 70 | 127.3 | 6.2 | 154.7 | 7.6 | 180.5 | 9.0 | 216.0 | 11.0 | 253.1 | 13.1 | 278.6 | 14.8 |
| | 75 | 127.3 | 6.8 | 154.7 | 8.4 | 180.5 | 9.9 | 216.0 | 12.0 | 253.1 | 14.4 | 277.7 | 16.2 |
| | 80 | 127.3 | 7.5 | 154.7 | 9.2 | 180.5 | 10.9 | 216.0 | 13.2 | 253.1 | 15.8 | 276.2 | 17.7 |
| | 85 | 127.3 | 8.2 | 154.7 | 10.1 | 180.5 | 11.9 | 216.0 | 14.5 | 253.1 | 17.4 | 274.0 | 19.2 |
| | 90 | 127.3 | 9.0 | 154.7 | 11.1 | 180.5 | 13.0 | 216.0 | 15.9 | 252.2 | 19.0 | 270.3 | 20.7 |
| | 95 | 127.3 | 9.8 | 154.7 | 12.1 | 180.5 | 14.3 | 216.0 | 17.4 | 247.6 | 20.3 | 262.0 | 22.0 |
| 100 | 127.3 | 10.7 | 154.7 | 13.1 | 180.5 | 15.5 | 216.0 | 18.9 | 241.4 | 21.5 | 250.5 | 22.8 | |
| 105 | 127.3 | 11.5 | 154.7 | 14.2 | 180.5 | 16.7 | 213.2 | 20.1 | 230.6 | 22.1 | 235.1 | 23.1 | |
| 110 | 127.3 | 12.3 | 154.7 | 15.2 | 180.5 | 17.9 | 202.8 | 20.4 | 210.9 | 21.7 | 214.9 | 22.6 | |
| 115 | 127.3 | 13.0 | 154.7 | 16.0 | 170.3 | 17.8 | 180.4 | 19.2 | 185.7 | 20.2 | 189.3 | 21.1 | |
| 118 | 127.3 | 13.4 | 147.0 | 15.6 | 156.6 | 16.8 | 162.6 | 17.8 | 167.5 | 18.7 | 170.7 | 19.5 | |
| 125 | 100.2 | 10.9 | 104.6 | 11.5 | 108.2 | 12.1 | 112.4 | 12.8 | 115.8 | 13.5 | 118.0 | 14.0 | |

NOTE - Power Input = Compressor + Outdoor Fan Motor.
MBH = 1000 BTUs per hour.

COOLING CAPACITY - TWO MODULE | VRB216H4

| Combination (%) | Outdoor Temperature °F (Dry Bulb) | Indoor Temperature - °F (Dry Bulb / Wet Bulb) | | | | | | | | | | | |
|-----------------|-----------------------------------|---|-------------|------------|-------------|------------|-------------|------------|-------------|------------|-------------|------------|-------------|
| | | 67 / 57 | | 71 / 60 | | 75 / 63 | | 80 / 67 | | 85 / 71 | | 90 / 75 | |
| | | Total Cap. | Power Input | Total Cap. | Power Input | Total Cap. | Power Input | Total Cap. | Power Input | Total Cap. | Power Input | Total Cap. | Power Input |
| | | MBH | kW | MBH | kW | MBH | kW | MBH | kW | MBH | kW | MBH | kW |
| 90% | -10 | 114.6 | 3.6 | 139.3 | 4.4 | 162.5 | 5.2 | 194.4 | 6.3 | 227.8 | 7.6 | 259.7 | 8.8 |
| | -5 | 114.6 | 3.8 | 139.3 | 4.7 | 162.5 | 5.5 | 194.4 | 6.7 | 227.8 | 8.0 | 259.7 | 9.4 |
| | 10 | 114.6 | 3.9 | 139.3 | 4.8 | 162.5 | 5.6 | 194.4 | 6.8 | 227.8 | 8.2 | 259.7 | 9.6 |
| | 15 | 114.6 | 4.0 | 139.3 | 4.9 | 162.5 | 5.7 | 194.4 | 7.0 | 227.8 | 8.4 | 259.7 | 9.8 |
| | 20 | 114.6 | 4.0 | 139.3 | 5.0 | 162.5 | 5.9 | 194.4 | 7.1 | 227.8 | 8.6 | 259.7 | 10.0 |
| | 25 | 114.6 | 4.1 | 139.3 | 5.1 | 162.5 | 6.0 | 194.4 | 7.3 | 227.8 | 8.8 | 259.7 | 10.2 |
| | 30 | 114.6 | 4.2 | 139.3 | 5.2 | 162.5 | 6.1 | 194.4 | 7.5 | 227.8 | 9.0 | 259.7 | 10.5 |
| | 35 | 114.6 | 4.3 | 139.3 | 5.3 | 162.5 | 6.3 | 194.4 | 7.7 | 227.8 | 9.2 | 259.7 | 10.7 |
| | 40 | 114.6 | 4.4 | 139.3 | 5.5 | 162.5 | 6.4 | 194.4 | 7.9 | 227.8 | 9.4 | 259.7 | 11.0 |
| | 45 | 114.6 | 4.5 | 139.3 | 5.6 | 162.5 | 6.6 | 194.4 | 8.0 | 227.8 | 9.6 | 259.7 | 11.3 |
| | 50 | 114.6 | 4.7 | 139.3 | 5.7 | 162.5 | 6.8 | 194.4 | 8.3 | 227.8 | 9.9 | 259.7 | 11.5 |
| | 55 | 114.6 | 4.8 | 139.3 | 5.9 | 162.5 | 7.0 | 194.4 | 8.5 | 227.8 | 10.2 | 259.7 | 11.9 |
| | 60 | 114.6 | 4.9 | 139.3 | 6.0 | 162.5 | 7.1 | 194.4 | 8.7 | 227.8 | 10.4 | 259.7 | 12.2 |
| | 65 | 114.6 | 5.1 | 139.3 | 6.2 | 162.5 | 7.3 | 194.4 | 8.9 | 227.8 | 10.7 | 259.7 | 12.5 |
| | 70 | 114.6 | 5.5 | 139.3 | 6.8 | 162.5 | 8.0 | 194.4 | 9.7 | 227.8 | 11.7 | 259.7 | 13.6 |
| | 75 | 114.6 | 6.0 | 139.3 | 7.4 | 162.5 | 8.8 | 194.4 | 10.7 | 227.8 | 12.8 | 259.7 | 14.9 |
| | 80 | 114.6 | 6.6 | 139.3 | 8.2 | 162.5 | 9.6 | 194.4 | 11.7 | 227.8 | 14.1 | 259.7 | 16.4 |
| | 85 | 114.6 | 7.3 | 139.3 | 8.9 | 162.5 | 10.6 | 194.4 | 12.9 | 227.8 | 15.4 | 258.2 | 17.9 |
| | 90 | 114.6 | 8.0 | 139.3 | 9.8 | 162.5 | 11.6 | 194.4 | 14.1 | 227.8 | 16.9 | 255.0 | 19.3 |
| | 95 | 114.6 | 8.7 | 139.3 | 10.7 | 162.5 | 12.6 | 194.4 | 15.4 | 227.8 | 18.4 | 253.2 | 21.0 |
| 100 | 114.6 | 9.5 | 139.3 | 11.6 | 162.5 | 13.7 | 194.4 | 16.7 | 227.6 | 20.0 | 246.8 | 22.2 | |
| 105 | 114.6 | 10.2 | 139.3 | 12.6 | 162.5 | 14.8 | 194.4 | 18.1 | 221.9 | 21.1 | 235.1 | 22.8 | |
| 110 | 114.6 | 10.9 | 139.3 | 13.4 | 162.5 | 15.9 | 193.2 | 19.2 | 210.9 | 21.3 | 214.9 | 22.3 | |
| 115 | 114.6 | 11.6 | 139.3 | 14.2 | 162.3 | 16.8 | 180.0 | 18.8 | 185.7 | 19.9 | 189.3 | 20.7 | |
| 118 | 114.6 | 11.9 | 139.3 | 14.6 | 153.1 | 16.2 | 162.6 | 17.5 | 167.5 | 18.4 | 170.7 | 19.2 | |
| 125 | 100.2 | 10.8 | 104.6 | 11.4 | 108.2 | 11.9 | 112.4 | 12.6 | 115.8 | 13.3 | 118.0 | 13.8 | |
| 80% | -10 | 101.9 | 3.1 | 123.8 | 3.8 | 144.4 | 4.5 | 172.8 | 5.5 | 202.5 | 6.6 | 230.8 | 7.7 |
| | -5 | 101.9 | 3.3 | 123.8 | 4.1 | 144.4 | 4.8 | 172.8 | 5.9 | 202.5 | 7.0 | 230.8 | 8.2 |
| | 10 | 101.9 | 3.4 | 123.8 | 4.2 | 144.4 | 4.9 | 172.8 | 6.0 | 202.5 | 7.2 | 230.8 | 8.4 |
| | 15 | 101.9 | 3.5 | 123.8 | 4.3 | 144.4 | 5.0 | 172.8 | 6.1 | 202.5 | 7.3 | 230.8 | 8.6 |
| | 20 | 101.9 | 3.5 | 123.8 | 4.4 | 144.4 | 5.1 | 172.8 | 6.3 | 202.5 | 7.5 | 230.8 | 8.8 |
| | 25 | 101.9 | 3.6 | 123.8 | 4.5 | 144.4 | 5.3 | 172.8 | 6.4 | 202.5 | 7.7 | 230.8 | 9.0 |
| | 30 | 101.9 | 3.7 | 123.8 | 4.6 | 144.4 | 5.4 | 172.8 | 6.6 | 202.5 | 7.9 | 230.8 | 9.2 |
| | 35 | 101.9 | 3.8 | 123.8 | 4.7 | 144.4 | 5.5 | 172.8 | 6.7 | 202.5 | 8.0 | 230.8 | 9.4 |
| | 40 | 101.9 | 3.9 | 123.8 | 4.8 | 144.4 | 5.6 | 172.8 | 6.9 | 202.5 | 8.2 | 230.8 | 9.6 |
| | 45 | 101.9 | 4.0 | 123.8 | 4.9 | 144.4 | 5.8 | 172.8 | 7.1 | 202.5 | 8.4 | 230.8 | 9.9 |
| | 50 | 101.9 | 4.1 | 123.8 | 5.0 | 144.4 | 5.9 | 172.8 | 7.2 | 202.5 | 8.7 | 230.8 | 10.1 |
| | 55 | 101.9 | 4.2 | 123.8 | 5.2 | 144.4 | 6.1 | 172.8 | 7.4 | 202.5 | 8.9 | 230.8 | 10.4 |
| | 60 | 101.9 | 4.3 | 123.8 | 5.3 | 144.4 | 6.3 | 172.8 | 7.6 | 202.5 | 9.1 | 230.8 | 10.7 |
| | 65 | 101.9 | 4.4 | 123.8 | 5.4 | 144.4 | 6.4 | 172.8 | 7.8 | 202.5 | 9.4 | 230.8 | 11.0 |
| | 70 | 101.9 | 4.8 | 123.8 | 5.9 | 144.4 | 7.0 | 172.8 | 8.5 | 202.5 | 10.2 | 230.8 | 11.9 |
| | 75 | 101.9 | 5.3 | 123.8 | 6.5 | 144.4 | 7.7 | 172.8 | 9.4 | 202.5 | 11.2 | 230.8 | 13.1 |
| | 80 | 101.9 | 5.8 | 123.8 | 7.1 | 144.4 | 8.4 | 172.8 | 10.3 | 202.5 | 12.3 | 230.8 | 14.4 |
| | 85 | 101.9 | 6.4 | 123.8 | 7.8 | 144.4 | 9.3 | 172.8 | 11.3 | 202.5 | 13.5 | 230.8 | 15.8 |
| | 90 | 101.9 | 7.0 | 123.8 | 8.6 | 144.4 | 10.1 | 172.8 | 12.4 | 202.5 | 14.8 | 230.8 | 17.3 |
| | 95 | 101.9 | 7.6 | 123.8 | 9.4 | 144.4 | 11.1 | 172.8 | 13.5 | 202.5 | 16.2 | 230.8 | 18.9 |
| 100 | 101.9 | 8.3 | 123.8 | 10.2 | 144.4 | 12.0 | 172.8 | 14.7 | 202.5 | 17.6 | 230.8 | 20.5 | |
| 105 | 101.9 | 9.0 | 123.8 | 11.0 | 144.4 | 13.0 | 172.8 | 15.8 | 202.5 | 19.0 | 225.5 | 21.6 | |
| 110 | 101.9 | 9.6 | 123.8 | 11.8 | 144.4 | 13.9 | 172.8 | 16.9 | 199.9 | 20.0 | 214.6 | 21.9 | |
| 115 | 101.9 | 10.1 | 123.8 | 12.5 | 144.4 | 14.7 | 170.4 | 17.7 | 185.7 | 19.6 | 189.3 | 20.4 | |
| 118 | 101.9 | 10.4 | 123.8 | 12.8 | 144.4 | 15.1 | 160.8 | 17.1 | 167.5 | 18.1 | 170.7 | 18.9 | |
| 125 | 96.1 | 10.2 | 104.6 | 11.2 | 108.2 | 11.7 | 112.4 | 12.4 | 115.8 | 13.1 | 118.0 | 13.6 | |

NOTE - Power Input = Compressor + Outdoor Fan Motor.
 MBH = 1000 BTUs per hour.

COOLING CAPACITY - TWO MODULE | VRB216H4

| Combination (%) | Outdoor Temperature °F (Dry Bulb) | Indoor Temperature - °F (Dry Bulb / Wet Bulb) | | | | | | | | | | | |
|-----------------|-----------------------------------|---|-------------|------------|-------------|------------|-------------|------------|-------------|------------|-------------|------------|-------------|
| | | 67 / 57 | | 71 / 60 | | 75 / 63 | | 80 / 67 | | 85 / 71 | | 90 / 75 | |
| | | Total Cap. | Power Input | Total Cap. | Power Input | Total Cap. | Power Input | Total Cap. | Power Input | Total Cap. | Power Input | Total Cap. | Power Input |
| | | MBH | KW | MBH | KW | MBH | KW | MBH | KW | MBH | KW | MBH | KW |
| 70% | -10 | 89.1 | 2.7 | 108.3 | 3.3 | 126.4 | 3.9 | 151.2 | 4.8 | 177.2 | 5.7 | 202.0 | 6.7 |
| | -5 | 89.1 | 2.9 | 108.3 | 3.5 | 126.4 | 4.2 | 151.2 | 5.1 | 177.2 | 6.1 | 202.0 | 7.1 |
| | 10 | 89.1 | 2.9 | 108.3 | 3.6 | 126.4 | 4.2 | 151.2 | 5.2 | 177.2 | 6.2 | 202.0 | 7.2 |
| | 15 | 89.1 | 3.0 | 108.3 | 3.7 | 126.4 | 4.3 | 151.2 | 5.3 | 177.2 | 6.3 | 202.0 | 7.4 |
| | 20 | 89.1 | 3.1 | 108.3 | 3.8 | 126.4 | 4.4 | 151.2 | 5.4 | 177.2 | 6.5 | 202.0 | 7.6 |
| | 25 | 89.1 | 3.1 | 108.3 | 3.8 | 126.4 | 4.5 | 151.2 | 5.5 | 177.2 | 6.6 | 202.0 | 7.7 |
| | 30 | 89.1 | 3.2 | 108.3 | 3.9 | 126.4 | 4.6 | 151.2 | 5.7 | 177.2 | 6.8 | 202.0 | 7.9 |
| | 35 | 89.1 | 3.3 | 108.3 | 4.0 | 126.4 | 4.7 | 151.2 | 5.8 | 177.2 | 6.9 | 202.0 | 8.1 |
| | 40 | 89.1 | 3.4 | 108.3 | 4.1 | 126.4 | 4.9 | 151.2 | 5.9 | 177.2 | 7.1 | 202.0 | 8.3 |
| | 45 | 89.1 | 3.4 | 108.3 | 4.2 | 126.4 | 5.0 | 151.2 | 6.1 | 177.2 | 7.3 | 202.0 | 8.5 |
| | 50 | 89.1 | 3.5 | 108.3 | 4.3 | 126.4 | 5.1 | 151.2 | 6.2 | 177.2 | 7.5 | 202.0 | 8.7 |
| | 55 | 89.1 | 3.6 | 108.3 | 4.4 | 126.4 | 5.3 | 151.2 | 6.4 | 177.2 | 7.7 | 202.0 | 9.0 |
| | 60 | 89.1 | 3.7 | 108.3 | 4.6 | 126.4 | 5.4 | 151.2 | 6.6 | 177.2 | 7.9 | 202.0 | 9.2 |
| | 65 | 89.1 | 3.8 | 108.3 | 4.7 | 126.4 | 5.5 | 151.2 | 6.8 | 177.2 | 8.1 | 202.0 | 9.5 |
| | 70 | 89.1 | 4.2 | 108.3 | 5.1 | 126.4 | 6.0 | 151.2 | 7.4 | 177.2 | 8.8 | 202.0 | 10.3 |
| | 75 | 89.1 | 4.6 | 108.3 | 5.6 | 126.4 | 6.6 | 151.2 | 8.1 | 177.2 | 9.7 | 202.0 | 11.3 |
| | 80 | 89.1 | 5.0 | 108.3 | 6.2 | 126.4 | 7.3 | 151.2 | 8.9 | 177.2 | 10.6 | 202.0 | 12.4 |
| | 85 | 89.1 | 5.5 | 108.3 | 6.8 | 126.4 | 8.0 | 151.2 | 9.7 | 177.2 | 11.6 | 202.0 | 13.6 |
| | 90 | 89.1 | 6.0 | 108.3 | 7.4 | 126.4 | 8.7 | 151.2 | 10.7 | 177.2 | 12.8 | 202.0 | 14.9 |
| | 95 | 89.1 | 6.6 | 108.3 | 8.1 | 126.4 | 9.5 | 151.2 | 11.6 | 177.2 | 13.9 | 202.0 | 16.3 |
| | 100 | 89.1 | 7.2 | 108.3 | 8.8 | 126.4 | 10.4 | 151.2 | 12.6 | 177.2 | 15.2 | 202.0 | 17.7 |
| 105 | 89.1 | 7.7 | 108.3 | 9.5 | 126.4 | 11.2 | 151.2 | 13.7 | 177.2 | 16.4 | 202.0 | 19.1 | |
| 110 | 89.1 | 8.3 | 108.3 | 10.2 | 126.4 | 12.0 | 151.2 | 14.6 | 177.2 | 17.5 | 201.8 | 20.4 | |
| 115 | 89.1 | 8.7 | 108.3 | 10.7 | 126.4 | 12.7 | 151.2 | 15.5 | 175.1 | 18.3 | 188.0 | 20.0 | |
| 118 | 89.1 | 9.0 | 108.3 | 11.0 | 126.4 | 13.0 | 151.2 | 15.9 | 165.2 | 17.7 | 170.7 | 18.7 | |
| 125 | 87.4 | 9.2 | 101.2 | 10.7 | 108.2 | 11.6 | 112.4 | 12.2 | 115.8 | 12.9 | 118.0 | 13.4 | |
| 60% | -10 | 76.4 | 2.3 | 92.8 | 2.8 | 108.3 | 3.3 | 129.6 | 4.0 | 151.8 | 4.8 | 173.1 | 5.6 |
| | -5 | 76.4 | 2.4 | 92.8 | 3.0 | 108.3 | 3.5 | 129.6 | 4.3 | 151.8 | 5.1 | 173.1 | 6.0 |
| | 10 | 76.4 | 2.5 | 92.8 | 3.0 | 108.3 | 3.6 | 129.6 | 4.4 | 151.8 | 5.2 | 173.1 | 6.1 |
| | 15 | 76.4 | 2.5 | 92.8 | 3.1 | 108.3 | 3.7 | 129.6 | 4.5 | 151.8 | 5.4 | 173.1 | 6.2 |
| | 20 | 76.4 | 2.6 | 92.8 | 3.2 | 108.3 | 3.7 | 129.6 | 4.6 | 151.8 | 5.5 | 173.1 | 6.4 |
| | 25 | 76.4 | 2.6 | 92.8 | 3.2 | 108.3 | 3.8 | 129.6 | 4.7 | 151.8 | 5.6 | 173.1 | 6.5 |
| | 30 | 76.4 | 2.7 | 92.8 | 3.3 | 108.3 | 3.9 | 129.6 | 4.8 | 151.8 | 5.7 | 173.1 | 6.7 |
| | 35 | 76.4 | 2.8 | 92.8 | 3.4 | 108.3 | 4.0 | 129.6 | 4.9 | 151.8 | 5.9 | 173.1 | 6.8 |
| | 40 | 76.4 | 2.8 | 92.8 | 3.5 | 108.3 | 4.1 | 129.6 | 5.0 | 151.8 | 6.0 | 173.1 | 7.0 |
| | 45 | 76.4 | 2.9 | 92.8 | 3.6 | 108.3 | 4.2 | 129.6 | 5.1 | 151.8 | 6.2 | 173.1 | 7.2 |
| | 50 | 76.4 | 3.0 | 92.8 | 3.7 | 108.3 | 4.3 | 129.6 | 5.3 | 151.8 | 6.3 | 173.1 | 7.4 |
| | 55 | 76.4 | 3.1 | 92.8 | 3.8 | 108.3 | 4.4 | 129.6 | 5.4 | 151.8 | 6.5 | 173.1 | 7.6 |
| | 60 | 76.4 | 3.1 | 92.8 | 3.9 | 108.3 | 4.6 | 129.6 | 5.6 | 151.8 | 6.7 | 173.1 | 7.8 |
| | 65 | 76.4 | 3.2 | 92.8 | 4.0 | 108.3 | 4.7 | 129.6 | 5.7 | 151.8 | 6.8 | 173.1 | 8.0 |
| | 70 | 76.4 | 3.5 | 92.8 | 4.3 | 108.3 | 5.1 | 129.6 | 6.2 | 151.8 | 7.4 | 173.1 | 8.7 |
| | 75 | 76.4 | 3.9 | 92.8 | 4.7 | 108.3 | 5.6 | 129.6 | 6.8 | 151.8 | 8.2 | 173.1 | 9.5 |
| | 80 | 76.4 | 4.2 | 92.8 | 5.2 | 108.3 | 6.1 | 129.6 | 7.5 | 151.8 | 9.0 | 173.1 | 10.5 |
| | 85 | 76.4 | 4.6 | 92.8 | 5.7 | 108.3 | 6.7 | 129.6 | 8.2 | 151.8 | 9.8 | 173.1 | 11.5 |
| | 90 | 76.4 | 5.1 | 92.8 | 6.3 | 108.3 | 7.4 | 129.6 | 9.0 | 151.8 | 10.8 | 173.1 | 12.6 |
| | 95 | 76.4 | 5.6 | 92.8 | 6.8 | 108.3 | 8.1 | 129.6 | 9.8 | 151.8 | 11.8 | 173.1 | 13.8 |
| | 100 | 76.4 | 6.0 | 92.8 | 7.4 | 108.3 | 8.8 | 129.6 | 10.7 | 151.8 | 12.8 | 173.1 | 14.9 |
| 105 | 76.4 | 6.5 | 92.8 | 8.0 | 108.3 | 9.5 | 129.6 | 11.5 | 151.8 | 13.8 | 173.1 | 16.1 | |
| 110 | 76.4 | 7.0 | 92.8 | 8.6 | 108.3 | 10.1 | 129.6 | 12.3 | 151.8 | 14.8 | 173.1 | 17.3 | |
| 115 | 76.4 | 7.4 | 92.8 | 9.1 | 108.3 | 10.7 | 129.6 | 13.1 | 151.8 | 15.7 | 173.1 | 18.3 | |
| 118 | 76.4 | 7.6 | 92.8 | 9.3 | 108.3 | 11.0 | 129.6 | 13.4 | 151.8 | 16.1 | 165.1 | 17.9 | |
| 125 | 76.4 | 7.9 | 92.8 | 9.7 | 103.0 | 10.9 | 112.4 | 12.1 | 115.8 | 12.7 | 118.0 | 13.3 | |

NOTE - Power Input = Compressor + Outdoor Fan Motor.
MBH = 1000 BTUs per hour.

COOLING CAPACITY - TWO MODULE | VRB216H4

| Combination (%) | Outdoor Temperature °F (Dry Bulb) | Indoor Temperature - °F (Dry Bulb / Wet Bulb) | | | | | | | | | | | |
|-----------------|-----------------------------------|---|-------------|------------|-------------|------------|-------------|------------|-------------|------------|-------------|------------|-------------|
| | | 67 / 57 | | 71 / 60 | | 75 / 63 | | 80 / 67 | | 85 / 71 | | 90 / 75 | |
| | | Total Cap. | Power Input | Total Cap. | Power Input | Total Cap. | Power Input | Total Cap. | Power Input | Total Cap. | Power Input | Total Cap. | Power Input |
| | | MBH | kW | MBH | kW | MBH | kW | MBH | kW | MBH | kW | MBH | kW |
| 50% | -10 | 59.9 | 1.8 | 77.4 | 2.3 | 90.3 | 2.7 | 108.0 | 3.3 | 126.5 | 4.0 | 144.3 | 4.6 |
| | -5 | 63.7 | 2.0 | 77.4 | 2.4 | 90.3 | 2.9 | 108.0 | 3.5 | 126.5 | 4.2 | 144.3 | 4.9 |
| | 10 | 63.7 | 2.0 | 77.4 | 2.5 | 90.3 | 2.9 | 108.0 | 3.6 | 126.5 | 4.3 | 144.3 | 5.0 |
| | 15 | 63.7 | 2.1 | 77.4 | 2.6 | 90.3 | 3.0 | 108.0 | 3.7 | 126.5 | 4.4 | 144.3 | 5.1 |
| | 20 | 63.7 | 2.1 | 77.4 | 2.6 | 90.3 | 3.1 | 108.0 | 3.7 | 126.5 | 4.5 | 144.3 | 5.2 |
| | 25 | 63.7 | 2.2 | 77.4 | 2.7 | 90.3 | 3.1 | 108.0 | 3.8 | 126.5 | 4.6 | 144.3 | 5.4 |
| | 30 | 63.7 | 2.2 | 77.4 | 2.7 | 90.3 | 3.2 | 108.0 | 3.9 | 126.5 | 4.7 | 144.3 | 5.5 |
| | 35 | 63.7 | 2.3 | 77.4 | 2.8 | 90.3 | 3.3 | 108.0 | 4.0 | 126.5 | 4.8 | 144.3 | 5.6 |
| | 40 | 63.7 | 2.3 | 77.4 | 2.9 | 90.3 | 3.4 | 108.0 | 4.1 | 126.5 | 4.9 | 144.3 | 5.8 |
| | 45 | 63.7 | 2.4 | 77.4 | 2.9 | 90.3 | 3.5 | 108.0 | 4.2 | 126.5 | 5.1 | 144.3 | 5.9 |
| | 50 | 63.7 | 2.4 | 77.4 | 3.0 | 90.3 | 3.6 | 108.0 | 4.3 | 126.5 | 5.2 | 144.3 | 6.1 |
| | 55 | 63.7 | 2.5 | 77.4 | 3.1 | 90.3 | 3.6 | 108.0 | 4.4 | 126.5 | 5.3 | 144.3 | 6.2 |
| | 60 | 63.7 | 2.6 | 77.4 | 3.2 | 90.3 | 3.7 | 108.0 | 4.6 | 126.5 | 5.5 | 144.3 | 6.4 |
| | 65 | 63.7 | 2.7 | 77.4 | 3.3 | 90.3 | 3.9 | 108.0 | 4.7 | 126.5 | 5.6 | 144.3 | 6.6 |
| | 70 | 63.7 | 2.9 | 77.4 | 3.5 | 90.3 | 4.2 | 108.0 | 5.1 | 126.5 | 6.1 | 144.3 | 7.1 |
| | 75 | 63.7 | 3.2 | 77.4 | 3.9 | 90.3 | 4.6 | 108.0 | 5.6 | 126.5 | 6.7 | 144.3 | 7.8 |
| | 80 | 63.7 | 3.5 | 77.4 | 4.3 | 90.3 | 5.0 | 108.0 | 6.2 | 126.5 | 7.4 | 144.3 | 8.6 |
| | 85 | 63.7 | 3.8 | 77.4 | 4.7 | 90.3 | 5.5 | 108.0 | 6.8 | 126.5 | 8.1 | 144.3 | 9.4 |
| | 90 | 63.7 | 4.2 | 77.4 | 5.1 | 90.3 | 6.1 | 108.0 | 7.4 | 126.5 | 8.9 | 144.3 | 10.3 |
| | 95 | 63.7 | 4.6 | 77.4 | 5.6 | 90.3 | 6.6 | 108.0 | 8.1 | 126.5 | 9.7 | 144.3 | 11.3 |
| 100 | 63.7 | 5.0 | 77.4 | 6.1 | 90.3 | 7.2 | 108.0 | 8.8 | 126.5 | 10.5 | 144.3 | 12.3 | |
| 105 | 63.7 | 5.4 | 77.4 | 6.6 | 90.3 | 7.8 | 108.0 | 9.5 | 126.5 | 11.4 | 144.3 | 13.3 | |
| 110 | 63.7 | 5.7 | 77.4 | 7.1 | 90.3 | 8.3 | 108.0 | 10.1 | 126.5 | 12.2 | 144.3 | 14.2 | |
| 115 | 63.7 | 6.1 | 77.4 | 7.5 | 90.3 | 8.8 | 108.0 | 10.7 | 126.5 | 12.9 | 144.3 | 15.0 | |
| 118 | 63.7 | 6.2 | 77.4 | 7.7 | 90.3 | 9.1 | 108.0 | 11.0 | 126.5 | 13.2 | 144.3 | 15.4 | |
| 125 | 63.7 | 6.5 | 77.4 | 8.0 | 90.3 | 9.4 | 105.0 | 11.2 | 114.9 | 12.4 | 118.0 | 13.1 | |

NOTE - Power Input = Compressor + Outdoor Fan Motor.
 MBH = 1000 BTUs per hour.

HEATING CAPACITY - TWO MODULE | VRB216H4

| Combination (%) | Outdoor Temperature (°F) | | Indoor Temperature - °F Dry Bulb | | | | | | | | | | | |
|-----------------|--------------------------|----------|----------------------------------|-------------|------------|-------------|------------|-------------|------------|-------------|------------|-------------|------------|-------------|
| | | | 61 | | 64 | | 67 | | 70 | | 73 | | 75 | |
| | | | Total Cap. | Power Input | Total Cap. | Power Input | Total Cap. | Power Input | Total Cap. | Power Input | Total Cap. | Power Input | Total Cap. | Power Input |
| | Dry Bulb | Wet Bulb | MBH | kW | MBH | kW | MBH | kW | MBH | kW | MBH | kW | MBH | kW |
| 70% | -13 | -14 | 131.5 | 12.9 | 131.1 | 13.3 | 130.8 | 13.6 | 130.5 | 14.0 | 130.1 | 14.4 | 129.9 | 14.7 |
| | -8 | -9 | 139.2 | 13.7 | 138.8 | 14.0 | 138.5 | 14.4 | 138.1 | 14.8 | 137.8 | 15.3 | 137.6 | 15.6 |
| | -3 | -4 | 150.5 | 14.7 | 150.1 | 15.1 | 149.8 | 15.5 | 149.4 | 15.9 | 148.1 | 16.3 | 144.9 | 16.3 |
| | 2 | 1 | 164.4 | 15.8 | 164.0 | 16.2 | 163.6 | 16.7 | 159.6 | 16.8 | 154.6 | 16.8 | 151.4 | 16.9 |
| | 7 | 6 | 179.8 | 17.0 | 176.8 | 17.2 | 172.1 | 17.2 | 167.1 | 17.3 | 159.4 | 17.0 | 152.4 | 16.6 |
| | 12 | 10 | 189.8 | 17.6 | 184.8 | 17.6 | 180.0 | 17.7 | 170.1 | 17.2 | 159.4 | 16.6 | 152.4 | 16.2 |
| | 17 | 15 | 197.9 | 17.8 | 191.0 | 17.7 | 180.8 | 17.2 | 170.1 | 16.7 | 159.4 | 16.1 | 152.4 | 15.7 |
| | 22 | 20 | 201.7 | 17.6 | 191.0 | 17.1 | 180.8 | 16.6 | 170.1 | 16.1 | 159.4 | 15.5 | 152.4 | 15.1 |
| | 27 | 24 | 201.7 | 17.0 | 191.0 | 16.5 | 180.8 | 16.0 | 170.1 | 15.4 | 159.4 | 14.8 | 152.4 | 14.4 |
| | 32 | 29 | 201.7 | 16.3 | 191.0 | 15.8 | 180.8 | 15.3 | 170.1 | 14.7 | 159.4 | 14.1 | 152.4 | 13.2 |
| | 37 | 34 | 201.7 | 15.6 | 191.0 | 15.1 | 180.8 | 14.6 | 170.1 | 13.8 | 159.4 | 12.6 | 152.4 | 11.9 |
| | 42 | 38 | 201.7 | 14.8 | 191.0 | 14.4 | 180.8 | 13.4 | 170.1 | 12.4 | 159.4 | 11.4 | 152.4 | 10.8 |
| | 47 | 43 | 201.7 | 14.0 | 191.0 | 13.1 | 180.8 | 12.2 | 170.1 | 11.3 | 159.4 | 10.5 | 152.4 | 9.9 |
| | 52 | 47 | 201.7 | 12.7 | 191.0 | 11.9 | 180.8 | 11.2 | 170.1 | 10.4 | 159.4 | 9.7 | 152.4 | 9.2 |
| | 57 | 52 | 201.7 | 11.7 | 191.0 | 11.0 | 180.8 | 10.3 | 170.1 | 9.6 | 159.4 | 9.0 | 152.4 | 8.5 |
| | 62 | 56 | 201.7 | 10.8 | 191.0 | 10.2 | 180.8 | 9.6 | 170.1 | 9.0 | 159.4 | 8.3 | 152.4 | 8.0 |
| | 67 | 61 | 201.7 | 10.0 | 191.0 | 9.5 | 180.8 | 8.9 | 170.1 | 8.4 | 159.4 | 7.8 | 152.4 | 7.5 |
| | 72 | 66 | 201.7 | 9.4 | 191.0 | 8.9 | 180.8 | 8.4 | 170.1 | 7.9 | 159.4 | 7.4 | 152.4 | 7.0 |
| | 75 | 69 | 201.7 | 9.0 | 191.0 | 8.5 | 180.8 | 8.1 | 170.1 | 7.6 | 159.4 | 7.1 | 152.4 | 6.8 |
| | 80 | 74 | 201.7 | 8.5 | 191.0 | 8.0 | 180.8 | 7.6 | 170.1 | 7.2 | 159.4 | 6.7 | 152.4 | 6.4 |
| 60% | -13 | -14 | 130.9 | 12.7 | 130.6 | 13.0 | 130.3 | 13.4 | 130.0 | 13.8 | 129.2 | 14.1 | 126.4 | 14.2 |
| | -8 | -9 | 138.6 | 13.4 | 138.3 | 13.8 | 137.9 | 14.1 | 136.8 | 14.5 | 132.5 | 14.5 | 129.7 | 14.6 |
| | -3 | -4 | 149.9 | 14.4 | 149.5 | 14.8 | 146.2 | 14.9 | 141.9 | 15.0 | 136.6 | 14.9 | 130.6 | 14.6 |
| | 2 | 1 | 161.2 | 15.3 | 156.8 | 15.4 | 152.8 | 15.4 | 145.8 | 15.2 | 136.6 | 14.7 | 130.6 | 14.4 |
| | 7 | 6 | 168.6 | 15.8 | 163.7 | 15.8 | 155.0 | 15.4 | 145.8 | 14.9 | 136.6 | 14.4 | 130.6 | 14.1 |
| | 12 | 10 | 172.9 | 15.8 | 163.7 | 15.4 | 155.0 | 15.0 | 145.8 | 14.5 | 136.6 | 14.0 | 130.6 | 13.7 |
| | 17 | 15 | 172.9 | 15.4 | 163.7 | 15.0 | 155.0 | 14.6 | 145.8 | 14.1 | 136.6 | 13.6 | 130.6 | 13.2 |
| | 22 | 20 | 172.9 | 14.9 | 163.7 | 14.5 | 155.0 | 14.0 | 145.8 | 13.6 | 136.6 | 13.1 | 130.6 | 12.7 |
| | 27 | 24 | 172.9 | 14.3 | 163.7 | 13.9 | 155.0 | 13.5 | 145.8 | 13.0 | 136.6 | 12.5 | 130.6 | 12.2 |
| | 32 | 29 | 172.9 | 13.7 | 163.7 | 13.3 | 155.0 | 12.9 | 145.8 | 12.5 | 136.6 | 11.9 | 130.6 | 11.2 |
| | 37 | 34 | 172.9 | 13.1 | 163.7 | 12.7 | 155.0 | 12.3 | 145.8 | 11.6 | 136.6 | 10.7 | 130.6 | 10.1 |
| | 42 | 38 | 172.9 | 12.5 | 163.7 | 12.1 | 155.0 | 11.4 | 145.8 | 10.5 | 136.6 | 9.7 | 130.6 | 9.2 |
| | 47 | 43 | 172.9 | 11.8 | 163.7 | 11.0 | 155.0 | 10.3 | 145.8 | 9.6 | 136.6 | 8.9 | 130.6 | 8.4 |
| | 52 | 47 | 172.9 | 10.8 | 163.7 | 10.1 | 155.0 | 9.4 | 145.8 | 8.8 | 136.6 | 8.2 | 130.6 | 7.8 |
| | 57 | 52 | 172.9 | 9.9 | 163.7 | 9.3 | 155.0 | 8.7 | 145.8 | 8.1 | 136.6 | 7.6 | 130.6 | 7.2 |
| | 62 | 56 | 172.9 | 9.1 | 163.7 | 8.6 | 155.0 | 8.1 | 145.8 | 7.6 | 136.6 | 7.1 | 130.6 | 6.7 |
| | 67 | 61 | 172.9 | 8.5 | 163.7 | 8.0 | 155.0 | 7.6 | 145.8 | 7.1 | 136.6 | 6.6 | 130.6 | 6.3 |
| | 72 | 66 | 172.9 | 7.9 | 163.7 | 7.5 | 155.0 | 7.1 | 145.8 | 6.6 | 136.6 | 6.2 | 130.6 | 5.9 |
| | 75 | 69 | 172.9 | 7.6 | 163.7 | 7.2 | 155.0 | 6.8 | 145.8 | 6.4 | 136.6 | 6.0 | 130.6 | 5.7 |
| | 80 | 74 | 172.9 | 7.2 | 163.7 | 6.8 | 155.0 | 6.4 | 145.8 | 6.1 | 136.6 | 5.7 | 130.6 | 5.4 |
| 50% | -13 | -14 | 130.4 | 12.5 | 129.4 | 12.7 | 126.0 | 12.8 | 121.5 | 12.7 | 113.8 | 12.3 | 108.9 | 12.0 |
| | -8 | -9 | 136.3 | 13.0 | 132.7 | 13.1 | 129.2 | 13.1 | 121.5 | 12.7 | 113.8 | 12.3 | 108.9 | 12.0 |
| | -3 | -4 | 141.4 | 13.5 | 136.4 | 13.4 | 129.2 | 13.1 | 121.5 | 12.7 | 113.8 | 12.2 | 108.9 | 12.0 |
| | 2 | 1 | 144.1 | 13.6 | 136.4 | 13.2 | 129.2 | 12.9 | 121.5 | 12.5 | 113.8 | 12.1 | 108.9 | 11.8 |
| | 7 | 6 | 144.1 | 13.3 | 136.4 | 13.0 | 129.2 | 12.6 | 121.5 | 12.2 | 113.8 | 11.8 | 108.9 | 11.6 |
| | 12 | 10 | 144.1 | 13.0 | 136.4 | 12.7 | 129.2 | 12.3 | 121.5 | 11.9 | 113.8 | 11.5 | 108.9 | 11.2 |
| | 17 | 15 | 144.1 | 12.7 | 136.4 | 12.3 | 129.2 | 12.0 | 121.5 | 11.6 | 113.8 | 11.2 | 108.9 | 10.9 |
| | 22 | 20 | 144.1 | 12.2 | 136.4 | 11.9 | 129.2 | 11.5 | 121.5 | 11.2 | 113.8 | 10.7 | 108.9 | 10.5 |
| | 27 | 24 | 144.1 | 11.8 | 136.4 | 11.4 | 129.2 | 11.1 | 121.5 | 10.7 | 113.8 | 10.3 | 108.9 | 10.0 |
| | 32 | 29 | 144.1 | 11.3 | 136.4 | 11.0 | 129.2 | 10.6 | 121.5 | 10.2 | 113.8 | 9.8 | 108.9 | 9.2 |
| | 37 | 34 | 144.1 | 10.8 | 136.4 | 10.5 | 129.2 | 10.1 | 121.5 | 9.5 | 113.8 | 8.8 | 108.9 | 8.3 |
| | 42 | 38 | 144.1 | 10.3 | 136.4 | 10.0 | 129.2 | 9.3 | 121.5 | 8.6 | 113.8 | 7.9 | 108.9 | 7.5 |
| | 47 | 43 | 144.1 | 9.7 | 136.4 | 9.1 | 129.2 | 8.5 | 121.5 | 7.9 | 113.8 | 7.3 | 108.9 | 6.9 |
| | 52 | 47 | 144.1 | 8.8 | 136.4 | 8.3 | 129.2 | 7.8 | 121.5 | 7.2 | 113.8 | 6.7 | 108.9 | 6.4 |
| | 57 | 52 | 144.1 | 8.1 | 136.4 | 7.6 | 129.2 | 7.2 | 121.5 | 6.7 | 113.8 | 6.2 | 108.9 | 5.9 |
| | 62 | 56 | 144.1 | 7.5 | 136.4 | 7.1 | 129.2 | 6.7 | 121.5 | 6.2 | 113.8 | 5.8 | 108.9 | 5.5 |
| | 67 | 61 | 144.1 | 7.0 | 136.4 | 6.6 | 129.2 | 6.2 | 121.5 | 5.8 | 113.8 | 5.4 | 108.9 | 5.2 |
| | 72 | 66 | 144.1 | 6.5 | 136.4 | 6.2 | 129.2 | 5.8 | 121.5 | 5.5 | 113.8 | 5.1 | 108.9 | 4.9 |
| | 75 | 69 | 144.1 | 6.3 | 136.4 | 5.9 | 129.2 | 5.6 | 121.5 | 5.3 | 113.8 | 4.9 | 108.9 | 4.7 |
| | 80 | 74 | 144.1 | 5.9 | 136.4 | 5.6 | 129.2 | 5.3 | 121.5 | 5.0 | 113.8 | 4.7 | 108.9 | 4.5 |

NOTE - Power Input = Compressor + Outdoor Fan Motor.
 MBH = 1000 BTUs per hour.

COOLING CAPACITY - TWO MODULE | VRB240H4

| Combination (%) | Outdoor Temperature °F (Dry Bulb) | Indoor Temperature - °F (Dry Bulb / Wet Bulb) | | | | | | | | | | | |
|-----------------|-----------------------------------|---|-------------|------------|-------------|------------|-------------|------------|-------------|------------|-------------|------------|-------------|
| | | 67 / 57 | | 71 / 60 | | 75 / 63 | | 80 / 67 | | 85 / 71 | | 90 / 75 | |
| | | Total Cap. | Power Input | Total Cap. | Power Input | Total Cap. | Power Input | Total Cap. | Power Input | Total Cap. | Power Input | Total Cap. | Power Input |
| | | MBH | kW | MBH | kW | MBH | kW | MBH | kW | MBH | kW | MBH | kW |
| 130% | -10 | 183.9 | 6.8 | 223.5 | 8.3 | 260.8 | 9.8 | 312.0 | 11.9 | 365.6 | 14.3 | 401.8 | 16.1 |
| | -5 | 183.9 | 7.2 | 223.5 | 8.8 | 260.8 | 10.4 | 312.0 | 12.7 | 365.6 | 15.2 | 380.8 | 16.2 |
| | 10 | 183.9 | 7.3 | 223.5 | 9.0 | 260.8 | 10.6 | 312.0 | 13.0 | 365.6 | 15.5 | 373.4 | 16.3 |
| | 15 | 183.9 | 7.5 | 223.5 | 9.2 | 260.8 | 10.9 | 312.0 | 13.3 | 360.4 | 15.7 | 365.2 | 16.2 |
| | 20 | 183.9 | 7.7 | 223.5 | 9.4 | 260.8 | 11.1 | 312.0 | 13.5 | 352.1 | 15.6 | 356.9 | 16.2 |
| | 25 | 183.9 | 7.8 | 223.5 | 9.6 | 260.8 | 11.4 | 312.0 | 13.9 | 343.4 | 15.6 | 348.2 | 16.2 |
| | 30 | 183.9 | 8.0 | 223.5 | 9.9 | 260.8 | 11.6 | 312.0 | 14.2 | 335.1 | 15.6 | 339.9 | 16.2 |
| | 35 | 183.9 | 8.2 | 223.5 | 10.1 | 260.8 | 11.9 | 312.0 | 14.5 | 327.2 | 15.6 | 332.0 | 16.2 |
| | 40 | 183.9 | 8.4 | 223.5 | 10.3 | 260.8 | 12.2 | 312.0 | 14.9 | 322.2 | 15.7 | 327.0 | 16.3 |
| | 45 | 183.9 | 8.6 | 223.5 | 10.6 | 260.8 | 12.5 | 312.0 | 15.2 | 320.2 | 16.0 | 325.0 | 16.6 |
| | 50 | 183.9 | 8.8 | 223.5 | 10.9 | 260.8 | 12.8 | 312.0 | 15.6 | 318.6 | 16.3 | 323.4 | 17.0 |
| | 55 | 183.9 | 9.1 | 223.5 | 11.2 | 260.8 | 13.2 | 312.0 | 16.1 | 317.4 | 16.7 | 322.2 | 17.4 |
| | 60 | 183.9 | 9.3 | 223.5 | 11.5 | 260.8 | 13.5 | 312.0 | 16.5 | 317.8 | 17.2 | 321.2 | 17.8 |
| | 65 | 183.9 | 9.6 | 223.5 | 11.8 | 260.8 | 13.9 | 312.0 | 17.0 | 314.1 | 17.5 | 320.2 | 18.2 |
| | 70 | 183.9 | 10.4 | 223.5 | 12.8 | 260.8 | 15.1 | 312.0 | 18.4 | 312.8 | 18.9 | 318.8 | 19.7 |
| | 75 | 183.9 | 11.4 | 223.5 | 14.1 | 260.8 | 16.6 | 306.1 | 19.9 | 310.9 | 20.6 | 316.8 | 21.5 |
| | 80 | 183.9 | 12.6 | 223.5 | 15.4 | 260.8 | 18.2 | 303.0 | 21.6 | 307.8 | 22.4 | 313.7 | 23.4 |
| | 85 | 183.9 | 13.8 | 223.5 | 16.9 | 260.8 | 20.0 | 298.3 | 23.3 | 303.1 | 24.2 | 308.9 | 25.3 |
| | 90 | 183.9 | 15.1 | 223.5 | 18.6 | 260.8 | 21.9 | 291.4 | 25.0 | 296.2 | 25.9 | 301.9 | 27.1 |
| | 95 | 183.9 | 16.5 | 223.5 | 20.3 | 260.8 | 23.9 | 265.9 | 24.9 | 270.7 | 25.9 | 275.5 | 27.0 |
| | 100 | 183.9 | 17.9 | 223.5 | 22.0 | 248.2 | 24.8 | 253.0 | 25.7 | 257.8 | 26.8 | 262.8 | 28.0 |
| 105 | 183.9 | 19.4 | 223.5 | 23.8 | 229.5 | 24.7 | 234.3 | 25.7 | 241.3 | 27.1 | 245.9 | 28.3 | |
| 110 | 183.9 | 20.7 | 200.8 | 22.9 | 205.6 | 23.7 | 213.5 | 25.1 | 219.9 | 26.4 | 224.1 | 27.6 | |
| 115 | 169.4 | 20.2 | 174.2 | 21.0 | 180.2 | 22.0 | 187.1 | 23.3 | 192.7 | 24.5 | 196.4 | 25.6 | |
| 118 | 149.8 | 18.4 | 156.4 | 19.4 | 161.8 | 20.3 | 168.0 | 21.5 | 173.0 | 22.6 | 176.3 | 23.6 | |
| 125 | 101.6 | 13.0 | 106.1 | 13.7 | 109.8 | 14.4 | 114.0 | 15.2 | 117.4 | 16.0 | 119.7 | 16.7 | |
| 120% | -10 | 169.8 | 6.1 | 206.3 | 7.5 | 240.7 | 8.9 | 288.0 | 10.9 | 337.4 | 13.0 | 384.7 | 15.2 |
| | -5 | 169.8 | 6.5 | 206.3 | 8.0 | 240.7 | 9.5 | 288.0 | 11.5 | 337.4 | 13.8 | 374.4 | 15.7 |
| | 10 | 169.8 | 6.7 | 206.3 | 8.2 | 240.7 | 9.7 | 288.0 | 11.8 | 337.4 | 14.1 | 367.0 | 15.7 |
| | 15 | 169.8 | 6.8 | 206.3 | 8.4 | 240.7 | 9.9 | 288.0 | 12.0 | 337.4 | 14.4 | 358.8 | 15.7 |
| | 20 | 169.8 | 7.0 | 206.3 | 8.6 | 240.7 | 10.1 | 288.0 | 12.3 | 337.4 | 14.7 | 350.6 | 15.7 |
| | 25 | 169.8 | 7.1 | 206.3 | 8.7 | 240.7 | 10.3 | 288.0 | 12.6 | 337.4 | 15.1 | 342.0 | 15.7 |
| | 30 | 169.8 | 7.3 | 206.3 | 9.0 | 240.7 | 10.6 | 288.0 | 12.9 | 329.0 | 15.0 | 333.8 | 15.6 |
| | 35 | 169.8 | 7.5 | 206.3 | 9.2 | 240.7 | 10.8 | 288.0 | 13.2 | 321.2 | 15.0 | 326.0 | 15.6 |
| | 40 | 169.8 | 7.6 | 206.3 | 9.4 | 240.7 | 11.1 | 288.0 | 13.5 | 316.1 | 15.2 | 320.9 | 15.8 |
| | 45 | 169.8 | 7.8 | 206.3 | 9.6 | 240.7 | 11.4 | 288.0 | 13.9 | 314.0 | 15.4 | 318.8 | 16.1 |
| | 50 | 169.8 | 8.0 | 206.3 | 9.9 | 240.7 | 11.7 | 288.0 | 14.2 | 312.5 | 15.8 | 317.3 | 16.4 |
| | 55 | 169.8 | 8.2 | 206.3 | 10.1 | 240.7 | 12.0 | 288.0 | 14.6 | 311.3 | 16.1 | 316.1 | 16.8 |
| | 60 | 169.8 | 8.5 | 206.3 | 10.4 | 240.7 | 12.3 | 288.0 | 15.0 | 311.5 | 16.6 | 315.1 | 17.2 |
| | 65 | 169.8 | 8.7 | 206.3 | 10.7 | 240.7 | 12.6 | 288.0 | 15.4 | 308.2 | 16.9 | 314.1 | 17.6 |
| | 70 | 169.8 | 9.5 | 206.3 | 11.6 | 240.7 | 13.7 | 288.0 | 16.8 | 306.9 | 18.3 | 312.8 | 19.1 |
| | 75 | 169.8 | 10.4 | 206.3 | 12.8 | 240.7 | 15.1 | 288.0 | 18.4 | 305.0 | 19.9 | 310.9 | 20.8 |
| | 80 | 169.8 | 11.4 | 206.3 | 14.0 | 240.7 | 16.6 | 288.0 | 20.2 | 302.0 | 21.7 | 307.8 | 22.6 |
| | 85 | 169.8 | 12.5 | 206.3 | 15.4 | 240.7 | 18.2 | 288.0 | 22.2 | 297.4 | 23.4 | 303.1 | 24.4 |
| | 90 | 169.8 | 13.7 | 206.3 | 16.9 | 240.7 | 19.9 | 288.0 | 24.3 | 290.7 | 25.1 | 296.2 | 26.2 |
| | 95 | 169.8 | 15.0 | 206.3 | 18.4 | 240.7 | 21.8 | 265.9 | 24.5 | 270.7 | 25.5 | 275.5 | 26.6 |
| | 100 | 169.8 | 16.3 | 206.3 | 20.0 | 240.7 | 23.7 | 253.0 | 25.3 | 257.8 | 26.4 | 262.8 | 27.5 |
| 105 | 169.8 | 17.6 | 206.3 | 21.6 | 229.5 | 24.3 | 234.3 | 25.3 | 241.3 | 26.7 | 245.9 | 27.8 | |
| 110 | 169.8 | 18.8 | 200.8 | 22.5 | 205.6 | 23.3 | 213.5 | 24.7 | 219.9 | 26.0 | 224.1 | 27.1 | |
| 115 | 169.8 | 19.9 | 174.2 | 20.7 | 180.2 | 21.6 | 187.1 | 22.9 | 192.7 | 24.1 | 196.4 | 25.2 | |
| 118 | 149.8 | 18.1 | 156.4 | 19.1 | 161.8 | 20.0 | 168.0 | 21.1 | 173.0 | 22.3 | 176.3 | 23.2 | |
| 125 | 101.6 | 12.8 | 106.1 | 13.5 | 109.8 | 14.1 | 114.0 | 15.0 | 117.4 | 15.8 | 119.7 | 16.4 | |

NOTE - Power Input = Compressor + Outdoor Fan Motor.
MBH = 1000 BTUs per hour.

COOLING CAPACITY - TWO MODULE | VRB240H4

| Combination (%) | Outdoor Temperature °F (Dry Bulb) | Indoor Temperature - °F (Dry Bulb / Wet Bulb) | | | | | | | | | | | |
|-----------------|-----------------------------------|---|-------------|------------|-------------|------------|-------------|------------|-------------|------------|-------------|------------|-------------|
| | | 67 / 57 | | 71 / 60 | | 75 / 63 | | 80 / 67 | | 85 / 71 | | 90 / 75 | |
| | | Total Cap. | Power Input | Total Cap. | Power Input | Total Cap. | Power Input | Total Cap. | Power Input | Total Cap. | Power Input | Total Cap. | Power Input |
| | | MBH | KW | MBH | KW | MBH | KW | MBH | KW | MBH | KW | MBH | KW |
| 110% | -10 | 155.6 | 5.5 | 189.1 | 6.8 | 220.7 | 8.0 | 264.0 | 9.8 | 309.3 | 11.7 | 352.7 | 13.7 |
| | -5 | 155.6 | 5.9 | 189.1 | 7.2 | 220.7 | 8.5 | 264.0 | 10.4 | 309.3 | 12.5 | 352.7 | 14.6 |
| | 10 | 155.6 | 6.0 | 189.1 | 7.4 | 220.7 | 8.7 | 264.0 | 10.6 | 309.3 | 12.7 | 352.7 | 14.9 |
| | 15 | 155.6 | 6.1 | 189.1 | 7.6 | 220.7 | 8.9 | 264.0 | 10.9 | 309.3 | 13.0 | 352.5 | 15.2 |
| | 20 | 155.6 | 6.3 | 189.1 | 7.7 | 220.7 | 9.1 | 264.0 | 11.1 | 309.3 | 13.3 | 344.3 | 15.2 |
| | 25 | 155.6 | 6.4 | 189.1 | 7.9 | 220.7 | 9.3 | 264.0 | 11.4 | 309.3 | 13.6 | 335.8 | 15.1 |
| | 30 | 155.6 | 6.6 | 189.1 | 8.1 | 220.7 | 9.5 | 264.0 | 11.6 | 309.3 | 13.9 | 327.6 | 15.1 |
| | 35 | 155.6 | 6.7 | 189.1 | 8.3 | 220.7 | 9.8 | 264.0 | 11.9 | 309.3 | 14.3 | 319.9 | 15.1 |
| | 40 | 155.6 | 6.9 | 189.1 | 8.5 | 220.7 | 10.0 | 264.0 | 12.2 | 309.3 | 14.6 | 314.7 | 15.2 |
| | 45 | 155.6 | 7.1 | 189.1 | 8.7 | 220.7 | 10.3 | 264.0 | 12.5 | 309.3 | 15.0 | 312.7 | 15.5 |
| | 50 | 155.6 | 7.3 | 189.1 | 8.9 | 220.7 | 10.5 | 264.0 | 12.8 | 309.3 | 15.4 | 311.2 | 15.8 |
| | 55 | 155.6 | 7.4 | 189.1 | 9.2 | 220.7 | 10.8 | 264.0 | 13.2 | 309.3 | 15.8 | 310.0 | 16.2 |
| | 60 | 155.6 | 7.6 | 189.1 | 9.4 | 220.7 | 11.1 | 264.0 | 13.5 | 305.1 | 16.0 | 309.0 | 16.6 |
| | 65 | 155.6 | 7.9 | 189.1 | 9.7 | 220.7 | 11.4 | 264.0 | 13.9 | 302.3 | 16.3 | 308.1 | 17.0 |
| | 70 | 155.6 | 8.6 | 189.1 | 10.5 | 220.7 | 12.4 | 264.0 | 15.1 | 301.0 | 17.6 | 306.8 | 18.4 |
| | 75 | 155.6 | 9.4 | 189.1 | 11.5 | 220.7 | 13.6 | 264.0 | 16.6 | 299.1 | 19.2 | 304.9 | 20.1 |
| | 80 | 155.6 | 10.3 | 189.1 | 12.7 | 220.7 | 15.0 | 264.0 | 18.2 | 296.2 | 20.9 | 301.9 | 21.8 |
| | 85 | 155.6 | 11.3 | 189.1 | 13.9 | 220.7 | 16.4 | 264.0 | 20.0 | 291.7 | 22.6 | 297.3 | 23.6 |
| | 90 | 155.6 | 12.4 | 189.1 | 15.2 | 220.7 | 18.0 | 264.0 | 21.9 | 285.1 | 24.2 | 290.5 | 25.3 |
| | 95 | 155.6 | 13.5 | 189.1 | 16.6 | 220.7 | 19.6 | 264.0 | 23.9 | 270.7 | 25.1 | 275.5 | 26.2 |
| 100 | 155.6 | 14.7 | 189.1 | 18.1 | 220.7 | 21.4 | 257.0 | 25.3 | 257.8 | 26.0 | 262.8 | 27.1 | |
| 105 | 155.6 | 15.9 | 189.1 | 19.5 | 220.7 | 23.1 | 234.3 | 24.9 | 241.3 | 26.3 | 245.9 | 27.4 | |
| 110 | 155.6 | 17.0 | 189.1 | 20.9 | 205.6 | 23.0 | 213.5 | 24.3 | 219.9 | 25.6 | 224.1 | 26.7 | |
| 115 | 155.6 | 18.0 | 174.2 | 20.4 | 180.2 | 21.3 | 187.1 | 22.6 | 192.7 | 23.7 | 196.4 | 24.8 | |
| 118 | 149.8 | 17.8 | 156.4 | 18.8 | 161.8 | 19.7 | 168.0 | 20.8 | 173.0 | 21.9 | 176.3 | 22.9 | |
| 125 | 101.6 | 12.6 | 106.1 | 13.3 | 109.8 | 13.9 | 114.0 | 14.7 | 117.4 | 15.5 | 119.7 | 16.2 | |
| 100% | -10 | 141.5 | 5.0 | 171.9 | 6.1 | 200.6 | 7.2 | 240.0 | 8.8 | 281.2 | 10.5 | 320.6 | 12.3 |
| | -5 | 141.5 | 5.3 | 171.9 | 6.5 | 200.6 | 7.7 | 240.0 | 9.3 | 281.2 | 11.2 | 320.6 | 13.0 |
| | 10 | 141.5 | 5.4 | 171.9 | 6.6 | 200.6 | 7.8 | 240.0 | 9.5 | 281.2 | 11.4 | 320.6 | 13.3 |
| | 15 | 141.5 | 5.5 | 171.9 | 6.8 | 200.6 | 8.0 | 240.0 | 9.7 | 281.2 | 11.7 | 320.6 | 13.6 |
| | 20 | 141.5 | 5.6 | 171.9 | 6.9 | 200.6 | 8.2 | 240.0 | 9.9 | 281.2 | 11.9 | 320.3 | 13.9 |
| | 25 | 141.5 | 5.8 | 171.9 | 7.1 | 200.6 | 8.4 | 240.0 | 10.2 | 281.2 | 12.2 | 317.0 | 14.1 |
| | 30 | 141.5 | 5.9 | 171.9 | 7.2 | 200.6 | 8.5 | 240.0 | 10.4 | 281.2 | 12.5 | 313.8 | 14.3 |
| | 35 | 141.5 | 6.0 | 171.9 | 7.4 | 200.6 | 8.8 | 240.0 | 10.7 | 281.2 | 12.8 | 310.9 | 14.5 |
| | 40 | 141.5 | 6.2 | 171.9 | 7.6 | 200.6 | 9.0 | 240.0 | 10.9 | 281.2 | 13.1 | 308.5 | 14.7 |
| | 45 | 141.5 | 6.3 | 171.9 | 7.8 | 200.6 | 9.2 | 240.0 | 11.2 | 281.2 | 13.4 | 306.6 | 15.0 |
| | 50 | 141.5 | 6.5 | 171.9 | 8.0 | 200.6 | 9.4 | 240.0 | 11.5 | 281.2 | 13.8 | 305.1 | 15.3 |
| | 55 | 141.5 | 6.7 | 171.9 | 8.2 | 200.6 | 9.7 | 240.0 | 11.8 | 281.2 | 14.1 | 303.9 | 15.6 |
| | 60 | 141.5 | 6.8 | 171.9 | 8.4 | 200.6 | 9.9 | 240.0 | 12.1 | 281.2 | 14.5 | 303.0 | 16.0 |
| | 65 | 141.5 | 7.0 | 171.9 | 8.7 | 200.6 | 10.2 | 240.0 | 12.5 | 281.2 | 14.9 | 302.0 | 16.4 |
| | 70 | 141.5 | 7.7 | 171.9 | 9.4 | 200.6 | 11.1 | 240.0 | 13.5 | 281.2 | 16.2 | 300.8 | 17.8 |
| | 75 | 141.5 | 8.4 | 171.9 | 10.3 | 200.6 | 12.2 | 240.0 | 14.9 | 281.2 | 17.8 | 298.9 | 19.4 |
| | 80 | 141.5 | 9.2 | 171.9 | 11.3 | 200.6 | 13.4 | 240.0 | 16.3 | 281.2 | 19.6 | 296.0 | 21.1 |
| | 85 | 141.5 | 10.1 | 171.9 | 12.4 | 200.6 | 14.7 | 240.0 | 17.9 | 281.2 | 21.5 | 291.4 | 22.8 |
| | 90 | 141.5 | 11.1 | 171.9 | 13.6 | 200.6 | 16.1 | 240.0 | 19.6 | 279.5 | 23.4 | 284.8 | 24.4 |
| | 95 | 141.5 | 12.1 | 171.9 | 14.9 | 200.6 | 17.6 | 240.0 | 21.4 | 270.3 | 24.7 | 275.5 | 25.8 |
| 100 | 141.5 | 13.2 | 171.9 | 16.2 | 200.6 | 19.1 | 240.0 | 23.3 | 257.8 | 25.6 | 262.8 | 26.7 | |
| 105 | 141.5 | 14.2 | 171.9 | 17.5 | 200.6 | 20.6 | 234.3 | 24.6 | 241.3 | 25.9 | 245.9 | 27.0 | |
| 110 | 141.5 | 15.2 | 171.9 | 18.7 | 200.6 | 22.1 | 213.5 | 24.0 | 219.9 | 25.2 | 224.1 | 26.3 | |
| 115 | 141.5 | 16.1 | 171.9 | 19.8 | 180.2 | 21.0 | 187.1 | 22.2 | 192.7 | 23.4 | 196.4 | 24.4 | |
| 118 | 141.5 | 16.6 | 156.4 | 18.5 | 161.8 | 19.4 | 168.0 | 20.5 | 173.0 | 21.6 | 176.3 | 22.5 | |
| 125 | 101.6 | 12.4 | 106.1 | 13.1 | 109.8 | 13.7 | 114.0 | 14.5 | 117.4 | 15.3 | 119.7 | 16.0 | |

NOTE - Power Input = Compressor + Outdoor Fan Motor.
MBH = 1000 BTUs per hour.

COOLING CAPACITY - TWO MODULE | VRB240H4

| Combination (%) | Outdoor Temperature °F (Dry Bulb) | Indoor Temperature - °F (Dry Bulb / Wet Bulb) | | | | | | | | | | | |
|-----------------|-----------------------------------|---|-------------|------------|-------------|------------|-------------|------------|-------------|------------|-------------|------------|-------------|
| | | 67 / 57 | | 71 / 60 | | 75 / 63 | | 80 / 67 | | 85 / 71 | | 90 / 75 | |
| | | Total Cap. | Power Input | Total Cap. | Power Input | Total Cap. | Power Input | Total Cap. | Power Input | Total Cap. | Power Input | Total Cap. | Power Input |
| | | MBH | kW | MBH | kW | MBH | kW | MBH | kW | MBH | kW | MBH | kW |
| 90% | -10 | 127.3 | 4.4 | 154.7 | 5.4 | 180.5 | 6.4 | 216.0 | 7.8 | 253.1 | 9.3 | 288.5 | 10.9 |
| | -5 | 127.3 | 4.7 | 154.7 | 5.7 | 180.5 | 6.8 | 216.0 | 8.3 | 253.1 | 9.9 | 288.5 | 11.6 |
| | 10 | 127.3 | 4.8 | 154.7 | 5.9 | 180.5 | 6.9 | 216.0 | 8.4 | 253.1 | 10.1 | 288.5 | 11.8 |
| | 15 | 127.3 | 4.9 | 154.7 | 6.0 | 180.5 | 7.1 | 216.0 | 8.6 | 253.1 | 10.3 | 288.5 | 12.1 |
| | 20 | 127.3 | 5.0 | 154.7 | 6.1 | 180.5 | 7.2 | 216.0 | 8.8 | 253.1 | 10.6 | 288.5 | 12.3 |
| | 25 | 127.3 | 5.1 | 154.7 | 6.3 | 180.5 | 7.4 | 216.0 | 9.0 | 253.1 | 10.8 | 288.5 | 12.6 |
| | 30 | 127.3 | 5.2 | 154.7 | 6.4 | 180.5 | 7.6 | 216.0 | 9.2 | 253.1 | 11.1 | 288.5 | 12.9 |
| | 35 | 127.3 | 5.3 | 154.7 | 6.6 | 180.5 | 7.8 | 216.0 | 9.5 | 253.1 | 11.3 | 288.5 | 13.2 |
| | 40 | 127.3 | 5.5 | 154.7 | 6.7 | 180.5 | 7.9 | 216.0 | 9.7 | 253.1 | 11.6 | 288.5 | 13.6 |
| | 45 | 127.3 | 5.6 | 154.7 | 6.9 | 180.5 | 8.1 | 216.0 | 9.9 | 253.1 | 11.9 | 288.5 | 13.9 |
| | 50 | 127.3 | 5.8 | 154.7 | 7.1 | 180.5 | 8.4 | 216.0 | 10.2 | 253.1 | 12.2 | 288.5 | 14.3 |
| | 55 | 127.3 | 5.9 | 154.7 | 7.3 | 180.5 | 8.6 | 216.0 | 10.5 | 253.1 | 12.5 | 288.5 | 14.6 |
| | 60 | 127.3 | 6.1 | 154.7 | 7.5 | 180.5 | 8.8 | 216.0 | 10.7 | 253.1 | 12.9 | 288.5 | 15.0 |
| | 65 | 127.3 | 6.2 | 154.7 | 7.7 | 180.5 | 9.1 | 216.0 | 11.0 | 253.1 | 13.2 | 288.5 | 15.4 |
| | 70 | 127.3 | 6.8 | 154.7 | 8.3 | 180.5 | 9.9 | 216.0 | 12.0 | 253.1 | 14.4 | 288.5 | 16.8 |
| | 75 | 127.3 | 7.5 | 154.7 | 9.2 | 180.5 | 10.8 | 216.0 | 13.2 | 253.1 | 15.8 | 288.5 | 18.4 |
| | 80 | 127.3 | 8.2 | 154.7 | 10.1 | 180.5 | 11.9 | 216.0 | 14.5 | 253.1 | 17.3 | 288.5 | 20.2 |
| | 85 | 127.3 | 9.0 | 154.7 | 11.0 | 180.5 | 13.0 | 216.0 | 15.9 | 253.1 | 19.0 | 285.6 | 22.0 |
| | 90 | 127.3 | 9.8 | 154.7 | 12.1 | 180.5 | 14.3 | 216.0 | 17.4 | 253.1 | 20.8 | 279.1 | 23.5 |
| | 80% | 95 | 127.3 | 10.7 | 154.7 | 13.2 | 180.5 | 15.6 | 216.0 | 19.0 | 253.1 | 22.8 | 275.5 |
| 100 | | 127.3 | 11.7 | 154.7 | 14.4 | 180.5 | 17.0 | 216.0 | 20.7 | 252.7 | 24.7 | 262.8 | 26.3 |
| 105 | | 127.3 | 12.6 | 154.7 | 15.5 | 180.5 | 18.3 | 216.0 | 22.3 | 241.3 | 25.5 | 245.9 | 26.6 |
| 110 | | 127.3 | 13.5 | 154.7 | 16.6 | 180.5 | 19.6 | 213.5 | 23.6 | 219.9 | 24.8 | 224.1 | 25.9 |
| 115 | | 127.3 | 14.3 | 154.7 | 17.6 | 180.2 | 20.7 | 187.1 | 21.9 | 192.7 | 23.0 | 196.4 | 24.0 |
| 118 | | 127.3 | 14.7 | 154.7 | 18.0 | 161.8 | 19.1 | 168.0 | 20.2 | 173.0 | 21.3 | 176.3 | 22.2 |
| 125 | | 101.6 | 12.2 | 106.1 | 12.9 | 109.8 | 13.5 | 114.0 | 14.3 | 117.4 | 15.1 | 119.7 | 15.7 |
| -10 | | 113.2 | 3.9 | 137.6 | 4.7 | 160.5 | 5.6 | 192.0 | 6.8 | 225.0 | 8.2 | 256.5 | 9.5 |
| -5 | | 113.2 | 4.1 | 137.6 | 5.0 | 160.5 | 5.9 | 192.0 | 7.2 | 225.0 | 8.7 | 256.5 | 10.1 |
| 10 | | 113.2 | 4.2 | 137.6 | 5.1 | 160.5 | 6.1 | 192.0 | 7.4 | 225.0 | 8.9 | 256.5 | 10.4 |
| 15 | | 113.2 | 4.3 | 137.6 | 5.3 | 160.5 | 6.2 | 192.0 | 7.6 | 225.0 | 9.1 | 256.5 | 10.6 |
| 20 | | 113.2 | 4.4 | 137.6 | 5.4 | 160.5 | 6.3 | 192.0 | 7.7 | 225.0 | 9.3 | 256.5 | 10.8 |
| 25 | | 113.2 | 4.5 | 137.6 | 5.5 | 160.5 | 6.5 | 192.0 | 7.9 | 225.0 | 9.5 | 256.5 | 11.1 |
| 30 | | 113.2 | 4.6 | 137.6 | 5.6 | 160.5 | 6.6 | 192.0 | 8.1 | 225.0 | 9.7 | 256.5 | 11.3 |
| 35 | | 113.2 | 4.7 | 137.6 | 5.8 | 160.5 | 6.8 | 192.0 | 8.3 | 225.0 | 9.9 | 256.5 | 11.6 |
| 40 | | 113.2 | 4.8 | 137.6 | 5.9 | 160.5 | 7.0 | 192.0 | 8.5 | 225.0 | 10.2 | 256.5 | 11.9 |
| 45 | | 113.2 | 4.9 | 137.6 | 6.0 | 160.5 | 7.1 | 192.0 | 8.7 | 225.0 | 10.4 | 256.5 | 12.2 |
| 50 | | 113.2 | 5.0 | 137.6 | 6.2 | 160.5 | 7.3 | 192.0 | 8.9 | 225.0 | 10.7 | 256.5 | 12.5 |
| 55 | | 113.2 | 5.2 | 137.6 | 6.4 | 160.5 | 7.5 | 192.0 | 9.2 | 225.0 | 11.0 | 256.5 | 12.8 |
| 60 | | 113.2 | 5.3 | 137.6 | 6.5 | 160.5 | 7.7 | 192.0 | 9.4 | 225.0 | 11.3 | 256.5 | 13.2 |
| 65 | 113.2 | 5.5 | 137.6 | 6.7 | 160.5 | 7.9 | 192.0 | 9.7 | 225.0 | 11.6 | 256.5 | 13.5 | |
| 70 | 113.2 | 5.9 | 137.6 | 7.3 | 160.5 | 8.6 | 192.0 | 10.5 | 225.0 | 12.6 | 256.5 | 14.7 | |
| 75 | 113.2 | 6.5 | 137.6 | 8.0 | 160.5 | 9.5 | 192.0 | 11.5 | 225.0 | 13.8 | 256.5 | 16.2 | |
| 80 | 113.2 | 7.2 | 137.6 | 8.8 | 160.5 | 10.4 | 192.0 | 12.7 | 225.0 | 15.2 | 256.5 | 17.7 | |
| 85 | 113.2 | 7.9 | 137.6 | 9.7 | 160.5 | 11.4 | 192.0 | 13.9 | 225.0 | 16.7 | 256.5 | 19.5 | |
| 90 | 113.2 | 8.6 | 137.6 | 10.6 | 160.5 | 12.5 | 192.0 | 15.2 | 225.0 | 18.3 | 256.5 | 21.3 | |
| 95 | 113.2 | 9.4 | 137.6 | 11.6 | 160.5 | 13.7 | 192.0 | 16.6 | 225.0 | 19.9 | 256.5 | 23.3 | |
| 100 | 113.2 | 10.2 | 137.6 | 12.6 | 160.5 | 14.8 | 192.0 | 18.1 | 225.0 | 21.7 | 256.5 | 25.3 | |
| 105 | 113.2 | 11.0 | 137.6 | 13.6 | 160.5 | 16.0 | 192.0 | 19.5 | 225.0 | 23.4 | 245.9 | 26.2 | |
| 110 | 113.2 | 11.8 | 137.6 | 14.5 | 160.5 | 17.2 | 192.0 | 20.9 | 219.9 | 24.5 | 224.1 | 25.6 | |
| 115 | 113.2 | 12.5 | 137.6 | 15.4 | 160.5 | 18.2 | 187.1 | 21.6 | 192.7 | 22.7 | 196.4 | 23.7 | |
| 118 | 113.2 | 12.9 | 137.6 | 15.8 | 160.5 | 18.7 | 168.0 | 19.9 | 173.0 | 21.0 | 176.3 | 21.9 | |
| 125 | 101.6 | 12.0 | 106.1 | 12.7 | 109.8 | 13.3 | 114.0 | 14.1 | 117.4 | 14.8 | 119.7 | 15.5 | |

NOTE - Power Input = Compressor + Outdoor Fan Motor.
MBH = 1000 BTUs per hour.

COOLING CAPACITY - TWO MODULE | VRB240H4

| Combination (%) | Outdoor Temperature °F (Dry Bulb) | Indoor Temperature - °F (Dry Bulb / Wet Bulb) | | | | | | | | | | | |
|-----------------|-----------------------------------|---|-------------|------------|-------------|------------|-------------|------------|-------------|------------|-------------|------------|-------------|
| | | 67 / 57 | | 71 / 60 | | 75 / 63 | | 80 / 67 | | 85 / 71 | | 90 / 75 | |
| | | Total Cap. | Power Input | Total Cap. | Power Input | Total Cap. | Power Input | Total Cap. | Power Input | Total Cap. | Power Input | Total Cap. | Power Input |
| | | MBH | KW | MBH | KW | MBH | KW | MBH | KW | MBH | KW | MBH | KW |
| 70% | -10 | 99.0 | 3.3 | 120.4 | 4.1 | 140.4 | 4.8 | 168.0 | 5.9 | 196.8 | 7.0 | 224.4 | 8.2 |
| | -5 | 99.0 | 3.5 | 120.4 | 4.3 | 140.4 | 5.1 | 168.0 | 6.2 | 196.8 | 7.5 | 224.4 | 8.7 |
| | 10 | 99.0 | 3.6 | 120.4 | 4.4 | 140.4 | 5.2 | 168.0 | 6.4 | 196.8 | 7.6 | 224.4 | 8.9 |
| | 15 | 99.0 | 3.7 | 120.4 | 4.5 | 140.4 | 5.4 | 168.0 | 6.5 | 196.8 | 7.8 | 224.4 | 9.1 |
| | 20 | 99.0 | 3.8 | 120.4 | 4.6 | 140.4 | 5.5 | 168.0 | 6.7 | 196.8 | 8.0 | 224.4 | 9.3 |
| | 25 | 99.0 | 3.9 | 120.4 | 4.7 | 140.4 | 5.6 | 168.0 | 6.8 | 196.8 | 8.2 | 224.4 | 9.5 |
| | 30 | 99.0 | 3.9 | 120.4 | 4.8 | 140.4 | 5.7 | 168.0 | 7.0 | 196.8 | 8.4 | 224.4 | 9.8 |
| | 35 | 99.0 | 4.0 | 120.4 | 5.0 | 140.4 | 5.9 | 168.0 | 7.1 | 196.8 | 8.6 | 224.4 | 10.0 |
| | 40 | 99.0 | 4.1 | 120.4 | 5.1 | 140.4 | 6.0 | 168.0 | 7.3 | 196.8 | 8.8 | 224.4 | 10.2 |
| | 45 | 99.0 | 4.2 | 120.4 | 5.2 | 140.4 | 6.2 | 168.0 | 7.5 | 196.8 | 9.0 | 224.4 | 10.5 |
| | 50 | 99.0 | 4.4 | 120.4 | 5.3 | 140.4 | 6.3 | 168.0 | 7.7 | 196.8 | 9.2 | 224.4 | 10.8 |
| | 55 | 99.0 | 4.5 | 120.4 | 5.5 | 140.4 | 6.5 | 168.0 | 7.9 | 196.8 | 9.5 | 224.4 | 11.1 |
| | 60 | 99.0 | 4.6 | 120.4 | 5.6 | 140.4 | 6.7 | 168.0 | 8.1 | 196.8 | 9.7 | 224.4 | 11.4 |
| | 65 | 99.0 | 4.7 | 120.4 | 5.8 | 140.4 | 6.8 | 168.0 | 8.3 | 196.8 | 10.0 | 224.4 | 11.7 |
| | 70 | 99.0 | 5.1 | 120.4 | 6.3 | 140.4 | 7.4 | 168.0 | 9.1 | 196.8 | 10.9 | 224.4 | 12.7 |
| | 75 | 99.0 | 5.6 | 120.4 | 6.9 | 140.4 | 8.2 | 168.0 | 10.0 | 196.8 | 11.9 | 224.4 | 13.9 |
| | 80 | 99.0 | 6.2 | 120.4 | 7.6 | 140.4 | 9.0 | 168.0 | 10.9 | 196.8 | 13.1 | 224.4 | 15.3 |
| | 85 | 99.0 | 6.8 | 120.4 | 8.3 | 140.4 | 9.8 | 168.0 | 12.0 | 196.8 | 14.4 | 224.4 | 16.8 |
| | 90 | 99.0 | 7.4 | 120.4 | 9.1 | 140.4 | 10.8 | 168.0 | 13.1 | 196.8 | 15.7 | 224.4 | 18.4 |
| | 95 | 99.0 | 8.1 | 120.4 | 10.0 | 140.4 | 11.8 | 168.0 | 14.4 | 196.8 | 17.2 | 224.4 | 20.1 |
| | 100 | 99.0 | 8.8 | 120.4 | 10.8 | 140.4 | 12.8 | 168.0 | 15.6 | 196.8 | 18.7 | 224.4 | 21.8 |
| 105 | 99.0 | 9.5 | 120.4 | 11.7 | 140.4 | 13.8 | 168.0 | 16.9 | 196.8 | 20.2 | 224.4 | 23.6 | |
| 110 | 99.0 | 10.2 | 120.4 | 12.5 | 140.4 | 14.8 | 168.0 | 18.0 | 196.8 | 21.6 | 224.1 | 25.2 | |
| 115 | 99.0 | 10.8 | 120.4 | 13.3 | 140.4 | 15.7 | 168.0 | 19.1 | 192.7 | 22.4 | 196.4 | 23.4 | |
| 118 | 99.0 | 11.1 | 120.4 | 13.6 | 140.4 | 16.1 | 168.0 | 19.6 | 173.0 | 20.7 | 176.3 | 21.6 | |
| 125 | 95.5 | 11.2 | 106.1 | 12.5 | 109.8 | 13.1 | 114.0 | 13.9 | 117.4 | 14.6 | 119.7 | 15.3 | |
| 60% | -10 | 84.9 | 2.8 | 103.2 | 3.5 | 120.4 | 4.1 | 144.0 | 5.0 | 168.7 | 6.0 | 192.4 | 6.9 |
| | -5 | 84.9 | 3.0 | 103.2 | 3.7 | 120.4 | 4.3 | 144.0 | 5.3 | 168.7 | 6.3 | 192.4 | 7.4 |
| | 10 | 84.9 | 3.0 | 103.2 | 3.7 | 120.4 | 4.4 | 144.0 | 5.4 | 168.7 | 6.5 | 192.4 | 7.5 |
| | 15 | 84.9 | 3.1 | 103.2 | 3.8 | 120.4 | 4.5 | 144.0 | 5.5 | 168.7 | 6.6 | 192.4 | 7.7 |
| | 20 | 84.9 | 3.2 | 103.2 | 3.9 | 120.4 | 4.6 | 144.0 | 5.6 | 168.7 | 6.7 | 192.4 | 7.9 |
| | 25 | 84.9 | 3.3 | 103.2 | 4.0 | 120.4 | 4.7 | 144.0 | 5.8 | 168.7 | 6.9 | 192.4 | 8.1 |
| | 30 | 84.9 | 3.3 | 103.2 | 4.1 | 120.4 | 4.8 | 144.0 | 5.9 | 168.7 | 7.1 | 192.4 | 8.2 |
| | 35 | 84.9 | 3.4 | 103.2 | 4.2 | 120.4 | 5.0 | 144.0 | 6.0 | 168.7 | 7.2 | 192.4 | 8.4 |
| | 40 | 84.9 | 3.5 | 103.2 | 4.3 | 120.4 | 5.1 | 144.0 | 6.2 | 168.7 | 7.4 | 192.4 | 8.7 |
| | 45 | 84.9 | 3.6 | 103.2 | 4.4 | 120.4 | 5.2 | 144.0 | 6.3 | 168.7 | 7.6 | 192.4 | 8.9 |
| | 50 | 84.9 | 3.7 | 103.2 | 4.5 | 120.4 | 5.3 | 144.0 | 6.5 | 168.7 | 7.8 | 192.4 | 9.1 |
| | 55 | 84.9 | 3.8 | 103.2 | 4.6 | 120.4 | 5.5 | 144.0 | 6.7 | 168.7 | 8.0 | 192.4 | 9.3 |
| | 60 | 84.9 | 3.9 | 103.2 | 4.8 | 120.4 | 5.6 | 144.0 | 6.9 | 168.7 | 8.2 | 192.4 | 9.6 |
| | 65 | 84.9 | 4.0 | 103.2 | 4.9 | 120.4 | 5.8 | 144.0 | 7.0 | 168.7 | 8.4 | 192.4 | 9.9 |
| | 70 | 84.9 | 4.3 | 103.2 | 5.3 | 120.4 | 6.3 | 144.0 | 7.7 | 168.7 | 9.2 | 192.4 | 10.7 |
| | 75 | 84.9 | 4.8 | 103.2 | 5.8 | 120.4 | 6.9 | 144.0 | 8.4 | 168.7 | 10.1 | 192.4 | 11.8 |
| | 80 | 84.9 | 5.2 | 103.2 | 6.4 | 120.4 | 7.6 | 144.0 | 9.2 | 168.7 | 11.1 | 192.4 | 12.9 |
| | 85 | 84.9 | 5.7 | 103.2 | 7.0 | 120.4 | 8.3 | 144.0 | 10.1 | 168.7 | 12.1 | 192.4 | 14.2 |
| | 90 | 84.9 | 6.3 | 103.2 | 7.7 | 120.4 | 9.1 | 144.0 | 11.1 | 168.7 | 13.3 | 192.4 | 15.5 |
| | 95 | 84.9 | 6.9 | 103.2 | 8.4 | 120.4 | 10.0 | 144.0 | 12.1 | 168.7 | 14.5 | 192.4 | 17.0 |
| | 100 | 84.9 | 7.5 | 103.2 | 9.2 | 120.4 | 10.8 | 144.0 | 13.2 | 168.7 | 15.8 | 192.4 | 18.4 |
| 105 | 84.9 | 8.1 | 103.2 | 9.9 | 120.4 | 11.7 | 144.0 | 14.2 | 168.7 | 17.1 | 192.4 | 19.9 | |
| 110 | 84.9 | 8.6 | 103.2 | 10.6 | 120.4 | 12.5 | 144.0 | 15.2 | 168.7 | 18.3 | 192.4 | 21.3 | |
| 115 | 84.9 | 9.1 | 103.2 | 11.2 | 120.4 | 13.2 | 144.0 | 16.1 | 168.7 | 19.3 | 192.4 | 22.6 | |
| 118 | 84.9 | 9.4 | 103.2 | 11.5 | 120.4 | 13.6 | 144.0 | 16.6 | 168.7 | 19.9 | 176.3 | 21.3 | |
| 125 | 84.9 | 9.8 | 103.2 | 12.0 | 109.8 | 12.9 | 114.0 | 13.7 | 117.4 | 14.4 | 119.7 | 15.0 | |

NOTE - Power Input = Compressor + Outdoor Fan Motor.
MBH = 1000 BTUs per hour.

COOLING CAPACITY - TWO MODULE | VRB240H4

| Combination (%) | Outdoor Temperature °F (Dry Bulb) | Indoor Temperature - °F (Dry Bulb / Wet Bulb) | | | | | | | | | | | |
|-----------------|-----------------------------------|---|-------------|------------|-------------|------------|-------------|------------|-------------|------------|-------------|------------|-------------|
| | | 67 / 57 | | 71 / 60 | | 75 / 63 | | 80 / 67 | | 85 / 71 | | 90 / 75 | |
| | | Total Cap. | Power Input | Total Cap. | Power Input | Total Cap. | Power Input | Total Cap. | Power Input | Total Cap. | Power Input | Total Cap. | Power Input |
| | | MBH | kW | MBH | kW | MBH | kW | MBH | kW | MBH | kW | MBH | kW |
| 50% | -10 | 65.3 | 2.1 | 86.0 | 2.8 | 100.3 | 3.3 | 120.0 | 4.1 | 140.6 | 4.9 | 160.3 | 5.7 |
| | -5 | 70.7 | 2.5 | 86.0 | 3.0 | 100.3 | 3.6 | 120.0 | 4.3 | 140.6 | 5.2 | 160.3 | 6.1 |
| | 10 | 70.7 | 2.5 | 86.0 | 3.1 | 100.3 | 3.6 | 120.0 | 4.4 | 140.6 | 5.3 | 160.3 | 6.2 |
| | 15 | 70.7 | 2.6 | 86.0 | 3.1 | 100.3 | 3.7 | 120.0 | 4.5 | 140.6 | 5.4 | 160.3 | 6.3 |
| | 20 | 70.7 | 2.6 | 86.0 | 3.2 | 100.3 | 3.8 | 120.0 | 4.6 | 140.6 | 5.5 | 160.3 | 6.5 |
| | 25 | 70.7 | 2.7 | 86.0 | 3.3 | 100.3 | 3.9 | 120.0 | 4.7 | 140.6 | 5.7 | 160.3 | 6.6 |
| | 30 | 70.7 | 2.7 | 86.0 | 3.4 | 100.3 | 4.0 | 120.0 | 4.8 | 140.6 | 5.8 | 160.3 | 6.8 |
| | 35 | 70.7 | 2.8 | 86.0 | 3.4 | 100.3 | 4.1 | 120.0 | 5.0 | 140.6 | 5.9 | 160.3 | 6.9 |
| | 40 | 70.7 | 2.9 | 86.0 | 3.5 | 100.3 | 4.2 | 120.0 | 5.1 | 140.6 | 6.1 | 160.3 | 7.1 |
| | 45 | 70.7 | 2.9 | 86.0 | 3.6 | 100.3 | 4.3 | 120.0 | 5.2 | 140.6 | 6.2 | 160.3 | 7.3 |
| | 50 | 70.7 | 3.0 | 86.0 | 3.7 | 100.3 | 4.4 | 120.0 | 5.3 | 140.6 | 6.4 | 160.3 | 7.5 |
| | 55 | 70.7 | 3.1 | 86.0 | 3.8 | 100.3 | 4.5 | 120.0 | 5.5 | 140.6 | 6.6 | 160.3 | 7.7 |
| | 60 | 70.7 | 3.2 | 86.0 | 3.9 | 100.3 | 4.6 | 120.0 | 5.6 | 140.6 | 6.7 | 160.3 | 7.9 |
| | 65 | 70.7 | 3.3 | 86.0 | 4.0 | 100.3 | 4.8 | 120.0 | 5.8 | 140.6 | 6.9 | 160.3 | 8.1 |
| | 70 | 70.7 | 3.6 | 86.0 | 4.4 | 100.3 | 5.2 | 120.0 | 6.3 | 140.6 | 7.5 | 160.3 | 8.8 |
| | 75 | 70.7 | 3.9 | 86.0 | 4.8 | 100.3 | 5.7 | 120.0 | 6.9 | 140.6 | 8.3 | 160.3 | 9.7 |
| | 80 | 70.7 | 4.3 | 86.0 | 5.3 | 100.3 | 6.2 | 120.0 | 7.6 | 140.6 | 9.1 | 160.3 | 10.6 |
| | 85 | 70.7 | 4.7 | 86.0 | 5.8 | 100.3 | 6.8 | 120.0 | 8.3 | 140.6 | 10.0 | 160.3 | 11.7 |
| 90 | 70.7 | 5.2 | 86.0 | 6.3 | 100.3 | 7.5 | 120.0 | 9.1 | 140.6 | 10.9 | 160.3 | 12.8 | |
| 95 | 70.7 | 5.6 | 86.0 | 6.9 | 100.3 | 8.2 | 120.0 | 10.0 | 140.6 | 11.9 | 160.3 | 13.9 | |
| 100 | 70.7 | 6.1 | 86.0 | 7.5 | 100.3 | 8.9 | 120.0 | 10.8 | 140.6 | 13.0 | 160.3 | 15.2 | |
| 105 | 70.7 | 6.6 | 86.0 | 8.1 | 100.3 | 9.6 | 120.0 | 11.7 | 140.6 | 14.0 | 160.3 | 16.4 | |
| 110 | 70.7 | 7.1 | 86.0 | 8.7 | 100.3 | 10.3 | 120.0 | 12.5 | 140.6 | 15.0 | 160.3 | 17.5 | |
| 115 | 70.7 | 7.5 | 86.0 | 9.2 | 100.3 | 10.9 | 120.0 | 13.2 | 140.6 | 15.9 | 160.3 | 18.5 | |
| 118 | 70.7 | 7.7 | 86.0 | 9.5 | 100.3 | 11.2 | 120.0 | 13.6 | 140.6 | 16.3 | 160.3 | 19.1 | |
| 125 | 70.7 | 8.0 | 86.0 | 9.9 | 100.3 | 11.7 | 114.0 | 13.5 | 117.4 | 14.2 | 119.7 | 14.8 | |

NOTE - Power Input = Compressor + Outdoor Fan Motor.
 MBH = 1000 BTUs per hour.

HEATING CAPACITY - TWO MODULE | VRB240H4

| Combination (%) | Outdoor Temperature (°F) | | Indoor Temperature - °F Dry Bulb | | | | | | | | | | | | | | | |
|-----------------|--------------------------|----------|----------------------------------|-------------|------------|-------------|------------|-------------|------------|-------------|------------|-------------|------------|-------------|--|--|--|--|
| | | | 61 | | 64 | | 67 | | 70 | | 73 | | 75 | | | | | |
| | | | Total Cap. | Power Input | Total Cap. | Power Input | Total Cap. | Power Input | Total Cap. | Power Input | Total Cap. | Power Input | Total Cap. | Power Input | | | | |
| | MBH | kW | MBH | kW | MBH | kW | MBH | kW | MBH | kW | MBH | kW | | | | | | |
| 130% | Dry Bulb | Wet Bulb | | | | | | | | | | | | | | | | |
| | | | | | | | | | | | | | | | | | | |
| | | | | | | | | | | | | | | | | | | |
| | | | | | | | | | | | | | | | | | | |
| | | | | | | | | | | | | | | | | | | |
| | | | | | | | | | | | | | | | | | | |
| | | | | | | | | | | | | | | | | | | |
| | | | | | | | | | | | | | | | | | | |
| | | | | | | | | | | | | | | | | | | |
| | | | | | | | | | | | | | | | | | | |
| | | | | | | | | | | | | | | | | | | |
| | | | | | | | | | | | | | | | | | | |
| | | | | | | | | | | | | | | | | | | |
| | | | | | | | | | | | | | | | | | | |
| | | | | | | | | | | | | | | | | | | |
| | | | | | | | | | | | | | | | | | | |
| | | | | | | | | | | | | | | | | | | |
| | 120% | | | | | | | | | | | | | | | | | |
| | | | | | | | | | | | | | | | | | | |
| | | | | | | | | | | | | | | | | | | |
| | | | | | | | | | | | | | | | | | | |
| | | | | | | | | | | | | | | | | | | |
| | | | | | | | | | | | | | | | | | | |
| | | | | | | | | | | | | | | | | | | |
| | | | | | | | | | | | | | | | | | | |
| | | | | | | | | | | | | | | | | | | |
| | | | | | | | | | | | | | | | | | | |
| | | | | | | | | | | | | | | | | | | |
| | | | | | | | | | | | | | | | | | | |
| | | | | | | | | | | | | | | | | | | |
| | | | | | | | | | | | | | | | | | | |
| | | | | | | | | | | | | | | | | | | |
| | | | | | | | | | | | | | | | | | | |
| | | | | | | | | | | | | | | | | | | |
| | | | | | | | | | | | | | | | | | | |
| 110% | | | | | | | | | | | | | | | | | | |
| | | | | | | | | | | | | | | | | | | |
| | | | | | | | | | | | | | | | | | | |
| | | | | | | | | | | | | | | | | | | |
| | | | | | | | | | | | | | | | | | | |
| | | | | | | | | | | | | | | | | | | |
| | | | | | | | | | | | | | | | | | | |
| | | | | | | | | | | | | | | | | | | |
| | | | | | | | | | | | | | | | | | | |
| | | | | | | | | | | | | | | | | | | |
| | | | | | | | | | | | | | | | | | | |
| | | | | | | | | | | | | | | | | | | |
| | | | | | | | | | | | | | | | | | | |
| | | | | | | | | | | | | | | | | | | |
| | | | | | | | | | | | | | | | | | | |
| | | | | | | | | | | | | | | | | | | |
| | | | | | | | | | | | | | | | | | | |
| | | | | | | | | | | | | | | | | | | |
| | | | | | | | | | | | | | | | | | | |

NOTE - Power Input = Compressor + Outdoor Fan Motor.
 MBH = 1000 BTUs per hour.

COOLING CAPACITY - TWO MODULE | VRB264H4

| Combination (%) | Outdoor Temperature °F (Dry Bulb) | Indoor Temperature - °F (Dry Bulb / Wet Bulb) | | | | | | | | | | | |
|-----------------|-----------------------------------|---|-------------|------------|-------------|------------|-------------|--------------|-------------|------------|-------------|------------|-------------|
| | | 67 / 57 | | 71 / 60 | | 75 / 63 | | 80 / 67 | | 85 / 71 | | 90 / 75 | |
| | | Total Cap. | Power Input | Total Cap. | Power Input | Total Cap. | Power Input | Total Cap. | Power Input | Total Cap. | Power Input | Total Cap. | Power Input |
| | | MBH | KW | MBH | KW | MBH | KW | MBH | KW | MBH | KW | MBH | KW |
| 110% | -10 | 171.2 | 5.9 | 208.0 | 7.3 | 242.7 | 8.6 | 290.4 | 10.5 | 340.2 | 12.6 | 387.9 | 14.7 |
| | -5 | 171.2 | 6.3 | 208.0 | 7.8 | 242.7 | 9.2 | 290.4 | 11.2 | 340.2 | 13.4 | 387.9 | 15.6 |
| | 10 | 171.2 | 6.5 | 208.0 | 7.9 | 242.7 | 9.4 | 290.4 | 11.4 | 340.2 | 13.7 | 387.9 | 16.0 |
| | 15 | 171.2 | 6.6 | 208.0 | 8.1 | 242.7 | 9.6 | 290.4 | 11.7 | 340.2 | 14.0 | 387.8 | 16.3 |
| | 20 | 171.2 | 6.7 | 208.0 | 8.3 | 242.7 | 9.8 | 290.4 | 11.9 | 340.2 | 14.3 | 383.8 | 16.5 |
| | 25 | 171.2 | 6.9 | 208.0 | 8.5 | 242.7 | 10.0 | 290.4 | 12.2 | 340.2 | 14.6 | 379.5 | 16.7 |
| | 30 | 171.2 | 7.1 | 208.0 | 8.7 | 242.7 | 10.2 | 290.4 | 12.5 | 340.2 | 15.0 | 375.4 | 16.9 |
| | 35 | 171.2 | 7.2 | 208.0 | 8.9 | 242.7 | 10.5 | 290.4 | 12.8 | 340.2 | 15.3 | 371.5 | 17.2 |
| | 40 | 171.2 | 7.4 | 208.0 | 9.1 | 242.7 | 10.7 | 290.4 | 13.1 | 340.2 | 15.7 | 368.9 | 17.5 |
| | 45 | 171.2 | 7.6 | 208.0 | 9.3 | 242.7 | 11.0 | 290.4 | 13.4 | 340.2 | 16.1 | 367.9 | 17.8 |
| | 50 | 171.2 | 7.8 | 208.0 | 9.6 | 242.7 | 11.3 | 290.4 | 13.8 | 340.2 | 16.5 | 366.3 | 18.2 |
| | 55 | 171.2 | 8.0 | 208.0 | 9.8 | 242.7 | 11.6 | 290.4 | 14.1 | 340.2 | 16.9 | 365.5 | 18.7 |
| | 60 | 171.2 | 8.2 | 208.0 | 10.1 | 242.7 | 11.9 | 290.4 | 14.5 | 338.2 | 17.3 | 365.1 | 19.1 |
| | 65 | 171.2 | 8.4 | 208.0 | 10.4 | 242.7 | 12.2 | 290.4 | 14.9 | 336.7 | 17.7 | 364.9 | 19.7 |
| | 70 | 171.2 | 9.2 | 208.0 | 11.3 | 242.7 | 13.3 | 290.4 | 16.2 | 336.1 | 19.2 | 364.6 | 21.4 |
| | 75 | 171.2 | 10.1 | 208.0 | 12.4 | 242.7 | 14.6 | 290.4 | 17.8 | 335.2 | 21.0 | 363.8 | 23.4 |
| | 80 | 171.2 | 11.1 | 208.0 | 13.6 | 242.7 | 16.1 | 290.4 | 19.6 | 333.7 | 23.0 | 362.0 | 25.6 |
| | 85 | 171.2 | 12.1 | 208.0 | 14.9 | 242.7 | 17.6 | 290.4 | 21.5 | 331.4 | 25.1 | 358.5 | 27.8 |
| | 90 | 171.2 | 13.3 | 208.0 | 16.3 | 242.7 | 19.3 | 290.4 | 23.5 | 328.1 | 27.2 | 352.7 | 30.0 |
| | 95 | 171.2 | 14.5 | 208.0 | 17.9 | 242.7 | 21.1 | 290.4 | 25.7 | 320.9 | 29.1 | 336.9 | 31.3 |
| 100 | 171.2 | 15.8 | 208.0 | 19.4 | 242.7 | 22.9 | 286.9 | 27.6 | 314.5 | 31.0 | 324.2 | 32.7 | |
| 105 | 171.2 | 17.1 | 208.0 | 21.0 | 242.7 | 24.7 | 275.6 | 28.7 | 300.7 | 32.0 | 306.5 | 33.4 | |
| 110 | 171.2 | 18.2 | 208.0 | 22.4 | 235.2 | 25.7 | 265.2 | 29.6 | 277.5 | 31.6 | 282.8 | 33.0 | |
| 115 | 171.2 | 19.3 | 200.6 | 22.9 | 222.5 | 25.8 | 240.2 | 28.3 | 247.3 | 29.8 | 252.1 | 31.1 | |
| 118 | 168.3 | 19.5 | 191.7 | 22.5 | 210.4 | 25.1 | 218.6 | 26.5 | 225.0 | 27.9 | 229.4 | 29.1 | |
| 125 | 139.5 | 17.0 | 145.6 | 17.9 | 150.7 | 18.7 | 156.5 | 19.8 | 161.1 | 20.9 | 164.2 | 21.8 | |
| 100% | -10 | 155.6 | 5.3 | 189.1 | 6.5 | 220.7 | 7.7 | 264.0 | 9.4 | 309.3 | 11.3 | 352.7 | 13.2 |
| | -5 | 155.6 | 5.7 | 189.1 | 7.0 | 220.7 | 8.2 | 264.0 | 10.0 | 309.3 | 12.0 | 352.7 | 14.0 |
| | 10 | 155.6 | 5.8 | 189.1 | 7.1 | 220.7 | 8.4 | 264.0 | 10.2 | 309.3 | 12.3 | 352.7 | 14.3 |
| | 15 | 155.6 | 5.9 | 189.1 | 7.3 | 220.7 | 8.6 | 264.0 | 10.5 | 309.3 | 12.5 | 352.7 | 14.6 |
| | 20 | 155.6 | 6.0 | 189.1 | 7.4 | 220.7 | 8.8 | 264.0 | 10.7 | 309.3 | 12.8 | 352.5 | 14.9 |
| | 25 | 155.6 | 6.2 | 189.1 | 7.6 | 220.7 | 9.0 | 264.0 | 10.9 | 309.3 | 13.1 | 350.8 | 15.2 |
| | 30 | 155.6 | 6.3 | 189.1 | 7.8 | 220.7 | 9.2 | 264.0 | 11.2 | 309.3 | 13.4 | 349.3 | 15.5 |
| | 35 | 155.6 | 6.5 | 189.1 | 8.0 | 220.7 | 9.4 | 264.0 | 11.4 | 309.3 | 13.7 | 347.8 | 15.8 |
| | 40 | 155.6 | 6.6 | 189.1 | 8.2 | 220.7 | 9.6 | 264.0 | 11.7 | 309.3 | 14.1 | 346.6 | 16.1 |
| | 45 | 155.6 | 6.8 | 189.1 | 8.4 | 220.7 | 9.9 | 264.0 | 12.0 | 309.3 | 14.4 | 345.6 | 16.5 |
| | 50 | 155.6 | 7.0 | 189.1 | 8.6 | 220.7 | 10.1 | 264.0 | 12.3 | 309.3 | 14.8 | 344.9 | 16.9 |
| | 55 | 155.6 | 7.2 | 189.1 | 8.8 | 220.7 | 10.4 | 264.0 | 12.7 | 309.3 | 15.2 | 344.3 | 17.3 |
| | 60 | 155.6 | 7.4 | 189.1 | 9.0 | 220.7 | 10.7 | 264.0 | 13.0 | 309.3 | 15.6 | 343.9 | 17.8 |
| | 65 | 155.6 | 7.6 | 189.1 | 9.3 | 220.7 | 11.0 | 264.0 | 13.4 | 309.3 | 16.0 | 343.4 | 18.2 |
| | 70 | 155.6 | 8.2 | 189.1 | 10.1 | 220.7 | 11.9 | 264.0 | 14.5 | 309.3 | 17.4 | 342.8 | 19.8 |
| | 75 | 155.6 | 9.0 | 189.1 | 11.1 | 220.7 | 13.1 | 264.0 | 16.0 | 309.3 | 19.1 | 341.8 | 21.7 |
| | 80 | 155.6 | 9.9 | 189.1 | 12.2 | 220.7 | 14.4 | 264.0 | 17.5 | 309.3 | 21.0 | 340.3 | 23.7 |
| | 85 | 155.6 | 10.9 | 189.1 | 13.4 | 220.7 | 15.8 | 264.0 | 19.2 | 309.3 | 23.0 | 338.1 | 25.8 |
| | 90 | 155.6 | 11.9 | 189.1 | 14.6 | 220.7 | 17.3 | 264.0 | 21.1 | 308.5 | 25.2 | 334.8 | 28.0 |
| | 95 | 155.6 | 13.0 | 189.1 | 16.0 | 220.7 | 18.9 | 264.0 | 23.0 | 303.9 | 27.1 | 330.1 | 30.2 |
| 100 | 155.6 | 14.1 | 189.1 | 17.4 | 220.7 | 20.5 | 264.0 | 25.0 | 297.6 | 28.9 | 323.8 | 32.2 | |
| 105 | 155.6 | 15.3 | 189.1 | 18.8 | 220.7 | 22.2 | 261.2 | 26.7 | 289.4 | 30.3 | 306.5 | 32.9 | |
| 110 | 155.6 | 16.3 | 189.1 | 20.1 | 220.7 | 23.7 | 250.8 | 27.5 | 277.5 | 31.2 | 282.8 | 32.5 | |
| 115 | 155.6 | 17.3 | 189.1 | 21.2 | 210.5 | 24.0 | 237.6 | 27.6 | 247.3 | 29.4 | 252.1 | 30.7 | |
| 118 | 155.6 | 17.8 | 181.3 | 21.0 | 201.2 | 23.6 | 218.6 | 26.1 | 225.0 | 27.5 | 229.4 | 28.7 | |
| 125 | 135.7 | 16.2 | 145.6 | 17.6 | 150.7 | 18.5 | 156.5 | 19.5 | 161.1 | 20.6 | 164.2 | 21.5 | |

NOTE - Power Input = Compressor + Outdoor Fan Motor.
MBH = 1000 BTUs per hour.

COOLING CAPACITY - TWO MODULE | VRB264H4

| Combination (%) | Outdoor Temperature °F (Dry Bulb) | Indoor Temperature - °F (Dry Bulb / Wet Bulb) | | | | | | | | | | | |
|-----------------|-----------------------------------|---|-------------|------------|-------------|------------|-------------|------------|-------------|------------|-------------|------------|-------------|
| | | 67 / 57 | | 71 / 60 | | 75 / 63 | | 80 / 67 | | 85 / 71 | | 90 / 75 | |
| | | Total Cap. | Power Input | Total Cap. | Power Input | Total Cap. | Power Input | Total Cap. | Power Input | Total Cap. | Power Input | Total Cap. | Power Input |
| | | MBH | KW | MBH | KW | MBH | KW | MBH | KW | MBH | KW | MBH | KW |
| 70% | -10 | 108.9 | 3.6 | 132.4 | 4.4 | 154.5 | 5.2 | 184.8 | 6.3 | 216.5 | 7.6 | 246.9 | 8.8 |
| | -5 | 108.9 | 3.8 | 132.4 | 4.7 | 154.5 | 5.5 | 184.8 | 6.7 | 216.5 | 8.0 | 246.9 | 9.4 |
| | 10 | 108.9 | 3.9 | 132.4 | 4.8 | 154.5 | 5.6 | 184.8 | 6.9 | 216.5 | 8.2 | 246.9 | 9.6 |
| | 15 | 108.9 | 4.0 | 132.4 | 4.9 | 154.5 | 5.7 | 184.8 | 7.0 | 216.5 | 8.4 | 246.9 | 9.8 |
| | 20 | 108.9 | 4.0 | 132.4 | 5.0 | 154.5 | 5.9 | 184.8 | 7.2 | 216.5 | 8.6 | 246.9 | 10.0 |
| | 25 | 108.9 | 4.1 | 132.4 | 5.1 | 154.5 | 6.0 | 184.8 | 7.3 | 216.5 | 8.8 | 246.9 | 10.2 |
| | 30 | 108.9 | 4.2 | 132.4 | 5.2 | 154.5 | 6.1 | 184.8 | 7.5 | 216.5 | 9.0 | 246.9 | 10.5 |
| | 35 | 108.9 | 4.3 | 132.4 | 5.3 | 154.5 | 6.3 | 184.8 | 7.7 | 216.5 | 9.2 | 246.9 | 10.7 |
| | 40 | 108.9 | 4.4 | 132.4 | 5.5 | 154.5 | 6.4 | 184.8 | 7.9 | 216.5 | 9.4 | 246.9 | 11.0 |
| | 45 | 108.9 | 4.6 | 132.4 | 5.6 | 154.5 | 6.6 | 184.8 | 8.1 | 216.5 | 9.6 | 246.9 | 11.3 |
| | 50 | 108.9 | 4.7 | 132.4 | 5.7 | 154.5 | 6.8 | 184.8 | 8.3 | 216.5 | 9.9 | 246.9 | 11.6 |
| | 55 | 108.9 | 4.8 | 132.4 | 5.9 | 154.5 | 7.0 | 184.8 | 8.5 | 216.5 | 10.2 | 246.9 | 11.9 |
| | 60 | 108.9 | 4.9 | 132.4 | 6.1 | 154.5 | 7.1 | 184.8 | 8.7 | 216.5 | 10.4 | 246.9 | 12.2 |
| | 65 | 108.9 | 5.1 | 132.4 | 6.2 | 154.5 | 7.3 | 184.8 | 9.0 | 216.5 | 10.7 | 246.9 | 12.5 |
| | 70 | 108.9 | 5.5 | 132.4 | 6.8 | 154.5 | 8.0 | 184.8 | 9.7 | 216.5 | 11.7 | 246.9 | 13.6 |
| | 75 | 108.9 | 6.0 | 132.4 | 7.4 | 154.5 | 8.8 | 184.8 | 10.7 | 216.5 | 12.8 | 246.9 | 15.0 |
| | 80 | 108.9 | 6.6 | 132.4 | 8.2 | 154.5 | 9.6 | 184.8 | 11.7 | 216.5 | 14.1 | 246.9 | 16.4 |
| | 85 | 108.9 | 7.3 | 132.4 | 9.0 | 154.5 | 10.6 | 184.8 | 12.9 | 216.5 | 15.4 | 246.9 | 18.0 |
| | 90 | 108.9 | 8.0 | 132.4 | 9.8 | 154.5 | 11.6 | 184.8 | 14.1 | 216.5 | 16.9 | 246.9 | 19.7 |
| | 95 | 108.9 | 8.7 | 132.4 | 10.7 | 154.5 | 12.6 | 184.8 | 15.4 | 216.5 | 18.5 | 246.9 | 21.6 |
| | 100 | 108.9 | 9.5 | 132.4 | 11.6 | 154.5 | 13.7 | 184.8 | 16.8 | 216.5 | 20.1 | 246.9 | 23.4 |
| | 105 | 108.9 | 10.2 | 132.4 | 12.6 | 154.5 | 14.8 | 184.8 | 18.1 | 216.5 | 21.7 | 246.9 | 25.3 |
| 110 | 108.9 | 10.9 | 132.4 | 13.5 | 154.5 | 15.9 | 184.8 | 19.4 | 216.5 | 23.2 | 246.7 | 27.1 | |
| 115 | 108.9 | 11.6 | 132.4 | 14.2 | 154.5 | 16.8 | 184.8 | 20.5 | 214.5 | 24.3 | 232.9 | 27.1 | |
| 118 | 108.9 | 11.9 | 132.4 | 14.6 | 154.5 | 17.3 | 184.8 | 21.1 | 204.6 | 23.9 | 222.8 | 26.7 | |
| 125 | 107.2 | 12.2 | 125.3 | 14.5 | 139.2 | 16.3 | 156.5 | 18.7 | 161.1 | 19.7 | 164.2 | 20.5 | |
| 60% | -10 | 93.4 | 3.0 | 113.5 | 3.7 | 132.4 | 4.4 | 158.4 | 5.3 | 185.6 | 6.4 | 211.6 | 7.5 |
| | -5 | 93.4 | 3.2 | 113.5 | 3.9 | 132.4 | 4.6 | 158.4 | 5.7 | 185.6 | 6.8 | 211.6 | 7.9 |
| | 10 | 93.4 | 3.3 | 113.5 | 4.0 | 132.4 | 4.8 | 158.4 | 5.8 | 185.6 | 6.9 | 211.6 | 8.1 |
| | 15 | 93.4 | 3.3 | 113.5 | 4.1 | 132.4 | 4.9 | 158.4 | 5.9 | 185.6 | 7.1 | 211.6 | 8.3 |
| | 20 | 93.4 | 3.4 | 113.5 | 4.2 | 132.4 | 5.0 | 158.4 | 6.0 | 185.6 | 7.2 | 211.6 | 8.5 |
| | 25 | 93.4 | 3.5 | 113.5 | 4.3 | 132.4 | 5.1 | 158.4 | 6.2 | 185.6 | 7.4 | 211.6 | 8.7 |
| | 30 | 93.4 | 3.6 | 113.5 | 4.4 | 132.4 | 5.2 | 158.4 | 6.3 | 185.6 | 7.6 | 211.6 | 8.9 |
| | 35 | 93.4 | 3.7 | 113.5 | 4.5 | 132.4 | 5.3 | 158.4 | 6.5 | 185.6 | 7.8 | 211.6 | 9.1 |
| | 40 | 93.4 | 3.8 | 113.5 | 4.6 | 132.4 | 5.4 | 158.4 | 6.6 | 185.6 | 8.0 | 211.6 | 9.3 |
| | 45 | 93.4 | 3.8 | 113.5 | 4.7 | 132.4 | 5.6 | 158.4 | 6.8 | 185.6 | 8.2 | 211.6 | 9.5 |
| | 50 | 93.4 | 3.9 | 113.5 | 4.9 | 132.4 | 5.7 | 158.4 | 7.0 | 185.6 | 8.4 | 211.6 | 9.8 |
| | 55 | 93.4 | 4.1 | 113.5 | 5.0 | 132.4 | 5.9 | 158.4 | 7.2 | 185.6 | 8.6 | 211.6 | 10.0 |
| | 60 | 93.4 | 4.2 | 113.5 | 5.1 | 132.4 | 6.0 | 158.4 | 7.4 | 185.6 | 8.8 | 211.6 | 10.3 |
| | 65 | 93.4 | 4.3 | 113.5 | 5.3 | 132.4 | 6.2 | 158.4 | 7.6 | 185.6 | 9.1 | 211.6 | 10.6 |
| | 70 | 93.4 | 4.7 | 113.5 | 5.7 | 132.4 | 6.8 | 158.4 | 8.2 | 185.6 | 9.9 | 211.6 | 11.5 |
| | 75 | 93.4 | 5.1 | 113.5 | 6.3 | 132.4 | 7.4 | 158.4 | 9.0 | 185.6 | 10.8 | 211.6 | 12.6 |
| | 80 | 93.4 | 5.6 | 113.5 | 6.9 | 132.4 | 8.1 | 158.4 | 9.9 | 185.6 | 11.9 | 211.6 | 13.9 |
| | 85 | 93.4 | 6.2 | 113.5 | 7.6 | 132.4 | 8.9 | 158.4 | 10.9 | 185.6 | 13.0 | 211.6 | 15.2 |
| | 90 | 93.4 | 6.7 | 113.5 | 8.3 | 132.4 | 9.8 | 158.4 | 11.9 | 185.6 | 14.3 | 211.6 | 16.7 |
| | 95 | 93.4 | 7.4 | 113.5 | 9.1 | 132.4 | 10.7 | 158.4 | 13.0 | 185.6 | 15.6 | 211.6 | 18.2 |
| | 100 | 93.4 | 8.0 | 113.5 | 9.8 | 132.4 | 11.6 | 158.4 | 14.2 | 185.6 | 17.0 | 211.6 | 19.8 |
| | 105 | 93.4 | 8.6 | 113.5 | 10.6 | 132.4 | 12.5 | 158.4 | 15.3 | 185.6 | 18.3 | 211.6 | 21.4 |
| 110 | 93.4 | 9.2 | 113.5 | 11.4 | 132.4 | 13.4 | 158.4 | 16.4 | 185.6 | 19.6 | 211.6 | 22.9 | |
| 115 | 93.4 | 9.8 | 113.5 | 12.0 | 132.4 | 14.2 | 158.4 | 17.3 | 185.6 | 20.7 | 211.6 | 24.2 | |
| 118 | 93.4 | 10.1 | 113.5 | 12.4 | 132.4 | 14.6 | 158.4 | 17.8 | 185.6 | 21.3 | 203.6 | 24.0 | |
| 125 | 93.4 | 10.5 | 113.5 | 12.9 | 127.1 | 14.6 | 143.4 | 16.9 | 159.9 | 19.3 | 164.2 | 20.3 | |

NOTE - Power Input = Compressor + Outdoor Fan Motor.
 MBH = 1000 BTUs per hour.

COOLING CAPACITY - TWO MODULE | VRB264H4

| Combination (%) | Outdoor Temperature °F (Dry Bulb) | Indoor Temperature - °F (Dry Bulb / Wet Bulb) | | | | | | | | | | | |
|-----------------|-----------------------------------|---|-------------|------------|-------------|------------|-------------|------------|-------------|------------|-------------|------------|-------------|
| | | 67 / 57 | | 71 / 60 | | 75 / 63 | | 80 / 67 | | 85 / 71 | | 90 / 75 | |
| | | Total Cap. | Power Input | Total Cap. | Power Input | Total Cap. | Power Input | Total Cap. | Power Input | Total Cap. | Power Input | Total Cap. | Power Input |
| | | MBH | kW | MBH | kW | MBH | kW | MBH | kW | MBH | kW | MBH | kW |
| 50% | -10 | 75.1 | 2.4 | 94.6 | 3.0 | 110.3 | 3.6 | 132.0 | 4.4 | 154.7 | 5.2 | 176.3 | 6.1 |
| | -5 | 77.8 | 2.6 | 94.6 | 3.2 | 110.3 | 3.8 | 132.0 | 4.7 | 154.7 | 5.6 | 176.3 | 6.5 |
| | 10 | 77.8 | 2.7 | 94.6 | 3.3 | 110.3 | 3.9 | 132.0 | 4.8 | 154.7 | 5.7 | 176.3 | 6.7 |
| | 15 | 77.8 | 2.7 | 94.6 | 3.4 | 110.3 | 4.0 | 132.0 | 4.9 | 154.7 | 5.8 | 176.3 | 6.8 |
| | 20 | 77.8 | 2.8 | 94.6 | 3.5 | 110.3 | 4.1 | 132.0 | 5.0 | 154.7 | 6.0 | 176.3 | 6.9 |
| | 25 | 77.8 | 2.9 | 94.6 | 3.5 | 110.3 | 4.2 | 132.0 | 5.1 | 154.7 | 6.1 | 176.3 | 7.1 |
| | 30 | 77.8 | 2.9 | 94.6 | 3.6 | 110.3 | 4.3 | 132.0 | 5.2 | 154.7 | 6.2 | 176.3 | 7.3 |
| | 35 | 77.8 | 3.0 | 94.6 | 3.7 | 110.3 | 4.4 | 132.0 | 5.3 | 154.7 | 6.4 | 176.3 | 7.4 |
| | 40 | 77.8 | 3.1 | 94.6 | 3.8 | 110.3 | 4.5 | 132.0 | 5.5 | 154.7 | 6.5 | 176.3 | 7.6 |
| | 45 | 77.8 | 3.2 | 94.6 | 3.9 | 110.3 | 4.6 | 132.0 | 5.6 | 154.7 | 6.7 | 176.3 | 7.8 |
| | 50 | 77.8 | 3.2 | 94.6 | 4.0 | 110.3 | 4.7 | 132.0 | 5.7 | 154.7 | 6.9 | 176.3 | 8.0 |
| | 55 | 77.8 | 3.3 | 94.6 | 4.1 | 110.3 | 4.8 | 132.0 | 5.9 | 154.7 | 7.1 | 176.3 | 8.2 |
| | 60 | 77.8 | 3.4 | 94.6 | 4.2 | 110.3 | 5.0 | 132.0 | 6.0 | 154.7 | 7.2 | 176.3 | 8.5 |
| | 65 | 77.8 | 3.5 | 94.6 | 4.3 | 110.3 | 5.1 | 132.0 | 6.2 | 154.7 | 7.4 | 176.3 | 8.7 |
| | 70 | 77.8 | 3.8 | 94.6 | 4.7 | 110.3 | 5.5 | 132.0 | 6.8 | 154.7 | 8.1 | 176.3 | 9.5 |
| | 75 | 77.8 | 4.2 | 94.6 | 5.2 | 110.3 | 6.1 | 132.0 | 7.4 | 154.7 | 8.9 | 176.3 | 10.4 |
| | 80 | 77.8 | 4.6 | 94.6 | 5.7 | 110.3 | 6.7 | 132.0 | 8.2 | 154.7 | 9.8 | 176.3 | 11.4 |
| | 85 | 77.8 | 5.1 | 94.6 | 6.2 | 110.3 | 7.3 | 132.0 | 8.9 | 154.7 | 10.7 | 176.3 | 12.5 |
| | 90 | 77.8 | 5.5 | 94.6 | 6.8 | 110.3 | 8.0 | 132.0 | 9.8 | 154.7 | 11.7 | 176.3 | 13.7 |
| | 95 | 77.8 | 6.1 | 94.6 | 7.4 | 110.3 | 8.8 | 132.0 | 10.7 | 154.7 | 12.8 | 176.3 | 15.0 |
| 100 | 77.8 | 6.6 | 94.6 | 8.1 | 110.3 | 9.5 | 132.0 | 11.6 | 154.7 | 13.9 | 176.3 | 16.3 | |
| 105 | 77.8 | 7.1 | 94.6 | 8.7 | 110.3 | 10.3 | 132.0 | 12.6 | 154.7 | 15.0 | 176.3 | 17.6 | |
| 110 | 77.8 | 7.6 | 94.6 | 9.3 | 110.3 | 11.0 | 132.0 | 13.4 | 154.7 | 16.1 | 176.3 | 18.8 | |
| 115 | 77.8 | 8.0 | 94.6 | 9.9 | 110.3 | 11.7 | 132.0 | 14.2 | 154.7 | 17.0 | 176.3 | 19.9 | |
| 118 | 77.8 | 8.3 | 94.6 | 10.2 | 110.3 | 12.0 | 132.0 | 14.6 | 154.7 | 17.5 | 176.3 | 20.5 | |
| 125 | 77.8 | 8.6 | 94.6 | 10.6 | 110.3 | 12.5 | 129.0 | 14.9 | 143.1 | 16.9 | 156.0 | 19.0 | |

NOTE - Power Input = Compressor + Outdoor Fan Motor.
 MBH = 1000 BTUs per hour.

COOLING CAPACITY - TWO MODULE | VRB288H4

| Combination (%) | Outdoor Temperature °F (Dry Bulb) | Indoor Temperature - °F (Dry Bulb / Wet Bulb) | | | | | | | | | | | |
|-----------------|-----------------------------------|---|-------------|------------|-------------|------------|-------------|------------|-------------|------------|-------------|------------|-------------|
| | | 67 / 57 | | 71 / 60 | | 75 / 63 | | 80 / 67 | | 85 / 71 | | 90 / 75 | |
| | | Total Cap. | Power Input | Total Cap. | Power Input | Total Cap. | Power Input | Total Cap. | Power Input | Total Cap. | Power Input | Total Cap. | Power Input |
| | | MBH | kW | MBH | kW | MBH | kW | MBH | kW | MBH | kW | MBH | kW |
| 130% | -10 | 220.7 | 8.2 | 268.2 | 10.0 | 312.9 | 11.9 | 374.4 | 14.5 | 438.7 | 17.3 | 492.7 | 19.9 |
| | -5 | 220.7 | 8.7 | 268.2 | 10.7 | 312.9 | 12.6 | 374.4 | 15.4 | 438.7 | 18.4 | 468.9 | 20.2 |
| | 10 | 220.7 | 8.9 | 268.2 | 10.9 | 312.9 | 12.9 | 374.4 | 15.7 | 438.7 | 18.8 | 460.5 | 20.2 |
| | 15 | 220.7 | 9.1 | 268.2 | 11.1 | 312.9 | 13.2 | 374.4 | 16.0 | 436.1 | 19.1 | 451.1 | 20.3 |
| | 20 | 220.7 | 9.3 | 268.2 | 11.4 | 312.9 | 13.4 | 374.4 | 16.4 | 431.9 | 19.3 | 441.7 | 20.3 |
| | 25 | 220.7 | 9.5 | 268.2 | 11.7 | 312.9 | 13.8 | 374.4 | 16.8 | 427.6 | 19.6 | 432.0 | 20.3 |
| | 30 | 220.7 | 9.7 | 268.2 | 11.9 | 312.9 | 14.1 | 374.4 | 17.2 | 417.1 | 19.6 | 422.8 | 20.3 |
| | 35 | 220.7 | 9.9 | 268.2 | 12.2 | 312.9 | 14.4 | 374.4 | 17.6 | 408.4 | 19.6 | 414.2 | 20.4 |
| | 40 | 220.7 | 10.2 | 268.2 | 12.5 | 312.9 | 14.8 | 374.4 | 18.0 | 403.3 | 19.9 | 409.1 | 20.6 |
| | 45 | 220.7 | 10.4 | 268.2 | 12.8 | 312.9 | 15.1 | 374.4 | 18.5 | 401.9 | 20.3 | 407.7 | 21.1 |
| | 50 | 220.7 | 10.7 | 268.2 | 13.2 | 312.9 | 15.5 | 374.4 | 18.9 | 401.1 | 20.8 | 406.9 | 21.6 |
| | 55 | 220.7 | 11.0 | 268.2 | 13.5 | 312.9 | 15.9 | 374.4 | 19.4 | 400.8 | 21.3 | 406.6 | 22.1 |
| | 60 | 220.7 | 11.3 | 268.2 | 13.9 | 312.9 | 16.4 | 374.4 | 20.0 | 402.3 | 22.0 | 406.5 | 22.7 |
| | 65 | 220.7 | 11.6 | 268.2 | 14.3 | 312.9 | 16.8 | 374.4 | 20.5 | 398.8 | 22.4 | 406.4 | 23.4 |
| | 70 | 220.7 | 12.6 | 268.2 | 15.5 | 312.9 | 18.3 | 374.4 | 22.3 | 398.2 | 24.3 | 405.9 | 25.4 |
| | 75 | 220.7 | 13.8 | 268.2 | 17.0 | 312.9 | 20.1 | 371.4 | 24.3 | 396.8 | 26.6 | 404.4 | 27.8 |
| | 80 | 220.7 | 15.2 | 268.2 | 18.7 | 312.9 | 22.1 | 369.9 | 26.6 | 393.8 | 29.0 | 401.4 | 30.3 |
| | 85 | 220.7 | 16.7 | 268.2 | 20.5 | 312.9 | 24.2 | 367.6 | 29.0 | 388.8 | 31.4 | 396.3 | 32.8 |
| | 90 | 220.7 | 18.3 | 268.2 | 22.5 | 312.9 | 26.5 | 364.1 | 31.5 | 381.0 | 33.7 | 388.3 | 35.2 |
| | 95 | 220.7 | 20.0 | 268.2 | 24.5 | 312.9 | 29.0 | 343.7 | 32.5 | 349.5 | 33.8 | 355.3 | 35.2 |
| 100 | 220.7 | 21.7 | 268.2 | 26.7 | 306.7 | 30.9 | 327.7 | 33.7 | 333.4 | 35.0 | 339.8 | 36.6 | |
| 105 | 220.7 | 23.4 | 268.2 | 28.8 | 297.3 | 32.4 | 304.1 | 33.7 | 313.1 | 35.5 | 319.1 | 37.1 | |
| 110 | 220.7 | 25.1 | 256.9 | 29.6 | 268.0 | 31.2 | 278.3 | 33.1 | 286.6 | 34.8 | 292.1 | 36.3 | |
| 115 | 213.4 | 25.7 | 228.5 | 27.9 | 236.4 | 29.2 | 245.5 | 30.9 | 252.8 | 32.5 | 257.6 | 33.9 | |
| 118 | 197.5 | 24.5 | 206.2 | 25.8 | 213.4 | 27.1 | 221.6 | 28.6 | 228.2 | 30.2 | 232.6 | 31.5 | |
| 125 | 137.2 | 17.8 | 143.3 | 18.7 | 148.2 | 19.6 | 154.0 | 20.8 | 158.5 | 21.9 | 161.6 | 22.8 | |
| 120% | -10 | 203.7 | 7.4 | 247.6 | 9.1 | 288.9 | 10.8 | 345.6 | 13.1 | 404.9 | 15.7 | 461.7 | 18.4 |
| | -5 | 203.7 | 7.9 | 247.6 | 9.7 | 288.9 | 11.5 | 345.6 | 14.0 | 404.9 | 16.7 | 456.5 | 19.3 |
| | 10 | 203.7 | 8.1 | 247.6 | 9.9 | 288.9 | 11.7 | 345.6 | 14.3 | 404.9 | 17.1 | 452.6 | 19.6 |
| | 15 | 203.7 | 8.2 | 247.6 | 10.1 | 288.9 | 12.0 | 345.6 | 14.6 | 404.9 | 17.5 | 443.3 | 19.6 |
| | 20 | 203.7 | 8.4 | 247.6 | 10.4 | 288.9 | 12.2 | 345.6 | 14.9 | 404.9 | 17.8 | 434.0 | 19.6 |
| | 25 | 203.7 | 8.6 | 247.6 | 10.6 | 288.9 | 12.5 | 345.6 | 15.2 | 404.9 | 18.3 | 424.3 | 19.6 |
| | 30 | 203.7 | 8.8 | 247.6 | 10.8 | 288.9 | 12.8 | 345.6 | 15.6 | 400.7 | 18.5 | 415.2 | 19.6 |
| | 35 | 203.7 | 9.0 | 247.6 | 11.1 | 288.9 | 13.1 | 345.6 | 16.0 | 396.8 | 18.8 | 406.6 | 19.7 |
| | 40 | 203.7 | 9.2 | 247.6 | 11.4 | 288.9 | 13.4 | 345.6 | 16.4 | 394.2 | 19.1 | 401.4 | 19.9 |
| | 45 | 203.7 | 9.5 | 247.6 | 11.7 | 288.9 | 13.8 | 345.6 | 16.8 | 393.2 | 19.5 | 400.0 | 20.4 |
| | 50 | 203.7 | 9.7 | 247.6 | 12.0 | 288.9 | 14.1 | 345.6 | 17.2 | 392.4 | 20.0 | 399.2 | 20.8 |
| | 55 | 203.7 | 10.0 | 247.6 | 12.3 | 288.9 | 14.5 | 345.6 | 17.7 | 391.8 | 20.5 | 398.9 | 21.4 |
| | 60 | 203.7 | 10.3 | 247.6 | 12.6 | 288.9 | 14.9 | 345.6 | 18.1 | 391.9 | 21.1 | 398.9 | 22.0 |
| | 65 | 203.7 | 10.5 | 247.6 | 13.0 | 288.9 | 15.3 | 345.6 | 18.6 | 390.3 | 21.6 | 398.8 | 22.6 |
| | 70 | 203.7 | 11.5 | 247.6 | 14.1 | 288.9 | 16.6 | 345.6 | 20.3 | 389.7 | 23.4 | 398.2 | 24.5 |
| | 75 | 203.7 | 12.6 | 247.6 | 15.5 | 288.9 | 18.3 | 345.6 | 22.3 | 388.7 | 25.6 | 396.7 | 26.8 |
| | 80 | 203.7 | 13.8 | 247.6 | 17.0 | 288.9 | 20.1 | 345.6 | 24.4 | 386.4 | 28.0 | 393.8 | 29.2 |
| | 85 | 203.7 | 15.2 | 247.6 | 18.6 | 288.9 | 22.0 | 345.6 | 26.8 | 381.5 | 30.3 | 388.8 | 31.7 |
| | 90 | 203.7 | 16.6 | 247.6 | 20.4 | 288.9 | 24.1 | 345.6 | 29.4 | 373.8 | 32.6 | 380.9 | 34.0 |
| | 95 | 203.7 | 18.1 | 247.6 | 22.3 | 288.9 | 26.3 | 334.6 | 31.1 | 349.5 | 33.3 | 355.3 | 34.6 |
| 100 | 203.7 | 19.7 | 247.6 | 24.2 | 288.9 | 28.6 | 328.1 | 33.2 | 333.4 | 34.5 | 339.8 | 36.0 | |
| 105 | 203.7 | 21.3 | 247.6 | 26.2 | 283.3 | 30.3 | 304.1 | 33.2 | 313.1 | 35.0 | 319.1 | 36.5 | |
| 110 | 203.7 | 22.8 | 244.8 | 27.7 | 268.0 | 30.8 | 278.3 | 32.5 | 286.6 | 34.3 | 292.1 | 35.8 | |
| 115 | 203.7 | 24.1 | 228.5 | 27.4 | 236.4 | 28.7 | 245.5 | 30.4 | 252.8 | 32.0 | 257.6 | 33.4 | |
| 118 | 193.7 | 23.6 | 206.2 | 25.5 | 213.4 | 26.7 | 221.6 | 28.2 | 228.2 | 29.7 | 232.6 | 31.0 | |
| 125 | 137.2 | 17.5 | 143.3 | 18.5 | 148.2 | 19.3 | 154.0 | 20.5 | 158.5 | 21.5 | 161.6 | 22.5 | |

NOTE - Power Input = Compressor + Outdoor Fan Motor.
MBH = 1000 BTUs per hour.

COOLING CAPACITY - TWO MODULE | VRB288H4

| Combination (%) | Outdoor Temperature °F (Dry Bulb) | Indoor Temperature - °F (Dry Bulb / Wet Bulb) | | | | | | | | | | | |
|-----------------|-----------------------------------|---|-------------|------------|-------------|------------|-------------|--------------|-------------|------------|-------------|------------|-------------|
| | | 67 / 57 | | 71 / 60 | | 75 / 63 | | 80 / 67 | | 85 / 71 | | 90 / 75 | |
| | | Total Cap. | Power Input | Total Cap. | Power Input | Total Cap. | Power Input | Total Cap. | Power Input | Total Cap. | Power Input | Total Cap. | Power Input |
| | | MBH | KW | MBH | KW | MBH | KW | MBH | KW | MBH | KW | MBH | KW |
| 110% | -10 | 186.8 | 6.7 | 227.0 | 8.2 | 264.8 | 9.7 | 316.8 | 11.9 | 371.2 | 14.2 | 423.2 | 16.6 |
| | -5 | 186.8 | 7.1 | 227.0 | 8.8 | 264.8 | 10.3 | 316.8 | 12.6 | 371.2 | 15.1 | 423.2 | 17.6 |
| | 10 | 186.8 | 7.3 | 227.0 | 8.9 | 264.8 | 10.6 | 316.8 | 12.9 | 371.2 | 15.4 | 423.2 | 18.0 |
| | 15 | 186.8 | 7.4 | 227.0 | 9.1 | 264.8 | 10.8 | 316.8 | 13.2 | 371.2 | 15.8 | 423.1 | 18.4 |
| | 20 | 186.8 | 7.6 | 227.0 | 9.3 | 264.8 | 11.0 | 316.8 | 13.4 | 371.2 | 16.1 | 419.0 | 18.6 |
| | 25 | 186.8 | 7.8 | 227.0 | 9.6 | 264.8 | 11.3 | 316.8 | 13.8 | 371.2 | 16.5 | 414.8 | 18.9 |
| | 30 | 186.8 | 8.0 | 227.0 | 9.8 | 264.8 | 11.6 | 316.8 | 14.1 | 371.2 | 16.9 | 407.5 | 19.0 |
| | 35 | 186.8 | 8.1 | 227.0 | 10.0 | 264.8 | 11.8 | 316.8 | 14.4 | 371.2 | 17.3 | 399.0 | 19.0 |
| | 40 | 186.8 | 8.3 | 227.0 | 10.3 | 264.8 | 12.1 | 316.8 | 14.8 | 371.2 | 17.7 | 393.6 | 19.2 |
| | 45 | 186.8 | 8.6 | 227.0 | 10.5 | 264.8 | 12.4 | 316.8 | 15.1 | 371.2 | 18.1 | 392.3 | 19.7 |
| | 50 | 186.8 | 8.8 | 227.0 | 10.8 | 264.8 | 12.7 | 316.8 | 15.5 | 371.2 | 18.6 | 391.6 | 20.1 |
| | 55 | 186.8 | 9.0 | 227.0 | 11.1 | 264.8 | 13.1 | 316.8 | 15.9 | 371.2 | 19.1 | 391.3 | 20.6 |
| | 60 | 186.8 | 9.3 | 227.0 | 11.4 | 264.8 | 13.4 | 316.8 | 16.4 | 369.1 | 19.5 | 391.2 | 21.2 |
| | 65 | 186.8 | 9.5 | 227.0 | 11.7 | 264.8 | 13.8 | 316.8 | 16.8 | 367.7 | 20.0 | 391.1 | 21.8 |
| | 70 | 186.8 | 10.4 | 227.0 | 12.7 | 264.8 | 15.0 | 316.8 | 18.3 | 367.0 | 21.7 | 390.5 | 23.7 |
| | 75 | 186.8 | 11.4 | 227.0 | 14.0 | 264.8 | 16.5 | 316.8 | 20.1 | 366.1 | 23.8 | 389.1 | 25.9 |
| | 80 | 186.8 | 12.5 | 227.0 | 15.3 | 264.8 | 18.1 | 316.8 | 22.1 | 364.6 | 26.0 | 386.2 | 28.2 |
| | 85 | 186.8 | 13.7 | 227.0 | 16.8 | 264.8 | 19.9 | 316.8 | 24.2 | 362.4 | 28.3 | 381.3 | 30.6 |
| | 90 | 186.8 | 15.0 | 227.0 | 18.4 | 264.8 | 21.8 | 316.8 | 26.5 | 359.1 | 30.8 | 373.6 | 32.8 |
| | 95 | 186.8 | 16.4 | 227.0 | 20.1 | 264.8 | 23.8 | 316.8 | 29.0 | 351.9 | 33.0 | 355.3 | 34.1 |
| | 100 | 186.8 | 17.8 | 227.0 | 21.9 | 264.8 | 25.8 | 313.3 | 31.2 | 333.4 | 34.0 | 339.8 | 35.5 |
| 105 | 186.8 | 19.2 | 227.0 | 23.6 | 264.8 | 27.9 | 302.0 | 32.5 | 313.1 | 34.4 | 319.1 | 36.0 | |
| 110 | 186.8 | 20.6 | 227.0 | 25.3 | 257.3 | 29.0 | 278.3 | 32.1 | 286.6 | 33.7 | 292.1 | 35.2 | |
| 115 | 186.8 | 21.8 | 219.5 | 25.9 | 236.4 | 28.3 | 245.5 | 29.9 | 252.8 | 31.5 | 257.6 | 32.9 | |
| 118 | 183.8 | 22.0 | 206.2 | 25.1 | 213.4 | 26.2 | 221.6 | 27.8 | 228.2 | 29.2 | 232.6 | 30.5 | |
| 125 | 137.2 | 17.2 | 143.3 | 18.2 | 148.2 | 19.0 | 154.0 | 20.1 | 158.5 | 21.2 | 161.6 | 22.1 | |
| 100% | -10 | 169.8 | 6.0 | 206.3 | 7.4 | 240.7 | 8.7 | 288.0 | 10.6 | 337.4 | 12.7 | 384.7 | 14.9 |
| | -5 | 169.8 | 6.4 | 206.3 | 7.8 | 240.7 | 9.3 | 288.0 | 11.3 | 337.4 | 13.5 | 384.7 | 15.8 |
| | 10 | 169.8 | 6.5 | 206.3 | 8.0 | 240.7 | 9.5 | 288.0 | 11.5 | 337.4 | 13.8 | 384.7 | 16.1 |
| | 15 | 169.8 | 6.7 | 206.3 | 8.2 | 240.7 | 9.7 | 288.0 | 11.8 | 337.4 | 14.1 | 384.7 | 16.5 |
| | 20 | 169.8 | 6.8 | 206.3 | 8.4 | 240.7 | 9.9 | 288.0 | 12.0 | 337.4 | 14.4 | 384.6 | 16.8 |
| | 25 | 169.8 | 7.0 | 206.3 | 8.6 | 240.7 | 10.1 | 288.0 | 12.3 | 337.4 | 14.8 | 382.9 | 17.2 |
| | 30 | 169.8 | 7.1 | 206.3 | 8.8 | 240.7 | 10.3 | 288.0 | 12.6 | 337.4 | 15.1 | 381.3 | 17.5 |
| | 35 | 169.8 | 7.3 | 206.3 | 9.0 | 240.7 | 10.6 | 288.0 | 12.9 | 337.4 | 15.5 | 379.9 | 17.8 |
| | 40 | 169.8 | 7.5 | 206.3 | 9.2 | 240.7 | 10.9 | 288.0 | 13.2 | 337.4 | 15.8 | 378.7 | 18.2 |
| | 45 | 169.8 | 7.7 | 206.3 | 9.4 | 240.7 | 11.1 | 288.0 | 13.6 | 337.4 | 16.2 | 377.7 | 18.6 |
| | 50 | 169.8 | 7.9 | 206.3 | 9.7 | 240.7 | 11.4 | 288.0 | 13.9 | 337.4 | 16.7 | 376.9 | 19.1 |
| | 55 | 169.8 | 8.1 | 206.3 | 9.9 | 240.7 | 11.7 | 288.0 | 14.3 | 337.4 | 17.1 | 376.4 | 19.6 |
| | 60 | 169.8 | 8.3 | 206.3 | 10.2 | 240.7 | 12.0 | 288.0 | 14.7 | 337.4 | 17.6 | 375.9 | 20.1 |
| | 65 | 169.8 | 8.5 | 206.3 | 10.5 | 240.7 | 12.4 | 288.0 | 15.1 | 337.4 | 18.1 | 375.4 | 20.6 |
| | 70 | 169.8 | 9.3 | 206.3 | 11.4 | 240.7 | 13.5 | 288.0 | 16.4 | 337.4 | 19.6 | 374.8 | 22.4 |
| | 75 | 169.8 | 10.2 | 206.3 | 12.5 | 240.7 | 14.8 | 288.0 | 18.0 | 337.4 | 21.6 | 373.9 | 24.5 |
| | 80 | 169.8 | 11.2 | 206.3 | 13.7 | 240.7 | 16.2 | 288.0 | 19.8 | 337.4 | 23.7 | 372.4 | 26.8 |
| | 85 | 169.8 | 12.3 | 206.3 | 15.1 | 240.7 | 17.8 | 288.0 | 21.7 | 337.4 | 26.0 | 370.1 | 29.2 |
| | 90 | 169.8 | 13.4 | 206.3 | 16.5 | 240.7 | 19.5 | 288.0 | 23.8 | 336.6 | 28.4 | 366.3 | 31.7 |
| | 95 | 169.8 | 14.7 | 206.3 | 18.0 | 240.7 | 21.3 | 288.0 | 25.9 | 332.0 | 30.6 | 355.3 | 33.6 |
| | 100 | 169.8 | 15.9 | 206.3 | 19.6 | 240.7 | 23.1 | 288.0 | 28.2 | 325.8 | 32.7 | 339.8 | 34.9 |
| 105 | 169.8 | 17.2 | 206.3 | 21.2 | 240.7 | 25.0 | 285.2 | 30.2 | 313.1 | 33.9 | 319.1 | 35.4 | |
| 110 | 169.8 | 18.4 | 206.3 | 22.6 | 240.7 | 26.7 | 274.8 | 31.2 | 286.6 | 33.2 | 292.1 | 34.7 | |
| 115 | 169.8 | 19.5 | 206.3 | 24.0 | 230.5 | 27.1 | 245.5 | 29.5 | 252.8 | 31.0 | 257.6 | 32.4 | |
| 118 | 169.8 | 20.0 | 198.5 | 23.7 | 213.4 | 25.9 | 221.6 | 27.4 | 228.2 | 28.8 | 232.6 | 30.1 | |
| 125 | 137.2 | 17.0 | 143.3 | 17.9 | 148.2 | 18.7 | 154.0 | 19.8 | 158.5 | 20.9 | 161.6 | 21.8 | |

NOTE - Power Input = Compressor + Outdoor Fan Motor.
MBH = 1000 BTUs per hour.

COOLING CAPACITY - TWO MODULE | VRB288H4

| Combination (%) | Outdoor Temperature °F (Dry Bulb) | Indoor Temperature - °F (Dry Bulb / Wet Bulb) | | | | | | | | | | | |
|-----------------|-----------------------------------|---|-------------|------------|-------------|------------|-------------|------------|-------------|------------|-------------|------------|-------------|
| | | 67 / 57 | | 71 / 60 | | 75 / 63 | | 80 / 67 | | 85 / 71 | | 90 / 75 | |
| | | Total Cap. | Power Input | Total Cap. | Power Input | Total Cap. | Power Input | Total Cap. | Power Input | Total Cap. | Power Input | Total Cap. | Power Input |
| | | MBH | kW | MBH | kW | MBH | kW | MBH | kW | MBH | kW | MBH | kW |
| 90% | -10 | 152.8 | 5.3 | 185.7 | 6.5 | 216.6 | 7.7 | 259.2 | 9.4 | 303.7 | 11.3 | 346.2 | 13.2 |
| | -5 | 152.8 | 5.7 | 185.7 | 7.0 | 216.6 | 8.2 | 259.2 | 10.0 | 303.7 | 12.0 | 346.2 | 14.0 |
| | 10 | 152.8 | 5.8 | 185.7 | 7.1 | 216.6 | 8.4 | 259.2 | 10.2 | 303.7 | 12.2 | 346.2 | 14.3 |
| | 15 | 152.8 | 5.9 | 185.7 | 7.3 | 216.6 | 8.6 | 259.2 | 10.5 | 303.7 | 12.5 | 346.2 | 14.6 |
| | 20 | 152.8 | 6.0 | 185.7 | 7.4 | 216.6 | 8.8 | 259.2 | 10.7 | 303.7 | 12.8 | 346.2 | 14.9 |
| | 25 | 152.8 | 6.2 | 185.7 | 7.6 | 216.6 | 9.0 | 259.2 | 10.9 | 303.7 | 13.1 | 346.2 | 15.3 |
| | 30 | 152.8 | 6.3 | 185.7 | 7.8 | 216.6 | 9.2 | 259.2 | 11.2 | 303.7 | 13.4 | 346.2 | 15.6 |
| | 35 | 152.8 | 6.5 | 185.7 | 8.0 | 216.6 | 9.4 | 259.2 | 11.4 | 303.7 | 13.7 | 346.2 | 16.0 |
| | 40 | 152.8 | 6.6 | 185.7 | 8.1 | 216.6 | 9.6 | 259.2 | 11.7 | 303.7 | 14.0 | 346.2 | 16.4 |
| | 45 | 152.8 | 6.8 | 185.7 | 8.4 | 216.6 | 9.9 | 259.2 | 12.0 | 303.7 | 14.4 | 346.2 | 16.8 |
| | 50 | 152.8 | 7.0 | 185.7 | 8.6 | 216.6 | 10.1 | 259.2 | 12.3 | 303.7 | 14.8 | 346.2 | 17.2 |
| | 55 | 152.8 | 7.2 | 185.7 | 8.8 | 216.6 | 10.4 | 259.2 | 12.7 | 303.7 | 15.2 | 346.2 | 17.7 |
| | 60 | 152.8 | 7.4 | 185.7 | 9.0 | 216.6 | 10.7 | 259.2 | 13.0 | 303.7 | 15.6 | 346.2 | 18.2 |
| | 65 | 152.8 | 7.6 | 185.7 | 9.3 | 216.6 | 11.0 | 259.2 | 13.4 | 303.7 | 16.0 | 346.2 | 18.7 |
| | 70 | 152.8 | 8.2 | 185.7 | 10.1 | 216.6 | 11.9 | 259.2 | 14.5 | 303.7 | 17.4 | 346.2 | 20.3 |
| | 75 | 152.8 | 9.0 | 185.7 | 11.1 | 216.6 | 13.1 | 259.2 | 16.0 | 303.7 | 19.1 | 346.2 | 22.3 |
| | 80 | 152.8 | 9.9 | 185.7 | 12.2 | 216.6 | 14.4 | 259.2 | 17.5 | 303.7 | 21.0 | 346.2 | 24.5 |
| | 85 | 152.8 | 10.9 | 185.7 | 13.4 | 216.6 | 15.8 | 259.2 | 19.2 | 303.7 | 23.0 | 344.8 | 26.8 |
| | 90 | 152.8 | 11.9 | 185.7 | 14.6 | 216.6 | 17.3 | 259.2 | 21.1 | 303.7 | 25.2 | 341.5 | 29.1 |
| | 95 | 152.8 | 13.0 | 185.7 | 16.0 | 216.6 | 18.9 | 259.2 | 23.0 | 303.7 | 27.6 | 339.7 | 31.6 |
| | 100 | 152.8 | 14.1 | 185.7 | 17.4 | 216.6 | 20.5 | 259.2 | 25.0 | 303.5 | 29.9 | 333.4 | 33.7 |
| 105 | 152.8 | 15.3 | 185.7 | 18.8 | 216.6 | 22.2 | 259.2 | 27.0 | 297.8 | 31.7 | 319.1 | 34.9 | |
| 110 | 152.8 | 16.3 | 185.7 | 20.1 | 216.6 | 23.7 | 258.0 | 28.8 | 286.6 | 32.7 | 292.1 | 34.2 | |
| 115 | 152.8 | 17.3 | 185.7 | 21.2 | 216.5 | 25.1 | 244.8 | 28.9 | 252.8 | 30.6 | 257.6 | 31.9 | |
| 118 | 152.8 | 17.8 | 185.7 | 21.8 | 207.3 | 24.7 | 221.6 | 26.9 | 228.2 | 28.4 | 232.6 | 29.6 | |
| 125 | 137.2 | 16.7 | 143.3 | 17.6 | 148.2 | 18.5 | 154.0 | 19.5 | 158.5 | 20.6 | 161.6 | 21.5 | |
| 80% | -10 | 135.8 | 4.7 | 165.1 | 5.7 | 192.6 | 6.8 | 230.4 | 8.3 | 269.9 | 9.9 | 307.8 | 11.5 |
| | -5 | 135.8 | 5.0 | 165.1 | 6.1 | 192.6 | 7.2 | 230.4 | 8.8 | 269.9 | 10.5 | 307.8 | 12.3 |
| | 10 | 135.8 | 5.1 | 165.1 | 6.2 | 192.6 | 7.3 | 230.4 | 9.0 | 269.9 | 10.7 | 307.8 | 12.5 |
| | 15 | 135.8 | 5.2 | 165.1 | 6.4 | 192.6 | 7.5 | 230.4 | 9.2 | 269.9 | 11.0 | 307.8 | 12.8 |
| | 20 | 135.8 | 5.3 | 165.1 | 6.5 | 192.6 | 7.7 | 230.4 | 9.4 | 269.9 | 11.2 | 307.8 | 13.1 |
| | 25 | 135.8 | 5.4 | 165.1 | 6.6 | 192.6 | 7.9 | 230.4 | 9.6 | 269.9 | 11.5 | 307.8 | 13.4 |
| | 30 | 135.8 | 5.5 | 165.1 | 6.8 | 192.6 | 8.0 | 230.4 | 9.8 | 269.9 | 11.7 | 307.8 | 13.7 |
| | 35 | 135.8 | 5.7 | 165.1 | 7.0 | 192.6 | 8.2 | 230.4 | 10.0 | 269.9 | 12.0 | 307.8 | 14.0 |
| | 40 | 135.8 | 5.8 | 165.1 | 7.1 | 192.6 | 8.4 | 230.4 | 10.3 | 269.9 | 12.3 | 307.8 | 14.4 |
| | 45 | 135.8 | 6.0 | 165.1 | 7.3 | 192.6 | 8.6 | 230.4 | 10.5 | 269.9 | 12.6 | 307.8 | 14.7 |
| | 50 | 135.8 | 6.1 | 165.1 | 7.5 | 192.6 | 8.9 | 230.4 | 10.8 | 269.9 | 12.9 | 307.8 | 15.1 |
| | 55 | 135.8 | 6.3 | 165.1 | 7.7 | 192.6 | 9.1 | 230.4 | 11.1 | 269.9 | 13.3 | 307.8 | 15.5 |
| | 60 | 135.8 | 6.4 | 165.1 | 7.9 | 192.6 | 9.3 | 230.4 | 11.4 | 269.9 | 13.6 | 307.8 | 15.9 |
| | 65 | 135.8 | 6.6 | 165.1 | 8.1 | 192.6 | 9.6 | 230.4 | 11.7 | 269.9 | 14.0 | 307.8 | 16.4 |
| | 70 | 135.8 | 7.2 | 165.1 | 8.8 | 192.6 | 10.4 | 230.4 | 12.7 | 269.9 | 15.3 | 307.8 | 17.8 |
| | 75 | 135.8 | 7.9 | 165.1 | 9.7 | 192.6 | 11.5 | 230.4 | 14.0 | 269.9 | 16.7 | 307.8 | 19.6 |
| | 80 | 135.8 | 8.7 | 165.1 | 10.7 | 192.6 | 12.6 | 230.4 | 15.3 | 269.9 | 18.4 | 307.8 | 21.5 |
| | 85 | 135.8 | 9.5 | 165.1 | 11.7 | 192.6 | 13.8 | 230.4 | 16.8 | 269.9 | 20.2 | 307.8 | 23.6 |
| | 90 | 135.8 | 10.4 | 165.1 | 12.8 | 192.6 | 15.1 | 230.4 | 18.5 | 269.9 | 22.1 | 307.8 | 25.8 |
| | 95 | 135.8 | 11.4 | 165.1 | 14.0 | 192.6 | 16.5 | 230.4 | 20.2 | 269.9 | 24.1 | 307.8 | 28.2 |
| | 100 | 135.8 | 12.4 | 165.1 | 15.2 | 192.6 | 18.0 | 230.4 | 21.9 | 269.9 | 26.2 | 307.8 | 30.6 |
| 105 | 135.8 | 13.4 | 165.1 | 16.4 | 192.6 | 19.4 | 230.4 | 23.7 | 269.9 | 28.3 | 302.5 | 32.5 | |
| 110 | 135.8 | 14.3 | 165.1 | 17.6 | 192.6 | 20.8 | 230.4 | 25.3 | 267.4 | 30.0 | 291.6 | 33.6 | |
| 115 | 135.8 | 15.1 | 165.1 | 18.6 | 192.6 | 22.0 | 228.0 | 26.5 | 252.8 | 30.1 | 257.6 | 31.4 | |
| 118 | 135.8 | 15.6 | 165.1 | 19.1 | 192.6 | 22.6 | 218.4 | 26.2 | 228.2 | 28.0 | 232.6 | 29.2 | |
| 125 | 130.1 | 15.6 | 143.3 | 17.4 | 148.2 | 18.2 | 154.0 | 19.3 | 158.5 | 20.3 | 161.6 | 21.2 | |

NOTE - Power Input = Compressor + Outdoor Fan Motor.
 MBH = 1000 BTUs per hour.

COOLING CAPACITY - TWO MODULE | VRB288H4

| Combination (%) | Outdoor Temperature °F (Dry Bulb) | Indoor Temperature - °F (Dry Bulb / Wet Bulb) | | | | | | | | | | | |
|-----------------|-----------------------------------|---|-------------|------------|-------------|------------|-------------|------------|-------------|------------|-------------|------------|-------------|
| | | 67 / 57 | | 71 / 60 | | 75 / 63 | | 80 / 67 | | 85 / 71 | | 90 / 75 | |
| | | Total Cap. | Power Input | Total Cap. | Power Input | Total Cap. | Power Input | Total Cap. | Power Input | Total Cap. | Power Input | Total Cap. | Power Input |
| | | MBH | KW | MBH | KW | MBH | KW | MBH | KW | MBH | KW | MBH | KW |
| 70% | -10 | 118.9 | 4.0 | 144.4 | 4.9 | 168.5 | 5.8 | 201.6 | 7.1 | 236.2 | 8.5 | 269.3 | 10.0 |
| | -5 | 118.9 | 4.3 | 144.4 | 5.3 | 168.5 | 6.2 | 201.6 | 7.6 | 236.2 | 9.1 | 269.3 | 10.6 |
| | 10 | 118.9 | 4.4 | 144.4 | 5.4 | 168.5 | 6.3 | 201.6 | 7.7 | 236.2 | 9.3 | 269.3 | 10.8 |
| | 15 | 118.9 | 4.5 | 144.4 | 5.5 | 168.5 | 6.5 | 201.6 | 7.9 | 236.2 | 9.5 | 269.3 | 11.0 |
| | 20 | 118.9 | 4.6 | 144.4 | 5.6 | 168.5 | 6.6 | 201.6 | 8.1 | 236.2 | 9.7 | 269.3 | 11.3 |
| | 25 | 118.9 | 4.7 | 144.4 | 5.7 | 168.5 | 6.8 | 201.6 | 8.3 | 236.2 | 9.9 | 269.3 | 11.5 |
| | 30 | 118.9 | 4.8 | 144.4 | 5.9 | 168.5 | 6.9 | 201.6 | 8.4 | 236.2 | 10.1 | 269.3 | 11.8 |
| | 35 | 118.9 | 4.9 | 144.4 | 6.0 | 168.5 | 7.1 | 201.6 | 8.6 | 236.2 | 10.4 | 269.3 | 12.1 |
| | 40 | 118.9 | 5.0 | 144.4 | 6.2 | 168.5 | 7.3 | 201.6 | 8.9 | 236.2 | 10.6 | 269.3 | 12.4 |
| | 45 | 118.9 | 5.1 | 144.4 | 6.3 | 168.5 | 7.5 | 201.6 | 9.1 | 236.2 | 10.9 | 269.3 | 12.7 |
| | 50 | 118.9 | 5.3 | 144.4 | 6.5 | 168.5 | 7.6 | 201.6 | 9.3 | 236.2 | 11.2 | 269.3 | 13.0 |
| | 55 | 118.9 | 5.4 | 144.4 | 6.6 | 168.5 | 7.8 | 201.6 | 9.6 | 236.2 | 11.5 | 269.3 | 13.4 |
| | 60 | 118.9 | 5.6 | 144.4 | 6.8 | 168.5 | 8.1 | 201.6 | 9.8 | 236.2 | 11.8 | 269.3 | 13.7 |
| | 65 | 118.9 | 5.7 | 144.4 | 7.0 | 168.5 | 8.3 | 201.6 | 10.1 | 236.2 | 12.1 | 269.3 | 14.1 |
| | 70 | 118.9 | 6.2 | 144.4 | 7.6 | 168.5 | 9.0 | 201.6 | 11.0 | 236.2 | 13.2 | 269.3 | 15.4 |
| | 75 | 118.9 | 6.8 | 144.4 | 8.4 | 168.5 | 9.9 | 201.6 | 12.1 | 236.2 | 14.4 | 269.3 | 16.9 |
| | 80 | 118.9 | 7.5 | 144.4 | 9.2 | 168.5 | 10.9 | 201.6 | 13.2 | 236.2 | 15.9 | 269.3 | 18.5 |
| | 85 | 118.9 | 8.2 | 144.4 | 10.1 | 168.5 | 11.9 | 201.6 | 14.5 | 236.2 | 17.4 | 269.3 | 20.3 |
| | 90 | 118.9 | 9.0 | 144.4 | 11.1 | 168.5 | 13.1 | 201.6 | 15.9 | 236.2 | 19.1 | 269.3 | 22.3 |
| | 95 | 118.9 | 9.8 | 144.4 | 12.1 | 168.5 | 14.3 | 201.6 | 17.4 | 236.2 | 20.8 | 269.3 | 24.3 |
| | 100 | 118.9 | 10.7 | 144.4 | 13.1 | 168.5 | 15.5 | 201.6 | 18.9 | 236.2 | 22.6 | 269.3 | 26.4 |
| 105 | 118.9 | 11.5 | 144.4 | 14.2 | 168.5 | 16.7 | 201.6 | 20.4 | 236.2 | 24.4 | 269.3 | 28.5 | |
| 110 | 118.9 | 12.3 | 144.4 | 15.2 | 168.5 | 17.9 | 201.6 | 21.8 | 236.2 | 26.1 | 269.1 | 30.5 | |
| 115 | 118.9 | 13.1 | 144.4 | 16.0 | 168.5 | 18.9 | 201.6 | 23.1 | 234.1 | 27.4 | 255.3 | 30.7 | |
| 118 | 118.9 | 13.4 | 144.4 | 16.5 | 168.5 | 19.5 | 201.6 | 23.7 | 224.3 | 27.1 | 232.6 | 28.8 | |
| 125 | 117.1 | 13.8 | 137.3 | 16.4 | 148.2 | 17.9 | 154.0 | 19.0 | 158.5 | 20.0 | 161.6 | 20.9 | |
| 60% | -10 | 101.9 | 3.4 | 123.8 | 4.2 | 144.4 | 4.9 | 172.8 | 6.0 | 202.5 | 7.2 | 230.8 | 8.4 |
| | -5 | 101.9 | 3.6 | 123.8 | 4.4 | 144.4 | 5.2 | 172.8 | 6.4 | 202.5 | 7.7 | 230.8 | 8.9 |
| | 10 | 101.9 | 3.7 | 123.8 | 4.5 | 144.4 | 5.4 | 172.8 | 6.5 | 202.5 | 7.8 | 230.8 | 9.1 |
| | 15 | 101.9 | 3.8 | 123.8 | 4.6 | 144.4 | 5.5 | 172.8 | 6.7 | 202.5 | 8.0 | 230.8 | 9.3 |
| | 20 | 101.9 | 3.9 | 123.8 | 4.7 | 144.4 | 5.6 | 172.8 | 6.8 | 202.5 | 8.2 | 230.8 | 9.5 |
| | 25 | 101.9 | 3.9 | 123.8 | 4.8 | 144.4 | 5.7 | 172.8 | 7.0 | 202.5 | 8.4 | 230.8 | 9.8 |
| | 30 | 101.9 | 4.0 | 123.8 | 5.0 | 144.4 | 5.9 | 172.8 | 7.1 | 202.5 | 8.5 | 230.8 | 10.0 |
| | 35 | 101.9 | 4.1 | 123.8 | 5.1 | 144.4 | 6.0 | 172.8 | 7.3 | 202.5 | 8.8 | 230.8 | 10.2 |
| | 40 | 101.9 | 4.2 | 123.8 | 5.2 | 144.4 | 6.1 | 172.8 | 7.5 | 202.5 | 9.0 | 230.8 | 10.5 |
| | 45 | 101.9 | 4.3 | 123.8 | 5.3 | 144.4 | 6.3 | 172.8 | 7.7 | 202.5 | 9.2 | 230.8 | 10.7 |
| | 50 | 101.9 | 4.5 | 123.8 | 5.5 | 144.4 | 6.5 | 172.8 | 7.9 | 202.5 | 9.4 | 230.8 | 11.0 |
| | 55 | 101.9 | 4.6 | 123.8 | 5.6 | 144.4 | 6.6 | 172.8 | 8.1 | 202.5 | 9.7 | 230.8 | 11.3 |
| | 60 | 101.9 | 4.7 | 123.8 | 5.8 | 144.4 | 6.8 | 172.8 | 8.3 | 202.5 | 9.9 | 230.8 | 11.6 |
| | 65 | 101.9 | 4.8 | 123.8 | 5.9 | 144.4 | 7.0 | 172.8 | 8.5 | 202.5 | 10.2 | 230.8 | 11.9 |
| | 70 | 101.9 | 5.2 | 123.8 | 6.4 | 144.4 | 7.6 | 172.8 | 9.3 | 202.5 | 11.1 | 230.8 | 13.0 |
| | 75 | 101.9 | 5.8 | 123.8 | 7.1 | 144.4 | 8.4 | 172.8 | 10.2 | 202.5 | 12.2 | 230.8 | 14.2 |
| | 80 | 101.9 | 6.3 | 123.8 | 7.8 | 144.4 | 9.2 | 172.8 | 11.2 | 202.5 | 13.4 | 230.8 | 15.6 |
| | 85 | 101.9 | 6.9 | 123.8 | 8.5 | 144.4 | 10.1 | 172.8 | 12.3 | 202.5 | 14.7 | 230.8 | 17.2 |
| | 90 | 101.9 | 7.6 | 123.8 | 9.3 | 144.4 | 11.0 | 172.8 | 13.4 | 202.5 | 16.1 | 230.8 | 18.8 |
| | 95 | 101.9 | 8.3 | 123.8 | 10.2 | 144.4 | 12.0 | 172.8 | 14.7 | 202.5 | 17.6 | 230.8 | 20.5 |
| | 100 | 101.9 | 9.0 | 123.8 | 11.1 | 144.4 | 13.1 | 172.8 | 16.0 | 202.5 | 19.1 | 230.8 | 22.3 |
| 105 | 101.9 | 9.7 | 123.8 | 12.0 | 144.4 | 14.1 | 172.8 | 17.2 | 202.5 | 20.6 | 230.8 | 24.1 | |
| 110 | 101.9 | 10.4 | 123.8 | 12.8 | 144.4 | 15.1 | 172.8 | 18.4 | 202.5 | 22.1 | 230.8 | 25.8 | |
| 115 | 101.9 | 11.0 | 123.8 | 13.6 | 144.4 | 16.0 | 172.8 | 19.5 | 202.5 | 23.4 | 230.8 | 27.3 | |
| 118 | 101.9 | 11.3 | 123.8 | 13.9 | 144.4 | 16.5 | 172.8 | 20.1 | 202.5 | 24.0 | 222.8 | 27.1 | |
| 125 | 101.9 | 11.8 | 123.8 | 14.5 | 139.2 | 16.6 | 154.0 | 18.7 | 158.5 | 19.7 | 161.6 | 20.6 | |

NOTE - Power Input = Compressor + Outdoor Fan Motor.
 MBH = 1000 BTUs per hour.

COOLING CAPACITY - TWO MODULE | VRB288H4

| Combination (%) | Outdoor Temperature °F (Dry Bulb) | Indoor Temperature - °F (Dry Bulb / Wet Bulb) | | | | | | | | | | | |
|-----------------|-----------------------------------|---|-------------|------------|-------------|------------|-------------|------------|-------------|------------|-------------|------------|-------------|
| | | 67 / 57 | | 71 / 60 | | 75 / 63 | | 80 / 67 | | 85 / 71 | | 90 / 75 | |
| | | Total Cap. | Power Input | Total Cap. | Power Input | Total Cap. | Power Input | Total Cap. | Power Input | Total Cap. | Power Input | Total Cap. | Power Input |
| | | MBH | kW | MBH | kW | MBH | kW | MBH | kW | MBH | kW | MBH | kW |
| 50% | -10 | 80.4 | 2.6 | 103.2 | 3.4 | 120.4 | 4.1 | 144.0 | 4.9 | 168.7 | 5.9 | 192.4 | 6.9 |
| | -5 | 84.9 | 3.0 | 103.2 | 3.6 | 120.4 | 4.3 | 144.0 | 5.3 | 168.7 | 6.3 | 192.4 | 7.3 |
| | 10 | 84.9 | 3.0 | 103.2 | 3.7 | 120.4 | 4.4 | 144.0 | 5.4 | 168.7 | 6.4 | 192.4 | 7.5 |
| | 15 | 84.9 | 3.1 | 103.2 | 3.8 | 120.4 | 4.5 | 144.0 | 5.5 | 168.7 | 6.6 | 192.4 | 7.7 |
| | 20 | 84.9 | 3.2 | 103.2 | 3.9 | 120.4 | 4.6 | 144.0 | 5.6 | 168.7 | 6.7 | 192.4 | 7.8 |
| | 25 | 84.9 | 3.2 | 103.2 | 4.0 | 120.4 | 4.7 | 144.0 | 5.7 | 168.7 | 6.9 | 192.4 | 8.0 |
| | 30 | 84.9 | 3.3 | 103.2 | 4.1 | 120.4 | 4.8 | 144.0 | 5.9 | 168.7 | 7.0 | 192.4 | 8.2 |
| | 35 | 84.9 | 3.4 | 103.2 | 4.2 | 120.4 | 4.9 | 144.0 | 6.0 | 168.7 | 7.2 | 192.4 | 8.4 |
| | 40 | 84.9 | 3.5 | 103.2 | 4.3 | 120.4 | 5.0 | 144.0 | 6.2 | 168.7 | 7.4 | 192.4 | 8.6 |
| | 45 | 84.9 | 3.6 | 103.2 | 4.4 | 120.4 | 5.2 | 144.0 | 6.3 | 168.7 | 7.6 | 192.4 | 8.8 |
| | 50 | 84.9 | 3.7 | 103.2 | 4.5 | 120.4 | 5.3 | 144.0 | 6.5 | 168.7 | 7.7 | 192.4 | 9.0 |
| | 55 | 84.9 | 3.8 | 103.2 | 4.6 | 120.4 | 5.4 | 144.0 | 6.6 | 168.7 | 8.0 | 192.4 | 9.3 |
| | 60 | 84.9 | 3.9 | 103.2 | 4.7 | 120.4 | 5.6 | 144.0 | 6.8 | 168.7 | 8.2 | 192.4 | 9.5 |
| | 65 | 84.9 | 4.0 | 103.2 | 4.9 | 120.4 | 5.8 | 144.0 | 7.0 | 168.7 | 8.4 | 192.4 | 9.8 |
| | 70 | 84.9 | 4.3 | 103.2 | 5.3 | 120.4 | 6.3 | 144.0 | 7.6 | 168.7 | 9.1 | 192.4 | 10.7 |
| | 75 | 84.9 | 4.7 | 103.2 | 5.8 | 120.4 | 6.9 | 144.0 | 8.4 | 168.7 | 10.0 | 192.4 | 11.7 |
| | 80 | 84.9 | 5.2 | 103.2 | 6.4 | 120.4 | 7.5 | 144.0 | 9.2 | 168.7 | 11.0 | 192.4 | 12.9 |
| | 85 | 84.9 | 5.7 | 103.2 | 7.0 | 120.4 | 8.3 | 144.0 | 10.1 | 168.7 | 12.1 | 192.4 | 14.1 |
| | 90 | 84.9 | 6.2 | 103.2 | 7.7 | 120.4 | 9.1 | 144.0 | 11.0 | 168.7 | 13.2 | 192.4 | 15.5 |
| | 95 | 84.9 | 6.8 | 103.2 | 8.4 | 120.4 | 9.9 | 144.0 | 12.1 | 168.7 | 14.5 | 192.4 | 16.9 |
| 100 | 84.9 | 7.4 | 103.2 | 9.1 | 120.4 | 10.8 | 144.0 | 13.1 | 168.7 | 15.7 | 192.4 | 18.3 | |
| 105 | 84.9 | 8.0 | 103.2 | 9.8 | 120.4 | 11.6 | 144.0 | 14.2 | 168.7 | 17.0 | 192.4 | 19.8 | |
| 110 | 84.9 | 8.6 | 103.2 | 10.5 | 120.4 | 12.4 | 144.0 | 15.2 | 168.7 | 18.2 | 192.4 | 21.2 | |
| 115 | 84.9 | 9.1 | 103.2 | 11.1 | 120.4 | 13.2 | 144.0 | 16.0 | 168.7 | 19.2 | 192.4 | 22.4 | |
| 118 | 84.9 | 9.3 | 103.2 | 11.5 | 120.4 | 13.5 | 144.0 | 16.5 | 168.7 | 19.7 | 192.4 | 23.1 | |
| 125 | 84.9 | 9.7 | 103.2 | 12.0 | 120.4 | 14.1 | 141.0 | 16.9 | 157.1 | 19.2 | 161.6 | 20.3 | |

NOTE - Power Input = Compressor + Outdoor Fan Motor.
 MBH = 1000 BTUs per hour.

COOLING CAPACITY - TWO MODULE | VRB312H4

| Combination (%) | Outdoor Temperature °F (Dry Bulb) | Indoor Temperature - °F (Dry Bulb / Wet Bulb) | | | | | | | | | | | |
|-----------------|-----------------------------------|---|-------------|------------|-------------|------------|-------------|------------|-------------|------------|-------------|------------|-------------|
| | | 67 / 57 | | 71 / 60 | | 75 / 63 | | 80 / 67 | | 85 / 71 | | 90 / 75 | |
| | | Total Cap. | Power Input | Total Cap. | Power Input | Total Cap. | Power Input | Total Cap. | Power Input | Total Cap. | Power Input | Total Cap. | Power Input |
| | | MBH | kW | MBH | kW | MBH | kW | MBH | kW | MBH | kW | MBH | kW |
| 130% | -10 | 239.1 | 9.1 | 290.6 | 11.2 | 339.0 | 13.3 | 405.6 | 16.2 | 475.2 | 19.4 | 522.4 | 21.8 |
| | -5 | 239.1 | 9.7 | 290.6 | 11.9 | 339.0 | 14.1 | 405.6 | 17.2 | 475.2 | 20.6 | 495.0 | 21.9 |
| | 10 | 239.1 | 9.9 | 290.6 | 12.2 | 339.0 | 14.4 | 405.6 | 17.5 | 475.2 | 21.0 | 485.4 | 22.0 |
| | 15 | 239.1 | 10.1 | 290.6 | 12.5 | 339.0 | 14.7 | 405.6 | 17.9 | 468.5 | 21.2 | 474.7 | 22.0 |
| | 20 | 239.1 | 10.4 | 290.6 | 12.7 | 339.0 | 15.0 | 405.6 | 18.3 | 457.7 | 21.1 | 463.9 | 21.9 |
| | 25 | 239.1 | 10.6 | 290.6 | 13.0 | 339.0 | 15.4 | 405.6 | 18.7 | 446.4 | 21.1 | 452.7 | 21.9 |
| | 30 | 239.1 | 10.8 | 290.6 | 13.3 | 339.0 | 15.7 | 405.6 | 19.2 | 435.6 | 21.1 | 441.9 | 21.9 |
| | 35 | 239.1 | 11.1 | 290.6 | 13.6 | 339.0 | 16.1 | 405.6 | 19.6 | 425.4 | 21.1 | 431.7 | 21.9 |
| | 40 | 239.1 | 11.4 | 290.6 | 14.0 | 339.0 | 16.5 | 405.6 | 20.1 | 418.9 | 21.2 | 425.1 | 22.1 |
| | 45 | 239.1 | 11.7 | 290.6 | 14.3 | 339.0 | 16.9 | 405.6 | 20.6 | 416.2 | 21.6 | 422.4 | 22.5 |
| | 50 | 239.1 | 12.0 | 290.6 | 14.7 | 339.0 | 17.4 | 405.6 | 21.2 | 414.1 | 22.1 | 420.4 | 23.0 |
| | 55 | 239.1 | 12.3 | 290.6 | 15.1 | 339.0 | 17.8 | 405.6 | 21.7 | 412.6 | 22.6 | 418.8 | 23.5 |
| | 60 | 239.1 | 12.6 | 290.6 | 15.5 | 339.0 | 18.3 | 405.6 | 22.3 | 413.2 | 23.2 | 417.5 | 24.0 |
| | 65 | 239.1 | 13.0 | 290.6 | 15.9 | 339.0 | 18.8 | 405.6 | 22.9 | 408.4 | 23.6 | 416.2 | 24.6 |
| | 70 | 239.1 | 14.1 | 290.6 | 17.3 | 339.0 | 20.5 | 405.6 | 24.9 | 406.7 | 25.6 | 414.5 | 26.7 |
| | 75 | 239.1 | 15.5 | 290.6 | 19.0 | 339.0 | 22.5 | 397.9 | 26.9 | 404.1 | 27.9 | 411.9 | 29.1 |
| | 80 | 239.1 | 17.0 | 290.6 | 20.9 | 339.0 | 24.7 | 393.9 | 29.2 | 400.1 | 30.3 | 407.8 | 31.6 |
| | 85 | 239.1 | 18.6 | 290.6 | 22.9 | 339.0 | 27.1 | 387.8 | 31.5 | 394.1 | 32.8 | 401.6 | 34.2 |
| | 90 | 239.1 | 20.4 | 290.6 | 25.1 | 339.0 | 29.6 | 378.9 | 33.8 | 385.1 | 35.1 | 392.5 | 36.6 |
| | 95 | 239.1 | 22.3 | 290.6 | 27.4 | 339.0 | 32.4 | 345.7 | 33.6 | 351.9 | 35.0 | 358.2 | 36.5 |
| 100 | 239.1 | 24.3 | 290.6 | 29.8 | 322.7 | 33.5 | 328.9 | 34.8 | 335.2 | 36.3 | 341.6 | 37.8 | |
| 105 | 239.1 | 26.2 | 290.6 | 32.2 | 298.4 | 33.5 | 304.6 | 34.8 | 313.7 | 36.6 | 319.7 | 38.2 | |
| 110 | 239.1 | 28.0 | 261.0 | 30.9 | 267.3 | 32.1 | 277.6 | 33.9 | 285.8 | 35.7 | 291.3 | 37.3 | |
| 115 | 220.2 | 27.3 | 226.4 | 28.4 | 234.3 | 29.7 | 243.3 | 31.5 | 250.5 | 33.1 | 255.3 | 34.6 | |
| 118 | 194.7 | 24.8 | 203.3 | 26.2 | 210.3 | 27.4 | 218.4 | 29.0 | 224.9 | 30.6 | 229.2 | 31.9 | |
| 125 | 132.1 | 17.6 | 138.0 | 18.6 | 142.7 | 19.4 | 148.2 | 20.6 | 152.6 | 21.6 | 155.6 | 22.6 | |
| 120% | -10 | 220.7 | 8.3 | 268.2 | 10.2 | 312.9 | 12.0 | 374.4 | 14.7 | 438.7 | 17.6 | 500.1 | 20.5 |
| | -5 | 220.7 | 8.8 | 268.2 | 10.8 | 312.9 | 12.8 | 374.4 | 15.6 | 438.7 | 18.7 | 486.7 | 21.2 |
| | 10 | 220.7 | 9.0 | 268.2 | 11.1 | 312.9 | 13.1 | 374.4 | 15.9 | 438.7 | 19.1 | 477.1 | 21.3 |
| | 15 | 220.7 | 9.2 | 268.2 | 11.3 | 312.9 | 13.4 | 374.4 | 16.3 | 438.7 | 19.5 | 466.5 | 21.3 |
| | 20 | 220.7 | 9.4 | 268.2 | 11.6 | 312.9 | 13.7 | 374.4 | 16.6 | 438.7 | 19.9 | 455.8 | 21.2 |
| | 25 | 220.7 | 9.6 | 268.2 | 11.8 | 312.9 | 14.0 | 374.4 | 17.0 | 438.7 | 20.4 | 444.6 | 21.2 |
| | 30 | 220.7 | 9.9 | 268.2 | 12.1 | 312.9 | 14.3 | 374.4 | 17.4 | 427.7 | 20.4 | 433.9 | 21.2 |
| | 35 | 220.7 | 10.1 | 268.2 | 12.4 | 312.9 | 14.6 | 374.4 | 17.8 | 417.5 | 20.3 | 423.8 | 21.2 |
| | 40 | 220.7 | 10.3 | 268.2 | 12.7 | 312.9 | 15.0 | 374.4 | 18.3 | 410.9 | 20.5 | 417.1 | 21.3 |
| | 45 | 220.7 | 10.6 | 268.2 | 13.0 | 312.9 | 15.4 | 374.4 | 18.7 | 408.2 | 20.9 | 414.5 | 21.7 |
| | 50 | 220.7 | 10.9 | 268.2 | 13.4 | 312.9 | 15.8 | 374.4 | 19.2 | 406.2 | 21.3 | 412.4 | 22.2 |
| | 55 | 220.7 | 11.2 | 268.2 | 13.7 | 312.9 | 16.2 | 374.4 | 19.7 | 404.7 | 21.8 | 410.9 | 22.7 |
| | 60 | 220.7 | 11.5 | 268.2 | 14.1 | 312.9 | 16.6 | 374.4 | 20.3 | 404.9 | 22.4 | 409.6 | 23.2 |
| | 65 | 220.7 | 11.8 | 268.2 | 14.5 | 312.9 | 17.1 | 374.4 | 20.8 | 400.7 | 22.8 | 408.4 | 23.8 |
| | 70 | 220.7 | 12.8 | 268.2 | 15.8 | 312.9 | 18.6 | 374.4 | 22.7 | 399.0 | 24.7 | 406.7 | 25.8 |
| | 75 | 220.7 | 14.1 | 268.2 | 17.3 | 312.9 | 20.4 | 374.4 | 24.9 | 396.5 | 26.9 | 404.1 | 28.1 |
| | 80 | 220.7 | 15.4 | 268.2 | 19.0 | 312.9 | 22.4 | 374.4 | 27.3 | 392.6 | 29.3 | 400.1 | 30.6 |
| | 85 | 220.7 | 16.9 | 268.2 | 20.8 | 312.9 | 24.6 | 374.4 | 30.0 | 386.6 | 31.6 | 394.0 | 33.0 |
| | 90 | 220.7 | 18.6 | 268.2 | 22.8 | 312.9 | 26.9 | 374.4 | 32.8 | 377.8 | 33.9 | 385.1 | 35.4 |
| | 95 | 220.7 | 20.3 | 268.2 | 24.9 | 312.9 | 29.4 | 345.7 | 33.1 | 351.9 | 34.5 | 358.2 | 35.9 |
| 100 | 220.7 | 22.0 | 268.2 | 27.1 | 312.9 | 32.0 | 328.9 | 34.3 | 335.2 | 35.7 | 341.6 | 37.3 | |
| 105 | 220.7 | 23.8 | 268.2 | 29.3 | 298.4 | 32.9 | 304.6 | 34.3 | 313.7 | 36.1 | 319.7 | 37.6 | |
| 110 | 220.7 | 25.5 | 261.0 | 30.5 | 267.3 | 31.6 | 277.6 | 33.4 | 285.8 | 35.2 | 291.3 | 36.7 | |
| 115 | 220.7 | 26.9 | 226.4 | 28.0 | 234.3 | 29.3 | 243.3 | 31.0 | 250.5 | 32.6 | 255.3 | 34.0 | |
| 118 | 194.7 | 24.4 | 203.3 | 25.8 | 210.3 | 27.0 | 218.4 | 28.6 | 224.9 | 30.1 | 229.2 | 31.4 | |
| 125 | 132.1 | 17.3 | 138.0 | 18.3 | 142.7 | 19.1 | 148.2 | 20.2 | 152.6 | 21.3 | 155.6 | 22.2 | |

NOTE - Power Input = Compressor + Outdoor Fan Motor.
 MBH = 1000 BTUs per hour.

COOLING CAPACITY - TWO MODULE | VRB312H4

| Combination (%) | Outdoor Temperature °F (Dry Bulb) | Indoor Temperature - °F (Dry Bulb / Wet Bulb) | | | | | | | | | | | |
|-----------------|-----------------------------------|---|-------------|------------|-------------|------------|-------------|------------|-------------|------------|-------------|------------|-------------|
| | | 67 / 57 | | 71 / 60 | | 75 / 63 | | 80 / 67 | | 85 / 71 | | 90 / 75 | |
| | | Total Cap. | Power Input | Total Cap. | Power Input | Total Cap. | Power Input | Total Cap. | Power Input | Total Cap. | Power Input | Total Cap. | Power Input |
| | | MBH | kW | MBH | kW | MBH | kW | MBH | kW | MBH | kW | MBH | kW |
| 90% | -10 | 165.5 | 6.0 | 201.2 | 7.3 | 234.7 | 8.6 | 280.8 | 10.5 | 329.0 | 12.6 | 375.1 | 14.7 |
| | -5 | 165.5 | 6.3 | 201.2 | 7.8 | 234.7 | 9.2 | 280.8 | 11.2 | 329.0 | 13.4 | 375.1 | 15.6 |
| | 10 | 165.5 | 6.5 | 201.2 | 7.9 | 234.7 | 9.4 | 280.8 | 11.4 | 329.0 | 13.7 | 375.1 | 16.0 |
| | 15 | 165.5 | 6.6 | 201.2 | 8.1 | 234.7 | 9.6 | 280.8 | 11.7 | 329.0 | 14.0 | 375.1 | 16.3 |
| | 20 | 165.5 | 6.7 | 201.2 | 8.3 | 234.7 | 9.8 | 280.8 | 11.9 | 329.0 | 14.3 | 375.1 | 16.7 |
| | 25 | 165.5 | 6.9 | 201.2 | 8.5 | 234.7 | 10.0 | 280.8 | 12.2 | 329.0 | 14.6 | 375.1 | 17.1 |
| | 30 | 165.5 | 7.1 | 201.2 | 8.7 | 234.7 | 10.3 | 280.8 | 12.5 | 329.0 | 15.0 | 375.1 | 17.5 |
| | 35 | 165.5 | 7.2 | 201.2 | 8.9 | 234.7 | 10.5 | 280.8 | 12.8 | 329.0 | 15.3 | 375.1 | 17.9 |
| | 40 | 165.5 | 7.4 | 201.2 | 9.1 | 234.7 | 10.8 | 280.8 | 13.1 | 329.0 | 15.7 | 375.1 | 18.3 |
| | 45 | 165.5 | 7.6 | 201.2 | 9.3 | 234.7 | 11.0 | 280.8 | 13.4 | 329.0 | 16.1 | 375.1 | 18.8 |
| | 50 | 165.5 | 7.8 | 201.2 | 9.6 | 234.7 | 11.3 | 280.8 | 13.8 | 329.0 | 16.5 | 375.1 | 19.3 |
| | 55 | 165.5 | 8.0 | 201.2 | 9.8 | 234.7 | 11.6 | 280.8 | 14.1 | 329.0 | 16.9 | 375.1 | 19.8 |
| | 60 | 165.5 | 8.2 | 201.2 | 10.1 | 234.7 | 11.9 | 280.8 | 14.5 | 329.0 | 17.4 | 375.1 | 20.3 |
| | 65 | 165.5 | 8.4 | 201.2 | 10.4 | 234.7 | 12.3 | 280.8 | 14.9 | 329.0 | 17.9 | 375.1 | 20.9 |
| | 70 | 165.5 | 9.2 | 201.2 | 11.3 | 234.7 | 13.3 | 280.8 | 16.2 | 329.0 | 19.5 | 375.1 | 22.7 |
| | 75 | 165.5 | 10.1 | 201.2 | 12.4 | 234.7 | 14.6 | 280.8 | 17.8 | 329.0 | 21.4 | 375.1 | 24.9 |
| | 80 | 165.5 | 11.1 | 201.2 | 13.6 | 234.7 | 16.1 | 280.8 | 19.6 | 329.0 | 23.5 | 375.1 | 27.4 |
| 85 | 165.5 | 12.1 | 201.2 | 14.9 | 234.7 | 17.6 | 280.8 | 21.5 | 329.0 | 25.7 | 371.3 | 29.8 | |
| 90 | 165.5 | 13.3 | 201.2 | 16.4 | 234.7 | 19.3 | 280.8 | 23.5 | 329.0 | 28.2 | 362.9 | 31.9 | |
| 95 | 165.5 | 14.5 | 201.2 | 17.9 | 234.7 | 21.1 | 280.8 | 25.7 | 329.0 | 30.8 | 358.2 | 34.3 | |
| 100 | 165.5 | 15.8 | 201.2 | 19.4 | 234.7 | 22.9 | 280.8 | 27.9 | 328.5 | 33.4 | 341.6 | 35.6 | |
| 105 | 165.5 | 17.1 | 201.2 | 21.0 | 234.7 | 24.8 | 280.8 | 30.2 | 313.7 | 34.5 | 319.7 | 36.0 | |
| 110 | 165.5 | 18.3 | 201.2 | 22.4 | 234.7 | 26.5 | 277.6 | 31.9 | 285.8 | 33.6 | 291.3 | 35.1 | |
| 115 | 165.5 | 19.3 | 201.2 | 23.7 | 234.3 | 28.0 | 243.3 | 29.6 | 250.5 | 31.2 | 255.3 | 32.5 | |
| 118 | 165.5 | 19.9 | 201.2 | 24.4 | 210.3 | 25.8 | 218.4 | 27.3 | 224.9 | 28.8 | 229.2 | 30.0 | |
| 125 | 132.1 | 16.5 | 138.0 | 17.5 | 142.7 | 18.3 | 148.2 | 19.3 | 152.6 | 20.4 | 155.6 | 21.3 | |
| 80% | -10 | 147.2 | 5.2 | 178.8 | 6.4 | 208.6 | 7.6 | 249.6 | 9.2 | 292.4 | 11.0 | 333.4 | 12.9 |
| | -5 | 147.2 | 5.5 | 178.8 | 6.8 | 208.6 | 8.0 | 249.6 | 9.8 | 292.4 | 11.7 | 333.4 | 13.7 |
| | 10 | 147.2 | 5.7 | 178.8 | 7.0 | 208.6 | 8.2 | 249.6 | 10.0 | 292.4 | 12.0 | 333.4 | 14.0 |
| | 15 | 147.2 | 5.8 | 178.8 | 7.1 | 208.6 | 8.4 | 249.6 | 10.2 | 292.4 | 12.3 | 333.4 | 14.3 |
| | 20 | 147.2 | 5.9 | 178.8 | 7.3 | 208.6 | 8.6 | 249.6 | 10.5 | 292.4 | 12.5 | 333.4 | 14.6 |
| | 25 | 147.2 | 6.0 | 178.8 | 7.4 | 208.6 | 8.8 | 249.6 | 10.7 | 292.4 | 12.8 | 333.4 | 15.0 |
| | 30 | 147.2 | 6.2 | 178.8 | 7.6 | 208.6 | 9.0 | 249.6 | 10.9 | 292.4 | 13.1 | 333.4 | 15.3 |
| | 35 | 147.2 | 6.3 | 178.8 | 7.8 | 208.6 | 9.2 | 249.6 | 11.2 | 292.4 | 13.4 | 333.4 | 15.7 |
| | 40 | 147.2 | 6.5 | 178.8 | 8.0 | 208.6 | 9.4 | 249.6 | 11.5 | 292.4 | 13.8 | 333.4 | 16.1 |
| | 45 | 147.2 | 6.7 | 178.8 | 8.2 | 208.6 | 9.7 | 249.6 | 11.8 | 292.4 | 14.1 | 333.4 | 16.5 |
| | 50 | 147.2 | 6.8 | 178.8 | 8.4 | 208.6 | 9.9 | 249.6 | 12.1 | 292.4 | 14.5 | 333.4 | 16.9 |
| | 55 | 147.2 | 7.0 | 178.8 | 8.6 | 208.6 | 10.2 | 249.6 | 12.4 | 292.4 | 14.8 | 333.4 | 17.3 |
| | 60 | 147.2 | 7.2 | 178.8 | 8.8 | 208.6 | 10.4 | 249.6 | 12.7 | 292.4 | 15.2 | 333.4 | 17.8 |
| | 65 | 147.2 | 7.4 | 178.8 | 9.1 | 208.6 | 10.7 | 249.6 | 13.1 | 292.4 | 15.7 | 333.4 | 18.3 |
| | 70 | 147.2 | 8.0 | 178.8 | 9.9 | 208.6 | 11.7 | 249.6 | 14.2 | 292.4 | 17.0 | 333.4 | 19.9 |
| | 75 | 147.2 | 8.8 | 178.8 | 10.9 | 208.6 | 12.8 | 249.6 | 15.6 | 292.4 | 18.7 | 333.4 | 21.9 |
| | 80 | 147.2 | 9.7 | 178.8 | 11.9 | 208.6 | 14.1 | 249.6 | 17.2 | 292.4 | 20.5 | 333.4 | 24.0 |
| 85 | 147.2 | 10.6 | 178.8 | 13.1 | 208.6 | 15.4 | 249.6 | 18.8 | 292.4 | 22.5 | 333.4 | 26.3 | |
| 90 | 147.2 | 11.7 | 178.8 | 14.3 | 208.6 | 16.9 | 249.6 | 20.6 | 292.4 | 24.7 | 333.4 | 28.8 | |
| 95 | 147.2 | 12.7 | 178.8 | 15.6 | 208.6 | 18.5 | 249.6 | 22.5 | 292.4 | 27.0 | 333.4 | 31.5 | |
| 100 | 147.2 | 13.8 | 178.8 | 17.0 | 208.6 | 20.1 | 249.6 | 24.5 | 292.4 | 29.3 | 333.4 | 34.2 | |
| 105 | 147.2 | 14.9 | 178.8 | 18.4 | 208.6 | 21.7 | 249.6 | 26.4 | 292.4 | 31.7 | 319.7 | 35.5 | |
| 110 | 147.2 | 16.0 | 178.8 | 19.7 | 208.6 | 23.2 | 249.6 | 28.3 | 285.8 | 33.1 | 291.3 | 34.6 | |
| 115 | 147.2 | 16.9 | 178.8 | 20.8 | 208.6 | 24.6 | 243.3 | 29.2 | 250.5 | 30.7 | 255.3 | 32.1 | |
| 118 | 147.2 | 17.4 | 178.8 | 21.4 | 208.6 | 25.2 | 218.4 | 26.9 | 224.9 | 28.3 | 229.2 | 29.6 | |
| 125 | 132.1 | 16.3 | 138.0 | 17.2 | 142.7 | 18.0 | 148.2 | 19.1 | 152.6 | 20.1 | 155.6 | 20.9 | |

NOTE - Power Input = Compressor + Outdoor Fan Motor.
MBH = 1000 BTUs per hour.

COOLING CAPACITY - TWO MODULE | VRB312H4

| Combination (%) | Outdoor Temperature °F (Dry Bulb) | Indoor Temperature - °F (Dry Bulb / Wet Bulb) | | | | | | | | | | | |
|-----------------|-----------------------------------|---|-------------|------------|-------------|------------|-------------|------------|-------------|------------|-------------|------------|-------------|
| | | 67 / 57 | | 71 / 60 | | 75 / 63 | | 80 / 67 | | 85 / 71 | | 90 / 75 | |
| | | Total Cap. | Power Input | Total Cap. | Power Input | Total Cap. | Power Input | Total Cap. | Power Input | Total Cap. | Power Input | Total Cap. | Power Input |
| | | MBH | kW | MBH | kW | MBH | kW | MBH | kW | MBH | kW | MBH | kW |
| 50% | -10 | 84.8 | 2.9 | 111.8 | 3.8 | 130.4 | 4.5 | 156.0 | 5.5 | 182.8 | 6.6 | 208.4 | 7.7 |
| | -5 | 92.0 | 3.3 | 111.8 | 4.1 | 130.4 | 4.8 | 156.0 | 5.9 | 182.8 | 7.0 | 208.4 | 8.2 |
| | 10 | 92.0 | 3.4 | 111.8 | 4.2 | 130.4 | 4.9 | 156.0 | 6.0 | 182.8 | 7.2 | 208.4 | 8.4 |
| | 15 | 92.0 | 3.5 | 111.8 | 4.3 | 130.4 | 5.0 | 156.0 | 6.1 | 182.8 | 7.3 | 208.4 | 8.6 |
| | 20 | 92.0 | 3.5 | 111.8 | 4.3 | 130.4 | 5.1 | 156.0 | 6.3 | 182.8 | 7.5 | 208.4 | 8.8 |
| | 25 | 92.0 | 3.6 | 111.8 | 4.4 | 130.4 | 5.3 | 156.0 | 6.4 | 182.8 | 7.7 | 208.4 | 9.0 |
| | 30 | 92.0 | 3.7 | 111.8 | 4.6 | 130.4 | 5.4 | 156.0 | 6.6 | 182.8 | 7.8 | 208.4 | 9.2 |
| | 35 | 92.0 | 3.8 | 111.8 | 4.7 | 130.4 | 5.5 | 156.0 | 6.7 | 182.8 | 8.0 | 208.4 | 9.4 |
| | 40 | 92.0 | 3.9 | 111.8 | 4.8 | 130.4 | 5.6 | 156.0 | 6.9 | 182.8 | 8.2 | 208.4 | 9.6 |
| | 45 | 92.0 | 4.0 | 111.8 | 4.9 | 130.4 | 5.8 | 156.0 | 7.0 | 182.8 | 8.4 | 208.4 | 9.9 |
| | 50 | 92.0 | 4.1 | 111.8 | 5.0 | 130.4 | 5.9 | 156.0 | 7.2 | 182.8 | 8.7 | 208.4 | 10.1 |
| | 55 | 92.0 | 4.2 | 111.8 | 5.2 | 130.4 | 6.1 | 156.0 | 7.4 | 182.8 | 8.9 | 208.4 | 10.4 |
| | 60 | 92.0 | 4.3 | 111.8 | 5.3 | 130.4 | 6.3 | 156.0 | 7.6 | 182.8 | 9.1 | 208.4 | 10.7 |
| | 65 | 92.0 | 4.4 | 111.8 | 5.4 | 130.4 | 6.4 | 156.0 | 7.8 | 182.8 | 9.4 | 208.4 | 11.0 |
| | 70 | 92.0 | 4.8 | 111.8 | 5.9 | 130.4 | 7.0 | 156.0 | 8.5 | 182.8 | 10.2 | 208.4 | 11.9 |
| | 75 | 92.0 | 5.3 | 111.8 | 6.5 | 130.4 | 7.7 | 156.0 | 9.4 | 182.8 | 11.2 | 208.4 | 13.1 |
| | 80 | 92.0 | 5.8 | 111.8 | 7.1 | 130.4 | 8.4 | 156.0 | 10.3 | 182.8 | 12.3 | 208.4 | 14.4 |
| | 85 | 92.0 | 6.4 | 111.8 | 7.8 | 130.4 | 9.2 | 156.0 | 11.3 | 182.8 | 13.5 | 208.4 | 15.8 |
| 90 | 92.0 | 7.0 | 111.8 | 8.6 | 130.4 | 10.1 | 156.0 | 12.3 | 182.8 | 14.8 | 208.4 | 17.3 | |
| 95 | 92.0 | 7.6 | 111.8 | 9.4 | 130.4 | 11.1 | 156.0 | 13.5 | 182.8 | 16.2 | 208.4 | 18.9 | |
| 100 | 92.0 | 8.3 | 111.8 | 10.2 | 130.4 | 12.0 | 156.0 | 14.7 | 182.8 | 17.6 | 208.4 | 20.5 | |
| 105 | 92.0 | 8.9 | 111.8 | 11.0 | 130.4 | 13.0 | 156.0 | 15.8 | 182.8 | 19.0 | 208.4 | 22.1 | |
| 110 | 92.0 | 9.6 | 111.8 | 11.8 | 130.4 | 13.9 | 156.0 | 16.9 | 182.8 | 20.3 | 208.4 | 23.7 | |
| 115 | 92.0 | 10.1 | 111.8 | 12.5 | 130.4 | 14.7 | 156.0 | 17.9 | 182.8 | 21.5 | 208.4 | 25.1 | |
| 118 | 92.0 | 10.4 | 111.8 | 12.8 | 130.4 | 15.1 | 156.0 | 18.4 | 182.8 | 22.1 | 208.4 | 25.8 | |
| 125 | 92.0 | 10.9 | 111.8 | 13.4 | 130.4 | 15.8 | 148.2 | 18.3 | 152.6 | 19.2 | 155.6 | 20.1 | |

NOTE - Power Input = Compressor + Outdoor Fan Motor.
 MBH = 1000 BTUs per hour.

COOLING CAPACITY - TWO MODULE | VRB336H4

| Combination (%) | Outdoor Temperature °F (Dry Bulb) | Indoor Temperature - °F (Dry Bulb / Wet Bulb) | | | | | | | | | | | |
|-----------------|-----------------------------------|---|-------------|------------|-------------|------------|-------------|------------|-------------|------------|-------------|------------|-------------|
| | | 67 / 57 | | 71 / 60 | | 75 / 63 | | 80 / 67 | | 85 / 71 | | 90 / 75 | |
| | | Total Cap. | Power Input | Total Cap. | Power Input | Total Cap. | Power Input | Total Cap. | Power Input | Total Cap. | Power Input | Total Cap. | Power Input |
| | | MBH | kW | MBH | kW | MBH | kW | MBH | kW | MBH | kW | MBH | kW |
| 50% | -10 | 95.5 | 3.3 | 120.4 | 4.2 | 140.4 | 5.0 | 168.0 | 6.1 | 196.8 | 7.2 | 224.4 | 8.5 |
| | -5 | 99.0 | 3.6 | 120.4 | 4.5 | 140.4 | 5.3 | 168.0 | 6.4 | 196.8 | 7.7 | 224.4 | 9.0 |
| | 10 | 99.0 | 3.7 | 120.4 | 4.6 | 140.4 | 5.4 | 168.0 | 6.6 | 196.8 | 7.9 | 224.4 | 9.2 |
| | 15 | 99.0 | 3.8 | 120.4 | 4.7 | 140.4 | 5.5 | 168.0 | 6.7 | 196.8 | 8.0 | 224.4 | 9.4 |
| | 20 | 99.0 | 3.9 | 120.4 | 4.8 | 140.4 | 5.6 | 168.0 | 6.9 | 196.8 | 8.2 | 224.4 | 9.6 |
| | 25 | 99.0 | 4.0 | 120.4 | 4.9 | 140.4 | 5.8 | 168.0 | 7.0 | 196.8 | 8.4 | 224.4 | 9.8 |
| | 30 | 99.0 | 4.1 | 120.4 | 5.0 | 140.4 | 5.9 | 168.0 | 7.2 | 196.8 | 8.6 | 224.4 | 10.0 |
| | 35 | 99.0 | 4.2 | 120.4 | 5.1 | 140.4 | 6.0 | 168.0 | 7.4 | 196.8 | 8.8 | 224.4 | 10.3 |
| | 40 | 99.0 | 4.3 | 120.4 | 5.2 | 140.4 | 6.2 | 168.0 | 7.5 | 196.8 | 9.0 | 224.4 | 10.5 |
| | 45 | 99.0 | 4.4 | 120.4 | 5.4 | 140.4 | 6.3 | 168.0 | 7.7 | 196.8 | 9.3 | 224.4 | 10.8 |
| | 50 | 99.0 | 4.5 | 120.4 | 5.5 | 140.4 | 6.5 | 168.0 | 7.9 | 196.8 | 9.5 | 224.4 | 11.1 |
| | 55 | 99.0 | 4.6 | 120.4 | 5.6 | 140.4 | 6.7 | 168.0 | 8.1 | 196.8 | 9.7 | 224.4 | 11.4 |
| | 60 | 99.0 | 4.7 | 120.4 | 5.8 | 140.4 | 6.9 | 168.0 | 8.4 | 196.8 | 10.0 | 224.4 | 11.7 |
| | 65 | 99.0 | 4.9 | 120.4 | 6.0 | 140.4 | 7.0 | 168.0 | 8.6 | 196.8 | 10.3 | 224.4 | 12.0 |
| | 70 | 99.0 | 5.3 | 120.4 | 6.5 | 140.4 | 7.7 | 168.0 | 9.3 | 196.8 | 11.2 | 224.4 | 13.1 |
| | 75 | 99.0 | 5.8 | 120.4 | 7.1 | 140.4 | 8.4 | 168.0 | 10.3 | 196.8 | 12.3 | 224.4 | 14.3 |
| | 80 | 99.0 | 6.4 | 120.4 | 7.8 | 140.4 | 9.2 | 168.0 | 11.3 | 196.8 | 13.5 | 224.4 | 15.7 |
| | 85 | 99.0 | 7.0 | 120.4 | 8.6 | 140.4 | 10.1 | 168.0 | 12.4 | 196.8 | 14.8 | 224.4 | 17.3 |
| | 90 | 99.0 | 7.6 | 120.4 | 9.4 | 140.4 | 11.1 | 168.0 | 13.5 | 196.8 | 16.2 | 224.4 | 18.9 |
| | 95 | 99.0 | 8.4 | 120.4 | 10.3 | 140.4 | 12.1 | 168.0 | 14.8 | 196.8 | 17.7 | 224.4 | 20.7 |
| 100 | 99.0 | 9.1 | 120.4 | 11.2 | 140.4 | 13.2 | 168.0 | 16.1 | 196.8 | 19.2 | 224.4 | 22.5 | |
| 105 | 99.0 | 9.8 | 120.4 | 12.1 | 140.4 | 14.2 | 168.0 | 17.3 | 196.8 | 20.8 | 224.4 | 24.3 | |
| 110 | 99.0 | 10.5 | 120.4 | 12.9 | 140.4 | 15.2 | 168.0 | 18.6 | 196.8 | 22.2 | 224.4 | 26.0 | |
| 115 | 99.0 | 11.1 | 120.4 | 13.6 | 140.4 | 16.1 | 168.0 | 19.6 | 196.8 | 23.5 | 224.4 | 27.5 | |
| 118 | 99.0 | 11.4 | 120.4 | 14.0 | 140.4 | 16.6 | 168.0 | 20.2 | 196.8 | 24.2 | 224.4 | 28.2 | |
| 125 | 99.0 | 11.9 | 120.4 | 14.6 | 140.4 | 17.3 | 168.0 | 21.1 | 196.8 | 25.2 | 203.5 | 26.7 | |

NOTE - Power Input = Compressor + Outdoor Fan Motor.
 MBH = 1000 BTUs per hour.

COOLING CAPACITY - TWO MODULE | VRB360H4

| Combination (%) | Outdoor Temperature °F (Dry Bulb) | Indoor Temperature - °F (Dry Bulb / Wet Bulb) | | | | | | | | | | | |
|-----------------|-----------------------------------|---|-------------|------------|-------------|------------|-------------|------------|-------------|------------|-------------|------------|-------------|
| | | 67 / 57 | | 71 / 60 | | 75 / 63 | | 80 / 67 | | 85 / 71 | | 90 / 75 | |
| | | Total Cap. | Power Input | Total Cap. | Power Input | Total Cap. | Power Input | Total Cap. | Power Input | Total Cap. | Power Input | Total Cap. | Power Input |
| | | MBH | kW | MBH | kW | MBH | kW | MBH | kW | MBH | kW | MBH | kW |
| 130% | -10 | 275.9 | 11.1 | 335.3 | 13.6 | 391.2 | 16.1 | 468.0 | 19.6 | 548.3 | 23.5 | 613.2 | 26.9 |
| | -5 | 275.9 | 11.8 | 335.3 | 14.5 | 391.2 | 17.1 | 468.0 | 20.9 | 548.3 | 25.0 | 583.2 | 27.2 |
| | 10 | 275.9 | 12.1 | 335.3 | 14.8 | 391.2 | 17.5 | 468.0 | 21.3 | 548.3 | 25.5 | 572.5 | 27.3 |
| | 15 | 275.9 | 12.3 | 335.3 | 15.1 | 391.2 | 17.9 | 468.0 | 21.8 | 544.2 | 25.9 | 560.7 | 27.3 |
| | 20 | 275.9 | 12.6 | 335.3 | 15.5 | 391.2 | 18.3 | 468.0 | 22.3 | 537.5 | 26.1 | 548.8 | 27.3 |
| | 25 | 275.9 | 12.9 | 335.3 | 15.8 | 391.2 | 18.7 | 468.0 | 22.8 | 530.6 | 26.4 | 536.5 | 27.3 |
| | 30 | 275.9 | 13.2 | 335.3 | 16.2 | 391.2 | 19.1 | 468.0 | 23.3 | 517.6 | 26.3 | 524.8 | 27.4 |
| | 35 | 275.9 | 13.5 | 335.3 | 16.6 | 391.2 | 19.6 | 468.0 | 23.9 | 506.6 | 26.4 | 513.8 | 27.4 |
| | 40 | 275.9 | 13.8 | 335.3 | 17.0 | 391.2 | 20.1 | 468.0 | 24.4 | 500.0 | 26.7 | 507.2 | 27.7 |
| | 45 | 275.9 | 14.2 | 335.3 | 17.4 | 391.2 | 20.6 | 468.0 | 25.1 | 498.0 | 27.2 | 505.2 | 28.3 |
| | 50 | 275.9 | 14.5 | 335.3 | 17.9 | 391.2 | 21.1 | 468.0 | 25.7 | 496.7 | 27.9 | 503.9 | 29.0 |
| | 55 | 275.9 | 14.9 | 335.3 | 18.3 | 391.2 | 21.6 | 468.0 | 26.4 | 496.0 | 28.6 | 503.2 | 29.7 |
| | 60 | 275.9 | 15.3 | 335.3 | 18.8 | 391.2 | 22.2 | 468.0 | 27.1 | 497.7 | 29.4 | 502.9 | 30.5 |
| | 65 | 275.9 | 15.8 | 335.3 | 19.4 | 391.2 | 22.9 | 468.0 | 27.9 | 493.0 | 30.0 | 502.5 | 31.3 |
| | 70 | 275.9 | 17.1 | 335.3 | 21.1 | 391.2 | 24.9 | 468.0 | 30.3 | 492.1 | 32.6 | 501.5 | 34.0 |
| | 75 | 275.9 | 18.8 | 335.3 | 23.1 | 391.2 | 27.3 | 463.3 | 32.9 | 490.0 | 35.6 | 499.4 | 37.1 |
| | 80 | 275.9 | 20.6 | 335.3 | 25.4 | 391.2 | 30.0 | 460.8 | 36.0 | 486.2 | 38.8 | 495.5 | 40.5 |
| | 85 | 275.9 | 22.7 | 335.3 | 27.8 | 391.2 | 32.9 | 457.1 | 39.1 | 479.8 | 42.0 | 489.0 | 43.8 |
| | 90 | 275.9 | 24.8 | 335.3 | 30.5 | 391.2 | 36.0 | 451.6 | 42.3 | 469.8 | 45.0 | 478.9 | 47.0 |
| | 95 | 275.9 | 27.1 | 335.3 | 33.3 | 391.2 | 39.3 | 423.5 | 43.4 | 430.7 | 45.1 | 437.9 | 46.9 |
| 100 | 275.9 | 29.5 | 335.3 | 36.2 | 381.1 | 41.7 | 403.6 | 44.9 | 410.8 | 46.7 | 418.7 | 48.8 | |
| 105 | 275.9 | 31.8 | 335.3 | 39.1 | 366.2 | 43.2 | 374.4 | 45.0 | 385.5 | 47.4 | 392.9 | 49.4 | |
| 110 | 275.9 | 34.1 | 317.1 | 39.6 | 329.7 | 41.6 | 342.4 | 44.0 | 352.6 | 46.3 | 359.3 | 48.4 | |
| 115 | 264.2 | 34.5 | 280.7 | 37.0 | 290.5 | 38.8 | 301.6 | 41.0 | 310.6 | 43.2 | 316.6 | 45.1 | |
| 118 | 242.5 | 32.5 | 253.1 | 34.3 | 261.9 | 36.0 | 272.0 | 38.0 | 280.1 | 40.0 | 285.4 | 41.8 | |
| 125 | 167.7 | 23.5 | 175.1 | 24.8 | 181.2 | 25.9 | 188.2 | 27.4 | 193.8 | 28.9 | 197.5 | 30.2 | |
| 120% | -10 | 254.7 | 10.1 | 309.5 | 12.4 | 361.1 | 14.6 | 432.0 | 17.8 | 506.1 | 21.4 | 577.1 | 25.0 |
| | -5 | 254.7 | 10.7 | 309.5 | 13.2 | 361.1 | 15.6 | 432.0 | 19.0 | 506.1 | 22.7 | 568.8 | 26.1 |
| | 10 | 254.7 | 11.0 | 309.5 | 13.5 | 361.1 | 15.9 | 432.0 | 19.4 | 506.1 | 23.2 | 562.7 | 26.4 |
| | 15 | 254.7 | 11.2 | 309.5 | 13.8 | 361.1 | 16.2 | 432.0 | 19.8 | 506.1 | 23.7 | 551.0 | 26.4 |
| | 20 | 254.7 | 11.4 | 309.5 | 14.1 | 361.1 | 16.6 | 432.0 | 20.2 | 506.1 | 24.2 | 539.2 | 26.4 |
| | 25 | 254.7 | 11.7 | 309.5 | 14.4 | 361.1 | 17.0 | 432.0 | 20.7 | 506.1 | 24.8 | 527.0 | 26.4 |
| | 30 | 254.7 | 12.0 | 309.5 | 14.7 | 361.1 | 17.4 | 432.0 | 21.2 | 499.4 | 25.0 | 515.3 | 26.4 |
| | 35 | 254.7 | 12.3 | 309.5 | 15.1 | 361.1 | 17.8 | 432.0 | 21.7 | 493.1 | 25.3 | 504.4 | 26.5 |
| | 40 | 254.7 | 12.6 | 309.5 | 15.4 | 361.1 | 18.2 | 432.0 | 22.2 | 489.0 | 25.7 | 497.6 | 26.8 |
| | 45 | 254.7 | 12.9 | 309.5 | 15.8 | 361.1 | 18.7 | 432.0 | 22.8 | 487.4 | 26.3 | 495.6 | 27.3 |
| | 50 | 254.7 | 13.2 | 309.5 | 16.2 | 361.1 | 19.2 | 432.0 | 23.4 | 486.2 | 26.9 | 494.4 | 28.0 |
| | 55 | 254.7 | 13.6 | 309.5 | 16.7 | 361.1 | 19.7 | 432.0 | 24.0 | 485.2 | 27.5 | 493.7 | 28.7 |
| | 60 | 254.7 | 13.9 | 309.5 | 17.1 | 361.1 | 20.2 | 432.0 | 24.6 | 485.4 | 28.3 | 493.4 | 29.4 |
| | 65 | 254.7 | 14.3 | 309.5 | 17.6 | 361.1 | 20.8 | 432.0 | 25.3 | 482.8 | 28.9 | 493.0 | 30.2 |
| | 70 | 254.7 | 15.6 | 309.5 | 19.1 | 361.1 | 22.6 | 432.0 | 27.5 | 481.8 | 31.4 | 492.0 | 32.8 |
| | 75 | 254.7 | 17.1 | 309.5 | 21.0 | 361.1 | 24.8 | 432.0 | 30.2 | 480.2 | 34.3 | 490.0 | 35.9 |
| | 80 | 254.7 | 18.8 | 309.5 | 23.1 | 361.1 | 27.2 | 432.0 | 33.2 | 477.0 | 37.4 | 486.2 | 39.1 |
| | 85 | 254.7 | 20.6 | 309.5 | 25.3 | 361.1 | 29.9 | 432.0 | 36.4 | 470.7 | 40.5 | 479.7 | 42.3 |
| | 90 | 254.7 | 22.6 | 309.5 | 27.7 | 361.1 | 32.7 | 432.0 | 39.9 | 461.0 | 43.5 | 469.8 | 45.4 |
| | 95 | 254.7 | 24.6 | 309.5 | 30.3 | 361.1 | 35.8 | 414.3 | 41.8 | 430.7 | 44.4 | 437.9 | 46.2 |
| 100 | 254.7 | 26.8 | 309.5 | 32.9 | 361.1 | 38.9 | 404.0 | 44.3 | 410.8 | 46.0 | 418.7 | 48.0 | |
| 105 | 254.7 | 28.9 | 309.5 | 35.5 | 352.1 | 40.9 | 374.4 | 44.3 | 385.5 | 46.6 | 392.9 | 48.7 | |
| 110 | 254.7 | 30.9 | 305.1 | 37.5 | 329.7 | 41.0 | 342.4 | 43.3 | 352.6 | 45.6 | 359.3 | 47.6 | |
| 115 | 254.7 | 32.7 | 280.7 | 36.5 | 290.5 | 38.2 | 301.6 | 40.4 | 310.6 | 42.5 | 316.6 | 44.4 | |
| 118 | 238.7 | 31.5 | 253.1 | 33.8 | 261.9 | 35.4 | 272.0 | 37.4 | 280.1 | 39.4 | 285.4 | 41.2 | |
| 125 | 167.7 | 23.1 | 175.1 | 24.4 | 181.2 | 25.5 | 188.2 | 27.0 | 193.8 | 28.4 | 197.5 | 29.7 | |

NOTE - Power Input = Compressor + Outdoor Fan Motor.
MBH = 1000 BTUs per hour.

COOLING CAPACITY - TWO MODULE | VRB360H4

| Combination (%) | Outdoor Temperature °F (Dry Bulb) | Indoor Temperature - °F (Dry Bulb / Wet Bulb) | | | | | | | | | | | |
|-----------------|-----------------------------------|---|-------------|------------|-------------|------------|-------------|------------|-------------|------------|-------------|------------|-------------|
| | | 67 / 57 | | 71 / 60 | | 75 / 63 | | 80 / 67 | | 85 / 71 | | 90 / 75 | |
| | | Total Cap. | Power Input | Total Cap. | Power Input | Total Cap. | Power Input | Total Cap. | Power Input | Total Cap. | Power Input | Total Cap. | Power Input |
| | | MBH | KW | MBH | KW | MBH | KW | MBH | KW | MBH | KW | MBH | KW |
| 70% | -10 | 148.6 | 5.5 | 180.5 | 6.7 | 210.6 | 7.9 | 252.0 | 9.7 | 295.3 | 11.6 | 336.6 | 13.5 |
| | -5 | 148.6 | 5.8 | 180.5 | 7.1 | 210.6 | 8.4 | 252.0 | 10.3 | 295.3 | 12.3 | 336.6 | 14.4 |
| | 10 | 148.6 | 5.9 | 180.5 | 7.3 | 210.6 | 8.6 | 252.0 | 10.5 | 295.3 | 12.6 | 336.6 | 14.7 |
| | 15 | 148.6 | 6.1 | 180.5 | 7.4 | 210.6 | 8.8 | 252.0 | 10.7 | 295.3 | 12.8 | 336.6 | 15.0 |
| | 20 | 148.6 | 6.2 | 180.5 | 7.6 | 210.6 | 9.0 | 252.0 | 11.0 | 295.3 | 13.1 | 336.6 | 15.3 |
| | 25 | 148.6 | 6.3 | 180.5 | 7.8 | 210.6 | 9.2 | 252.0 | 11.2 | 295.3 | 13.4 | 336.6 | 15.7 |
| | 30 | 148.6 | 6.5 | 180.5 | 8.0 | 210.6 | 9.4 | 252.0 | 11.5 | 295.3 | 13.7 | 336.6 | 16.0 |
| | 35 | 148.6 | 6.6 | 180.5 | 8.2 | 210.6 | 9.6 | 252.0 | 11.7 | 295.3 | 14.1 | 336.6 | 16.4 |
| | 40 | 148.6 | 6.8 | 180.5 | 8.4 | 210.6 | 9.9 | 252.0 | 12.0 | 295.3 | 14.4 | 336.6 | 16.8 |
| | 45 | 148.6 | 7.0 | 180.5 | 8.6 | 210.6 | 10.1 | 252.0 | 12.3 | 295.3 | 14.8 | 336.6 | 17.2 |
| | 50 | 148.6 | 7.2 | 180.5 | 8.8 | 210.6 | 10.4 | 252.0 | 12.7 | 295.3 | 15.2 | 336.6 | 17.7 |
| | 55 | 148.6 | 7.3 | 180.5 | 9.0 | 210.6 | 10.7 | 252.0 | 13.0 | 295.3 | 15.6 | 336.6 | 18.2 |
| | 60 | 148.6 | 7.5 | 180.5 | 9.3 | 210.6 | 10.9 | 252.0 | 13.3 | 295.3 | 16.0 | 336.6 | 18.7 |
| | 65 | 148.6 | 7.8 | 180.5 | 9.5 | 210.6 | 11.2 | 252.0 | 13.7 | 295.3 | 16.4 | 336.6 | 19.2 |
| | 70 | 148.6 | 8.4 | 180.5 | 10.4 | 210.6 | 12.2 | 252.0 | 14.9 | 295.3 | 17.9 | 336.6 | 20.9 |
| | 75 | 148.6 | 9.3 | 180.5 | 11.4 | 210.6 | 13.4 | 252.0 | 16.4 | 295.3 | 19.6 | 336.6 | 22.9 |
| | 80 | 148.6 | 10.2 | 180.5 | 12.5 | 210.6 | 14.7 | 252.0 | 18.0 | 295.3 | 21.5 | 336.6 | 25.1 |
| | 85 | 148.6 | 11.1 | 180.5 | 13.7 | 210.6 | 16.2 | 252.0 | 19.7 | 295.3 | 23.6 | 336.6 | 27.6 |
| | 90 | 148.6 | 12.2 | 180.5 | 15.0 | 210.6 | 17.7 | 252.0 | 21.6 | 295.3 | 25.9 | 336.6 | 30.2 |
| | 95 | 148.6 | 13.3 | 180.5 | 16.4 | 210.6 | 19.4 | 252.0 | 23.6 | 295.3 | 28.3 | 336.6 | 33.0 |
| 100 | 148.6 | 14.5 | 180.5 | 17.8 | 210.6 | 21.0 | 252.0 | 25.7 | 295.3 | 30.7 | 336.6 | 35.9 | |
| 105 | 148.6 | 15.7 | 180.5 | 19.2 | 210.6 | 22.7 | 252.0 | 27.7 | 295.3 | 33.2 | 336.6 | 38.7 | |
| 110 | 148.6 | 16.8 | 180.5 | 20.6 | 210.6 | 24.3 | 252.0 | 29.6 | 295.3 | 35.5 | 336.4 | 41.4 | |
| 115 | 148.6 | 17.7 | 180.5 | 21.8 | 210.6 | 25.7 | 252.0 | 31.4 | 291.9 | 37.1 | 314.2 | 40.9 | |
| 118 | 148.6 | 18.2 | 180.5 | 22.4 | 210.6 | 26.5 | 252.0 | 32.2 | 276.2 | 36.1 | 285.4 | 38.2 | |
| 125 | 145.8 | 18.7 | 169.1 | 21.9 | 181.2 | 23.7 | 188.2 | 25.1 | 193.8 | 26.4 | 197.5 | 27.6 | |
| 60% | -10 | 127.3 | 4.6 | 154.7 | 5.7 | 180.5 | 6.7 | 216.0 | 8.2 | 253.1 | 9.8 | 288.5 | 11.4 |
| | -5 | 127.3 | 4.9 | 154.7 | 6.0 | 180.5 | 7.1 | 216.0 | 8.7 | 253.1 | 10.4 | 288.5 | 12.1 |
| | 10 | 127.3 | 5.0 | 154.7 | 6.2 | 180.5 | 7.3 | 216.0 | 8.9 | 253.1 | 10.6 | 288.5 | 12.4 |
| | 15 | 127.3 | 5.1 | 154.7 | 6.3 | 180.5 | 7.4 | 216.0 | 9.1 | 253.1 | 10.9 | 288.5 | 12.7 |
| | 20 | 127.3 | 5.2 | 154.7 | 6.4 | 180.5 | 7.6 | 216.0 | 9.3 | 253.1 | 11.1 | 288.5 | 12.9 |
| | 25 | 127.3 | 5.4 | 154.7 | 6.6 | 180.5 | 7.8 | 216.0 | 9.5 | 253.1 | 11.3 | 288.5 | 13.2 |
| | 30 | 127.3 | 5.5 | 154.7 | 6.7 | 180.5 | 8.0 | 216.0 | 9.7 | 253.1 | 11.6 | 288.5 | 13.6 |
| | 35 | 127.3 | 5.6 | 154.7 | 6.9 | 180.5 | 8.1 | 216.0 | 9.9 | 253.1 | 11.9 | 288.5 | 13.9 |
| | 40 | 127.3 | 5.7 | 154.7 | 7.1 | 180.5 | 8.3 | 216.0 | 10.2 | 253.1 | 12.2 | 288.5 | 14.2 |
| | 45 | 127.3 | 5.9 | 154.7 | 7.2 | 180.5 | 8.5 | 216.0 | 10.4 | 253.1 | 12.5 | 288.5 | 14.6 |
| | 50 | 127.3 | 6.0 | 154.7 | 7.4 | 180.5 | 8.8 | 216.0 | 10.7 | 253.1 | 12.8 | 288.5 | 15.0 |
| | 55 | 127.3 | 6.2 | 154.7 | 7.6 | 180.5 | 9.0 | 216.0 | 11.0 | 253.1 | 13.1 | 288.5 | 15.3 |
| | 60 | 127.3 | 6.4 | 154.7 | 7.8 | 180.5 | 9.2 | 216.0 | 11.3 | 253.1 | 13.5 | 288.5 | 15.8 |
| | 65 | 127.3 | 6.5 | 154.7 | 8.0 | 180.5 | 9.5 | 216.0 | 11.6 | 253.1 | 13.9 | 288.5 | 16.2 |
| | 70 | 127.3 | 7.1 | 154.7 | 8.8 | 180.5 | 10.3 | 216.0 | 12.6 | 253.1 | 15.1 | 288.5 | 17.6 |
| | 75 | 127.3 | 7.8 | 154.7 | 9.6 | 180.5 | 11.3 | 216.0 | 13.8 | 253.1 | 16.6 | 288.5 | 19.3 |
| | 80 | 127.3 | 8.6 | 154.7 | 10.6 | 180.5 | 12.5 | 216.0 | 15.2 | 253.1 | 18.2 | 288.5 | 21.2 |
| | 85 | 127.3 | 9.4 | 154.7 | 11.6 | 180.5 | 13.7 | 216.0 | 16.7 | 253.1 | 20.0 | 288.5 | 23.3 |
| | 90 | 127.3 | 10.3 | 154.7 | 12.7 | 180.5 | 15.0 | 216.0 | 18.3 | 253.1 | 21.9 | 288.5 | 25.5 |
| | 95 | 127.3 | 11.3 | 154.7 | 13.9 | 180.5 | 16.4 | 216.0 | 19.9 | 253.1 | 23.9 | 288.5 | 27.9 |
| 100 | 127.3 | 12.3 | 154.7 | 15.1 | 180.5 | 17.8 | 216.0 | 21.7 | 253.1 | 26.0 | 288.5 | 30.3 | |
| 105 | 127.3 | 13.2 | 154.7 | 16.3 | 180.5 | 19.2 | 216.0 | 23.4 | 253.1 | 28.0 | 288.5 | 32.7 | |
| 110 | 127.3 | 14.2 | 154.7 | 17.4 | 180.5 | 20.5 | 216.0 | 25.0 | 253.1 | 30.0 | 288.5 | 35.0 | |
| 115 | 127.3 | 15.0 | 154.7 | 18.4 | 180.5 | 21.7 | 216.0 | 26.5 | 253.1 | 31.7 | 288.5 | 37.1 | |
| 118 | 127.3 | 15.4 | 154.7 | 18.9 | 180.5 | 22.4 | 216.0 | 27.2 | 253.1 | 32.6 | 275.7 | 36.4 | |
| 125 | 127.3 | 16.1 | 154.7 | 19.7 | 172.1 | 22.2 | 188.2 | 24.7 | 193.8 | 26.0 | 197.5 | 27.2 | |

NOTE - Power Input = Compressor + Outdoor Fan Motor.
MBH = 1000 BTUs per hour.

COOLING CAPACITY - TWO MODULE | VRB360H4

| Combination (%) | Outdoor Temperature °F (Dry Bulb) | Indoor Temperature - °F (Dry Bulb / Wet Bulb) | | | | | | | | | | | |
|-----------------|-----------------------------------|---|-------------|------------|-------------|------------|-------------|------------|-------------|------------|-------------|------------|-------------|
| | | 67 / 57 | | 71 / 60 | | 75 / 63 | | 80 / 67 | | 85 / 71 | | 90 / 75 | |
| | | Total Cap. | Power Input | Total Cap. | Power Input | Total Cap. | Power Input | Total Cap. | Power Input | Total Cap. | Power Input | Total Cap. | Power Input |
| | | MBH | kW | MBH | kW | MBH | kW | MBH | kW | MBH | kW | MBH | kW |
| 50% | -10 | 99.9 | 3.6 | 129.0 | 4.7 | 150.4 | 5.5 | 180.0 | 6.7 | 210.9 | 8.0 | 240.4 | 9.4 |
| | -5 | 106.1 | 4.0 | 129.0 | 5.0 | 150.4 | 5.8 | 180.0 | 7.1 | 210.9 | 8.5 | 240.4 | 10.0 |
| | 10 | 106.1 | 4.1 | 129.0 | 5.1 | 150.4 | 6.0 | 180.0 | 7.3 | 210.9 | 8.7 | 240.4 | 10.2 |
| | 15 | 106.1 | 4.2 | 129.0 | 5.2 | 150.4 | 6.1 | 180.0 | 7.4 | 210.9 | 8.9 | 240.4 | 10.4 |
| | 20 | 106.1 | 4.3 | 129.0 | 5.3 | 150.4 | 6.2 | 180.0 | 7.6 | 210.9 | 9.1 | 240.4 | 10.6 |
| | 25 | 106.1 | 4.4 | 129.0 | 5.4 | 150.4 | 6.4 | 180.0 | 7.8 | 210.9 | 9.3 | 240.4 | 10.9 |
| | 30 | 106.1 | 4.5 | 129.0 | 5.5 | 150.4 | 6.5 | 180.0 | 8.0 | 210.9 | 9.5 | 240.4 | 11.1 |
| | 35 | 106.1 | 4.6 | 129.0 | 5.7 | 150.4 | 6.7 | 180.0 | 8.2 | 210.9 | 9.8 | 240.4 | 11.4 |
| | 40 | 106.1 | 4.7 | 129.0 | 5.8 | 150.4 | 6.9 | 180.0 | 8.4 | 210.9 | 10.0 | 240.4 | 11.7 |
| | 45 | 106.1 | 4.8 | 129.0 | 5.9 | 150.4 | 7.0 | 180.0 | 8.6 | 210.9 | 10.3 | 240.4 | 12.0 |
| | 50 | 106.1 | 5.0 | 129.0 | 6.1 | 150.4 | 7.2 | 180.0 | 8.8 | 210.9 | 10.5 | 240.4 | 12.3 |
| | 55 | 106.1 | 5.1 | 129.0 | 6.3 | 150.4 | 7.4 | 180.0 | 9.0 | 210.9 | 10.8 | 240.4 | 12.6 |
| | 60 | 106.1 | 5.2 | 129.0 | 6.4 | 150.4 | 7.6 | 180.0 | 9.3 | 210.9 | 11.1 | 240.4 | 13.0 |
| | 65 | 106.1 | 5.4 | 129.0 | 6.6 | 150.4 | 7.8 | 180.0 | 9.5 | 210.9 | 11.4 | 240.4 | 13.3 |
| | 70 | 106.1 | 5.9 | 129.0 | 7.2 | 150.4 | 8.5 | 180.0 | 10.4 | 210.9 | 12.4 | 240.4 | 14.5 |
| | 75 | 106.1 | 6.4 | 129.0 | 7.9 | 150.4 | 9.3 | 180.0 | 11.4 | 210.9 | 13.6 | 240.4 | 15.9 |
| | 80 | 106.1 | 7.1 | 129.0 | 8.7 | 150.4 | 10.2 | 180.0 | 12.5 | 210.9 | 14.9 | 240.4 | 17.5 |
| | 85 | 106.1 | 7.7 | 129.0 | 9.5 | 150.4 | 11.2 | 180.0 | 13.7 | 210.9 | 16.4 | 240.4 | 19.2 |
| 90 | 106.1 | 8.5 | 129.0 | 10.4 | 150.4 | 12.3 | 180.0 | 15.0 | 210.9 | 18.0 | 240.4 | 21.0 | |
| 95 | 106.1 | 9.3 | 129.0 | 11.4 | 150.4 | 13.4 | 180.0 | 16.4 | 210.9 | 19.6 | 240.4 | 22.9 | |
| 100 | 106.1 | 10.1 | 129.0 | 12.4 | 150.4 | 14.6 | 180.0 | 17.8 | 210.9 | 21.3 | 240.4 | 24.9 | |
| 105 | 106.1 | 10.9 | 129.0 | 13.4 | 150.4 | 15.8 | 180.0 | 19.2 | 210.9 | 23.0 | 240.4 | 26.9 | |
| 110 | 106.1 | 11.6 | 129.0 | 14.3 | 150.4 | 16.9 | 180.0 | 20.6 | 210.9 | 24.7 | 240.4 | 28.8 | |
| 115 | 106.1 | 12.3 | 129.0 | 15.1 | 150.4 | 17.9 | 180.0 | 21.8 | 210.9 | 26.1 | 240.4 | 30.5 | |
| 118 | 106.1 | 12.7 | 129.0 | 15.6 | 150.4 | 18.4 | 180.0 | 22.4 | 210.9 | 26.8 | 240.4 | 31.3 | |
| 125 | 106.1 | 13.2 | 129.0 | 16.2 | 150.4 | 19.2 | 175.2 | 22.7 | 192.4 | 25.5 | 197.5 | 26.8 | |

NOTE - Power Input = Compressor + Outdoor Fan Motor.
 MBH = 1000 BTUs per hour.

HEATING CAPACITY - TWO MODULE | VRB360H4

| Combination (%) | Outdoor Temperature (°F) | | Indoor Temperature - °F Dry Bulb | | | | | | | | | | | | |
|-----------------|--------------------------|----------|----------------------------------|-------------|------------|-------------|------------|-------------|------------|-------------|------------|-------------|------------|-------------|--|
| | | | 61 | | 64 | | 67 | | 70 | | 73 | | 75 | | |
| | | | Total Cap. | Power Input | Total Cap. | Power Input | Total Cap. | Power Input | Total Cap. | Power Input | Total Cap. | Power Input | Total Cap. | Power Input | |
| | MBH | kW | MBH | kW | MBH | kW | MBH | kW | MBH | kW | MBH | kW | | | |
| 130% | Dry Bulb | Wet Bulb | | | | | | | | | | | | | |
| | | | | | | | | | | | | | | | |
| | | | | | | | | | | | | | | | |
| | | | | | | | | | | | | | | | |
| | | | | | | | | | | | | | | | |
| | | | | | | | | | | | | | | | |
| | | | | | | | | | | | | | | | |
| | | | | | | | | | | | | | | | |
| | | | | | | | | | | | | | | | |
| | | | | | | | | | | | | | | | |
| | | | | | | | | | | | | | | | |
| | | | | | | | | | | | | | | | |
| | | | | | | | | | | | | | | | |
| | | | | | | | | | | | | | | | |
| | | | | | | | | | | | | | | | |
| | | | | | | | | | | | | | | | |
| | | | | | | | | | | | | | | | |
| | 120% | | | | | | | | | | | | | | |
| | | | | | | | | | | | | | | | |
| | | | | | | | | | | | | | | | |
| | | | | | | | | | | | | | | | |
| | | | | | | | | | | | | | | | |
| | | | | | | | | | | | | | | | |
| | | | | | | | | | | | | | | | |
| | | | | | | | | | | | | | | | |
| | | | | | | | | | | | | | | | |
| | | | | | | | | | | | | | | | |
| | | | | | | | | | | | | | | | |
| | | | | | | | | | | | | | | | |
| | | | | | | | | | | | | | | | |
| | | | | | | | | | | | | | | | |
| | | | | | | | | | | | | | | | |
| | | | | | | | | | | | | | | | |
| | | | | | | | | | | | | | | | |
| | | | | | | | | | | | | | | | |
| 110% | | | | | | | | | | | | | | | |
| | | | | | | | | | | | | | | | |
| | | | | | | | | | | | | | | | |
| | | | | | | | | | | | | | | | |
| | | | | | | | | | | | | | | | |
| | | | | | | | | | | | | | | | |
| | | | | | | | | | | | | | | | |
| | | | | | | | | | | | | | | | |
| | | | | | | | | | | | | | | | |
| | | | | | | | | | | | | | | | |
| | | | | | | | | | | | | | | | |
| | | | | | | | | | | | | | | | |
| | | | | | | | | | | | | | | | |
| | | | | | | | | | | | | | | | |
| | | | | | | | | | | | | | | | |
| | | | | | | | | | | | | | | | |
| | | | | | | | | | | | | | | | |
| | | | | | | | | | | | | | | | |
| | | | | | | | | | | | | | | | |

NOTE - Power Input = Compressor + Outdoor Fan Motor.
 MBH = 1000 BTUs per hour.

COOLING CAPACITY - TWO MODULE | VRB384H4

| Combination (%) | Outdoor Temperature °F (Dry Bulb) | Indoor Temperature - °F (Dry Bulb / Wet Bulb) | | | | | | | | | | | |
|-----------------|-----------------------------------|---|-------------|------------|-------------|------------|-------------|------------|-------------|------------|-------------|------------|-------------|
| | | 67 / 57 | | 71 / 60 | | 75 / 63 | | 80 / 67 | | 85 / 71 | | 90 / 75 | |
| | | Total Cap. | Power Input | Total Cap. | Power Input | Total Cap. | Power Input | Total Cap. | Power Input | Total Cap. | Power Input | Total Cap. | Power Input |
| | | MBH | kW | MBH | kW | MBH | kW | MBH | kW | MBH | kW | MBH | kW |
| 130% | -10 | 294.3 | 12.2 | 357.6 | 15.0 | 417.2 | 17.7 | 499.2 | 21.6 | 584.9 | 25.9 | 642.9 | 29.2 |
| | -5 | 294.3 | 13.0 | 357.6 | 16.0 | 417.2 | 18.8 | 499.2 | 23.0 | 584.9 | 27.5 | 609.2 | 29.4 |
| | 10 | 294.3 | 13.3 | 357.6 | 16.3 | 417.2 | 19.3 | 499.2 | 23.5 | 584.9 | 28.1 | 597.4 | 29.4 |
| | 15 | 294.3 | 13.6 | 357.6 | 16.7 | 417.2 | 19.7 | 499.2 | 24.0 | 576.6 | 28.3 | 584.2 | 29.4 |
| | 20 | 294.3 | 13.9 | 357.6 | 17.0 | 417.2 | 20.1 | 499.2 | 24.5 | 563.3 | 28.3 | 571.0 | 29.4 |
| | 25 | 294.3 | 14.2 | 357.6 | 17.4 | 417.2 | 20.6 | 499.2 | 25.1 | 549.4 | 28.2 | 557.1 | 29.3 |
| | 30 | 294.3 | 14.5 | 357.6 | 17.8 | 417.2 | 21.1 | 499.2 | 25.7 | 536.2 | 28.2 | 543.9 | 29.3 |
| | 35 | 294.3 | 14.9 | 357.6 | 18.3 | 417.2 | 21.6 | 499.2 | 26.3 | 523.6 | 28.2 | 531.3 | 29.3 |
| | 40 | 294.3 | 15.2 | 357.6 | 18.7 | 417.2 | 22.1 | 499.2 | 26.9 | 515.6 | 28.4 | 523.2 | 29.5 |
| | 45 | 294.3 | 15.6 | 357.6 | 19.2 | 417.2 | 22.6 | 499.2 | 27.6 | 512.3 | 28.9 | 519.9 | 30.1 |
| | 50 | 294.3 | 16.0 | 357.6 | 19.7 | 417.2 | 23.2 | 499.2 | 28.3 | 509.7 | 29.5 | 517.4 | 30.7 |
| | 55 | 294.3 | 16.4 | 357.6 | 20.2 | 417.2 | 23.8 | 499.2 | 29.1 | 507.8 | 30.2 | 515.4 | 31.4 |
| | 60 | 294.3 | 16.9 | 357.6 | 20.7 | 417.2 | 24.5 | 499.2 | 29.8 | 508.5 | 31.1 | 513.9 | 32.2 |
| | 65 | 294.3 | 17.3 | 357.6 | 21.3 | 417.2 | 25.2 | 499.2 | 30.7 | 502.6 | 31.6 | 512.3 | 33.0 |
| | 70 | 294.3 | 18.9 | 357.6 | 23.2 | 417.2 | 27.4 | 499.2 | 33.4 | 500.6 | 34.2 | 510.2 | 35.7 |
| | 75 | 294.3 | 20.7 | 357.6 | 25.4 | 417.2 | 30.0 | 489.7 | 35.9 | 497.4 | 37.3 | 507.0 | 38.9 |
| | 80 | 294.3 | 22.7 | 357.6 | 27.9 | 417.2 | 33.0 | 484.8 | 39.1 | 492.5 | 40.6 | 501.9 | 42.3 |
| | 85 | 294.3 | 24.9 | 357.6 | 30.7 | 417.2 | 36.2 | 477.3 | 42.2 | 485.0 | 43.8 | 494.3 | 45.8 |
| | 90 | 294.3 | 27.3 | 357.6 | 33.6 | 417.2 | 39.7 | 466.3 | 45.2 | 474.0 | 46.9 | 483.1 | 49.0 |
| | 95 | 294.3 | 29.9 | 357.6 | 36.7 | 417.2 | 43.3 | 425.5 | 45.0 | 433.1 | 46.8 | 440.8 | 48.8 |
| | 100 | 294.3 | 32.4 | 357.6 | 39.9 | 397.2 | 44.8 | 404.9 | 46.6 | 412.5 | 48.5 | 420.5 | 50.6 |
| 105 | 294.3 | 35.0 | 357.6 | 43.1 | 367.2 | 44.8 | 374.9 | 46.5 | 386.1 | 49.0 | 393.5 | 51.1 | |
| 110 | 294.3 | 37.5 | 321.3 | 41.4 | 329.0 | 42.9 | 341.6 | 45.4 | 351.8 | 47.8 | 358.5 | 49.9 | |
| 115 | 271.0 | 36.5 | 278.7 | 38.0 | 288.3 | 39.8 | 299.4 | 42.1 | 308.3 | 44.3 | 314.2 | 46.3 | |
| 118 | 239.6 | 33.2 | 250.2 | 35.1 | 258.8 | 36.7 | 268.8 | 38.8 | 276.8 | 40.9 | 282.1 | 42.7 | |
| 125 | 162.6 | 23.5 | 169.8 | 24.8 | 175.7 | 26.0 | 182.5 | 27.5 | 187.9 | 29.0 | 191.5 | 30.2 | |
| 120% | -10 | 271.7 | 11.1 | 330.1 | 13.7 | 385.1 | 16.1 | 460.8 | 19.6 | 539.9 | 23.5 | 615.5 | 27.5 |
| | -5 | 271.7 | 11.8 | 330.1 | 14.5 | 385.1 | 17.1 | 460.8 | 20.9 | 539.9 | 25.0 | 599.0 | 28.4 |
| | 10 | 271.7 | 12.1 | 330.1 | 14.8 | 385.1 | 17.5 | 460.8 | 21.3 | 539.9 | 25.5 | 587.2 | 28.5 |
| | 15 | 271.7 | 12.3 | 330.1 | 15.1 | 385.1 | 17.9 | 460.8 | 21.8 | 539.9 | 26.1 | 574.1 | 28.4 |
| | 20 | 271.7 | 12.6 | 330.1 | 15.5 | 385.1 | 18.3 | 460.8 | 22.3 | 539.9 | 26.7 | 560.9 | 28.4 |
| | 25 | 271.7 | 12.9 | 330.1 | 15.8 | 385.1 | 18.7 | 460.8 | 22.8 | 539.9 | 27.3 | 547.2 | 28.3 |
| | 30 | 271.7 | 13.2 | 330.1 | 16.2 | 385.1 | 19.1 | 460.8 | 23.3 | 526.4 | 27.2 | 534.0 | 28.3 |
| | 35 | 271.7 | 13.5 | 330.1 | 16.6 | 385.1 | 19.6 | 460.8 | 23.9 | 513.9 | 27.2 | 521.5 | 28.3 |
| | 40 | 271.7 | 13.8 | 330.1 | 17.0 | 385.1 | 20.1 | 460.8 | 24.5 | 505.7 | 27.4 | 513.4 | 28.5 |
| | 45 | 271.7 | 14.2 | 330.1 | 17.4 | 385.1 | 20.6 | 460.8 | 25.1 | 502.4 | 28.0 | 510.1 | 29.1 |
| | 50 | 271.7 | 14.5 | 330.1 | 17.9 | 385.1 | 21.1 | 460.8 | 25.7 | 499.9 | 28.5 | 507.6 | 29.7 |
| | 55 | 271.7 | 14.9 | 330.1 | 18.3 | 385.1 | 21.7 | 460.8 | 26.4 | 498.0 | 29.2 | 505.7 | 30.3 |
| | 60 | 271.7 | 15.3 | 330.1 | 18.8 | 385.1 | 22.3 | 460.8 | 27.1 | 498.4 | 30.0 | 504.2 | 31.1 |
| | 65 | 271.7 | 15.8 | 330.1 | 19.4 | 385.1 | 22.9 | 460.8 | 27.9 | 493.1 | 30.5 | 502.6 | 31.8 |
| | 70 | 271.7 | 17.1 | 330.1 | 21.1 | 385.1 | 24.9 | 460.8 | 30.3 | 491.1 | 33.0 | 500.5 | 34.5 |
| | 75 | 271.7 | 18.8 | 330.1 | 23.1 | 385.1 | 27.3 | 460.8 | 33.3 | 488.0 | 36.0 | 497.4 | 37.6 |
| | 80 | 271.7 | 20.7 | 330.1 | 25.4 | 385.1 | 30.0 | 460.8 | 36.5 | 483.2 | 39.2 | 492.5 | 40.9 |
| | 85 | 271.7 | 22.7 | 330.1 | 27.9 | 385.1 | 32.9 | 460.8 | 40.1 | 475.8 | 42.3 | 485.0 | 44.2 |
| | 90 | 271.7 | 24.8 | 330.1 | 30.5 | 385.1 | 36.0 | 460.8 | 43.9 | 465.0 | 45.3 | 474.0 | 47.3 |
| | 95 | 271.7 | 27.1 | 330.1 | 33.3 | 385.1 | 39.4 | 425.5 | 44.3 | 433.1 | 46.1 | 440.8 | 48.1 |
| | 100 | 271.7 | 29.5 | 330.1 | 36.2 | 385.1 | 42.8 | 404.9 | 45.8 | 412.5 | 47.7 | 420.5 | 49.8 |
| 105 | 271.7 | 31.8 | 330.1 | 39.1 | 367.2 | 44.1 | 374.9 | 45.8 | 386.1 | 48.2 | 393.5 | 50.4 | |
| 110 | 271.7 | 34.1 | 321.3 | 40.8 | 329.0 | 42.2 | 341.6 | 44.7 | 351.8 | 47.0 | 358.5 | 49.1 | |
| 115 | 271.7 | 36.0 | 278.7 | 37.4 | 288.3 | 39.2 | 299.4 | 41.4 | 308.3 | 43.6 | 314.2 | 45.5 | |
| 118 | 239.6 | 32.7 | 250.2 | 34.5 | 258.8 | 36.2 | 268.8 | 38.2 | 276.8 | 40.3 | 282.1 | 42.0 | |
| 125 | 162.6 | 23.1 | 169.8 | 24.4 | 175.7 | 25.6 | 182.5 | 27.1 | 187.9 | 28.5 | 191.5 | 29.8 | |

NOTE - Power Input = Compressor + Outdoor Fan Motor.
 MBH = 1000 BTUs per hour.

COOLING CAPACITY - TWO MODULE | VRB384H4

| Combination (%) | Outdoor Temperature °F (Dry Bulb) | Indoor Temperature - °F (Dry Bulb / Wet Bulb) | | | | | | | | | | | |
|-----------------|-----------------------------------|---|-------------|------------|-------------|------------|-------------|--------------|-------------|------------|-------------|------------|-------------|
| | | 67 / 57 | | 71 / 60 | | 75 / 63 | | 80 / 67 | | 85 / 71 | | 90 / 75 | |
| | | Total Cap. | Power Input | Total Cap. | Power Input | Total Cap. | Power Input | Total Cap. | Power Input | Total Cap. | Power Input | Total Cap. | Power Input |
| | | MBH | KW | MBH | KW | MBH | KW | MBH | KW | MBH | KW | MBH | KW |
| 110% | -10 | 249.0 | 10.0 | 302.6 | 12.3 | 353.1 | 14.6 | 422.4 | 17.7 | 494.9 | 21.2 | 564.3 | 24.8 |
| | -5 | 249.0 | 10.7 | 302.6 | 13.1 | 353.1 | 15.5 | 422.4 | 18.8 | 494.9 | 22.6 | 564.3 | 26.4 |
| | 10 | 249.0 | 10.9 | 302.6 | 13.4 | 353.1 | 15.8 | 422.4 | 19.3 | 494.9 | 23.1 | 564.3 | 26.9 |
| | 15 | 249.0 | 11.1 | 302.6 | 13.7 | 353.1 | 16.1 | 422.4 | 19.7 | 494.9 | 23.6 | 564.0 | 27.5 |
| | 20 | 249.0 | 11.4 | 302.6 | 14.0 | 353.1 | 16.5 | 422.4 | 20.1 | 494.9 | 24.1 | 550.9 | 27.5 |
| | 25 | 249.0 | 11.6 | 302.6 | 14.3 | 353.1 | 16.9 | 422.4 | 20.6 | 494.9 | 24.6 | 537.3 | 27.4 |
| | 30 | 249.0 | 11.9 | 302.6 | 14.6 | 353.1 | 17.3 | 422.4 | 21.1 | 494.9 | 25.2 | 524.2 | 27.4 |
| | 35 | 249.0 | 12.2 | 302.6 | 15.0 | 353.1 | 17.7 | 422.4 | 21.6 | 494.9 | 25.8 | 511.8 | 27.3 |
| | 40 | 249.0 | 12.5 | 302.6 | 15.3 | 353.1 | 18.1 | 422.4 | 22.1 | 494.9 | 26.5 | 503.5 | 27.6 |
| | 45 | 249.0 | 12.8 | 302.6 | 15.7 | 353.1 | 18.6 | 422.4 | 22.6 | 494.9 | 27.1 | 500.3 | 28.1 |
| | 50 | 249.0 | 13.1 | 302.6 | 16.1 | 353.1 | 19.1 | 422.4 | 23.2 | 494.9 | 27.8 | 497.9 | 28.7 |
| | 55 | 249.0 | 13.5 | 302.6 | 16.6 | 353.1 | 19.6 | 422.4 | 23.8 | 494.9 | 28.5 | 496.0 | 29.3 |
| | 60 | 249.0 | 13.8 | 302.6 | 17.0 | 353.1 | 20.1 | 422.4 | 24.5 | 488.2 | 28.9 | 494.5 | 30.0 |
| | 65 | 249.0 | 14.2 | 302.6 | 17.5 | 353.1 | 20.6 | 422.4 | 25.2 | 483.7 | 29.5 | 492.9 | 30.8 |
| | 70 | 249.0 | 15.5 | 302.6 | 19.0 | 353.1 | 22.5 | 422.4 | 27.4 | 481.7 | 31.9 | 490.9 | 33.3 |
| | 75 | 249.0 | 17.0 | 302.6 | 20.9 | 353.1 | 24.7 | 422.4 | 30.0 | 478.6 | 34.8 | 487.8 | 36.3 |
| | 80 | 249.0 | 18.7 | 302.6 | 22.9 | 353.1 | 27.1 | 422.4 | 33.0 | 473.9 | 37.8 | 483.0 | 39.5 |
| | 85 | 249.0 | 20.5 | 302.6 | 25.2 | 353.1 | 29.7 | 422.4 | 36.2 | 466.7 | 40.9 | 475.6 | 42.7 |
| | 90 | 249.0 | 22.4 | 302.6 | 27.6 | 353.1 | 32.5 | 422.4 | 39.7 | 456.1 | 43.8 | 464.9 | 45.7 |
| | 95 | 249.0 | 24.5 | 302.6 | 30.1 | 353.1 | 35.5 | 422.4 | 43.3 | 433.1 | 45.4 | 440.8 | 47.3 |
| | 100 | 249.0 | 26.6 | 302.6 | 32.7 | 353.1 | 38.6 | 411.2 | 45.8 | 412.5 | 47.0 | 420.5 | 49.1 |
| 105 | 249.0 | 28.7 | 302.6 | 35.3 | 353.1 | 41.7 | 374.9 | 45.1 | 386.1 | 47.5 | 393.5 | 49.6 | |
| 110 | 249.0 | 30.8 | 302.6 | 37.8 | 329.0 | 41.6 | 341.6 | 44.0 | 351.8 | 46.3 | 358.5 | 48.4 | |
| 115 | 249.0 | 32.5 | 278.7 | 36.8 | 288.3 | 38.6 | 299.4 | 40.8 | 308.3 | 43.0 | 314.2 | 44.8 | |
| 118 | 239.6 | 32.2 | 250.2 | 34.0 | 258.8 | 35.6 | 268.8 | 37.7 | 276.8 | 39.7 | 282.1 | 41.4 | |
| 125 | 162.6 | 22.8 | 169.8 | 24.1 | 175.7 | 25.2 | 182.5 | 26.7 | 187.9 | 28.1 | 191.5 | 29.3 | |
| 100% | -10 | 226.4 | 9.0 | 275.1 | 11.0 | 321.0 | 13.0 | 384.0 | 15.9 | 449.9 | 19.0 | 513.0 | 22.2 |
| | -5 | 226.4 | 9.5 | 275.1 | 11.7 | 321.0 | 13.8 | 384.0 | 16.9 | 449.9 | 20.2 | 513.0 | 23.6 |
| | 10 | 226.4 | 9.7 | 275.1 | 12.0 | 321.0 | 14.1 | 384.0 | 17.2 | 449.9 | 20.7 | 513.0 | 24.1 |
| | 15 | 226.4 | 10.0 | 275.1 | 12.2 | 321.0 | 14.5 | 384.0 | 17.6 | 449.9 | 21.1 | 513.0 | 24.6 |
| | 20 | 226.4 | 10.2 | 275.1 | 12.5 | 321.0 | 14.8 | 384.0 | 18.0 | 449.9 | 21.6 | 512.5 | 25.2 |
| | 25 | 226.4 | 10.4 | 275.1 | 12.8 | 321.0 | 15.1 | 384.0 | 18.4 | 449.9 | 22.1 | 507.1 | 25.5 |
| | 30 | 226.4 | 10.7 | 275.1 | 13.1 | 321.0 | 15.5 | 384.0 | 18.8 | 449.9 | 22.6 | 502.1 | 25.8 |
| | 35 | 226.4 | 10.9 | 275.1 | 13.4 | 321.0 | 15.8 | 384.0 | 19.3 | 449.9 | 23.1 | 497.5 | 26.2 |
| | 40 | 226.4 | 11.2 | 275.1 | 13.7 | 321.0 | 16.2 | 384.0 | 19.8 | 449.9 | 23.7 | 493.6 | 26.6 |
| | 45 | 226.4 | 11.5 | 275.1 | 14.1 | 321.0 | 16.6 | 384.0 | 20.3 | 449.9 | 24.3 | 490.5 | 27.1 |
| | 50 | 226.4 | 11.8 | 275.1 | 14.4 | 321.0 | 17.1 | 384.0 | 20.8 | 449.9 | 24.9 | 488.1 | 27.7 |
| | 55 | 226.4 | 12.1 | 275.1 | 14.8 | 321.0 | 17.5 | 384.0 | 21.3 | 449.9 | 25.6 | 486.3 | 28.3 |
| | 60 | 226.4 | 12.4 | 275.1 | 15.2 | 321.0 | 18.0 | 384.0 | 21.9 | 449.9 | 26.3 | 484.8 | 29.0 |
| | 65 | 226.4 | 12.7 | 275.1 | 15.7 | 321.0 | 18.5 | 384.0 | 22.5 | 449.9 | 27.0 | 483.3 | 29.7 |
| | 70 | 226.4 | 13.9 | 275.1 | 17.0 | 321.0 | 20.1 | 384.0 | 24.5 | 449.9 | 29.4 | 481.3 | 32.2 |
| | 75 | 226.4 | 15.2 | 275.1 | 18.7 | 321.0 | 22.1 | 384.0 | 26.9 | 449.9 | 32.2 | 478.3 | 35.1 |
| | 80 | 226.4 | 16.7 | 275.1 | 20.5 | 321.0 | 24.2 | 384.0 | 29.5 | 449.9 | 35.4 | 473.5 | 38.1 |
| | 85 | 226.4 | 18.3 | 275.1 | 22.5 | 321.0 | 26.6 | 384.0 | 32.4 | 449.9 | 38.8 | 466.3 | 41.2 |
| | 90 | 226.4 | 20.1 | 275.1 | 24.7 | 321.0 | 29.1 | 384.0 | 35.5 | 447.2 | 42.3 | 455.7 | 44.1 |
| | 95 | 226.4 | 21.9 | 275.1 | 27.0 | 321.0 | 31.8 | 384.0 | 38.8 | 432.5 | 44.7 | 440.8 | 46.6 |
| | 100 | 226.4 | 23.8 | 275.1 | 29.3 | 321.0 | 34.6 | 384.0 | 42.2 | 412.5 | 46.3 | 420.5 | 48.3 |
| 105 | 226.4 | 25.7 | 275.1 | 31.6 | 321.0 | 37.4 | 374.9 | 44.5 | 386.1 | 46.8 | 393.5 | 48.8 | |
| 110 | 226.4 | 27.5 | 275.1 | 33.9 | 321.0 | 40.0 | 341.6 | 43.3 | 351.8 | 45.6 | 358.5 | 47.6 | |
| 115 | 226.4 | 29.1 | 275.1 | 35.8 | 288.3 | 38.0 | 299.4 | 40.2 | 308.3 | 42.3 | 314.2 | 44.2 | |
| 118 | 226.4 | 30.0 | 250.2 | 33.5 | 258.8 | 35.1 | 268.8 | 37.1 | 276.8 | 39.1 | 282.1 | 40.8 | |
| 125 | 162.6 | 22.5 | 169.8 | 23.7 | 175.7 | 24.8 | 182.5 | 26.3 | 187.9 | 27.7 | 191.5 | 28.9 | |

NOTE - Power Input = Compressor + Outdoor Fan Motor.
MBH = 1000 BTUs per hour.

COOLING CAPACITY - TWO MODULE | VRB384H4

| Combination (%) | Outdoor Temperature °F (Dry Bulb) | Indoor Temperature - °F (Dry Bulb / Wet Bulb) | | | | | | | | | | | |
|-----------------|-----------------------------------|---|-------------|------------|-------------|------------|-------------|------------|-------------|------------|-------------|------------|-------------|
| | | 67 / 57 | | 71 / 60 | | 75 / 63 | | 80 / 67 | | 85 / 71 | | 90 / 75 | |
| | | Total Cap. | Power Input | Total Cap. | Power Input | Total Cap. | Power Input | Total Cap. | Power Input | Total Cap. | Power Input | Total Cap. | Power Input |
| | | MBH | kW | MBH | kW | MBH | kW | MBH | kW | MBH | kW | MBH | kW |
| 90% | -10 | 203.7 | 8.0 | 247.6 | 9.8 | 288.9 | 11.6 | 345.6 | 14.1 | 404.9 | 16.9 | 461.7 | 19.7 |
| | -5 | 203.7 | 8.5 | 247.6 | 10.4 | 288.9 | 12.3 | 345.6 | 15.0 | 404.9 | 17.9 | 461.7 | 20.9 |
| | 10 | 203.7 | 8.6 | 247.6 | 10.6 | 288.9 | 12.5 | 345.6 | 15.3 | 404.9 | 18.3 | 461.7 | 21.4 |
| | 15 | 203.7 | 8.8 | 247.6 | 10.9 | 288.9 | 12.8 | 345.6 | 15.6 | 404.9 | 18.7 | 461.7 | 21.9 |
| | 20 | 203.7 | 9.0 | 247.6 | 11.1 | 288.9 | 13.1 | 345.6 | 16.0 | 404.9 | 19.1 | 461.7 | 22.3 |
| | 25 | 203.7 | 9.2 | 247.6 | 11.3 | 288.9 | 13.4 | 345.6 | 16.3 | 404.9 | 19.6 | 461.7 | 22.8 |
| | 30 | 203.7 | 9.4 | 247.6 | 11.6 | 288.9 | 13.7 | 345.6 | 16.7 | 404.9 | 20.0 | 461.7 | 23.4 |
| | 35 | 203.7 | 9.7 | 247.6 | 11.9 | 288.9 | 14.0 | 345.6 | 17.1 | 404.9 | 20.5 | 461.7 | 23.9 |
| | 40 | 203.7 | 9.9 | 247.6 | 12.2 | 288.9 | 14.4 | 345.6 | 17.5 | 404.9 | 21.0 | 461.7 | 24.5 |
| | 45 | 203.7 | 10.2 | 247.6 | 12.5 | 288.9 | 14.7 | 345.6 | 18.0 | 404.9 | 21.5 | 461.7 | 25.1 |
| | 50 | 203.7 | 10.4 | 247.6 | 12.8 | 288.9 | 15.1 | 345.6 | 18.4 | 404.9 | 22.1 | 461.7 | 25.8 |
| | 55 | 203.7 | 10.7 | 247.6 | 13.1 | 288.9 | 15.5 | 345.6 | 18.9 | 404.9 | 22.7 | 461.7 | 26.5 |
| | 60 | 203.7 | 11.0 | 247.6 | 13.5 | 288.9 | 15.9 | 345.6 | 19.4 | 404.9 | 23.3 | 461.7 | 27.2 |
| | 65 | 203.7 | 11.3 | 247.6 | 13.9 | 288.9 | 16.4 | 345.6 | 20.0 | 404.9 | 23.9 | 461.7 | 27.9 |
| | 70 | 203.7 | 12.3 | 247.6 | 15.1 | 288.9 | 17.8 | 345.6 | 21.7 | 404.9 | 26.0 | 461.7 | 30.4 |
| | 75 | 203.7 | 13.5 | 247.6 | 16.6 | 288.9 | 19.6 | 345.6 | 23.9 | 404.9 | 28.6 | 461.7 | 33.4 |
| | 80 | 203.7 | 14.8 | 247.6 | 18.2 | 288.9 | 21.5 | 345.6 | 26.2 | 404.9 | 31.4 | 461.7 | 36.6 |
| | 85 | 203.7 | 16.2 | 247.6 | 20.0 | 288.9 | 23.6 | 345.6 | 28.7 | 404.9 | 34.4 | 457.0 | 39.8 |
| | 90 | 203.7 | 17.8 | 247.6 | 21.9 | 288.9 | 25.8 | 345.6 | 31.5 | 404.9 | 37.7 | 446.6 | 42.6 |
| | 95 | 203.7 | 19.4 | 247.6 | 23.9 | 288.9 | 28.2 | 345.6 | 34.4 | 404.9 | 41.2 | 440.8 | 45.9 |
| 100 | 203.7 | 21.1 | 247.6 | 26.0 | 288.9 | 30.7 | 345.6 | 37.4 | 404.3 | 44.7 | 420.5 | 47.6 | |
| 105 | 203.7 | 22.8 | 247.6 | 28.1 | 288.9 | 33.1 | 345.6 | 40.4 | 386.1 | 46.1 | 393.5 | 48.1 | |
| 110 | 203.7 | 24.4 | 247.6 | 30.0 | 288.9 | 35.4 | 341.6 | 42.7 | 351.8 | 45.0 | 358.5 | 46.9 | |
| 115 | 203.7 | 25.8 | 247.6 | 31.8 | 288.3 | 37.4 | 299.4 | 39.6 | 308.3 | 41.7 | 314.2 | 43.5 | |
| 118 | 203.7 | 26.6 | 247.6 | 32.7 | 258.8 | 34.5 | 268.8 | 36.6 | 276.8 | 38.5 | 282.1 | 40.2 | |
| 125 | 162.6 | 22.1 | 169.8 | 23.4 | 175.7 | 24.5 | 182.5 | 25.9 | 187.9 | 27.2 | 191.5 | 28.4 | |
| 80% | -10 | 181.1 | 7.0 | 220.1 | 8.6 | 256.8 | 10.1 | 307.2 | 12.3 | 359.9 | 14.8 | 410.4 | 17.3 |
| | -5 | 181.1 | 7.4 | 220.1 | 9.1 | 256.8 | 10.8 | 307.2 | 13.1 | 359.9 | 15.7 | 410.4 | 18.3 |
| | 10 | 181.1 | 7.6 | 220.1 | 9.3 | 256.8 | 11.0 | 307.2 | 13.4 | 359.9 | 16.0 | 410.4 | 18.7 |
| | 15 | 181.1 | 7.7 | 220.1 | 9.5 | 256.8 | 11.2 | 307.2 | 13.7 | 359.9 | 16.4 | 410.4 | 19.1 |
| | 20 | 181.1 | 7.9 | 220.1 | 9.7 | 256.8 | 11.5 | 307.2 | 14.0 | 359.9 | 16.7 | 410.4 | 19.6 |
| | 25 | 181.1 | 8.1 | 220.1 | 9.9 | 256.8 | 11.7 | 307.2 | 14.3 | 359.9 | 17.1 | 410.4 | 20.0 |
| | 30 | 181.1 | 8.3 | 220.1 | 10.2 | 256.8 | 12.0 | 307.2 | 14.6 | 359.9 | 17.5 | 410.4 | 20.5 |
| | 35 | 181.1 | 8.5 | 220.1 | 10.4 | 256.8 | 12.3 | 307.2 | 15.0 | 359.9 | 18.0 | 410.4 | 21.0 |
| | 40 | 181.1 | 8.7 | 220.1 | 10.7 | 256.8 | 12.6 | 307.2 | 15.4 | 359.9 | 18.4 | 410.4 | 21.5 |
| | 45 | 181.1 | 8.9 | 220.1 | 10.9 | 256.8 | 12.9 | 307.2 | 15.7 | 359.9 | 18.9 | 410.4 | 22.0 |
| | 50 | 181.1 | 9.1 | 220.1 | 11.2 | 256.8 | 13.2 | 307.2 | 16.1 | 359.9 | 19.3 | 410.4 | 22.6 |
| | 55 | 181.1 | 9.4 | 220.1 | 11.5 | 256.8 | 13.6 | 307.2 | 16.6 | 359.9 | 19.9 | 410.4 | 23.2 |
| | 60 | 181.1 | 9.6 | 220.1 | 11.8 | 256.8 | 14.0 | 307.2 | 17.0 | 359.9 | 20.4 | 410.4 | 23.8 |
| | 65 | 181.1 | 9.9 | 220.1 | 12.2 | 256.8 | 14.4 | 307.2 | 17.5 | 359.9 | 21.0 | 410.4 | 24.5 |
| | 70 | 181.1 | 10.8 | 220.1 | 13.2 | 256.8 | 15.6 | 307.2 | 19.0 | 359.9 | 22.8 | 410.4 | 26.6 |
| | 75 | 181.1 | 11.8 | 220.1 | 14.5 | 256.8 | 17.1 | 307.2 | 20.9 | 359.9 | 25.0 | 410.4 | 29.2 |
| | 80 | 181.1 | 13.0 | 220.1 | 15.9 | 256.8 | 18.8 | 307.2 | 22.9 | 359.9 | 27.5 | 410.4 | 32.1 |
| | 85 | 181.1 | 14.2 | 220.1 | 17.5 | 256.8 | 20.7 | 307.2 | 25.2 | 359.9 | 30.2 | 410.4 | 35.2 |
| | 90 | 181.1 | 15.6 | 220.1 | 19.2 | 256.8 | 22.6 | 307.2 | 27.6 | 359.9 | 33.0 | 410.4 | 38.6 |
| | 95 | 181.1 | 17.0 | 220.1 | 20.9 | 256.8 | 24.7 | 307.2 | 30.1 | 359.9 | 36.1 | 410.4 | 42.1 |
| 100 | 181.1 | 18.5 | 220.1 | 22.8 | 256.8 | 26.9 | 307.2 | 32.8 | 359.9 | 39.2 | 410.4 | 45.8 | |
| 105 | 181.1 | 20.0 | 220.1 | 24.6 | 256.8 | 29.0 | 307.2 | 35.4 | 359.9 | 42.4 | 393.5 | 47.4 | |
| 110 | 181.1 | 21.4 | 220.1 | 26.3 | 256.8 | 31.0 | 307.2 | 37.8 | 351.8 | 44.3 | 358.5 | 46.2 | |
| 115 | 181.1 | 22.6 | 220.1 | 27.8 | 256.8 | 32.8 | 299.4 | 39.0 | 308.3 | 41.1 | 314.2 | 42.9 | |
| 118 | 181.1 | 23.3 | 220.1 | 28.6 | 256.8 | 33.8 | 268.8 | 36.0 | 276.8 | 37.9 | 282.1 | 39.6 | |
| 125 | 162.6 | 21.8 | 169.8 | 23.0 | 175.7 | 24.1 | 182.5 | 25.5 | 187.9 | 26.8 | 191.5 | 28.0 | |

NOTE - Power Input = Compressor + Outdoor Fan Motor.
 MBH = 1000 BTUs per hour.

COOLING CAPACITY - TWO MODULE | VRB384H4

| Combination (%) | Outdoor Temperature °F (Dry Bulb) | Indoor Temperature - °F (Dry Bulb / Wet Bulb) | | | | | | | | | | | |
|-----------------|-----------------------------------|---|-------------|------------|-------------|------------|-------------|------------|-------------|------------|-------------|------------|-------------|
| | | 67 / 57 | | 71 / 60 | | 75 / 63 | | 80 / 67 | | 85 / 71 | | 90 / 75 | |
| | | Total Cap. | Power Input | Total Cap. | Power Input | Total Cap. | Power Input | Total Cap. | Power Input | Total Cap. | Power Input | Total Cap. | Power Input |
| | | MBH | kW | MBH | kW | MBH | kW | MBH | kW | MBH | kW | MBH | kW |
| 50% | -10 | 104.4 | 3.9 | 137.6 | 5.1 | 160.5 | 6.1 | 192.0 | 7.4 | 225.0 | 8.8 | 256.5 | 10.3 |
| | -5 | 113.2 | 4.4 | 137.6 | 5.5 | 160.5 | 6.4 | 192.0 | 7.9 | 225.0 | 9.4 | 256.5 | 11.0 |
| | 10 | 113.2 | 4.5 | 137.6 | 5.6 | 160.5 | 6.6 | 192.0 | 8.0 | 225.0 | 9.6 | 256.5 | 11.2 |
| | 15 | 113.2 | 4.6 | 137.6 | 5.7 | 160.5 | 6.7 | 192.0 | 8.2 | 225.0 | 9.8 | 256.5 | 11.5 |
| | 20 | 113.2 | 4.7 | 137.6 | 5.8 | 160.5 | 6.9 | 192.0 | 8.4 | 225.0 | 10.0 | 256.5 | 11.7 |
| | 25 | 113.2 | 4.8 | 137.6 | 6.0 | 160.5 | 7.0 | 192.0 | 8.6 | 225.0 | 10.3 | 256.5 | 12.0 |
| | 30 | 113.2 | 5.0 | 137.6 | 6.1 | 160.5 | 7.2 | 192.0 | 8.8 | 225.0 | 10.5 | 256.5 | 12.3 |
| | 35 | 113.2 | 5.1 | 137.6 | 6.2 | 160.5 | 7.4 | 192.0 | 9.0 | 225.0 | 10.8 | 256.5 | 12.6 |
| | 40 | 113.2 | 5.2 | 137.6 | 6.4 | 160.5 | 7.5 | 192.0 | 9.2 | 225.0 | 11.0 | 256.5 | 12.9 |
| | 45 | 113.2 | 5.3 | 137.6 | 6.6 | 160.5 | 7.7 | 192.0 | 9.4 | 225.0 | 11.3 | 256.5 | 13.2 |
| | 50 | 113.2 | 5.5 | 137.6 | 6.7 | 160.5 | 7.9 | 192.0 | 9.7 | 225.0 | 11.6 | 256.5 | 13.5 |
| | 55 | 113.2 | 5.6 | 137.6 | 6.9 | 160.5 | 8.1 | 192.0 | 9.9 | 225.0 | 11.9 | 256.5 | 13.9 |
| | 60 | 113.2 | 5.8 | 137.6 | 7.1 | 160.5 | 8.4 | 192.0 | 10.2 | 225.0 | 12.2 | 256.5 | 14.3 |
| | 65 | 113.2 | 5.9 | 137.6 | 7.3 | 160.5 | 8.6 | 192.0 | 10.5 | 225.0 | 12.6 | 256.5 | 14.7 |
| | 70 | 113.2 | 6.4 | 137.6 | 7.9 | 160.5 | 9.4 | 192.0 | 11.4 | 225.0 | 13.7 | 256.5 | 15.9 |
| | 75 | 113.2 | 7.1 | 137.6 | 8.7 | 160.5 | 10.3 | 192.0 | 12.5 | 225.0 | 15.0 | 256.5 | 17.5 |
| | 80 | 113.2 | 7.8 | 137.6 | 9.5 | 160.5 | 11.3 | 192.0 | 13.7 | 225.0 | 16.5 | 256.5 | 19.2 |
| | 85 | 113.2 | 8.5 | 137.6 | 10.5 | 160.5 | 12.4 | 192.0 | 15.1 | 225.0 | 18.1 | 256.5 | 21.1 |
| 90 | 113.2 | 9.3 | 137.6 | 11.5 | 160.5 | 13.6 | 192.0 | 16.5 | 225.0 | 19.8 | 256.5 | 23.1 | |
| 95 | 113.2 | 10.2 | 137.6 | 12.5 | 160.5 | 14.8 | 192.0 | 18.0 | 225.0 | 21.6 | 256.5 | 25.2 | |
| 100 | 113.2 | 11.1 | 137.6 | 13.6 | 160.5 | 16.1 | 192.0 | 19.6 | 225.0 | 23.5 | 256.5 | 27.4 | |
| 105 | 113.2 | 12.0 | 137.6 | 14.7 | 160.5 | 17.4 | 192.0 | 21.2 | 225.0 | 25.4 | 256.5 | 29.6 | |
| 110 | 113.2 | 12.8 | 137.6 | 15.7 | 160.5 | 18.6 | 192.0 | 22.7 | 225.0 | 27.1 | 256.5 | 31.7 | |
| 115 | 113.2 | 13.6 | 137.6 | 16.7 | 160.5 | 19.7 | 192.0 | 24.0 | 225.0 | 28.7 | 256.5 | 33.5 | |
| 118 | 113.2 | 13.9 | 137.6 | 17.1 | 160.5 | 20.2 | 192.0 | 24.7 | 225.0 | 29.5 | 256.5 | 34.5 | |
| 125 | 113.2 | 14.5 | 137.6 | 17.9 | 160.5 | 21.1 | 182.5 | 24.4 | 187.9 | 25.7 | 191.5 | 26.9 | |

NOTE - Power Input = Compressor + Outdoor Fan Motor.
 MBH = 1000 BTUs per hour.

COOLING CAPACITY - THREE MODULE | VRB408H4

| Combination (%) | Outdoor Temperature °F (Dry Bulb) | Indoor Temperature - °F (Dry Bulb / Wet Bulb) | | | | | | | | | | | |
|-----------------|-----------------------------------|---|-------------|------------|-------------|------------|-------------|--------------|-------------|------------|-------------|------------|-------------|
| | | 67 / 57 | | 71 / 60 | | 75 / 63 | | 80 / 67 | | 85 / 71 | | 90 / 75 | |
| | | Total Cap. | Power Input | Total Cap. | Power Input | Total Cap. | Power Input | Total Cap. | Power Input | Total Cap. | Power Input | Total Cap. | Power Input |
| | | MBH | KW | MBH | KW | MBH | KW | MBH | KW | MBH | KW | MBH | KW |
| 110% | -10 | 264.6 | 10.2 | 321.5 | 12.6 | 375.1 | 14.8 | 448.8 | 18.1 | 525.8 | 21.7 | 599.5 | 25.3 |
| | -5 | 264.6 | 10.9 | 321.5 | 13.4 | 375.1 | 15.8 | 448.8 | 19.2 | 525.8 | 23.0 | 599.5 | 26.9 |
| | 10 | 264.6 | 11.1 | 321.5 | 13.7 | 375.1 | 16.1 | 448.8 | 19.6 | 525.8 | 23.5 | 599.5 | 27.5 |
| | 15 | 264.6 | 11.4 | 321.5 | 14.0 | 375.1 | 16.5 | 448.8 | 20.1 | 525.8 | 24.1 | 599.4 | 28.1 |
| | 20 | 264.6 | 11.6 | 321.5 | 14.3 | 375.1 | 16.8 | 448.8 | 20.5 | 525.8 | 24.6 | 591.2 | 28.3 |
| | 25 | 264.6 | 11.9 | 321.5 | 14.6 | 375.1 | 17.2 | 448.8 | 21.0 | 525.8 | 25.1 | 582.7 | 28.6 |
| | 30 | 264.6 | 12.1 | 321.5 | 14.9 | 375.1 | 17.6 | 448.8 | 21.5 | 525.8 | 25.7 | 571.4 | 28.7 |
| | 35 | 264.6 | 12.4 | 321.5 | 15.3 | 375.1 | 18.0 | 448.8 | 22.0 | 525.8 | 26.3 | 558.9 | 28.7 |
| | 40 | 264.6 | 12.7 | 321.5 | 15.7 | 375.1 | 18.5 | 448.8 | 22.5 | 525.8 | 27.0 | 551.0 | 29.0 |
| | 45 | 264.6 | 13.1 | 321.5 | 16.1 | 375.1 | 19.0 | 448.8 | 23.1 | 525.8 | 27.7 | 548.7 | 29.6 |
| | 50 | 264.6 | 13.4 | 321.5 | 16.5 | 375.1 | 19.4 | 448.8 | 23.7 | 525.8 | 28.4 | 547.1 | 30.3 |
| | 55 | 264.6 | 13.8 | 321.5 | 16.9 | 375.1 | 20.0 | 448.8 | 24.3 | 525.8 | 29.1 | 546.3 | 31.0 |
| | 60 | 264.6 | 14.1 | 321.5 | 17.4 | 375.1 | 20.5 | 448.8 | 25.0 | 521.7 | 29.7 | 545.7 | 31.9 |
| | 65 | 264.6 | 14.5 | 321.5 | 17.8 | 375.1 | 21.1 | 448.8 | 25.7 | 518.8 | 30.4 | 545.1 | 32.7 |
| | 70 | 264.6 | 15.8 | 321.5 | 19.4 | 375.1 | 22.9 | 448.8 | 27.9 | 517.6 | 33.0 | 544.0 | 35.5 |
| | 75 | 264.6 | 17.3 | 321.5 | 21.3 | 375.1 | 25.2 | 448.8 | 30.7 | 515.7 | 36.0 | 541.6 | 38.8 |
| | 80 | 264.6 | 19.0 | 321.5 | 23.4 | 375.1 | 27.6 | 448.8 | 33.7 | 512.7 | 39.4 | 537.2 | 42.3 |
| | 85 | 264.6 | 20.9 | 321.5 | 25.7 | 375.1 | 30.3 | 448.8 | 36.9 | 508.2 | 42.8 | 530.0 | 45.8 |
| | 90 | 264.6 | 22.9 | 321.5 | 28.1 | 375.1 | 33.2 | 448.8 | 40.5 | 501.6 | 46.3 | 518.9 | 49.1 |
| | 95 | 264.6 | 25.0 | 321.5 | 30.7 | 375.1 | 36.3 | 448.8 | 44.2 | 487.2 | 49.2 | 493.0 | 51.0 |
| | 100 | 264.6 | 27.2 | 321.5 | 33.4 | 375.1 | 39.4 | 441.8 | 47.3 | 462.4 | 50.7 | 471.2 | 53.0 |
| | 105 | 264.6 | 29.3 | 321.5 | 36.1 | 375.1 | 42.6 | 419.1 | 48.6 | 433.8 | 51.4 | 442.1 | 53.7 |
| | 110 | 264.6 | 31.4 | 321.5 | 38.6 | 360.1 | 43.8 | 385.1 | 47.8 | 396.5 | 50.3 | 404.1 | 52.5 |
| | 115 | 264.6 | 33.2 | 306.6 | 39.0 | 326.5 | 42.1 | 339.1 | 44.5 | 349.1 | 46.9 | 355.8 | 48.9 |
| 118 | 258.7 | 33.4 | 284.4 | 37.2 | 294.3 | 39.0 | 305.6 | 41.2 | 314.7 | 43.4 | 320.7 | 45.3 | |
| 125 | 188.1 | 25.4 | 196.3 | 26.8 | 203.2 | 28.1 | 211.0 | 29.7 | 217.2 | 31.3 | 221.4 | 32.7 | |
| 100% | -10 | 240.5 | 9.2 | 292.3 | 11.3 | 341.0 | 13.3 | 408.0 | 16.2 | 478.0 | 19.4 | 545.0 | 22.7 |
| | -5 | 240.5 | 9.7 | 292.3 | 12.0 | 341.0 | 14.1 | 408.0 | 17.2 | 478.0 | 20.6 | 545.0 | 24.1 |
| | 10 | 240.5 | 9.9 | 292.3 | 12.2 | 341.0 | 14.4 | 408.0 | 17.6 | 478.0 | 21.1 | 545.0 | 24.6 |
| | 15 | 240.5 | 10.2 | 292.3 | 12.5 | 341.0 | 14.8 | 408.0 | 18.0 | 478.0 | 21.5 | 545.0 | 25.2 |
| | 20 | 240.5 | 10.4 | 292.3 | 12.8 | 341.0 | 15.1 | 408.0 | 18.4 | 478.0 | 22.0 | 544.7 | 25.7 |
| | 25 | 240.5 | 10.6 | 292.3 | 13.1 | 341.0 | 15.4 | 408.0 | 18.8 | 478.0 | 22.5 | 541.4 | 26.1 |
| | 30 | 240.5 | 10.9 | 292.3 | 13.4 | 341.0 | 15.8 | 408.0 | 19.2 | 478.0 | 23.0 | 538.2 | 26.6 |
| | 35 | 240.5 | 11.1 | 292.3 | 13.7 | 341.0 | 16.2 | 408.0 | 19.7 | 478.0 | 23.6 | 535.4 | 27.1 |
| | 40 | 240.5 | 11.4 | 292.3 | 14.0 | 341.0 | 16.6 | 408.0 | 20.2 | 478.0 | 24.2 | 532.9 | 27.6 |
| | 45 | 240.5 | 11.7 | 292.3 | 14.4 | 341.0 | 17.0 | 408.0 | 20.7 | 478.0 | 24.8 | 531.0 | 28.2 |
| | 50 | 240.5 | 12.0 | 292.3 | 14.7 | 341.0 | 17.4 | 408.0 | 21.2 | 478.0 | 25.4 | 529.5 | 28.9 |
| | 55 | 240.5 | 12.3 | 292.3 | 15.1 | 341.0 | 17.9 | 408.0 | 21.8 | 478.0 | 26.1 | 528.3 | 29.6 |
| | 60 | 240.5 | 12.6 | 292.3 | 15.5 | 341.0 | 18.4 | 408.0 | 22.4 | 478.0 | 26.8 | 527.4 | 30.3 |
| | 65 | 240.5 | 13.0 | 292.3 | 16.0 | 341.0 | 18.9 | 408.0 | 23.0 | 478.0 | 27.5 | 526.5 | 31.1 |
| | 70 | 240.5 | 14.1 | 292.3 | 17.4 | 341.0 | 20.5 | 408.0 | 25.0 | 478.0 | 30.0 | 525.2 | 33.8 |
| | 75 | 240.5 | 15.5 | 292.3 | 19.1 | 341.0 | 22.5 | 408.0 | 27.5 | 478.0 | 32.9 | 523.3 | 36.9 |
| | 80 | 240.5 | 17.0 | 292.3 | 20.9 | 341.0 | 24.7 | 408.0 | 30.1 | 478.0 | 36.1 | 520.4 | 40.3 |
| | 85 | 240.5 | 18.7 | 292.3 | 23.0 | 341.0 | 27.1 | 408.0 | 33.1 | 478.0 | 39.6 | 515.9 | 43.9 |
| | 90 | 240.5 | 20.5 | 292.3 | 25.2 | 341.0 | 29.7 | 408.0 | 36.2 | 476.3 | 43.3 | 508.7 | 47.4 |
| | 95 | 240.5 | 22.4 | 292.3 | 27.5 | 341.0 | 32.5 | 408.0 | 39.6 | 467.2 | 46.4 | 493.0 | 50.2 |
| | 100 | 240.5 | 24.3 | 292.3 | 29.9 | 341.0 | 35.3 | 408.0 | 43.0 | 454.7 | 49.1 | 471.2 | 52.2 |
| | 105 | 240.5 | 26.3 | 292.3 | 32.3 | 341.0 | 38.1 | 402.3 | 45.8 | 433.8 | 50.6 | 442.1 | 52.8 |
| | 110 | 240.5 | 28.1 | 292.3 | 34.5 | 341.0 | 40.8 | 381.5 | 46.6 | 396.5 | 49.5 | 404.1 | 51.7 |
| | 115 | 240.5 | 29.7 | 292.3 | 36.6 | 320.6 | 40.7 | 339.1 | 43.8 | 349.1 | 46.1 | 355.8 | 48.2 |
| 118 | 240.5 | 30.6 | 276.7 | 35.6 | 294.3 | 38.4 | 305.6 | 40.6 | 314.7 | 42.8 | 320.7 | 44.6 | |
| 125 | 188.1 | 25.0 | 196.3 | 26.4 | 203.2 | 27.7 | 211.0 | 29.3 | 217.2 | 30.8 | 221.4 | 32.2 | |

NOTE - Power Input = Compressor + Outdoor Fan Motor.
 MBH = 1000 BTUs per hour.

COOLING CAPACITY - THREE MODULE | VRB408H4

| Combination (%) | Outdoor Temperature °F (Dry Bulb) | Indoor Temperature - °F (Dry Bulb / Wet Bulb) | | | | | | | | | | | |
|-----------------|-----------------------------------|---|-------------|------------|-------------|------------|-------------|------------|-------------|------------|-------------|------------|-------------|
| | | 67 / 57 | | 71 / 60 | | 75 / 63 | | 80 / 67 | | 85 / 71 | | 90 / 75 | |
| | | Total Cap. | Power Input | Total Cap. | Power Input | Total Cap. | Power Input | Total Cap. | Power Input | Total Cap. | Power Input | Total Cap. | Power Input |
| | | MBH | KW | MBH | KW | MBH | KW | MBH | KW | MBH | KW | MBH | KW |
| 70% | -10 | 168.4 | 6.1 | 204.6 | 7.5 | 238.7 | 8.9 | 285.6 | 10.9 | 334.6 | 13.0 | 381.5 | 15.2 |
| | -5 | 168.4 | 6.5 | 204.6 | 8.0 | 238.7 | 9.5 | 285.6 | 11.5 | 334.6 | 13.8 | 381.5 | 16.1 |
| | 10 | 168.4 | 6.7 | 204.6 | 8.2 | 238.7 | 9.7 | 285.6 | 11.8 | 334.6 | 14.1 | 381.5 | 16.5 |
| | 15 | 168.4 | 6.8 | 204.6 | 8.4 | 238.7 | 9.9 | 285.6 | 12.0 | 334.6 | 14.4 | 381.5 | 16.8 |
| | 20 | 168.4 | 7.0 | 204.6 | 8.6 | 238.7 | 10.1 | 285.6 | 12.3 | 334.6 | 14.7 | 381.5 | 17.2 |
| | 25 | 168.4 | 7.1 | 204.6 | 8.7 | 238.7 | 10.3 | 285.6 | 12.6 | 334.6 | 15.1 | 381.5 | 17.6 |
| | 30 | 168.4 | 7.3 | 204.6 | 9.0 | 238.7 | 10.6 | 285.6 | 12.9 | 334.6 | 15.4 | 381.5 | 18.0 |
| | 35 | 168.4 | 7.5 | 204.6 | 9.2 | 238.7 | 10.8 | 285.6 | 13.2 | 334.6 | 15.8 | 381.5 | 18.5 |
| | 40 | 168.4 | 7.6 | 204.6 | 9.4 | 238.7 | 11.1 | 285.6 | 13.5 | 334.6 | 16.2 | 381.5 | 18.9 |
| | 45 | 168.4 | 7.8 | 204.6 | 9.6 | 238.7 | 11.4 | 285.6 | 13.9 | 334.6 | 16.6 | 381.5 | 19.4 |
| | 50 | 168.4 | 8.0 | 204.6 | 9.9 | 238.7 | 11.7 | 285.6 | 14.2 | 334.6 | 17.0 | 381.5 | 19.9 |
| | 55 | 168.4 | 8.2 | 204.6 | 10.1 | 238.7 | 12.0 | 285.6 | 14.6 | 334.6 | 17.5 | 381.5 | 20.4 |
| | 60 | 168.4 | 8.5 | 204.6 | 10.4 | 238.7 | 12.3 | 285.6 | 15.0 | 334.6 | 18.0 | 381.5 | 21.0 |
| | 65 | 168.4 | 8.7 | 204.6 | 10.7 | 238.7 | 12.6 | 285.6 | 15.4 | 334.6 | 18.5 | 381.5 | 21.5 |
| | 70 | 168.4 | 9.5 | 204.6 | 11.6 | 238.7 | 13.7 | 285.6 | 16.8 | 334.6 | 20.1 | 381.5 | 23.4 |
| | 75 | 168.4 | 10.4 | 204.6 | 12.8 | 238.7 | 15.1 | 285.6 | 18.4 | 334.6 | 22.0 | 381.5 | 25.7 |
| | 80 | 168.4 | 11.4 | 204.6 | 14.0 | 238.7 | 16.6 | 285.6 | 20.2 | 334.6 | 24.2 | 381.5 | 28.2 |
| | 85 | 168.4 | 12.5 | 204.6 | 15.4 | 238.7 | 18.2 | 285.6 | 22.2 | 334.6 | 26.5 | 381.5 | 31.0 |
| | 90 | 168.4 | 13.7 | 204.6 | 16.9 | 238.7 | 19.9 | 285.6 | 24.3 | 334.6 | 29.1 | 381.5 | 34.0 |
| | 95 | 168.4 | 15.0 | 204.6 | 18.4 | 238.7 | 21.8 | 285.6 | 26.5 | 334.6 | 31.8 | 381.5 | 37.1 |
| 100 | 168.4 | 16.3 | 204.6 | 20.0 | 238.7 | 23.6 | 285.6 | 28.8 | 334.6 | 34.5 | 381.5 | 40.3 | |
| 105 | 168.4 | 17.6 | 204.6 | 21.6 | 238.7 | 25.5 | 285.6 | 31.1 | 334.6 | 37.3 | 381.5 | 43.5 | |
| 110 | 168.4 | 18.8 | 204.6 | 23.1 | 238.7 | 27.3 | 285.6 | 33.3 | 334.6 | 39.9 | 381.2 | 46.5 | |
| 115 | 168.4 | 19.9 | 204.6 | 24.5 | 238.7 | 28.9 | 285.6 | 35.2 | 330.5 | 41.7 | 353.5 | 45.8 | |
| 118 | 168.4 | 20.5 | 204.6 | 25.2 | 238.7 | 29.7 | 285.6 | 36.2 | 310.8 | 40.4 | 320.7 | 42.7 | |
| 60% | 125 | 164.9 | 20.9 | 190.4 | 24.5 | 203.2 | 26.5 | 211.0 | 28.0 | 217.2 | 29.5 | 221.4 | 30.8 |
| | -10 | 144.3 | 5.2 | 175.4 | 6.4 | 204.6 | 7.5 | 244.8 | 9.2 | 286.8 | 11.0 | 327.0 | 12.8 |
| | -5 | 144.3 | 5.5 | 175.4 | 6.8 | 204.6 | 8.0 | 244.8 | 9.7 | 286.8 | 11.7 | 327.0 | 13.6 |
| | 10 | 144.3 | 5.6 | 175.4 | 6.9 | 204.6 | 8.2 | 244.8 | 10.0 | 286.8 | 11.9 | 327.0 | 13.9 |
| | 15 | 144.3 | 5.8 | 175.4 | 7.1 | 204.6 | 8.4 | 244.8 | 10.2 | 286.8 | 12.2 | 327.0 | 14.2 |
| | 20 | 144.3 | 5.9 | 175.4 | 7.2 | 204.6 | 8.5 | 244.8 | 10.4 | 286.8 | 12.5 | 327.0 | 14.5 |
| | 25 | 144.3 | 6.0 | 175.4 | 7.4 | 204.6 | 8.7 | 244.8 | 10.6 | 286.8 | 12.7 | 327.0 | 14.9 |
| | 30 | 144.3 | 6.2 | 175.4 | 7.6 | 204.6 | 8.9 | 244.8 | 10.9 | 286.8 | 13.0 | 327.0 | 15.2 |
| | 35 | 144.3 | 6.3 | 175.4 | 7.7 | 204.6 | 9.1 | 244.8 | 11.1 | 286.8 | 13.4 | 327.0 | 15.6 |
| | 40 | 144.3 | 6.5 | 175.4 | 7.9 | 204.6 | 9.4 | 244.8 | 11.4 | 286.8 | 13.7 | 327.0 | 16.0 |
| | 45 | 144.3 | 6.6 | 175.4 | 8.1 | 204.6 | 9.6 | 244.8 | 11.7 | 286.8 | 14.0 | 327.0 | 16.4 |
| | 50 | 144.3 | 6.8 | 175.4 | 8.3 | 204.6 | 9.9 | 244.8 | 12.0 | 286.8 | 14.4 | 327.0 | 16.8 |
| | 55 | 144.3 | 7.0 | 175.4 | 8.6 | 204.6 | 10.1 | 244.8 | 12.3 | 286.8 | 14.8 | 327.0 | 17.2 |
| | 60 | 144.3 | 7.2 | 175.4 | 8.8 | 204.6 | 10.4 | 244.8 | 12.7 | 286.8 | 15.2 | 327.0 | 17.7 |
| | 65 | 144.3 | 7.4 | 175.4 | 9.0 | 204.6 | 10.7 | 244.8 | 13.0 | 286.8 | 15.6 | 327.0 | 18.2 |
| | 70 | 144.3 | 8.0 | 175.4 | 9.8 | 204.6 | 11.6 | 244.8 | 14.2 | 286.8 | 17.0 | 327.0 | 19.8 |
| | 75 | 144.3 | 8.8 | 175.4 | 10.8 | 204.6 | 12.8 | 244.8 | 15.5 | 286.8 | 18.6 | 327.0 | 21.7 |
| | 80 | 144.3 | 9.6 | 175.4 | 11.9 | 204.6 | 14.0 | 244.8 | 17.1 | 286.8 | 20.4 | 327.0 | 23.9 |
| | 85 | 144.3 | 10.6 | 175.4 | 13.0 | 204.6 | 15.4 | 244.8 | 18.7 | 286.8 | 22.4 | 327.0 | 26.2 |
| | 90 | 144.3 | 11.6 | 175.4 | 14.3 | 204.6 | 16.8 | 244.8 | 20.5 | 286.8 | 24.6 | 327.0 | 28.7 |
| 95 | 144.3 | 12.7 | 175.4 | 15.6 | 204.6 | 18.4 | 244.8 | 22.4 | 286.8 | 26.8 | 327.0 | 31.3 | |
| 100 | 144.3 | 13.8 | 175.4 | 16.9 | 204.6 | 20.0 | 244.8 | 24.4 | 286.8 | 29.2 | 327.0 | 34.1 | |
| 105 | 144.3 | 14.9 | 175.4 | 18.3 | 204.6 | 21.6 | 244.8 | 26.3 | 286.8 | 31.5 | 327.0 | 36.8 | |
| 110 | 144.3 | 15.9 | 175.4 | 19.6 | 204.6 | 23.1 | 244.8 | 28.1 | 286.8 | 33.7 | 327.0 | 39.4 | |
| 115 | 144.3 | 16.8 | 175.4 | 20.7 | 204.6 | 24.4 | 244.8 | 29.8 | 286.8 | 35.7 | 327.0 | 41.6 | |
| 118 | 144.3 | 17.3 | 175.4 | 21.3 | 204.6 | 25.1 | 244.8 | 30.6 | 286.8 | 36.7 | 311.0 | 40.8 | |
| 125 | 144.3 | 18.1 | 175.4 | 22.2 | 194.1 | 24.9 | 211.0 | 27.6 | 217.2 | 29.1 | 221.4 | 30.4 | |

NOTE - Power Input = Compressor + Outdoor Fan Motor.
MBH = 1000 BTUs per hour.

COOLING CAPACITY - THREE MODULE | VRB408H4

| Combination (%) | Outdoor Temperature °F (Dry Bulb) | Indoor Temperature - °F (Dry Bulb / Wet Bulb) | | | | | | | | | | | |
|-----------------|-----------------------------------|---|-------------|------------|-------------|------------|-------------|------------|-------------|------------|-------------|------------|-------------|
| | | 67 / 57 | | 71 / 60 | | 75 / 63 | | 80 / 67 | | 85 / 71 | | 90 / 75 | |
| | | Total Cap. | Power Input | Total Cap. | Power Input | Total Cap. | Power Input | Total Cap. | Power Input | Total Cap. | Power Input | Total Cap. | Power Input |
| | | MBH | kW | MBH | kW | MBH | kW | MBH | kW | MBH | kW | MBH | kW |
| 50% | -10 | 113.0 | 4.0 | 146.1 | 5.2 | 170.5 | 6.2 | 204.0 | 7.5 | 239.0 | 9.0 | 272.5 | 10.5 |
| | -5 | 120.3 | 4.5 | 146.1 | 5.6 | 170.5 | 6.6 | 204.0 | 8.0 | 239.0 | 9.6 | 272.5 | 11.2 |
| | 10 | 120.3 | 4.6 | 146.1 | 5.7 | 170.5 | 6.7 | 204.0 | 8.2 | 239.0 | 9.8 | 272.5 | 11.4 |
| | 15 | 120.3 | 4.7 | 146.1 | 5.8 | 170.5 | 6.9 | 204.0 | 8.4 | 239.0 | 10.0 | 272.5 | 11.7 |
| | 20 | 120.3 | 4.8 | 146.1 | 5.9 | 170.5 | 7.0 | 204.0 | 8.5 | 239.0 | 10.2 | 272.5 | 12.0 |
| | 25 | 120.3 | 4.9 | 146.1 | 6.1 | 170.5 | 7.2 | 204.0 | 8.7 | 239.0 | 10.5 | 272.5 | 12.2 |
| | 30 | 120.3 | 5.1 | 146.1 | 6.2 | 170.5 | 7.3 | 204.0 | 8.9 | 239.0 | 10.7 | 272.5 | 12.5 |
| | 35 | 120.3 | 5.2 | 146.1 | 6.4 | 170.5 | 7.5 | 204.0 | 9.2 | 239.0 | 11.0 | 272.5 | 12.8 |
| | 40 | 120.3 | 5.3 | 146.1 | 6.5 | 170.5 | 7.7 | 204.0 | 9.4 | 239.0 | 11.2 | 272.5 | 13.1 |
| | 45 | 120.3 | 5.4 | 146.1 | 6.7 | 170.5 | 7.9 | 204.0 | 9.6 | 239.0 | 11.5 | 272.5 | 13.5 |
| | 50 | 120.3 | 5.6 | 146.1 | 6.9 | 170.5 | 8.1 | 204.0 | 9.9 | 239.0 | 11.8 | 272.5 | 13.8 |
| | 55 | 120.3 | 5.7 | 146.1 | 7.0 | 170.5 | 8.3 | 204.0 | 10.1 | 239.0 | 12.1 | 272.5 | 14.2 |
| | 60 | 120.3 | 5.9 | 146.1 | 7.2 | 170.5 | 8.5 | 204.0 | 10.4 | 239.0 | 12.5 | 272.5 | 14.6 |
| | 65 | 120.3 | 6.0 | 146.1 | 7.4 | 170.5 | 8.8 | 204.0 | 10.7 | 239.0 | 12.8 | 272.5 | 15.0 |
| | 70 | 120.3 | 6.6 | 146.1 | 8.1 | 170.5 | 9.5 | 204.0 | 11.6 | 239.0 | 13.9 | 272.5 | 16.3 |
| | 75 | 120.3 | 7.2 | 146.1 | 8.9 | 170.5 | 10.5 | 204.0 | 12.8 | 239.0 | 15.3 | 272.5 | 17.9 |
| | 80 | 120.3 | 7.9 | 146.1 | 9.7 | 170.5 | 11.5 | 204.0 | 14.0 | 239.0 | 16.8 | 272.5 | 19.6 |
| | 85 | 120.3 | 8.7 | 146.1 | 10.7 | 170.5 | 12.6 | 204.0 | 15.4 | 239.0 | 18.4 | 272.5 | 21.5 |
| 90 | 120.3 | 9.5 | 146.1 | 11.7 | 170.5 | 13.8 | 204.0 | 16.9 | 239.0 | 20.2 | 272.5 | 23.6 | |
| 95 | 120.3 | 10.4 | 146.1 | 12.8 | 170.5 | 15.1 | 204.0 | 18.4 | 239.0 | 22.1 | 272.5 | 25.8 | |
| 100 | 120.3 | 11.3 | 146.1 | 13.9 | 170.5 | 16.4 | 204.0 | 20.0 | 239.0 | 24.0 | 272.5 | 28.0 | |
| 105 | 120.3 | 12.2 | 146.1 | 15.0 | 170.5 | 17.7 | 204.0 | 21.6 | 239.0 | 25.9 | 272.5 | 30.2 | |
| 110 | 120.3 | 13.1 | 146.1 | 16.1 | 170.5 | 19.0 | 204.0 | 23.1 | 239.0 | 27.7 | 272.5 | 32.3 | |
| 115 | 120.3 | 13.8 | 146.1 | 17.0 | 170.5 | 20.1 | 204.0 | 24.5 | 239.0 | 29.3 | 272.5 | 34.2 | |
| 118 | 120.3 | 14.2 | 146.1 | 17.5 | 170.5 | 20.6 | 204.0 | 25.2 | 239.0 | 30.1 | 272.5 | 35.2 | |
| 125 | 120.3 | 14.8 | 146.1 | 18.2 | 170.5 | 21.5 | 198.0 | 25.5 | 215.8 | 28.5 | 221.4 | 29.9 | |

NOTE - Power Input = Compressor + Outdoor Fan Motor.
 MBH = 1000 BTUs per hour.

COOLING CAPACITY - THREE MODULE | VRB432H4

| Combination (%) | Outdoor Temperature °F (Dry Bulb) | Indoor Temperature - °F (Dry Bulb / Wet Bulb) | | | | | | | | | | | |
|-----------------|-----------------------------------|---|-------------|------------|-------------|------------|-------------|------------|-------------|------------|-------------|------------|-------------|
| | | 67 / 57 | | 71 / 60 | | 75 / 63 | | 80 / 67 | | 85 / 71 | | 90 / 75 | |
| | | Total Cap. | Power Input | Total Cap. | Power Input | Total Cap. | Power Input | Total Cap. | Power Input | Total Cap. | Power Input | Total Cap. | Power Input |
| | | MBH | kW | MBH | kW | MBH | kW | MBH | kW | MBH | kW | MBH | kW |
| 130% | -10 | 331.1 | 14.0 | 402.3 | 17.2 | 469.4 | 20.3 | 561.6 | 24.7 | 658.0 | 29.6 | 742.7 | 34.3 |
| | -5 | 331.1 | 14.9 | 402.3 | 18.3 | 469.4 | 21.6 | 561.6 | 26.3 | 658.0 | 31.5 | 719.0 | 35.2 |
| | 10 | 331.1 | 15.2 | 402.3 | 18.7 | 469.4 | 22.0 | 561.6 | 26.8 | 658.0 | 32.2 | 710.5 | 35.6 |
| | 15 | 331.1 | 15.5 | 402.3 | 19.1 | 469.4 | 22.5 | 561.6 | 27.4 | 655.4 | 32.7 | 696.8 | 35.7 |
| | 20 | 331.1 | 15.8 | 402.3 | 19.5 | 469.4 | 23.0 | 561.6 | 28.0 | 651.2 | 33.2 | 682.4 | 35.7 |
| | 25 | 331.1 | 16.2 | 402.3 | 19.9 | 469.4 | 23.5 | 561.6 | 28.7 | 646.9 | 33.8 | 667.2 | 35.7 |
| | 30 | 331.1 | 16.6 | 402.3 | 20.4 | 469.4 | 24.1 | 561.6 | 29.3 | 636.4 | 34.0 | 652.5 | 35.7 |
| | 35 | 331.1 | 17.0 | 402.3 | 20.9 | 469.4 | 24.7 | 561.6 | 30.0 | 627.7 | 34.4 | 638.5 | 35.8 |
| | 40 | 331.1 | 17.4 | 402.3 | 21.4 | 469.4 | 25.3 | 561.6 | 30.8 | 622.6 | 34.9 | 630.1 | 36.2 |
| | 45 | 331.1 | 17.8 | 402.3 | 21.9 | 469.4 | 25.9 | 561.6 | 31.6 | 621.3 | 35.7 | 627.5 | 37.0 |
| | 50 | 331.1 | 18.3 | 402.3 | 22.5 | 469.4 | 26.6 | 561.6 | 32.4 | 617.3 | 36.4 | 625.9 | 37.8 |
| | 55 | 331.1 | 18.8 | 402.3 | 23.1 | 469.4 | 27.3 | 561.6 | 33.2 | 616.7 | 37.3 | 625.3 | 38.8 |
| | 60 | 331.1 | 19.3 | 402.3 | 23.7 | 469.4 | 28.0 | 561.6 | 34.1 | 618.8 | 38.5 | 625.3 | 39.8 |
| | 65 | 331.1 | 19.8 | 402.3 | 24.4 | 469.4 | 28.8 | 561.6 | 35.1 | 613.7 | 39.2 | 625.5 | 41.0 |
| | 70 | 331.1 | 21.6 | 402.3 | 26.5 | 469.4 | 31.3 | 561.6 | 38.2 | 613.6 | 42.7 | 625.3 | 44.6 |
| | 75 | 331.1 | 23.7 | 402.3 | 29.1 | 469.4 | 34.4 | 558.6 | 41.7 | 612.3 | 46.8 | 624.0 | 48.8 |
| | 80 | 331.1 | 26.0 | 402.3 | 32.0 | 469.4 | 37.7 | 557.1 | 45.6 | 609.0 | 51.1 | 620.7 | 53.3 |
| | 85 | 331.1 | 28.5 | 402.3 | 35.1 | 469.4 | 41.4 | 554.8 | 49.9 | 602.8 | 55.5 | 614.4 | 57.9 |
| | 90 | 331.1 | 31.3 | 402.3 | 38.4 | 469.4 | 45.4 | 551.3 | 54.3 | 592.4 | 59.7 | 603.8 | 62.3 |
| | 95 | 331.1 | 34.1 | 402.3 | 42.0 | 469.4 | 49.5 | 530.9 | 57.2 | 545.8 | 60.1 | 554.4 | 62.5 |
| 100 | 331.1 | 37.1 | 402.3 | 45.6 | 463.1 | 53.2 | 514.9 | 60.3 | 522.6 | 62.6 | 532.6 | 65.3 | |
| 105 | 331.1 | 40.1 | 402.3 | 49.3 | 453.8 | 56.3 | 479.0 | 60.6 | 493.2 | 63.8 | 502.7 | 66.6 | |
| 110 | 331.1 | 42.9 | 391.0 | 51.3 | 424.5 | 56.4 | 441.1 | 59.7 | 454.2 | 62.8 | 462.9 | 65.6 | |
| 115 | 323.8 | 44.4 | 362.6 | 50.4 | 377.6 | 53.1 | 392.1 | 56.1 | 403.8 | 59.1 | 411.5 | 61.7 | |
| 118 | 307.9 | 43.5 | 331.4 | 47.3 | 342.9 | 49.6 | 356.1 | 52.4 | 366.7 | 55.2 | 373.8 | 57.6 | |
| 125 | 225.9 | 33.3 | 235.8 | 35.2 | 244.0 | 36.8 | 253.4 | 38.9 | 260.9 | 41.0 | 265.9 | 42.8 | |
| 120% | -10 | 305.6 | 12.7 | 371.4 | 15.6 | 433.3 | 18.4 | 518.4 | 22.5 | 607.4 | 26.9 | 692.5 | 31.4 |
| | -5 | 305.6 | 13.5 | 371.4 | 16.6 | 433.3 | 19.6 | 518.4 | 23.9 | 607.4 | 28.6 | 687.3 | 33.2 |
| | 10 | 305.6 | 13.8 | 371.4 | 17.0 | 433.3 | 20.0 | 518.4 | 24.4 | 607.4 | 29.2 | 683.4 | 33.7 |
| | 15 | 305.6 | 14.1 | 371.4 | 17.3 | 433.3 | 20.5 | 518.4 | 24.9 | 607.4 | 29.9 | 674.1 | 34.0 |
| | 20 | 305.6 | 14.4 | 371.4 | 17.7 | 433.3 | 20.9 | 518.4 | 25.5 | 607.4 | 30.5 | 664.8 | 34.2 |
| | 25 | 305.6 | 14.7 | 371.4 | 18.1 | 433.3 | 21.4 | 518.4 | 26.1 | 607.4 | 31.2 | 655.2 | 34.5 |
| | 30 | 305.6 | 15.1 | 371.4 | 18.5 | 433.3 | 21.9 | 518.4 | 26.7 | 603.1 | 31.7 | 640.7 | 34.5 |
| | 35 | 305.6 | 15.4 | 371.4 | 19.0 | 433.3 | 22.4 | 518.4 | 27.3 | 599.2 | 32.3 | 626.8 | 34.6 |
| | 40 | 305.6 | 15.8 | 371.4 | 19.4 | 433.3 | 23.0 | 518.4 | 28.0 | 596.7 | 33.0 | 618.2 | 35.0 |
| | 45 | 305.6 | 16.2 | 371.4 | 19.9 | 433.3 | 23.5 | 518.4 | 28.7 | 595.7 | 33.7 | 615.7 | 35.7 |
| | 50 | 305.6 | 16.6 | 371.4 | 20.4 | 433.3 | 24.1 | 518.4 | 29.4 | 594.9 | 34.5 | 614.1 | 36.5 |
| | 55 | 305.6 | 17.1 | 371.4 | 21.0 | 433.3 | 24.8 | 518.4 | 30.2 | 594.3 | 35.4 | 613.5 | 37.5 |
| | 60 | 305.6 | 17.5 | 371.4 | 21.6 | 433.3 | 25.4 | 518.4 | 31.0 | 594.4 | 36.4 | 613.5 | 38.5 |
| | 65 | 305.6 | 18.0 | 371.4 | 22.2 | 433.3 | 26.2 | 518.4 | 31.9 | 592.8 | 37.3 | 613.7 | 39.6 |
| | 70 | 305.6 | 19.6 | 371.4 | 24.1 | 433.3 | 28.5 | 518.4 | 34.7 | 592.1 | 40.6 | 613.5 | 43.0 |
| | 75 | 305.6 | 21.5 | 371.4 | 26.5 | 433.3 | 31.2 | 518.4 | 38.1 | 591.2 | 44.4 | 612.3 | 47.1 |
| | 80 | 305.6 | 23.6 | 371.4 | 29.0 | 433.3 | 34.3 | 518.4 | 41.8 | 588.9 | 48.6 | 609.0 | 51.5 |
| | 85 | 305.6 | 25.9 | 371.4 | 31.9 | 433.3 | 37.6 | 518.4 | 45.9 | 583.9 | 52.9 | 602.8 | 55.9 |
| | 90 | 305.6 | 28.4 | 371.4 | 34.9 | 433.3 | 41.2 | 518.4 | 50.3 | 576.2 | 57.2 | 592.4 | 60.2 |
| | 95 | 305.6 | 31.0 | 371.4 | 38.1 | 433.3 | 45.0 | 507.4 | 53.8 | 545.8 | 59.2 | 554.4 | 61.6 |
| 100 | 305.6 | 33.7 | 371.4 | 41.5 | 433.3 | 48.9 | 500.9 | 57.7 | 522.6 | 61.6 | 532.6 | 64.3 | |
| 105 | 305.6 | 36.4 | 371.4 | 44.8 | 427.7 | 52.2 | 476.9 | 59.4 | 493.2 | 62.8 | 502.7 | 65.5 | |
| 110 | 305.6 | 39.0 | 368.6 | 47.6 | 412.4 | 53.9 | 441.1 | 58.8 | 454.2 | 61.9 | 462.9 | 64.6 | |
| 115 | 305.6 | 41.2 | 352.3 | 48.2 | 377.6 | 52.2 | 392.1 | 55.3 | 403.8 | 58.2 | 411.5 | 60.7 | |
| 118 | 295.6 | 41.1 | 330.0 | 46.4 | 342.9 | 48.8 | 356.1 | 51.6 | 366.7 | 54.4 | 373.8 | 56.7 | |
| 125 | 225.9 | 32.8 | 235.8 | 34.6 | 244.0 | 36.2 | 253.4 | 38.3 | 260.9 | 40.4 | 265.9 | 42.1 | |

NOTE - Power Input = Compressor + Outdoor Fan Motor.
 MBH = 1000 BTUs per hour.

COOLING CAPACITY - THREE MODULE | VRB432H4

| Combination (%) | Outdoor Temperature °F (Dry Bulb) | Indoor Temperature - °F (Dry Bulb / Wet Bulb) | | | | | | | | | | | |
|-----------------|-----------------------------------|---|-------------|------------|-------------|------------|-------------|--------------|-------------|------------|-------------|------------|-------------|
| | | 67 / 57 | | 71 / 60 | | 75 / 63 | | 80 / 67 | | 85 / 71 | | 90 / 75 | |
| | | Total Cap. | Power Input | Total Cap. | Power Input | Total Cap. | Power Input | Total Cap. | Power Input | Total Cap. | Power Input | Total Cap. | Power Input |
| | | MBH | KW | MBH | KW | MBH | KW | MBH | KW | MBH | KW | MBH | KW |
| 110% | -10 | 280.2 | 11.5 | 340.4 | 14.1 | 397.2 | 16.6 | 475.2 | 20.3 | 556.8 | 24.3 | 634.8 | 28.4 |
| | -5 | 280.2 | 12.2 | 340.4 | 15.0 | 397.2 | 17.7 | 475.2 | 21.6 | 556.8 | 25.8 | 634.8 | 30.2 |
| | 10 | 280.2 | 12.4 | 340.4 | 15.3 | 397.2 | 18.1 | 475.2 | 22.0 | 556.8 | 26.4 | 634.8 | 30.8 |
| | 15 | 280.2 | 12.7 | 340.4 | 15.6 | 397.2 | 18.5 | 475.2 | 22.5 | 556.8 | 27.0 | 634.7 | 31.5 |
| | 20 | 280.2 | 13.0 | 340.4 | 16.0 | 397.2 | 18.9 | 475.2 | 23.0 | 556.8 | 27.5 | 630.6 | 32.0 |
| | 25 | 280.2 | 13.3 | 340.4 | 16.3 | 397.2 | 19.3 | 475.2 | 23.5 | 556.8 | 28.2 | 626.4 | 32.5 |
| | 30 | 280.2 | 13.6 | 340.4 | 16.7 | 397.2 | 19.8 | 475.2 | 24.1 | 556.8 | 28.8 | 619.1 | 32.9 |
| | 35 | 280.2 | 13.9 | 340.4 | 17.1 | 397.2 | 20.2 | 475.2 | 24.7 | 556.8 | 29.5 | 610.6 | 33.2 |
| | 40 | 280.2 | 14.3 | 340.4 | 17.5 | 397.2 | 20.7 | 475.2 | 25.3 | 556.8 | 30.3 | 605.2 | 33.7 |
| | 45 | 280.2 | 14.6 | 340.4 | 18.0 | 397.2 | 21.2 | 475.2 | 25.9 | 556.8 | 31.0 | 603.8 | 34.5 |
| | 50 | 280.2 | 15.0 | 340.4 | 18.5 | 397.2 | 21.8 | 475.2 | 26.6 | 556.8 | 31.8 | 602.3 | 35.3 |
| | 55 | 280.2 | 15.4 | 340.4 | 18.9 | 397.2 | 22.4 | 475.2 | 27.3 | 556.8 | 32.7 | 601.7 | 36.2 |
| | 60 | 280.2 | 15.8 | 340.4 | 19.5 | 397.2 | 23.0 | 475.2 | 28.0 | 554.7 | 33.4 | 601.7 | 37.2 |
| | 65 | 280.2 | 16.3 | 340.4 | 20.0 | 397.2 | 23.6 | 475.2 | 28.8 | 553.2 | 34.3 | 601.9 | 38.2 |
| | 70 | 280.2 | 17.7 | 340.4 | 21.8 | 397.2 | 25.7 | 475.2 | 31.3 | 552.6 | 37.2 | 601.7 | 41.6 |
| | 75 | 280.2 | 19.4 | 340.4 | 23.9 | 397.2 | 28.2 | 475.2 | 34.4 | 551.7 | 40.8 | 600.5 | 45.5 |
| | 80 | 280.2 | 21.3 | 340.4 | 26.2 | 397.2 | 31.0 | 475.2 | 37.7 | 550.2 | 44.7 | 597.3 | 49.7 |
| | 85 | 280.2 | 23.4 | 340.4 | 28.8 | 397.2 | 34.0 | 475.2 | 41.4 | 547.9 | 48.8 | 591.2 | 54.0 |
| | 90 | 280.2 | 25.6 | 340.4 | 31.5 | 397.2 | 37.2 | 475.2 | 45.4 | 544.6 | 53.2 | 581.0 | 58.2 |
| | 95 | 280.2 | 28.0 | 340.4 | 34.4 | 397.2 | 40.6 | 475.2 | 49.5 | 537.5 | 57.4 | 554.4 | 60.6 |
| | 100 | 280.2 | 30.4 | 340.4 | 37.4 | 397.2 | 44.2 | 471.7 | 53.5 | 519.0 | 60.2 | 532.6 | 63.3 |
| 105 | 280.2 | 32.9 | 340.4 | 40.4 | 397.2 | 47.7 | 460.4 | 56.4 | 493.2 | 61.8 | 502.7 | 64.5 | |
| 110 | 280.2 | 35.2 | 340.4 | 43.2 | 389.7 | 50.1 | 436.7 | 57.3 | 454.2 | 60.9 | 462.9 | 63.6 | |
| 115 | 280.2 | 37.2 | 333.0 | 44.8 | 368.8 | 50.3 | 392.1 | 54.4 | 403.8 | 57.3 | 411.5 | 59.8 | |
| 118 | 277.2 | 37.9 | 319.7 | 44.3 | 342.9 | 48.1 | 356.1 | 50.8 | 366.7 | 53.5 | 373.8 | 55.9 | |
| 125 | 225.9 | 32.3 | 235.8 | 34.1 | 244.0 | 35.7 | 253.4 | 37.8 | 260.9 | 39.7 | 265.9 | 41.5 | |
| 100% | -10 | 254.7 | 10.3 | 309.5 | 12.6 | 361.1 | 14.9 | 432.0 | 18.2 | 506.1 | 21.8 | 577.1 | 25.4 |
| | -5 | 254.7 | 10.9 | 309.5 | 13.4 | 361.1 | 15.8 | 432.0 | 19.3 | 506.1 | 23.1 | 577.1 | 27.0 |
| | 10 | 254.7 | 11.1 | 309.5 | 13.7 | 361.1 | 16.2 | 432.0 | 19.7 | 506.1 | 23.6 | 577.1 | 27.6 |
| | 15 | 254.7 | 11.4 | 309.5 | 14.0 | 361.1 | 16.5 | 432.0 | 20.2 | 506.1 | 24.1 | 577.1 | 28.2 |
| | 20 | 254.7 | 11.6 | 309.5 | 14.3 | 361.1 | 16.9 | 432.0 | 20.6 | 506.1 | 24.7 | 576.9 | 28.8 |
| | 25 | 254.7 | 11.9 | 309.5 | 14.6 | 361.1 | 17.3 | 432.0 | 21.1 | 506.1 | 25.2 | 575.3 | 29.4 |
| | 30 | 254.7 | 12.2 | 309.5 | 15.0 | 361.1 | 17.7 | 432.0 | 21.6 | 506.1 | 25.8 | 573.7 | 30.0 |
| | 35 | 254.7 | 12.5 | 309.5 | 15.3 | 361.1 | 18.1 | 432.0 | 22.1 | 506.1 | 26.4 | 572.2 | 30.6 |
| | 40 | 254.7 | 12.8 | 309.5 | 15.7 | 361.1 | 18.6 | 432.0 | 22.6 | 506.1 | 27.1 | 571.0 | 31.3 |
| | 45 | 254.7 | 13.1 | 309.5 | 16.1 | 361.1 | 19.0 | 432.0 | 23.2 | 506.1 | 27.8 | 570.1 | 32.1 |
| | 50 | 254.7 | 13.4 | 309.5 | 16.5 | 361.1 | 19.5 | 432.0 | 23.8 | 506.1 | 28.5 | 569.3 | 32.8 |
| | 55 | 254.7 | 13.8 | 309.5 | 17.0 | 361.1 | 20.0 | 432.0 | 24.4 | 506.1 | 29.2 | 568.7 | 33.7 |
| | 60 | 254.7 | 14.2 | 309.5 | 17.4 | 361.1 | 20.6 | 432.0 | 25.1 | 506.1 | 30.0 | 568.3 | 34.6 |
| | 65 | 254.7 | 14.6 | 309.5 | 17.9 | 361.1 | 21.1 | 432.0 | 25.8 | 506.1 | 30.9 | 567.8 | 35.5 |
| | 70 | 254.7 | 15.8 | 309.5 | 19.5 | 361.1 | 23.0 | 432.0 | 28.0 | 506.1 | 33.6 | 567.2 | 38.6 |
| | 75 | 254.7 | 17.4 | 309.5 | 21.4 | 361.1 | 25.2 | 432.0 | 30.8 | 506.1 | 36.9 | 566.2 | 42.3 |
| | 80 | 254.7 | 19.1 | 309.5 | 23.5 | 361.1 | 27.7 | 432.0 | 33.8 | 506.1 | 40.5 | 564.8 | 46.3 |
| | 85 | 254.7 | 21.0 | 309.5 | 25.8 | 361.1 | 30.4 | 432.0 | 37.1 | 506.1 | 44.4 | 562.5 | 50.6 |
| | 90 | 254.7 | 23.0 | 309.5 | 28.2 | 361.1 | 33.3 | 432.0 | 40.6 | 505.3 | 48.6 | 558.7 | 55.1 |
| | 95 | 254.7 | 25.1 | 309.5 | 30.8 | 361.1 | 36.4 | 432.0 | 44.4 | 500.7 | 52.6 | 547.6 | 59.0 |
| | 100 | 254.7 | 27.3 | 309.5 | 33.5 | 361.1 | 39.6 | 432.0 | 48.2 | 494.5 | 56.5 | 532.2 | 62.3 |
| 105 | 254.7 | 29.4 | 309.5 | 36.2 | 361.1 | 42.7 | 429.2 | 51.7 | 481.8 | 59.5 | 502.7 | 63.6 | |
| 110 | 254.7 | 31.5 | 309.5 | 38.7 | 361.1 | 45.7 | 418.8 | 54.1 | 454.2 | 60.0 | 462.9 | 62.6 | |
| 115 | 254.7 | 33.3 | 309.5 | 41.0 | 350.9 | 47.1 | 389.5 | 53.3 | 403.8 | 56.4 | 411.5 | 58.9 | |
| 118 | 254.7 | 34.3 | 301.7 | 41.1 | 333.7 | 46.1 | 356.1 | 50.1 | 366.7 | 52.7 | 373.8 | 55.0 | |
| 125 | 222.1 | 31.3 | 235.8 | 33.6 | 244.0 | 35.2 | 253.4 | 37.2 | 260.9 | 39.2 | 265.9 | 40.9 | |

NOTE - Power Input = Compressor + Outdoor Fan Motor.
MBH = 1000 BTUs per hour.

COOLING CAPACITY - THREE MODULE | VRB432H4

| Combination (%) | Outdoor Temperature °F (Dry Bulb) | Indoor Temperature - °F (Dry Bulb / Wet Bulb) | | | | | | | | | | | |
|-----------------|-----------------------------------|---|-------------|------------|-------------|------------|-------------|------------|-------------|------------|-------------|------------|-------------|
| | | 67 / 57 | | 71 / 60 | | 75 / 63 | | 80 / 67 | | 85 / 71 | | 90 / 75 | |
| | | Total Cap. | Power Input | Total Cap. | Power Input | Total Cap. | Power Input | Total Cap. | Power Input | Total Cap. | Power Input | Total Cap. | Power Input |
| | | MBH | kW | MBH | kW | MBH | kW | MBH | kW | MBH | kW | MBH | kW |
| 90% | -10 | 229.2 | 9.1 | 278.5 | 11.2 | 325.0 | 13.2 | 388.8 | 16.1 | 455.5 | 19.3 | 519.4 | 22.5 |
| | -5 | 229.2 | 9.7 | 278.5 | 11.9 | 325.0 | 14.0 | 388.8 | 17.1 | 455.5 | 20.5 | 519.4 | 23.9 |
| | 10 | 229.2 | 9.9 | 278.5 | 12.1 | 325.0 | 14.3 | 388.8 | 17.5 | 455.5 | 20.9 | 519.4 | 24.5 |
| | 15 | 229.2 | 10.1 | 278.5 | 12.4 | 325.0 | 14.7 | 388.8 | 17.9 | 455.5 | 21.4 | 519.4 | 25.0 |
| | 20 | 229.2 | 10.3 | 278.5 | 12.7 | 325.0 | 15.0 | 388.8 | 18.3 | 455.5 | 21.9 | 519.4 | 25.5 |
| | 25 | 229.2 | 10.6 | 278.5 | 13.0 | 325.0 | 15.3 | 388.8 | 18.7 | 455.5 | 22.4 | 519.4 | 26.1 |
| | 30 | 229.2 | 10.8 | 278.5 | 13.3 | 325.0 | 15.7 | 388.8 | 19.1 | 455.5 | 22.9 | 519.4 | 26.7 |
| | 35 | 229.2 | 11.1 | 278.5 | 13.6 | 325.0 | 16.1 | 388.8 | 19.6 | 455.5 | 23.4 | 519.4 | 27.4 |
| | 40 | 229.2 | 11.3 | 278.5 | 13.9 | 325.0 | 16.5 | 388.8 | 20.1 | 455.5 | 24.0 | 519.4 | 28.0 |
| | 45 | 229.2 | 11.6 | 278.5 | 14.3 | 325.0 | 16.9 | 388.8 | 20.6 | 455.5 | 24.6 | 519.4 | 28.8 |
| | 50 | 229.2 | 11.9 | 278.5 | 14.7 | 325.0 | 17.3 | 388.8 | 21.1 | 455.5 | 25.3 | 519.4 | 29.5 |
| | 55 | 229.2 | 12.2 | 278.5 | 15.0 | 325.0 | 17.8 | 388.8 | 21.6 | 455.5 | 25.9 | 519.4 | 30.3 |
| | 60 | 229.2 | 12.6 | 278.5 | 15.4 | 325.0 | 18.2 | 388.8 | 22.2 | 455.5 | 26.6 | 519.4 | 31.1 |
| | 65 | 229.2 | 12.9 | 278.5 | 15.9 | 325.0 | 18.7 | 388.8 | 22.9 | 455.5 | 27.4 | 519.4 | 32.0 |
| | 70 | 229.2 | 14.1 | 278.5 | 17.3 | 325.0 | 20.4 | 388.8 | 24.9 | 455.5 | 29.8 | 519.4 | 34.8 |
| | 75 | 229.2 | 15.4 | 278.5 | 19.0 | 325.0 | 22.4 | 388.8 | 27.3 | 455.5 | 32.7 | 519.4 | 38.2 |
| | 80 | 229.2 | 16.9 | 278.5 | 20.8 | 325.0 | 24.6 | 388.8 | 30.0 | 455.5 | 35.9 | 519.4 | 41.9 |
| | 85 | 229.2 | 18.6 | 278.5 | 22.8 | 325.0 | 27.0 | 388.8 | 32.9 | 455.5 | 39.4 | 517.9 | 45.9 |
| | 90 | 229.2 | 20.4 | 278.5 | 25.0 | 325.0 | 29.6 | 388.8 | 36.0 | 455.5 | 43.1 | 514.7 | 49.9 |
| | 95 | 229.2 | 22.2 | 278.5 | 27.3 | 325.0 | 32.3 | 388.8 | 39.3 | 455.5 | 47.1 | 512.9 | 54.4 |
| | 100 | 229.2 | 24.2 | 278.5 | 29.7 | 325.0 | 35.1 | 388.8 | 42.8 | 455.3 | 51.2 | 506.5 | 58.4 |
| 105 | 229.2 | 26.1 | 278.5 | 32.1 | 325.0 | 37.9 | 388.8 | 46.2 | 449.6 | 54.6 | 492.3 | 61.3 | |
| 110 | 229.2 | 27.9 | 278.5 | 34.3 | 325.0 | 40.5 | 387.6 | 49.3 | 438.5 | 57.1 | 462.9 | 61.7 | |
| 115 | 229.2 | 29.6 | 278.5 | 36.3 | 324.8 | 42.9 | 374.4 | 50.4 | 403.8 | 55.6 | 411.5 | 58.1 | |
| 118 | 229.2 | 30.4 | 278.5 | 37.3 | 315.6 | 42.9 | 351.2 | 48.7 | 366.7 | 51.9 | 373.8 | 54.2 | |
| 125 | 213.6 | 29.6 | 235.8 | 33.1 | 244.0 | 34.6 | 253.4 | 36.6 | 260.9 | 38.6 | 265.9 | 40.3 | |
| 80% | -10 | 203.7 | 8.0 | 247.6 | 9.8 | 288.9 | 11.6 | 345.6 | 14.1 | 404.9 | 16.9 | 461.7 | 19.7 |
| | -5 | 203.7 | 8.5 | 247.6 | 10.4 | 288.9 | 12.3 | 345.6 | 15.0 | 404.9 | 18.0 | 461.7 | 21.0 |
| | 10 | 203.7 | 8.7 | 247.6 | 10.6 | 288.9 | 12.6 | 345.6 | 15.3 | 404.9 | 18.3 | 461.7 | 21.4 |
| | 15 | 203.7 | 8.8 | 247.6 | 10.9 | 288.9 | 12.8 | 345.6 | 15.7 | 404.9 | 18.8 | 461.7 | 21.9 |
| | 20 | 203.7 | 9.0 | 247.6 | 11.1 | 288.9 | 13.1 | 345.6 | 16.0 | 404.9 | 19.2 | 461.7 | 22.4 |
| | 25 | 203.7 | 9.2 | 247.6 | 11.4 | 288.9 | 13.4 | 345.6 | 16.4 | 404.9 | 19.6 | 461.7 | 22.9 |
| | 30 | 203.7 | 9.5 | 247.6 | 11.6 | 288.9 | 13.7 | 345.6 | 16.7 | 404.9 | 20.1 | 461.7 | 23.4 |
| | 35 | 203.7 | 9.7 | 247.6 | 11.9 | 288.9 | 14.1 | 345.6 | 17.1 | 404.9 | 20.5 | 461.7 | 24.0 |
| | 40 | 203.7 | 9.9 | 247.6 | 12.2 | 288.9 | 14.4 | 345.6 | 17.6 | 404.9 | 21.0 | 461.7 | 24.6 |
| | 45 | 203.7 | 10.2 | 247.6 | 12.5 | 288.9 | 14.8 | 345.6 | 18.0 | 404.9 | 21.6 | 461.7 | 25.2 |
| | 50 | 203.7 | 10.4 | 247.6 | 12.8 | 288.9 | 15.2 | 345.6 | 18.5 | 404.9 | 22.1 | 461.7 | 25.8 |
| | 55 | 203.7 | 10.7 | 247.6 | 13.2 | 288.9 | 15.6 | 345.6 | 19.0 | 404.9 | 22.7 | 461.7 | 26.5 |
| | 60 | 203.7 | 11.0 | 247.6 | 13.5 | 288.9 | 16.0 | 345.6 | 19.5 | 404.9 | 23.3 | 461.7 | 27.2 |
| | 65 | 203.7 | 11.3 | 247.6 | 13.9 | 288.9 | 16.4 | 345.6 | 20.0 | 404.9 | 24.0 | 461.7 | 28.0 |
| | 70 | 203.7 | 12.3 | 247.6 | 15.1 | 288.9 | 17.9 | 345.6 | 21.8 | 404.9 | 26.1 | 461.7 | 30.5 |
| | 75 | 203.7 | 13.5 | 247.6 | 16.6 | 288.9 | 19.6 | 345.6 | 23.9 | 404.9 | 28.6 | 461.7 | 33.4 |
| | 80 | 203.7 | 14.8 | 247.6 | 18.2 | 288.9 | 21.5 | 345.6 | 26.2 | 404.9 | 31.4 | 461.7 | 36.7 |
| | 85 | 203.7 | 16.3 | 247.6 | 20.0 | 288.9 | 23.6 | 345.6 | 28.8 | 404.9 | 34.5 | 461.7 | 40.3 |
| | 90 | 203.7 | 17.8 | 247.6 | 21.9 | 288.9 | 25.9 | 345.6 | 31.5 | 404.9 | 37.8 | 461.7 | 44.1 |
| | 95 | 203.7 | 19.5 | 247.6 | 23.9 | 288.9 | 28.3 | 345.6 | 34.5 | 404.9 | 41.3 | 461.7 | 48.2 |
| | 100 | 203.7 | 21.2 | 247.6 | 26.0 | 288.9 | 30.7 | 345.6 | 37.5 | 404.9 | 44.9 | 461.7 | 52.4 |
| 105 | 203.7 | 22.9 | 247.6 | 28.1 | 288.9 | 33.2 | 345.6 | 40.4 | 404.9 | 48.4 | 456.4 | 56.0 | |
| 110 | 203.7 | 24.5 | 247.6 | 30.1 | 288.9 | 35.5 | 345.6 | 43.3 | 402.4 | 51.5 | 445.5 | 58.5 | |
| 115 | 203.7 | 25.9 | 247.6 | 31.8 | 288.9 | 37.6 | 343.2 | 45.5 | 387.8 | 52.6 | 411.5 | 57.2 | |
| 118 | 203.7 | 26.6 | 247.6 | 32.7 | 288.9 | 38.6 | 333.6 | 45.5 | 363.1 | 50.7 | 373.8 | 53.4 | |
| 125 | 198.0 | 27.0 | 225.8 | 31.2 | 244.0 | 34.1 | 253.4 | 36.1 | 260.9 | 38.0 | 265.9 | 39.7 | |

NOTE - Power Input = Compressor + Outdoor Fan Motor.
MBH = 1000 BTUs per hour.

COOLING CAPACITY - THREE MODULE | VRB432H4

| Combination (%) | Outdoor Temperature °F (Dry Bulb) | Indoor Temperature - °F (Dry Bulb / Wet Bulb) | | | | | | | | | | | |
|-----------------|-----------------------------------|---|-------------|------------|-------------|------------|-------------|------------|-------------|------------|-------------|------------|-------------|
| | | 67 / 57 | | 71 / 60 | | 75 / 63 | | 80 / 67 | | 85 / 71 | | 90 / 75 | |
| | | Total Cap. | Power Input | Total Cap. | Power Input | Total Cap. | Power Input | Total Cap. | Power Input | Total Cap. | Power Input | Total Cap. | Power Input |
| | | MBH | KW | MBH | KW | MBH | KW | MBH | KW | MBH | KW | MBH | KW |
| 70% | -10 | 178.3 | 6.9 | 216.6 | 8.5 | 252.8 | 10.0 | 302.4 | 12.2 | 354.3 | 14.6 | 404.0 | 17.0 |
| | -5 | 178.3 | 7.3 | 216.6 | 9.0 | 252.8 | 10.6 | 302.4 | 12.9 | 354.3 | 15.5 | 404.0 | 18.1 |
| | 10 | 178.3 | 7.5 | 216.6 | 9.2 | 252.8 | 10.8 | 302.4 | 13.2 | 354.3 | 15.8 | 404.0 | 18.5 |
| | 15 | 178.3 | 7.6 | 216.6 | 9.4 | 252.8 | 11.1 | 302.4 | 13.5 | 354.3 | 16.2 | 404.0 | 18.9 |
| | 20 | 178.3 | 7.8 | 216.6 | 9.6 | 252.8 | 11.3 | 302.4 | 13.8 | 354.3 | 16.5 | 404.0 | 19.3 |
| | 25 | 178.3 | 8.0 | 216.6 | 9.8 | 252.8 | 11.6 | 302.4 | 14.1 | 354.3 | 16.9 | 404.0 | 19.7 |
| | 30 | 178.3 | 8.2 | 216.6 | 10.0 | 252.8 | 11.8 | 302.4 | 14.4 | 354.3 | 17.3 | 404.0 | 20.2 |
| | 35 | 178.3 | 8.4 | 216.6 | 10.3 | 252.8 | 12.1 | 302.4 | 14.8 | 354.3 | 17.7 | 404.0 | 20.7 |
| | 40 | 178.3 | 8.6 | 216.6 | 10.5 | 252.8 | 12.4 | 302.4 | 15.1 | 354.3 | 18.1 | 404.0 | 21.2 |
| | 45 | 178.3 | 8.8 | 216.6 | 10.8 | 252.8 | 12.7 | 302.4 | 15.5 | 354.3 | 18.6 | 404.0 | 21.7 |
| | 50 | 178.3 | 9.0 | 216.6 | 11.1 | 252.8 | 13.1 | 302.4 | 15.9 | 354.3 | 19.1 | 404.0 | 22.3 |
| | 55 | 178.3 | 9.2 | 216.6 | 11.4 | 252.8 | 13.4 | 302.4 | 16.4 | 354.3 | 19.6 | 404.0 | 22.9 |
| | 60 | 178.3 | 9.5 | 216.6 | 11.7 | 252.8 | 13.8 | 302.4 | 16.8 | 354.3 | 20.1 | 404.0 | 23.5 |
| | 65 | 178.3 | 9.8 | 216.6 | 12.0 | 252.8 | 14.2 | 302.4 | 17.3 | 354.3 | 20.7 | 404.0 | 24.1 |
| | 70 | 178.3 | 10.6 | 216.6 | 13.0 | 252.8 | 15.4 | 302.4 | 18.8 | 354.3 | 22.5 | 404.0 | 26.3 |
| | 75 | 178.3 | 11.7 | 216.6 | 14.3 | 252.8 | 16.9 | 302.4 | 20.6 | 354.3 | 24.7 | 404.0 | 28.8 |
| | 80 | 178.3 | 12.8 | 216.6 | 15.7 | 252.8 | 18.6 | 302.4 | 22.6 | 354.3 | 27.1 | 404.0 | 31.7 |
| | 85 | 178.3 | 14.0 | 216.6 | 17.3 | 252.8 | 20.4 | 302.4 | 24.8 | 354.3 | 29.8 | 404.0 | 34.7 |
| | 90 | 178.3 | 15.4 | 216.6 | 18.9 | 252.8 | 22.3 | 302.4 | 27.2 | 354.3 | 32.6 | 404.0 | 38.1 |
| | 95 | 178.3 | 16.8 | 216.6 | 20.6 | 252.8 | 24.4 | 302.4 | 29.7 | 354.3 | 35.6 | 404.0 | 41.6 |
| | 100 | 178.3 | 18.3 | 216.6 | 22.4 | 252.8 | 26.5 | 302.4 | 32.3 | 354.3 | 38.7 | 404.0 | 45.2 |
| | 105 | 178.3 | 19.7 | 216.6 | 24.2 | 252.8 | 28.6 | 302.4 | 34.9 | 354.3 | 41.8 | 404.0 | 48.8 |
| 110 | 178.3 | 21.1 | 216.6 | 25.9 | 252.8 | 30.6 | 302.4 | 37.3 | 354.3 | 44.7 | 403.8 | 52.2 | |
| 115 | 178.3 | 22.3 | 216.6 | 27.4 | 252.8 | 32.4 | 302.4 | 39.5 | 352.2 | 47.0 | 389.9 | 53.4 | |
| 118 | 178.3 | 23.0 | 216.6 | 28.2 | 252.8 | 33.3 | 302.4 | 40.6 | 342.4 | 47.1 | 367.2 | 51.7 | |
| 125 | 176.5 | 23.7 | 209.5 | 28.5 | 232.5 | 32.0 | 253.4 | 35.6 | 260.9 | 37.5 | 265.9 | 39.1 | |
| 60% | -10 | 152.8 | 5.8 | 185.7 | 7.1 | 216.6 | 8.4 | 259.2 | 10.3 | 303.7 | 12.3 | 346.2 | 14.4 |
| | -5 | 152.8 | 6.2 | 185.7 | 7.6 | 216.6 | 9.0 | 259.2 | 10.9 | 303.7 | 13.1 | 346.2 | 15.3 |
| | 10 | 152.8 | 6.3 | 185.7 | 7.8 | 216.6 | 9.2 | 259.2 | 11.2 | 303.7 | 13.4 | 346.2 | 15.6 |
| | 15 | 152.8 | 6.4 | 185.7 | 7.9 | 216.6 | 9.4 | 259.2 | 11.4 | 303.7 | 13.7 | 346.2 | 16.0 |
| | 20 | 152.8 | 6.6 | 185.7 | 8.1 | 216.6 | 9.6 | 259.2 | 11.7 | 303.7 | 14.0 | 346.2 | 16.3 |
| | 25 | 152.8 | 6.7 | 185.7 | 8.3 | 216.6 | 9.8 | 259.2 | 11.9 | 303.7 | 14.3 | 346.2 | 16.7 |
| | 30 | 152.8 | 6.9 | 185.7 | 8.5 | 216.6 | 10.0 | 259.2 | 12.2 | 303.7 | 14.6 | 346.2 | 17.1 |
| | 35 | 152.8 | 7.1 | 185.7 | 8.7 | 216.6 | 10.3 | 259.2 | 12.5 | 303.7 | 15.0 | 346.2 | 17.5 |
| | 40 | 152.8 | 7.2 | 185.7 | 8.9 | 216.6 | 10.5 | 259.2 | 12.8 | 303.7 | 15.3 | 346.2 | 17.9 |
| | 45 | 152.8 | 7.4 | 185.7 | 9.1 | 216.6 | 10.8 | 259.2 | 13.1 | 303.7 | 15.7 | 346.2 | 18.4 |
| | 50 | 152.8 | 7.6 | 185.7 | 9.4 | 216.6 | 11.0 | 259.2 | 13.5 | 303.7 | 16.1 | 346.2 | 18.8 |
| | 55 | 152.8 | 7.8 | 185.7 | 9.6 | 216.6 | 11.3 | 259.2 | 13.8 | 303.7 | 16.6 | 346.2 | 19.3 |
| | 60 | 152.8 | 8.0 | 185.7 | 9.9 | 216.6 | 11.6 | 259.2 | 14.2 | 303.7 | 17.0 | 346.2 | 19.9 |
| | 65 | 152.8 | 8.2 | 185.7 | 10.1 | 216.6 | 12.0 | 259.2 | 14.6 | 303.7 | 17.5 | 346.2 | 20.4 |
| | 70 | 152.8 | 9.0 | 185.7 | 11.0 | 216.6 | 13.0 | 259.2 | 15.9 | 303.7 | 19.0 | 346.2 | 22.2 |
| | 75 | 152.8 | 9.8 | 185.7 | 12.1 | 216.6 | 14.3 | 259.2 | 17.4 | 303.7 | 20.9 | 346.2 | 24.4 |
| | 80 | 152.8 | 10.8 | 185.7 | 13.3 | 216.6 | 15.7 | 259.2 | 19.1 | 303.7 | 22.9 | 346.2 | 26.8 |
| | 85 | 152.8 | 11.9 | 185.7 | 14.6 | 216.6 | 17.2 | 259.2 | 21.0 | 303.7 | 25.1 | 346.2 | 29.4 |
| | 90 | 152.8 | 13.0 | 185.7 | 16.0 | 216.6 | 18.9 | 259.2 | 23.0 | 303.7 | 27.5 | 346.2 | 32.2 |
| | 95 | 152.8 | 14.2 | 185.7 | 17.4 | 216.6 | 20.6 | 259.2 | 25.1 | 303.7 | 30.1 | 346.2 | 35.1 |
| | 100 | 152.8 | 15.4 | 185.7 | 19.0 | 216.6 | 22.4 | 259.2 | 27.3 | 303.7 | 32.7 | 346.2 | 38.2 |
| | 105 | 152.8 | 16.7 | 185.7 | 20.5 | 216.6 | 24.2 | 259.2 | 29.5 | 303.7 | 35.3 | 346.2 | 41.2 |
| 110 | 152.8 | 17.8 | 185.7 | 21.9 | 216.6 | 25.9 | 259.2 | 31.5 | 303.7 | 37.8 | 346.2 | 44.1 | |
| 115 | 152.8 | 18.9 | 185.7 | 23.2 | 216.6 | 27.4 | 259.2 | 33.4 | 303.7 | 40.0 | 346.2 | 46.7 | |
| 118 | 152.8 | 19.4 | 185.7 | 23.8 | 216.6 | 28.1 | 259.2 | 34.3 | 303.7 | 41.1 | 338.2 | 46.9 | |
| 125 | 152.8 | 20.2 | 185.7 | 24.9 | 211.4 | 28.7 | 240.4 | 33.3 | 259.8 | 36.8 | 265.9 | 38.6 | |

NOTE - Power Input = Compressor + Outdoor Fan Motor.
MBH = 1000 BTUs per hour.

COOLING CAPACITY - THREE MODULE | VRB432H4

| Combination (%) | Outdoor Temperature °F (Dry Bulb) | Indoor Temperature - °F (Dry Bulb / Wet Bulb) | | | | | | | | | | | |
|-----------------|-----------------------------------|---|-------------|------------|-------------|------------|-------------|------------|-------------|------------|-------------|------------|-------------|
| | | 67 / 57 | | 71 / 60 | | 75 / 63 | | 80 / 67 | | 85 / 71 | | 90 / 75 | |
| | | Total Cap. | Power Input | Total Cap. | Power Input | Total Cap. | Power Input | Total Cap. | Power Input | Total Cap. | Power Input | Total Cap. | Power Input |
| | | MBH | kW | MBH | kW | MBH | kW | MBH | kW | MBH | kW | MBH | kW |
| 50% | -10 | 122.8 | 4.6 | 154.7 | 5.9 | 180.5 | 6.9 | 216.0 | 8.4 | 253.1 | 10.1 | 288.5 | 11.8 |
| | -5 | 127.3 | 5.1 | 154.7 | 6.2 | 180.5 | 7.4 | 216.0 | 9.0 | 253.1 | 10.8 | 288.5 | 12.6 |
| | 10 | 127.3 | 5.2 | 154.7 | 6.4 | 180.5 | 7.5 | 216.0 | 9.2 | 253.1 | 11.0 | 288.5 | 12.8 |
| | 15 | 127.3 | 5.3 | 154.7 | 6.5 | 180.5 | 7.7 | 216.0 | 9.4 | 253.1 | 11.2 | 288.5 | 13.1 |
| | 20 | 127.3 | 5.4 | 154.7 | 6.7 | 180.5 | 7.9 | 216.0 | 9.6 | 253.1 | 11.5 | 288.5 | 13.4 |
| | 25 | 127.3 | 5.5 | 154.7 | 6.8 | 180.5 | 8.0 | 216.0 | 9.8 | 253.1 | 11.7 | 288.5 | 13.7 |
| | 30 | 127.3 | 5.7 | 154.7 | 7.0 | 180.5 | 8.2 | 216.0 | 10.0 | 253.1 | 12.0 | 288.5 | 14.0 |
| | 35 | 127.3 | 5.8 | 154.7 | 7.1 | 180.5 | 8.4 | 216.0 | 10.3 | 253.1 | 12.3 | 288.5 | 14.4 |
| | 40 | 127.3 | 5.9 | 154.7 | 7.3 | 180.5 | 8.6 | 216.0 | 10.5 | 253.1 | 12.6 | 288.5 | 14.7 |
| | 45 | 127.3 | 6.1 | 154.7 | 7.5 | 180.5 | 8.8 | 216.0 | 10.8 | 253.1 | 12.9 | 288.5 | 15.1 |
| | 50 | 127.3 | 6.3 | 154.7 | 7.7 | 180.5 | 9.1 | 216.0 | 11.1 | 253.1 | 13.2 | 288.5 | 15.5 |
| | 55 | 127.3 | 6.4 | 154.7 | 7.9 | 180.5 | 9.3 | 216.0 | 11.4 | 253.1 | 13.6 | 288.5 | 15.9 |
| | 60 | 127.3 | 6.6 | 154.7 | 8.1 | 180.5 | 9.6 | 216.0 | 11.7 | 253.1 | 14.0 | 288.5 | 16.3 |
| | 65 | 127.3 | 6.8 | 154.7 | 8.3 | 180.5 | 9.8 | 216.0 | 12.0 | 253.1 | 14.4 | 288.5 | 16.8 |
| | 70 | 127.3 | 7.4 | 154.7 | 9.1 | 180.5 | 10.7 | 216.0 | 13.0 | 253.1 | 15.6 | 288.5 | 18.2 |
| | 75 | 127.3 | 8.1 | 154.7 | 9.9 | 180.5 | 11.7 | 216.0 | 14.3 | 253.1 | 17.1 | 288.5 | 20.0 |
| | 80 | 127.3 | 8.9 | 154.7 | 10.9 | 180.5 | 12.9 | 216.0 | 15.7 | 253.1 | 18.8 | 288.5 | 22.0 |
| | 85 | 127.3 | 9.7 | 154.7 | 12.0 | 180.5 | 14.1 | 216.0 | 17.2 | 253.1 | 20.7 | 288.5 | 24.1 |
| | 90 | 127.3 | 10.7 | 154.7 | 13.1 | 180.5 | 15.5 | 216.0 | 18.9 | 253.1 | 22.6 | 288.5 | 26.4 |
| | 95 | 127.3 | 11.7 | 154.7 | 14.3 | 180.5 | 16.9 | 216.0 | 20.6 | 253.1 | 24.7 | 288.5 | 28.9 |
| 100 | 127.3 | 12.7 | 154.7 | 15.6 | 180.5 | 18.4 | 216.0 | 22.4 | 253.1 | 26.9 | 288.5 | 31.4 | |
| 105 | 127.3 | 13.7 | 154.7 | 16.8 | 180.5 | 19.9 | 216.0 | 24.2 | 253.1 | 29.0 | 288.5 | 33.9 | |
| 110 | 127.3 | 14.7 | 154.7 | 18.0 | 180.5 | 21.3 | 216.0 | 25.9 | 253.1 | 31.0 | 288.5 | 36.3 | |
| 115 | 127.3 | 15.5 | 154.7 | 19.1 | 180.5 | 22.5 | 216.0 | 27.4 | 253.1 | 32.8 | 288.5 | 38.4 | |
| 118 | 127.3 | 15.9 | 154.7 | 19.6 | 180.5 | 23.1 | 216.0 | 28.2 | 253.1 | 33.8 | 288.5 | 39.4 | |
| 125 | 127.3 | 16.6 | 154.7 | 20.4 | 180.5 | 24.1 | 213.0 | 29.0 | 241.5 | 33.7 | 257.8 | 36.8 | |

NOTE - Power Input = Compressor + Outdoor Fan Motor.
 MBH = 1000 BTUs per hour.

COOLING CAPACITY - THREE MODULE | VRB456H4

| Combination (%) | Outdoor Temperature °F (Dry Bulb) | Indoor Temperature - °F (Dry Bulb / Wet Bulb) | | | | | | | | | | | |
|-----------------|-----------------------------------|---|-------------|------------|-------------|------------|-------------|------------|-------------|------------|-------------|------------|-------------|
| | | 67 / 57 | | 71 / 60 | | 75 / 63 | | 80 / 67 | | 85 / 71 | | 90 / 75 | |
| | | Total Cap. | Power Input | Total Cap. | Power Input | Total Cap. | Power Input | Total Cap. | Power Input | Total Cap. | Power Input | Total Cap. | Power Input |
| | | MBH | kW | MBH | kW | MBH | kW | MBH | kW | MBH | kW | MBH | kW |
| 130% | -10 | 349.5 | 15.0 | 424.7 | 18.4 | 495.5 | 21.7 | 592.8 | 26.5 | 694.5 | 31.7 | 791.9 | 37.0 |
| | -5 | 349.5 | 15.9 | 424.7 | 19.5 | 495.5 | 23.1 | 592.8 | 28.1 | 694.5 | 33.7 | 778.7 | 38.7 |
| | 10 | 349.5 | 16.2 | 424.7 | 20.0 | 495.5 | 23.6 | 592.8 | 28.7 | 694.5 | 34.4 | 773.9 | 39.3 |
| | 15 | 349.5 | 16.6 | 424.7 | 20.4 | 495.5 | 24.1 | 592.8 | 29.4 | 694.5 | 35.2 | 759.8 | 39.4 |
| | 20 | 349.5 | 17.0 | 424.7 | 20.8 | 495.5 | 24.6 | 592.8 | 30.0 | 694.5 | 35.9 | 744.6 | 39.5 |
| | 25 | 349.5 | 17.4 | 424.7 | 21.3 | 495.5 | 25.2 | 592.8 | 30.7 | 694.5 | 36.8 | 728.2 | 39.5 |
| | 30 | 349.5 | 17.8 | 424.7 | 21.8 | 495.5 | 25.8 | 592.8 | 31.4 | 688.2 | 37.3 | 712.1 | 39.5 |
| | 35 | 349.5 | 18.2 | 424.7 | 22.4 | 495.5 | 26.4 | 592.8 | 32.2 | 683.4 | 37.9 | 696.9 | 39.6 |
| | 40 | 349.5 | 18.6 | 424.7 | 22.9 | 495.5 | 27.0 | 592.8 | 33.0 | 680.9 | 38.7 | 687.7 | 40.0 |
| | 45 | 349.5 | 19.1 | 424.7 | 23.5 | 495.5 | 27.7 | 592.8 | 33.8 | 680.5 | 39.6 | 684.8 | 40.9 |
| | 50 | 349.5 | 19.6 | 424.7 | 24.1 | 495.5 | 28.4 | 592.8 | 34.7 | 674.2 | 40.3 | 683.3 | 41.8 |
| | 55 | 349.5 | 20.1 | 424.7 | 24.7 | 495.5 | 29.2 | 592.8 | 35.6 | 673.8 | 41.3 | 682.9 | 42.9 |
| | 60 | 349.5 | 20.7 | 424.7 | 25.4 | 495.5 | 30.0 | 592.8 | 36.5 | 676.4 | 42.6 | 683.5 | 44.1 |
| | 65 | 349.5 | 21.2 | 424.7 | 26.1 | 495.5 | 30.8 | 592.8 | 37.6 | 671.7 | 43.5 | 684.6 | 45.4 |
| | 70 | 349.5 | 23.1 | 424.7 | 28.4 | 495.5 | 33.5 | 592.8 | 40.9 | 672.5 | 47.4 | 685.4 | 49.5 |
| | 75 | 349.5 | 25.4 | 424.7 | 31.2 | 495.5 | 36.8 | 592.8 | 44.8 | 672.4 | 52.0 | 685.3 | 54.3 |
| | 80 | 349.5 | 27.8 | 424.7 | 34.2 | 495.5 | 40.4 | 592.8 | 49.2 | 670.3 | 56.9 | 683.2 | 59.4 |
| | 85 | 349.5 | 30.5 | 424.7 | 37.5 | 495.5 | 44.3 | 592.8 | 54.0 | 665.2 | 62.0 | 678.0 | 64.7 |
| | 90 | 349.5 | 33.5 | 424.7 | 41.1 | 495.5 | 48.6 | 592.8 | 59.2 | 655.8 | 66.9 | 668.4 | 69.9 |
| | 95 | 349.5 | 36.5 | 424.7 | 44.9 | 495.5 | 53.0 | 585.2 | 63.8 | 606.7 | 67.6 | 615.8 | 70.3 |
| | 100 | 349.5 | 39.7 | 424.7 | 48.8 | 495.5 | 57.7 | 575.6 | 68.2 | 582.8 | 70.6 | 594.0 | 73.7 |
| 105 | 349.5 | 42.9 | 424.7 | 52.7 | 495.5 | 62.3 | 536.7 | 68.7 | 552.6 | 72.3 | 563.2 | 75.5 | |
| 110 | 349.5 | 45.9 | 424.7 | 56.4 | 478.1 | 64.3 | 497.0 | 68.1 | 511.8 | 71.6 | 521.6 | 74.8 | |
| 115 | 349.5 | 48.6 | 409.6 | 57.5 | 428.6 | 60.9 | 445.1 | 64.5 | 458.4 | 67.9 | 467.2 | 70.9 | |
| 118 | 343.4 | 49.1 | 378.5 | 54.7 | 391.6 | 57.2 | 406.7 | 60.6 | 418.8 | 63.8 | 426.8 | 66.6 | |
| 125 | 263.7 | 39.3 | 275.3 | 41.5 | 284.9 | 43.4 | 295.9 | 45.9 | 304.6 | 48.4 | 310.5 | 50.5 | |
| 120% | -10 | 322.6 | 13.6 | 392.0 | 16.7 | 457.4 | 19.7 | 547.2 | 24.1 | 641.1 | 28.8 | 731.0 | 33.6 |
| | -5 | 322.6 | 14.5 | 392.0 | 17.8 | 457.4 | 21.0 | 547.2 | 25.6 | 641.1 | 30.6 | 731.0 | 35.8 |
| | 10 | 322.6 | 14.8 | 392.0 | 18.1 | 457.4 | 21.4 | 547.2 | 26.1 | 641.1 | 31.3 | 730.8 | 36.5 |
| | 15 | 322.6 | 15.1 | 392.0 | 18.5 | 457.4 | 21.9 | 547.2 | 26.7 | 641.1 | 32.0 | 725.6 | 37.1 |
| | 20 | 322.6 | 15.4 | 392.0 | 18.9 | 457.4 | 22.4 | 547.2 | 27.3 | 641.1 | 32.7 | 720.4 | 37.6 |
| | 25 | 322.6 | 15.8 | 392.0 | 19.4 | 457.4 | 22.9 | 547.2 | 27.9 | 641.1 | 33.4 | 715.0 | 38.2 |
| | 30 | 322.6 | 16.1 | 392.0 | 19.8 | 457.4 | 23.4 | 547.2 | 28.6 | 641.1 | 34.2 | 699.3 | 38.2 |
| | 35 | 322.6 | 16.5 | 392.0 | 20.3 | 457.4 | 24.0 | 547.2 | 29.2 | 641.1 | 35.0 | 684.1 | 38.3 |
| | 40 | 322.6 | 16.9 | 392.0 | 20.8 | 457.4 | 24.6 | 547.2 | 30.0 | 641.1 | 35.9 | 674.7 | 38.7 |
| | 45 | 322.6 | 17.4 | 392.0 | 21.3 | 457.4 | 25.2 | 547.2 | 30.7 | 641.1 | 36.8 | 671.9 | 39.5 |
| | 50 | 322.6 | 17.8 | 392.0 | 21.9 | 457.4 | 25.8 | 547.2 | 31.5 | 641.1 | 37.7 | 670.4 | 40.4 |
| | 55 | 322.6 | 18.3 | 392.0 | 22.5 | 457.4 | 26.5 | 547.2 | 32.3 | 641.1 | 38.7 | 670.1 | 41.4 |
| | 60 | 322.6 | 18.8 | 392.0 | 23.1 | 457.4 | 27.2 | 547.2 | 33.2 | 641.1 | 39.8 | 670.6 | 42.6 |
| | 65 | 322.6 | 19.3 | 392.0 | 23.7 | 457.4 | 28.0 | 547.2 | 34.1 | 641.1 | 40.9 | 671.6 | 43.9 |
| | 70 | 322.6 | 21.0 | 392.0 | 25.8 | 457.4 | 30.5 | 547.2 | 37.1 | 641.1 | 44.5 | 672.5 | 47.8 |
| | 75 | 322.6 | 23.0 | 392.0 | 28.3 | 457.4 | 33.4 | 547.2 | 40.8 | 641.1 | 48.8 | 672.4 | 52.4 |
| | 80 | 322.6 | 25.3 | 392.0 | 31.1 | 457.4 | 36.7 | 547.2 | 44.7 | 640.3 | 53.5 | 670.3 | 57.4 |
| | 85 | 322.6 | 27.8 | 392.0 | 34.1 | 457.4 | 40.3 | 547.2 | 49.1 | 637.7 | 58.5 | 665.2 | 62.5 |
| | 90 | 322.6 | 30.4 | 392.0 | 37.4 | 457.4 | 44.1 | 547.2 | 53.8 | 633.4 | 63.7 | 655.8 | 67.5 |
| | 95 | 322.6 | 33.2 | 392.0 | 40.8 | 457.4 | 48.2 | 547.2 | 58.8 | 606.7 | 66.6 | 615.8 | 69.2 |
| | 100 | 322.6 | 36.1 | 392.0 | 44.4 | 457.4 | 52.4 | 547.2 | 63.9 | 582.8 | 69.5 | 594.0 | 72.6 |
| 105 | 322.6 | 39.0 | 392.0 | 47.9 | 457.4 | 56.6 | 532.5 | 67.1 | 552.6 | 71.2 | 563.2 | 74.3 | |
| 110 | 322.6 | 41.7 | 392.0 | 51.3 | 454.1 | 60.1 | 497.0 | 67.0 | 511.8 | 70.5 | 521.6 | 73.6 | |
| 115 | 322.6 | 44.1 | 389.0 | 53.8 | 428.6 | 60.0 | 445.1 | 63.5 | 458.4 | 66.8 | 467.2 | 69.8 | |
| 118 | 322.6 | 45.4 | 375.6 | 53.4 | 391.6 | 56.4 | 406.7 | 59.6 | 418.8 | 62.8 | 426.8 | 65.5 | |
| 125 | 263.7 | 38.7 | 275.3 | 40.8 | 284.9 | 42.8 | 295.9 | 45.2 | 304.6 | 47.6 | 310.5 | 49.7 | |

NOTE - Power Input = Compressor + Outdoor Fan Motor.
MBH = 1000 BTUs per hour.

COOLING CAPACITY - THREE MODULE | VRB456H4

| Combination (%) | Outdoor Temperature °F (Dry Bulb) | Indoor Temperature - °F (Dry Bulb / Wet Bulb) | | | | | | | | | | | |
|-----------------|-----------------------------------|---|-------------|------------|-------------|------------|-------------|--------------|-------------|------------|-------------|------------|-------------|
| | | 67 / 57 | | 71 / 60 | | 75 / 63 | | 80 / 67 | | 85 / 71 | | 90 / 75 | |
| | | Total Cap. | Power Input | Total Cap. | Power Input | Total Cap. | Power Input | Total Cap. | Power Input | Total Cap. | Power Input | Total Cap. | Power Input |
| | | MBH | KW | MBH | KW | MBH | KW | MBH | KW | MBH | KW | MBH | KW |
| 110% | -10 | 295.7 | 12.3 | 359.4 | 15.1 | 419.2 | 17.8 | 501.6 | 21.7 | 587.7 | 26.0 | 670.0 | 30.4 |
| | -5 | 295.7 | 13.0 | 359.4 | 16.0 | 419.2 | 18.9 | 501.6 | 23.1 | 587.7 | 27.6 | 670.0 | 32.3 |
| | 10 | 295.7 | 13.3 | 359.4 | 16.4 | 419.2 | 19.3 | 501.6 | 23.6 | 587.7 | 28.2 | 670.0 | 33.0 |
| | 15 | 295.7 | 13.6 | 359.4 | 16.7 | 419.2 | 19.8 | 501.6 | 24.1 | 587.7 | 28.9 | 670.0 | 33.7 |
| | 20 | 295.7 | 13.9 | 359.4 | 17.1 | 419.2 | 20.2 | 501.6 | 24.6 | 587.7 | 29.5 | 670.0 | 34.4 |
| | 25 | 295.7 | 14.2 | 359.4 | 17.5 | 419.2 | 20.7 | 501.6 | 25.2 | 587.7 | 30.2 | 670.0 | 35.2 |
| | 30 | 295.7 | 14.6 | 359.4 | 17.9 | 419.2 | 21.1 | 501.6 | 25.8 | 587.7 | 30.9 | 666.9 | 35.9 |
| | 35 | 295.7 | 14.9 | 359.4 | 18.3 | 419.2 | 21.7 | 501.6 | 26.4 | 587.7 | 31.6 | 662.2 | 36.5 |
| | 40 | 295.7 | 15.3 | 359.4 | 18.8 | 419.2 | 22.2 | 501.6 | 27.0 | 587.7 | 32.4 | 659.5 | 37.2 |
| | 45 | 295.7 | 15.7 | 359.4 | 19.3 | 419.2 | 22.7 | 501.6 | 27.7 | 587.7 | 33.2 | 659.0 | 38.1 |
| | 50 | 295.7 | 16.1 | 359.4 | 19.8 | 419.2 | 23.3 | 501.6 | 28.4 | 587.7 | 34.1 | 657.5 | 39.0 |
| | 55 | 295.7 | 16.5 | 359.4 | 20.3 | 419.2 | 23.9 | 501.6 | 29.2 | 587.7 | 35.0 | 657.2 | 40.0 |
| | 60 | 295.7 | 16.9 | 359.4 | 20.8 | 419.2 | 24.6 | 501.6 | 30.0 | 587.7 | 35.9 | 657.7 | 41.1 |
| | 65 | 295.7 | 17.4 | 359.4 | 21.4 | 419.2 | 25.3 | 501.6 | 30.8 | 587.7 | 36.9 | 658.7 | 42.4 |
| | 70 | 295.7 | 18.9 | 359.4 | 23.3 | 419.2 | 27.5 | 501.6 | 33.5 | 587.7 | 40.1 | 659.5 | 46.1 |
| | 75 | 295.7 | 20.8 | 359.4 | 25.6 | 419.2 | 30.2 | 501.6 | 36.8 | 587.7 | 44.1 | 659.4 | 50.6 |
| | 80 | 295.7 | 22.8 | 359.4 | 28.1 | 419.2 | 33.1 | 501.6 | 40.4 | 587.7 | 48.4 | 657.4 | 55.4 |
| | 85 | 295.7 | 25.1 | 359.4 | 30.8 | 419.2 | 36.4 | 501.6 | 44.3 | 587.7 | 53.1 | 652.4 | 60.4 |
| | 90 | 295.7 | 27.5 | 359.4 | 33.7 | 419.2 | 39.8 | 501.6 | 48.6 | 587.7 | 58.2 | 643.1 | 65.2 |
| | 95 | 295.7 | 30.0 | 359.4 | 36.9 | 419.2 | 43.5 | 501.6 | 53.0 | 587.7 | 63.5 | 615.8 | 68.2 |
| 100 | 295.7 | 32.6 | 359.4 | 40.1 | 419.2 | 47.3 | 501.6 | 57.7 | 575.7 | 67.6 | 594.0 | 71.5 | |
| 105 | 295.7 | 35.2 | 359.4 | 43.3 | 419.2 | 51.1 | 501.6 | 62.3 | 552.6 | 70.1 | 563.2 | 73.2 | |
| 110 | 295.7 | 37.7 | 359.4 | 46.3 | 419.2 | 54.7 | 488.4 | 64.8 | 511.8 | 69.5 | 521.6 | 72.5 | |
| 115 | 295.7 | 39.8 | 359.4 | 49.0 | 411.1 | 56.7 | 445.1 | 62.5 | 458.4 | 65.8 | 467.2 | 68.7 | |
| 118 | 295.7 | 41.0 | 355.0 | 49.7 | 391.6 | 55.5 | 406.7 | 58.7 | 418.8 | 61.8 | 426.8 | 64.5 | |
| 125 | 263.7 | 38.1 | 275.3 | 40.2 | 284.9 | 42.1 | 295.9 | 44.5 | 304.6 | 46.9 | 310.5 | 49.0 | |
| 100% | -10 | 268.8 | 11.0 | 326.7 | 13.5 | 381.1 | 16.0 | 456.0 | 19.4 | 534.3 | 23.3 | 609.1 | 27.2 |
| | -5 | 268.8 | 11.7 | 326.7 | 14.4 | 381.1 | 17.0 | 456.0 | 20.7 | 534.3 | 24.8 | 609.1 | 28.9 |
| | 10 | 268.8 | 11.9 | 326.7 | 14.7 | 381.1 | 17.3 | 456.0 | 21.1 | 534.3 | 25.3 | 609.1 | 29.5 |
| | 15 | 268.8 | 12.2 | 326.7 | 15.0 | 381.1 | 17.7 | 456.0 | 21.6 | 534.3 | 25.8 | 609.1 | 30.2 |
| | 20 | 268.8 | 12.5 | 326.7 | 15.3 | 381.1 | 18.1 | 456.0 | 22.0 | 534.3 | 26.4 | 609.1 | 30.8 |
| | 25 | 268.8 | 12.7 | 326.7 | 15.7 | 381.1 | 18.5 | 456.0 | 22.6 | 534.3 | 27.0 | 609.1 | 31.5 |
| | 30 | 268.8 | 13.0 | 326.7 | 16.0 | 381.1 | 18.9 | 456.0 | 23.1 | 534.3 | 27.6 | 609.1 | 32.3 |
| | 35 | 268.8 | 13.4 | 326.7 | 16.4 | 381.1 | 19.4 | 456.0 | 23.6 | 534.3 | 28.3 | 609.1 | 33.1 |
| | 40 | 268.8 | 13.7 | 326.7 | 16.8 | 381.1 | 19.9 | 456.0 | 24.2 | 534.3 | 29.0 | 609.1 | 33.9 |
| | 45 | 268.8 | 14.0 | 326.7 | 17.2 | 381.1 | 20.4 | 456.0 | 24.8 | 534.3 | 29.7 | 609.1 | 34.7 |
| | 50 | 268.8 | 14.4 | 326.7 | 17.7 | 381.1 | 20.9 | 456.0 | 25.5 | 534.3 | 30.5 | 609.1 | 35.6 |
| | 55 | 268.8 | 14.8 | 326.7 | 18.2 | 381.1 | 21.4 | 456.0 | 26.1 | 534.3 | 31.3 | 609.1 | 36.6 |
| | 60 | 268.8 | 15.2 | 326.7 | 18.7 | 381.1 | 22.0 | 456.0 | 26.8 | 534.3 | 32.2 | 609.1 | 37.5 |
| | 65 | 268.8 | 15.6 | 326.7 | 19.2 | 381.1 | 22.6 | 456.0 | 27.6 | 534.3 | 33.1 | 609.1 | 38.6 |
| | 70 | 268.8 | 17.0 | 326.7 | 20.9 | 381.1 | 24.6 | 456.0 | 30.0 | 534.3 | 36.0 | 609.1 | 42.0 |
| | 75 | 268.8 | 18.6 | 326.7 | 22.9 | 381.1 | 27.0 | 456.0 | 32.9 | 534.3 | 39.5 | 609.1 | 46.1 |
| | 80 | 268.8 | 20.4 | 326.7 | 25.1 | 381.1 | 29.7 | 456.0 | 36.2 | 534.3 | 43.3 | 609.1 | 50.6 |
| | 85 | 268.8 | 22.4 | 326.7 | 27.6 | 381.1 | 32.6 | 456.0 | 39.7 | 534.3 | 47.5 | 609.1 | 55.5 |
| | 90 | 268.8 | 24.6 | 326.7 | 30.2 | 381.1 | 35.7 | 456.0 | 43.5 | 534.3 | 52.1 | 608.6 | 60.8 |
| | 95 | 268.8 | 26.8 | 326.7 | 33.0 | 381.1 | 39.0 | 456.0 | 47.5 | 534.3 | 56.9 | 602.2 | 65.7 |
| 100 | 268.8 | 29.2 | 326.7 | 35.9 | 381.1 | 42.4 | 456.0 | 51.6 | 534.3 | 61.8 | 593.2 | 70.3 | |
| 105 | 268.8 | 31.5 | 326.7 | 38.7 | 381.1 | 45.7 | 456.0 | 55.7 | 529.9 | 66.2 | 563.2 | 72.1 | |
| 110 | 268.8 | 33.7 | 326.7 | 41.4 | 381.1 | 48.9 | 456.0 | 59.7 | 511.8 | 68.4 | 521.6 | 71.4 | |
| 115 | 268.8 | 35.7 | 326.7 | 43.9 | 381.1 | 51.8 | 439.9 | 60.9 | 458.4 | 64.8 | 467.2 | 67.7 | |
| 118 | 268.8 | 36.7 | 326.7 | 45.1 | 373.2 | 52.1 | 406.7 | 57.8 | 418.8 | 60.9 | 426.8 | 63.6 | |
| 125 | 256.2 | 36.4 | 275.3 | 39.6 | 284.9 | 41.5 | 295.9 | 43.9 | 304.6 | 46.2 | 310.5 | 48.2 | |

NOTE - Power Input = Compressor + Outdoor Fan Motor.
MBH = 1000 BTUs per hour.

COOLING CAPACITY - THREE MODULE | VRB456H4

| Combination (%) | Outdoor Temperature °F (Dry Bulb) | Indoor Temperature - °F (Dry Bulb / Wet Bulb) | | | | | | | | | | | |
|-----------------|-----------------------------------|---|-------------|------------|-------------|------------|-------------|------------|-------------|------------|-------------|------------|-------------|
| | | 67 / 57 | | 71 / 60 | | 75 / 63 | | 80 / 67 | | 85 / 71 | | 90 / 75 | |
| | | Total Cap. | Power Input | Total Cap. | Power Input | Total Cap. | Power Input | Total Cap. | Power Input | Total Cap. | Power Input | Total Cap. | Power Input |
| | | MBH | kW | MBH | kW | MBH | kW | MBH | kW | MBH | kW | MBH | kW |
| 90% | -10 | 242.0 | 9.7 | 294.0 | 12.0 | 343.0 | 14.1 | 410.4 | 17.2 | 480.8 | 20.7 | 548.2 | 24.1 |
| | -5 | 242.0 | 10.4 | 294.0 | 12.7 | 343.0 | 15.0 | 410.4 | 18.3 | 480.8 | 21.9 | 548.2 | 25.6 |
| | 10 | 242.0 | 10.6 | 294.0 | 13.0 | 343.0 | 15.4 | 410.4 | 18.7 | 480.8 | 22.4 | 548.2 | 26.2 |
| | 15 | 242.0 | 10.8 | 294.0 | 13.3 | 343.0 | 15.7 | 410.4 | 19.1 | 480.8 | 22.9 | 548.2 | 26.8 |
| | 20 | 242.0 | 11.0 | 294.0 | 13.6 | 343.0 | 16.0 | 410.4 | 19.5 | 480.8 | 23.4 | 548.2 | 27.3 |
| | 25 | 242.0 | 11.3 | 294.0 | 13.9 | 343.0 | 16.4 | 410.4 | 20.0 | 480.8 | 24.0 | 548.2 | 28.0 |
| | 30 | 242.0 | 11.6 | 294.0 | 14.2 | 343.0 | 16.8 | 410.4 | 20.5 | 480.8 | 24.5 | 548.2 | 28.6 |
| | 35 | 242.0 | 11.8 | 294.0 | 14.6 | 343.0 | 17.2 | 410.4 | 21.0 | 480.8 | 25.1 | 548.2 | 29.3 |
| | 40 | 242.0 | 12.1 | 294.0 | 14.9 | 343.0 | 17.6 | 410.4 | 21.5 | 480.8 | 25.7 | 548.2 | 30.0 |
| | 45 | 242.0 | 12.4 | 294.0 | 15.3 | 343.0 | 18.1 | 410.4 | 22.0 | 480.8 | 26.4 | 548.2 | 30.8 |
| | 50 | 242.0 | 12.8 | 294.0 | 15.7 | 343.0 | 18.5 | 410.4 | 22.6 | 480.8 | 27.0 | 548.2 | 31.6 |
| | 55 | 242.0 | 13.1 | 294.0 | 16.1 | 343.0 | 19.0 | 410.4 | 23.2 | 480.8 | 27.8 | 548.2 | 32.4 |
| | 60 | 242.0 | 13.5 | 294.0 | 16.5 | 343.0 | 19.5 | 410.4 | 23.8 | 480.8 | 28.5 | 548.2 | 33.3 |
| | 65 | 242.0 | 13.8 | 294.0 | 17.0 | 343.0 | 20.1 | 410.4 | 24.5 | 480.8 | 29.3 | 548.2 | 34.2 |
| | 70 | 242.0 | 15.0 | 294.0 | 18.5 | 343.0 | 21.8 | 410.4 | 26.6 | 480.8 | 31.9 | 548.2 | 37.2 |
| | 75 | 242.0 | 16.5 | 294.0 | 20.3 | 343.0 | 24.0 | 410.4 | 29.2 | 480.8 | 35.0 | 548.2 | 40.9 |
| | 80 | 242.0 | 18.1 | 294.0 | 22.3 | 343.0 | 26.3 | 410.4 | 32.1 | 480.8 | 38.4 | 548.2 | 44.9 |
| | 85 | 242.0 | 19.9 | 294.0 | 24.5 | 343.0 | 28.9 | 410.4 | 35.2 | 480.8 | 42.2 | 548.2 | 49.2 |
| | 90 | 242.0 | 21.8 | 294.0 | 26.8 | 343.0 | 31.6 | 410.4 | 38.6 | 480.8 | 46.2 | 548.2 | 53.9 |
| | 95 | 242.0 | 23.8 | 294.0 | 29.3 | 343.0 | 34.6 | 410.4 | 42.1 | 480.8 | 50.4 | 548.2 | 58.9 |
| 100 | 242.0 | 25.9 | 294.0 | 31.8 | 343.0 | 37.6 | 410.4 | 45.8 | 480.8 | 54.8 | 548.2 | 64.0 | |
| 105 | 242.0 | 27.9 | 294.0 | 34.3 | 343.0 | 40.6 | 410.4 | 49.4 | 480.8 | 59.2 | 542.4 | 68.4 | |
| 110 | 242.0 | 29.9 | 294.0 | 36.8 | 343.0 | 43.4 | 410.4 | 52.9 | 480.4 | 63.3 | 521.6 | 70.4 | |
| 115 | 242.0 | 31.6 | 294.0 | 38.9 | 343.0 | 45.9 | 410.4 | 56.0 | 458.4 | 63.9 | 467.2 | 66.7 | |
| 118 | 242.0 | 32.5 | 294.0 | 40.0 | 343.0 | 47.2 | 396.8 | 55.6 | 418.8 | 60.0 | 426.8 | 62.6 | |
| 125 | 239.2 | 33.5 | 275.3 | 39.0 | 284.9 | 40.9 | 295.9 | 43.2 | 304.6 | 45.5 | 310.5 | 47.5 | |
| 80% | -10 | 215.1 | 8.5 | 261.3 | 10.5 | 304.9 | 12.4 | 364.8 | 15.1 | 427.4 | 18.1 | 487.3 | 21.1 |
| | -5 | 215.1 | 9.1 | 261.3 | 11.2 | 304.9 | 13.2 | 364.8 | 16.1 | 427.4 | 19.2 | 487.3 | 22.5 |
| | 10 | 215.1 | 9.3 | 261.3 | 11.4 | 304.9 | 13.5 | 364.8 | 16.4 | 427.4 | 19.6 | 487.3 | 22.9 |
| | 15 | 215.1 | 9.5 | 261.3 | 11.6 | 304.9 | 13.7 | 364.8 | 16.8 | 427.4 | 20.1 | 487.3 | 23.4 |
| | 20 | 215.1 | 9.7 | 261.3 | 11.9 | 304.9 | 14.0 | 364.8 | 17.1 | 427.4 | 20.5 | 487.3 | 23.9 |
| | 25 | 215.1 | 9.9 | 261.3 | 12.2 | 304.9 | 14.4 | 364.8 | 17.5 | 427.4 | 21.0 | 487.3 | 24.5 |
| | 30 | 215.1 | 10.1 | 261.3 | 12.5 | 304.9 | 14.7 | 364.8 | 17.9 | 427.4 | 21.5 | 487.3 | 25.1 |
| | 35 | 215.1 | 10.4 | 261.3 | 12.8 | 304.9 | 15.1 | 364.8 | 18.4 | 427.4 | 22.0 | 487.3 | 25.7 |
| | 40 | 215.1 | 10.6 | 261.3 | 13.1 | 304.9 | 15.4 | 364.8 | 18.8 | 427.4 | 22.5 | 487.3 | 26.3 |
| | 45 | 215.1 | 10.9 | 261.3 | 13.4 | 304.9 | 15.8 | 364.8 | 19.3 | 427.4 | 23.1 | 487.3 | 27.0 |
| | 50 | 215.1 | 11.2 | 261.3 | 13.7 | 304.9 | 16.2 | 364.8 | 19.8 | 427.4 | 23.7 | 487.3 | 27.7 |
| | 55 | 215.1 | 11.5 | 261.3 | 14.1 | 304.9 | 16.7 | 364.8 | 20.3 | 427.4 | 24.3 | 487.3 | 28.4 |
| | 60 | 215.1 | 11.8 | 261.3 | 14.5 | 304.9 | 17.1 | 364.8 | 20.8 | 427.4 | 25.0 | 487.3 | 29.2 |
| | 65 | 215.1 | 12.1 | 261.3 | 14.9 | 304.9 | 17.6 | 364.8 | 21.4 | 427.4 | 25.7 | 487.3 | 30.0 |
| | 70 | 215.1 | 13.2 | 261.3 | 16.2 | 304.9 | 19.1 | 364.8 | 23.3 | 427.4 | 27.9 | 487.3 | 32.6 |
| | 75 | 215.1 | 14.5 | 261.3 | 17.8 | 304.9 | 21.0 | 364.8 | 25.6 | 427.4 | 30.7 | 487.3 | 35.8 |
| | 80 | 215.1 | 15.9 | 261.3 | 19.5 | 304.9 | 23.0 | 364.8 | 28.1 | 427.4 | 33.7 | 487.3 | 39.3 |
| | 85 | 215.1 | 17.4 | 261.3 | 21.4 | 304.9 | 25.3 | 364.8 | 30.8 | 427.4 | 36.9 | 487.3 | 43.1 |
| | 90 | 215.1 | 19.1 | 261.3 | 23.5 | 304.9 | 27.7 | 364.8 | 33.8 | 427.4 | 40.5 | 487.3 | 47.2 |
| | 95 | 215.1 | 20.9 | 261.3 | 25.6 | 304.9 | 30.3 | 364.8 | 36.9 | 427.4 | 44.2 | 487.3 | 51.6 |
| 100 | 215.1 | 22.7 | 261.3 | 27.9 | 304.9 | 32.9 | 364.8 | 40.1 | 427.4 | 48.0 | 487.3 | 56.1 | |
| 105 | 215.1 | 24.5 | 261.3 | 30.1 | 304.9 | 35.5 | 364.8 | 43.3 | 427.4 | 51.9 | 487.3 | 60.6 | |
| 110 | 215.1 | 26.2 | 261.3 | 32.2 | 304.9 | 38.0 | 364.8 | 46.3 | 427.4 | 55.5 | 487.3 | 64.8 | |
| 115 | 215.1 | 27.7 | 261.3 | 34.1 | 304.9 | 40.2 | 364.8 | 49.0 | 426.4 | 58.6 | 467.2 | 65.7 | |
| 118 | 215.1 | 28.5 | 261.3 | 35.0 | 304.9 | 41.4 | 364.8 | 50.4 | 411.6 | 58.1 | 426.8 | 61.7 | |
| 125 | 215.1 | 29.7 | 255.3 | 35.7 | 284.9 | 40.3 | 295.9 | 42.6 | 304.6 | 44.9 | 310.5 | 46.8 | |

NOTE - Power Input = Compressor + Outdoor Fan Motor.
MBH = 1000 BTUs per hour.

COOLING CAPACITY - THREE MODULE | VRB456H4

| Combination (%) | Outdoor Temperature °F (Dry Bulb) | Indoor Temperature - °F (Dry Bulb / Wet Bulb) | | | | | | | | | | | |
|-----------------|-----------------------------------|---|-------------|------------|-------------|------------|-------------|------------|-------------|------------|-------------|------------|-------------|
| | | 67 / 57 | | 71 / 60 | | 75 / 63 | | 80 / 67 | | 85 / 71 | | 90 / 75 | |
| | | Total Cap. | Power Input | Total Cap. | Power Input | Total Cap. | Power Input | Total Cap. | Power Input | Total Cap. | Power Input | Total Cap. | Power Input |
| | | MBH | KW | MBH | KW | MBH | KW | MBH | KW | MBH | KW | MBH | KW |
| 70% | -10 | 188.2 | 7.4 | 228.7 | 9.1 | 266.8 | 10.7 | 319.2 | 13.0 | 374.0 | 15.6 | 426.4 | 18.2 |
| | -5 | 188.2 | 7.8 | 228.7 | 9.6 | 266.8 | 11.4 | 319.2 | 13.8 | 374.0 | 16.6 | 426.4 | 19.4 |
| | 10 | 188.2 | 8.0 | 228.7 | 9.8 | 266.8 | 11.6 | 319.2 | 14.1 | 374.0 | 16.9 | 426.4 | 19.8 |
| | 15 | 188.2 | 8.2 | 228.7 | 10.0 | 266.8 | 11.9 | 319.2 | 14.5 | 374.0 | 17.3 | 426.4 | 20.2 |
| | 20 | 188.2 | 8.3 | 228.7 | 10.3 | 266.8 | 12.1 | 319.2 | 14.8 | 374.0 | 17.7 | 426.4 | 20.7 |
| | 25 | 188.2 | 8.5 | 228.7 | 10.5 | 266.8 | 12.4 | 319.2 | 15.1 | 374.0 | 18.1 | 426.4 | 21.1 |
| | 30 | 188.2 | 8.7 | 228.7 | 10.7 | 266.8 | 12.7 | 319.2 | 15.5 | 374.0 | 18.5 | 426.4 | 21.6 |
| | 35 | 188.2 | 8.9 | 228.7 | 11.0 | 266.8 | 13.0 | 319.2 | 15.8 | 374.0 | 19.0 | 426.4 | 22.1 |
| | 40 | 188.2 | 9.2 | 228.7 | 11.3 | 266.8 | 13.3 | 319.2 | 16.2 | 374.0 | 19.4 | 426.4 | 22.7 |
| | 45 | 188.2 | 9.4 | 228.7 | 11.6 | 266.8 | 13.6 | 319.2 | 16.6 | 374.0 | 19.9 | 426.4 | 23.3 |
| | 50 | 188.2 | 9.6 | 228.7 | 11.8 | 266.8 | 14.0 | 319.2 | 17.1 | 374.0 | 20.4 | 426.4 | 23.9 |
| | 55 | 188.2 | 9.9 | 228.7 | 12.2 | 266.8 | 14.4 | 319.2 | 17.5 | 374.0 | 21.0 | 426.4 | 24.5 |
| | 60 | 188.2 | 10.2 | 228.7 | 12.5 | 266.8 | 14.8 | 319.2 | 18.0 | 374.0 | 21.5 | 426.4 | 25.1 |
| | 65 | 188.2 | 10.4 | 228.7 | 12.8 | 266.8 | 15.2 | 319.2 | 18.5 | 374.0 | 22.1 | 426.4 | 25.9 |
| | 70 | 188.2 | 11.4 | 228.7 | 14.0 | 266.8 | 16.5 | 319.2 | 20.1 | 374.0 | 24.1 | 426.4 | 28.1 |
| | 75 | 188.2 | 12.5 | 228.7 | 15.3 | 266.8 | 18.1 | 319.2 | 22.1 | 374.0 | 26.4 | 426.4 | 30.9 |
| | 80 | 188.2 | 13.7 | 228.7 | 16.8 | 266.8 | 19.9 | 319.2 | 24.2 | 374.0 | 29.0 | 426.4 | 33.9 |
| | 85 | 188.2 | 15.0 | 228.7 | 18.5 | 266.8 | 21.8 | 319.2 | 26.6 | 374.0 | 31.8 | 426.4 | 37.2 |
| | 90 | 188.2 | 16.5 | 228.7 | 20.2 | 266.8 | 23.9 | 319.2 | 29.1 | 374.0 | 34.9 | 426.4 | 40.7 |
| | 95 | 188.2 | 18.0 | 228.7 | 22.1 | 266.8 | 26.1 | 319.2 | 31.8 | 374.0 | 38.1 | 426.4 | 44.5 |
| | 100 | 188.2 | 19.6 | 228.7 | 24.0 | 266.8 | 28.4 | 319.2 | 34.6 | 374.0 | 41.4 | 426.4 | 48.4 |
| 105 | 188.2 | 21.1 | 228.7 | 25.9 | 266.8 | 30.6 | 319.2 | 37.3 | 374.0 | 44.7 | 426.4 | 52.2 | |
| 110 | 188.2 | 22.6 | 228.7 | 27.8 | 266.8 | 32.8 | 319.2 | 40.0 | 374.0 | 47.9 | 426.4 | 55.9 | |
| 115 | 188.2 | 23.9 | 228.7 | 29.4 | 266.8 | 34.7 | 319.2 | 42.3 | 374.0 | 50.6 | 426.4 | 59.1 | |
| 118 | 188.2 | 24.6 | 228.7 | 30.2 | 266.8 | 35.7 | 319.2 | 43.5 | 374.0 | 52.1 | 413.7 | 59.0 | |
| 125 | 188.2 | 25.6 | 228.7 | 31.5 | 261.8 | 36.5 | 295.9 | 42.0 | 304.6 | 44.2 | 310.5 | 46.1 | |
| 60% | -10 | 161.3 | 6.2 | 196.0 | 7.6 | 228.7 | 9.0 | 273.6 | 11.0 | 320.6 | 13.2 | 365.5 | 15.4 |
| | -5 | 161.3 | 6.6 | 196.0 | 8.1 | 228.7 | 9.6 | 273.6 | 11.7 | 320.6 | 14.0 | 365.5 | 16.4 |
| | 10 | 161.3 | 6.8 | 196.0 | 8.3 | 228.7 | 9.8 | 273.6 | 11.9 | 320.6 | 14.3 | 365.5 | 16.7 |
| | 15 | 161.3 | 6.9 | 196.0 | 8.5 | 228.7 | 10.0 | 273.6 | 12.2 | 320.6 | 14.6 | 365.5 | 17.1 |
| | 20 | 161.3 | 7.1 | 196.0 | 8.7 | 228.7 | 10.2 | 273.6 | 12.5 | 320.6 | 14.9 | 365.5 | 17.5 |
| | 25 | 161.3 | 7.2 | 196.0 | 8.9 | 228.7 | 10.5 | 273.6 | 12.8 | 320.6 | 15.3 | 365.5 | 17.9 |
| | 30 | 161.3 | 7.4 | 196.0 | 9.1 | 228.7 | 10.7 | 273.6 | 13.1 | 320.6 | 15.6 | 365.5 | 18.3 |
| | 35 | 161.3 | 7.6 | 196.0 | 9.3 | 228.7 | 11.0 | 273.6 | 13.4 | 320.6 | 16.0 | 365.5 | 18.7 |
| | 40 | 161.3 | 7.7 | 196.0 | 9.5 | 228.7 | 11.2 | 273.6 | 13.7 | 320.6 | 16.4 | 365.5 | 19.2 |
| | 45 | 161.3 | 7.9 | 196.0 | 9.8 | 228.7 | 11.5 | 273.6 | 14.0 | 320.6 | 16.8 | 365.5 | 19.7 |
| | 50 | 161.3 | 8.1 | 196.0 | 10.0 | 228.7 | 11.8 | 273.6 | 14.4 | 320.6 | 17.3 | 365.5 | 20.2 |
| | 55 | 161.3 | 8.4 | 196.0 | 10.3 | 228.7 | 12.1 | 273.6 | 14.8 | 320.6 | 17.7 | 365.5 | 20.7 |
| | 60 | 161.3 | 8.6 | 196.0 | 10.6 | 228.7 | 12.5 | 273.6 | 15.2 | 320.6 | 18.2 | 365.5 | 21.3 |
| | 65 | 161.3 | 8.8 | 196.0 | 10.9 | 228.7 | 12.8 | 273.6 | 15.6 | 320.6 | 18.7 | 365.5 | 21.8 |
| | 70 | 161.3 | 9.6 | 196.0 | 11.8 | 228.7 | 13.9 | 273.6 | 17.0 | 320.6 | 20.4 | 365.5 | 23.8 |
| | 75 | 161.3 | 10.5 | 196.0 | 13.0 | 228.7 | 15.3 | 273.6 | 18.6 | 320.6 | 22.3 | 365.5 | 26.1 |
| | 80 | 161.3 | 11.6 | 196.0 | 14.2 | 228.7 | 16.8 | 273.6 | 20.5 | 320.6 | 24.5 | 365.5 | 28.6 |
| | 85 | 161.3 | 12.7 | 196.0 | 15.6 | 228.7 | 18.4 | 273.6 | 22.5 | 320.6 | 26.9 | 365.5 | 31.4 |
| | 90 | 161.3 | 13.9 | 196.0 | 17.1 | 228.7 | 20.2 | 273.6 | 24.6 | 320.6 | 29.5 | 365.5 | 34.4 |
| | 95 | 161.3 | 15.2 | 196.0 | 18.7 | 228.7 | 22.1 | 273.6 | 26.9 | 320.6 | 32.2 | 365.5 | 37.6 |
| | 100 | 161.3 | 16.5 | 196.0 | 20.3 | 228.7 | 24.0 | 273.6 | 29.2 | 320.6 | 35.0 | 365.5 | 40.9 |
| 105 | 161.3 | 17.8 | 196.0 | 21.9 | 228.7 | 25.9 | 273.6 | 31.6 | 320.6 | 37.8 | 365.5 | 44.1 | |
| 110 | 161.3 | 19.1 | 196.0 | 23.5 | 228.7 | 27.7 | 273.6 | 33.8 | 320.6 | 40.4 | 365.5 | 47.2 | |
| 115 | 161.3 | 20.2 | 196.0 | 24.8 | 228.7 | 29.3 | 273.6 | 35.7 | 320.6 | 42.8 | 365.5 | 50.0 | |
| 118 | 161.3 | 20.8 | 196.0 | 25.5 | 228.7 | 30.1 | 273.6 | 36.7 | 320.6 | 44.0 | 365.5 | 51.4 | |
| 125 | 161.3 | 21.7 | 196.0 | 26.6 | 228.7 | 31.4 | 269.7 | 37.8 | 302.3 | 43.2 | 310.5 | 45.5 | |

NOTE - Power Input = Compressor + Outdoor Fan Motor.
MBH = 1000 BTUs per hour.

COOLING CAPACITY - THREE MODULE | VRB456H4

| Combination (%) | Outdoor Temperature °F (Dry Bulb) | Indoor Temperature - °F (Dry Bulb / Wet Bulb) | | | | | | | | | | | |
|-----------------|-----------------------------------|---|-------------|------------|-------------|------------|-------------|------------|-------------|------------|-------------|------------|-------------|
| | | 67 / 57 | | 71 / 60 | | 75 / 63 | | 80 / 67 | | 85 / 71 | | 90 / 75 | |
| | | Total Cap. | Power Input | Total Cap. | Power Input | Total Cap. | Power Input | Total Cap. | Power Input | Total Cap. | Power Input | Total Cap. | Power Input |
| | | MBH | kW | MBH | kW | MBH | kW | MBH | kW | MBH | kW | MBH | kW |
| 50% | -10 | 132.6 | 5.0 | 163.3 | 6.3 | 190.6 | 7.4 | 228.0 | 9.0 | 267.1 | 10.8 | 304.6 | 12.7 |
| | -5 | 134.4 | 5.4 | 163.3 | 6.7 | 190.6 | 7.9 | 228.0 | 9.6 | 267.1 | 11.5 | 304.6 | 13.4 |
| | 10 | 134.4 | 5.6 | 163.3 | 6.8 | 190.6 | 8.1 | 228.0 | 9.8 | 267.1 | 11.8 | 304.6 | 13.7 |
| | 15 | 134.4 | 5.7 | 163.3 | 7.0 | 190.6 | 8.2 | 228.0 | 10.0 | 267.1 | 12.0 | 304.6 | 14.0 |
| | 20 | 134.4 | 5.8 | 163.3 | 7.1 | 190.6 | 8.4 | 228.0 | 10.3 | 267.1 | 12.3 | 304.6 | 14.3 |
| | 25 | 134.4 | 5.9 | 163.3 | 7.3 | 190.6 | 8.6 | 228.0 | 10.5 | 267.1 | 12.6 | 304.6 | 14.7 |
| | 30 | 134.4 | 6.1 | 163.3 | 7.5 | 190.6 | 8.8 | 228.0 | 10.7 | 267.1 | 12.9 | 304.6 | 15.0 |
| | 35 | 134.4 | 6.2 | 163.3 | 7.6 | 190.6 | 9.0 | 228.0 | 11.0 | 267.1 | 13.2 | 304.6 | 15.4 |
| | 40 | 134.4 | 6.4 | 163.3 | 7.8 | 190.6 | 9.2 | 228.0 | 11.3 | 267.1 | 13.5 | 304.6 | 15.8 |
| | 45 | 134.4 | 6.5 | 163.3 | 8.0 | 190.6 | 9.5 | 228.0 | 11.5 | 267.1 | 13.8 | 304.6 | 16.1 |
| | 50 | 134.4 | 6.7 | 163.3 | 8.2 | 190.6 | 9.7 | 228.0 | 11.8 | 267.1 | 14.2 | 304.6 | 16.6 |
| | 55 | 134.4 | 6.9 | 163.3 | 8.4 | 190.6 | 10.0 | 228.0 | 12.2 | 267.1 | 14.6 | 304.6 | 17.0 |
| | 60 | 134.4 | 7.1 | 163.3 | 8.7 | 190.6 | 10.2 | 228.0 | 12.5 | 267.1 | 15.0 | 304.6 | 17.5 |
| | 65 | 134.4 | 7.3 | 163.3 | 8.9 | 190.6 | 10.5 | 228.0 | 12.8 | 267.1 | 15.4 | 304.6 | 18.0 |
| | 70 | 134.4 | 7.9 | 163.3 | 9.7 | 190.6 | 11.5 | 228.0 | 14.0 | 267.1 | 16.7 | 304.6 | 19.5 |
| | 75 | 134.4 | 8.7 | 163.3 | 10.6 | 190.6 | 12.6 | 228.0 | 15.3 | 267.1 | 18.4 | 304.6 | 21.4 |
| | 80 | 134.4 | 9.5 | 163.3 | 11.7 | 190.6 | 13.8 | 228.0 | 16.8 | 267.1 | 20.2 | 304.6 | 23.5 |
| | 85 | 134.4 | 10.4 | 163.3 | 12.8 | 190.6 | 15.1 | 228.0 | 18.5 | 267.1 | 22.1 | 304.6 | 25.8 |
| | 90 | 134.4 | 11.4 | 163.3 | 14.1 | 190.6 | 16.6 | 228.0 | 20.2 | 267.1 | 24.2 | 304.6 | 28.3 |
| | 95 | 134.4 | 12.5 | 163.3 | 15.3 | 190.6 | 18.1 | 228.0 | 22.1 | 267.1 | 26.5 | 304.6 | 30.9 |
| 100 | 134.4 | 13.6 | 163.3 | 16.7 | 190.6 | 19.7 | 228.0 | 24.0 | 267.1 | 28.8 | 304.6 | 33.6 | |
| 105 | 134.4 | 14.7 | 163.3 | 18.0 | 190.6 | 21.3 | 228.0 | 25.9 | 267.1 | 31.1 | 304.6 | 36.3 | |
| 110 | 134.4 | 15.7 | 163.3 | 19.3 | 190.6 | 22.8 | 228.0 | 27.7 | 267.1 | 33.2 | 304.6 | 38.8 | |
| 115 | 134.4 | 16.6 | 163.3 | 20.4 | 190.6 | 24.1 | 228.0 | 29.4 | 267.1 | 35.2 | 304.6 | 41.1 | |
| 118 | 134.4 | 17.1 | 163.3 | 21.0 | 190.6 | 24.8 | 228.0 | 30.2 | 267.1 | 36.2 | 304.6 | 42.2 | |
| 125 | 134.4 | 17.8 | 163.3 | 21.9 | 190.6 | 25.8 | 228.0 | 31.5 | 267.1 | 37.7 | 294.1 | 42.5 | |

NOTE - Power Input = Compressor + Outdoor Fan Motor.
 MBH = 1000 BTUs per hour.

COOLING CAPACITY - THREE MODULE | VRB480H4

| Combination (%) | Outdoor Temperature °F (Dry Bulb) | Indoor Temperature - °F (Dry Bulb / Wet Bulb) | | | | | | | | | | | |
|-----------------|-----------------------------------|---|-------------|------------|-------------|------------|-------------|------------|-------------|------------|-------------|------------|-------------|
| | | 67 / 57 | | 71 / 60 | | 75 / 63 | | 80 / 67 | | 85 / 71 | | 90 / 75 | |
| | | Total Cap. | Power Input | Total Cap. | Power Input | Total Cap. | Power Input | Total Cap. | Power Input | Total Cap. | Power Input | Total Cap. | Power Input |
| | | MBH | kW | MBH | kW | MBH | kW | MBH | kW | MBH | kW | MBH | kW |
| 130% | -10 | 367.9 | 15.9 | 447.0 | 19.5 | 521.6 | 23.0 | 624.0 | 28.1 | 731.1 | 33.6 | 833.6 | 39.2 |
| | -5 | 367.9 | 16.9 | 447.0 | 20.7 | 521.6 | 24.5 | 624.0 | 29.8 | 731.1 | 35.7 | 807.1 | 40.4 |
| | 10 | 367.9 | 17.2 | 447.0 | 21.2 | 521.6 | 25.0 | 624.0 | 30.5 | 731.1 | 36.5 | 797.6 | 40.8 |
| | 15 | 367.9 | 17.6 | 447.0 | 21.6 | 521.6 | 25.5 | 624.0 | 31.1 | 731.1 | 37.3 | 782.7 | 40.9 |
| | 20 | 367.9 | 18.0 | 447.0 | 22.1 | 521.6 | 26.1 | 624.0 | 31.8 | 731.1 | 38.1 | 767.3 | 40.9 |
| | 25 | 367.9 | 18.4 | 447.0 | 22.6 | 521.6 | 26.7 | 624.0 | 32.5 | 731.1 | 39.0 | 751.0 | 41.0 |
| | 30 | 367.9 | 18.8 | 447.0 | 23.1 | 521.6 | 27.3 | 624.0 | 33.3 | 718.3 | 39.2 | 735.4 | 41.1 |
| | 35 | 367.9 | 19.3 | 447.0 | 23.7 | 521.6 | 28.0 | 624.0 | 34.1 | 708.9 | 39.6 | 720.7 | 41.2 |
| | 40 | 367.9 | 19.7 | 447.0 | 24.3 | 521.6 | 28.7 | 624.0 | 34.9 | 703.7 | 40.3 | 712.2 | 41.7 |
| | 45 | 367.9 | 20.2 | 447.0 | 24.9 | 521.6 | 29.4 | 624.0 | 35.8 | 703.0 | 41.2 | 710.2 | 42.7 |
| | 50 | 367.9 | 20.8 | 447.0 | 25.5 | 521.6 | 30.1 | 624.0 | 36.7 | 699.9 | 42.1 | 709.5 | 43.7 |
| | 55 | 367.9 | 21.3 | 447.0 | 26.2 | 521.6 | 30.9 | 624.0 | 37.7 | 700.1 | 43.2 | 709.7 | 44.9 |
| | 60 | 367.9 | 21.9 | 447.0 | 26.9 | 521.6 | 31.8 | 624.0 | 38.7 | 703.3 | 44.6 | 710.7 | 46.2 |
| | 65 | 367.9 | 22.5 | 447.0 | 27.7 | 521.6 | 32.7 | 624.0 | 39.8 | 698.4 | 45.5 | 711.8 | 47.5 |
| | 70 | 367.9 | 24.5 | 447.0 | 30.1 | 521.6 | 35.5 | 624.0 | 43.3 | 698.9 | 49.6 | 712.4 | 51.8 |
| | 75 | 367.9 | 26.9 | 447.0 | 33.0 | 521.6 | 39.0 | 624.0 | 47.5 | 698.2 | 54.4 | 711.6 | 56.7 |
| | 80 | 367.9 | 29.5 | 447.0 | 36.3 | 521.6 | 42.8 | 624.0 | 52.2 | 695.1 | 59.4 | 708.4 | 62.0 |
| | 85 | 367.9 | 32.4 | 447.0 | 39.8 | 521.6 | 47.0 | 624.0 | 57.3 | 688.5 | 64.6 | 701.7 | 67.4 |
| | 90 | 367.9 | 35.5 | 447.0 | 43.6 | 521.6 | 51.5 | 624.0 | 62.7 | 677.2 | 69.6 | 690.2 | 72.6 |
| | 95 | 367.9 | 38.7 | 447.0 | 47.6 | 521.6 | 56.2 | 608.8 | 66.8 | 624.6 | 70.1 | 634.2 | 72.9 |
| 100 | 367.9 | 42.1 | 447.0 | 51.8 | 521.6 | 61.1 | 589.5 | 70.4 | 598.2 | 73.0 | 609.7 | 76.2 | |
| 105 | 367.9 | 45.5 | 447.0 | 55.9 | 521.6 | 66.0 | 548.7 | 70.7 | 565.0 | 74.4 | 575.9 | 77.7 | |
| 110 | 367.9 | 48.7 | 447.0 | 59.8 | 486.9 | 65.9 | 505.9 | 69.8 | 520.9 | 73.4 | 530.9 | 76.6 | |
| 115 | 367.9 | 51.5 | 416.9 | 59.0 | 433.7 | 62.1 | 450.5 | 65.7 | 463.8 | 69.2 | 472.7 | 72.2 | |
| 118 | 355.7 | 51.2 | 381.3 | 55.5 | 394.5 | 58.1 | 409.7 | 61.4 | 421.9 | 64.7 | 430.0 | 67.5 | |
| 125 | 261.5 | 39.2 | 273.0 | 41.4 | 282.5 | 43.4 | 293.3 | 45.9 | 302.1 | 48.3 | 307.9 | 50.4 | |
| 120% | -10 | 339.6 | 14.4 | 412.7 | 17.7 | 481.4 | 20.9 | 576.0 | 25.5 | 674.9 | 30.5 | 769.4 | 35.7 |
| | -5 | 339.6 | 15.3 | 412.7 | 18.8 | 481.4 | 22.2 | 576.0 | 27.1 | 674.9 | 32.5 | 769.4 | 37.9 |
| | 10 | 339.6 | 15.6 | 412.7 | 19.2 | 481.4 | 22.7 | 576.0 | 27.7 | 674.9 | 33.2 | 769.0 | 38.7 |
| | 15 | 339.6 | 16.0 | 412.7 | 19.7 | 481.4 | 23.2 | 576.0 | 28.3 | 674.9 | 33.9 | 758.6 | 39.0 |
| | 20 | 339.6 | 16.3 | 412.7 | 20.1 | 481.4 | 23.7 | 576.0 | 28.9 | 674.9 | 34.6 | 748.2 | 39.3 |
| | 25 | 339.6 | 16.7 | 412.7 | 20.5 | 481.4 | 24.3 | 576.0 | 29.6 | 674.9 | 35.4 | 737.5 | 39.6 |
| | 30 | 339.6 | 17.1 | 412.7 | 21.0 | 481.4 | 24.8 | 576.0 | 30.3 | 674.9 | 36.3 | 722.1 | 39.7 |
| | 35 | 339.6 | 17.5 | 412.7 | 21.5 | 481.4 | 25.4 | 576.0 | 31.0 | 674.9 | 37.1 | 707.5 | 39.8 |
| | 40 | 339.6 | 17.9 | 412.7 | 22.1 | 481.4 | 26.0 | 576.0 | 31.7 | 674.9 | 38.0 | 698.7 | 40.3 |
| | 45 | 339.6 | 18.4 | 412.7 | 22.6 | 481.4 | 26.7 | 576.0 | 32.5 | 674.9 | 39.0 | 696.8 | 41.2 |
| | 50 | 339.6 | 18.9 | 412.7 | 23.2 | 481.4 | 27.4 | 576.0 | 33.4 | 674.9 | 40.0 | 696.1 | 42.2 |
| | 55 | 339.6 | 19.4 | 412.7 | 23.8 | 481.4 | 28.1 | 576.0 | 34.3 | 674.9 | 41.0 | 696.4 | 43.4 |
| | 60 | 339.6 | 19.9 | 412.7 | 24.5 | 481.4 | 28.9 | 576.0 | 35.2 | 674.9 | 42.2 | 697.3 | 44.6 |
| | 65 | 339.6 | 20.5 | 412.7 | 25.1 | 481.4 | 29.7 | 576.0 | 36.2 | 674.9 | 43.3 | 698.3 | 45.9 |
| | 70 | 339.6 | 22.2 | 412.7 | 27.3 | 481.4 | 32.3 | 576.0 | 39.4 | 674.9 | 47.1 | 698.9 | 50.0 |
| | 75 | 339.6 | 24.4 | 412.7 | 30.0 | 481.4 | 35.4 | 576.0 | 43.2 | 674.9 | 51.7 | 698.1 | 54.8 |
| | 80 | 339.6 | 26.8 | 412.7 | 33.0 | 481.4 | 38.9 | 576.0 | 47.4 | 673.3 | 56.7 | 695.0 | 59.9 |
| | 85 | 339.6 | 29.4 | 412.7 | 36.2 | 481.4 | 42.7 | 576.0 | 52.1 | 668.0 | 61.7 | 688.5 | 65.1 |
| | 90 | 339.6 | 32.2 | 412.7 | 39.6 | 481.4 | 46.8 | 576.0 | 57.0 | 659.4 | 66.7 | 677.1 | 70.2 |
| | 95 | 339.6 | 35.2 | 412.7 | 43.3 | 481.4 | 51.1 | 576.0 | 62.3 | 624.6 | 69.0 | 634.2 | 71.8 |
| 100 | 339.6 | 38.3 | 412.7 | 47.0 | 481.4 | 55.5 | 576.0 | 67.7 | 598.2 | 71.9 | 609.7 | 75.0 | |
| 105 | 339.6 | 41.3 | 412.7 | 50.8 | 481.4 | 60.0 | 546.7 | 69.4 | 565.0 | 73.3 | 575.9 | 76.5 | |
| 110 | 339.6 | 44.2 | 412.7 | 54.4 | 474.9 | 63.3 | 505.9 | 68.7 | 520.9 | 72.3 | 530.9 | 75.5 | |
| 115 | 339.6 | 46.8 | 406.6 | 56.7 | 433.7 | 61.1 | 450.5 | 64.7 | 463.8 | 68.1 | 472.7 | 71.1 | |
| 118 | 339.6 | 48.1 | 379.9 | 54.4 | 394.5 | 57.2 | 409.7 | 60.5 | 421.9 | 63.7 | 430.0 | 66.5 | |
| 125 | 261.5 | 38.6 | 273.0 | 40.8 | 282.5 | 42.7 | 293.3 | 45.2 | 302.1 | 47.6 | 307.9 | 49.6 | |

NOTE - Power Input = Compressor + Outdoor Fan Motor.
MBH = 1000 BTUs per hour.

COOLING CAPACITY - THREE MODULE | VRB480H4

| Combination (%) | Outdoor Temperature °F (Dry Bulb) | Indoor Temperature - °F (Dry Bulb / Wet Bulb) | | | | | | | | | | | |
|-----------------|-----------------------------------|---|-------------|------------|-------------|------------|-------------|--------------|-------------|------------|-------------|------------|-------------|
| | | 67 / 57 | | 71 / 60 | | 75 / 63 | | 80 / 67 | | 85 / 71 | | 90 / 75 | |
| | | Total Cap. | Power Input | Total Cap. | Power Input | Total Cap. | Power Input | Total Cap. | Power Input | Total Cap. | Power Input | Total Cap. | Power Input |
| | | MBH | KW | MBH | KW | MBH | KW | MBH | KW | MBH | KW | MBH | KW |
| 110% | -10 | 311.3 | 13.0 | 378.3 | 16.0 | 441.3 | 18.9 | 528.0 | 23.0 | 618.6 | 27.6 | 705.3 | 32.2 |
| | -5 | 311.3 | 13.8 | 378.3 | 17.0 | 441.3 | 20.1 | 528.0 | 24.5 | 618.6 | 29.3 | 705.3 | 34.2 |
| | 10 | 311.3 | 14.1 | 378.3 | 17.4 | 441.3 | 20.5 | 528.0 | 25.0 | 618.6 | 29.9 | 705.3 | 35.0 |
| | 15 | 311.3 | 14.4 | 378.3 | 17.7 | 441.3 | 21.0 | 528.0 | 25.5 | 618.6 | 30.6 | 705.3 | 35.7 |
| | 20 | 311.3 | 14.8 | 378.3 | 18.1 | 441.3 | 21.4 | 528.0 | 26.1 | 618.6 | 31.3 | 705.3 | 36.5 |
| | 25 | 311.3 | 15.1 | 378.3 | 18.5 | 441.3 | 21.9 | 528.0 | 26.7 | 618.6 | 32.0 | 705.3 | 37.3 |
| | 30 | 311.3 | 15.4 | 378.3 | 19.0 | 441.3 | 22.4 | 528.0 | 27.3 | 618.6 | 32.7 | 699.1 | 37.9 |
| | 35 | 311.3 | 15.8 | 378.3 | 19.4 | 441.3 | 23.0 | 528.0 | 28.0 | 618.6 | 33.5 | 689.7 | 38.3 |
| | 40 | 311.3 | 16.2 | 378.3 | 19.9 | 441.3 | 23.5 | 528.0 | 28.7 | 618.6 | 34.3 | 684.2 | 38.9 |
| | 45 | 311.3 | 16.6 | 378.3 | 20.4 | 441.3 | 24.1 | 528.0 | 29.4 | 618.6 | 35.2 | 683.4 | 39.8 |
| | 50 | 311.3 | 17.0 | 378.3 | 20.9 | 441.3 | 24.7 | 528.0 | 30.1 | 618.6 | 36.1 | 682.7 | 40.8 |
| | 55 | 311.3 | 17.5 | 378.3 | 21.5 | 441.3 | 25.4 | 528.0 | 30.9 | 618.6 | 37.1 | 683.0 | 41.9 |
| | 60 | 311.3 | 18.0 | 378.3 | 22.1 | 441.3 | 26.1 | 528.0 | 31.8 | 618.6 | 38.1 | 683.9 | 43.1 |
| | 65 | 311.3 | 18.5 | 378.3 | 22.7 | 441.3 | 26.8 | 528.0 | 32.7 | 618.6 | 39.1 | 684.9 | 44.4 |
| | 70 | 311.3 | 20.1 | 378.3 | 24.7 | 441.3 | 29.1 | 528.0 | 35.5 | 618.6 | 42.6 | 685.5 | 48.3 |
| | 75 | 311.3 | 22.0 | 378.3 | 27.1 | 441.3 | 32.0 | 528.0 | 39.0 | 618.6 | 46.7 | 684.7 | 52.9 |
| | 80 | 311.3 | 24.2 | 378.3 | 29.8 | 441.3 | 35.1 | 528.0 | 42.8 | 618.6 | 51.3 | 681.7 | 57.9 |
| | 85 | 311.3 | 26.6 | 378.3 | 32.6 | 441.3 | 38.5 | 528.0 | 47.0 | 618.6 | 56.3 | 675.2 | 62.9 |
| | 90 | 311.3 | 29.1 | 378.3 | 35.8 | 441.3 | 42.2 | 528.0 | 51.5 | 618.6 | 61.7 | 664.1 | 67.8 |
| | 95 | 311.3 | 31.8 | 378.3 | 39.1 | 441.3 | 46.1 | 528.0 | 56.2 | 618.6 | 67.3 | 634.2 | 70.7 |
| | 100 | 311.3 | 34.5 | 378.3 | 42.5 | 441.3 | 50.1 | 528.0 | 61.1 | 594.6 | 70.4 | 609.7 | 73.9 |
| 105 | 311.3 | 37.3 | 378.3 | 45.9 | 441.3 | 54.1 | 528.0 | 66.0 | 565.0 | 72.2 | 575.9 | 75.3 | |
| 110 | 311.3 | 39.9 | 378.3 | 49.1 | 441.3 | 57.9 | 501.6 | 67.1 | 520.9 | 71.2 | 530.9 | 74.3 | |
| 115 | 311.3 | 42.2 | 378.3 | 51.9 | 425.0 | 59.0 | 450.5 | 63.7 | 463.8 | 67.1 | 472.7 | 70.0 | |
| 118 | 311.3 | 43.4 | 369.6 | 52.1 | 394.5 | 56.3 | 409.7 | 59.6 | 421.9 | 62.7 | 430.0 | 65.5 | |
| 125 | 261.5 | 38.0 | 273.0 | 40.1 | 282.5 | 42.0 | 293.3 | 44.5 | 302.1 | 46.8 | 307.9 | 48.9 | |
| 100% | -10 | 283.0 | 11.7 | 343.9 | 14.3 | 401.2 | 16.9 | 480.0 | 20.6 | 562.4 | 24.7 | 641.2 | 28.8 |
| | -5 | 283.0 | 12.4 | 343.9 | 15.2 | 401.2 | 18.0 | 480.0 | 21.9 | 562.4 | 26.2 | 641.2 | 30.6 |
| | 10 | 283.0 | 12.6 | 343.9 | 15.5 | 401.2 | 18.4 | 480.0 | 22.4 | 562.4 | 26.8 | 641.2 | 31.3 |
| | 15 | 283.0 | 12.9 | 343.9 | 15.9 | 401.2 | 18.8 | 480.0 | 22.9 | 562.4 | 27.4 | 641.2 | 32.0 |
| | 20 | 283.0 | 13.2 | 343.9 | 16.2 | 401.2 | 19.2 | 480.0 | 23.4 | 562.4 | 28.0 | 641.2 | 32.7 |
| | 25 | 283.0 | 13.5 | 343.9 | 16.6 | 401.2 | 19.6 | 480.0 | 23.9 | 562.4 | 28.6 | 641.2 | 33.4 |
| | 30 | 283.0 | 13.8 | 343.9 | 17.0 | 401.2 | 20.1 | 480.0 | 24.5 | 562.4 | 29.3 | 641.2 | 34.2 |
| | 35 | 283.0 | 14.2 | 343.9 | 17.4 | 401.2 | 20.6 | 480.0 | 25.0 | 562.4 | 30.0 | 641.2 | 35.0 |
| | 40 | 283.0 | 14.5 | 343.9 | 17.8 | 401.2 | 21.1 | 480.0 | 25.7 | 562.4 | 30.7 | 641.2 | 35.9 |
| | 45 | 283.0 | 14.9 | 343.9 | 18.3 | 401.2 | 21.6 | 480.0 | 26.3 | 562.4 | 31.5 | 641.2 | 36.8 |
| | 50 | 283.0 | 15.3 | 343.9 | 18.8 | 401.2 | 22.1 | 480.0 | 27.0 | 562.4 | 32.3 | 641.2 | 37.7 |
| | 55 | 283.0 | 15.7 | 343.9 | 19.2 | 401.2 | 22.7 | 480.0 | 27.7 | 562.4 | 33.2 | 641.2 | 38.7 |
| | 60 | 283.0 | 16.1 | 343.9 | 19.8 | 401.2 | 23.3 | 480.0 | 28.5 | 562.4 | 34.1 | 641.2 | 39.8 |
| | 65 | 283.0 | 16.5 | 343.9 | 20.3 | 401.2 | 24.0 | 480.0 | 29.2 | 562.4 | 35.0 | 641.2 | 40.9 |
| | 70 | 283.0 | 18.0 | 343.9 | 22.1 | 401.2 | 26.1 | 480.0 | 31.8 | 562.4 | 38.1 | 641.2 | 44.5 |
| | 75 | 283.0 | 19.7 | 343.9 | 24.3 | 401.2 | 28.7 | 480.0 | 34.9 | 562.4 | 41.8 | 641.2 | 48.8 |
| | 80 | 283.0 | 21.7 | 343.9 | 26.6 | 401.2 | 31.5 | 480.0 | 38.3 | 562.4 | 45.9 | 641.2 | 53.6 |
| | 85 | 283.0 | 23.8 | 343.9 | 29.2 | 401.2 | 34.5 | 480.0 | 42.1 | 562.4 | 50.4 | 641.2 | 58.9 |
| | 90 | 283.0 | 26.1 | 343.9 | 32.0 | 401.2 | 37.8 | 480.0 | 46.1 | 562.4 | 55.2 | 640.1 | 64.4 |
| | 95 | 283.0 | 28.5 | 343.9 | 35.0 | 401.2 | 41.3 | 480.0 | 50.3 | 562.4 | 60.3 | 627.4 | 68.9 |
| | 100 | 283.0 | 30.9 | 343.9 | 38.0 | 401.2 | 44.9 | 480.0 | 54.7 | 562.4 | 65.6 | 609.3 | 72.7 |
| 105 | 283.0 | 33.4 | 343.9 | 41.1 | 401.2 | 48.5 | 480.0 | 59.1 | 553.7 | 69.7 | 575.9 | 74.2 | |
| 110 | 283.0 | 35.7 | 343.9 | 43.9 | 401.2 | 51.9 | 480.0 | 63.2 | 520.9 | 70.1 | 530.9 | 73.2 | |
| 115 | 283.0 | 37.8 | 343.9 | 46.5 | 401.2 | 54.9 | 447.8 | 62.4 | 463.8 | 66.1 | 472.7 | 69.0 | |
| 118 | 283.0 | 38.9 | 343.9 | 47.8 | 385.3 | 54.2 | 409.7 | 58.7 | 421.9 | 61.8 | 430.0 | 64.5 | |
| 125 | 257.7 | 36.9 | 273.0 | 39.5 | 282.5 | 41.4 | 293.3 | 43.8 | 302.1 | 46.1 | 307.9 | 48.1 | |

NOTE - Power Input = Compressor + Outdoor Fan Motor.
 MBH = 1000 BTUs per hour.

COOLING CAPACITY - THREE MODULE | VRB480H4

| Combination (%) | Outdoor Temperature °F (Dry Bulb) | Indoor Temperature - °F (Dry Bulb / Wet Bulb) | | | | | | | | | | | |
|-----------------|-----------------------------------|---|-------------|------------|-------------|------------|-------------|------------|-------------|------------|-------------|------------|-------------|
| | | 67 / 57 | | 71 / 60 | | 75 / 63 | | 80 / 67 | | 85 / 71 | | 90 / 75 | |
| | | Total Cap. | Power Input | Total Cap. | Power Input | Total Cap. | Power Input | Total Cap. | Power Input | Total Cap. | Power Input | Total Cap. | Power Input |
| | | MBH | kW | MBH | kW | MBH | kW | MBH | kW | MBH | kW | MBH | kW |
| 90% | -10 | 254.7 | 10.3 | 309.5 | 12.7 | 361.1 | 15.0 | 432.0 | 18.3 | 506.1 | 21.9 | 577.1 | 25.6 |
| | -5 | 254.7 | 11.0 | 309.5 | 13.5 | 361.1 | 15.9 | 432.0 | 19.4 | 506.1 | 23.3 | 577.1 | 27.2 |
| | 10 | 254.7 | 11.2 | 309.5 | 13.8 | 361.1 | 16.3 | 432.0 | 19.8 | 506.1 | 23.8 | 577.1 | 27.8 |
| | 15 | 254.7 | 11.5 | 309.5 | 14.1 | 361.1 | 16.6 | 432.0 | 20.3 | 506.1 | 24.3 | 577.1 | 28.4 |
| | 20 | 254.7 | 11.7 | 309.5 | 14.4 | 361.1 | 17.0 | 432.0 | 20.7 | 506.1 | 24.8 | 577.1 | 29.0 |
| | 25 | 254.7 | 12.0 | 309.5 | 14.7 | 361.1 | 17.4 | 432.0 | 21.2 | 506.1 | 25.4 | 577.1 | 29.6 |
| | 30 | 254.7 | 12.3 | 309.5 | 15.1 | 361.1 | 17.8 | 432.0 | 21.7 | 506.1 | 26.0 | 577.1 | 30.3 |
| | 35 | 254.7 | 12.6 | 309.5 | 15.4 | 361.1 | 18.2 | 432.0 | 22.2 | 506.1 | 26.6 | 577.1 | 31.1 |
| | 40 | 254.7 | 12.9 | 309.5 | 15.8 | 361.1 | 18.7 | 432.0 | 22.8 | 506.1 | 27.3 | 577.1 | 31.8 |
| | 45 | 254.7 | 13.2 | 309.5 | 16.2 | 361.1 | 19.1 | 432.0 | 23.3 | 506.1 | 27.9 | 577.1 | 32.6 |
| | 50 | 254.7 | 13.5 | 309.5 | 16.6 | 361.1 | 19.6 | 432.0 | 23.9 | 506.1 | 28.7 | 577.1 | 33.5 |
| | 55 | 254.7 | 13.9 | 309.5 | 17.1 | 361.1 | 20.2 | 432.0 | 24.6 | 506.1 | 29.4 | 577.1 | 34.4 |
| | 60 | 254.7 | 14.3 | 309.5 | 17.5 | 361.1 | 20.7 | 432.0 | 25.2 | 506.1 | 30.2 | 577.1 | 35.3 |
| | 65 | 254.7 | 14.7 | 309.5 | 18.0 | 361.1 | 21.3 | 432.0 | 25.9 | 506.1 | 31.1 | 577.1 | 36.3 |
| | 70 | 254.7 | 15.9 | 309.5 | 19.6 | 361.1 | 23.1 | 432.0 | 28.2 | 506.1 | 33.8 | 577.1 | 39.5 |
| | 75 | 254.7 | 17.5 | 309.5 | 21.5 | 361.1 | 25.4 | 432.0 | 31.0 | 506.1 | 37.1 | 577.1 | 43.3 |
| | 80 | 254.7 | 19.2 | 309.5 | 23.6 | 361.1 | 27.9 | 432.0 | 34.0 | 506.1 | 40.7 | 577.1 | 47.6 |
| | 85 | 254.7 | 21.1 | 309.5 | 25.9 | 361.1 | 30.6 | 432.0 | 37.3 | 506.1 | 44.7 | 577.1 | 52.2 |
| | 90 | 254.7 | 23.1 | 309.5 | 28.4 | 361.1 | 33.5 | 432.0 | 40.9 | 506.1 | 49.0 | 577.1 | 57.2 |
| | 80% | 95 | 254.7 | 25.2 | 309.5 | 31.0 | 361.1 | 36.6 | 432.0 | 44.6 | 506.1 | 53.5 | 577.1 |
| 100 | | 254.7 | 27.4 | 309.5 | 33.7 | 361.1 | 39.8 | 432.0 | 48.5 | 506.1 | 58.1 | 577.1 | 67.9 |
| 105 | | 254.7 | 29.6 | 309.5 | 36.4 | 361.1 | 43.0 | 432.0 | 52.4 | 506.1 | 62.8 | 565.5 | 71.8 |
| 110 | | 254.7 | 31.7 | 309.5 | 39.0 | 361.1 | 46.0 | 432.0 | 56.1 | 505.2 | 67.0 | 530.9 | 72.1 |
| 115 | | 254.7 | 33.5 | 309.5 | 41.2 | 361.1 | 48.7 | 432.0 | 59.3 | 463.8 | 65.1 | 472.7 | 67.9 |
| 118 | | 254.7 | 34.5 | 309.5 | 42.4 | 361.1 | 50.0 | 404.8 | 57.1 | 421.9 | 60.9 | 430.0 | 63.5 |
| 125 | | 249.2 | 35.2 | 273.0 | 39.0 | 282.5 | 40.8 | 293.3 | 43.2 | 302.1 | 45.4 | 307.9 | 47.4 |
| -10 | | 226.4 | 9.1 | 275.1 | 11.1 | 321.0 | 13.1 | 384.0 | 16.0 | 449.9 | 19.2 | 513.0 | 22.4 |
| -5 | | 226.4 | 9.6 | 275.1 | 11.8 | 321.0 | 14.0 | 384.0 | 17.0 | 449.9 | 20.4 | 513.0 | 23.8 |
| 10 | | 226.4 | 9.8 | 275.1 | 12.1 | 321.0 | 14.3 | 384.0 | 17.4 | 449.9 | 20.8 | 513.0 | 24.3 |
| 15 | | 226.4 | 10.0 | 275.1 | 12.3 | 321.0 | 14.6 | 384.0 | 17.8 | 449.9 | 21.3 | 513.0 | 24.8 |
| 20 | | 226.4 | 10.3 | 275.1 | 12.6 | 321.0 | 14.9 | 384.0 | 18.1 | 449.9 | 21.7 | 513.0 | 25.4 |
| 25 | | 226.4 | 10.5 | 275.1 | 12.9 | 321.0 | 15.2 | 384.0 | 18.6 | 449.9 | 22.2 | 513.0 | 26.0 |
| 30 | | 226.4 | 10.7 | 275.1 | 13.2 | 321.0 | 15.6 | 384.0 | 19.0 | 449.9 | 22.8 | 513.0 | 26.6 |
| 35 | | 226.4 | 11.0 | 275.1 | 13.5 | 321.0 | 16.0 | 384.0 | 19.5 | 449.9 | 23.3 | 513.0 | 27.2 |
| 40 | | 226.4 | 11.3 | 275.1 | 13.8 | 321.0 | 16.4 | 384.0 | 19.9 | 449.9 | 23.9 | 513.0 | 27.9 |
| 45 | | 226.4 | 11.6 | 275.1 | 14.2 | 321.0 | 16.8 | 384.0 | 20.4 | 449.9 | 24.5 | 513.0 | 28.6 |
| 50 | | 226.4 | 11.8 | 275.1 | 14.6 | 321.0 | 17.2 | 384.0 | 21.0 | 449.9 | 25.1 | 513.0 | 29.3 |
| 55 | | 226.4 | 12.2 | 275.1 | 14.9 | 321.0 | 17.7 | 384.0 | 21.5 | 449.9 | 25.8 | 513.0 | 30.1 |
| 60 | | 226.4 | 12.5 | 275.1 | 15.4 | 321.0 | 18.1 | 384.0 | 22.1 | 449.9 | 26.5 | 513.0 | 30.9 |
| 65 | 226.4 | 12.8 | 275.1 | 15.8 | 321.0 | 18.6 | 384.0 | 22.7 | 449.9 | 27.2 | 513.0 | 31.8 | |
| 70 | 226.4 | 14.0 | 275.1 | 17.2 | 321.0 | 20.3 | 384.0 | 24.7 | 449.9 | 29.6 | 513.0 | 34.6 | |
| 75 | 226.4 | 15.3 | 275.1 | 18.8 | 321.0 | 22.3 | 384.0 | 27.1 | 449.9 | 32.5 | 513.0 | 37.9 | |
| 80 | 226.4 | 16.8 | 275.1 | 20.7 | 321.0 | 24.4 | 384.0 | 29.8 | 449.9 | 35.7 | 513.0 | 41.7 | |
| 85 | 226.4 | 18.5 | 275.1 | 22.7 | 321.0 | 26.8 | 384.0 | 32.7 | 449.9 | 39.1 | 513.0 | 45.7 | |
| 90 | 226.4 | 20.2 | 275.1 | 24.9 | 321.0 | 29.4 | 384.0 | 35.8 | 449.9 | 42.9 | 513.0 | 50.1 | |
| 95 | 226.4 | 22.1 | 275.1 | 27.2 | 321.0 | 32.1 | 384.0 | 39.1 | 449.9 | 46.8 | 513.0 | 54.7 | |
| 100 | 226.4 | 24.0 | 275.1 | 29.5 | 321.0 | 34.9 | 384.0 | 42.5 | 449.9 | 50.9 | 513.0 | 59.5 | |
| 105 | 226.4 | 25.9 | 275.1 | 31.9 | 321.0 | 37.7 | 384.0 | 45.9 | 449.9 | 55.0 | 513.0 | 64.2 | |
| 110 | 226.4 | 27.8 | 275.1 | 34.1 | 321.0 | 40.3 | 384.0 | 49.1 | 449.9 | 58.8 | 513.0 | 68.7 | |
| 115 | 226.4 | 29.4 | 275.1 | 36.1 | 321.0 | 42.6 | 384.0 | 52.0 | 447.9 | 62.0 | 472.7 | 66.9 | |
| 118 | 226.4 | 30.2 | 275.1 | 37.1 | 321.0 | 43.8 | 384.0 | 53.4 | 418.3 | 59.5 | 430.0 | 62.6 | |
| 125 | 226.4 | 31.5 | 263.0 | 37.0 | 282.5 | 40.2 | 293.3 | 42.5 | 302.1 | 44.8 | 307.9 | 46.7 | |

NOTE - Power Input = Compressor + Outdoor Fan Motor.
MBH = 1000 BTUs per hour.

COOLING CAPACITY - THREE MODULE | VRB480H4

| Combination (%) | Outdoor Temperature °F (Dry Bulb) | Indoor Temperature - °F (Dry Bulb / Wet Bulb) | | | | | | | | | | | |
|-----------------|-----------------------------------|---|-------------|------------|-------------|------------|-------------|------------|-------------|------------|-------------|------------|-------------|
| | | 67 / 57 | | 71 / 60 | | 75 / 63 | | 80 / 67 | | 85 / 71 | | 90 / 75 | |
| | | Total Cap. | Power Input | Total Cap. | Power Input | Total Cap. | Power Input | Total Cap. | Power Input | Total Cap. | Power Input | Total Cap. | Power Input |
| | | MBH | KW | MBH | KW | MBH | KW | MBH | KW | MBH | KW | MBH | KW |
| 70% | -10 | 198.1 | 7.8 | 240.7 | 9.6 | 280.8 | 11.3 | 336.0 | 13.8 | 393.7 | 16.5 | 448.8 | 19.3 |
| | -5 | 198.1 | 8.3 | 240.7 | 10.2 | 280.8 | 12.0 | 336.0 | 14.7 | 393.7 | 17.6 | 448.8 | 20.5 |
| | 10 | 198.1 | 8.5 | 240.7 | 10.4 | 280.8 | 12.3 | 336.0 | 15.0 | 393.7 | 18.0 | 448.8 | 21.0 |
| | 15 | 198.1 | 8.7 | 240.7 | 10.6 | 280.8 | 12.6 | 336.0 | 15.3 | 393.7 | 18.4 | 448.8 | 21.4 |
| | 20 | 198.1 | 8.8 | 240.7 | 10.9 | 280.8 | 12.8 | 336.0 | 15.7 | 393.7 | 18.7 | 448.8 | 21.9 |
| | 25 | 198.1 | 9.1 | 240.7 | 11.1 | 280.8 | 13.1 | 336.0 | 16.0 | 393.7 | 19.2 | 448.8 | 22.4 |
| | 30 | 198.1 | 9.3 | 240.7 | 11.4 | 280.8 | 13.4 | 336.0 | 16.4 | 393.7 | 19.6 | 448.8 | 22.9 |
| | 35 | 198.1 | 9.5 | 240.7 | 11.7 | 280.8 | 13.8 | 336.0 | 16.8 | 393.7 | 20.1 | 448.8 | 23.5 |
| | 40 | 198.1 | 9.7 | 240.7 | 11.9 | 280.8 | 14.1 | 336.0 | 17.2 | 393.7 | 20.6 | 448.8 | 24.0 |
| | 45 | 198.1 | 10.0 | 240.7 | 12.2 | 280.8 | 14.5 | 336.0 | 17.6 | 393.7 | 21.1 | 448.8 | 24.6 |
| | 50 | 198.1 | 10.2 | 240.7 | 12.6 | 280.8 | 14.8 | 336.0 | 18.1 | 393.7 | 21.7 | 448.8 | 25.3 |
| | 55 | 198.1 | 10.5 | 240.7 | 12.9 | 280.8 | 15.2 | 336.0 | 18.6 | 393.7 | 22.2 | 448.8 | 26.0 |
| | 60 | 198.1 | 10.8 | 240.7 | 13.2 | 280.8 | 15.6 | 336.0 | 19.1 | 393.7 | 22.8 | 448.8 | 26.7 |
| | 65 | 198.1 | 11.1 | 240.7 | 13.6 | 280.8 | 16.1 | 336.0 | 19.6 | 393.7 | 23.5 | 448.8 | 27.4 |
| | 70 | 198.1 | 12.0 | 240.7 | 14.8 | 280.8 | 17.5 | 336.0 | 21.3 | 393.7 | 25.5 | 448.8 | 29.8 |
| | 75 | 198.1 | 13.2 | 240.7 | 16.3 | 280.8 | 19.2 | 336.0 | 23.4 | 393.7 | 28.0 | 448.8 | 32.7 |
| | 80 | 198.1 | 14.5 | 240.7 | 17.8 | 280.8 | 21.1 | 336.0 | 25.7 | 393.7 | 30.8 | 448.8 | 35.9 |
| | 85 | 198.1 | 15.9 | 240.7 | 19.6 | 280.8 | 23.1 | 336.0 | 28.2 | 393.7 | 33.8 | 448.8 | 39.4 |
| | 90 | 198.1 | 17.5 | 240.7 | 21.5 | 280.8 | 25.3 | 336.0 | 30.9 | 393.7 | 37.0 | 448.8 | 43.2 |
| | 95 | 198.1 | 19.1 | 240.7 | 23.4 | 280.8 | 27.7 | 336.0 | 33.7 | 393.7 | 40.4 | 448.8 | 47.2 |
| 100 | 198.1 | 20.7 | 240.7 | 25.5 | 280.8 | 30.1 | 336.0 | 36.7 | 393.7 | 43.9 | 448.8 | 51.3 | |
| 105 | 198.1 | 22.4 | 240.7 | 27.5 | 280.8 | 32.5 | 336.0 | 39.6 | 393.7 | 47.4 | 448.8 | 55.4 | |
| 110 | 198.1 | 23.9 | 240.7 | 29.4 | 280.8 | 34.8 | 336.0 | 42.4 | 393.7 | 50.7 | 448.8 | 59.2 | |
| 115 | 198.1 | 25.3 | 240.7 | 31.1 | 280.8 | 36.8 | 336.0 | 44.8 | 393.7 | 53.7 | 448.8 | 62.7 | |
| 118 | 198.1 | 26.0 | 240.7 | 32.0 | 280.8 | 37.8 | 336.0 | 46.1 | 393.7 | 55.2 | 423.4 | 60.8 | |
| 125 | 198.1 | 27.2 | 240.7 | 33.4 | 270.9 | 38.0 | 293.3 | 41.9 | 302.1 | 44.1 | 307.9 | 46.1 | |
| 60% | -10 | 169.8 | 6.6 | 206.3 | 8.1 | 240.7 | 9.6 | 288.0 | 11.7 | 337.4 | 14.0 | 384.7 | 16.3 |
| | -5 | 169.8 | 7.0 | 206.3 | 8.6 | 240.7 | 10.2 | 288.0 | 12.4 | 337.4 | 14.9 | 384.7 | 17.3 |
| | 10 | 169.8 | 7.2 | 206.3 | 8.8 | 240.7 | 10.4 | 288.0 | 12.7 | 337.4 | 15.2 | 384.7 | 17.7 |
| | 15 | 169.8 | 7.3 | 206.3 | 9.0 | 240.7 | 10.6 | 288.0 | 12.9 | 337.4 | 15.5 | 384.7 | 18.1 |
| | 20 | 169.8 | 7.5 | 206.3 | 9.2 | 240.7 | 10.9 | 288.0 | 13.2 | 337.4 | 15.8 | 384.7 | 18.5 |
| | 25 | 169.8 | 7.6 | 206.3 | 9.4 | 240.7 | 11.1 | 288.0 | 13.5 | 337.4 | 16.2 | 384.7 | 18.9 |
| | 30 | 169.8 | 7.8 | 206.3 | 9.6 | 240.7 | 11.4 | 288.0 | 13.8 | 337.4 | 16.6 | 384.7 | 19.4 |
| | 35 | 169.8 | 8.0 | 206.3 | 9.9 | 240.7 | 11.6 | 288.0 | 14.2 | 337.4 | 17.0 | 384.7 | 19.8 |
| | 40 | 169.8 | 8.2 | 206.3 | 10.1 | 240.7 | 11.9 | 288.0 | 14.5 | 337.4 | 17.4 | 384.7 | 20.3 |
| | 45 | 169.8 | 8.4 | 206.3 | 10.3 | 240.7 | 12.2 | 288.0 | 14.9 | 337.4 | 17.8 | 384.7 | 20.8 |
| | 50 | 169.8 | 8.6 | 206.3 | 10.6 | 240.7 | 12.5 | 288.0 | 15.3 | 337.4 | 18.3 | 384.7 | 21.4 |
| | 55 | 169.8 | 8.9 | 206.3 | 10.9 | 240.7 | 12.9 | 288.0 | 15.7 | 337.4 | 18.8 | 384.7 | 21.9 |
| | 60 | 169.8 | 9.1 | 206.3 | 11.2 | 240.7 | 13.2 | 288.0 | 16.1 | 337.4 | 19.3 | 384.7 | 22.5 |
| | 65 | 169.8 | 9.4 | 206.3 | 11.5 | 240.7 | 13.6 | 288.0 | 16.6 | 337.4 | 19.8 | 384.7 | 23.2 |
| | 70 | 169.8 | 10.2 | 206.3 | 12.5 | 240.7 | 14.8 | 288.0 | 18.0 | 337.4 | 21.6 | 384.7 | 25.2 |
| | 75 | 169.8 | 11.2 | 206.3 | 13.7 | 240.7 | 16.2 | 288.0 | 19.8 | 337.4 | 23.7 | 384.7 | 27.6 |
| | 80 | 169.8 | 12.3 | 206.3 | 15.1 | 240.7 | 17.8 | 288.0 | 21.7 | 337.4 | 26.0 | 384.7 | 30.4 |
| | 85 | 169.8 | 13.5 | 206.3 | 16.5 | 240.7 | 19.5 | 288.0 | 23.8 | 337.4 | 28.5 | 384.7 | 33.3 |
| | 90 | 169.8 | 14.7 | 206.3 | 18.1 | 240.7 | 21.4 | 288.0 | 26.1 | 337.4 | 31.3 | 384.7 | 36.5 |
| | 95 | 169.8 | 16.1 | 206.3 | 19.8 | 240.7 | 23.4 | 288.0 | 28.5 | 337.4 | 34.1 | 384.7 | 39.9 |
| 100 | 169.8 | 17.5 | 206.3 | 21.5 | 240.7 | 25.4 | 288.0 | 31.0 | 337.4 | 37.1 | 384.7 | 43.3 | |
| 105 | 169.8 | 18.9 | 206.3 | 23.2 | 240.7 | 27.4 | 288.0 | 33.4 | 337.4 | 40.1 | 384.7 | 46.8 | |
| 110 | 169.8 | 20.2 | 206.3 | 24.9 | 240.7 | 29.4 | 288.0 | 35.8 | 337.4 | 42.9 | 384.7 | 50.1 | |
| 115 | 169.8 | 21.4 | 206.3 | 26.3 | 240.7 | 31.1 | 288.0 | 37.9 | 337.4 | 45.4 | 384.7 | 53.0 | |
| 118 | 169.8 | 22.0 | 206.3 | 27.1 | 240.7 | 31.9 | 288.0 | 38.9 | 337.4 | 46.6 | 384.7 | 54.5 | |
| 125 | 169.8 | 23.0 | 206.3 | 28.2 | 240.7 | 33.3 | 280.3 | 39.5 | 300.9 | 43.3 | 307.9 | 45.4 | |

NOTE - Power Input = Compressor + Outdoor Fan Motor.
 MBH = 1000 BTUs per hour.

COOLING CAPACITY - THREE MODULE | VRB480H4

| Combination (%) | Outdoor Temperature °F (Dry Bulb) | Indoor Temperature - °F (Dry Bulb / Wet Bulb) | | | | | | | | | | | |
|-----------------|-----------------------------------|---|-------------|------------|-------------|------------|-------------|------------|-------------|------------|-------------|------------|-------------|
| | | 67 / 57 | | 71 / 60 | | 75 / 63 | | 80 / 67 | | 85 / 71 | | 90 / 75 | |
| | | Total Cap. | Power Input | Total Cap. | Power Input | Total Cap. | Power Input | Total Cap. | Power Input | Total Cap. | Power Input | Total Cap. | Power Input |
| | | MBH | kW | MBH | kW | MBH | kW | MBH | kW | MBH | kW | MBH | kW |
| 50% | -10 | 137.9 | 5.3 | 171.9 | 6.7 | 200.6 | 7.9 | 240.0 | 9.6 | 281.2 | 11.5 | 320.6 | 13.4 |
| | -5 | 141.5 | 5.8 | 171.9 | 7.1 | 200.6 | 8.4 | 240.0 | 10.2 | 281.2 | 12.2 | 320.6 | 14.3 |
| | 10 | 141.5 | 5.9 | 171.9 | 7.2 | 200.6 | 8.5 | 240.0 | 10.4 | 281.2 | 12.5 | 320.6 | 14.6 |
| | 15 | 141.5 | 6.0 | 171.9 | 7.4 | 200.6 | 8.7 | 240.0 | 10.6 | 281.2 | 12.7 | 320.6 | 14.9 |
| | 20 | 141.5 | 6.1 | 171.9 | 7.6 | 200.6 | 8.9 | 240.0 | 10.9 | 281.2 | 13.0 | 320.6 | 15.2 |
| | 25 | 141.5 | 6.3 | 171.9 | 7.7 | 200.6 | 9.1 | 240.0 | 11.1 | 281.2 | 13.3 | 320.6 | 15.6 |
| | 30 | 141.5 | 6.4 | 171.9 | 7.9 | 200.6 | 9.3 | 240.0 | 11.4 | 281.2 | 13.6 | 320.6 | 15.9 |
| | 35 | 141.5 | 6.6 | 171.9 | 8.1 | 200.6 | 9.6 | 240.0 | 11.7 | 281.2 | 14.0 | 320.6 | 16.3 |
| | 40 | 141.5 | 6.7 | 171.9 | 8.3 | 200.6 | 9.8 | 240.0 | 11.9 | 281.2 | 14.3 | 320.6 | 16.7 |
| | 45 | 141.5 | 6.9 | 171.9 | 8.5 | 200.6 | 10.0 | 240.0 | 12.2 | 281.2 | 14.7 | 320.6 | 17.1 |
| | 50 | 141.5 | 7.1 | 171.9 | 8.7 | 200.6 | 10.3 | 240.0 | 12.6 | 281.2 | 15.0 | 320.6 | 17.6 |
| | 55 | 141.5 | 7.3 | 171.9 | 9.0 | 200.6 | 10.6 | 240.0 | 12.9 | 281.2 | 15.4 | 320.6 | 18.0 |
| | 60 | 141.5 | 7.5 | 171.9 | 9.2 | 200.6 | 10.9 | 240.0 | 13.2 | 281.2 | 15.9 | 320.6 | 18.5 |
| | 65 | 141.5 | 7.7 | 171.9 | 9.5 | 200.6 | 11.2 | 240.0 | 13.6 | 281.2 | 16.3 | 320.6 | 19.0 |
| | 70 | 141.5 | 8.4 | 171.9 | 10.3 | 200.6 | 12.1 | 240.0 | 14.8 | 281.2 | 17.7 | 320.6 | 20.7 |
| | 75 | 141.5 | 9.2 | 171.9 | 11.3 | 200.6 | 13.3 | 240.0 | 16.2 | 281.2 | 19.5 | 320.6 | 22.7 |
| | 80 | 141.5 | 10.1 | 171.9 | 12.4 | 200.6 | 14.6 | 240.0 | 17.8 | 281.2 | 21.4 | 320.6 | 24.9 |
| | 85 | 141.5 | 11.1 | 171.9 | 13.6 | 200.6 | 16.1 | 240.0 | 19.6 | 281.2 | 23.4 | 320.6 | 27.4 |
| | 90 | 141.5 | 12.1 | 171.9 | 14.9 | 200.6 | 17.6 | 240.0 | 21.4 | 281.2 | 25.7 | 320.6 | 30.0 |
| | 95 | 141.5 | 13.2 | 171.9 | 16.3 | 200.6 | 19.2 | 240.0 | 23.4 | 281.2 | 28.0 | 320.6 | 32.8 |
| 100 | 141.5 | 14.4 | 171.9 | 17.7 | 200.6 | 20.9 | 240.0 | 25.5 | 281.2 | 30.5 | 320.6 | 35.6 | |
| 105 | 141.5 | 15.5 | 171.9 | 19.1 | 200.6 | 22.5 | 240.0 | 27.5 | 281.2 | 32.9 | 320.6 | 38.4 | |
| 110 | 141.5 | 16.6 | 171.9 | 20.4 | 200.6 | 24.1 | 240.0 | 29.4 | 281.2 | 35.2 | 320.6 | 41.1 | |
| 115 | 141.5 | 17.6 | 171.9 | 21.6 | 200.6 | 25.5 | 240.0 | 31.1 | 281.2 | 37.3 | 320.6 | 43.5 | |
| 118 | 141.5 | 18.1 | 171.9 | 22.2 | 200.6 | 26.2 | 240.0 | 32.0 | 281.2 | 38.3 | 320.6 | 44.7 | |
| 125 | 141.5 | 18.9 | 171.9 | 23.2 | 200.6 | 27.4 | 240.0 | 33.4 | 281.2 | 40.0 | 299.7 | 43.6 | |

NOTE - Power Input = Compressor + Outdoor Fan Motor.
 MBH = 1000 BTUs per hour.

HEATING CAPACITY - THREE MODULE | VRB480H4

| Combination (%) | Outdoor Temperature (°F) | | Indoor Temperature - °F Dry Bulb | | | | | | | | | | | |
|-----------------|--------------------------|----------|----------------------------------|-------------|------------|-------------|------------|-------------|------------|-------------|------------|-------------|------------|-------------|
| | | | 61 | | 64 | | 67 | | 70 | | 73 | | 75 | |
| | Dry Bulb | Wet Bulb | Total Cap. | Power Input | Total Cap. | Power Input | Total Cap. | Power Input | Total Cap. | Power Input | Total Cap. | Power Input | Total Cap. | Power Input |
| | | | MBH | kW | MBH | kW | MBH | kW | MBH | kW | MBH | kW | MBH | kW |
| 130% | -13 | -14 | 300.2 | 39.7 | 299.4 | 40.8 | 298.7 | 41.9 | 297.9 | 43.1 | 297.1 | 44.4 | 296.7 | 45.3 |
| | -8 | -9 | 311.6 | 41.3 | 310.8 | 42.4 | 310.1 | 43.5 | 309.3 | 44.8 | 308.5 | 46.1 | 308.0 | 47.0 |
| | -3 | -4 | 330.7 | 43.5 | 329.8 | 44.7 | 329.0 | 45.9 | 328.2 | 47.2 | 327.3 | 48.6 | 326.8 | 49.5 |
| | 2 | 1 | 355.3 | 46.2 | 354.3 | 47.4 | 353.5 | 48.6 | 352.6 | 50.0 | 351.7 | 51.5 | 351.1 | 52.5 |
| | 7 | 6 | 383.4 | 48.9 | 382.4 | 50.2 | 381.5 | 51.5 | 380.5 | 52.9 | 379.5 | 54.4 | 378.9 | 55.4 |
| | 12 | 10 | 413.4 | 51.5 | 412.4 | 52.8 | 411.4 | 54.1 | 410.3 | 55.6 | 409.3 | 57.1 | 408.6 | 58.2 |
| | 17 | 15 | 443.9 | 53.7 | 442.7 | 55.0 | 441.7 | 56.3 | 440.5 | 57.8 | 439.4 | 59.4 | 438.7 | 60.4 |
| | 22 | 20 | 473.5 | 55.4 | 472.3 | 56.7 | 471.1 | 58.0 | 469.9 | 59.5 | 468.7 | 61.0 | 467.9 | 62.0 |
| | 27 | 24 | 501.2 | 56.5 | 499.9 | 57.7 | 498.7 | 59.0 | 497.4 | 60.4 | 496.1 | 61.9 | 495.3 | 62.9 |
| | 32 | 29 | 526.3 | 56.9 | 524.9 | 58.1 | 523.7 | 59.3 | 522.3 | 60.7 | 521.2 | 61.6 | 520.2 | 60.5 |
| | 37 | 34 | 548.1 | 56.7 | 546.7 | 57.8 | 545.4 | 59.0 | 544.3 | 59.0 | 543.3 | 57.7 | 542.2 | 56.8 |
| | 42 | 38 | 566.5 | 55.8 | 565.4 | 57.0 | 564.3 | 56.2 | 563.2 | 55.1 | 562.2 | 54.1 | 561.1 | 53.5 |
| | 47 | 43 | 599.9 | 55.7 | 598.8 | 54.9 | 597.8 | 54.1 | 596.7 | 53.3 | 595.6 | 52.5 | 594.5 | 52.0 |
| | 52 | 47 | 658.7 | 55.7 | 657.6 | 55.0 | 656.5 | 54.4 | 655.5 | 53.8 | 646.7 | 52.6 | 626.6 | 50.6 |
| | 57 | 52 | 715.4 | 55.6 | 714.3 | 55.0 | 713.3 | 54.6 | 699.4 | 53.2 | 655.2 | 49.4 | 626.6 | 47.0 |
| | 62 | 56 | 770.1 | 55.3 | 766.4 | 54.7 | 743.6 | 52.9 | 699.4 | 49.5 | 655.2 | 46.1 | 626.6 | 43.9 |
| | 67 | 61 | 817.4 | 54.6 | 785.2 | 52.3 | 743.6 | 49.3 | 699.4 | 46.2 | 655.2 | 43.2 | 626.6 | 41.2 |
| | 72 | 66 | 829.4 | 51.8 | 785.2 | 48.9 | 743.6 | 46.2 | 699.4 | 43.4 | 655.2 | 40.6 | 626.6 | 38.8 |
| | 75 | 69 | 829.4 | 49.8 | 785.2 | 47.1 | 743.6 | 44.6 | 699.4 | 41.9 | 655.2 | 39.2 | 626.6 | 37.5 |
| | 80 | 74 | 829.4 | 46.8 | 785.2 | 44.3 | 743.6 | 42.0 | 699.4 | 39.5 | 655.2 | 37.1 | 626.6 | 35.4 |
| 120% | -13 | -14 | 299.0 | 39.0 | 298.2 | 40.0 | 297.5 | 41.1 | 296.7 | 42.3 | 296.0 | 43.5 | 295.5 | 44.4 |
| | -8 | -9 | 310.4 | 40.5 | 309.6 | 41.6 | 308.8 | 42.7 | 308.0 | 43.9 | 307.2 | 45.2 | 306.7 | 46.1 |
| | -3 | -4 | 329.4 | 42.7 | 328.5 | 43.8 | 327.7 | 45.0 | 326.9 | 46.3 | 326.0 | 47.6 | 325.5 | 48.6 |
| | 2 | 1 | 353.8 | 45.3 | 352.9 | 46.5 | 352.1 | 47.7 | 351.2 | 49.0 | 350.3 | 50.5 | 349.7 | 51.5 |
| | 7 | 6 | 381.9 | 48.0 | 380.9 | 49.2 | 380.0 | 50.5 | 379.0 | 51.9 | 378.0 | 53.4 | 377.4 | 54.4 |
| | 12 | 10 | 411.8 | 50.5 | 410.8 | 51.8 | 409.8 | 53.1 | 408.7 | 54.5 | 407.7 | 56.0 | 407.0 | 57.1 |
| | 17 | 15 | 442.1 | 52.7 | 441.0 | 54.0 | 439.9 | 55.3 | 438.8 | 56.7 | 437.7 | 58.2 | 436.9 | 59.3 |
| | 22 | 20 | 471.6 | 54.3 | 470.4 | 55.6 | 469.3 | 56.9 | 468.0 | 58.3 | 466.8 | 59.8 | 466.1 | 60.8 |
| | 27 | 24 | 499.2 | 55.4 | 497.9 | 56.6 | 496.7 | 57.9 | 495.5 | 59.3 | 494.2 | 60.7 | 493.4 | 61.7 |
| | 32 | 29 | 524.2 | 55.8 | 522.9 | 57.0 | 521.6 | 58.2 | 520.3 | 59.5 | 519.2 | 60.4 | 518.1 | 59.3 |
| | 37 | 34 | 546.0 | 55.6 | 544.6 | 56.7 | 543.3 | 57.8 | 542.2 | 57.8 | 541.1 | 56.5 | 540.0 | 55.7 |
| | 42 | 38 | 564.2 | 54.8 | 563.1 | 55.9 | 562.1 | 55.1 | 561.0 | 54.1 | 559.9 | 53.1 | 556.3 | 52.2 |
| | 47 | 43 | 599.9 | 54.8 | 598.8 | 54.0 | 597.8 | 53.2 | 596.7 | 52.4 | 590.2 | 51.2 | 578.4 | 49.8 |
| | 52 | 47 | 658.7 | 54.8 | 657.6 | 54.2 | 656.5 | 53.6 | 644.5 | 52.1 | 604.8 | 48.4 | 578.4 | 46.0 |
| | 57 | 52 | 715.4 | 54.7 | 709.8 | 53.9 | 686.4 | 51.8 | 645.6 | 48.3 | 604.8 | 44.9 | 578.4 | 42.8 |
| | 62 | 56 | 761.3 | 53.8 | 724.8 | 51.0 | 686.4 | 48.0 | 645.6 | 44.9 | 604.8 | 41.9 | 578.4 | 39.9 |
| | 67 | 61 | 765.6 | 50.3 | 724.8 | 47.5 | 686.4 | 44.8 | 645.6 | 42.0 | 604.8 | 39.2 | 578.4 | 37.4 |
| | 72 | 66 | 765.6 | 47.0 | 724.8 | 44.4 | 686.4 | 42.0 | 645.6 | 39.4 | 604.8 | 36.9 | 578.4 | 35.2 |
| | 75 | 69 | 765.6 | 45.2 | 724.8 | 42.8 | 686.4 | 40.5 | 645.6 | 38.0 | 604.8 | 35.6 | 578.4 | 34.0 |
| | 80 | 74 | 765.6 | 42.6 | 724.8 | 40.3 | 686.4 | 38.2 | 645.6 | 35.9 | 604.8 | 33.7 | 578.4 | 32.2 |
| 110% | -13 | -14 | 297.8 | 38.2 | 297.0 | 39.3 | 296.3 | 40.3 | 295.6 | 41.5 | 294.8 | 42.7 | 294.3 | 43.5 |
| | -8 | -9 | 309.1 | 39.7 | 308.4 | 40.8 | 307.6 | 41.8 | 306.8 | 43.0 | 306.0 | 44.3 | 305.5 | 45.2 |
| | -3 | -4 | 328.1 | 41.9 | 327.2 | 43.0 | 326.4 | 44.1 | 325.6 | 45.4 | 324.8 | 46.7 | 324.2 | 47.6 |
| | 2 | 1 | 352.4 | 44.4 | 351.5 | 45.6 | 350.7 | 46.8 | 349.8 | 48.1 | 348.9 | 49.5 | 348.3 | 50.5 |
| | 7 | 6 | 380.4 | 47.1 | 379.4 | 48.3 | 378.5 | 49.5 | 377.5 | 50.9 | 376.5 | 52.3 | 375.9 | 53.3 |
| | 12 | 10 | 410.2 | 49.5 | 409.1 | 50.8 | 408.1 | 52.1 | 407.1 | 53.5 | 406.0 | 54.9 | 405.4 | 56.0 |
| | 17 | 15 | 440.4 | 51.7 | 439.2 | 52.9 | 438.2 | 54.2 | 437.1 | 55.6 | 435.9 | 57.1 | 435.2 | 58.1 |
| | 22 | 20 | 469.7 | 53.3 | 468.5 | 54.6 | 467.4 | 55.8 | 466.2 | 57.2 | 465.0 | 58.7 | 464.2 | 59.7 |
| | 27 | 24 | 497.2 | 54.3 | 496.0 | 55.5 | 494.8 | 56.8 | 493.5 | 58.1 | 492.2 | 59.6 | 492.2 | 60.6 |
| | 32 | 29 | 522.1 | 54.7 | 520.8 | 55.9 | 519.5 | 57.1 | 518.2 | 58.4 | 517.1 | 59.3 | 511.5 | 57.7 |
| | 37 | 34 | 543.8 | 54.5 | 542.4 | 55.6 | 541.1 | 56.7 | 540.0 | 56.7 | 534.9 | 55.1 | 526.9 | 53.6 |
| | 42 | 38 | 562.0 | 53.7 | 560.9 | 54.8 | 559.8 | 54.0 | 558.8 | 53.0 | 548.3 | 51.3 | 530.2 | 49.1 |
| | 47 | 43 | 599.9 | 54.0 | 598.8 | 53.2 | 597.8 | 52.4 | 587.1 | 50.9 | 554.4 | 47.4 | 530.2 | 45.0 |
| | 52 | 47 | 658.7 | 54.0 | 651.7 | 52.9 | 629.2 | 50.6 | 591.8 | 47.1 | 554.4 | 43.7 | 530.2 | 41.5 |
| | 57 | 52 | 701.8 | 52.9 | 664.4 | 49.7 | 629.2 | 46.7 | 591.8 | 43.6 | 554.4 | 40.6 | 530.2 | 38.6 |
| | 62 | 56 | 701.8 | 48.9 | 664.4 | 46.0 | 629.2 | 43.4 | 591.8 | 40.6 | 554.4 | 37.8 | 530.2 | 36.0 |
| | 67 | 61 | 701.8 | 45.4 | 664.4 | 42.9 | 629.2 | 40.5 | 591.8 | 37.9 | 554.4 | 35.4 | 530.2 | 33.8 |
| | 72 | 66 | 701.8 | 42.5 | 664.4 | 40.1 | 629.2 | 37.9 | 591.8 | 35.6 | 554.4 | 33.3 | 530.2 | 31.8 |
| | 75 | 69 | 701.8 | 40.8 | 664.4 | 38.6 | 629.2 | 36.6 | 591.8 | 34.3 | 554.4 | 32.1 | 530.2 | 30.7 |
| | 80 | 74 | 701.8 | 38.4 | 664.4 | 36.4 | 629.2 | 34.5 | 591.8 | 32.4 | 554.4 | 30.4 | 530.2 | 29.1 |

NOTE - Power Input = Compressor + Outdoor Fan Motor.
 MBH = 1000 BTUs per hour.

HEATING CAPACITY - THREE MODULE | VRB480H4

| Combination (%) | Outdoor Temperature (°F) | | Indoor Temperature - °F Dry Bulb | | | | | | | | | | | |
|-----------------|--------------------------|----------|----------------------------------|----------------|----------------|----------------|----------------|----------------|----------------|----------------|----------------|----------------|----------------|----------------|
| | | | 61 | | 64 | | 67 | | 70 | | 73 | | 75 | |
| | Dry Bulb | Wet Bulb | Total Cap. MBH | Power Input kW | Total Cap. MBH | Power Input kW | Total Cap. MBH | Power Input kW | Total Cap. MBH | Power Input kW | Total Cap. MBH | Power Input kW | Total Cap. MBH | Power Input kW |
| 100% | -13 | -14 | 296.6 | 37.5 | 295.9 | 38.5 | 295.1 | 39.5 | 294.4 | 40.7 | 293.6 | 41.9 | 293.1 | 42.7 |
| | -8 | -9 | 307.9 | 38.9 | 307.1 | 40.0 | 306.4 | 41.0 | 305.6 | 42.2 | 304.8 | 43.5 | 304.3 | 44.4 |
| | -3 | -4 | 326.7 | 41.1 | 325.9 | 42.2 | 325.1 | 43.3 | 324.3 | 44.5 | 323.5 | 45.8 | 322.9 | 46.7 |
| | 2 | 1 | 351.0 | 43.6 | 350.1 | 44.7 | 349.3 | 45.9 | 348.4 | 47.2 | 347.5 | 48.6 | 346.9 | 49.5 |
| | 7 | 6 | 378.9 | 46.2 | 377.9 | 47.4 | 377.0 | 48.6 | 376.0 | 49.9 | 375.0 | 51.3 | 374.4 | 52.3 |
| | 12 | 10 | 408.5 | 48.6 | 407.5 | 49.8 | 406.5 | 51.1 | 405.5 | 52.4 | 404.4 | 53.9 | 403.7 | 54.9 |
| | 17 | 15 | 438.6 | 50.7 | 437.5 | 51.9 | 436.4 | 53.2 | 435.3 | 54.6 | 434.2 | 56.0 | 433.5 | 57.0 |
| | 22 | 20 | 467.8 | 52.3 | 466.7 | 53.5 | 465.5 | 54.7 | 464.3 | 56.1 | 463.1 | 57.6 | 460.3 | 58.3 |
| | 27 | 24 | 495.3 | 53.3 | 494.0 | 54.5 | 492.8 | 55.7 | 491.5 | 57.0 | 489.9 | 57.9 | 478.7 | 58.2 |
| | 32 | 29 | 520.0 | 53.7 | 518.7 | 54.8 | 517.5 | 56.0 | 514.0 | 57.0 | 502.8 | 56.9 | 482.0 | 53.6 |
| | 37 | 34 | 541.6 | 53.5 | 540.3 | 54.6 | 539.0 | 55.6 | 529.0 | 54.8 | 504.0 | 51.2 | 482.0 | 48.3 |
| | 42 | 38 | 559.7 | 52.7 | 558.3 | 53.7 | 553.2 | 52.6 | 538.0 | 50.4 | 504.0 | 46.4 | 482.0 | 43.9 |
| | 47 | 43 | 574.2 | 50.9 | 572.8 | 50.1 | 563.8 | 48.8 | 538.0 | 45.9 | 504.0 | 42.5 | 482.0 | 40.3 |
| | 52 | 47 | 585.2 | 47.3 | 582.8 | 46.6 | 572.0 | 45.3 | 538.0 | 42.2 | 504.0 | 39.2 | 482.0 | 37.2 |
| | 57 | 52 | 593.1 | 44.0 | 589.0 | 43.4 | 572.0 | 41.8 | 538.0 | 39.1 | 504.0 | 36.3 | 482.0 | 34.6 |
| | 62 | 56 | 598.3 | 41.0 | 593.2 | 40.5 | 572.0 | 38.8 | 538.0 | 36.3 | 504.0 | 33.9 | 482.0 | 32.3 |
| | 67 | 61 | 601.8 | 38.3 | 595.8 | 37.9 | 572.0 | 36.2 | 538.0 | 34.0 | 504.0 | 31.7 | 482.0 | 30.3 |
| 72 | 66 | 604.5 | 36.0 | 597.4 | 35.5 | 572.0 | 34.0 | 538.0 | 31.9 | 504.0 | 29.8 | 482.0 | 28.5 | |
| 75 | 69 | 606.2 | 34.7 | 598.0 | 34.2 | 572.0 | 32.7 | 538.0 | 30.8 | 504.0 | 28.8 | 482.0 | 27.5 | |
| 80 | 74 | 610.4 | 32.9 | 599.2 | 32.3 | 572.0 | 30.9 | 538.0 | 29.0 | 504.0 | 27.2 | 482.0 | 26.0 | |
| 90% | -13 | -14 | 295.4 | 36.8 | 294.7 | 37.8 | 294.0 | 38.8 | 293.2 | 39.9 | 292.5 | 41.1 | 292.0 | 41.9 |
| | -8 | -9 | 306.7 | 38.2 | 305.9 | 39.2 | 305.2 | 40.3 | 304.4 | 41.4 | 303.6 | 42.7 | 303.1 | 43.5 |
| | -3 | -4 | 325.4 | 40.3 | 324.6 | 41.4 | 323.8 | 42.5 | 323.0 | 43.7 | 322.2 | 45.0 | 321.6 | 45.9 |
| | 2 | 1 | 349.6 | 42.8 | 348.7 | 43.9 | 347.9 | 45.0 | 347.0 | 46.3 | 346.1 | 47.7 | 345.5 | 48.6 |
| | 7 | 6 | 377.3 | 45.3 | 376.4 | 46.5 | 375.5 | 47.7 | 374.5 | 49.0 | 373.5 | 50.4 | 372.9 | 51.3 |
| | 12 | 10 | 406.9 | 47.7 | 405.9 | 48.9 | 404.9 | 50.1 | 403.8 | 51.5 | 402.8 | 52.9 | 402.1 | 53.9 |
| | 17 | 15 | 436.9 | 49.7 | 435.7 | 51.0 | 434.7 | 52.2 | 433.6 | 53.5 | 431.5 | 54.9 | 425.1 | 55.2 |
| | 22 | 20 | 466.0 | 51.3 | 464.8 | 52.5 | 463.7 | 53.7 | 461.0 | 54.9 | 449.9 | 55.2 | 430.3 | 53.8 |
| | 27 | 24 | 493.3 | 52.3 | 492.0 | 53.5 | 489.5 | 54.5 | 479.4 | 54.9 | 448.0 | 52.7 | 430.8 | 51.6 |
| | 32 | 29 | 518.0 | 52.7 | 516.0 | 53.7 | 506.5 | 54.1 | 475.1 | 52.0 | 452.5 | 50.4 | 433.8 | 47.6 |
| | 37 | 34 | 539.5 | 52.5 | 531.1 | 52.9 | 500.6 | 51.0 | 476.1 | 48.6 | 453.6 | 45.4 | 433.8 | 42.8 |
| | 42 | 38 | 554.2 | 51.4 | 522.2 | 49.5 | 497.9 | 46.7 | 484.2 | 44.7 | 453.6 | 41.2 | 433.8 | 39.0 |
| | 47 | 43 | 543.8 | 47.5 | 517.0 | 44.5 | 507.4 | 43.2 | 484.2 | 40.7 | 453.6 | 37.7 | 433.8 | 35.7 |
| | 52 | 47 | 534.6 | 42.5 | 524.5 | 41.3 | 514.8 | 40.2 | 484.2 | 37.4 | 453.6 | 34.7 | 433.8 | 33.0 |
| | 57 | 52 | 540.2 | 39.4 | 530.1 | 38.4 | 514.8 | 37.1 | 484.2 | 34.6 | 453.6 | 32.2 | 433.8 | 30.6 |
| | 62 | 56 | 544.0 | 36.7 | 533.9 | 35.9 | 514.8 | 34.4 | 484.2 | 32.2 | 453.6 | 30.0 | 433.8 | 28.6 |
| | 67 | 61 | 546.4 | 34.3 | 536.2 | 33.6 | 514.8 | 32.1 | 484.2 | 30.1 | 453.6 | 28.1 | 433.8 | 26.8 |
| 72 | 66 | 547.8 | 32.1 | 537.6 | 31.5 | 514.8 | 30.1 | 484.2 | 28.3 | 453.6 | 26.4 | 433.8 | 25.3 | |
| 75 | 69 | 548.4 | 30.9 | 538.2 | 30.4 | 514.8 | 29.0 | 484.2 | 27.3 | 453.6 | 25.5 | 433.8 | 24.4 | |
| 80 | 74 | 549.4 | 29.1 | 539.3 | 28.6 | 514.8 | 27.4 | 484.2 | 25.8 | 453.6 | 24.1 | 433.8 | 23.1 | |
| 80% | -13 | -14 | 294.2 | 36.1 | 293.5 | 37.1 | 292.8 | 38.1 | 292.0 | 39.2 | 291.3 | 40.3 | 290.8 | 41.1 |
| | -8 | -9 | 305.4 | 37.5 | 304.7 | 38.5 | 303.9 | 39.5 | 303.2 | 40.7 | 302.4 | 41.9 | 301.9 | 42.7 |
| | -3 | -4 | 324.1 | 39.5 | 323.3 | 40.6 | 322.5 | 41.7 | 321.7 | 42.9 | 320.9 | 44.2 | 320.3 | 45.0 |
| | 2 | 1 | 348.2 | 42.0 | 347.3 | 43.1 | 346.5 | 44.2 | 345.6 | 45.4 | 344.7 | 46.8 | 344.1 | 47.7 |
| | 7 | 6 | 375.8 | 44.5 | 374.9 | 45.6 | 374.0 | 46.8 | 373.0 | 48.1 | 372.0 | 49.5 | 370.3 | 50.3 |
| | 12 | 10 | 405.3 | 46.8 | 404.2 | 48.0 | 403.3 | 49.2 | 402.2 | 50.5 | 399.4 | 51.2 | 384.6 | 50.9 |
| | 17 | 15 | 435.1 | 48.8 | 434.0 | 50.0 | 432.9 | 51.2 | 424.1 | 51.7 | 402.6 | 50.5 | 385.6 | 49.3 |
| | 22 | 20 | 464.1 | 50.4 | 461.0 | 51.3 | 452.5 | 51.7 | 428.7 | 50.4 | 401.9 | 48.6 | 385.6 | 47.5 |
| | 27 | 24 | 488.5 | 51.1 | 479.5 | 51.4 | 453.9 | 49.9 | 425.9 | 48.0 | 398.1 | 46.1 | 385.6 | 45.5 |
| | 32 | 29 | 504.8 | 50.7 | 475.8 | 48.9 | 448.5 | 47.2 | 419.6 | 45.2 | 402.3 | 44.2 | 385.6 | 41.7 |
| | 37 | 34 | 497.5 | 47.7 | 467.6 | 45.9 | 439.5 | 44.1 | 423.2 | 42.6 | 403.2 | 39.7 | 385.6 | 37.5 |
| | 42 | 38 | 486.4 | 44.5 | 455.8 | 42.6 | 442.5 | 40.9 | 430.4 | 39.1 | 403.2 | 36.1 | 385.6 | 34.1 |
| | 47 | 43 | 471.8 | 40.6 | 459.5 | 39.0 | 451.1 | 37.9 | 430.4 | 35.7 | 403.2 | 33.0 | 385.6 | 31.3 |
| | 52 | 47 | 475.2 | 37.2 | 466.2 | 36.2 | 457.6 | 35.2 | 430.4 | 32.8 | 403.2 | 30.4 | 385.6 | 28.9 |
| | 57 | 52 | 480.2 | 34.5 | 471.2 | 33.7 | 457.6 | 32.5 | 430.4 | 30.3 | 403.2 | 28.2 | 385.6 | 26.8 |
| | 62 | 56 | 483.6 | 32.2 | 474.5 | 31.4 | 457.6 | 30.2 | 430.4 | 28.2 | 403.2 | 26.3 | 385.6 | 25.1 |
| | 67 | 61 | 485.7 | 30.0 | 476.7 | 29.4 | 457.6 | 28.1 | 430.4 | 26.4 | 403.2 | 24.6 | 385.6 | 23.5 |
| 72 | 66 | 486.9 | 28.1 | 477.9 | 27.6 | 457.6 | 26.4 | 430.4 | 24.8 | 403.2 | 23.2 | 385.6 | 22.1 | |
| 75 | 69 | 487.5 | 27.1 | 478.4 | 26.6 | 457.6 | 25.4 | 430.4 | 23.9 | 403.2 | 22.4 | 385.6 | 21.4 | |
| 80 | 74 | 488.4 | 25.5 | 479.3 | 25.1 | 457.6 | 24.0 | 430.4 | 22.6 | 403.2 | 21.1 | 385.6 | 20.2 | |

NOTE - Power Input = Compressor + Outdoor Fan Motor.
MBH = 1000 BTUs per hour.

HEATING CAPACITY - THREE MODULE | VRB480H4

| Combination (%) | Outdoor Temperature (°F) | | Indoor Temperature - °F Dry Bulb | | | | | | | | | | | |
|-----------------|--------------------------|----------|----------------------------------|-------------|------------|-------------|------------|-------------|------------|-------------|------------|-------------|------------|-------------|
| | | | 61 | | 64 | | 67 | | 70 | | 73 | | 75 | |
| | | | Total Cap. | Power Input | Total Cap. | Power Input | Total Cap. | Power Input | Total Cap. | Power Input | Total Cap. | Power Input | Total Cap. | Power Input |
| | Dry Bulb | Wet Bulb | MBH | kW | MBH | kW | MBH | kW | MBH | kW | MBH | kW | MBH | kW |
| 70% | -13 | -14 | 293.1 | 35.4 | 292.3 | 36.4 | 291.6 | 37.4 | 290.9 | 38.5 | 290.1 | 39.6 | 289.6 | 40.4 |
| | -8 | -9 | 304.2 | 36.8 | 303.4 | 37.8 | 302.7 | 38.8 | 301.9 | 39.9 | 301.2 | 41.1 | 300.6 | 41.9 |
| | -3 | -4 | 322.8 | 38.8 | 322.0 | 39.9 | 321.2 | 40.9 | 320.4 | 42.1 | 319.6 | 43.3 | 319.0 | 44.2 |
| | 2 | 1 | 346.8 | 41.2 | 345.9 | 42.3 | 345.1 | 43.4 | 344.2 | 44.6 | 341.7 | 45.7 | 336.7 | 46.0 |
| | 7 | 6 | 374.3 | 43.6 | 373.4 | 44.8 | 372.5 | 45.9 | 367.6 | 46.7 | 352.8 | 46.3 | 337.4 | 45.2 |
| | 12 | 10 | 403.6 | 46.0 | 402.3 | 47.1 | 394.9 | 47.5 | 376.6 | 46.7 | 352.8 | 45.1 | 337.4 | 44.0 |
| | 17 | 15 | 430.0 | 47.6 | 422.1 | 48.0 | 400.4 | 46.8 | 376.6 | 45.3 | 352.8 | 43.6 | 337.4 | 42.6 |
| | 22 | 20 | 446.2 | 47.8 | 422.7 | 46.5 | 400.4 | 45.1 | 376.6 | 43.6 | 352.8 | 42.0 | 337.4 | 41.0 |
| | 27 | 24 | 443.9 | 45.8 | 419.5 | 44.4 | 400.4 | 43.4 | 376.6 | 41.9 | 352.8 | 40.3 | 337.4 | 39.2 |
| | 32 | 29 | 438.1 | 43.3 | 412.9 | 41.8 | 400.4 | 41.5 | 376.6 | 40.1 | 352.8 | 38.2 | 337.4 | 35.9 |
| | 37 | 34 | 428.7 | 40.5 | 402.8 | 38.9 | 400.4 | 39.6 | 376.6 | 37.4 | 352.8 | 34.3 | 337.4 | 32.4 |
| | 42 | 38 | 415.9 | 37.4 | 394.6 | 36.3 | 400.4 | 36.5 | 376.6 | 33.7 | 352.8 | 31.1 | 337.4 | 29.4 |
| | 47 | 43 | 410.0 | 34.7 | 402.1 | 33.7 | 400.4 | 33.1 | 376.6 | 30.8 | 352.8 | 28.5 | 337.4 | 27.0 |
| | 52 | 47 | 415.8 | 32.1 | 407.9 | 31.2 | 400.4 | 30.4 | 376.6 | 28.3 | 352.8 | 26.2 | 337.4 | 24.9 |
| | 57 | 52 | 420.2 | 29.8 | 412.3 | 29.0 | 400.4 | 28.0 | 376.6 | 26.2 | 352.8 | 24.3 | 337.4 | 23.1 |
| | 62 | 56 | 423.1 | 27.7 | 415.2 | 27.1 | 400.4 | 26.0 | 376.6 | 24.3 | 352.8 | 22.7 | 337.4 | 21.6 |
| | 67 | 61 | 425.0 | 25.9 | 417.1 | 25.4 | 400.4 | 24.3 | 376.6 | 22.8 | 352.8 | 21.2 | 337.4 | 20.3 |
| | 72 | 66 | 426.1 | 24.3 | 418.2 | 23.8 | 400.4 | 22.8 | 376.6 | 21.4 | 352.8 | 20.0 | 337.4 | 19.1 |
| | 75 | 69 | 426.5 | 23.4 | 418.6 | 22.9 | 400.4 | 21.9 | 376.6 | 20.6 | 352.8 | 19.3 | 337.4 | 18.4 |
| | 80 | 74 | 427.3 | 22.0 | 419.4 | 21.6 | 400.4 | 20.7 | 376.6 | 19.5 | 352.8 | 18.2 | 337.4 | 17.4 |
| 60% | -13 | -14 | 291.9 | 34.8 | 291.1 | 35.7 | 290.4 | 36.7 | 289.7 | 37.8 | 288.9 | 38.9 | 284.6 | 39.2 |
| | -8 | -9 | 303.0 | 36.1 | 302.2 | 37.1 | 301.5 | 38.1 | 300.7 | 39.2 | 297.0 | 40.0 | 289.2 | 39.8 |
| | -3 | -4 | 321.5 | 38.1 | 320.7 | 39.1 | 319.9 | 40.2 | 316.4 | 41.0 | 302.4 | 40.5 | 289.2 | 39.5 |
| | 2 | 1 | 345.4 | 40.4 | 344.5 | 41.5 | 339.1 | 42.1 | 322.8 | 41.3 | 302.4 | 39.9 | 289.2 | 39.0 |
| | 7 | 6 | 370.4 | 42.6 | 362.4 | 42.9 | 343.2 | 41.8 | 322.8 | 40.5 | 302.4 | 39.1 | 289.2 | 38.2 |
| | 12 | 10 | 382.8 | 43.0 | 362.4 | 41.9 | 343.2 | 40.7 | 322.8 | 39.5 | 302.4 | 38.1 | 289.2 | 37.2 |
| | 17 | 15 | 382.8 | 41.8 | 362.4 | 40.7 | 343.2 | 39.5 | 322.8 | 38.2 | 302.4 | 36.9 | 289.2 | 36.0 |
| | 22 | 20 | 382.8 | 40.4 | 362.4 | 39.3 | 343.2 | 38.1 | 322.8 | 36.9 | 302.4 | 35.5 | 289.2 | 34.6 |
| | 27 | 24 | 382.8 | 38.9 | 362.4 | 37.8 | 343.2 | 36.7 | 322.8 | 35.4 | 302.4 | 34.1 | 289.2 | 33.2 |
| | 32 | 29 | 382.8 | 37.3 | 362.4 | 36.2 | 343.2 | 35.1 | 322.8 | 33.8 | 302.4 | 32.3 | 289.2 | 30.4 |
| | 37 | 34 | 382.8 | 35.7 | 362.4 | 34.6 | 343.2 | 33.5 | 322.8 | 31.6 | 302.4 | 29.0 | 289.2 | 27.3 |
| | 42 | 38 | 382.8 | 34.0 | 362.4 | 32.9 | 343.2 | 30.8 | 322.8 | 28.5 | 302.4 | 26.3 | 289.2 | 24.9 |
| | 47 | 43 | 382.8 | 32.1 | 362.4 | 30.0 | 343.2 | 28.0 | 322.8 | 26.0 | 302.4 | 24.0 | 289.2 | 22.8 |
| | 52 | 47 | 382.8 | 29.2 | 362.4 | 27.4 | 343.2 | 25.7 | 322.8 | 23.9 | 302.4 | 22.2 | 289.2 | 21.1 |
| | 57 | 52 | 382.8 | 26.8 | 362.4 | 25.2 | 343.2 | 23.7 | 322.8 | 22.1 | 302.4 | 20.6 | 289.2 | 19.6 |
| | 62 | 56 | 382.8 | 24.8 | 362.4 | 23.3 | 343.2 | 22.0 | 322.8 | 20.6 | 302.4 | 19.2 | 289.2 | 18.3 |
| | 67 | 61 | 382.8 | 23.0 | 362.4 | 21.7 | 343.2 | 20.5 | 322.8 | 19.2 | 302.4 | 17.9 | 289.2 | 17.1 |
| | 72 | 66 | 382.8 | 21.5 | 362.4 | 20.3 | 343.2 | 19.2 | 322.8 | 18.0 | 302.4 | 16.9 | 289.2 | 16.1 |
| | 75 | 69 | 382.8 | 20.7 | 362.4 | 19.6 | 343.2 | 18.5 | 322.8 | 17.4 | 302.4 | 16.3 | 289.2 | 15.6 |
| | 80 | 74 | 382.8 | 19.5 | 362.4 | 18.4 | 343.2 | 17.5 | 322.8 | 16.4 | 302.4 | 15.4 | 289.2 | 14.7 |
| 50% | -13 | -14 | 290.7 | 34.2 | 289.5 | 35.1 | 284.2 | 35.4 | 269.0 | 34.6 | 252.0 | 33.5 | 241.0 | 32.7 |
| | -8 | -9 | 301.8 | 35.5 | 297.6 | 36.1 | 286.0 | 35.7 | 269.0 | 34.6 | 252.0 | 33.5 | 241.0 | 32.7 |
| | -3 | -4 | 316.0 | 37.0 | 302.0 | 36.4 | 286.0 | 35.5 | 269.0 | 34.4 | 252.0 | 33.3 | 241.0 | 32.5 |
| | 2 | 1 | 319.0 | 36.9 | 302.0 | 35.9 | 286.0 | 35.0 | 269.0 | 33.9 | 252.0 | 32.8 | 241.0 | 32.0 |
| | 7 | 6 | 319.0 | 36.2 | 302.0 | 35.3 | 286.0 | 34.3 | 269.0 | 33.3 | 252.0 | 32.1 | 241.0 | 31.4 |
| | 12 | 10 | 319.0 | 35.4 | 302.0 | 34.4 | 286.0 | 33.5 | 269.0 | 32.4 | 252.0 | 31.3 | 241.0 | 30.5 |
| | 17 | 15 | 319.0 | 34.4 | 302.0 | 33.4 | 286.0 | 32.5 | 269.0 | 31.4 | 252.0 | 30.3 | 241.0 | 29.5 |
| | 22 | 20 | 319.0 | 33.2 | 302.0 | 32.3 | 286.0 | 31.3 | 269.0 | 30.3 | 252.0 | 29.2 | 241.0 | 28.4 |
| | 27 | 24 | 319.0 | 32.0 | 302.0 | 31.1 | 286.0 | 30.1 | 269.0 | 29.1 | 252.0 | 28.0 | 241.0 | 27.2 |
| | 32 | 29 | 319.0 | 30.7 | 302.0 | 29.8 | 286.0 | 28.8 | 269.0 | 27.8 | 252.0 | 26.5 | 241.0 | 24.9 |
| | 37 | 34 | 319.0 | 29.3 | 302.0 | 28.4 | 286.0 | 27.5 | 269.0 | 25.9 | 252.0 | 23.8 | 241.0 | 22.5 |
| | 42 | 38 | 319.0 | 28.0 | 302.0 | 27.1 | 286.0 | 25.3 | 269.0 | 23.4 | 252.0 | 21.6 | 241.0 | 20.4 |
| | 47 | 43 | 319.0 | 26.4 | 302.0 | 24.6 | 286.0 | 23.0 | 269.0 | 21.4 | 252.0 | 19.8 | 241.0 | 18.7 |
| | 52 | 47 | 319.0 | 24.0 | 302.0 | 22.5 | 286.0 | 21.1 | 269.0 | 19.6 | 252.0 | 18.2 | 241.0 | 17.3 |
| | 57 | 52 | 319.0 | 22.0 | 302.0 | 20.7 | 286.0 | 19.5 | 269.0 | 18.2 | 252.0 | 16.9 | 241.0 | 16.1 |
| | 62 | 56 | 319.0 | 20.4 | 302.0 | 19.2 | 286.0 | 18.1 | 269.0 | 16.9 | 252.0 | 15.7 | 241.0 | 15.0 |
| | 67 | 61 | 319.0 | 18.9 | 302.0 | 17.9 | 286.0 | 16.9 | 269.0 | 15.8 | 252.0 | 14.7 | 241.0 | 14.1 |
| | 72 | 66 | 319.0 | 17.7 | 302.0 | 16.7 | 286.0 | 15.8 | 269.0 | 14.8 | 252.0 | 13.9 | 241.0 | 13.2 |
| | 75 | 69 | 319.0 | 17.0 | 302.0 | 16.1 | 286.0 | 15.2 | 269.0 | 14.3 | 252.0 | 13.4 | 241.0 | 12.8 |
| | 80 | 74 | 319.0 | 16.0 | 302.0 | 15.2 | 286.0 | 14.4 | 269.0 | 13.5 | 252.0 | 12.7 | 241.0 | 12.1 |

NOTE - Power Input = Compressor + Outdoor Fan Motor.
MBH = 1000 BTUs per hour.

COOLING CAPACITY - THREE MODULE | VRB504H4

| Combination (%) | Outdoor Temperature °F (Dry Bulb) | Indoor Temperature - °F (Dry Bulb / Wet Bulb) | | | | | | | | | | | |
|-----------------|-----------------------------------|---|-------------|------------|-------------|------------|-------------|------------|-------------|------------|-------------|------------|-------------|
| | | 67 / 57 | | 71 / 60 | | 75 / 63 | | 80 / 67 | | 85 / 71 | | 90 / 75 | |
| | | Total Cap. | Power Input | Total Cap. | Power Input | Total Cap. | Power Input | Total Cap. | Power Input | Total Cap. | Power Input | Total Cap. | Power Input |
| | | MBH | kW | MBH | kW | MBH | kW | MBH | kW | MBH | kW | MBH | kW |
| 130% | -10 | 377.1 | 16.4 | 458.2 | 20.1 | 534.6 | 23.7 | 639.6 | 28.9 | 749.4 | 34.7 | 854.4 | 40.5 |
| | -5 | 377.1 | 17.4 | 458.2 | 21.4 | 534.6 | 25.2 | 639.6 | 30.8 | 749.4 | 36.8 | 815.3 | 41.1 |
| | 10 | 377.1 | 17.8 | 458.2 | 21.8 | 534.6 | 25.8 | 639.6 | 31.4 | 749.4 | 37.6 | 800.3 | 41.2 |
| | 15 | 377.1 | 18.2 | 458.2 | 22.3 | 534.6 | 26.3 | 639.6 | 32.1 | 749.4 | 38.5 | 784.9 | 41.3 |
| | 20 | 377.1 | 18.5 | 458.2 | 22.8 | 534.6 | 26.9 | 639.6 | 32.8 | 749.4 | 39.3 | 770.2 | 41.4 |
| | 25 | 377.1 | 19.0 | 458.2 | 23.3 | 534.6 | 27.5 | 639.6 | 33.6 | 749.4 | 40.2 | 755.3 | 41.5 |
| | 30 | 377.1 | 19.4 | 458.2 | 23.9 | 534.6 | 28.2 | 639.6 | 34.3 | 731.6 | 40.2 | 741.4 | 41.7 |
| | 35 | 377.1 | 19.9 | 458.2 | 24.4 | 534.6 | 28.9 | 639.6 | 35.2 | 718.6 | 40.4 | 728.4 | 41.9 |
| | 40 | 377.1 | 20.4 | 458.2 | 25.0 | 534.6 | 29.6 | 639.6 | 36.0 | 711.6 | 41.0 | 721.4 | 42.6 |
| | 45 | 377.1 | 20.9 | 458.2 | 25.7 | 534.6 | 30.3 | 639.6 | 36.9 | 710.6 | 42.0 | 720.5 | 43.6 |
| | 50 | 377.1 | 21.4 | 458.2 | 26.3 | 534.6 | 31.1 | 639.6 | 37.9 | 710.3 | 43.0 | 720.1 | 44.7 |
| | 55 | 377.1 | 22.0 | 458.2 | 27.0 | 534.6 | 31.9 | 639.6 | 38.9 | 710.2 | 44.1 | 720.0 | 45.8 |
| | 60 | 377.1 | 22.6 | 458.2 | 27.8 | 534.6 | 32.8 | 639.6 | 39.9 | 712.3 | 45.5 | 719.8 | 47.1 |
| | 65 | 377.1 | 23.2 | 458.2 | 28.5 | 534.6 | 33.7 | 639.6 | 41.1 | 705.4 | 46.3 | 718.9 | 48.3 |
| | 70 | 377.1 | 25.3 | 458.2 | 31.0 | 534.6 | 36.6 | 639.6 | 44.7 | 703.3 | 50.2 | 716.8 | 52.4 |
| | 75 | 377.1 | 27.7 | 458.2 | 34.1 | 534.6 | 40.2 | 639.6 | 49.0 | 699.2 | 54.8 | 712.6 | 57.2 |
| | 80 | 377.1 | 30.4 | 458.2 | 37.4 | 534.6 | 44.2 | 639.6 | 53.8 | 692.3 | 59.6 | 705.6 | 62.2 |
| | 85 | 377.1 | 33.4 | 458.2 | 41.0 | 534.6 | 48.5 | 639.6 | 59.1 | 681.7 | 64.4 | 694.8 | 67.2 |
| | 90 | 377.1 | 36.6 | 458.2 | 45.0 | 534.6 | 53.1 | 639.6 | 64.7 | 666.3 | 68.9 | 679.1 | 71.9 |
| | 95 | 377.1 | 40.0 | 458.2 | 49.1 | 534.6 | 58.0 | 600.5 | 66.4 | 625.2 | 70.6 | 635.3 | 73.5 |
| 100 | 377.1 | 43.4 | 458.2 | 53.4 | 534.6 | 63.0 | 585.6 | 70.4 | 595.7 | 73.2 | 607.1 | 76.4 | |
| 105 | 377.1 | 46.9 | 458.2 | 57.6 | 520.9 | 66.3 | 543.7 | 70.5 | 559.9 | 74.2 | 570.6 | 77.5 | |
| 110 | 377.1 | 50.2 | 458.2 | 61.7 | 480.9 | 65.5 | 499.4 | 69.3 | 514.3 | 73.0 | 524.2 | 76.2 | |
| 115 | 377.1 | 53.1 | 413.4 | 58.9 | 427.8 | 61.7 | 444.3 | 65.2 | 457.5 | 68.7 | 466.2 | 71.7 | |
| 118 | 352.2 | 51.0 | 376.6 | 55.2 | 389.7 | 57.8 | 404.7 | 61.1 | 416.7 | 64.3 | 424.7 | 67.2 | |
| 125 | 262.7 | 39.7 | 274.2 | 41.9 | 283.8 | 43.9 | 294.7 | 46.4 | 303.4 | 48.9 | 309.3 | 51.0 | |
| 120% | -10 | 348.1 | 14.9 | 423.0 | 18.3 | 493.5 | 21.6 | 590.4 | 26.3 | 691.7 | 31.5 | 788.7 | 36.8 |
| | -5 | 348.1 | 15.8 | 423.0 | 19.4 | 493.5 | 22.9 | 590.4 | 28.0 | 691.7 | 33.5 | 788.7 | 39.1 |
| | 10 | 348.1 | 16.1 | 423.0 | 19.8 | 493.5 | 23.4 | 590.4 | 28.6 | 691.7 | 34.2 | 786.6 | 39.8 |
| | 15 | 348.1 | 16.5 | 423.0 | 20.3 | 493.5 | 23.9 | 590.4 | 29.2 | 691.7 | 35.0 | 771.3 | 39.9 |
| | 20 | 348.1 | 16.9 | 423.0 | 20.7 | 493.5 | 24.5 | 590.4 | 29.8 | 691.7 | 35.7 | 756.6 | 40.0 |
| | 25 | 348.1 | 17.2 | 423.0 | 21.2 | 493.5 | 25.0 | 590.4 | 30.5 | 691.7 | 36.5 | 741.9 | 40.1 |
| | 30 | 348.1 | 17.6 | 423.0 | 21.7 | 493.5 | 25.6 | 590.4 | 31.2 | 691.7 | 37.4 | 728.1 | 40.3 |
| | 35 | 348.1 | 18.1 | 423.0 | 22.2 | 493.5 | 26.2 | 590.4 | 32.0 | 691.7 | 38.3 | 715.1 | 40.5 |
| | 40 | 348.1 | 18.5 | 423.0 | 22.8 | 493.5 | 26.9 | 590.4 | 32.7 | 691.7 | 39.2 | 707.8 | 41.1 |
| | 45 | 348.1 | 19.0 | 423.0 | 23.3 | 493.5 | 27.5 | 590.4 | 33.6 | 691.7 | 40.2 | 706.9 | 42.1 |
| | 50 | 348.1 | 19.5 | 423.0 | 23.9 | 493.5 | 28.3 | 590.4 | 34.4 | 691.7 | 41.2 | 706.5 | 43.1 |
| | 55 | 348.1 | 20.0 | 423.0 | 24.6 | 493.5 | 29.0 | 590.4 | 35.3 | 691.7 | 42.3 | 706.4 | 44.3 |
| | 60 | 348.1 | 20.5 | 423.0 | 25.2 | 493.5 | 29.8 | 590.4 | 36.3 | 691.7 | 43.5 | 706.2 | 45.5 |
| | 65 | 348.1 | 21.1 | 423.0 | 25.9 | 493.5 | 30.6 | 590.4 | 37.3 | 691.7 | 44.7 | 705.4 | 46.7 |
| | 70 | 348.1 | 22.9 | 423.0 | 28.2 | 493.5 | 33.3 | 590.4 | 40.6 | 690.0 | 48.5 | 703.3 | 50.6 |
| | 75 | 348.1 | 25.2 | 423.0 | 31.0 | 493.5 | 36.6 | 590.4 | 44.6 | 686.0 | 52.9 | 699.2 | 55.3 |
| | 80 | 348.1 | 27.7 | 423.0 | 34.0 | 493.5 | 40.1 | 590.4 | 48.9 | 679.3 | 57.5 | 692.3 | 60.1 |
| | 85 | 348.1 | 30.3 | 423.0 | 37.3 | 493.5 | 44.0 | 590.4 | 53.7 | 668.8 | 62.2 | 681.7 | 64.9 |
| | 90 | 348.1 | 33.2 | 423.0 | 40.9 | 493.5 | 48.3 | 590.4 | 58.8 | 653.7 | 66.6 | 666.3 | 69.5 |
| | 95 | 348.1 | 36.3 | 423.0 | 44.6 | 493.5 | 52.7 | 590.4 | 64.2 | 625.2 | 69.5 | 635.3 | 72.4 |
| 100 | 348.1 | 39.5 | 423.0 | 48.5 | 493.5 | 57.3 | 571.7 | 67.6 | 595.7 | 72.0 | 607.1 | 75.2 | |
| 105 | 348.1 | 42.6 | 423.0 | 52.4 | 493.5 | 61.9 | 543.7 | 69.4 | 559.9 | 73.1 | 570.6 | 76.3 | |
| 110 | 348.1 | 45.6 | 423.0 | 56.1 | 469.5 | 63.0 | 499.4 | 68.3 | 514.3 | 71.9 | 524.2 | 75.0 | |
| 115 | 348.1 | 48.3 | 403.6 | 56.6 | 427.8 | 60.7 | 444.3 | 64.2 | 457.5 | 67.6 | 466.2 | 70.6 | |
| 118 | 348.1 | 49.6 | 376.6 | 54.3 | 389.7 | 56.9 | 404.7 | 60.2 | 416.7 | 63.3 | 424.7 | 66.1 | |
| 125 | 262.7 | 39.1 | 274.2 | 41.2 | 283.8 | 43.2 | 294.7 | 45.7 | 303.4 | 48.1 | 309.3 | 50.2 | |

NOTE - Power Input = Compressor + Outdoor Fan Motor.
MBH = 1000 BTUs per hour.

COOLING CAPACITY - THREE MODULE | VRB504H4

| Combination (%) | Outdoor Temperature °F (Dry Bulb) | Indoor Temperature - °F (Dry Bulb / Wet Bulb) | | | | | | | | | | | |
|-----------------|-----------------------------------|---|-------------|------------|-------------|------------|-------------|--------------|-------------|------------|-------------|------------|-------------|
| | | 67 / 57 | | 71 / 60 | | 75 / 63 | | 80 / 67 | | 85 / 71 | | 90 / 75 | |
| | | Total Cap. | Power Input | Total Cap. | Power Input | Total Cap. | Power Input | Total Cap. | Power Input | Total Cap. | Power Input | Total Cap. | Power Input |
| | | MBH | KW | MBH | KW | MBH | KW | MBH | KW | MBH | KW | MBH | KW |
| 110% | -10 | 319.1 | 13.4 | 387.7 | 16.5 | 452.3 | 19.5 | 541.2 | 23.7 | 634.1 | 28.4 | 722.9 | 33.2 |
| | -5 | 319.1 | 14.3 | 387.7 | 17.5 | 452.3 | 20.7 | 541.2 | 25.2 | 634.1 | 30.2 | 722.9 | 35.3 |
| | 10 | 319.1 | 14.6 | 387.7 | 17.9 | 452.3 | 21.1 | 541.2 | 25.8 | 634.1 | 30.9 | 722.9 | 36.1 |
| | 15 | 319.1 | 14.9 | 387.7 | 18.3 | 452.3 | 21.6 | 541.2 | 26.3 | 634.1 | 31.6 | 722.9 | 36.8 |
| | 20 | 319.1 | 15.2 | 387.7 | 18.7 | 452.3 | 22.1 | 541.2 | 26.9 | 634.1 | 32.2 | 722.9 | 37.6 |
| | 25 | 319.1 | 15.6 | 387.7 | 19.1 | 452.3 | 22.6 | 541.2 | 27.5 | 634.1 | 33.0 | 722.9 | 38.5 |
| | 30 | 319.1 | 15.9 | 387.7 | 19.6 | 452.3 | 23.1 | 541.2 | 28.2 | 634.1 | 33.8 | 714.7 | 39.0 |
| | 35 | 319.1 | 16.3 | 387.7 | 20.0 | 452.3 | 23.7 | 541.2 | 28.9 | 634.1 | 34.6 | 701.7 | 39.2 |
| | 40 | 319.1 | 16.7 | 387.7 | 20.5 | 452.3 | 24.3 | 541.2 | 29.6 | 634.1 | 35.4 | 694.2 | 39.7 |
| | 45 | 319.1 | 17.1 | 387.7 | 21.1 | 452.3 | 24.9 | 541.2 | 30.3 | 634.1 | 36.3 | 693.3 | 40.6 |
| | 50 | 319.1 | 17.6 | 387.7 | 21.6 | 452.3 | 25.5 | 541.2 | 31.1 | 634.1 | 37.2 | 692.9 | 41.7 |
| | 55 | 319.1 | 18.0 | 387.7 | 22.2 | 452.3 | 26.2 | 541.2 | 31.9 | 634.1 | 38.2 | 692.9 | 42.8 |
| | 60 | 319.1 | 18.5 | 387.7 | 22.8 | 452.3 | 26.9 | 541.2 | 32.8 | 634.1 | 39.3 | 692.6 | 43.9 |
| | 65 | 319.1 | 19.0 | 387.7 | 23.4 | 452.3 | 27.6 | 541.2 | 33.7 | 634.1 | 40.4 | 691.8 | 45.1 |
| | 70 | 319.1 | 20.7 | 387.7 | 25.5 | 452.3 | 30.1 | 541.2 | 36.6 | 634.1 | 43.9 | 689.7 | 48.9 |
| | 75 | 319.1 | 22.7 | 387.7 | 27.9 | 452.3 | 33.0 | 541.2 | 40.2 | 634.1 | 48.2 | 685.7 | 53.4 |
| | 80 | 319.1 | 25.0 | 387.7 | 30.7 | 452.3 | 36.2 | 541.2 | 44.2 | 634.1 | 52.9 | 679.0 | 58.0 |
| | 85 | 319.1 | 27.4 | 387.7 | 33.7 | 452.3 | 39.8 | 541.2 | 48.5 | 634.1 | 58.1 | 668.6 | 62.7 |
| | 90 | 319.1 | 30.0 | 387.7 | 36.9 | 452.3 | 43.6 | 541.2 | 53.1 | 634.1 | 63.6 | 653.5 | 67.1 |
| | 95 | 319.1 | 32.8 | 387.7 | 40.3 | 452.3 | 47.6 | 541.2 | 58.0 | 610.3 | 66.9 | 635.3 | 71.3 |
| | 100 | 319.1 | 35.6 | 387.7 | 43.8 | 452.3 | 51.7 | 541.2 | 63.0 | 595.7 | 70.9 | 607.1 | 74.0 |
| | 105 | 319.1 | 38.5 | 387.7 | 47.3 | 452.3 | 55.8 | 530.8 | 66.7 | 559.9 | 72.0 | 570.6 | 75.1 |
| | 110 | 319.1 | 41.2 | 387.7 | 50.6 | 452.3 | 59.8 | 499.4 | 67.2 | 514.3 | 70.8 | 524.2 | 73.9 |
| 115 | 319.1 | 43.6 | 387.7 | 53.5 | 417.6 | 58.4 | 444.3 | 63.3 | 457.5 | 66.6 | 466.2 | 69.5 | |
| 118 | 319.1 | 44.8 | 367.7 | 52.2 | 389.7 | 56.0 | 404.7 | 59.2 | 416.7 | 62.4 | 424.7 | 65.1 | |
| 125 | 262.7 | 38.5 | 274.2 | 40.6 | 283.8 | 42.5 | 294.7 | 45.0 | 303.4 | 47.4 | 309.3 | 49.5 | |
| 100% | -10 | 290.1 | 12.0 | 352.5 | 14.8 | 411.2 | 17.4 | 492.0 | 21.3 | 576.4 | 25.5 | 657.2 | 29.7 |
| | -5 | 290.1 | 12.8 | 352.5 | 15.7 | 411.2 | 18.5 | 492.0 | 22.6 | 576.4 | 27.1 | 657.2 | 31.6 |
| | 10 | 290.1 | 13.0 | 352.5 | 16.0 | 411.2 | 18.9 | 492.0 | 23.1 | 576.4 | 27.6 | 657.2 | 32.3 |
| | 15 | 290.1 | 13.3 | 352.5 | 16.4 | 411.2 | 19.4 | 492.0 | 23.6 | 576.4 | 28.3 | 657.2 | 33.0 |
| | 20 | 290.1 | 13.6 | 352.5 | 16.7 | 411.2 | 19.8 | 492.0 | 24.1 | 576.4 | 28.9 | 657.2 | 33.7 |
| | 25 | 290.1 | 13.9 | 352.5 | 17.1 | 411.2 | 20.2 | 492.0 | 24.7 | 576.4 | 29.5 | 657.2 | 34.5 |
| | 30 | 290.1 | 14.3 | 352.5 | 17.5 | 411.2 | 20.7 | 492.0 | 25.2 | 576.4 | 30.2 | 657.2 | 35.3 |
| | 35 | 290.1 | 14.6 | 352.5 | 18.0 | 411.2 | 21.2 | 492.0 | 25.8 | 576.4 | 30.9 | 657.2 | 36.1 |
| | 40 | 290.1 | 15.0 | 352.5 | 18.4 | 411.2 | 21.7 | 492.0 | 26.5 | 576.4 | 31.7 | 657.2 | 37.0 |
| | 45 | 290.1 | 15.3 | 352.5 | 18.9 | 411.2 | 22.3 | 492.0 | 27.1 | 576.4 | 32.5 | 657.2 | 38.0 |
| | 50 | 290.1 | 15.7 | 352.5 | 19.3 | 411.2 | 22.8 | 492.0 | 27.8 | 576.4 | 33.3 | 657.2 | 38.9 |
| | 55 | 290.1 | 16.2 | 352.5 | 19.9 | 411.2 | 23.4 | 492.0 | 28.6 | 576.4 | 34.2 | 657.2 | 40.0 |
| | 60 | 290.1 | 16.6 | 352.5 | 20.4 | 411.2 | 24.1 | 492.0 | 29.3 | 576.4 | 35.2 | 657.2 | 41.0 |
| | 65 | 290.1 | 17.1 | 352.5 | 21.0 | 411.2 | 24.7 | 492.0 | 30.2 | 576.4 | 36.1 | 657.2 | 42.2 |
| | 70 | 290.1 | 18.6 | 352.5 | 22.8 | 411.2 | 26.9 | 492.0 | 32.8 | 576.4 | 39.3 | 657.2 | 45.9 |
| | 75 | 290.1 | 20.4 | 352.5 | 25.0 | 411.2 | 29.6 | 492.0 | 36.0 | 576.4 | 43.1 | 657.2 | 50.4 |
| | 80 | 290.1 | 22.4 | 352.5 | 27.5 | 411.2 | 32.4 | 492.0 | 39.5 | 576.4 | 47.4 | 657.2 | 55.3 |
| | 85 | 290.1 | 24.5 | 352.5 | 30.2 | 411.2 | 35.6 | 492.0 | 43.4 | 576.4 | 52.0 | 655.5 | 60.5 |
| | 90 | 290.1 | 26.9 | 352.5 | 33.0 | 411.2 | 39.0 | 492.0 | 47.5 | 576.4 | 56.9 | 640.6 | 64.8 |
| | 95 | 290.1 | 29.4 | 352.5 | 36.1 | 411.2 | 42.6 | 492.0 | 51.9 | 576.4 | 62.2 | 620.1 | 68.5 |
| | 100 | 290.1 | 31.9 | 352.5 | 39.2 | 411.2 | 46.3 | 492.0 | 56.4 | 576.4 | 67.6 | 607.1 | 72.9 |
| | 105 | 290.1 | 34.5 | 352.5 | 42.3 | 411.2 | 50.0 | 492.0 | 60.9 | 546.5 | 69.2 | 570.6 | 74.0 |
| | 110 | 290.1 | 36.9 | 352.5 | 45.3 | 411.2 | 53.5 | 487.6 | 64.6 | 514.3 | 69.7 | 524.2 | 72.8 |
| 115 | 290.1 | 39.0 | 352.5 | 47.9 | 411.2 | 56.6 | 444.3 | 62.3 | 457.5 | 65.6 | 466.2 | 68.5 | |
| 118 | 290.1 | 40.1 | 352.5 | 49.3 | 380.4 | 53.8 | 404.7 | 58.4 | 416.7 | 61.4 | 424.7 | 64.1 | |
| 125 | 262.7 | 37.9 | 274.2 | 40.0 | 283.8 | 41.9 | 294.7 | 44.3 | 303.4 | 46.7 | 309.3 | 48.7 | |

NOTE - Power Input = Compressor + Outdoor Fan Motor.
MBH = 1000 BTUs per hour.

COOLING CAPACITY - THREE MODULE | VRB504H4

| Combination (%) | Outdoor Temperature °F (Dry Bulb) | Indoor Temperature - °F (Dry Bulb / Wet Bulb) | | | | | | | | | | | |
|-----------------|-----------------------------------|---|-------------|------------|-------------|------------|-------------|------------|-------------|------------|-------------|------------|-------------|
| | | 67 / 57 | | 71 / 60 | | 75 / 63 | | 80 / 67 | | 85 / 71 | | 90 / 75 | |
| | | Total Cap. | Power Input | Total Cap. | Power Input | Total Cap. | Power Input | Total Cap. | Power Input | Total Cap. | Power Input | Total Cap. | Power Input |
| | | MBH | kW | MBH | kW | MBH | kW | MBH | kW | MBH | kW | MBH | kW |
| 90% | -10 | 261.1 | 10.7 | 317.2 | 13.1 | 370.1 | 15.5 | 442.8 | 18.9 | 518.8 | 22.6 | 591.5 | 26.4 |
| | -5 | 261.1 | 11.3 | 317.2 | 13.9 | 370.1 | 16.4 | 442.8 | 20.0 | 518.8 | 24.0 | 591.5 | 28.0 |
| | 10 | 261.1 | 11.6 | 317.2 | 14.2 | 370.1 | 16.8 | 442.8 | 20.5 | 518.8 | 24.5 | 591.5 | 28.6 |
| | 15 | 261.1 | 11.8 | 317.2 | 14.5 | 370.1 | 17.2 | 442.8 | 20.9 | 518.8 | 25.1 | 591.5 | 29.3 |
| | 20 | 261.1 | 12.1 | 317.2 | 14.8 | 370.1 | 17.5 | 442.8 | 21.4 | 518.8 | 25.6 | 591.5 | 29.9 |
| | 25 | 261.1 | 12.4 | 317.2 | 15.2 | 370.1 | 17.9 | 442.8 | 21.9 | 518.8 | 26.2 | 591.5 | 30.6 |
| | 30 | 261.1 | 12.6 | 317.2 | 15.5 | 370.1 | 18.4 | 442.8 | 22.4 | 518.8 | 26.8 | 591.5 | 31.3 |
| | 35 | 261.1 | 13.0 | 317.2 | 15.9 | 370.1 | 18.8 | 442.8 | 22.9 | 518.8 | 27.4 | 591.5 | 32.0 |
| | 40 | 261.1 | 13.3 | 317.2 | 16.3 | 370.1 | 19.3 | 442.8 | 23.5 | 518.8 | 28.1 | 591.5 | 32.8 |
| | 45 | 261.1 | 13.6 | 317.2 | 16.7 | 370.1 | 19.7 | 442.8 | 24.1 | 518.8 | 28.8 | 591.5 | 33.7 |
| | 50 | 261.1 | 14.0 | 317.2 | 17.1 | 370.1 | 20.2 | 442.8 | 24.7 | 518.8 | 29.6 | 591.5 | 34.5 |
| | 55 | 261.1 | 14.3 | 317.2 | 17.6 | 370.1 | 20.8 | 442.8 | 25.3 | 518.8 | 30.3 | 591.5 | 35.4 |
| | 60 | 261.1 | 14.7 | 317.2 | 18.1 | 370.1 | 21.3 | 442.8 | 26.0 | 518.8 | 31.2 | 591.5 | 36.4 |
| | 65 | 261.1 | 15.1 | 317.2 | 18.6 | 370.1 | 21.9 | 442.8 | 26.7 | 518.8 | 32.0 | 591.5 | 37.4 |
| | 70 | 261.1 | 16.4 | 317.2 | 20.2 | 370.1 | 23.9 | 442.8 | 29.1 | 518.8 | 34.9 | 591.5 | 40.7 |
| | 75 | 261.1 | 18.1 | 317.2 | 22.2 | 370.1 | 26.2 | 442.8 | 31.9 | 518.8 | 38.3 | 591.5 | 44.7 |
| | 80 | 261.1 | 19.8 | 317.2 | 24.4 | 370.1 | 28.8 | 442.8 | 35.1 | 518.8 | 42.0 | 591.5 | 49.0 |
| | 85 | 261.1 | 21.8 | 317.2 | 26.7 | 370.1 | 31.6 | 442.8 | 38.5 | 518.8 | 46.1 | 591.5 | 53.8 |
| | 90 | 261.1 | 23.8 | 317.2 | 29.3 | 370.1 | 34.6 | 442.8 | 42.2 | 518.8 | 50.5 | 591.5 | 59.0 |
| | 80% | 95 | 261.1 | 26.0 | 317.2 | 32.0 | 370.1 | 37.8 | 442.8 | 46.0 | 518.8 | 55.2 | 591.5 |
| 100 | | 261.1 | 28.3 | 317.2 | 34.8 | 370.1 | 41.1 | 442.8 | 50.1 | 518.8 | 60.0 | 591.5 | 70.0 |
| 105 | | 261.1 | 30.6 | 317.2 | 37.6 | 370.1 | 44.3 | 442.8 | 54.0 | 518.8 | 64.7 | 557.0 | 71.2 |
| 110 | | 261.1 | 32.7 | 317.2 | 40.2 | 370.1 | 47.4 | 442.8 | 57.8 | 502.0 | 67.0 | 524.2 | 71.7 |
| 115 | | 261.1 | 34.6 | 317.2 | 42.5 | 370.1 | 50.2 | 433.7 | 59.9 | 457.5 | 64.6 | 466.2 | 67.5 |
| 118 | | 261.1 | 35.6 | 317.2 | 43.7 | 370.1 | 51.6 | 404.7 | 57.5 | 416.7 | 60.5 | 424.7 | 63.2 |
| 125 | | 256.4 | 36.4 | 274.2 | 39.4 | 283.8 | 41.3 | 294.7 | 43.7 | 303.4 | 46.0 | 309.3 | 48.0 |
| -10 | | 232.0 | 9.3 | 282.0 | 11.5 | 329.0 | 13.5 | 393.6 | 16.5 | 461.2 | 19.8 | 525.8 | 23.1 |
| -5 | | 232.0 | 9.9 | 282.0 | 12.2 | 329.0 | 14.4 | 393.6 | 17.5 | 461.2 | 21.0 | 525.8 | 24.5 |
| 10 | | 232.0 | 10.1 | 282.0 | 12.5 | 329.0 | 14.7 | 393.6 | 17.9 | 461.2 | 21.5 | 525.8 | 25.1 |
| 15 | | 232.0 | 10.4 | 282.0 | 12.7 | 329.0 | 15.0 | 393.6 | 18.3 | 461.2 | 21.9 | 525.8 | 25.6 |
| 20 | | 232.0 | 10.6 | 282.0 | 13.0 | 329.0 | 15.4 | 393.6 | 18.7 | 461.2 | 22.4 | 525.8 | 26.2 |
| 25 | | 232.0 | 10.8 | 282.0 | 13.3 | 329.0 | 15.7 | 393.6 | 19.2 | 461.2 | 22.9 | 525.8 | 26.8 |
| 30 | | 232.0 | 11.1 | 282.0 | 13.6 | 329.0 | 16.1 | 393.6 | 19.6 | 461.2 | 23.5 | 525.8 | 27.4 |
| 35 | | 232.0 | 11.3 | 282.0 | 13.9 | 329.0 | 16.5 | 393.6 | 20.1 | 461.2 | 24.0 | 525.8 | 28.1 |
| 40 | | 232.0 | 11.6 | 282.0 | 14.3 | 329.0 | 16.9 | 393.6 | 20.6 | 461.2 | 24.6 | 525.8 | 28.8 |
| 45 | | 232.0 | 11.9 | 282.0 | 14.6 | 329.0 | 17.3 | 393.6 | 21.1 | 461.2 | 25.2 | 525.8 | 29.5 |
| 50 | | 232.0 | 12.2 | 282.0 | 15.0 | 329.0 | 17.7 | 393.6 | 21.6 | 461.2 | 25.9 | 525.8 | 30.2 |
| 55 | | 232.0 | 12.5 | 282.0 | 15.4 | 329.0 | 18.2 | 393.6 | 22.2 | 461.2 | 26.6 | 525.8 | 31.0 |
| 60 | | 232.0 | 12.9 | 282.0 | 15.8 | 329.0 | 18.7 | 393.6 | 22.8 | 461.2 | 27.3 | 525.8 | 31.9 |
| 65 | 232.0 | 13.2 | 282.0 | 16.3 | 329.0 | 19.2 | 393.6 | 23.4 | 461.2 | 28.1 | 525.8 | 32.8 | |
| 70 | 232.0 | 14.4 | 282.0 | 17.7 | 329.0 | 20.9 | 393.6 | 25.5 | 461.2 | 30.5 | 525.8 | 35.6 | |
| 75 | 232.0 | 15.8 | 282.0 | 19.4 | 329.0 | 23.0 | 393.6 | 28.0 | 461.2 | 33.5 | 525.8 | 39.1 | |
| 80 | 232.0 | 17.4 | 282.0 | 21.3 | 329.0 | 25.2 | 393.6 | 30.7 | 461.2 | 36.8 | 525.8 | 43.0 | |
| 85 | 232.0 | 19.1 | 282.0 | 23.4 | 329.0 | 27.7 | 393.6 | 33.7 | 461.2 | 40.4 | 525.8 | 47.1 | |
| 90 | 232.0 | 20.9 | 282.0 | 25.7 | 329.0 | 30.3 | 393.6 | 36.9 | 461.2 | 44.2 | 525.8 | 51.7 | |
| 95 | 232.0 | 22.8 | 282.0 | 28.0 | 329.0 | 33.1 | 393.6 | 40.3 | 461.2 | 48.3 | 525.8 | 56.4 | |
| 100 | 232.0 | 24.8 | 282.0 | 30.5 | 329.0 | 36.0 | 393.6 | 43.8 | 461.2 | 52.5 | 525.8 | 61.3 | |
| 105 | 232.0 | 26.8 | 282.0 | 32.9 | 329.0 | 38.8 | 393.6 | 47.3 | 461.2 | 56.7 | 525.8 | 66.2 | |
| 110 | 232.0 | 28.6 | 282.0 | 35.2 | 329.0 | 41.6 | 393.6 | 50.7 | 461.2 | 60.7 | 511.7 | 69.0 | |
| 115 | 232.0 | 30.3 | 282.0 | 37.2 | 329.0 | 44.0 | 393.6 | 53.6 | 446.6 | 62.2 | 466.2 | 66.5 | |
| 118 | 232.0 | 31.2 | 282.0 | 38.3 | 329.0 | 45.2 | 393.6 | 55.1 | 416.7 | 59.6 | 424.7 | 62.3 | |
| 125 | 232.0 | 32.5 | 267.7 | 37.9 | 283.8 | 40.7 | 294.7 | 43.0 | 303.4 | 45.3 | 309.3 | 47.3 | |

NOTE - Power Input = Compressor + Outdoor Fan Motor.
MBH = 1000 BTUs per hour.

COOLING CAPACITY - THREE MODULE | VRB504H4

| Combination (%) | Outdoor Temperature °F (Dry Bulb) | Indoor Temperature - °F (Dry Bulb / Wet Bulb) | | | | | | | | | | | |
|-----------------|-----------------------------------|---|-------------|------------|-------------|------------|-------------|------------|-------------|------------|-------------|------------|-------------|
| | | 67 / 57 | | 71 / 60 | | 75 / 63 | | 80 / 67 | | 85 / 71 | | 90 / 75 | |
| | | Total Cap. | Power Input | Total Cap. | Power Input | Total Cap. | Power Input | Total Cap. | Power Input | Total Cap. | Power Input | Total Cap. | Power Input |
| | | MBH | KW | MBH | KW | MBH | KW | MBH | KW | MBH | KW | MBH | KW |
| 70% | -10 | 203.0 | 8.1 | 246.7 | 9.9 | 287.9 | 11.7 | 344.4 | 14.2 | 403.5 | 17.1 | 460.1 | 19.9 |
| | -5 | 203.0 | 8.6 | 246.7 | 10.5 | 287.9 | 12.4 | 344.4 | 15.1 | 403.5 | 18.1 | 460.1 | 21.2 |
| | 10 | 203.0 | 8.7 | 246.7 | 10.7 | 287.9 | 12.7 | 344.4 | 15.5 | 403.5 | 18.5 | 460.1 | 21.6 |
| | 15 | 203.0 | 8.9 | 246.7 | 11.0 | 287.9 | 13.0 | 344.4 | 15.8 | 403.5 | 18.9 | 460.1 | 22.1 |
| | 20 | 203.0 | 9.1 | 246.7 | 11.2 | 287.9 | 13.2 | 344.4 | 16.1 | 403.5 | 19.3 | 460.1 | 22.6 |
| | 25 | 203.0 | 9.3 | 246.7 | 11.5 | 287.9 | 13.6 | 344.4 | 16.5 | 403.5 | 19.8 | 460.1 | 23.1 |
| | 30 | 203.0 | 9.6 | 246.7 | 11.7 | 287.9 | 13.9 | 344.4 | 16.9 | 403.5 | 20.2 | 460.1 | 23.6 |
| | 35 | 203.0 | 9.8 | 246.7 | 12.0 | 287.9 | 14.2 | 344.4 | 17.3 | 403.5 | 20.7 | 460.1 | 24.2 |
| | 40 | 203.0 | 10.0 | 246.7 | 12.3 | 287.9 | 14.5 | 344.4 | 17.7 | 403.5 | 21.2 | 460.1 | 24.8 |
| | 45 | 203.0 | 10.3 | 246.7 | 12.6 | 287.9 | 14.9 | 344.4 | 18.2 | 403.5 | 21.8 | 460.1 | 25.4 |
| | 50 | 203.0 | 10.5 | 246.7 | 13.0 | 287.9 | 15.3 | 344.4 | 18.6 | 403.5 | 22.3 | 460.1 | 26.1 |
| | 55 | 203.0 | 10.8 | 246.7 | 13.3 | 287.9 | 15.7 | 344.4 | 19.1 | 403.5 | 22.9 | 460.1 | 26.8 |
| | 60 | 203.0 | 11.1 | 246.7 | 13.7 | 287.9 | 16.1 | 344.4 | 19.7 | 403.5 | 23.5 | 460.1 | 27.5 |
| | 65 | 203.0 | 11.4 | 246.7 | 14.0 | 287.9 | 16.6 | 344.4 | 20.2 | 403.5 | 24.2 | 460.1 | 28.3 |
| | 70 | 203.0 | 12.4 | 246.7 | 15.3 | 287.9 | 18.0 | 344.4 | 22.0 | 403.5 | 26.3 | 460.1 | 30.7 |
| | 75 | 203.0 | 13.6 | 246.7 | 16.8 | 287.9 | 19.8 | 344.4 | 24.1 | 403.5 | 28.9 | 460.1 | 33.7 |
| | 80 | 203.0 | 15.0 | 246.7 | 18.4 | 287.9 | 21.7 | 344.4 | 26.5 | 403.5 | 31.7 | 460.1 | 37.1 |
| | 85 | 203.0 | 16.4 | 246.7 | 20.2 | 287.9 | 23.8 | 344.4 | 29.1 | 403.5 | 34.8 | 460.1 | 40.7 |
| | 90 | 203.0 | 18.0 | 246.7 | 22.1 | 287.9 | 26.1 | 344.4 | 31.8 | 403.5 | 38.1 | 460.1 | 44.5 |
| | 95 | 203.0 | 19.7 | 246.7 | 24.2 | 287.9 | 28.5 | 344.4 | 34.8 | 403.5 | 41.7 | 460.1 | 48.7 |
| 100 | 203.0 | 21.4 | 246.7 | 26.3 | 287.9 | 31.0 | 344.4 | 37.8 | 403.5 | 45.3 | 460.1 | 52.9 | |
| 105 | 203.0 | 23.1 | 246.7 | 28.4 | 287.9 | 33.5 | 344.4 | 40.8 | 403.5 | 48.9 | 460.1 | 57.1 | |
| 110 | 203.0 | 24.7 | 246.7 | 30.4 | 287.9 | 35.8 | 344.4 | 43.7 | 403.5 | 52.3 | 460.1 | 61.1 | |
| 115 | 203.0 | 26.1 | 246.7 | 32.1 | 287.9 | 37.9 | 344.4 | 46.2 | 403.5 | 55.4 | 455.1 | 64.0 | |
| 118 | 203.0 | 26.9 | 246.7 | 33.0 | 287.9 | 39.0 | 344.4 | 47.5 | 403.5 | 56.9 | 424.7 | 61.4 | |
| 125 | 203.0 | 28.0 | 246.7 | 34.4 | 277.0 | 39.1 | 294.7 | 42.4 | 303.4 | 44.7 | 309.3 | 46.6 | |
| 60% | -10 | 174.0 | 6.8 | 211.5 | 8.4 | 246.7 | 9.9 | 295.2 | 12.0 | 345.9 | 14.4 | 394.3 | 16.8 |
| | -5 | 174.0 | 7.2 | 211.5 | 8.9 | 246.7 | 10.5 | 295.2 | 12.8 | 345.9 | 15.3 | 394.3 | 17.9 |
| | 10 | 174.0 | 7.4 | 211.5 | 9.1 | 246.7 | 10.7 | 295.2 | 13.1 | 345.9 | 15.6 | 394.3 | 18.3 |
| | 15 | 174.0 | 7.5 | 211.5 | 9.3 | 246.7 | 11.0 | 295.2 | 13.4 | 345.9 | 16.0 | 394.3 | 18.7 |
| | 20 | 174.0 | 7.7 | 211.5 | 9.5 | 246.7 | 11.2 | 295.2 | 13.6 | 345.9 | 16.3 | 394.3 | 19.1 |
| | 25 | 174.0 | 7.9 | 211.5 | 9.7 | 246.7 | 11.5 | 295.2 | 14.0 | 345.9 | 16.7 | 394.3 | 19.5 |
| | 30 | 174.0 | 8.1 | 211.5 | 9.9 | 246.7 | 11.7 | 295.2 | 14.3 | 345.9 | 17.1 | 394.3 | 20.0 |
| | 35 | 174.0 | 8.3 | 211.5 | 10.2 | 246.7 | 12.0 | 295.2 | 14.6 | 345.9 | 17.5 | 394.3 | 20.5 |
| | 40 | 174.0 | 8.5 | 211.5 | 10.4 | 246.7 | 12.3 | 295.2 | 15.0 | 345.9 | 17.9 | 394.3 | 21.0 |
| | 45 | 174.0 | 8.7 | 211.5 | 10.7 | 246.7 | 12.6 | 295.2 | 15.4 | 345.9 | 18.4 | 394.3 | 21.5 |
| | 50 | 174.0 | 8.9 | 211.5 | 10.9 | 246.7 | 12.9 | 295.2 | 15.8 | 345.9 | 18.9 | 394.3 | 22.0 |
| | 55 | 174.0 | 9.1 | 211.5 | 11.2 | 246.7 | 13.3 | 295.2 | 16.2 | 345.9 | 19.4 | 394.3 | 22.6 |
| | 60 | 174.0 | 9.4 | 211.5 | 11.5 | 246.7 | 13.6 | 295.2 | 16.6 | 345.9 | 19.9 | 394.3 | 23.2 |
| | 65 | 174.0 | 9.7 | 211.5 | 11.9 | 246.7 | 14.0 | 295.2 | 17.1 | 345.9 | 20.5 | 394.3 | 23.9 |
| | 70 | 174.0 | 10.5 | 211.5 | 12.9 | 246.7 | 15.2 | 295.2 | 18.6 | 345.9 | 22.2 | 394.3 | 26.0 |
| | 75 | 174.0 | 11.5 | 211.5 | 14.2 | 246.7 | 16.7 | 295.2 | 20.4 | 345.9 | 24.4 | 394.3 | 28.5 |
| | 80 | 174.0 | 12.7 | 211.5 | 15.6 | 246.7 | 18.4 | 295.2 | 22.4 | 345.9 | 26.8 | 394.3 | 31.3 |
| | 85 | 174.0 | 13.9 | 211.5 | 17.1 | 246.7 | 20.2 | 295.2 | 24.6 | 345.9 | 29.4 | 394.3 | 34.4 |
| | 90 | 174.0 | 15.2 | 211.5 | 18.7 | 246.7 | 22.1 | 295.2 | 26.9 | 345.9 | 32.2 | 394.3 | 37.6 |
| | 95 | 174.0 | 16.6 | 211.5 | 20.4 | 246.7 | 24.1 | 295.2 | 29.4 | 345.9 | 35.2 | 394.3 | 41.1 |
| 100 | 174.0 | 18.1 | 211.5 | 22.2 | 246.7 | 26.2 | 295.2 | 32.0 | 345.9 | 38.3 | 394.3 | 44.7 | |
| 105 | 174.0 | 19.5 | 211.5 | 24.0 | 246.7 | 28.3 | 295.2 | 34.5 | 345.9 | 41.3 | 394.3 | 48.3 | |
| 110 | 174.0 | 20.9 | 211.5 | 25.7 | 246.7 | 30.3 | 295.2 | 36.9 | 345.9 | 44.2 | 394.3 | 51.6 | |
| 115 | 174.0 | 22.1 | 211.5 | 27.1 | 246.7 | 32.0 | 295.2 | 39.1 | 345.9 | 46.8 | 394.3 | 54.6 | |
| 118 | 174.0 | 22.7 | 211.5 | 27.9 | 246.7 | 32.9 | 295.2 | 40.2 | 345.9 | 48.1 | 394.3 | 56.2 | |
| 125 | 174.0 | 23.7 | 211.5 | 29.1 | 246.7 | 34.4 | 287.7 | 40.8 | 303.4 | 44.0 | 309.3 | 46.0 | |

NOTE - Power Input = Compressor + Outdoor Fan Motor.
MBH = 1000 BTUs per hour.

COOLING CAPACITY - THREE MODULE | VRB504H4

| Combination (%) | Outdoor Temperature °F (Dry Bulb) | Indoor Temperature - °F (Dry Bulb / Wet Bulb) | | | | | | | | | | | |
|-----------------|-----------------------------------|---|-------------|------------|-------------|------------|-------------|------------|-------------|------------|-------------|------------|-------------|
| | | 67 / 57 | | 71 / 60 | | 75 / 63 | | 80 / 67 | | 85 / 71 | | 90 / 75 | |
| | | Total Cap. | Power Input | Total Cap. | Power Input | Total Cap. | Power Input | Total Cap. | Power Input | Total Cap. | Power Input | Total Cap. | Power Input |
| | | MBH | kW | MBH | kW | MBH | kW | MBH | kW | MBH | kW | MBH | kW |
| 50% | -10 | 139.7 | 5.4 | 176.2 | 6.9 | 205.6 | 8.1 | 246.0 | 9.9 | 288.2 | 11.8 | 328.6 | 13.8 |
| | -5 | 145.0 | 5.9 | 176.2 | 7.3 | 205.6 | 8.6 | 246.0 | 10.5 | 288.2 | 12.6 | 328.6 | 14.7 |
| | 10 | 145.0 | 6.1 | 176.2 | 7.5 | 205.6 | 8.8 | 246.0 | 10.7 | 288.2 | 12.9 | 328.6 | 15.0 |
| | 15 | 145.0 | 6.2 | 176.2 | 7.6 | 205.6 | 9.0 | 246.0 | 11.0 | 288.2 | 13.1 | 328.6 | 15.3 |
| | 20 | 145.0 | 6.3 | 176.2 | 7.8 | 205.6 | 9.2 | 246.0 | 11.2 | 288.2 | 13.4 | 328.6 | 15.7 |
| | 25 | 145.0 | 6.5 | 176.2 | 8.0 | 205.6 | 9.4 | 246.0 | 11.5 | 288.2 | 13.7 | 328.6 | 16.0 |
| | 30 | 145.0 | 6.6 | 176.2 | 8.2 | 205.6 | 9.6 | 246.0 | 11.7 | 288.2 | 14.1 | 328.6 | 16.4 |
| | 35 | 145.0 | 6.8 | 176.2 | 8.3 | 205.6 | 9.9 | 246.0 | 12.0 | 288.2 | 14.4 | 328.6 | 16.8 |
| | 40 | 145.0 | 7.0 | 176.2 | 8.6 | 205.6 | 10.1 | 246.0 | 12.3 | 288.2 | 14.7 | 328.6 | 17.2 |
| | 45 | 145.0 | 7.1 | 176.2 | 8.8 | 205.6 | 10.4 | 246.0 | 12.6 | 288.2 | 15.1 | 328.6 | 17.7 |
| | 50 | 145.0 | 7.3 | 176.2 | 9.0 | 205.6 | 10.6 | 246.0 | 12.9 | 288.2 | 15.5 | 328.6 | 18.1 |
| | 55 | 145.0 | 7.5 | 176.2 | 9.2 | 205.6 | 10.9 | 246.0 | 13.3 | 288.2 | 15.9 | 328.6 | 18.6 |
| | 60 | 145.0 | 7.7 | 176.2 | 9.5 | 205.6 | 11.2 | 246.0 | 13.6 | 288.2 | 16.4 | 328.6 | 19.1 |
| | 65 | 145.0 | 7.9 | 176.2 | 9.7 | 205.6 | 11.5 | 246.0 | 14.0 | 288.2 | 16.8 | 328.6 | 19.6 |
| | 70 | 145.0 | 8.6 | 176.2 | 10.6 | 205.6 | 12.5 | 246.0 | 15.3 | 288.2 | 18.3 | 328.6 | 21.3 |
| | 75 | 145.0 | 9.5 | 176.2 | 11.6 | 205.6 | 13.7 | 246.0 | 16.8 | 288.2 | 20.1 | 328.6 | 23.4 |
| | 80 | 145.0 | 10.4 | 176.2 | 12.8 | 205.6 | 15.1 | 246.0 | 18.4 | 288.2 | 22.0 | 328.6 | 25.7 |
| | 85 | 145.0 | 11.4 | 176.2 | 14.0 | 205.6 | 16.6 | 246.0 | 20.2 | 288.2 | 24.2 | 328.6 | 28.2 |
| | 90 | 145.0 | 12.5 | 176.2 | 15.4 | 205.6 | 18.1 | 246.0 | 22.1 | 288.2 | 26.5 | 328.6 | 30.9 |
| | 95 | 145.0 | 13.7 | 176.2 | 16.8 | 205.6 | 19.8 | 246.0 | 24.2 | 288.2 | 28.9 | 328.6 | 33.8 |
| 100 | 145.0 | 14.8 | 176.2 | 18.2 | 205.6 | 21.5 | 246.0 | 26.3 | 288.2 | 31.4 | 328.6 | 36.7 | |
| 105 | 145.0 | 16.0 | 176.2 | 19.7 | 205.6 | 23.3 | 246.0 | 28.3 | 288.2 | 34.0 | 328.6 | 39.7 | |
| 110 | 145.0 | 17.1 | 176.2 | 21.1 | 205.6 | 24.9 | 246.0 | 30.3 | 288.2 | 36.3 | 328.6 | 42.4 | |
| 115 | 145.0 | 18.1 | 176.2 | 22.3 | 205.6 | 26.3 | 246.0 | 32.1 | 288.2 | 38.4 | 328.6 | 44.9 | |
| 118 | 145.0 | 18.7 | 176.2 | 22.9 | 205.6 | 27.1 | 246.0 | 33.0 | 288.2 | 39.5 | 328.6 | 46.2 | |
| 125 | 145.0 | 19.5 | 176.2 | 23.9 | 205.6 | 28.2 | 246.0 | 34.4 | 288.2 | 41.2 | 309.3 | 45.3 | |

NOTE - Power Input = Compressor + Outdoor Fan Motor.
 MBH = 1000 BTUs per hour.

HEATING CAPACITY - THREE MODULE | VRB504H4

| Combination (%) | Outdoor Temperature (°F) | | Indoor Temperature - °F Dry Bulb | | | | | | | | | | | |
|-----------------|--------------------------|-----|----------------------------------|-------------|------------|-------------|------------|-------------|------------|-------------|------------|-------------|------------|-------------|
| | | | 61 | | 64 | | 67 | | 70 | | 73 | | 75 | |
| | | | Total Cap. | Power Input | Total Cap. | Power Input | Total Cap. | Power Input | Total Cap. | Power Input | Total Cap. | Power Input | Total Cap. | Power Input |
| | MBH | kW | MBH | kW | MBH | kW | MBH | kW | MBH | kW | MBH | kW | | |
| Dry Bulb | Wet Bulb | MBH | kW | MBH | kW | MBH | kW | MBH | kW | MBH | kW | MBH | kW | |
| 130% | -13 | -14 | 301.0 | 41.9 | 300.2 | 43.0 | 299.5 | 44.1 | 298.7 | 45.4 | 297.9 | 46.8 | 297.4 | 47.7 |
| | -8 | -9 | 313.4 | 43.6 | 312.6 | 44.8 | 311.8 | 46.0 | 311.0 | 47.3 | 310.2 | 48.7 | 309.7 | 49.7 |
| | -3 | -4 | 332.6 | 46.0 | 331.7 | 47.2 | 330.9 | 48.5 | 330.1 | 49.9 | 329.2 | 51.3 | 328.7 | 52.4 |
| | 2 | 1 | 356.7 | 48.7 | 355.8 | 50.0 | 355.0 | 51.3 | 354.1 | 52.8 | 353.2 | 54.3 | 352.6 | 55.4 |
| | 7 | 6 | 384.2 | 51.5 | 383.2 | 52.9 | 382.3 | 54.2 | 381.3 | 55.7 | 380.4 | 57.3 | 379.7 | 58.4 |
| | 12 | 10 | 413.5 | 54.2 | 412.5 | 55.5 | 411.5 | 56.9 | 410.4 | 58.4 | 409.3 | 60.1 | 408.7 | 61.2 |
| | 17 | 15 | 443.3 | 56.4 | 442.2 | 57.8 | 441.1 | 59.2 | 440.0 | 60.7 | 438.8 | 62.4 | 438.1 | 63.5 |
| | 22 | 20 | 472.5 | 58.1 | 471.3 | 59.5 | 470.1 | 60.9 | 468.9 | 62.4 | 467.7 | 64.0 | 467.0 | 65.1 |
| | 27 | 24 | 500.1 | 59.3 | 498.9 | 60.6 | 497.7 | 61.9 | 496.4 | 63.4 | 495.1 | 65.0 | 494.3 | 66.0 |
| | 32 | 29 | 525.5 | 59.7 | 524.2 | 61.0 | 522.9 | 62.3 | 521.6 | 63.7 | 520.5 | 64.7 | 519.4 | 63.5 |
| | 37 | 34 | 548.0 | 59.6 | 546.6 | 60.8 | 545.3 | 62.0 | 544.2 | 62.0 | 543.1 | 60.6 | 542.0 | 59.7 |
| | 42 | 38 | 567.3 | 58.8 | 566.2 | 60.0 | 565.1 | 59.1 | 564.0 | 58.0 | 562.9 | 57.0 | 561.8 | 56.3 |
| | 47 | 43 | 602.0 | 58.8 | 600.9 | 57.9 | 599.8 | 57.0 | 598.7 | 56.2 | 597.6 | 55.4 | 596.5 | 54.8 |
| | 52 | 47 | 662.4 | 58.9 | 661.3 | 58.2 | 660.2 | 57.5 | 659.1 | 56.8 | 658.0 | 56.2 | 641.2 | 54.4 |
| | 57 | 52 | 720.9 | 58.8 | 719.8 | 58.3 | 718.7 | 57.8 | 715.7 | 57.1 | 670.5 | 53.1 | 641.2 | 50.5 |
| | 62 | 56 | 777.2 | 58.6 | 776.1 | 58.2 | 761.0 | 56.8 | 715.7 | 53.1 | 670.5 | 49.5 | 641.2 | 47.2 |
| | 67 | 61 | 831.3 | 58.3 | 803.5 | 56.1 | 761.0 | 53.0 | 715.7 | 49.7 | 670.5 | 46.4 | 641.2 | 44.2 |
| | 72 | 66 | 848.8 | 55.6 | 803.5 | 52.5 | 761.0 | 49.7 | 715.7 | 46.6 | 670.5 | 43.6 | 641.2 | 41.6 |
| | 75 | 69 | 848.8 | 53.5 | 803.5 | 50.6 | 761.0 | 47.9 | 715.7 | 45.0 | 670.5 | 42.1 | 641.2 | 40.2 |
| | 80 | 74 | 848.8 | 50.3 | 803.5 | 47.6 | 761.0 | 45.1 | 715.7 | 42.5 | 670.5 | 39.8 | 641.2 | 38.1 |
| 120% | -13 | -14 | 299.8 | 41.1 | 299.0 | 42.2 | 298.3 | 43.3 | 297.5 | 44.5 | 296.8 | 45.9 | 296.3 | 46.8 |
| | -8 | -9 | 312.1 | 42.8 | 311.3 | 43.9 | 310.6 | 45.1 | 309.8 | 46.4 | 309.0 | 47.8 | 308.5 | 48.7 |
| | -3 | -4 | 331.3 | 45.1 | 330.4 | 46.3 | 329.6 | 47.5 | 328.8 | 48.9 | 327.9 | 50.4 | 327.4 | 51.3 |
| | 2 | 1 | 355.3 | 47.8 | 354.4 | 49.1 | 353.6 | 50.3 | 352.7 | 51.8 | 351.8 | 53.3 | 351.2 | 54.3 |
| | 7 | 6 | 382.7 | 50.5 | 381.7 | 51.9 | 380.8 | 53.2 | 379.8 | 54.6 | 378.9 | 56.2 | 378.2 | 57.3 |
| | 12 | 10 | 411.9 | 53.1 | 410.8 | 54.5 | 409.8 | 55.8 | 408.8 | 57.3 | 407.7 | 58.9 | 407.0 | 60.0 |
| | 17 | 15 | 441.6 | 55.3 | 440.4 | 56.7 | 439.4 | 58.0 | 438.2 | 59.5 | 437.1 | 61.1 | 436.4 | 62.2 |
| | 22 | 20 | 470.6 | 57.0 | 469.4 | 58.4 | 468.3 | 59.7 | 467.1 | 61.2 | 465.9 | 62.8 | 465.1 | 63.8 |
| | 27 | 24 | 498.2 | 58.1 | 496.9 | 59.4 | 495.7 | 60.7 | 494.4 | 62.2 | 493.1 | 63.7 | 492.3 | 64.8 |
| | 32 | 29 | 523.4 | 58.6 | 522.1 | 59.8 | 520.8 | 61.1 | 519.5 | 62.5 | 518.4 | 63.4 | 517.3 | 62.3 |
| | 37 | 34 | 545.9 | 58.4 | 544.5 | 59.6 | 543.1 | 60.8 | 542.0 | 60.8 | 540.9 | 59.4 | 539.8 | 58.5 |
| | 42 | 38 | 565.1 | 57.7 | 564.0 | 58.8 | 562.9 | 58.0 | 561.8 | 56.9 | 560.7 | 55.9 | 559.6 | 55.2 |
| | 47 | 43 | 602.0 | 57.8 | 600.9 | 57.0 | 599.8 | 56.2 | 598.7 | 55.3 | 597.6 | 54.5 | 591.9 | 53.5 |
| | 52 | 47 | 662.4 | 58.0 | 661.3 | 57.3 | 660.2 | 56.6 | 659.1 | 56.0 | 618.9 | 52.0 | 591.9 | 49.4 |
| | 57 | 52 | 720.9 | 57.9 | 719.8 | 57.4 | 702.4 | 55.6 | 660.7 | 51.9 | 618.9 | 48.3 | 591.9 | 45.9 |
| | 62 | 56 | 777.2 | 57.7 | 741.7 | 54.8 | 702.4 | 51.6 | 660.7 | 48.3 | 618.9 | 45.0 | 591.9 | 42.9 |
| | 67 | 61 | 783.5 | 54.1 | 741.7 | 51.0 | 702.4 | 48.2 | 660.7 | 45.1 | 618.9 | 42.1 | 591.9 | 40.2 |
| | 72 | 66 | 783.5 | 50.5 | 741.7 | 47.7 | 702.4 | 45.1 | 660.7 | 42.4 | 618.9 | 39.6 | 591.9 | 37.8 |
| | 75 | 69 | 783.5 | 48.6 | 741.7 | 46.0 | 702.4 | 43.5 | 660.7 | 40.9 | 618.9 | 38.3 | 591.9 | 36.6 |
| | 80 | 74 | 783.5 | 45.7 | 741.7 | 43.3 | 702.4 | 41.0 | 660.7 | 38.6 | 618.9 | 36.2 | 591.9 | 34.6 |
| 110% | -13 | -14 | 298.6 | 40.3 | 297.8 | 41.4 | 297.1 | 42.5 | 296.3 | 43.7 | 295.6 | 45.0 | 295.1 | 45.9 |
| | -8 | -9 | 310.9 | 41.9 | 310.1 | 43.1 | 309.3 | 44.2 | 308.6 | 45.5 | 307.8 | 46.9 | 307.2 | 47.8 |
| | -3 | -4 | 329.9 | 44.2 | 329.1 | 45.4 | 328.3 | 46.6 | 327.5 | 48.0 | 326.6 | 49.4 | 326.1 | 50.4 |
| | 2 | 1 | 353.9 | 46.9 | 353.0 | 48.1 | 352.2 | 49.4 | 351.3 | 50.8 | 350.4 | 52.3 | 349.8 | 53.3 |
| | 7 | 6 | 381.2 | 49.6 | 380.2 | 50.9 | 379.3 | 52.2 | 378.3 | 53.6 | 377.3 | 55.1 | 376.7 | 56.2 |
| | 12 | 10 | 410.2 | 52.1 | 409.2 | 53.4 | 408.2 | 54.7 | 407.2 | 56.2 | 406.1 | 57.8 | 405.4 | 58.9 |
| | 17 | 15 | 439.8 | 54.3 | 438.7 | 55.6 | 437.6 | 56.9 | 436.5 | 58.4 | 435.4 | 60.0 | 434.6 | 61.0 |
| | 22 | 20 | 468.8 | 55.9 | 467.6 | 57.2 | 466.4 | 58.6 | 465.2 | 60.0 | 464.0 | 61.6 | 463.3 | 62.6 |
| | 27 | 24 | 496.2 | 57.0 | 494.9 | 58.3 | 493.7 | 59.6 | 492.5 | 61.0 | 491.2 | 62.5 | 491.1 | 63.6 |
| | 32 | 29 | 521.3 | 57.5 | 520.0 | 58.7 | 518.8 | 59.9 | 517.4 | 61.3 | 516.3 | 62.2 | 515.2 | 61.1 |
| | 37 | 34 | 543.7 | 57.3 | 542.3 | 58.5 | 541.0 | 59.6 | 539.9 | 59.6 | 538.8 | 58.3 | 537.7 | 57.4 |
| | 42 | 38 | 562.8 | 56.5 | 561.7 | 57.7 | 560.6 | 56.9 | 559.5 | 55.8 | 558.4 | 54.8 | 542.6 | 52.7 |
| | 47 | 43 | 602.0 | 57.0 | 600.9 | 56.1 | 599.8 | 55.3 | 598.7 | 54.5 | 567.4 | 51.0 | 542.6 | 48.3 |
| | 52 | 47 | 662.4 | 57.1 | 661.3 | 56.4 | 643.9 | 54.4 | 605.6 | 50.6 | 567.4 | 47.0 | 542.6 | 44.6 |
| | 57 | 52 | 718.2 | 56.8 | 679.9 | 53.4 | 643.9 | 50.2 | 605.6 | 46.8 | 567.4 | 43.6 | 542.6 | 41.5 |
| | 62 | 56 | 718.2 | 52.5 | 679.9 | 49.4 | 643.9 | 46.6 | 605.6 | 43.6 | 567.4 | 40.6 | 542.6 | 38.7 |
| | 67 | 61 | 718.2 | 48.8 | 679.9 | 46.1 | 643.9 | 43.5 | 605.6 | 40.7 | 567.4 | 38.0 | 542.6 | 36.3 |
| | 72 | 66 | 718.2 | 45.6 | 679.9 | 43.1 | 643.9 | 40.7 | 605.6 | 38.2 | 567.4 | 35.8 | 542.6 | 34.2 |
| | 75 | 69 | 718.2 | 43.9 | 679.9 | 41.5 | 643.9 | 39.3 | 605.6 | 36.9 | 567.4 | 34.5 | 542.6 | 33.0 |
| | 80 | 74 | 718.2 | 41.3 | 679.9 | 39.1 | 643.9 | 37.0 | 605.6 | 34.8 | 567.4 | 32.7 | 542.6 | 31.2 |

NOTE - Power Input = Compressor + Outdoor Fan Motor.
MBH = 1000 BTUs per hour.

HEATING CAPACITY - THREE MODULE | VRB504H4

| Combination (%) | Outdoor Temperature (°F) | | Indoor Temperature - °F Dry Bulb | | | | | | | | | | | |
|-----------------|--------------------------|----------|----------------------------------|-------------|------------|-------------|------------|-------------|------------|-------------|------------|-------------|------------|-------------|
| | | | 61 | | 64 | | 67 | | 70 | | 73 | | 75 | |
| | | | Total Cap. | Power Input | Total Cap. | Power Input | Total Cap. | Power Input | Total Cap. | Power Input | Total Cap. | Power Input | Total Cap. | Power Input |
| | MBH | kW | MBH | kW | MBH | kW | MBH | kW | MBH | kW | MBH | kW | | |
| 100% | Dry Bulb | Wet Bulb | | | | | | | | | | | | |
| | -13 | -14 | 297.4 | 39.5 | 296.6 | 40.6 | 295.9 | 41.7 | 295.2 | 42.9 | 294.4 | 44.2 | 293.9 | 45.0 |
| | -8 | -9 | 309.7 | 41.1 | 308.9 | 42.3 | 308.1 | 43.4 | 307.3 | 44.6 | 306.5 | 46.0 | 306.0 | 46.9 |
| | -3 | -4 | 328.6 | 43.4 | 327.8 | 44.6 | 327.0 | 45.7 | 326.2 | 47.1 | 325.3 | 48.5 | 324.8 | 49.4 |
| | 2 | 1 | 352.5 | 46.0 | 351.6 | 47.2 | 350.8 | 48.4 | 349.9 | 49.8 | 349.0 | 51.3 | 348.4 | 52.3 |
| | 7 | 6 | 379.7 | 48.6 | 378.7 | 49.9 | 377.8 | 51.2 | 376.8 | 52.6 | 375.8 | 54.1 | 375.2 | 55.1 |
| | 12 | 10 | 408.6 | 51.1 | 407.6 | 52.4 | 406.6 | 53.7 | 405.5 | 55.2 | 404.5 | 56.7 | 403.8 | 57.7 |
| | 17 | 15 | 438.0 | 53.2 | 436.9 | 54.5 | 435.9 | 55.8 | 434.8 | 57.3 | 433.6 | 58.8 | 432.9 | 59.9 |
| | 22 | 20 | 466.9 | 54.9 | 465.7 | 56.2 | 464.6 | 57.5 | 463.4 | 58.9 | 462.2 | 60.4 | 461.4 | 61.4 |
| | 27 | 24 | 494.2 | 55.9 | 492.9 | 57.2 | 491.8 | 58.4 | 490.5 | 59.8 | 489.2 | 61.3 | 488.4 | 62.3 |
| | 32 | 29 | 519.3 | 56.4 | 517.9 | 57.6 | 516.7 | 58.8 | 515.4 | 60.1 | 514.0 | 61.0 | 498.3 | 57.6 |
| | 37 | 34 | 541.5 | 56.2 | 540.1 | 57.4 | 538.8 | 58.5 | 537.4 | 58.5 | 515.8 | 55.0 | 493.3 | 51.9 |
| | 42 | 38 | 560.6 | 55.5 | 559.1 | 56.6 | 557.8 | 55.8 | 550.0 | 54.1 | 515.8 | 49.9 | 493.3 | 47.2 |
| | 47 | 43 | 576.3 | 53.7 | 574.8 | 52.9 | 573.4 | 52.1 | 550.0 | 49.3 | 515.8 | 45.6 | 493.3 | 43.3 |
| | 52 | 47 | 588.5 | 50.0 | 587.0 | 49.3 | 585.4 | 48.7 | 550.0 | 45.3 | 515.8 | 42.1 | 493.3 | 40.0 |
| | 57 | 52 | 597.6 | 46.6 | 596.1 | 46.1 | 585.4 | 44.9 | 550.0 | 42.0 | 515.8 | 39.0 | 493.3 | 37.1 |
| | 62 | 56 | 603.8 | 43.5 | 602.3 | 43.1 | 585.4 | 41.7 | 550.0 | 39.0 | 515.8 | 36.4 | 493.3 | 34.7 |
| | 67 | 61 | 607.7 | 40.7 | 606.2 | 40.4 | 585.4 | 38.9 | 550.0 | 36.5 | 515.8 | 34.1 | 493.3 | 32.5 |
| | 72 | 66 | 610.0 | 38.2 | 608.4 | 38.0 | 585.4 | 36.5 | 550.0 | 34.3 | 515.8 | 32.0 | 493.3 | 30.6 |
| | 75 | 69 | 610.9 | 36.8 | 609.4 | 36.6 | 585.4 | 35.2 | 550.0 | 33.0 | 515.8 | 30.9 | 493.3 | 29.6 |
| 80 | 74 | 612.6 | 34.7 | 611.0 | 34.6 | 585.4 | 33.2 | 550.0 | 31.2 | 515.8 | 29.2 | 493.3 | 28.0 | |
| 90% | -13 | -14 | 296.2 | 38.8 | 295.4 | 39.8 | 294.7 | 40.9 | 294.0 | 42.1 | 293.2 | 43.3 | 292.7 | 44.2 |
| | -8 | -9 | 308.4 | 40.4 | 307.6 | 41.5 | 306.9 | 42.6 | 306.1 | 43.8 | 305.3 | 45.1 | 304.8 | 46.0 |
| | -3 | -4 | 327.3 | 42.6 | 326.5 | 43.7 | 325.7 | 44.9 | 324.9 | 46.2 | 324.0 | 47.5 | 323.5 | 48.5 |
| | 2 | 1 | 351.1 | 45.1 | 350.2 | 46.3 | 349.4 | 47.5 | 348.5 | 48.9 | 347.6 | 50.3 | 347.0 | 51.3 |
| | 7 | 6 | 378.1 | 47.7 | 377.2 | 49.0 | 376.3 | 50.2 | 375.3 | 51.6 | 374.3 | 53.1 | 373.7 | 54.1 |
| | 12 | 10 | 407.0 | 50.2 | 405.9 | 51.4 | 405.0 | 52.7 | 403.9 | 54.1 | 402.9 | 55.6 | 402.2 | 56.7 |
| | 17 | 15 | 436.3 | 52.2 | 435.2 | 53.5 | 434.1 | 54.8 | 433.0 | 56.2 | 431.9 | 57.7 | 431.2 | 58.8 |
| | 22 | 20 | 465.0 | 53.8 | 463.8 | 55.1 | 462.7 | 56.4 | 461.5 | 57.8 | 458.8 | 59.1 | 438.9 | 57.6 |
| | 27 | 24 | 492.2 | 54.9 | 491.0 | 56.1 | 489.8 | 57.3 | 488.5 | 58.7 | 456.0 | 56.3 | 439.6 | 55.3 |
| | 32 | 29 | 517.2 | 55.3 | 515.9 | 56.5 | 514.6 | 57.7 | 482.1 | 55.4 | 462.6 | 54.1 | 443.9 | 51.1 |
| | 37 | 34 | 539.4 | 55.2 | 538.0 | 56.3 | 506.0 | 54.1 | 483.7 | 51.9 | 464.2 | 48.7 | 443.9 | 46.0 |
| | 42 | 38 | 558.3 | 54.4 | 524.9 | 52.3 | 502.0 | 49.4 | 495.5 | 48.0 | 464.2 | 44.2 | 443.9 | 41.8 |
| | 47 | 43 | 543.0 | 49.9 | 517.3 | 46.9 | 516.1 | 46.2 | 495.5 | 43.8 | 464.2 | 40.5 | 443.9 | 38.4 |
| | 52 | 47 | 529.7 | 44.3 | 528.3 | 43.7 | 526.8 | 43.2 | 495.5 | 40.2 | 464.2 | 37.3 | 443.9 | 35.4 |
| | 57 | 52 | 537.9 | 41.3 | 536.5 | 40.9 | 526.8 | 39.8 | 495.5 | 37.2 | 464.2 | 34.6 | 443.9 | 32.9 |
| | 62 | 56 | 543.4 | 38.6 | 542.0 | 38.3 | 526.8 | 37.0 | 495.5 | 34.6 | 464.2 | 32.2 | 443.9 | 30.7 |
| | 67 | 61 | 546.9 | 36.1 | 545.5 | 35.9 | 526.8 | 34.5 | 495.5 | 32.3 | 464.2 | 30.2 | 443.9 | 28.8 |
| | 72 | 66 | 549.0 | 33.8 | 547.6 | 33.7 | 526.8 | 32.3 | 495.5 | 30.4 | 464.2 | 28.4 | 443.9 | 27.1 |
| | 75 | 69 | 549.9 | 32.6 | 548.4 | 32.5 | 526.8 | 31.2 | 495.5 | 29.3 | 464.2 | 27.4 | 443.9 | 26.2 |
| | 80 | 74 | 551.3 | 30.7 | 549.9 | 30.7 | 526.8 | 29.4 | 495.5 | 27.7 | 464.2 | 25.9 | 443.9 | 24.8 |
| 80% | -13 | -14 | 295.0 | 38.1 | 294.3 | 39.1 | 293.5 | 40.1 | 292.8 | 41.3 | 292.0 | 42.5 | 291.6 | 43.4 |
| | -8 | -9 | 307.2 | 39.6 | 306.4 | 40.7 | 305.7 | 41.8 | 304.9 | 43.0 | 304.1 | 44.3 | 303.6 | 45.2 |
| | -3 | -4 | 326.0 | 41.8 | 325.2 | 42.9 | 324.4 | 44.1 | 323.5 | 45.3 | 322.7 | 46.7 | 322.2 | 47.6 |
| | 2 | 1 | 349.7 | 44.3 | 348.8 | 45.5 | 348.0 | 46.6 | 347.1 | 48.0 | 346.2 | 49.4 | 345.6 | 50.3 |
| | 7 | 6 | 376.6 | 46.8 | 375.7 | 48.1 | 374.8 | 49.3 | 373.8 | 50.6 | 372.8 | 52.1 | 372.2 | 53.1 |
| | 12 | 10 | 405.3 | 49.2 | 404.3 | 50.5 | 403.3 | 51.7 | 402.3 | 53.1 | 401.3 | 54.6 | 393.1 | 54.6 |
| | 17 | 15 | 434.5 | 51.3 | 433.4 | 52.5 | 432.4 | 53.8 | 431.3 | 55.2 | 411.7 | 54.2 | 394.6 | 53.0 |
| | 22 | 20 | 463.2 | 52.8 | 462.0 | 54.1 | 460.9 | 55.3 | 438.0 | 54.0 | 410.8 | 52.1 | 394.6 | 51.0 |
| | 27 | 24 | 490.3 | 53.9 | 489.0 | 55.1 | 462.8 | 53.4 | 433.9 | 51.4 | 405.2 | 49.3 | 394.6 | 48.9 |
| | 32 | 29 | 514.2 | 54.2 | 483.6 | 52.2 | 455.0 | 50.3 | 424.7 | 48.1 | 411.2 | 47.4 | 394.6 | 44.7 |
| | 37 | 34 | 503.4 | 50.7 | 471.6 | 48.6 | 441.8 | 46.6 | 430.0 | 45.4 | 412.6 | 42.7 | 394.6 | 40.3 |
| | 42 | 38 | 487.1 | 46.8 | 454.3 | 44.6 | 446.2 | 43.3 | 440.5 | 42.0 | 412.6 | 38.7 | 394.6 | 36.7 |
| | 47 | 43 | 465.8 | 42.2 | 459.8 | 41.1 | 458.7 | 40.4 | 440.5 | 38.3 | 412.6 | 35.4 | 394.6 | 33.6 |
| | 52 | 47 | 470.8 | 38.8 | 469.6 | 38.3 | 468.3 | 37.8 | 440.5 | 35.2 | 412.6 | 32.7 | 394.6 | 31.0 |
| | 57 | 52 | 478.1 | 36.2 | 476.9 | 35.8 | 468.3 | 34.9 | 440.5 | 32.6 | 412.6 | 30.3 | 394.6 | 28.8 |
| | 62 | 56 | 483.1 | 33.8 | 481.8 | 33.5 | 468.3 | 32.4 | 440.5 | 30.3 | 412.6 | 28.2 | 394.6 | 26.9 |
| | 67 | 61 | 486.2 | 31.6 | 484.9 | 31.4 | 468.3 | 30.2 | 440.5 | 28.3 | 412.6 | 26.5 | 394.6 | 25.2 |
| | 72 | 66 | 488.0 | 29.6 | 486.7 | 29.5 | 468.3 | 28.3 | 440.5 | 26.6 | 412.6 | 24.9 | 394.6 | 23.8 |
| | 75 | 69 | 488.8 | 28.6 | 487.5 | 28.5 | 468.3 | 27.3 | 440.5 | 25.7 | 412.6 | 24.0 | 394.6 | 23.0 |
| | 80 | 74 | 490.1 | 26.9 | 488.8 | 26.9 | 468.3 | 25.8 | 440.5 | 24.2 | 412.6 | 22.7 | 394.6 | 21.7 |

NOTE - Power Input = Compressor + Outdoor Fan Motor.
 MBH = 1000 BTUs per hour.

HEATING CAPACITY - THREE MODULE | VRB504H4

| Combination (%) | Outdoor Temperature (°F) | | Indoor Temperature - °F Dry Bulb | | | | | | | | | | | |
|-----------------|--------------------------|----------|----------------------------------|-------------|------------|-------------|------------|-------------|------------|-------------|------------|-------------|------------|-------------|
| | | | 61 | | 64 | | 67 | | 70 | | 73 | | 75 | |
| | Dry Bulb | Wet Bulb | Total Cap. | Power Input | Total Cap. | Power Input | Total Cap. | Power Input | Total Cap. | Power Input | Total Cap. | Power Input | Total Cap. | Power Input |
| | | | MBH | kW | MBH | kW | MBH | kW | MBH | kW | MBH | kW | MBH | kW |
| 70% | -13 | -14 | 293.8 | 37.4 | 293.1 | 38.4 | 292.4 | 39.4 | 291.6 | 40.5 | 290.9 | 41.7 | 290.4 | 42.6 |
| | -8 | -9 | 305.9 | 38.9 | 305.2 | 40.0 | 304.4 | 41.0 | 303.6 | 42.2 | 302.9 | 43.5 | 302.3 | 44.3 |
| | -3 | -4 | 324.7 | 41.0 | 323.9 | 42.1 | 323.1 | 43.2 | 322.2 | 44.5 | 321.4 | 45.8 | 320.9 | 46.7 |
| | 2 | 1 | 348.3 | 43.5 | 347.4 | 44.6 | 346.6 | 45.8 | 345.7 | 47.1 | 344.8 | 48.5 | 344.2 | 49.4 |
| | 7 | 6 | 375.1 | 46.0 | 374.2 | 47.2 | 373.3 | 48.4 | 372.3 | 49.7 | 361.0 | 49.7 | 345.3 | 48.5 |
| | 12 | 10 | 403.7 | 48.3 | 402.7 | 49.6 | 401.7 | 50.8 | 385.4 | 50.2 | 361.0 | 48.4 | 345.3 | 47.2 |
| | 17 | 15 | 432.8 | 50.3 | 431.7 | 51.6 | 409.8 | 50.2 | 385.4 | 48.6 | 361.0 | 46.9 | 345.3 | 45.7 |
| | 22 | 20 | 456.4 | 51.3 | 432.5 | 49.9 | 409.8 | 48.5 | 385.4 | 46.9 | 361.0 | 45.2 | 345.3 | 44.0 |
| | 27 | 24 | 453.1 | 49.1 | 427.9 | 47.5 | 409.8 | 46.6 | 385.4 | 45.0 | 361.0 | 43.3 | 345.3 | 42.2 |
| | 32 | 29 | 444.6 | 46.2 | 418.2 | 44.5 | 409.8 | 44.6 | 385.4 | 43.0 | 361.0 | 41.0 | 345.3 | 38.6 |
| | 37 | 34 | 430.9 | 42.8 | 403.4 | 41.0 | 409.8 | 42.6 | 385.4 | 40.1 | 361.0 | 36.8 | 345.3 | 34.8 |
| | 42 | 38 | 412.0 | 39.0 | 391.4 | 37.9 | 409.8 | 39.2 | 385.4 | 36.2 | 361.0 | 33.4 | 345.3 | 31.6 |
| | 47 | 43 | 403.4 | 36.0 | 402.3 | 35.4 | 409.8 | 35.6 | 385.4 | 33.1 | 361.0 | 30.6 | 345.3 | 29.0 |
| | 52 | 47 | 412.0 | 33.5 | 410.9 | 33.0 | 409.8 | 32.6 | 385.4 | 30.4 | 361.0 | 28.2 | 345.3 | 26.8 |
| | 57 | 52 | 418.3 | 31.2 | 417.3 | 30.9 | 409.8 | 30.1 | 385.4 | 28.1 | 361.0 | 26.1 | 345.3 | 24.9 |
| | 62 | 56 | 422.7 | 29.1 | 421.6 | 28.9 | 409.8 | 27.9 | 385.4 | 26.1 | 361.0 | 24.4 | 345.3 | 23.2 |
| | 67 | 61 | 425.4 | 27.3 | 424.3 | 27.1 | 409.8 | 26.1 | 385.4 | 24.4 | 361.0 | 22.8 | 345.3 | 21.8 |
| | 72 | 66 | 427.0 | 25.6 | 425.9 | 25.4 | 409.8 | 24.4 | 385.4 | 22.9 | 361.0 | 21.5 | 345.3 | 20.5 |
| | 75 | 69 | 427.7 | 24.6 | 426.6 | 24.5 | 409.8 | 23.6 | 385.4 | 22.1 | 361.0 | 20.7 | 345.3 | 19.8 |
| | 80 | 74 | 428.8 | 23.2 | 427.7 | 23.2 | 409.8 | 22.2 | 385.4 | 20.9 | 361.0 | 19.6 | 345.3 | 18.7 |
| 60% | -13 | -14 | 292.6 | 36.7 | 291.9 | 37.7 | 291.2 | 38.7 | 290.4 | 39.8 | 289.7 | 41.0 | 289.2 | 41.8 |
| | -8 | -9 | 304.7 | 38.2 | 303.9 | 39.2 | 303.2 | 40.3 | 302.4 | 41.4 | 301.6 | 42.7 | 296.0 | 42.8 |
| | -3 | -4 | 323.4 | 40.3 | 322.5 | 41.4 | 321.8 | 42.5 | 320.9 | 43.7 | 309.5 | 43.5 | 296.0 | 42.5 |
| | 2 | 1 | 346.9 | 42.7 | 346.0 | 43.8 | 345.2 | 45.0 | 330.3 | 44.4 | 309.5 | 42.9 | 296.0 | 41.9 |
| | 7 | 6 | 373.6 | 45.2 | 370.9 | 46.1 | 351.2 | 44.9 | 330.3 | 43.5 | 309.5 | 42.0 | 296.0 | 41.0 |
| | 12 | 10 | 391.7 | 46.2 | 370.9 | 45.0 | 351.2 | 43.8 | 330.3 | 42.4 | 309.5 | 40.9 | 296.0 | 39.9 |
| | 17 | 15 | 391.7 | 44.9 | 370.9 | 43.7 | 351.2 | 42.5 | 330.3 | 41.1 | 309.5 | 39.6 | 296.0 | 38.6 |
| | 22 | 20 | 391.7 | 43.4 | 370.9 | 42.2 | 351.2 | 41.0 | 330.3 | 39.6 | 309.5 | 38.2 | 296.0 | 37.2 |
| | 27 | 24 | 391.7 | 41.8 | 370.9 | 40.6 | 351.2 | 39.4 | 330.3 | 38.0 | 309.5 | 36.6 | 296.0 | 35.6 |
| | 32 | 29 | 391.7 | 40.1 | 370.9 | 38.9 | 351.2 | 37.7 | 330.3 | 36.4 | 309.5 | 34.7 | 296.0 | 32.6 |
| | 37 | 34 | 391.7 | 38.4 | 370.9 | 37.2 | 351.2 | 36.0 | 330.3 | 33.9 | 309.5 | 31.1 | 296.0 | 29.4 |
| | 42 | 38 | 391.7 | 36.6 | 370.9 | 35.4 | 351.2 | 33.1 | 330.3 | 30.6 | 309.5 | 28.2 | 296.0 | 26.7 |
| | 47 | 43 | 391.7 | 34.4 | 370.9 | 32.2 | 351.2 | 30.1 | 330.3 | 27.9 | 309.5 | 25.8 | 296.0 | 24.5 |
| | 52 | 47 | 391.7 | 31.4 | 370.9 | 29.4 | 351.2 | 27.6 | 330.3 | 25.7 | 309.5 | 23.8 | 296.0 | 22.6 |
| | 57 | 52 | 391.7 | 28.8 | 370.9 | 27.1 | 351.2 | 25.4 | 330.3 | 23.7 | 309.5 | 22.1 | 296.0 | 21.0 |
| | 62 | 56 | 391.7 | 26.6 | 370.9 | 25.1 | 351.2 | 23.6 | 330.3 | 22.1 | 309.5 | 20.6 | 296.0 | 19.6 |
| | 67 | 61 | 391.7 | 24.7 | 370.9 | 23.3 | 351.2 | 22.0 | 330.3 | 20.7 | 309.5 | 19.3 | 296.0 | 18.4 |
| | 72 | 66 | 391.7 | 23.1 | 370.9 | 21.8 | 351.2 | 20.7 | 330.3 | 19.4 | 309.5 | 18.1 | 296.0 | 17.3 |
| | 75 | 69 | 391.7 | 22.2 | 370.9 | 21.0 | 351.2 | 19.9 | 330.3 | 18.7 | 309.5 | 17.5 | 296.0 | 16.7 |
| | 80 | 74 | 391.7 | 20.9 | 370.9 | 19.8 | 351.2 | 18.8 | 330.3 | 17.7 | 309.5 | 16.6 | 296.0 | 15.8 |
| 50% | -13 | -14 | 291.4 | 36.0 | 290.7 | 37.0 | 290.0 | 38.0 | 275.3 | 37.2 | 257.9 | 36.0 | 246.6 | 35.2 |
| | -8 | -9 | 303.5 | 37.5 | 302.7 | 38.5 | 292.7 | 38.3 | 275.3 | 37.2 | 257.9 | 36.0 | 246.6 | 35.2 |
| | -3 | -4 | 322.1 | 39.6 | 309.1 | 39.1 | 292.7 | 38.1 | 275.3 | 36.9 | 257.9 | 35.7 | 246.6 | 34.9 |
| | 2 | 1 | 326.5 | 39.6 | 309.1 | 38.6 | 292.7 | 37.6 | 275.3 | 36.5 | 257.9 | 35.2 | 246.6 | 34.4 |
| | 7 | 6 | 326.5 | 38.9 | 309.1 | 37.9 | 292.7 | 36.9 | 275.3 | 35.7 | 257.9 | 34.5 | 246.6 | 33.7 |
| | 12 | 10 | 326.5 | 38.0 | 309.1 | 37.0 | 292.7 | 36.0 | 275.3 | 34.8 | 257.9 | 33.6 | 246.6 | 32.8 |
| | 17 | 15 | 326.5 | 36.9 | 309.1 | 35.9 | 292.7 | 34.9 | 275.3 | 33.8 | 257.9 | 32.6 | 246.6 | 31.7 |
| | 22 | 20 | 326.5 | 35.7 | 309.1 | 34.7 | 292.7 | 33.7 | 275.3 | 32.5 | 257.9 | 31.4 | 246.6 | 30.5 |
| | 27 | 24 | 326.5 | 34.4 | 309.1 | 33.4 | 292.7 | 32.4 | 275.3 | 31.2 | 257.9 | 30.1 | 246.6 | 29.3 |
| | 32 | 29 | 326.5 | 33.0 | 309.1 | 32.0 | 292.7 | 31.0 | 275.3 | 29.9 | 257.9 | 28.5 | 246.6 | 26.8 |
| | 37 | 34 | 326.5 | 31.5 | 309.1 | 30.5 | 292.7 | 29.6 | 275.3 | 27.9 | 257.9 | 25.6 | 246.6 | 24.1 |
| | 42 | 38 | 326.5 | 30.1 | 309.1 | 29.1 | 292.7 | 27.2 | 275.3 | 25.2 | 257.9 | 23.2 | 246.6 | 21.9 |
| | 47 | 43 | 326.5 | 28.3 | 309.1 | 26.4 | 292.7 | 24.7 | 275.3 | 23.0 | 257.9 | 21.2 | 246.6 | 20.1 |
| | 52 | 47 | 326.5 | 25.8 | 309.1 | 24.2 | 292.7 | 22.7 | 275.3 | 21.1 | 257.9 | 19.6 | 246.6 | 18.6 |
| | 57 | 52 | 326.5 | 23.7 | 309.1 | 22.2 | 292.7 | 20.9 | 275.3 | 19.5 | 257.9 | 18.1 | 246.6 | 17.3 |
| | 62 | 56 | 326.5 | 21.9 | 309.1 | 20.6 | 292.7 | 19.4 | 275.3 | 18.2 | 257.9 | 16.9 | 246.6 | 16.1 |
| | 67 | 61 | 326.5 | 20.3 | 309.1 | 19.2 | 292.7 | 18.1 | 275.3 | 17.0 | 257.9 | 15.8 | 246.6 | 15.1 |
| | 72 | 66 | 326.5 | 19.0 | 309.1 | 17.9 | 292.7 | 17.0 | 275.3 | 15.9 | 257.9 | 14.9 | 246.6 | 14.2 |
| | 75 | 69 | 326.5 | 18.3 | 309.1 | 17.3 | 292.7 | 16.4 | 275.3 | 15.4 | 257.9 | 14.4 | 246.6 | 13.7 |
| | 80 | 74 | 326.5 | 17.2 | 309.1 | 16.3 | 292.7 | 15.4 | 275.3 | 14.5 | 257.9 | 13.6 | 246.6 | 13.0 |

NOTE - Power Input = Compressor + Outdoor Fan Motor.
MBH = 1000 BTUs per hour.

REVISIONS

| Sections | Description of Change |
|---------------------|---|
| AHRI Systems | Number of System Modules updated. |
| Dimensions - Unit | Added dimensions for base mounting holes. |
| System Combinations | Number of System Modules updated. |



Visit us at www.lennox.com

For the latest technical information, www.lennoxcommercial.com

Contact us at 1-800-4-LENNOX

NOTE - Due to Lennox' ongoing commitment to quality, Specifications, Ratings and Dimensions subject to change without notice and without incurring liability. Improper installation, adjustment, alteration, service or maintenance can cause property damage or personal injury. Installation and service must be performed by a qualified installer and servicing agency.

©2020 Lennox Industries, Inc.