

Applications

- Applicable to most forced air installations.
- Installs on return air plenum or duct and connects to the supply plenum or duct with flexible pipe provided.
- Right or left hand air flow available.
- Humidifier shipped in one package.

Sequence of Operation

- By-passed supply (warm) air flows through the polyester foam filter media.
- Air is moistened by a fine spray of water from the nozzle assembly.
- Air re-enters air stream on return air side.

Cabinet

- Rugged one piece molded plastic.
- Water tight and corrosion resistant.
- Large front access door, which permits total access when removed.
- Colored to match Lennox furnaces.
- Humidifier service instructions molded inside of door.

Polyester Foam Filter Media

- Provides large evaporation capacity.
- Easy to clean using warm water and detergent.
- Filter media and stainless steel wire media support frame is easily removed and replaced for servicing.

Overflow Drain Furnished

- Molded drain fitting in bottom of cabinet.
- Drain hose and clamp provided.

Damper Starting Collar

- 6 inch (152 mm) starting collar with damper/air scoop furnished for supply air connection in plenum or duct.
- Pull chain for manual closing.
- Flexible 6 inch (152 mm) pipe and clamps for connection of collar to nozzle assembly inlet collar on humidifier.

Saddle Valve Furnished

- All necessary fittings furnished as standard equipment.
- Field installs in the water supply line.

Transformer Furnished

- 20VA (120/24 VAC) is furnished as standard equipment.
- Mounts in or near furnace wiring junction box.

Humidistat Furnished

- Can be mounted on wall or duct.
- Provides automatic control of room relative humidity.
- Wired in series with the humidifier water solenoid valve.
- Has adjustable setting.

Nozzle Assembly

- Consists of 6 inch (152mm) plastic collar, nozzle spray assembly and 24 volt solenoid valve (with integral mesh strainer) in one assembly.
- Assembly inserts (twist & lock) in right or left opening of cabinet.
- End cap furnished to insert in opening not being used.

OPTIONAL ACCESSORIES (Must Be Ordered Extra)

Filter Media (21308)

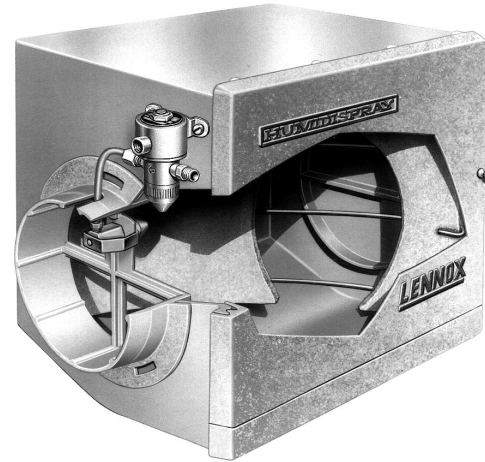
- Replaces Polyester Foam Filter Media when necessary.

Deluxe Humidistat (38648)

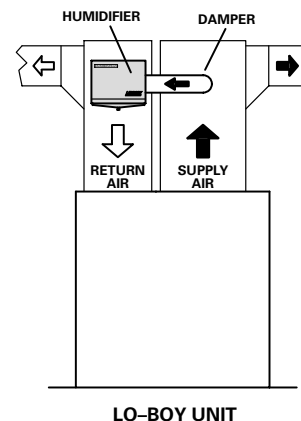
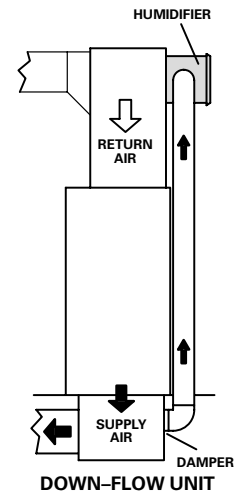
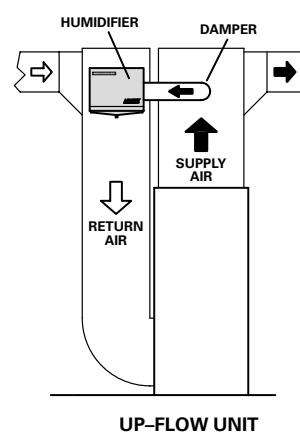
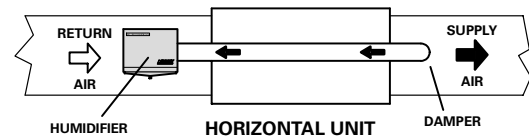
- Can be mounted on wall or duct.
- Outdoor temperature and corresponding recommended humidistat settings on face plate for reference.

Current Sensing Relay (26G12)

- Furnaces without accessory terminal connection, require a current sensing relay to control solenoid water valve.



Typical Applications

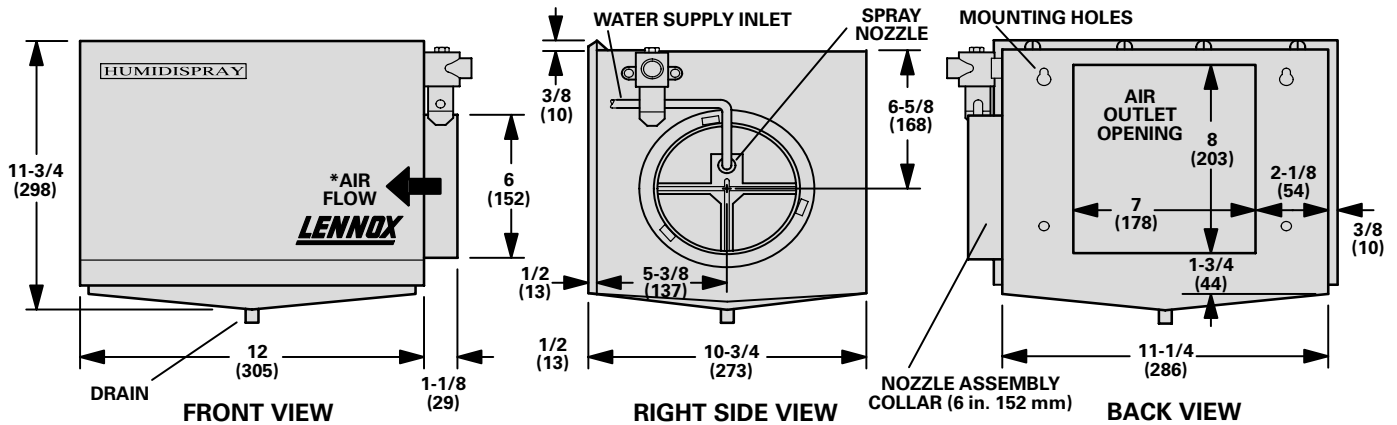


SPECIFICATIONS

Model No.	WS1-18
Nozzle size – U.S. gph (L/hr)	3.00 (11)
Type of nozzle	Delavan WD8
Nozzle spray angle	90°
Filter media cut size – in. (mm)	13-7/8 x 12-1/2 x 1/2 (352 x 318 x 13)
Water supply connection – in. (mm)	1/4 (6) compression
Drain connection – in. (mm)	3/4 (19) I.D.
Unit operating watts	10
Electrical characteristics	24v – 60hz – 1ph
Shipping weight – lbs (kg) (1 pkg.)	11 (5)

* Rated at 18 U.S. gallons (68 L) per day evaporation; 140° F (60° C) supply air temperature .20 in. w.g. (50 Pa) static pressure and 30% return air humidity.

DIMENSIONS – inches (mm)



*NOTE – Right hand inlet air shown. Relocate inlet collar and motor assembly to obtain left hand inlet air.

PERFORMANCE DATA

