



**XC13N**  
**ELITE® Series**  
**R-410A - 60 Hz**

**RESIDENTIAL**  
**PRODUCT SPECIFICATIONS**

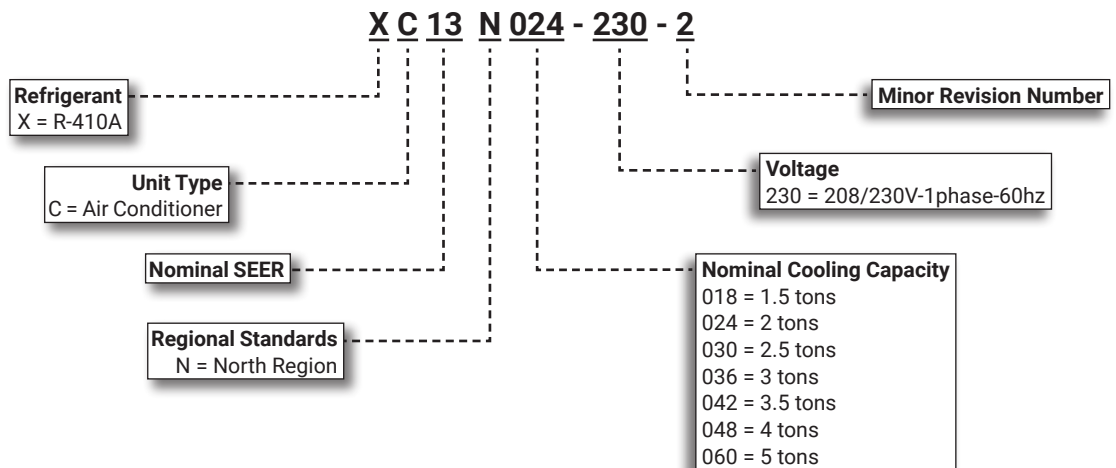
Bulletin No. 210839  
 May 2020  
 Supersedes June 2019

**ELITE®**  
 SERIES

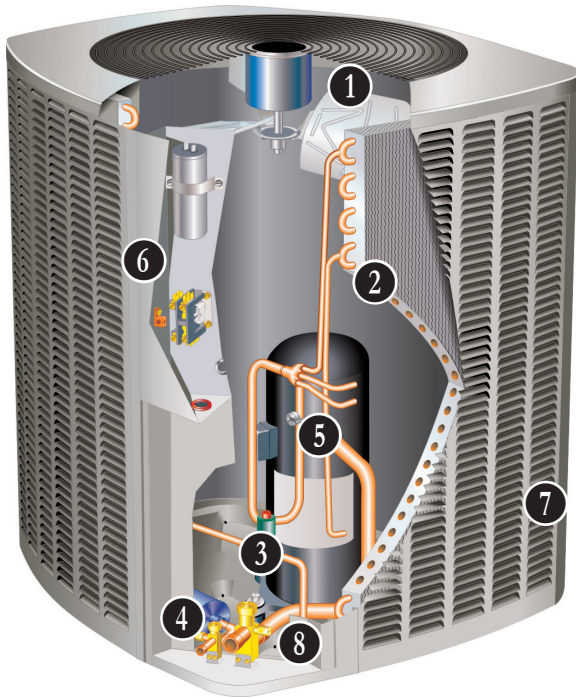


**SEER up to 16.00**  
**1.5 to 5 Tons**  
**Cooling Capacity - 17,500 to 59,000 Btuh**

**MODEL NUMBER IDENTIFICATION**



## FEATURE HIGHLIGHTS



1. Condenser Fan
2. Copper Tube/Enhanced Fin Coil
3. High Pressure Switch
4. High Capacity Liquid Line Drier
5. Scroll Compressor
6. Heavy Gauge Steel Cabinet
7. SmartHinge™ Louvered Coil Protection
8. Refrigerant Line Access

## CONTENTS

Approvals And Warranty . . . . .	3
Controls - Order Separately . . . . .	7
Dimensions . . . . .	8
Electrical Data . . . . .	7
Features . . . . .	3
Field Wiring . . . . .	9
Installation Clearances . . . . .	9
Model Number Identification. . . . .	1
Optional Accessories - Order Separately . . . . .	7
Sound Data . . . . .	9
Specifications . . . . .	7
TXV/Orifice Usage . . . . .	10

## APPROVALS AND WARRANTY

### APPROVALS

- AHRI Certified to AHRI Standard 210/240
- For AHRI Certified system match-ups and expanded ratings, visit [www.LennoxPros.com](http://www.LennoxPros.com)
- Sound rated in Lennox reverberant sound test room in accordance with test conditions included in AHRI Standard 270-2008
- Tested in the Lennox Research Laboratory environmental test room
- Rated according to U.S. Department of Energy (DOE) test procedures
- Region specific models meet the minimum efficiency requirements for U.S. DOE Federal Regional Standards in that area
- Air conditioners and components within bonded for grounding to meet safety standards for servicing required by ETL and CEC
- Units are ETL certified for the U.S. and Canada
- ISO 9001 Registered Manufacturing Quality System

### WARRANTY

- Compressor:
  - Limited ten years in residential installations
  - Limited five years in non-residential installations
- All other covered components:
  - Limited five years in residential installations
  - Limited one year in non-residential installations

**NOTE** - Refer to Lennox Equipment Limited Warranty certificate included with unit for specific details.

## FEATURES

### APPLICATIONS

- 1.5 through 5 tons
- Single phase power supply
- Sound levels as low as 74 dBA
- Vertical air discharge
- Matching add-on furnace indoor coils or air handlers provide a wide range of cooling capacities and applications. See AHRI System Matches
- See Indoor Coils and Air Handlers tab sections for data
- Shipped completely factory assembled, piped, and wired
- Each unit is test operated at the factory ensuring proper operation

**NOTE** - Installer must set air conditioner, connect refrigerant lines, and make electrical connections to complete job.

### REFRIGERATION SYSTEM

#### R-410A Refrigerant

- Non-chlorine, ozone friendly
- Unit is factory pre-charged

**NOTE** - Total system refrigerant charge is dependant on outdoor unit size, indoor unit size and refrigerant line length.

**NOTE** - Refer to the unit-mounted charging sticker to determine correct amount of charge required.

#### 1 Condenser Fan

- Direct drive fan
- Vertical air discharge
- Sleeve bearings

- Inherently protected
- Enclosed moto fan motor
- Corrosion-resistant PVC (polyvinyl chloride) coated steel fan guard

#### 2 Copper Tube/Enhanced Fin Coil

- Lennox designed and fabricated coil
- Ripple-edged aluminum fins
- Copper tube construction
- Lanced fins for maximum fin surface exposure
- Fin collars grip tubing for maximum contact area
- Flared shoulder tubing connections
- Silver soldering construction
- Coil is factory tested under high pressure
- Entire coil is accessible for cleaning

#### 3 High Pressure Switch

- Shuts off unit if abnormal operating conditions cause the discharge pressure to rise above setting
- Automatic reset

#### Discharge Thermostat

- Factory installed on the discharge line of the compressor
- SPST, auto-reset
- Removes power from the compressor when discharge temperature exceeds the factory setting of 220°F

#### 4 High Capacity Liquid Line Drier

- Factory installed in the liquid line
- Drier traps moisture or dirt
- 100% molecular-sieve, bead type, bi-flow drier

## FEATURES

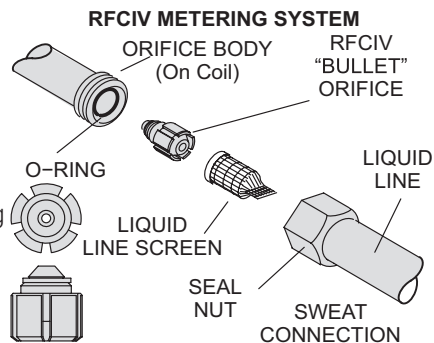
### REFRIGERATION SYSTEM (continued)

#### Refrigerant Flow Control

- Units applicable to expansion valve systems or RFC systems when matched with specific indoor coils

#### RFCIV:

- Accurately meters refrigerant in system
- Refrigerant control is accomplished by exact sizing of refrigerant metering orifice
- The principle involves matching indoor coil with proper bore size of orifice in metering device
- Equalizes pressure shortly after compressor stops, unit starts unloaded, eliminating need for additional controls
- See RFC Orifice Usage Table on Page 10 for correct matches



#### Optional Accessories

##### Expansion Valve Kits

- Field installed on certain indoor units
- See TXV Usage Table
- Chatleff-style fittings

##### Freezestat

- Senses suction line temperature
- Cycles compressor off when suction line temperature falls below its setpoint
- Opens at 29°F and closes at 58°F
- Installs on or near the discharge line of the evaporator or on the suction line

##### Loss of Charge Switch Kit

- Protects compressor from damage from low refrigerant charge conditions
- SPST
- Normally-closed
- Automatic reset

##### Refrigerant Line Kits

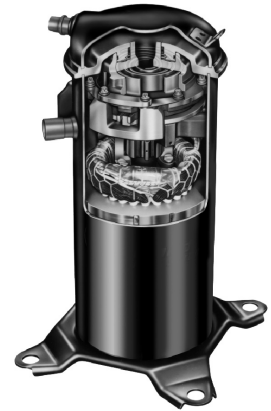
- Refrigerant lines are shipped refrigeration clean
- Lines are cleaned, dried, pressurized and sealed at factory
- Suction line fully insulated
- Lines are stubbed at both ends

**NOTE** - Not available for -060 models and must be field fabricated

### COMPRESSOR

#### 5 Scroll Compressor

- High efficiency with uniform suction flow
- Constant discharge flow, high volumetric efficiency and quiet operation
- Low gas pulses during compression reduces operational sound levels
- Compressor motor is internally protected from excessive current and temperature
- Muffler in discharge line reduces operating sound levels
- Compressor is installed in the unit on resilient rubber mounts for vibration free operation



#### Scroll Compressor Operation

- Two involute spiral scrolls matched together generate a series of crescent-shaped gas pockets between them
- During compression, one scroll remains stationary while the other scroll orbits around it
- Gas is drawn into the outer pocket, the pocket is sealed as the scroll rotates
- As the spiral movement continues, gas pockets are pushed to the center of the scrolls. Volume between the pockets is simultaneously reduced
- When the pocket reaches the center, gas is now at high pressure and is forced out of a port located in the center of the fixed scrolls
- During compression, several pockets are compressed simultaneously resulting in a smooth continuous compression cycle
- Continuous flank contact, maintained by centrifugal force, minimizes gas leakage and maximizes efficiency
- Compressor is tolerant to the effects of slugging and contaminants. If this occurs, scrolls separate, allowing liquid or contaminants to be worked toward the center and discharged

#### Optional Accessories

##### Compressor Crankcase Heater

- Protects against refrigerant migration that can occur during low ambient operation

##### Compressor Sound Cover

- Reinforced vinyl compressor cover
- 1-1/2 inch thick batt of fiberglass insulation
- Hook and loop fastening tape on all open edges

## FEATURES

### CONTROLS

#### Optional Accessories

##### iComfort® E30 Smart Wi-Fi Thermostat

- Wi-Fi enabled, electronic 7-day, universal, multi-stage, programmable, touchscreen thermostat
- 3 Heat/2 Cool
- Auto-changeover
- Controls dehumidification during cooling mode and humidification during heating mode
- Offers enhanced capabilities including humidification / dehumidification / dewpoint measurement and control, Humiditrol® control, and equipment maintenance reminders
- Easy to read 7 in. color touchscreen (measured diagonally)
- LCD display with backlight shows the current and set temperature, time, inside relative humidity, system status (operating mode and schedules) and outside temperature (optional outdoor sensor required)
- Smooth Setback Recovery starts system early to achieve setpoint at start of program period
- Compressor short-cycle protection (5 minutes)
- Up to four separate schedules are available plus Schedule IQ™
- One-Touch Away Mode - A quick and easy way to set the cooling and heating setpoints while away
- Smart Away™ - Uses geo-fencing technology to determine when the homeowner is within a predetermined distance from the home to operate the system when leaving, away and arriving
- Wi-Fi remote monitoring and adjustment through a home wireless network for desktop PCs, laptops and apps for smartphones or tablets
- Smart home automation compatible with Apple HomeKit™, Amazon Alexa®, Google Assistant and IFTTT
- High Definition Color Display with Subbase, Smart Hub Controller, wallplate (for retrofit installations) furnished for easy installation
- See the iComfort® E30 Smart Wi-Fi Thermostat Product Specifications bulletin for more information

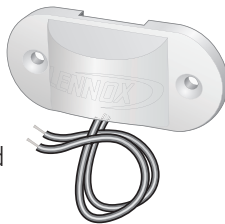


##### Remote Outdoor Temperature Sensor

- iComfort® E30 Smart Thermostat
- When installed outdoors, sensor allows thermostat to display outdoor temperature

**NOTE** - Sensor is required for Enhanced Dehumidification Control (EDA) applications.

**NOTE** - The outdoor sensor is furnished as standard with iComfort® Communicating outdoor units, optional for conventional units.



#### Optional Accessories (continued)

##### Remote Outdoor Temperature Sensor

- Used with the iComfort® E30 Smart Thermostat.
- Outdoor sensor allows thermostat to display outdoor temperature.
- Sensor is auto-detected when connected to thermostat

**NOTE** - Sensor is required for high and low balance points option.

**NOTE** - Sensor is required for the Enhanced Dehumidification Accessory (EDA).



##### Thermostat

- Thermostat is not furnished with unit
- See Lennox Price Book for selection

##### Compressor Hard Start Kit

- Single-phase units are equipped with a PSC compressor motor
- This type of motor normally doesn't need a potential relay and start capacitor
- For conditions such as low voltage kit may be required to increase the compressor starting torque

##### Indoor Blower Off Delay Relay

- Delays the indoor blower-off time during the cooling cycle

##### Low Ambient Kit

- Air conditioners can operate down to 45°F outdoor air temperature without additional controls
- Allows unit to operate properly down to 30°F

**NOTE** - Crankcase heater and freestat should be installed on compressors equipped with a low ambient kit.

**NOTE** - A compressor lock-out thermostat should be added to terminate compressor operation below recommended operation conditions.

##### Compressor Time-Off

- Kit prevents compressor short-cycling and allows time for suction and discharge pressure to equalize
- Permits compressor start-up in an unloaded condition
- Automatic reset with 5 minute delay between compressor shut-off and start-up



## FEATURES

### **CABINET**

- 6 Heavy-gauge steel construction
  - Pre-painted cabinet finish
  - Control box is conveniently located with all controls factory wired
  - Corner patch plate allows access to compressor components
  - Drainage holes are provided in base section
  - High density polyethylene unit support feet raise the unit off of the mounting surface, away from damaging moisture

#### **PermaGuard™ Unit Base**

- Durable zinc-coated base section resists rust and corrosion

#### **7 SmartHinge™ Louvered Coil Protection**

- Steel louvered panels provides complete coil protection
- Panels are hinged to allow easy cleaning and servicing of coils
- Panels may be completely removed
- Interlocking tabs and slots assure tight fit on cabinet



#### **8 Refrigerant Line Connections, Electrical Inlets, Service Valves**

- Sweat connection suction and liquid lines
- Located on corner of unit cabinet
- Fully serviceable brass service valves
- Suction valve can be fully shut off, while liquid valve may be front seated to manage refrigerant charge while servicing system
- Refrigerant line connections and field wiring inlets are located in one central area of cabinet for easy access
- See dimension drawing

## SPECIFICATIONS

General Data	Model No.	North Region	XC13N018	XC13N024	XC13N030	XC13N036	XC13N042	XC13N048	XC13N060
		Nominal Tonnage	1.5	2	2.5	3	3.5	4	5
Connections (sweat)		Liquid line o.d. - in.	3/8	3/8	3/8	3/8	3/8	3/8	3/8
		Suction line o.d. - in.	3/4	3/4	3/4	3/4	7/8	7/8	7/8
<sup>1</sup> Refrigerant (R-410A) Furnished			4 lbs. 1 oz.	3 lbs. 14 oz.	4 lbs. 4 oz.	5 lbs. 4 oz.	6 lbs. 9 oz.	7 lbs. 12 oz.	9 lbs. 0 oz.
RFCIV Metering Orifice Size Furnished			0.051	0.057	0.065	0.073	0.076	0.082	0.092
Outdoor Coil	Net face area sq. ft.	Outer coil	11.33	11.33	13.22	13.22	21.00	18.67	16.33
		Inner coil	---	---	---	---	---	---	15.71
		Tube diameter - in.	5/16	5/16	5/16	5/16	5/16	5/16	5/16
		Number of rows	1	1	1	1	1	1	2
		Fins per inch	26	26	26	26	26	26	22
Outdoor Fan		Diameter - in.	18	18	18	18	22	22	22
		Number of blades	3	3	4	4	4	4	4
		Motor hp	1/10	1/10	1/5	1/5	1/4	1/4	1/4
		Cfm	2350	2350	2400	2400	3670	3670	3600
		Rpm	1075	1075	1075	1075	825	825	825
		Watts	165	165	185	185	295	295	285
Shipping Data - lbs. 1 package			150	150	161	164	240	232	249

## ELECTRICAL DATA

	Line voltage data - 60 hz - 1ph	208/230V	208/230V	208/230V	208/230V	208/230V	208/230V	208/230V
	<sup>2</sup> Maximum overcurrent protection (amps)	20	25	30	35	45	50	60
	<sup>3</sup> Minimum circuit ampacity	12.4	14.7	18.8	22.1	28.1	32.0	34.6
Compressor	Rated load amps	9.4	11.2	14.1	16.7	21.2	24.2	26.3
	Locked rotor amps	56.6	60.8	73	79	112	100	125
	Power factor	0.98	0.98	0.98	0.99	0.99	0.99	0.99
Condenser Fan Motor	Full load amps	0.7	0.7	1.2	1.1	1.7	1.7	1.7
	Locked rotor amps	1.4	1.4	2.0	2.0	3.2	3.2	3.2

## CONTROLS - ORDER SEPARATELY

iComfort® E30 Smart Wi-Fi Thermostat	15S63	•	•	•	•	•	•	•
Remote Outdoor Temperature Sensor	X2658	•	•	•	•	•	•	•

## OPTIONAL ACCESSORIES - ORDER SEPARATELY

Compressor Crankcase Heater	93M04	•	•	•	•			
	93M05					•	•	•
Compressor Hard Start Kit	Copeland 10J42	•	•	•	•	•	•	•
	LG 88M91	•	•	•	•	•	•	•
Compressor Low Ambient Cut-Off Switch	45F08	•	•	•	•	•	•	•
Compressor Sound Cover	18J42	•	•	•	•	•	•	•
Compressor Time-Off Control	47J27	•	•	•	•	•	•	•
Freezestat	3/8 in. tubing 93G35	•	•	•	•	•	•	•
	5/8 in. tubing 50A93	•	•	•	•	•	•	•
Loss of Charge Switch Kit	84M23	•	•	•	•	•	•	•
Indoor Blower Off Delay Relay	58M81	•	•	•	•	•	•	•
<sup>4</sup> Low Ambient Kit (Fan Cycling)	34M72	•	•	•	•	•	•	•
Refrigerant Line Sets	L15-41-20, L15-41-30, L15-41-40, L15-41-50	•	•	•	•			
	L15-65-30, L15-65-40, L15-65-50					•	•	
	Field Fabricate							•

NOTE - Extremes of operating range are plus 10% and minus 5% of line voltage.

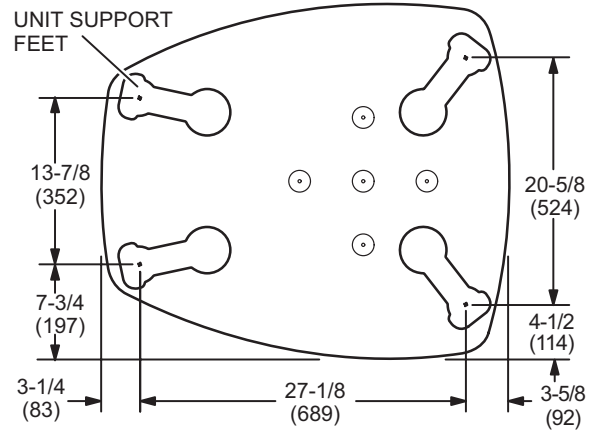
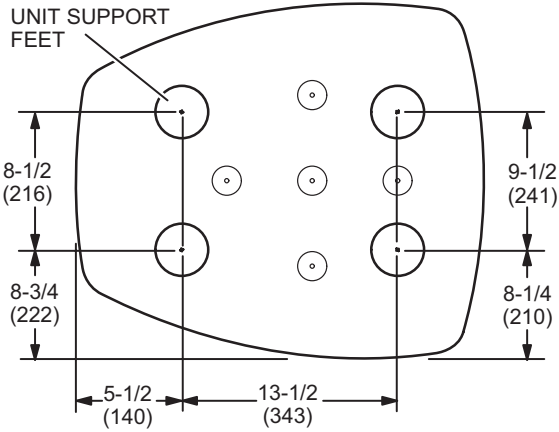
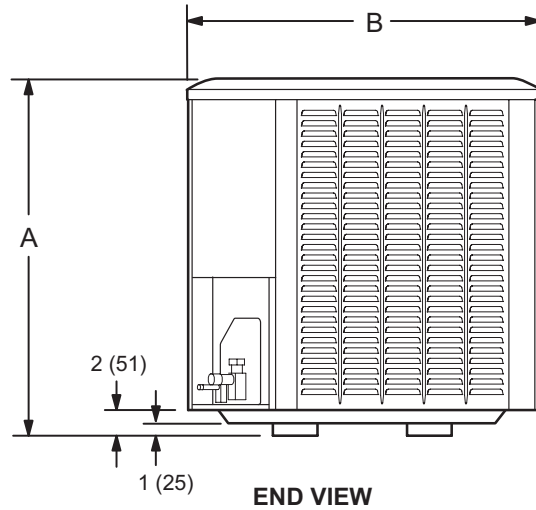
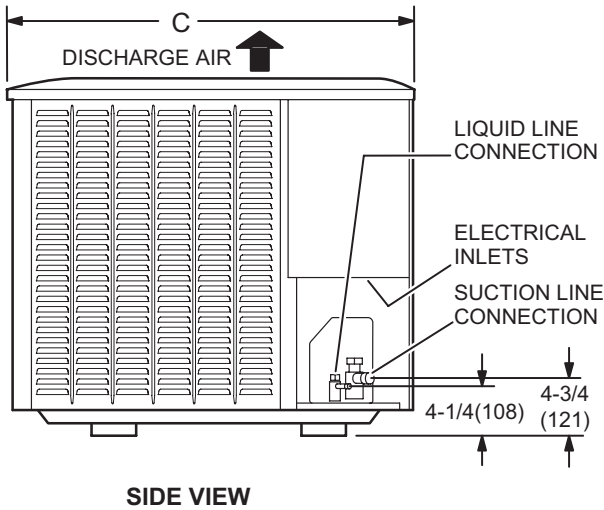
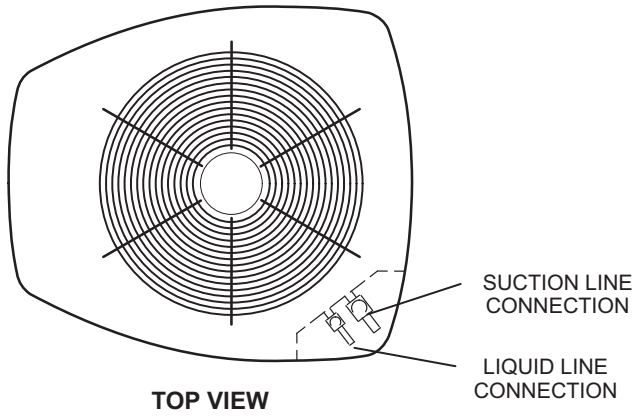
<sup>1</sup> Refrigerant charge sufficient for 15 ft. length of refrigerant lines.

<sup>2</sup> HACR type circuit breaker or fuse.

<sup>3</sup> Refer to National or Canadian Electrical Code manual to determine wire, fuse and disconnect size requirements.

<sup>4</sup> Crankcase Heater and Freezestat are recommended with Low Ambient Kit.

# DIMENSIONS



Model	A		B		C	
	in.	mm	in.	mm	in.	mm
018, 024	27	686	27	686	28	711
030, 036	31	787	27	686	28	711
042	39	991	30-1/2	775	35	889
048	35	889	30-1/2	775	35	889
060	31	787	30-1/2	775	35	889



## SOUND DATA

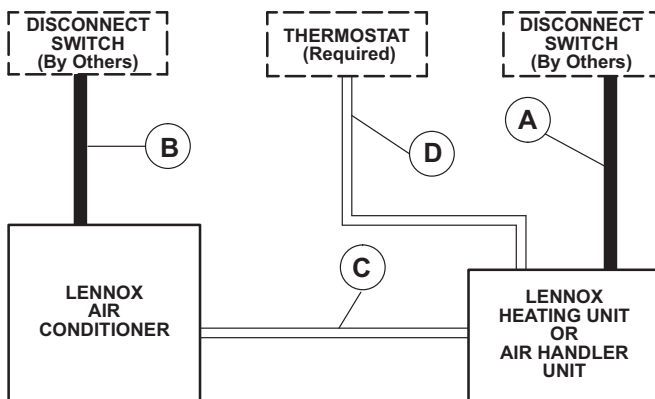
1 Unit Model	Octave Band Sound Power Levels dBA, re 10 <sup>-12</sup> Watts Center Frequency - HZ							1 Sound Rating Number (dBA)	2 Estimated Sound Pressure Level at Distance From Unit (dBA at distance in ft.)				
	125	250	500	1000	2000	4000	8000		3	5	10	15	50
018	67.5	66.5	68.5	66.5	60.5	56	52	74	67	62	56	53	42
024	69.5	66	68.5	65.5	61	61.5	58.5	74	67	62	56	53	42
030	70.5	71	73.5	70.5	67.5	61.5	57.5	76	69	64	58	55	44
036	69.5	72.5	74.5	71.5	68.5	63.5	58.5	76	69	64	58	55	44
042	73.5	71.5	72.5	69.5	65.5	60.5	57.5	76	69	64	58	55	44
048	73.5	72.5	72.5	71.5	66.5	61.5	61.5	76	69	64	58	55	44
060	75	72.5	73.5	71	65.5	61	60	76	69	64	58	55	44

NOTE - the octave sound power data does not include tonal correction.

<sup>1</sup> Tested according to AHRI Standard 270-2008 test conditions.

<sup>2</sup> Estimated sound pressure level at distance based on AHRI Standard 275-2010 method for equipment located on the ground, roof, or on side of building wall with no adjacent reflective surface within 9.8 feet. Sound pressure levels will increase based on changes to assumptions. For other applications, refer to AHRI Standard 275.

## FIELD WIRING



A - Two Wire Power (not furnished)

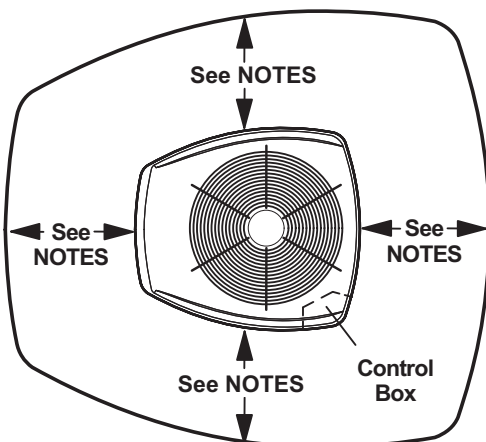
B - Two Power (not furnished). See Electrical Data

C - Four Wire Low Voltage (not furnished). 18 ga. minimum

D - Five Wire Low Voltage (not furnished). 18 ga. minimum

All wiring must conform to NEC or CEC and local electrical codes.

## INSTALLATION CLEARANCES



### NOTES:

Service clearance of 30 in. (762 mm) must be maintained on one of the sides adjacent to the control box.

Clearance to one of the other three sides must be 36 in. (914 mm)

Clearance to one of the remaining two sides may be 12 in. (305 mm) and the final side may be 6 in. (152 mm).

A clearance of 24 in. (610 mm) must be maintained between two units.

48 in. (1219 mm) clearance required on top of unit.

## TXV/ORIFICE USAGE

Use this table for C35, CH23, CH35 and CR33 Field Installed TXV/Orifice Match-Ups.

Outdoor Unit	Refrigerant Metering Orifice (RFC)		Thermal Expansion Valve (TXV)
	Order No.	Orifice Size	
018	<b>10W92</b>	0.050	<b>12J18</b>
024	<b>97M75</b>	0.057	<b>12J18</b>
030	<b>10W99</b>	0.065	<b>12J18</b>
036	<b>10W85</b>	0.072	<b>12J19</b>
042	<b>97M78</b>	0.076	<b>12J20</b>
048	<b>97M79</b>	0.082	<b>12J20</b>
060	<b>10M13</b>	0.090	<b>12J20</b>

CX35 and CHX35 coils and all Lennox air handlers are shipped with a factory installed TXV. In most cases, no change out of the valve is needed.

If a change out is required it will be listed in the "TXV SUBSTITUTIONS" table by size. The correct TXV must be ordered separately and field installed.

C35 and CH35 coils - Use the RFC orifice shipped with the outdoor unit or replace the factory installed RFC orifice with the expansion valve listed.

CR33 and CH23 coils - Use the RFC orifice shipped with the outdoor unit or use the expansion valve listed.

## TXV SUBSTITUTION

A general guide for replacing the factory installed TXV if the indoor unit (coil/air handler) is larger than the outdoor unit.

Outdoor Unit		Indoor Unit		TXV	TXV
Size	Tons	Size	Tons	Furnished	Replacement
024	2	38	3.5	<b>12J19</b>	<b>12J18</b>
024	2	42	3.5	<b>12J20</b>	<b>12J18</b>
024	2	48	4	<b>12J20</b>	<b>12J18</b>
024	2	49	4	<b>12J20</b>	<b>12J18</b>
030	2.5	38	3.5	<b>12J19</b>	<b>12J18</b>
030	2.5	42	3.5	<b>12J20</b>	<b>12J18</b>
030	2.5	43	3.5	<b>12J20</b>	<b>12J18</b>
030	2.5	44/48	4	<b>12J20</b>	<b>12J18</b>
030	2.5	48	4	<b>12J20</b>	<b>12J18</b>
030	2.5	50/60	4	<b>12J20</b>	<b>12J18</b>

### TXV Ranges:

**12J18** - 1.5 to 2.5 ton systems - Use on 2.5 ton and lower systems.

**12J19** - 3 ton systems - Use down to 2 ton systems.

**12J20** - 3.5 to 5 ton systems - Use down to 3 ton systems.

## AHRI STANDARD 210/240

Cooling or heating capacities are net values, including the effects of blower motor heat, and do not include supplementary heat. Power input is the total power input to the compressor(s) and fan(s), plus any controls and other items required as part of the system for normal operation.

Units which do not have an indoor air-circulating blower furnished as part of the model, i.e., split system with indoor coil only, is established by subtracting from the total cooling capacity 1250 Btu/h per 1,000 cfm, and by adding the same amount to the heating capacity. Total power input for both heating and cooling is increased by 365 W per 1,000 cfm of indoor air circulated.



## REVISIONS

Sections	Description of Change
Optional Accessories	Sound Cover updated.



Visit us at [www.lennox.com](http://www.lennox.com)

For the latest technical information, [www.LennoxPros.com](http://www.LennoxPros.com)

Contact us at 1-800-4-LENNOX

NOTE - Due to Lennox' ongoing commitment to quality, Specifications, Ratings and Dimensions subject to change without notice and without incurring liability. Improper installation, adjustment, alteration, service or maintenance can cause property damage or personal injury. Installation and service must be performed by a qualified installer and servicing agency.

©2020 Lennox Industries, Inc.