



SUBMITTAL DATA – WALL MOUNTED

MHA024S4S-1P – MWHA024S4-1P

SINGLE ZONE MINI-SPLIT HEAT PUMP

Job: _____
 Location: _____
 Schedule No.: _____
 System Designation: _____

Engineer: _____
 Architect: _____
 Date: _____
 For: Reference Approval Review Construction

FEATURES

Outdoor Unit: MHA024S4S-1P



- DC Inverter Control
- Compressor Overcurrent Protection
- Defrost Control

Indoor Unit: MWHA024S4-1P



- Pre-Heat Function
- Auto Restart
- Three Speed Fan
- Flare Connections
- Multi-Refrigerant Outlet
- LED Readout
- Wireless Remote Included

PIPING

Line Set and Elevation Guidelines

Maximum Line Set Length ft. (m)	98 (30)
Maximum Elevation - Outdoor Unit Below/Above Indoor Unit ft. (m)	66 (20)
Liquid Line Set Diameter (in.)	3/8
Gas Line Set Diameter (in.)	5/8
Pre-Charged (ft.)	25
Additional Charge Per Ft. (oz.)	0.322

PRODUCT WARRANTY

Compressor – Seven year limited warranty
 All other covered components - Five year limited warranty

OPTIONAL ACCESSORIES

Non-Programmable Controller (M0STAT61Q-1)
 Programmable Controller (M0STAT64Q-1)
 Hail Guards (M9GARD15Q-1)



NOTE – Due to Lennox' ongoing commitment to quality, Specifications, Ratings, and Dimensions are subject to change without notice and without incurring liability. Improper installation, adjustment, alteration, service or maintenance can cause property damage or personal injury. Installation and service must be performed by a qualified installer and servicing agency.



SUBMITTAL DATA – WALL MOUNTED

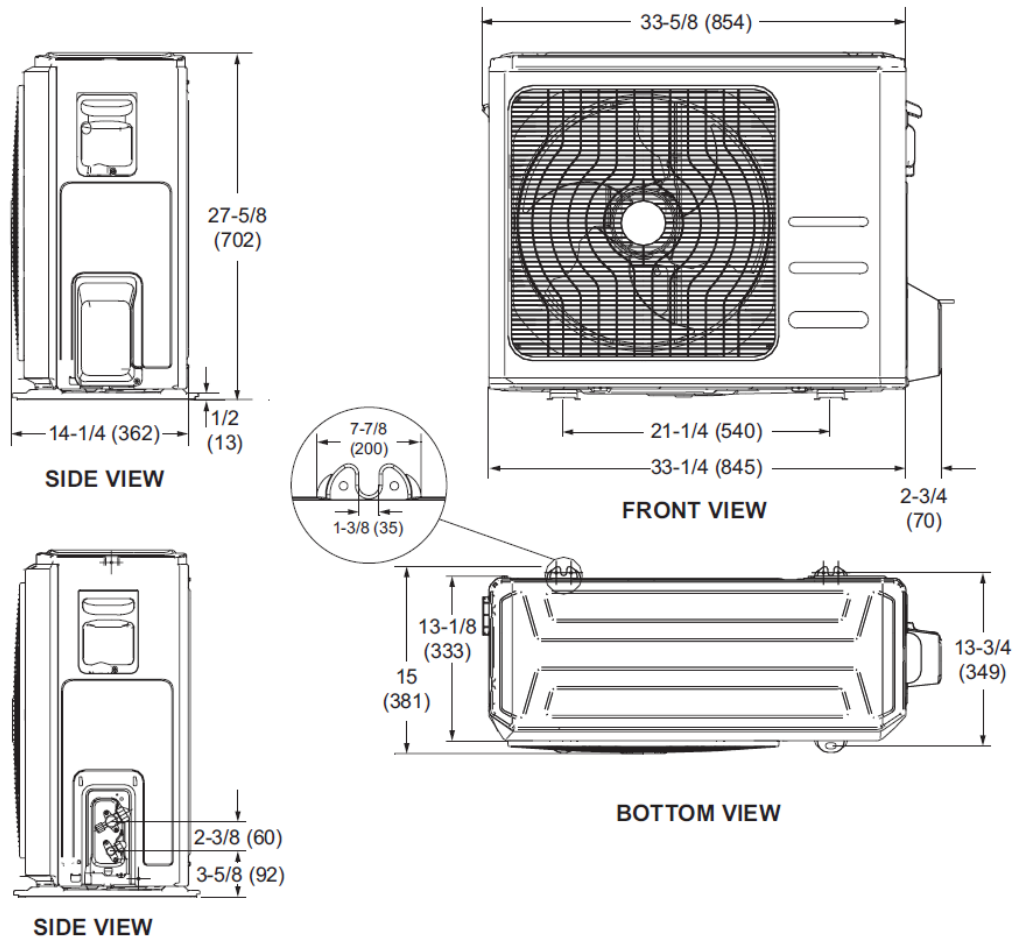
MHA024S4S-1P – MWHA024S4-1P

SINGLE ZONE MINI-SPLIT HEAT PUMP

OUTDOOR SPECIFICATIONS

PERFORMANCE		GENERAL DATA	
Cooling Capacity (Btu/h) ¹	24,000	Connection Ratio (%)	100%
EER	9.5	Max. # of Indoor Units	1 unit
SEER	17.0	Sound Data (dBA)	58
Heating Capacity (Btu/h) ¹	24,000	Refrigerant type	R-410A
HSPF	9.5	Factory refrigerant charge	3 lbs. 15 oz.
Outdoor Fan Total Air Volume (CFM)	1,825	DIMENSIONS	
Ambient Temperature Operating Range		Unit Dimensions (in)	Height 27-5/8
Cooling	5°F - 122°F		Width 33-5/8
Heating	5°F - 86°F		Depth 13-3/4
ELECTRICAL DATA		Shipping Weight (lb)	113
Power Supply (V/Hz/Φ)	208-230/60/1	Net Weight (lb)	106
Minimum Circuit Ampacity (A)	20	NOTES	
Maximum Overcurrent Protection (A)	25	1. Cooling and Heating Capacity data is rated at the following conditions:	
Outdoor Fan Motor RLA (A)	0.6	Cooling: 80°FDB / 67°FWB Indoor, 95°FDB Outdoor	
Compressor RLA (A)	15	Heating: 70°FDB Indoor, 47°FDB / 43°FWB Outdoor	
No. of Compressors	1		

OUTDOOR DIMENSIONAL DRAWINGS - INCHES (MM)



NOTE – Due to Lennox' ongoing commitment to quality, Specifications, Ratings, and Dimensions are subject to change without notice and without incurring liability. Improper installation, adjustment, alteration, service or maintenance can cause property damage or personal injury. Installation and service must be performed by a qualified installer and servicing agency.



SUBMITTAL DATA – **WALL-MOUNTED**

MHA024S4S-1P – MWHA024S4-1P

SINGLE ZONE MINI-SPLIT HEAT PUMP

INDOOR SPECIFICATIONS

PERFORMANCE

Airflow (CFM)	High	706
	Medium	588
	Low	450
Sound Pressure (dBA)	High	48
	Medium	42.5
	Low	34

ELECTRICAL DATA

Power Supply (V/Hz/Φ)	Supplied by ODU
Rated load amps (RLA)	0.37
Power Output (W)	60

DIMENSIONS

Unit Dimensions (in)	Height	13-1/4
	Width	44
	Depth	10-1/4

Unit Net/Shipping Weight (lb)	31/40
-------------------------------	-------

PIPING

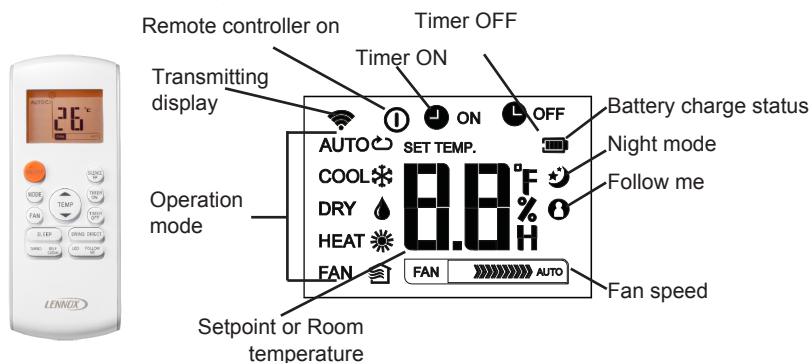
Liquid/Gas O.D. Flare (in.)	3/8 , 5/8
Drain Connection O.D. (in.)	1

WIRELESS REMOTE CONTROLLER SPECIFICATIONS

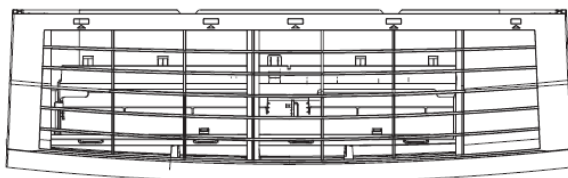
M0STAT60Q-1

Power Supply	2 AAA Batteries (Included)
Setpoint Range	62°F - 86°F
Operating Temperature Range	23°F - 140°F
Operating Humidity Range (RH)	40% to 90%
Effective Receiving Range	25 ft.

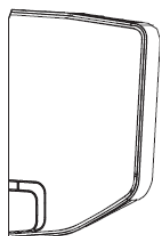
DISPLAY



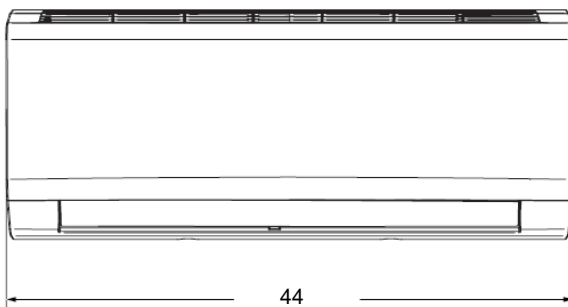
INDOOR DIMENSIONAL DRAWINGS - INCHES (MM)



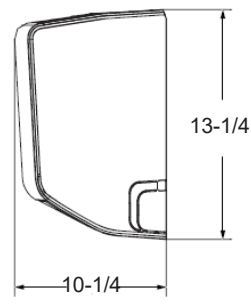
TOP VIEW



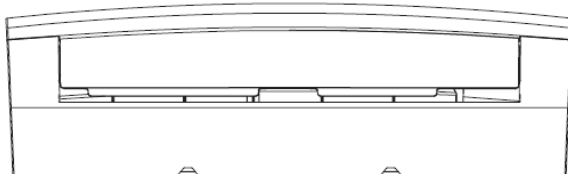
SIDE VIEW



FRONT VIEW



SIDE VIEW



BOTTOM VIEW

NOTE – Due to Lennox' ongoing commitment to quality, Specifications, Ratings, and Dimensions are subject to change without notice and without incurring liability. Improper installation, adjustment, alteration, service or maintenance can cause property damage or personal injury. Installation and service must be performed by a qualified installer and servicing agency.