



SUBMITTAL DATA – CEILING CASSETTE

M22A018S4-2P

MULTI-ZONE MINI-SPLIT HEAT PUMP

Job: _____

Location: _____

Schedule No.: _____

System Designation: _____

Engineer: _____

Architect: _____

Date: _____

For: Reference Approval Review Construction

FEATURES

- Pre Heat Function
- Auto Restart
- 360° Airflow Panel
- Built-In Condensate Pump
- Flare Connections
- LED Readout Panel
- Refrigerant R-410A
- Wireless Remote Controller included

Product Warranty

All covered components - Twelve year limited warranty.
Product registration required.

SPECIFICATIONS

PERFORMANCE

Cooling Capacity ¹ (Btu/h)		16,000
Heating Capacity ¹ (Btu/h)		18,000
Airflow (CFM)	High	420
	Medium	350
	Low	290
External Static Pressure (in. w.g.)		-
Sound Pressure (dBA)	High	46
	Medium	43
	Low	41

ELECTRICAL DATA

Power Supply (V/Hz/Φ)	208-230/60/1
Rated load amps (RLA)	1.5
Power Output (W)	46

DIMENSIONS

Unit Dimensions (in)	Height	10-3/8
	Width	22-1/2
	Depth	22-1/2
Liquid Pipe Connection (in)		1/4
Gas Pipe Connection (in)		1/2
Condensate drain connection (in)		1
Unit Shipping Weight (lb)		47
Unit Net Weight (lb)		40



OPTIONAL ACCESSORIES

Non-Programmable Controller (M0STAT61Q-1):	
Wireless Remote Controller (M0STAT60Q-1):	1+
Programmable Controller (M0STAT64Q-1):	

NOTES

1. Cooling and Heating capacity data is rated at the following conditions:
Cooling: 80°FDB / 67°FWB Indoor, 95°FDB Outdoor
Heating: 70°FDB Indoor, 47°FDB / 43°FWB Outdoor
2. Cassette Panel (M0STAT62Q-1) ordered separately.

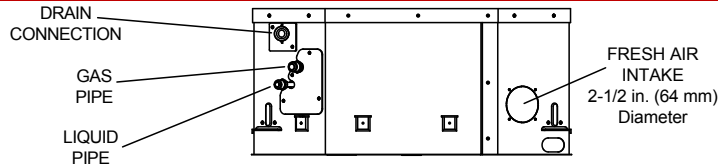


NOTE – Due to Lennox' ongoing commitment to quality, Specifications, Ratings and Dimensions subject to change without notice and without incurring liability. Improper installation, adjustment, alteration, service or maintenance can cause property damage or personal injury. Installation and service must be performed by a qualified installer and servicing agency.

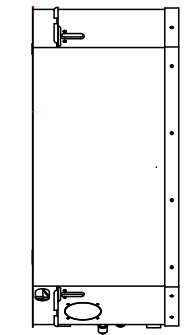


SUBMITTAL DATA - CEILING CASSETTE
M22A018S4-2P
MULTI-ZONE MINI-SPLIT HEAT PUMP

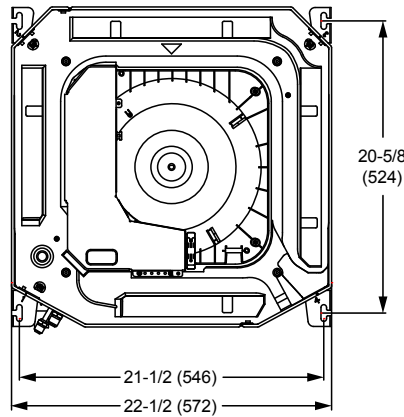
DIMENSIONAL DRAWINGS - INCHES (MM)



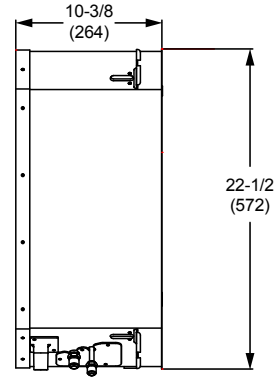
SIDE VIEW



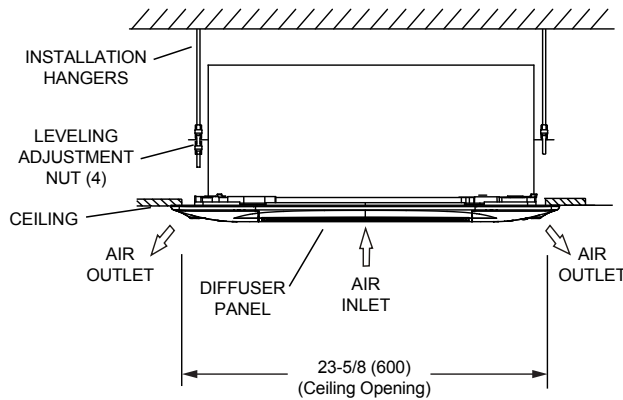
LEFT SIDE VIEW



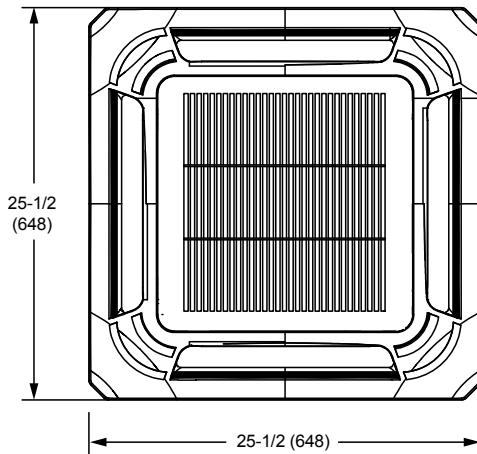
BOTTOM VIEW (Body)



RIGHT SIDE VIEW



SIDE VIEW



BOTTOM VIEW (Panel)

NOTE - Due to Lennox' ongoing commitment to quality, Specifications, Ratings and Dimensions subject to change without notice and without incurring liability. Improper installation, adjustment, alteration, service or maintenance can cause property damage or personal injury. Installation and service must be performed by a qualified installer and servicing agency.