



SUBMITTAL DATA – CEILING CASSETTE

MLA009S4S-1P – M22A009S4-2P

SINGLE ZONE MINI-SPLIT HEAT PUMP

Job: _____
Location: _____
Schedule No.: _____
System Designation: _____

Engineer: _____
Architect: _____
Date: _____
For: Reference Approval Review Construction

FEATURES

MLA009S4S-1P

- DC Inverter Control
- Base Pan Heater
- Low Ambient Cooling/Heating
- Defrost Control
- Crankcase Heater

M22A009S4-2P

- Pre Heat Function
- Built-In Condensate Pump
- Flare Connections
- R-410A Refrigerant
- Auto Restart
- Four selectable fan speeds
- LED Display
- Wireless Remote Included

OUTDOOR SPECIFICATIONS

PERFORMANCE

| | |
|---------------------------------------|-------------|
| Cooling Capacity (Btu/h) ¹ | 9,000 |
| EER | 13 |
| SEER | 19.5 |
| Heating Capacity (Btu/h) ¹ | 10,000 |
| HSPF | 10 |
| Outdoor Fan Total Air Volume (CFM) | 1,120 |
| Ambient Temperature Operating Range | |
| Cooling | -22 - 122°F |
| Heating | -22 - 86°F |

ELECTRICAL DATA

| | |
|------------------------------------|--------------|
| Power Supply (V/Hz/Φ) | 208-230/60/1 |
| Minimum Circuit Ampacity (A) | 9 |
| Maximum Overcurrent Protection (A) | 15 |
| Outdoor Fan Motor RLA (A) | 0.38 |
| Compressor RLA (A) | 5.25 |
| No. of Compressors | 1 |

GENERAL DATA

| | |
|------------------------------------|--------------|
| Connection Ratio (%) | 100% |
| Max. # of Indoor Units | 1 unit |
| Sound Data (dBA) - Cooling/Heating | 52/57 |
| Refrigerant type | R-410A |
| Factory refrigerant charge | 3 lbs. 3 oz. |

DIMENSIONS

| | | |
|----------------------|--------|--------|
| Unit Dimensions (in) | Height | 21-3/4 |
| | Width | 34-1/4 |
| | Depth | 14-5/8 |
| Shipping Weight (lb) | | 94 |
| Net Weight (lb) | | 88 |

PRODUCT WARRANTY

Product Warranty

Compressor – Twelve year limited warranty.
 All other covered components – Twelve year limited warranty.
 Product registration required.



OPTIONAL ACCESSORIES

| | |
|---|----|
| Non-Programmable Controller (M0STAT61Q-1) | |
| Wireless Remote Controller (M0STAT60Q-1) | 1+ |
| Programmable Controller (M0STAT64Q-1) | |

INDOOR SPECIFICATIONS

PERFORMANCE

| | | |
|-------------------------------------|--------|-----|
| Airflow (CFM) | High | 380 |
| | Medium | 320 |
| | Low | 260 |
| External Static Pressure (in. w.g.) | | - |
| Sound Pressure (dBA) | High | 41 |
| | Medium | 39 |
| | Low | 37 |

ELECTRICAL DATA

| | |
|-----------------------|-----------------|
| Power Supply (V/Hz/Φ) | Supplied by ODU |
| Rated load amps (RLA) | 0.9 |
| Power Output (W) | 46 |

DIMENSIONS

| | | |
|----------------------------------|--------|--------|
| Unit Dimensions (in) | Height | 10-3/8 |
| | Width | 22-1/2 |
| | Depth | 22-1/2 |
| Liquid Pipe Connection (in) | | 1/4 |
| Gas Pipe Connection (in) | | 3/8 |
| Condensate drain connection (in) | | 1 |
| Unit Shipping Weight (lb) | | 42 |
| Unit Net Weight (lb) | | 36 |

NOTES

- Cooling and Heating Capacity data is rated at the following conditions:
 Cooling: 80°FDB / 67°FWB Indoor, 95°FDB Outdoor
 Heating: 70°FDB Indoor, 47°FDB / 43°FWB Indoor
- Cassette Panel (M0STAT62Q-1) ordered separately.

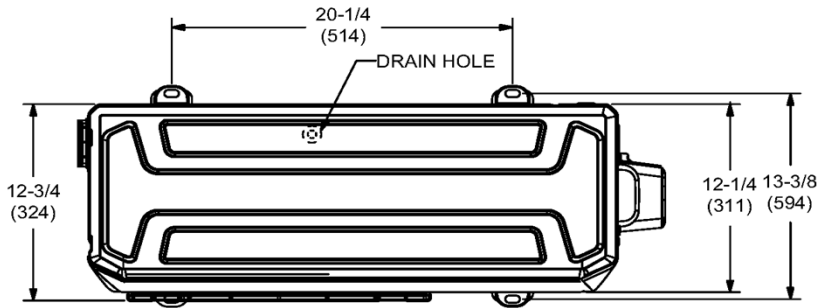


NOTE – Due to Lennox' ongoing commitment to quality, Specifications, Ratings, and Dimensions are subject to change without notice and without incurring liability. Improper installation, adjustment, alteration, service or maintenance can cause property damage or personal injury. Installation and service must be performed by a qualified installer and servicing agency.

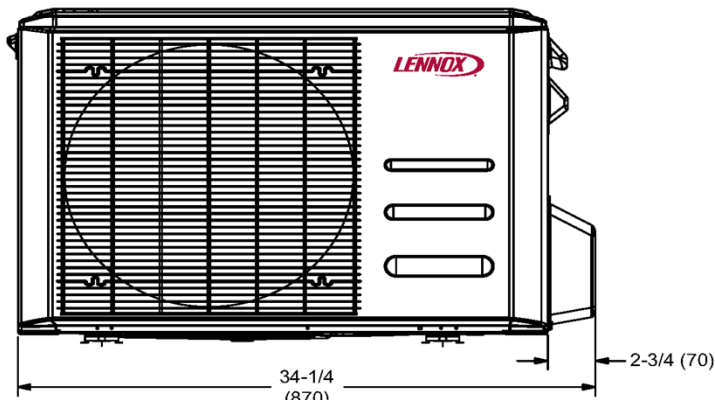


SUBMITTAL DATA - CEILING CASSETTE
MLA009S4S-1P - M22A009S4-2P
SINGLE ZONE MINI-SPLIT HEAT PUMP

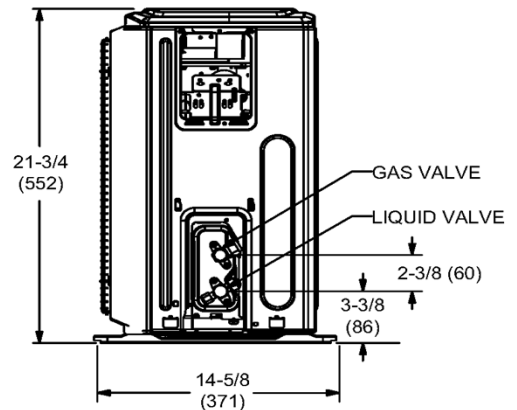
OUTDOOR DIMENSIONAL DRAWINGS - INCHES (MM)



TOP VIEW



FRONT VIEW



SIDE VIEW

NOTE - Due to Lennox' ongoing commitment to quality, Specifications, Ratings, and Dimensions are subject to change without notice and without incurring liability. Improper installation, adjustment, alteration, service or maintenance can cause property damage or personal injury. Installation and service must be performed by a qualified installer and servicing agency.

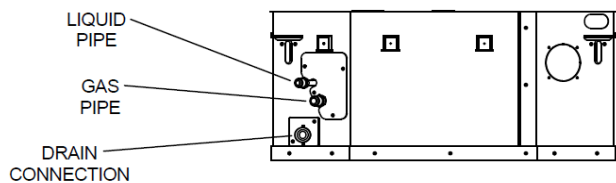


SUBMITTAL DATA - CEILING CASSETTE

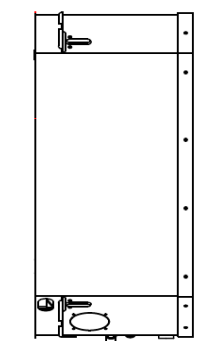
MLA009S4S-1P - M22A009S4-2P

SINGLE ZONE MINI-SPLIT HEAT PUMP

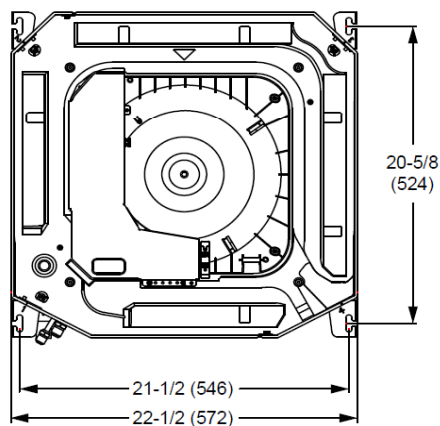
INDOOR DIMENSIONAL DRAWINGS - INCHES (MM)



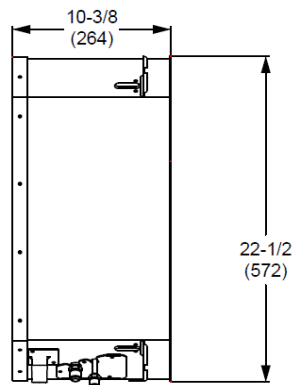
PLUMBING VIEW



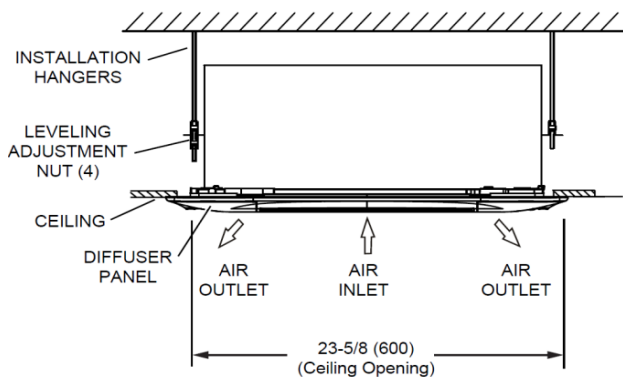
LEFT SIDE VIEW



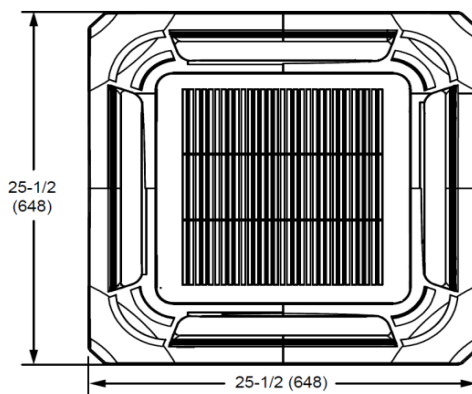
BOTTOM VIEW (Body)



RIGHT SIDE VIEW



SIDE VIEW



BOTTOM VIEW (Panel)

NOTE - Due to Lennox' ongoing commitment to quality, Specifications, Ratings, and Dimensions are subject to change without notice and without incurring liability. Improper installation, adjustment, alteration, service or maintenance can cause property damage or personal injury. Installation and service must be performed by a qualified installer and servicing agency.