



**SUBMITTAL DATA – DUCTED
MLA009S4S-1P – MMDA009S4-1P
SINGLE ZONE MINI-SPLIT HEAT PUMP**

Job: _____
Location: _____
Schedule No.: _____
System Designation: _____

Engineer: _____
Architect: _____
Date: _____
For: Reference Approval Review Construction

FEATURES

MLA009S4S-1P

- DC Inverter Control
- Base Pan Heater
- Low Ambient Cooling/Heating
- Defrost Control
- Crankcase Heater

MMDA009S4-1P

- Pre Heat Function
- Built-In Condensate Pump
- Flare Connections
- R-410A Refrigerant
- Auto Restart
- Three selectable fan speeds
- LED Display
- Wired Controller Included

OUTDOOR SPECIFICATIONS

PERFORMANCE

Cooling Capacity (Btu/h) ¹	9,000
EER	13
SEER	19
Heating Capacity (Btu/h) ¹	10,000
HSPF	10
Outdoor Fan Total Air Volume (CFM)	1,120
Ambient Temperature Operating Range	
Cooling	-22 - 122°F
Heating	-22 - 86°F

ELECTRICAL DATA

Power Supply (V/Hz/Φ)	208-230/60/1
Minimum Circuit Ampacity (A)	9
Maximum Overcurrent Protection (A)	15
Outdoor Fan Motor RLA (A)	0.38
Compressor RLA (A)	5.25
No. of Compressors	1

GENERAL DATA

Connection Ratio (%)	100%
Max. # of Indoor Units	1 unit
Sound Data (dBA) - Cooling/Heating	52/57
Refrigerant type	R-410A
Factory refrigerant charge	3 lbs. 3 oz.

DIMENSIONS

Unit Dimensions (in)	Height	21-3/4
	Width	34-1/4
	Depth	14-5/8
Shipping Weight (lb)		94
Net Weight (lb)		88

PRODUCT WARRANTY

Compressor – Seven year limited warranty.
 All other components – Five year limited warranty.

OPTIONAL ACCESSORIES

Non-Programmable Controller (M0STAT61Q-1)	
Wireless Remote Controller (M0STAT60Q-1)	1+

INDOOR SPECIFICATIONS

PERFORMANCE

Airflow (CFM)	High	400
	Medium	330
	Low	270
External Static Pressure (in. w.g.)		0.16
Sound Pressure (dBA)	High	37
	Medium	34
	Low	31

ELECTRICAL DATA

Power Supply (V/Hz/Φ)	Supplied by ODU
Rated load amps (RLA)	0.9
Power Output (W)	55

DIMENSIONS

Unit Dimensions (in)	Height	8-1/4
	Width	31-1/8
	Depth	25
Liquid Pipe Connection (in)		1/4
Gas Pipe Connection (in)		3/8
Condensate drain connection (in)		1
Unit Shipping Weight (lb)		51
Unit Net Weight (lb)		40

NOTES

- Cooling and Heating Capacity data is rated at the following conditions:
 Cooling: 80°FDB / 67°FWB Indoor, 95°FDB Outdoor
 Heating: 70°FDB Indoor, 47°FDB / 43°FWB Indoor

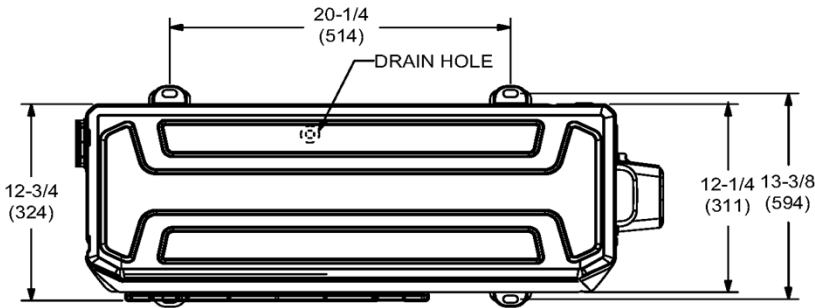


NOTE – Due to Lennox' ongoing commitment to quality, Specifications, Ratings, and Dimensions are subject to change without notice and without incurring liability. Improper installation, adjustment, alteration, service or maintenance can cause property damage or personal injury. Installation and service must be performed by a qualified installer and servicing agency.

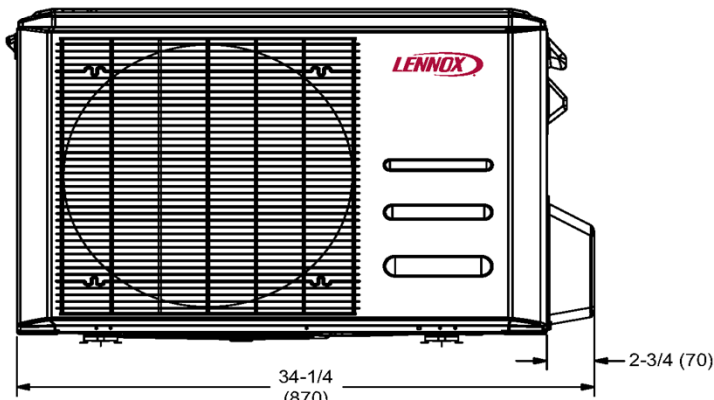


SUBMITTAL DATA - DUCTED
MLA009S4S-1P - MMDA009S4-1P
SINGLE ZONE MINI-SPLIT HEAT PUMP

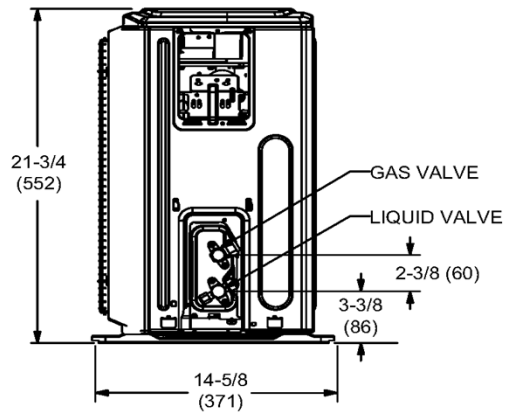
OUTDOOR DIMENSIONAL DRAWINGS - INCHES (MM)



TOP VIEW



FRONT VIEW



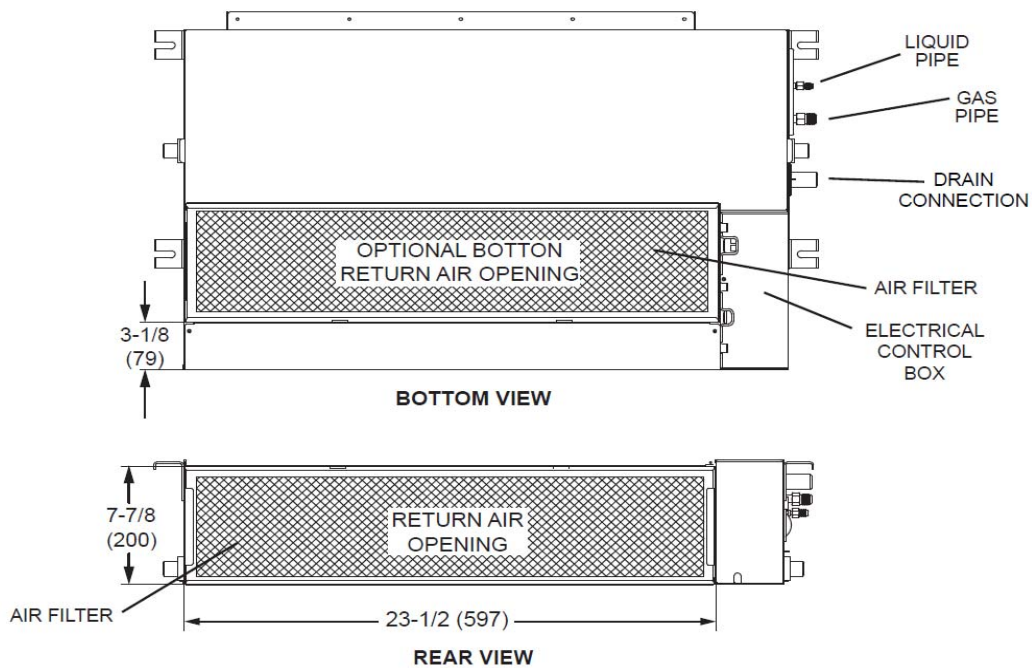
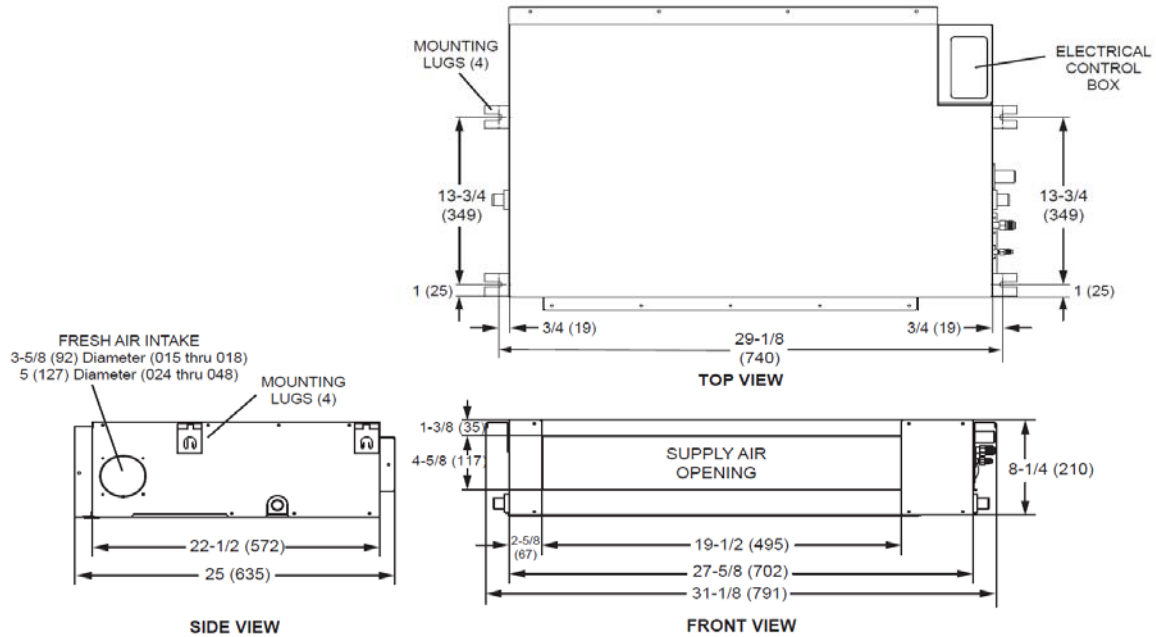
SIDE VIEW

NOTE - Due to Lennox' ongoing commitment to quality, Specifications, Ratings, and Dimensions are subject to change without notice and without incurring liability. Improper installation, adjustment, alteration, service or maintenance can cause property damage or personal injury. Installation and service must be performed by a qualified installer and servicing agency.



SUBMITTAL DATA - DUCTED
 MLA009S4S-1P - MMDA009S4-1P
 SINGLE ZONE MINI-SPLIT HEAT PUMP

INDOOR DIMENSIONAL DRAWINGS - INCHES (MM)



NOTE - Due to Lennox' ongoing commitment to quality, Specifications, Ratings, and Dimensions are subject to change without notice and without incurring liability. Improper installation, adjustment, alteration, service or maintenance can cause property damage or personal injury. Installation and service must be performed by a qualified installer and servicing agency.