



SUBMITTAL DATA – DUCTED MLA012S4S-1P – MMDA012S4-2P SINGLE ZONE MINI-SPLIT HEAT PUMP

Job: _____
Location: _____
Schedule No.: _____
System Designation: _____

Engineer: _____
Architect: _____
Date: _____
For: Reference Approval Review Construction

FEATURES

MLA012S4S-1P

- DC Inverter Control
- Base Pan Heater
- Low Ambient Cooling/Heating
- Defrost Control
- Crankcase Heater

MMDA012S4-2P

- Pre Heat Function
- Built-In Condensate Pump
- Flare Connections
- R-410A Refrigerant
- Auto Restart
- Three selectable fan speeds
- LED Display
- Wired Controller Included

OUTDOOR SPECIFICATIONS

PERFORMANCE

| | |
|---------------------------------------|-------------|
| Cooling Capacity (Btu/h) ¹ | 11,500 |
| EER | 12.5 |
| SEER | 19 |
| Heating Capacity (Btu/h) ¹ | 12,000 |
| HSPF | 10 |
| Outdoor Fan Total Air Volume (CFM) | 1,180 |
| Ambient Temperature Operating Range | |
| Cooling | -22 - 122°F |
| Heating | -22 - 86°F |

ELECTRICAL DATA

| | |
|------------------------------------|--------------|
| Power Supply (V/Hz/Φ) | 208-230/60/1 |
| Minimum Circuit Ampacity (A) | 9 |
| Maximum Overcurrent Protection (A) | 15 |
| Outdoor Fan Motor RLA (A) | 0.38 |
| Compressor RLA (A) | 5.65 |
| No. of Compressors | 1 |

GENERAL DATA

| | |
|------------------------------------|--------------|
| Connection Ratio (%) | 100% |
| Max. # of Indoor Units | 1 unit |
| Sound Data (dBA) - Cooling/Heating | 52/57 |
| Refrigerant type | R-410A |
| Factory refrigerant charge | 3 lbs. 3 oz. |

DIMENSIONS

| | | |
|----------------------|--------|--------|
| Unit Dimensions (in) | Height | 21-3/4 |
| | Width | 34-1/4 |
| | Depth | 14-5/8 |
| Shipping Weight (lb) | | 94 |
| Net Weight (lb) | | 88 |

PRODUCT WARRANTY

Compressor – Seven year limited warranty.
 All other components – Five year limited warranty.

OPTIONAL ACCESSORIES

| | |
|---|----|
| Non-Programmable Controller (M0STAT61Q-1) | 1+ |
| Wireless Remote Controller (M0STAT60Q-1) | |
| Programmable Controller (M0STAT64Q-1) | |

INDOOR SPECIFICATIONS

PERFORMANCE

| | | |
|-------------------------------------|--------|-----|
| Airflow (CFM) | High | 400 |
| | Medium | 330 |
| | Low | 270 |
| External Static Pressure (in. w.g.) | | 0 |
| Sound Pressure (dBA) | High | 39 |
| | Medium | 36 |
| | Low | 32 |

ELECTRICAL DATA

| | |
|-----------------------|-----------------|
| Power Supply (V/Hz/Φ) | Supplied by ODU |
| Rated load amps (RLA) | 1 |
| Power Output (W) | 55 |

DIMENSIONS

| | | |
|----------------------------------|--------|--------|
| Unit Dimensions (in) | Height | 8-1/4 |
| | Width | 31-1/8 |
| | Depth | 25 |
| Liquid Pipe Connection (in) | | 1/4 |
| Gas Pipe Connection (in) | | 1/2 |
| Condensate drain connection (in) | | 1 |
| Unit Shipping Weight (lb) | | 51 |
| Unit Net Weight (lb) | | 40 |

NOTES

- Cooling and Heating Capacity data is rated at the following conditions:
 Cooling: 80°FDB / 67°FWB Indoor, 95°FDB Outdoor
 Heating: 70°FDB Indoor, 47°FDB / 43°FWB Indoor

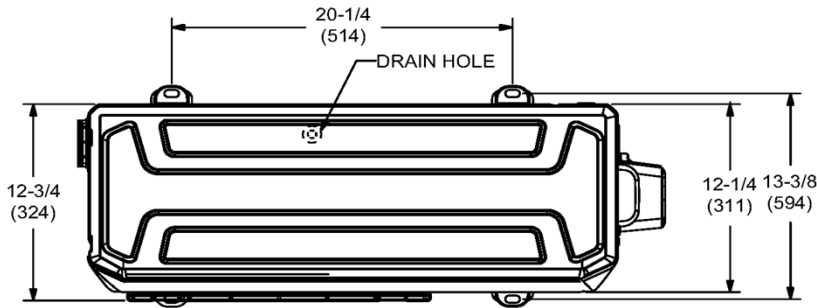


NOTE – Due to Lennox' ongoing commitment to quality, Specifications, Ratings, and Dimensions are subject to change without notice and without incurring liability. Improper installation, adjustment, alteration, service or maintenance can cause property damage or personal injury. Installation and service must be performed by a qualified installer and servicing agency.

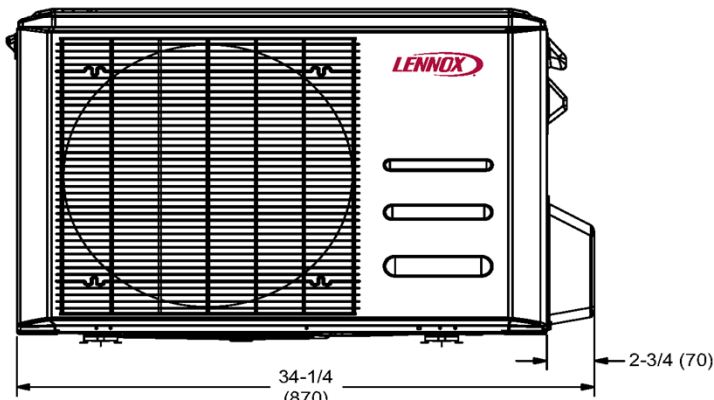


SUBMITTAL DATA - DUCTED
MLA012S4S-1P - MMDA012S4-2P
SINGLE ZONE MINI-SPLIT HEAT PUMP

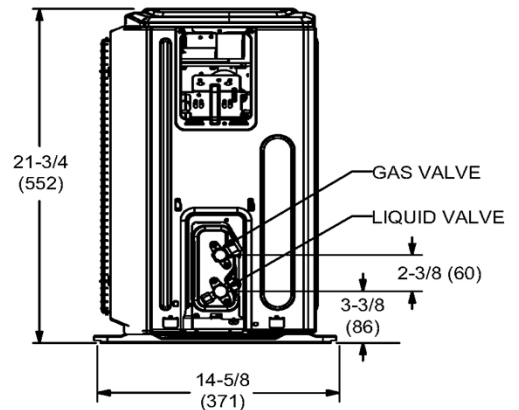
OUTDOOR DIMENSIONAL DRAWINGS - INCHES (MM)



TOP VIEW



FRONT VIEW



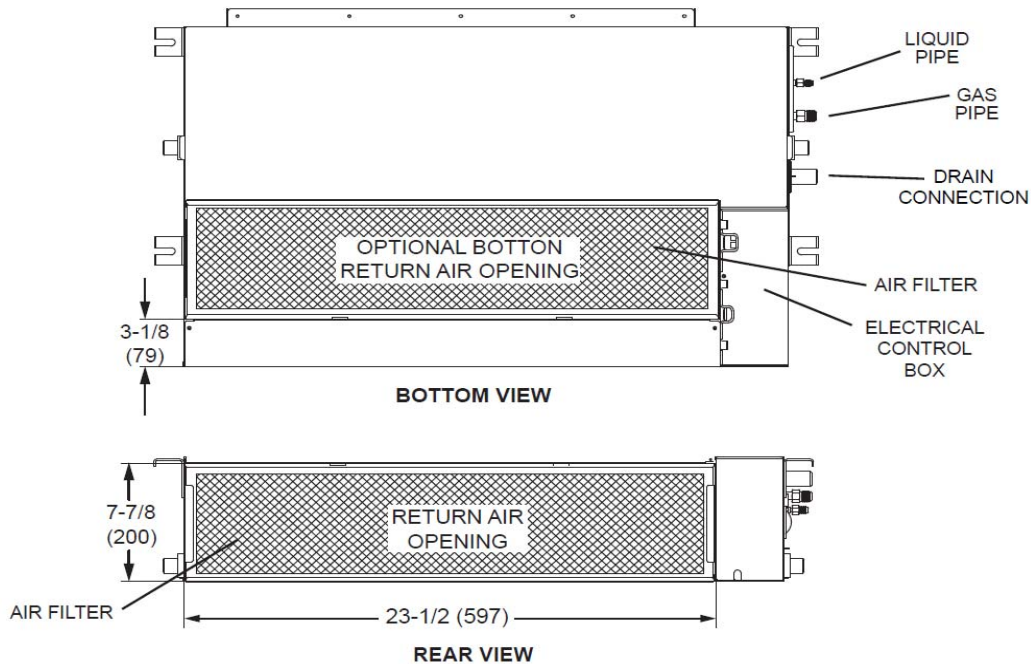
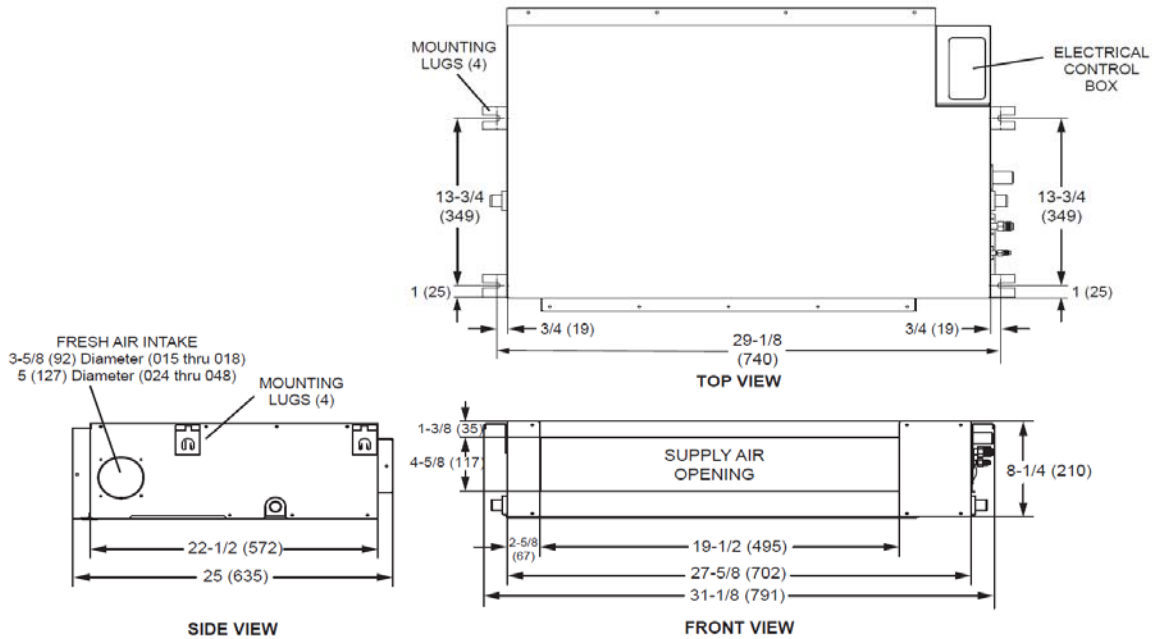
SIDE VIEW

NOTE - Due to Lennox' ongoing commitment to quality, Specifications, Ratings, and Dimensions are subject to change without notice and without incurring liability. Improper installation, adjustment, alteration, service or maintenance can cause property damage or personal injury. Installation and service must be performed by a qualified installer and servicing agency.



SUBMITTAL DATA - DUCTED
 MLA012S4S-1P - MMDA012S4-2P
 SINGLE ZONE MINI-SPLIT HEAT PUMP

INDOOR DIMENSIONAL DRAWINGS - INCHES (MM)



NOTE - Due to Lennox' ongoing commitment to quality, Specifications, Ratings, and Dimensions are subject to change without notice and without incurring liability. Improper installation, adjustment, alteration, service or maintenance can cause property damage or personal injury. Installation and service must be performed by a qualified installer and servicing agency.