



# SUBMITTAL DATA – OUTDOOR UNIT

## MLA018S4M-1P

### MULTI-ZONE MINI-SPLIT HEAT PUMP

**Job:** \_\_\_\_\_  
**Location:** \_\_\_\_\_  
**Schedule No.:** \_\_\_\_\_  
**System Designation:** \_\_\_\_\_

**Engineer:** \_\_\_\_\_  
**Architect:** \_\_\_\_\_  
**Date:** \_\_\_\_\_  
**For:**  Reference  Approval  Review  Construction

### FEATURES

#### MLA018S4M-1P

- DC Inverter Control
- Base Pan Heater
- Low Ambient Cooling/Heating
- Defrost Control
- Crankcase Heater

### OUTDOOR SPECIFICATIONS

#### PERFORMANCE

Cooling Capacity (Btu/h) <sup>1</sup>	Ducted	18,000
	Non-Ducted	19,000
EER	Ducted	11
	Non-Ducted	12.5
SEER	Ducted	16.8
	Non-Ducted	21.5
Heating Capacity (Btu/h) <sup>1</sup>	Ducted	18,000
	Non-Ducted	20,000
HSPF	Ducted	8.6
	Non-Ducted	9.8
Outdoor Fan Total Air Volume (CFM)		2130
Ambient Temperature Operating Range		
Cooling	-22 - 122°F	
Heating	-22 - 86°F	

#### ELECTRICAL DATA

Power Supply (V/Hz/Φ)	208-230/60/1
Minimum Circuit Ampacity (A)	19.0
Maximum Overcurrent Protection (A)	25.0
Outdoor Fan Motor RLA (A)	0.9
Compressor RLA (A)	20
No. of Compressors	1

#### GENERAL DATA

Connection Ratio (%)	66% to 133%
Max. # of Indoor Units	Up to 2 units
Sound Data (dBA) - Cooling/Heating	63/63
Refrigerant type	R-410A
Factory refrigerant charge	6 lbs. 3 oz.

### PRODUCT WARRANTY

#### Product Warranty

Compressor – Twelve year limited warranty.  
 All other covered components – Twelve year limited warranty.  
 Product registration required.



#### DIMENSIONS

Unit Dimensions (in)	Height	31-7/8
	Width	40-5/8
	Depth	16-5/8
Shipping Weight (lb)		161
Net Weight (lb)		150

#### NOTES

- Cooling and Heating Capacity data is rated at the following conditions:  
 Cooling: 80°FDB / 67°FWB Indoor, 95°FDB Outdoor  
 Heating: 70°FDB Indoor, 47°FDB / 43°FWB Indoor

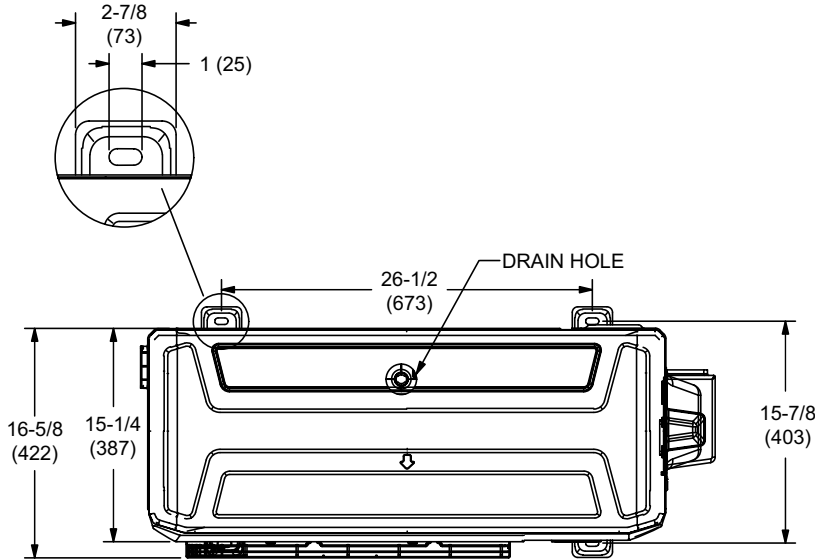


NOTE – Due to Lennox' ongoing commitment to quality, Specifications, Ratings, and Dimensions are subject to change without notice and without incurring liability. Improper installation, adjustment, alteration, service or maintenance can cause property damage or personal injury. Installation and service must be performed by a qualified installer and servicing agency.

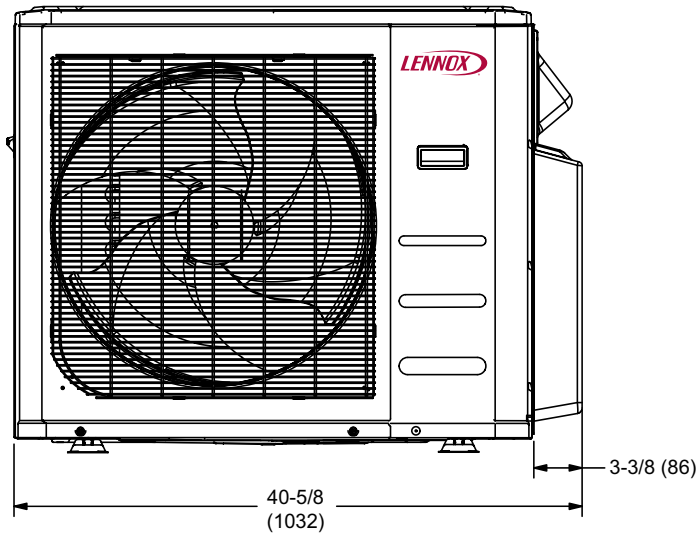


SUBMITTAL DATA - OUTDOOR UNIT  
MLA018S4M-1P  
MULTI-ZONE MINI-SPLIT HEAT PUMP

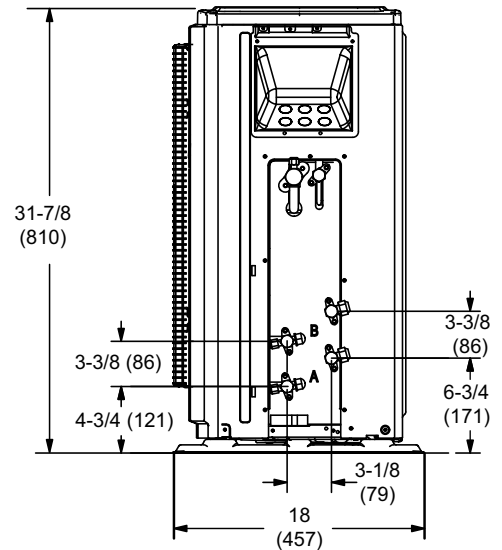
OUTDOOR DIMENSIONAL DRAWINGS - INCHES (MM)



TOP VIEW



FRONT VIEW



SIDE VIEW

NOTE - Due to Lennox' ongoing commitment to quality, Specifications, Ratings, and Dimensions are subject to change without notice and without incurring liability. Improper installation, adjustment, alteration, service or maintenance can cause property damage or personal injury. Installation and service must be performed by a qualified installer and servicing agency.