



SUBMITTAL DATA – OUTDOOR UNIT  
 MLA018S4M-2P  
 MULTI-ZONE MINI-SPLIT HEAT PUMP

**Job:** \_\_\_\_\_  
**Location:** \_\_\_\_\_  
**Schedule No.:** \_\_\_\_\_  
**System Designation:** \_\_\_\_\_

**Engineer:** \_\_\_\_\_  
**Architect:** \_\_\_\_\_  
**Date:** \_\_\_\_\_  
**For:**  Reference  Approval  Review  Construction

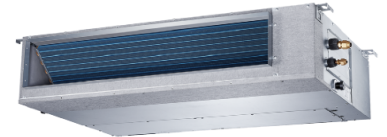
**FEATURES**

**Outdoor Unit: MLA018S4M-2P**

**Indoor Unit Options: Ducted OR Non-Ducted**



- Low Ambient Cooling/Heating
- Defrost Control
- DC Inverter Control
- Base Pan Heater
- Crankcase Heater



**Piping**

**Line Set and Elevation Guidelines**

|  |                |
|--|----------------|
| Maximum Number of Indoor Units/Zones                             | 2              |
| Liquid Line Set Diameter (in.)                                   | (2) 1/4        |
| Gas Line Set Diameter (in.)                                      | (2) 3/8        |
| Maximum Pipe Length ft. (m)                                      | 131 ft. (40 m) |
| Maximum Line Set Length - Furthest Indoor Unit                   | 82 ft. (25 m)  |
| Maximum Elevation - Outdoor Unit Below/Above Indoor Unit ft. (m) | 49 ft. (15m)   |
| Pre-Charged (ft.)  | 25 ft.         |
| Additional Charge of Refrigerant (oz/ft.)                        | 0.16           |

**PRODUCT WARRANTY**

Compressor – Twelve year limited warranty\*  
 All other covered components - Twelve year limited warranty\*  
 \*Product registration required

**OPTIONAL ACCESSORIES**

Hail Guards (M9GARD17Q-1)  
 Mini-Split IDU Controls Wiring Harness (19P86)\*  
 \*Required for BACnet & Lennox VRF Manager (LVM)



NOTE – Due to Lennox' ongoing commitment to quality, Specifications, Ratings, and Dimensions are subject to change without notice and without incurring liability. Improper installation, adjustment, alteration, service or maintenance can cause property damage or personal injury. Installation and service must be performed by a qualified installer and servicing agency.



# SUBMITTAL DATA – OUTDOOR UNIT MLA018S4M-2P MULTI-ZONE MINI-SPLIT HEAT PUMP

## OUTDOOR SPECIFICATIONS

### PERFORMANCE

|                                       |            |             |
|---------------------------------------|------------|-------------|
| Cooling Capacity (Btu/h) <sup>1</sup> | Ducted     | 18,000      |
|                                       | Non-Ducted | 19,000      |
| EER                                   | Ducted     | 11          |
|                                       | Non-Ducted | 12.5        |
| SEER                                  | Ducted     | 18.0        |
|                                       | Non-Ducted | 21.5        |
| Heating Capacity (Btu/h) <sup>1</sup> | Ducted     | 19,000      |
|                                       | Non-Ducted | 20,000      |
| HSPF                                  | Ducted     | 9.8         |
|                                       | Non-Ducted | 9.8         |
| Outdoor Fan Total Air Volume (CFM)    |            | 2130        |
| Ambient Temperature Operating Range   |            |             |
| Cooling                               |            | -22 - 122°F |
| Heating                               |            | -22 - 86°F  |

### ELECTRICAL DATA

|                                    |              |
|------------------------------------|--------------|
| Power Supply (V/Hz/Φ)              | 208-230/60/1 |
| Minimum Circuit Ampacity (A)       | 25.0         |
| Maximum Overcurrent Protection (A) | 35.0         |
| Outdoor Fan Motor RLA (A)          | 0.9          |
| Compressor RLA (A)                 | 15           |
| No. of Compressors                 | 1            |

### GENERAL DATA

|                                    |               |
|------------------------------------|---------------|
| Connection Ratio (%)               | 66% to 133%   |
| Max. # of Indoor Units             | Up to 2 units |
| Sound Data (dBA) - Cooling/Heating | 63.4/63.4     |
| Refrigerant type                   | R-410A        |
| Factory refrigerant charge         | 6 lbs. 3 oz.  |

### DIMENSIONS

|                      |        |        |
|----------------------|--------|--------|
| Unit Dimensions (in) | Height | 31-7/8 |
|                      | Width  | 40-5/8 |
|                      | Depth  | 16-5/8 |
| Shipping Weight (lb) |        | 161    |
| Net Weight (lb)      |        | 150    |

### NOTES

- Cooling and Heating Capacity data is rated at the following conditions:  
 Cooling: 80°FDB / 67°FWB Indoor, 95°FDB Outdoor  
 Heating: 70°FDB Indoor, 47°FDB / 43°FWB Outdoor

## Multi-Zone System Combinations

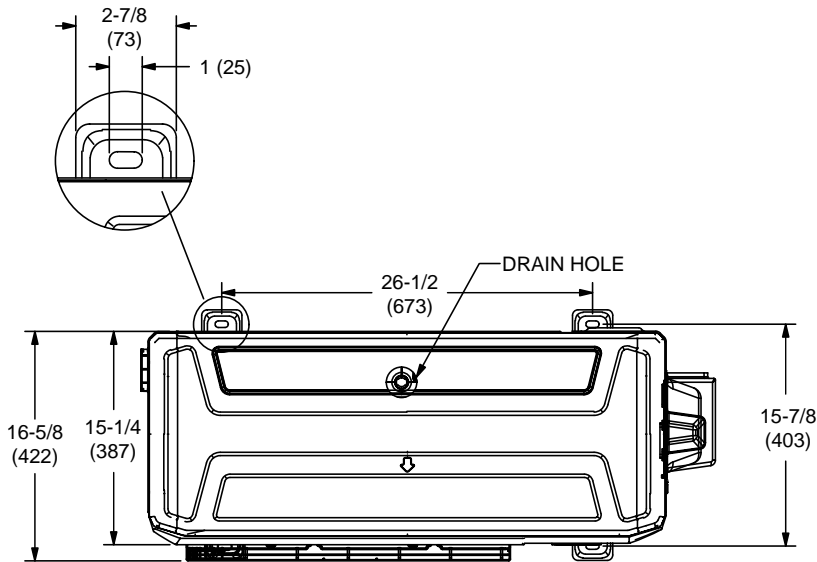
| Outdoor Unit Model No. | Number of Zones | Indoor Unit Capacity |     |     |     | Nominal Cooling Capacity at Rated System Capacity (Btuh) |        |     |     | Nominal Heating Capacity at Rated System Capacity (Btuh) |        |     |     |
|------------------------|-----------------|----------------------|-----|-----|-----|--|--------|-----|-----|--|--------|-----|-----|
|                        |                 | #1                   | #2  | #3  | #4  | #1   | #2     | #3  | #4  | #1   | #2     | #3  | #4  |
| MLA018S4M              | 2               | 009                  | 009 | --- | --- | 9,000  | 9,000  | --- | --- | 10,000   | 10,000 | --- | --- |
|                        |                 | 009                  | 012 | --- | --- | 9,000  | 12,000 | --- | --- | 10,000   | 13,000 | --- | --- |
|                        |                 | 009                  | 018 | --- | --- | 8,000  | 17,000 | --- | --- | 9,000  | 18,000 | --- | --- |
|                        |                 | 012                  | 012 | --- | --- | 11,000   | 11,000 | --- | --- | 13,000   | 13,000 | --- | --- |

NOTE – Due to Lennox' ongoing commitment to quality, Specifications, Ratings, and Dimensions are subject to change without notice and without incurring liability. Improper installation, adjustment, alteration, service or maintenance can cause property damage or personal injury. Installation and service must be performed by a qualified installer and servicing agency.

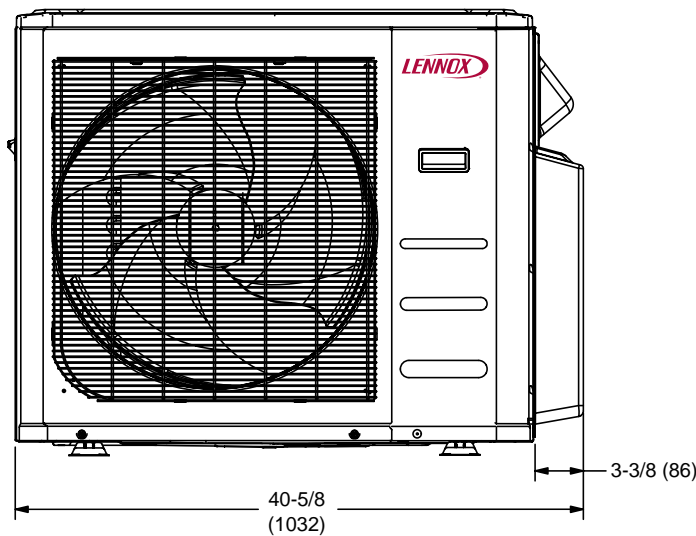


SUBMITTAL DATA – OUTDOOR  
UNIT MLA018S4M-2P  
MULTI-ZONE MINI-SPLIT HEAT PUMP

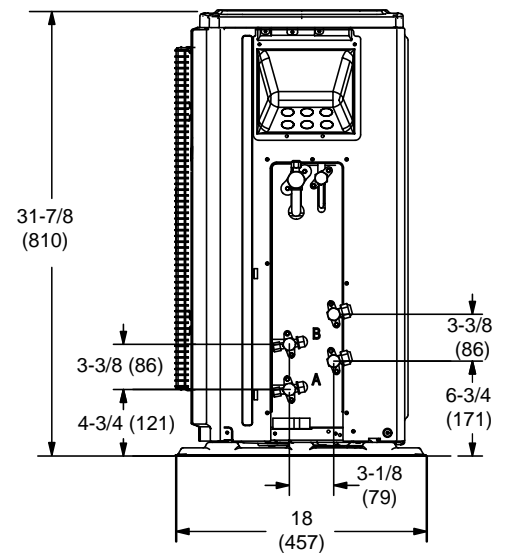
**OUTDOOR DIMENSIONAL DRAWINGS - INCHES (MM)**



**TOP VIEW**



**FRONT VIEW**



**SIDE VIEW**

NOTE – Due to Lennox' ongoing commitment to quality, Specifications, Ratings, and Dimensions are subject to change without notice and without incurring liability. Improper installation, adjustment, alteration, service or maintenance can cause property damage or personal injury. Installation and service must be performed by a qualified installer and servicing agency.