



**SUBMITTAL DATA – CEILING/FLOOR
MLA018S4S-1P - MCFB018S4-2P
SINGLE ZONE MINI-SPLIT HEAT PUMP**

Job: _____
Location: _____
Schedule No.: _____
System Designation: _____

Engineer: _____
Architect: _____
Date: _____
For: Reference Approval Review Construction

FEATURES

MLA018S4S-1P

- DC Inverter Control
- Base Pan Heater
- Low Ambient Cooling/Heating
- Defrost Control
- Crankcase Heater

MCFB018S4-2P

- Pre Heat Function
- Auto Restart
- Multiple Configurations
- Three selectable fan speeds
- Flare Connections
- LED Display
- R-410A Refrigerant
- Wireless Remote Included

OUTDOOR SPECIFICATIONS

PERFORMANCE

Cooling Capacity (Btu/h) ¹	17,000
EER	12.5
SEER	18.5
Heating Capacity (Btu/h) ¹	18,000
HSPF	10
Outdoor Fan Total Air Volume (CFM)	1,355
Ambient Temperature Operating Range	
Cooling	-22 - 122°F
Heating	-22 - 86°F

ELECTRICAL DATA

Power Supply (V/Hz/Φ)	208-230/60/1
Minimum Circuit Ampacity (A)	18
Maximum Overcurrent Protection (A)	25
Outdoor Fan Motor RLA (A)	0.42
Compressor RLA (A)	12.3
No. of Compressors	1

GENERAL DATA

Connection Ratio (%)	100%
Max. # of Indoor Units	1 unit
Sound Data (dBA) - Cooling/Heating	56/59
Refrigerant type	R-410A
Factory refrigerant charge	4 lbs. 3 oz.

DIMENSIONS

Unit Dimensions (in)	Height	27-5/8
	Width	36
	Depth	14-3/4
Shipping Weight (lb)		115
Net Weight (lb)		108

PRODUCT WARRANTY

Compressor – Twelve year limited warranty.
 All other covered components – Twelve year limited warranty.
 Product registration required.

OPTIONAL ACCESSORIES

Non-Programmable Controller (M0STAT61Q-1)	
Wireless Remote Controller (M0STAT60Q-1)	1+
Programmable Controller (M0STAT64Q-1)	

INDOOR SPECIFICATIONS

PERFORMANCE

Airflow (CFM)	High	950
	Medium	850
	Low	750
External Static Pressure (in. w.g.)		-
Sound Pressure (dBA)	High	47
	Medium	44
	Low	39

ELECTRICAL DATA

Power Supply (V/Hz/Φ)	Supplied by ODU
Rated Load Amps (RLA)	1.5
Power Output (W)	55

DIMENSIONS

Unit Dimensions (in)	Height	9-1/4
	Width	42
	Depth	26-5/8
Liquid Pipe Connection (in)		1/4
Gas Pipe Connection (in)		1/2
Condensate drain connection (in)		1
Unit Shipping Weight (lb)		66
Unit Net Weight (lb)		55

NOTES

1. Cooling and Heating Capacity data is rated at the following conditions:
 Cooling: 80°FDB / 67°FWB Indoor, 95°FWB / 75°FDB Outdoor
 Heating: 70°FDB / 60°FWB Indoor, 47°FDB / 43°FWB Outdoor



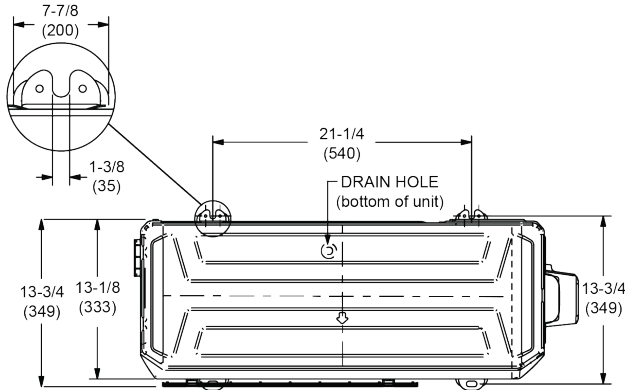
NOTE – Due to Lennox' ongoing commitment to quality, Specifications, Ratings, and Dimensions are subject to change without notice and without incurring liability. Improper installation, adjustment, alteration, service or maintenance can cause property damage or personal injury. Installation and service must be performed by a qualified installer and servicing agency.



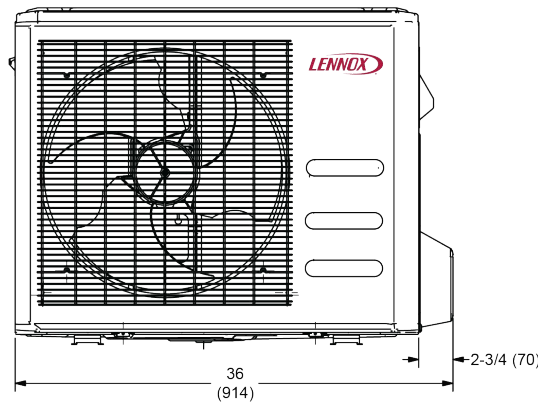
SUBMITTAL DATA - CEILING/FLOOR
 MLA018S4S-1P - MCFB018S4-2P
 SINGLE ZONE MINI-SPLIT HEAT PUMP

OUTDOOR DIMENSIONAL DRAWINGS - INCHES (MM)

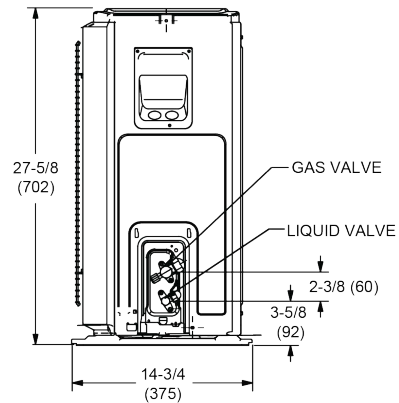
MLA018S4S



TOP VIEW

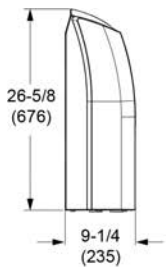


FRONT VIEW

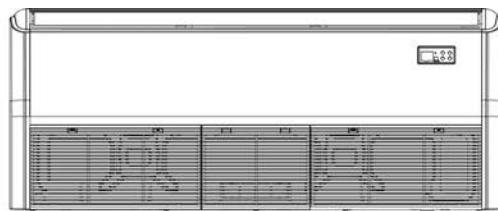


SIDE VIEW

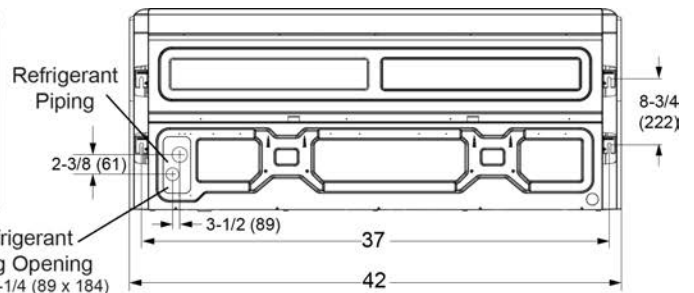
INDOOR DIMENSIONAL DRAWINGS - INCHES (MM)



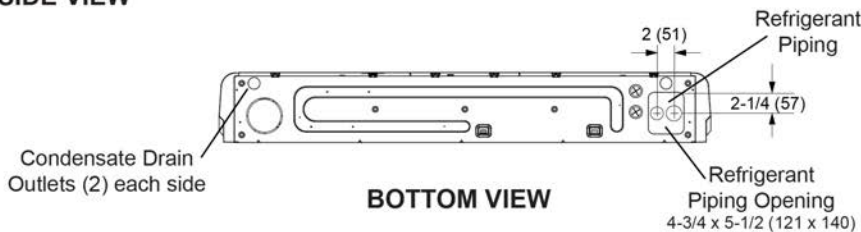
SIDE VIEW



FRONT VIEW



BACK VIEW



BOTTOM VIEW

NOTE - Due to Lennox' ongoing commitment to quality, Specifications, Ratings, and Dimensions are subject to change without notice and without incurring liability. Improper installation, adjustment, alteration, service or maintenance can cause property damage or personal injury. Installation and service must be performed by a qualified installer and servicing agency.