



SUBMITTAL DATA – CEILING/FLOOR

MLA024S4S-1P – MCFA024S4-2P

SINGLE ZONE MINI-SPLIT HEAT PUMP

Job: _____
Location: _____
Schedule No.: _____
System Designation: _____

Engineer: _____
Architect: _____
Date: _____
For: Reference Approval Review Construction

FEATURES

MLA024S4S-1P

- DC Inverter Control
- Base Pan Heater
- Low Ambient Cooling/Heating
- Defrost Control
- Crankcase Heater

MCFA024S4-2P

- Pre Heat Function
- Auto Restart
- Multiple Configuratins
- Three selectable fan speeds
- Flare Connections
- LED Display
- R-410A Refrigerant
- Wireless Remote Included

OUTDOOR SPECIFICATIONS

PERFORMANCE

Cooling Capacity (Btu/h) ¹	24,000
EER	11.5
SEER	19
Heating Capacity (Btu/h) ¹	24,000
HSPF	11
Outdoor Fan Total Air Volume (CFM)	2,355
Ambient Temperature Operating Range	
Cooling	-22 - 122°F
Heating	-22 - 86°F

ELECTRICAL DATA

Power Supply (V/Hz/Φ)	208-230/60/1
Minimum Circuit Ampacity (A)	20
Maximum Overcurrent Protection (A)	30
Outdoor Fan Motor RLA (A)	0.5
Compressor RLA (A)	14
No. of Compressors	1

GENERAL DATA

Connection Ratio (%)	100%
Max. # of Indoor Units	1 unit
Sound Data (dBA) - Cooling/Heating	57/60
Refrigerant type	R-410A
Factory refrigerant charge	5 lbs. 7 oz.

DIMENSIONS

Unit Dimensions (in)	Height	31-7/8
	Width	40-3/4
	Depth	18
Shipping Weight (lb)		149
Net Weight (lb)		136

PRODUCT WARRANTY

Compressor – Seven year limited warranty.
 All other components – Five year limited warranty.

OPTIONAL ACCESSORIES

Non-Programmable Controller (M0STAT61Q-1)	
Wireless Remote Controller (M0STAT60Q-1)	1+
Programmable Controller (M0STAT64Q-1)	

INDOOR SPECIFICATIONS

PERFORMANCE

Airflow (CFM)	High	880
	Medium	770
	Low	650
External Static Pressure (in. w.g.)		-
Sound Pressure (dBA)	High	58.5
	Medium	55
	Low	52

ELECTRICAL DATA

Power Supply (V/Hz/Φ)	Supplied by ODU
Rated load amps (RLA)	1.5
Power Output (W)	55

DIMENSIONS

Unit Dimensions (in)	Height	26-5/8
	Width	42-1/8
	Depth	9-1/4
Liquid Pipe Connection (in)		3/8
Gas Pipe Connection (in)		5/8
Condensate drain connection (in)		1
Unit Shipping Weight (lb)		67
Unit Net Weight (lb)		56

NOTES

- Cooling and Heating Capacity data is rated at the following conditions:
 Cooling: 80°FDB / 67°FWB Indoor, 95°FDB Outdoor
 Heating: 70°FDB Indoor, 47°FDB / 43°FWB Indoor

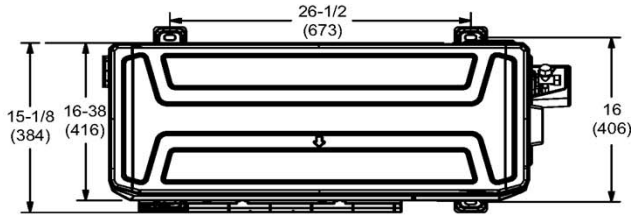


NOTE – Due to Lennox' ongoing commitment to quality, Specifications, Ratings, and Dimensions are subject to change without notice and without incurring liability. Improper installation, adjustment, alteration, service or maintenance can cause property damage or personal injury. Installation and service must be performed by a qualified installer and servicing agency.

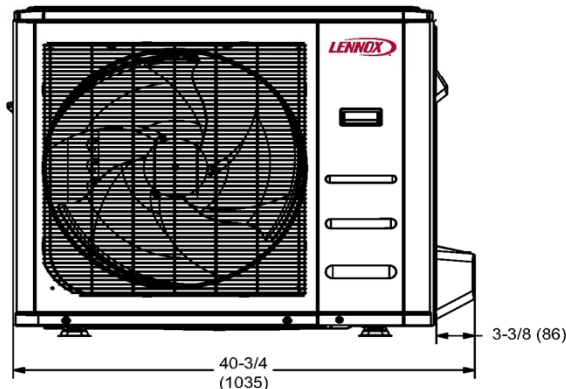


SUBMITTAL DATA - CEILING/FLOOR
 MLA024S4S-1P - MCFA024S4-2P
 SINGLE ZONE MINI-SPLIT HEAT PUMP

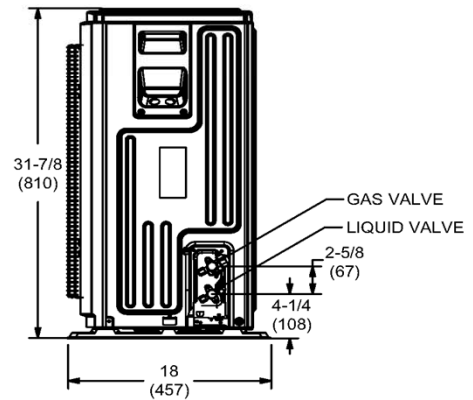
OUTDOOR DIMENSIONAL DRAWINGS - INCHES (MM)



TOP VIEW

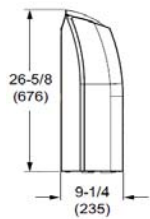


FRONT VIEW

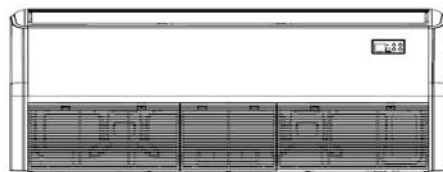


SIDE VIEW

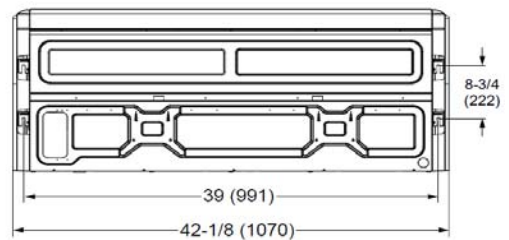
INDOOR DIMENSIONAL DRAWINGS - INCHES (MM)



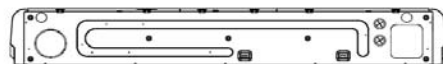
SIDE VIEW



FRONT VIEW



BACK VIEW



BOTTOM VIEW

NOTE - Due to Lennox' ongoing commitment to quality, Specifications, Ratings, and Dimensions are subject to change without notice and without incurring liability. Improper installation, adjustment, alteration, service or maintenance can cause property damage or personal injury. Installation and service must be performed by a qualified installer and servicing agency.