



SUBMITTAL DATA – **WALL-MOUNTED**
MLA024S4S-1P – MWMA024S4-2P
 SINGLE ZONE MINI-SPLIT HEAT PUMP

Job: _____
Location: _____
Schedule No.: _____
System Designation: _____

Engineer: _____
Architect: _____
Date: _____
For: Reference Approval Review Construction

FEATURES

Outdoor Unit: MLA024S4S-1P

Indoor Unit: MWMA024S4-2P



- Low Ambient Heating/Cooling
- DC Inverter Control
- Compressor Overcurrent Protection
- Base Dancer
- Defrost Control

- Pre Heat Function
- Auto Restart
- Three Selectable Fan Speeds
- Flare Connections
- LED Readout
- Wireless Remote Included

PIPING

Line Set and Elevation Guidelines

Maximum Line Set Length ft. (m)	82 ft. (25 m)
Maximum Elevation - Outdoor Unit Below/Above Indoor Unit ft. (m)	33 ft. (10m)
Liquid Line Set Diameter (in.)	1/4
Gas Line Set Diameter (in.)	3/8
Pre-Charged (ft.)	25 ft.
Additional Charge of Refrigerant (oz/ft.)	0.32

PRODUCT WARRANTY

Compressor – Twelve year limited warranty*
 All other covered components - Twelve year limited warranty*
 *Product registration required

OPTIONAL ACCESSORIES

Non-Programmable Controller (M0STAT61Q-1)
 Programmable Controller (M0STAT64Q-1)
 Hail Guards (M9GARD17Q-1)
 Mini-Split IDU Controls Wiring Harness (19P86)*
 *Required for BACnet & Lennox VRF Manager (LVM)



NOTE – Due to Lennox' ongoing commitment to quality, Specifications, Ratings, and Dimensions are subject to change without notice and without incurring liability. Improper installation, adjustment, alteration, service or maintenance can cause property damage or personal injury. Installation and service must be performed by a qualified installer and servicing agency.



SUBMITTAL DATA – WALL-MOUNTED
MLA024S4S-1P – MWMA024S4-2P
 SINGLE ZONE MINI-SPLIT HEAT PUMP

OUTDOOR SPECIFICATIONS

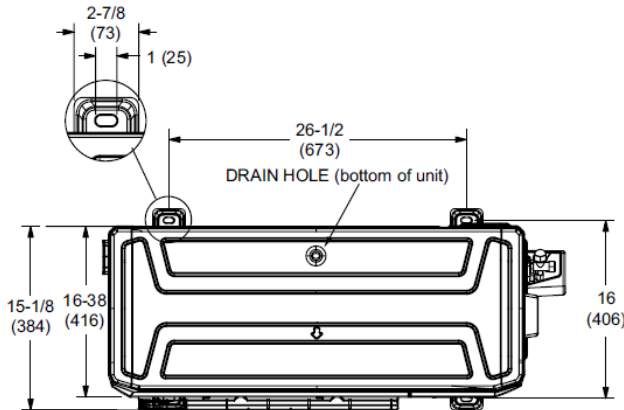
PERFORMANCE	
Cooling Capacity (Btu/h) ¹	24,000
EER	12.5
SEER	20
Heating Capacity (Btu/h) ¹	24,000
HSPF	10
Outdoor Fan Total Air Volume (CFM)	2,355
Ambient Temperature Operating Range	
Cooling	-22°F - 122°F
Heating	-22°F - 86°F
ELECTRICAL DATA	
Power Supply (V/Hz/Φ)	208-230/60/1
Minimum Circuit Ampacity (A)	20
Maximum Overcurrent Protection (A)	30
Outdoor Fan Motor RLA (A)	0.5
Compressor RLA (A)	14
No. of Compressors	1

GENERAL DATA		
Connection Ratio (%)		100%
Max. # of Indoor Units		1 unit
Sound Data (dBA) - Cooling/Heating		57/60
Refrigerant type		R-410A
Factory refrigerant charge		5 lbs. 7 oz.
DIMENSIONS		
Unit Dimensions (in)	Height	31-7/8
	Width	40-3/4
	Depth	18
Shipping Weight (lb)		149
Net Weight (lb)		136

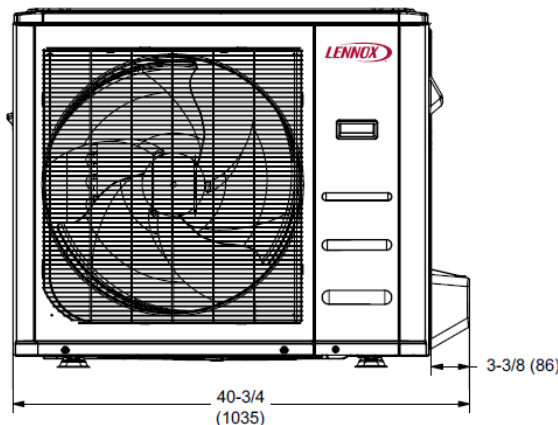
NOTES

1. Cooling and Heating Capacity data is rated at the following conditions:
 Cooling: 80°FDB / 67°FWB Indoor, 95°FDB Outdoor
 Heating: 70°FDB Indoor, 47°FDB / 43°FWB Outdoor

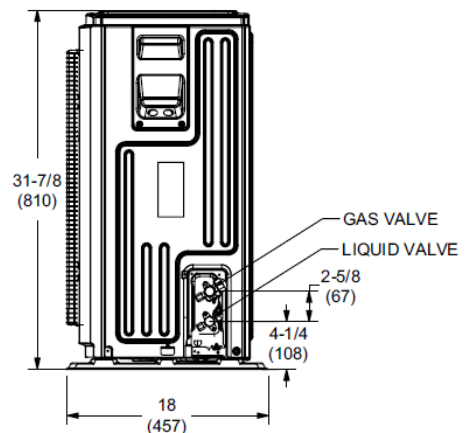
OUTDOOR DIMENSIONAL DRAWINGS - INCHES (MM)



TOP VIEW



FRONT VIEW



SIDE VIEW

NOTE – Due to Lennox' ongoing commitment to quality, Specifications, Ratings, and Dimensions are subject to change without notice and without incurring liability. Improper installation, adjustment, alteration, service or maintenance can cause property damage or personal injury. Installation and service must be performed by a qualified installer and servicing agency.



SUBMITTAL DATA - **WALL-MOUNTED**

MLA024S4S-1P - MWMA024S4-2P

SINGLE ZONE MINI-SPLIT HEAT PUMP

INDOOR SPECIFICATIONS

PERFORMANCE

Airflow (CFM)	High	695
	Medium	625
	Low	485
External Static Pressure (in. w.g.)		-
Sound Pressure (dBA)	High	51.7
	Medium	44.5
	Low	35.1

ELECTRICAL DATA

Power Supply (V/Hz/Φ)	Supplied by ODU
Rated load amps (RLA)	0.3
Power Output (W)	60

DIMENSIONS

Unit Dimensions (in)	Height	13-1/2
	Width	46-3/4
	Depth	10-1/4

Unit Net/Shipping Weight (lb)	40/54
-------------------------------	-------

PIPING

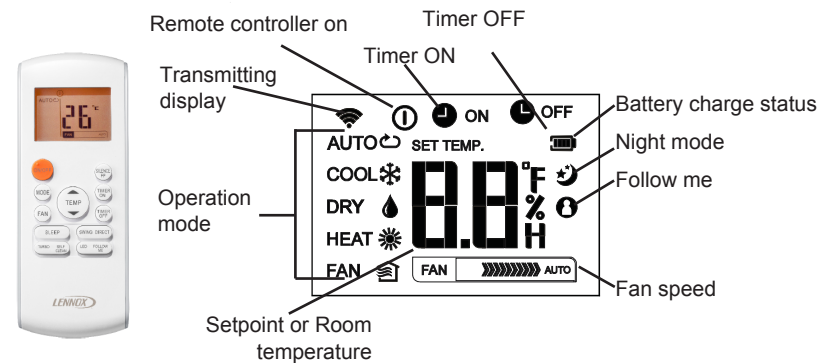
Liquid/Gas O.D. Flare (in.)	1/4 , 3/8
Drain Connection O.D. (in.)	1

WIRELESS REMOTE CONTROLLER SPECIFICATIONS

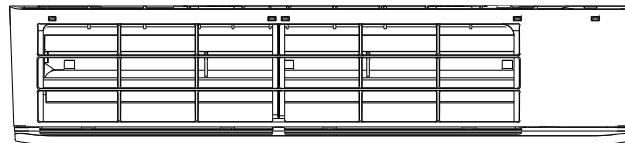
M0STAT60Q-1

Power Supply	2 AAA Batteries (Included)
Setpoint Range	62°F - 86°F
Operating Temperature Range	23°F - 140°F
Operating Humidity Range (RH)	40% to 90%
Effective Receiving Range	26 ft.

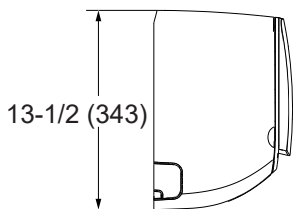
DISPLAY



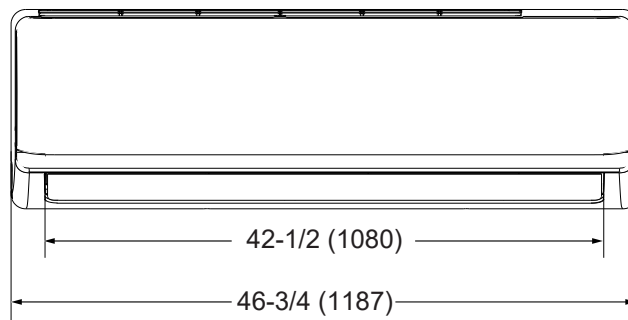
INDOOR DIMENSIONAL DRAWINGS - INCHES (MM)



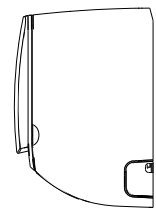
TOP VIEW



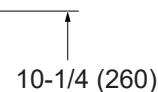
SIDE VIEW



BOTTOM VIEW



SIDE VIEW



NOTE - Due to Lennox' ongoing commitment to quality, Specifications, Ratings, and Dimensions are subject to change without notice and without incurring liability. Improper installation, adjustment, alteration, service or maintenance can cause property damage or personal injury. Installation and service must be performed by a qualified installer and servicing agency.