



SUBMITTAL DATA – WALL-MOUNTED MLA024S4S-1P – MWMA024S4-1P SINGLE ZONE MINI-SPLIT HEAT PUMP

Job: _____
Location: _____
Schedule No.: _____
System Designation: _____

Engineer: _____
Architect: _____
Date: _____
For: Reference Approval Review Construction

FEATURES

MLA024S4S-1P

- DC Inverter Control
- Base Pan Heater
- Low Ambient Cooling/Heating
- Defrost Control
- Crankcase Heater

MWMA024S4-1P

- Pre Heat Function
- Multi-Refrigerant Outlet
- Flare Connections
- R-410A Refrigerant
- Auto Restart
- Three selectable fan speeds
- LED Readout Panel
- Wireless Remote Included

OUTDOOR SPECIFICATIONS

PERFORMANCE

Cooling Capacity (Btu/h) ¹	24,000
EER	12.5
SEER	20
Heating Capacity (Btu/h) ¹	24,000
HSPF	10
Outdoor Fan Total Air Volume (CFM)	2,355
Ambient Temperature Operating Range	
Cooling	-22 - 122°F
Heating	-22 - 86°F

ELECTRICAL DATA

Power Supply (V/Hz/Φ)	208-230/60/1
Minimum Circuit Ampacity (A)	20
Maximum Overcurrent Protection (A)	30
Outdoor Fan Motor RLA (A)	0.5
Compressor RLA (A)	14
No. of Compressors	1

GENERAL DATA

Connection Ratio (%)	100%
Max. # of Indoor Units	1 unit
Sound Data (dBA) - Cooling/Heating	57/60
Refrigerant type	R-410A
Factory refrigerant charge	5 lbs. 7 oz.

DIMENSIONS

Unit Dimensions (in)	Height	31-7/8
	Width	40-3/4
	Depth	18
Shipping Weight (lb)		149
Net Weight (lb)		136

PRODUCT WARRANTY

Compressor – Seven year limited warranty.
 All other components – Five year limited warranty.

OPTIONAL ACCESSORIES

Non-Programmable Controller (M0STAT61Q-1)	
Wireless Remote Controller (M0STAT60Q-1)	1+

INDOOR SPECIFICATIONS

PERFORMANCE

Airflow (CFM)	High	750
	Medium	690
	Low	565
External Static Pressure (in. w.g.)		-
Sound Pressure (dBA)	High	50
	Medium	44.7
	Low	39.4

ELECTRICAL DATA

Power Supply (V/Hz/Φ)	Supplied by ODU
Rated load amps (RLA)	0.5
Power Output (W)	60

DIMENSIONS

Unit Dimensions (in)	Height	13-1/2
	Width	46-3/4
	Depth	10-1/4
Liquid Pipe Connection (in)		3/8
Gas Pipe Connection (in)		5/8
Condensate drain connection (in)		1
Unit Shipping Weight (lb)		40
Unit Net Weight (lb)		51

NOTES

- Cooling and Heating Capacity data is rated at the following conditions:
 Cooling: 80°FDB / 67°FWB Indoor, 95°FDB Outdoor
 Heating: 70°FDB Indoor, 47°FDB / 43°FWB Indoor

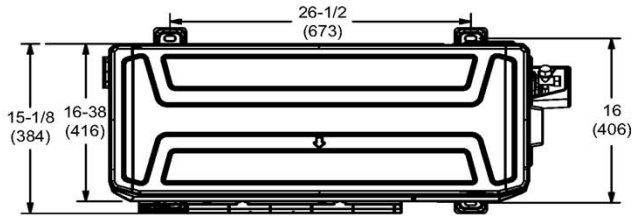


NOTE – Due to Lennox' ongoing commitment to quality, Specifications, Ratings, and Dimensions are subject to change without notice and without incurring liability. Improper installation, adjustment, alteration, service or maintenance can cause property damage or personal injury. Installation and service must be performed by a qualified installer and servicing agency.

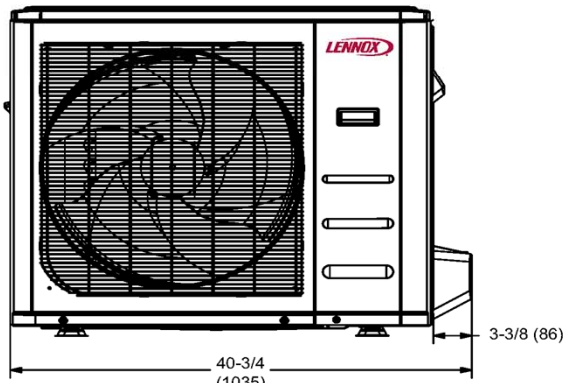


SUBMITTAL DATA - WALL-MOUNTED
MLA024S4S-1P - MWMA024S4-1P
SINGLE ZONE MINI-SPLIT HEAT PUMP

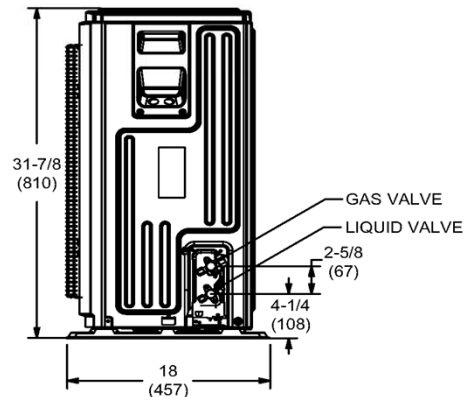
OUTDOOR DIMENSIONAL DRAWINGS - INCHES (MM)



TOP VIEW

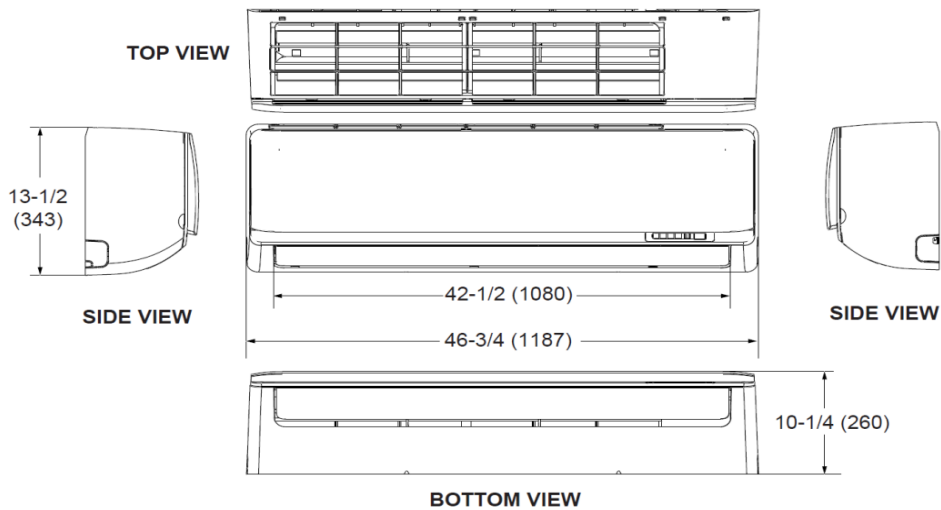


FRONT VIEW



SIDE VIEW

INDOOR DIMENSIONAL DRAWINGS - INCHES (MM)



NOTE - Due to Lennox' ongoing commitment to quality, Specifications, Ratings, and Dimensions are subject to change without notice and without incurring liability. Improper installation, adjustment, alteration, service or maintenance can cause property damage or personal injury. Installation and service must be performed by a qualified installer and servicing agency.