



SUBMITTAL DATA – OUTDOOR UNIT

MLA030S4M-1P

MULTI-ZONE MINI-SPLIT HEAT PUMP

Job: _____
Location: _____
Schedule No.: _____
System Designation: _____

Engineer: _____
Architect: _____
Date: _____
For: Reference Approval Review Construction

FEATURES

MLA030S4M-1P

- DC Inverter Control
- Base Pan Heater
- Low Ambient Cooling/Heating
- Defrost Control
- Crankcase Heater

OUTDOOR SPECIFICATIONS

PERFORMANCE

Cooling Capacity (Btu/h) ¹	Ducted	27,000
	Non-Ducted	28,000
EER	Ducted	10.8
	Non-Ducted	13
SEER	Ducted	17.6
	Non-Ducted	22
Heating Capacity (Btu/h) ¹	Ducted	27,000
	Non-Ducted	28,000
HSPF	Ducted	9.1
	Non-Ducted	10.4
Outdoor Fan Total Air Volume (CFM)		2,355
Ambient Temperature Operating Range		
Cooling		-22 - 122°F
Heating		-22 - 86°F

ELECTRICAL DATA

Power Supply (V/Hz/Φ)	208-230/60/3
Minimum Circuit Ampacity (A)	27
Maximum Overcurrent Protection (A)	40
Outdoor Fan Motor RLA (A)	1.3
Compressor RLA (A)	22
No. of Compressors	1

GENERAL DATA

Connection Ratio (%)	66% to 133%
Max. # of Indoor Units	Up to 3 units
Sound Data (dBA) - Cooling/Heating	62/62
Refrigerant type	R-410A
Factory refrigerant charge	6 lbs. 10 oz.

PRODUCT WARRANTY

Compressor – Seven year limited warranty.

All other components – Five year limited warranty.



DIMENSIONS

Unit Dimensions (in)	Height	31-7/8
	Width	40-5/8
	Depth	16-5/8
Shipping Weight (lb)		168
Net Weight (lb)		157

NOTES

- Cooling and Heating Capacity data is rated at the following conditions:
 Cooling: 80°FDB / 67°FWB Indoor, 95°FDB Outdoor
 Heating: 70°FDB Indoor, 47°FDB / 43°FWB Indoor

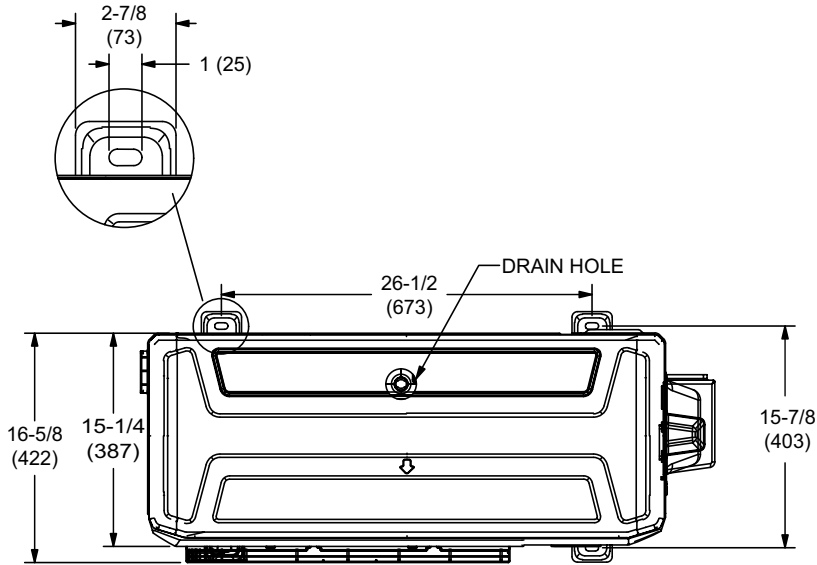


NOTE – Due to Lennox' ongoing commitment to quality, Specifications, Ratings, and Dimensions are subject to change without notice and without incurring liability. Improper installation, adjustment, alteration, service or maintenance can cause property damage or personal injury. Installation and service must be performed by a qualified installer and servicing agency.

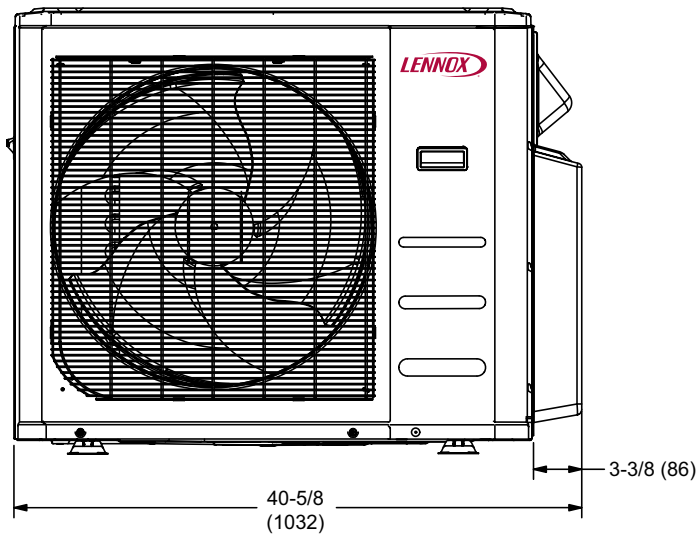


SUBMITTAL DATA - OUTDOOR UNIT
 MLA030S4M-1P
MULTI-ZONE MINI-SPLIT HEAT PUMP

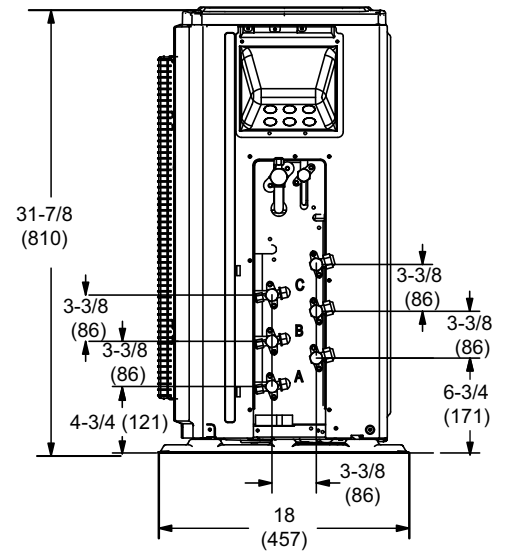
OUTDOOR DIMENSIONAL DRAWINGS - INCHES (MM)



TOP VIEW



FRONT VIEW



SIDE VIEW

NOTE - Due to Lennox' ongoing commitment to quality, Specifications, Ratings, and Dimensions are subject to change without notice and without incurring liability. Improper installation, adjustment, alteration, service or maintenance can cause property damage or personal injury. Installation and service must be performed by a qualified installer and servicing agency.