



SUBMITTAL DATA – OUTDOOR UNIT  
 MLA036S4M-1P  
 MULTI-ZONE MINI-SPLIT HEAT PUMP

**Job:** \_\_\_\_\_  
**Location:** \_\_\_\_\_  
**Schedule No.:** \_\_\_\_\_  
**System Designation:** \_\_\_\_\_

**Engineer:** \_\_\_\_\_  
**Architect:** \_\_\_\_\_  
**Date:** \_\_\_\_\_  
**For:**  Reference  Approval  Review  Construction

**FEATURES**

**MLA036S4M-1P**

- DC Inverter Control
- Base Pan Heater
- Low Ambient Cooling/Heating
- Defrost Control
- Crankcase Heater

**OUTDOOR SPECIFICATIONS**

**PERFORMANCE**

Cooling Capacity (Btu/h) <sup>1</sup>	Ducted	35,000
	Non-Ducted	36,000
EER	Ducted	10.8
	Non-Ducted	13.5
SEER	Ducted	17
	Non-Ducted	21.5
Heating Capacity (Btu/h) <sup>1</sup>	Ducted	35,000
	Non-Ducted	36,000
HSPF	Ducted	9.2
	Non-Ducted	10.5
Outdoor Fan Total Air Volume (CFM)	(2) 4,470	
Ambient Temperature Operating Range		
Cooling	-22 - 122°F	
Heating	-22 - 86°F	

**ELECTRICAL DATA**

Power Supply (V/Hz/Φ)	208-230/60/1
Minimum Circuit Ampacity (A)	35.0
Maximum Overcurrent Protection (A)	50.0
Outdoor Fan Motor RLA (A)	(2) 0.39
Compressor RLA (A)	21
No. of Compressors	1

**GENERAL DATA**

Connection Ratio (%)	66% to 133%
Max. # of Indoor Units	Up to 4 units
Sound Data (dBA) - Cooling/Heating	64/64
Refrigerant type	R-410A
Factory refrigerant charge	10 lbs. 2 oz.

**PRODUCT WARRANTY**

Compressor – Seven year limited warranty.  
 All other components – Five year limited warranty.



**DIMENSIONS**

Unit Dimensions (in)	Height	52-1/2
	Width	41-1/8
	Depth	16-3/8
Shipping Weight (lb)	255	
Net Weight (lb)	224	

**NOTES**

- Cooling and Heating Capacity data is rated at the following conditions:  
 Cooling: 80°FDB / 67°FWB Indoor, 95°FDB Outdoor  
 Heating: 70°FDB Indoor, 47°FDB / 43°FWB Indoor

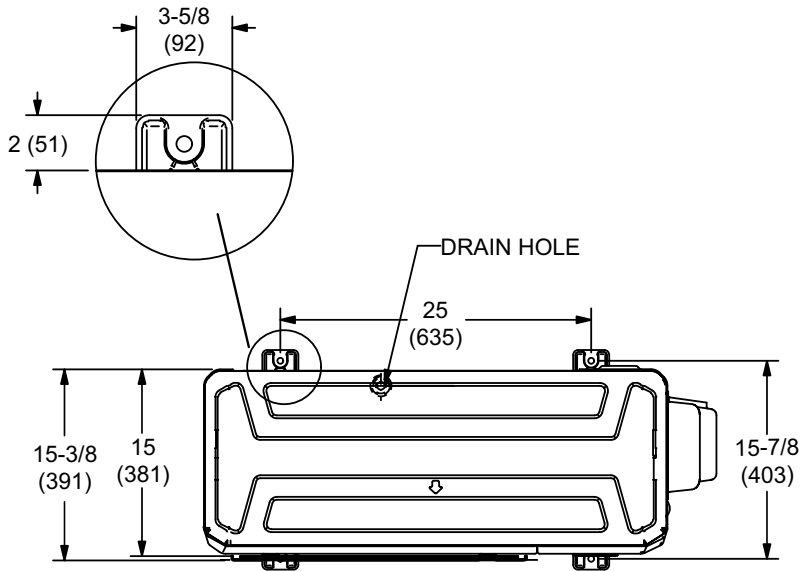


NOTE – Due to Lennox' ongoing commitment to quality, Specifications, Ratings, and Dimensions are subject to change without notice and without incurring liability. Improper installation, adjustment, alteration, service or maintenance can cause property damage or personal injury. Installation and service must be performed by a qualified installer and servicing agency.

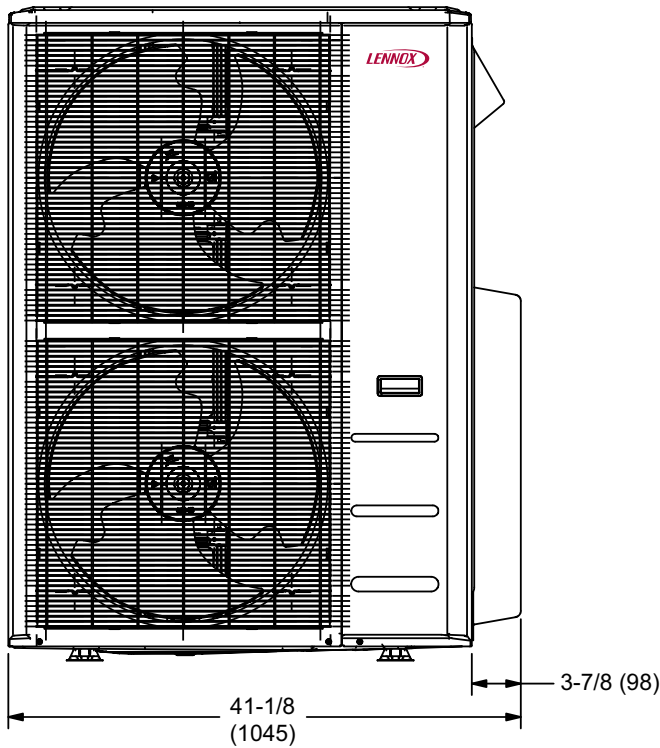


SUBMITTAL DATA - OUTDOOR UNIT  
MLA036S4M-1P  
MULTI-ZONE MINI-SPLIT HEAT PUMP

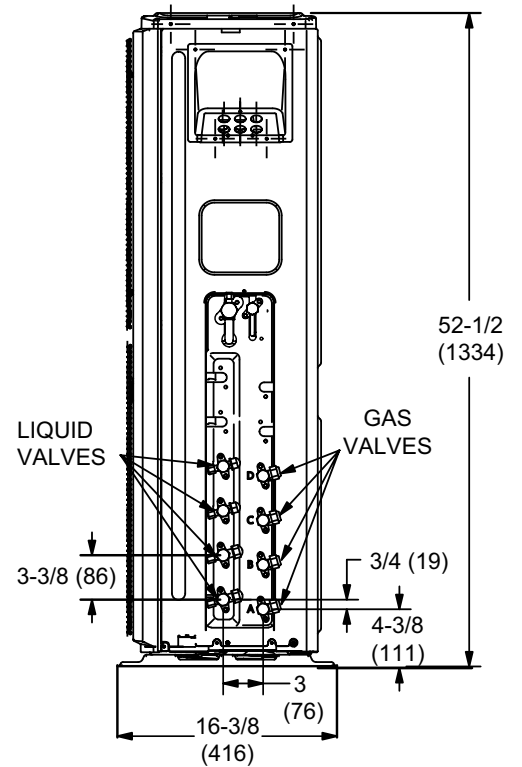
**OUTDOOR DIMENSIONAL DRAWINGS - INCHES (MM)**



**TOP VIEW**



**FRONT VIEW**



**SIDE VIEW**

NOTE - Due to Lennox' ongoing commitment to quality, Specifications, Ratings, and Dimensions are subject to change without notice and without incurring liability. Improper installation, adjustment, alteration, service or maintenance can cause property damage or personal injury. Installation and service must be performed by a qualified installer and servicing agency.