



# SUBMITTAL DATA – OUTDOOR UNIT

## MLA036S4M-1P

### MULTI-ZONE MINI-SPLIT HEAT PUMP

**Job:** \_\_\_\_\_  
**Location:** \_\_\_\_\_  
**Schedule No.:** \_\_\_\_\_  
**System Designation:** \_\_\_\_\_

**Engineer:** \_\_\_\_\_  
**Architect:** \_\_\_\_\_  
**Date:** \_\_\_\_\_  
**For:**  Reference  Approval  Review  Construction

### FEATURES

#### MLA036S4M-1P

- DC Inverter Control
- Base Pan Heater
- Low Ambient Cooling/Heating
- Defrost Control
- Crankcase Heater

### OUTDOOR SPECIFICATIONS

#### PERFORMANCE

|                                       |             |        |
|---------------------------------------|-------------|--------|
| Cooling Capacity (Btu/h) <sup>1</sup> | Ducted      | 35,000 |
|                                       | Non-Ducted  | 36,000 |
| EER                                   | Ducted      | 10.8   |
|                                       | Non-Ducted  | 13.5   |
| SEER                                  | Ducted      | 17     |
|                                       | Non-Ducted  | 21.5   |
| Heating Capacity (Btu/h) <sup>1</sup> | Ducted      | 35,000 |
|                                       | Non-Ducted  | 36,000 |
| HSPF                                  | Ducted      | 9.2    |
|                                       | Non-Ducted  | 10.5   |
| Outdoor Fan Total Air Volume (CFM)    | (2) 4,470   |        |
| Ambient Temperature Operating Range   |             |        |
| Cooling                               | -22 - 122°F |        |
| Heating                               | -22 - 86°F  |        |

#### ELECTRICAL DATA

|                                    |              |
|------------------------------------|--------------|
| Power Supply (V/Hz/Φ)              | 208-230/60/1 |
| Minimum Circuit Ampacity (A)       | 35.0         |
| Maximum Overcurrent Protection (A) | 50.0         |
| Outdoor Fan Motor RLA (A)          | (2) 0.39     |
| Compressor RLA (A)                 | 21           |
| No. of Compressors                 | 1            |

#### GENERAL DATA

|                                    |               |
|------------------------------------|---------------|
| Connection Ratio (%)               | 66% to 133%   |
| Max. # of Indoor Units             | Up to 4 units |
| Sound Data (dBA) - Cooling/Heating | 64/64         |
| Refrigerant type                   | R-410A        |
| Factory refrigerant charge         | 10 lbs. 2 oz. |

### PRODUCT WARRANTY

#### Product Warranty

Compressor – Twelve year limited warranty.  
 All other covered components – Twelve year limited warranty.  
 Product registration required.



#### DIMENSIONS

|                      |        |        |
|----------------------|--------|--------|
| Unit Dimensions (in) | Height | 52-1/2 |
|                      | Width  | 41-1/8 |
|                      | Depth  | 16-3/8 |
| Shipping Weight (lb) | 255    |        |
| Net Weight (lb)      | 224    |        |

#### NOTES

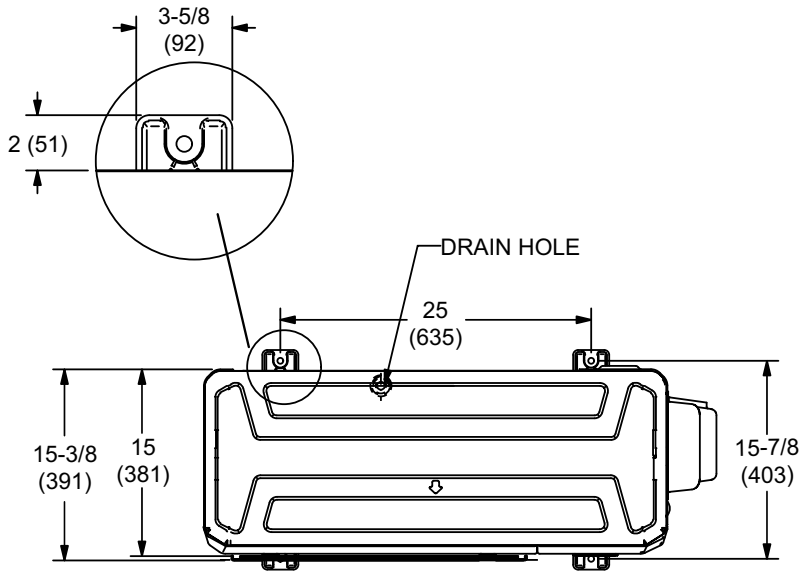
- Cooling and Heating Capacity data is rated at the following conditions:  
 Cooling: 80°FDB / 67°FWB Indoor, 95°FDB Outdoor  
 Heating: 70°FDB Indoor, 47°FDB / 43°FWB Indoor

NOTE – Due to Lennox' ongoing commitment to quality, Specifications, Ratings, and Dimensions are subject to change without notice and without incurring liability. Improper installation, adjustment, alteration, service or maintenance can cause property damage or personal injury. Installation and service must be performed by a qualified installer and servicing agency.

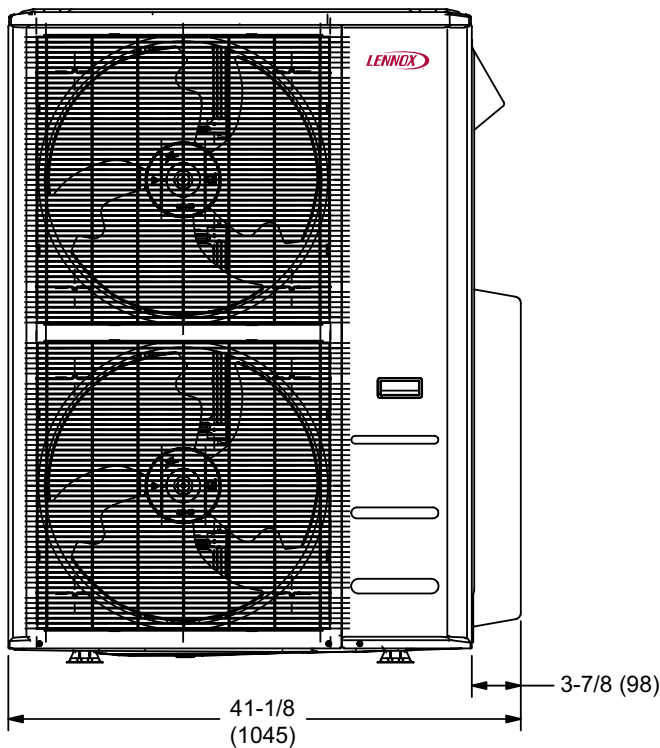


SUBMITTAL DATA - OUTDOOR UNIT  
MLA036S4M-1P  
MULTI-ZONE MINI-SPLIT HEAT PUMP

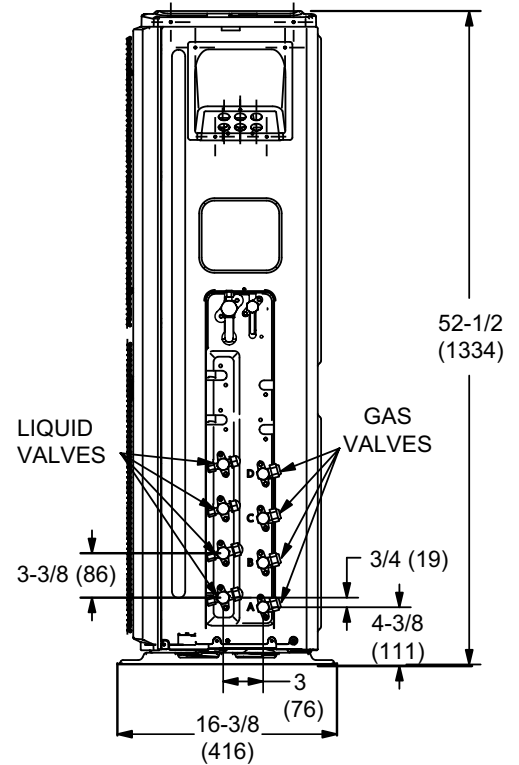
OUTDOOR DIMENSIONAL DRAWINGS - INCHES (MM)



TOP VIEW



FRONT VIEW



SIDE VIEW

NOTE - Due to Lennox' ongoing commitment to quality, Specifications, Ratings, and Dimensions are subject to change without notice and without incurring liability. Improper installation, adjustment, alteration, service or maintenance can cause property damage or personal injury. Installation and service must be performed by a qualified installer and servicing agency.