



SUBMITTAL DATA – **DUCTED**
MMDB012S4-2P
MULTI-ZONE MINI-SPLIT HEAT PUMP

Job: _____
Location: _____
Schedule No.: _____
System Designation: _____

Engineer: _____
Architect: _____
Date: _____
For: Reference Approval Review Construction

FEATURES

- Pre Heat Function
- Auto Restart
- Low Charge Detection
- Built-In Condensate Pump
- Flare Connections
- Three Speed Fan
- Refrigerant R-410A
- Wired Controller included

Product Warranty

All covered components - Twelve year limited warranty.
 Product registration required.

SPECIFICATIONS

PERFORMANCE

Cooling Capacity ¹ (Btu/h)		12,000
Heating Capacity ¹ (Btu/h)		12,000
Airflow (CFM)	High	340
	Medium	270
	Low	165
External Static Pressure (in. w.g.)		0 - 0.16
Sound Pressure (dBA)	High	38
	Medium	33.5
	Low	26

ELECTRICAL DATA

Power Supply (V/Hz/Φ)	208-230/60/1
Rated load amps (RLA)	1.11
Power Output (W)	55

DIMENSIONS

Unit Dimensions (in)	Height	7-7/8
	Width	27-5/8
	Depth	17-3/4
Liquid Pipe Connection (in)		1/4
Gas Pipe Connection (in)		1/2
Condensate drain connection (in)		1
Unit Shipping Weight (lb)		49
Unit Net Weight (lb)		38



OPTIONAL ACCESSORIES

Non-Programmable Controller (M0STAT61Q-1):	1+
Programmable Controller (M0STAT64Q-1):	

NOTES

- Cooling and Heating capacity data is rated at the following conditions:
 Cooling: 80°FDB / 67°FWB Indoor, 95°FDB Outdoor
 Heating: 70°FDB Indoor, 47°FDB / 43°FWB Outdoor



NOTE – Due to Lennox' ongoing commitment to quality, Specifications, Ratings and Dimensions subject to change without notice and without incurring liability. Improper installation, adjustment, alteration, service or maintenance can cause property damage or personal injury.

Installation and service must be performed by a qualified installer and servicing agency.

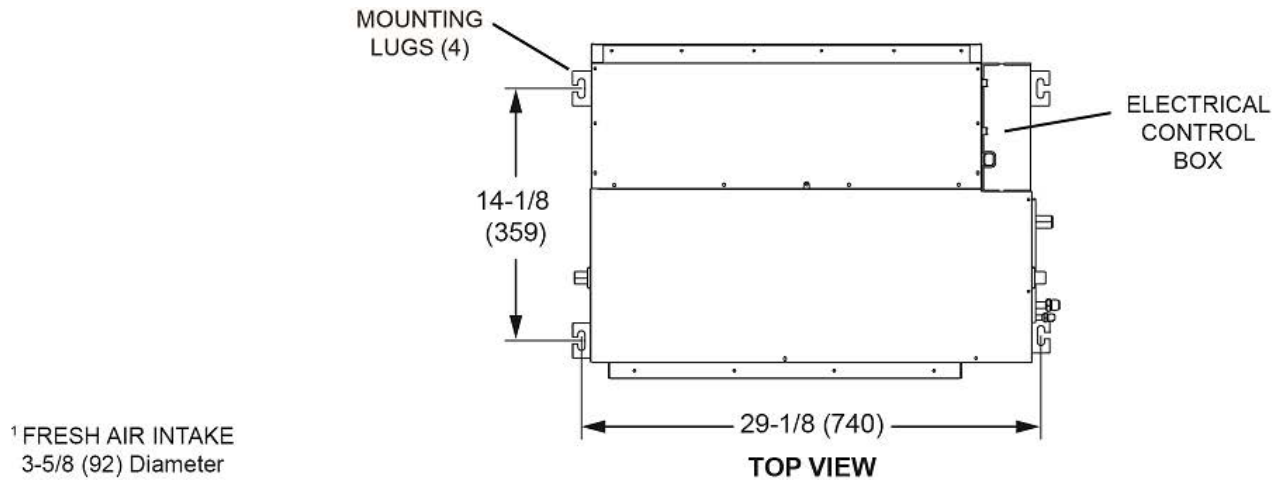
495628 (201802)

©2018 Lennox Industries Inc.

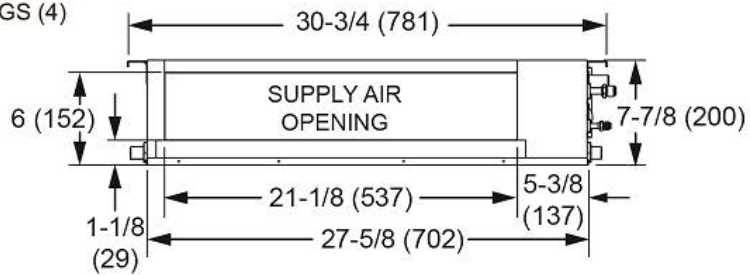
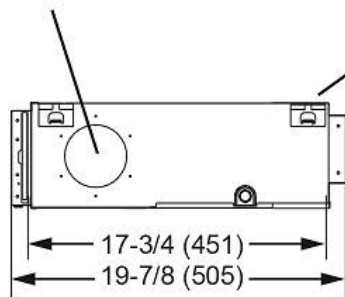


SUBMITTAL DATA - DUCTED
MMDB012S4-2P
MULTI-ZONE MINI-SPLIT HEAT PUMP

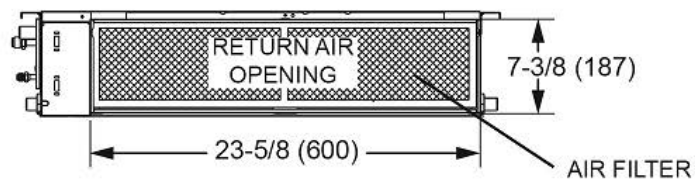
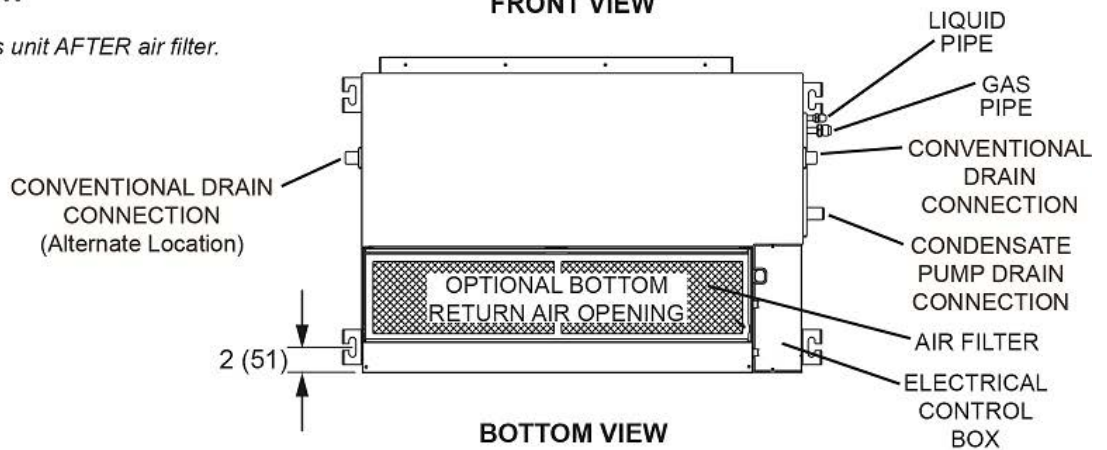
DIMENSIONAL DRAWINGS - INCHES (MM)



¹ FRESH AIR INTAKE
 3-5/8 (92) Diameter



¹ NOTE - Outdoor air enters unit AFTER air filter.



NOTE - Due to Lennox' ongoing commitment to quality, Specifications, Ratings and Dimensions subject to change without notice and without incurring liability. Improper installation, adjustment, alteration, service or maintenance can cause property damage or personal injury.

Installation and service must be performed by a qualified installer and servicing agency.

495628 (201802)

©2018 Lennox Industries Inc.