



# SUBMITTAL DATA – CEILING DUCTED

## MPB012S4S-1P – MMDA012S4-1P

### SINGLE ZONE MINI-SPLIT HEAT PUMP

**Job:** \_\_\_\_\_  
**Location:** \_\_\_\_\_  
**Schedule No.:** \_\_\_\_\_  
**System Designation:** \_\_\_\_\_

**Engineer:** \_\_\_\_\_  
**Architect:** \_\_\_\_\_  
**Date:** \_\_\_\_\_  
**For:**  Reference  Approval  Review  Construction

### FEATURES

#### MPB012S4S-1P

- DC Inverter Control
- Base Pan Heater
- Low Ambient Cooling/Heating
- Defrost Control
- Crankcase Heater

#### MMDA012S4-1P

- Pre Heat Function
- Built-In Condensate Pump
- Flare Connections
- R-410A Refrigerant
- Auto Restart
- Three selectable fan speeds
- LED Display
- Wired Remote Included

### OUTDOOR SPECIFICATIONS

#### PERFORMANCE

Cooling Capacity (Btu/h) <sup>1</sup>	9,000
EER	13
SEER	20
Heating Capacity (Btu/h) <sup>1</sup>	10,000
HSPF	10
Outdoor Fan Total Air Volume (CFM)	1
Ambient Temperature Operating Range	
Cooling	- - 122°F
Heating	- - 86°F

#### ELECTRICAL DATA

Power Supply (V/Hz/3 )	208-230/60/1
Minimum Circuit Ampacity (A)	
Maximum Overcurrent Protection (A)	15
Outdoor Fan Motor RLA (A)	0.
Compressor RLA (A)	
No. of Compressors	1

#### GENERAL DATA

Connection Ratio (%)	100%
Max. # of Indoor Units	1 unit
Sound Data (dBA) - Cooling/Heating	
Refrigerant type	R-410A
Factory refrigerant charge	lbs. oz.

#### DIMENSIONS

Unit Dimensions (in)	Height	21-
	Width	3- /
	Depth	1- /

Shipping Weight (lb)	
Net Weight (lb)	

### PRODUCT WARRANTY

Compressor – Seven year limited warranty.  
 All other components – Five year limited warranty.

### OPTIONAL ACCESSORIES

Non-Programmable Controller (M0STAT61Q-1)	1+
Wireless Remote Controller (M0STAT60Q-1)	
Programmable Controller (M0STAT64Q-1)	

### INDOOR SPECIFICATIONS

#### PERFORMANCE

Airflow (CFM)	High	335
	Medium	290
	Low	240
External Static Pressure (in. w.g.)		-
Sound Pressure (dBA)	High	38
	Medium	35
	Low	31

#### ELECTRICAL DATA

Power Supply (V/Hz/Φ)	Supplied by ODU
Rated load amps (RLA)	0.9
Power Output (W)	55

#### DIMENSIONS

Unit Dimensions (in)	Height	8-1/4
	Width	31-1/8
	Depth	25

Liquid Pipe Connection (in)	1/4
Gas Pipe Connection (in)	3/8
Condensate drain connection (in)	1
Unit Shipping Weight (lb)	51
Unit Net Weight (lb)	40

#### NOTES

- Cooling and Heating Capacity data is rated at the following conditions:  
 Cooling: 80°FDB / 67°FWB Indoor, 95°FWB / 75°FDB Outdoor  
 Heating: 70°FDB / 60°FWB Indoor, 47°FDB / 43°FWB Outdoor

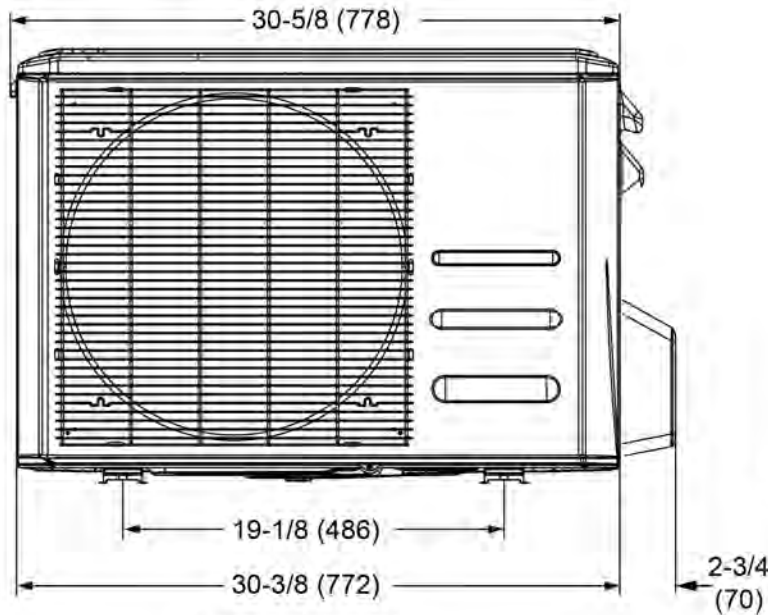
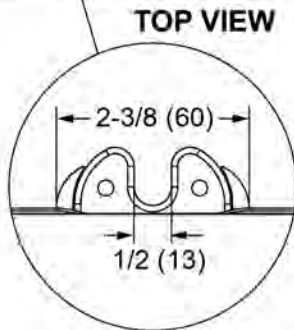
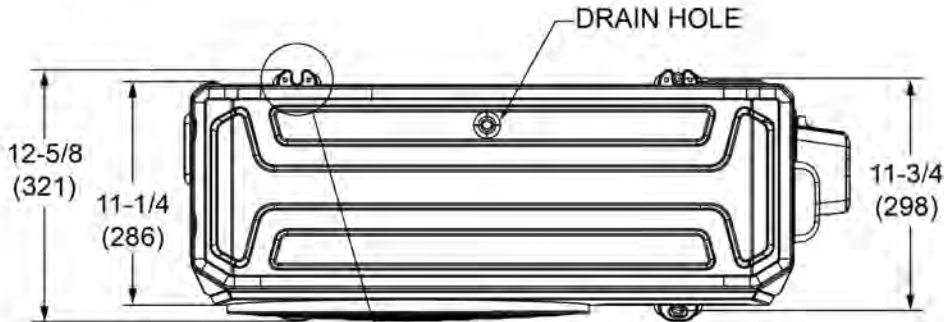


NOTE – Due to Lennox' ongoing commitment to quality, Specifications, Ratings, and Dimensions are subject to change without notice and without incurring liability. Improper installation, adjustment, alteration, service or maintenance can cause property damage or personal injury. Installation and service must be performed by a qualified installer and servicing agency.

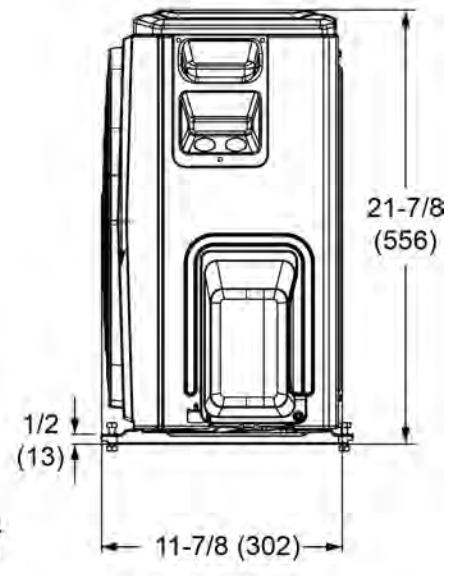


SUBMITTAL DATA - CEILING **DUCTED**  
**MPB012S4S-1P - MMDA012S4-1P**  
SINGLE ZONE MINI-SPLIT HEAT PUMP

**OUTDOOR DIMENSIONAL DRAWINGS - INCHES (MM)**



**FRONT VIEW**



**SIDE VIEW**

NOTE - Due to Lennox' ongoing commitment to quality, Specifications, Ratings, and Dimensions are subject to change without notice and without incurring liability. Improper installation, adjustment, alteration, service or maintenance can cause property damage or personal injury. Installation and service must be performed by a qualified installer and servicing agency.

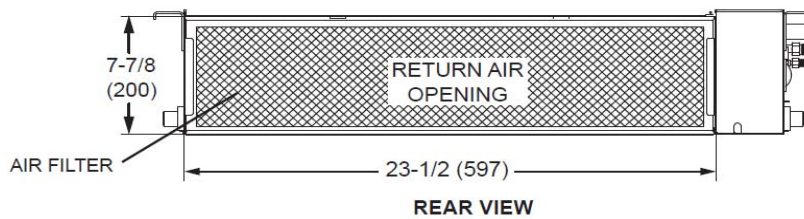
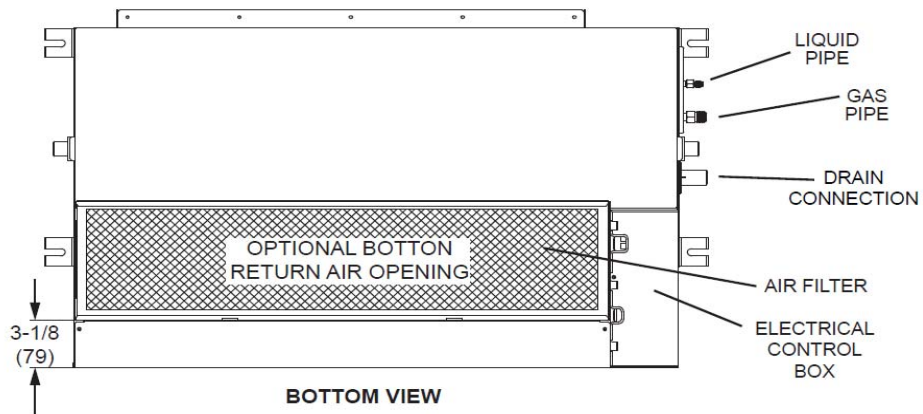
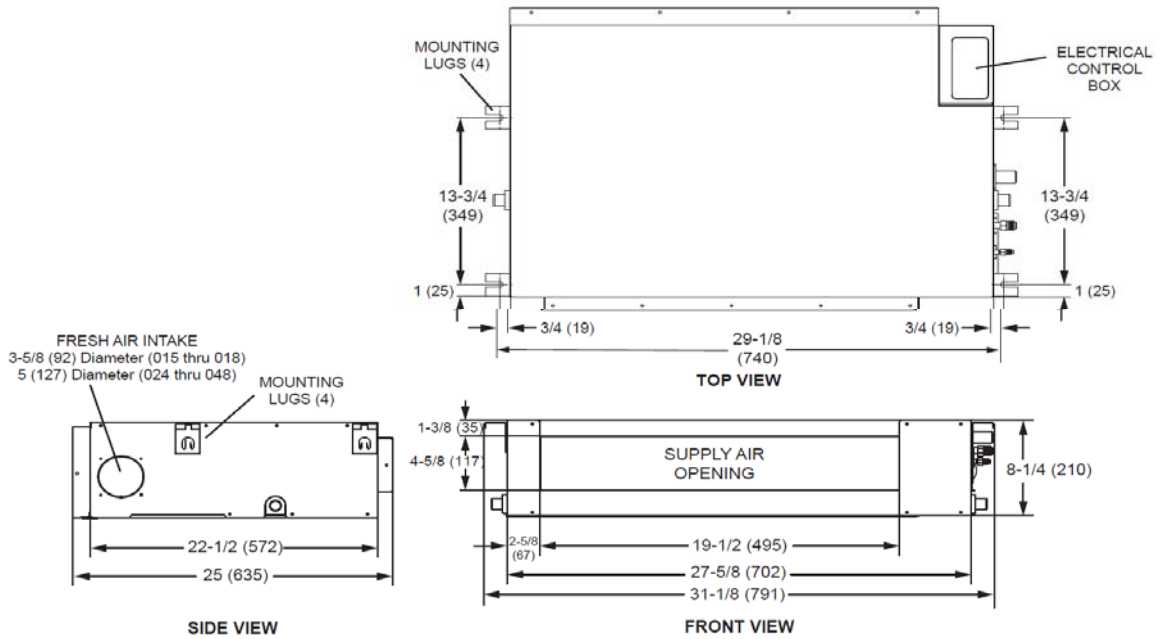


SUBMITTAL DATA - CEILING **DUCTED**

**MPB012S4S-1P - MMDA012S4-1P**

SINGLE ZONE MINI-SPLIT HEAT PUMP

**INDOOR DIMENSIONAL DRAWINGS - INCHES (MM)**



NOTE - Due to Lennox' ongoing commitment to quality, Specifications, Ratings, and Dimensions are subject to change without notice and without incurring liability. Improper installation, adjustment, alteration, service or maintenance can cause property damage or personal injury. Installation and service must be performed by a qualified installer and servicing agency.