



SUBMITTAL DATA – DUCTED
MPB012S4S-1P – MMDB012S4-2P
 SINGLE ZONE MINI-SPLIT HEAT PUMP

Job: _____
Location: _____
Schedule No.: _____
System Designation: _____

Engineer: _____
Architect: _____
Date: _____
For: Reference Approval Review Construction

FEATURES

MPB012S4S-1P

- DC Inverter Control
- Base Pan Heater
- Low Ambient Cooling/Heating
- Defrost Control
- Crankcase Heater

MMDB012S4-2P

- Pre Heat Function
- Built-In Condensate Pump
- Flare Connections
- R-410A Refrigerant
- Auto Restart
- Three selectable fan speeds
- LED Display
- Wired Remote Included

OUTDOOR SPECIFICATIONS

PERFORMANCE

Cooling Capacity (Btu/h) ¹	12,000
EER	12.5
SEER	21.5
Heating Capacity (Btu/h) ¹	12,000
HSPF	11.5
Outdoor Fan Total Air Volume (CFM)	1200
Ambient Temperature Operating Range	
Cooling	-13 - 122°F
Heating	-13 - 86°F

ELECTRICAL DATA

Power Supply (V/Hz/Φ)	208-230/60/1
Minimum Circuit Ampacity (A)	12
Maximum Overcurrent Protection (A)	15
Outdoor Fan Motor RLA (A)	0.4
Compressor RLA (A)	6.8
No. of Compressors	1

GENERAL DATA

Connection Ratio (%)	100%
Max. # of Indoor Units	1 unit
Sound Data (dBA) - Cooling/Heating	55 / 55
Refrigerant type	R-410A
Factory refrigerant charge	2 lbs. 9 oz.

DIMENSIONS

Unit Dimensions (in)	Height	21-7/8
	Width	32-1/8
	Depth	13-3/8
Shipping Weight (lb)		83
Net Weight (lb)		77

PRODUCT WARRANTY

Compressor – Twelve year limited warranty.
 All other covered components – Twelve year limited warranty.
 Product registration required.

OPTIONAL ACCESSORIES

Non-Programmable Controller (M0STAT61Q-1)	1+
Programmable Controller (M0STAT64Q-1)	

INDOOR SPECIFICATIONS

PERFORMANCE

Airflow (CFM)	High	340
	Medium	270
	Low	165
External Static Pressure (in. w.g.)		0 - 0.16
Sound Pressure (dBA)	High	38
	Medium	33.5
	Low	26

ELECTRICAL DATA

Power Supply (V/Hz/Φ)	Supplied by ODU
Rated load amps (RLA)	1.11
Power Output (W)	55

DIMENSIONS

Unit Dimensions (in)	Height	7-7/8
	Width	27-5/8
	Depth	17-3/4
Liquid Pipe Connection (in)		1/4
Gas Pipe Connection (in)		1/2
Condensate drain connection (in)		1
Unit Shipping Weight (lb)		49
Unit Net Weight (lb)		38

NOTES

- Cooling and Heating Capacity data is rated at the following conditions:
 Cooling: 80°FDB / 67°FWB Indoor, 95°FWB / 75°FDB Outdoor
 Heating: 70°FDB / 60°FWB Indoor, 47°FDB / 43°FWB Outdoor

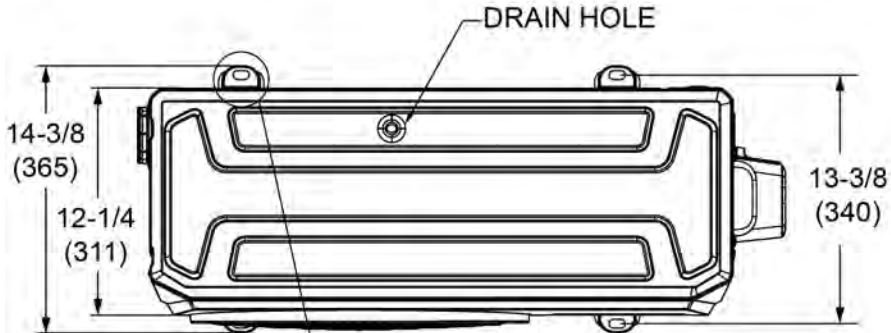


NOTE – Due to Lennox' ongoing commitment to quality, Specifications, Ratings, and Dimensions are subject to change without notice and without incurring liability. Improper installation, adjustment, alteration, service or maintenance can cause property damage or personal injury. Installation and service must be performed by a qualified installer and servicing agency.

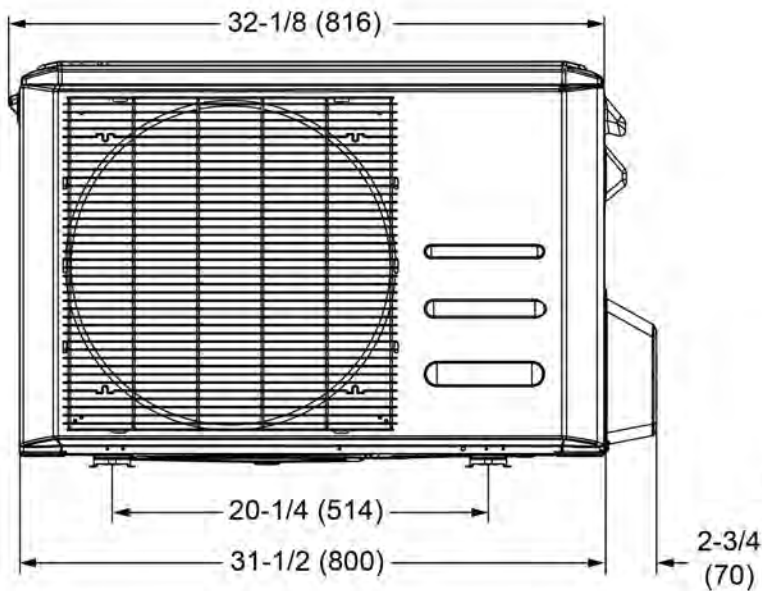
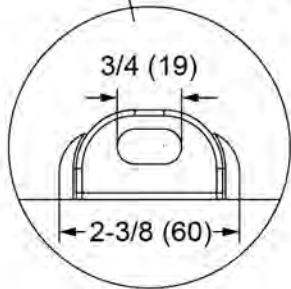


SUBMITTAL DATA - DUCTED
MPB012S4S-1P - MMDB012S4-2P
SINGLE ZONE MINI-SPLIT HEAT PUMP

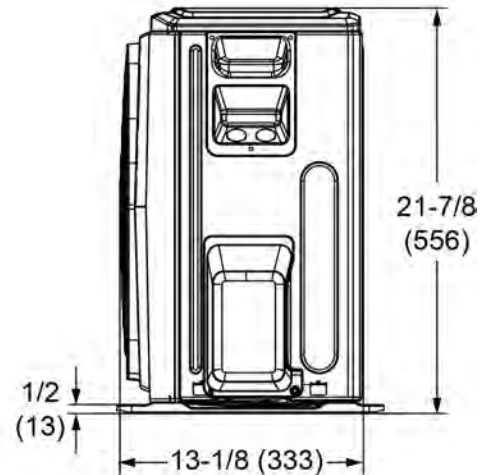
OUTDOOR DIMENSIONAL DRAWINGS - INCHES (MM)



TOP VIEW



FRONT VIEW



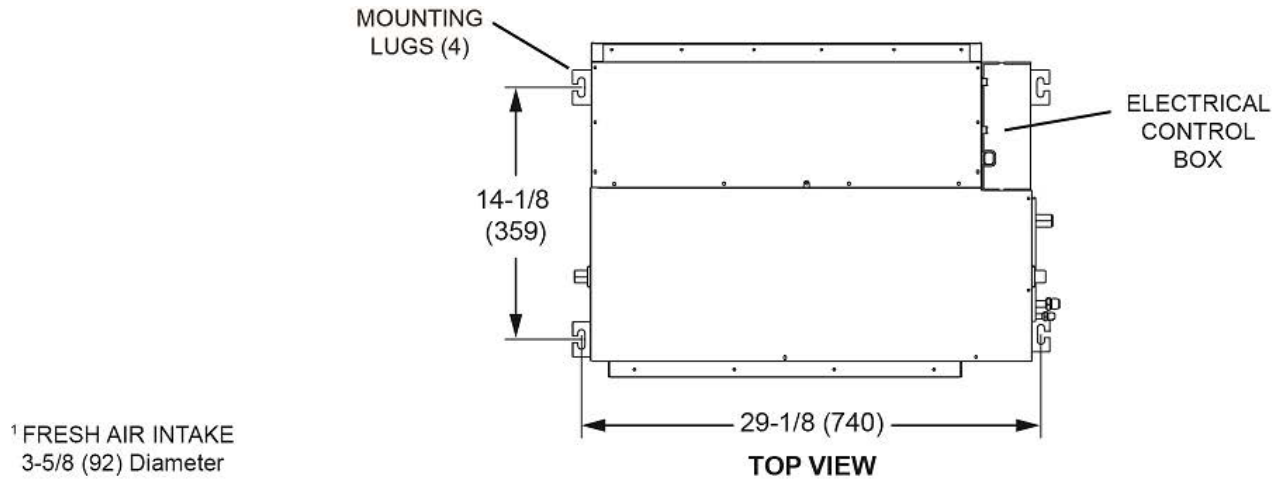
SIDE VIEW

NOTE - Due to Lennox' ongoing commitment to quality, Specifications, Ratings, and Dimensions are subject to change without notice and without incurring liability. Improper installation, adjustment, alteration, service or maintenance can cause property damage or personal injury. Installation and service must be performed by a qualified installer and servicing agency.

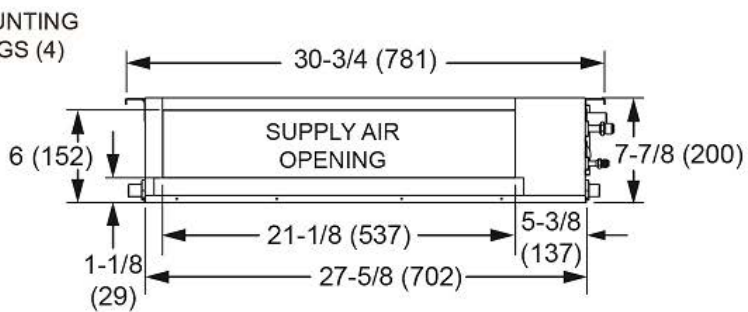
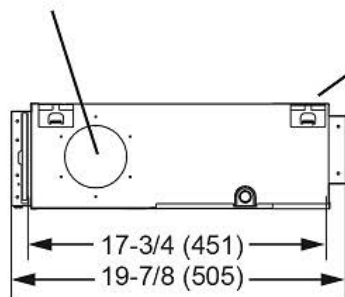


SUBMITTAL DATA - DUCTED
MPB012S4S-1P - MMDB012S4-2P
 SINGLE ZONE MINI-SPLIT HEAT PUMP

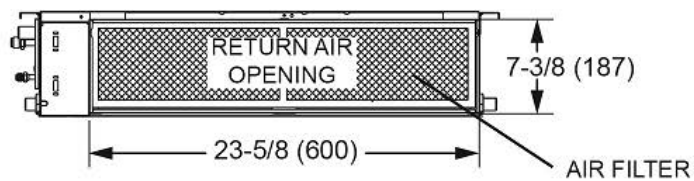
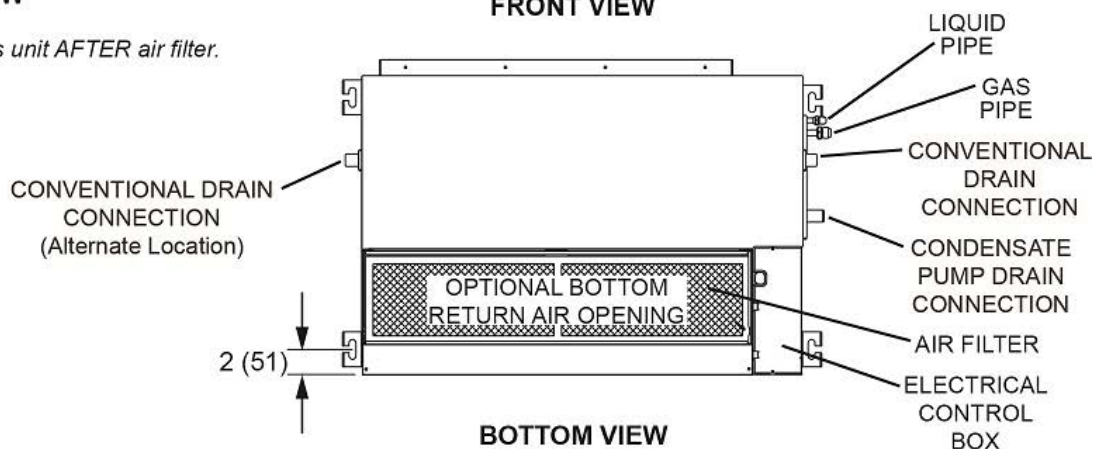
INDOOR DIMENSIONAL DRAWINGS - INCHES (MM)



¹ FRESH AIR INTAKE
 3-5/8 (92) Diameter



¹ NOTE - Outdoor air enters unit AFTER air filter.



NOTE - Due to Lennox' ongoing commitment to quality, Specifications, Ratings, and Dimensions are subject to change without notice and without incurring liability. Improper installation, adjustment, alteration, service or maintenance can cause property damage or personal injury. Installation and service must be performed by a qualified installer and servicing agency.