



**SUBMITTAL DATA – DUCTED**  
**MPB012S4S-1P – MMDB012S4-2P**  
 SINGLE ZONE MINI-SPLIT HEAT PUMP

**Job:** \_\_\_\_\_  
**Location:** \_\_\_\_\_  
**Schedule No.:** \_\_\_\_\_  
**System Designation:** \_\_\_\_\_

**Engineer:** \_\_\_\_\_  
**Architect:** \_\_\_\_\_  
**Date:** \_\_\_\_\_  
**For:**  Reference  Approval  Review  Construction

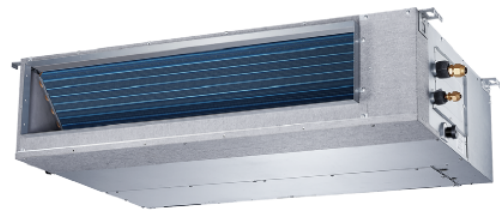
**FEATURES**

**Outdoor Unit: MPB012S4S-1P**



- DC Inverter Control
- Base Panel Heater
- Defrost Control
- Low Ambient Cooling/Heating

**Indoor Unit: MMDB012S4-2P**



- Auxiliary Heat Function
- Auto Restart
- Built-in Condensate Dump
- Three Selectable Fan Speeds
- Flare Connections
- LED Floodlight Panel
- Wired Remote Controller Included

**PIPING**

Line Set and Elevation Guidelines	
Maximum Line Set Length ft. (m)	82 (25)
Maximum Elevation - Outdoor Unit Below/Above Indoor Unit ft. (m)	33 (10)
Liquid Line Set Diameter (in.)	1/4
Gas Line Set Diameter (in.)	1/2
Pre-Charged (ft.)	25
Additional Charge of Refrigerant (oz/ft.)	0.161

**PRODUCT WARRANTY**

Compressor – Twelve year limited warranty\*  
 All other covered components - Twelve year limited warranty\*  
 \*Product registration required

**OPTIONAL ACCESSORIES**

Hail Guards (M9GARD14Q-1)  
 Programmable Controller (M0STAT64Q-1)



NOTE – Due to Lennox' ongoing commitment to quality, Specifications, Ratings, and Dimensions are subject to change without notice and without incurring liability. Improper installation, adjustment, alteration, service or maintenance can cause property damage or personal injury. Installation and service must be performed by a qualified installer and servicing agency.



**SUBMITTAL DATA - DUCTED**  
**MPB012S4S-1P – MMDB012S4-2P**  
 SINGLE ZONE MINI-SPLIT HEAT PUMP

**OUTDOOR SPECIFICATIONS**

PERFORMANCE	
Cooling Capacity (Btu/h) <sup>1</sup>	12,000
EER	12.5
SEER	21.5
Heating Capacity (Btu/h) <sup>1</sup>	12,000
HSPF	11.5
Outdoor Fan Total Air Volume (CFM)	1,200
Ambient Temperature Operating Range	
Cooling	-13°F - 122°F
Heating	-13°F - 86°F
ELECTRICAL DATA	
Power Supply (V/Hz/Φ)	208-230/60/1
Minimum Circuit Ampacity (A)	12
Maximum Overcurrent Protection (A)	15
Outdoor Fan Motor RLA (A)	0.4
Compressor RLA (A)	6.8
No. of Compressors	1

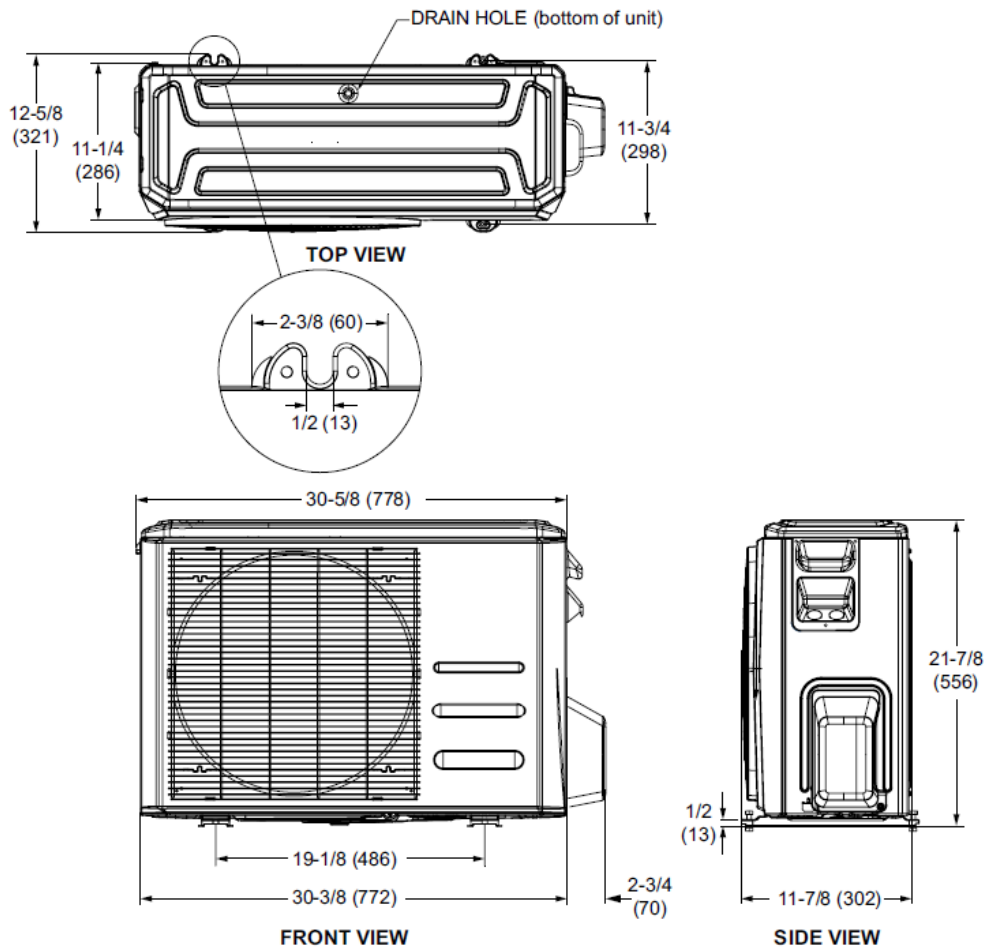
GENERAL DATA	
Connection Ratio (%)	100%
Max. # of Indoor Units	1 unit
Sound Data (dBA) - Cooling/Heating	55/55
Refrigerant type	R-410A
Factory refrigerant charge	2 lbs. 9 oz.

DIMENSIONS		
Unit Dimensions (in)	Height	21-7/8
	Width	30-3/8
	Depth	11-3/4
Shipping Weight (lb)	83	
Net Weight (lb)	77	

**NOTES**

1. Cooling and Heating Capacity data is rated at the following conditions:  
 Cooling: 80°FDB / 67°FWB Indoor, 95°FDB Outdoor  
 Heating: 70°FDB Indoor, 47°FDB / 43°FWB Outdoor

**OUTDOOR DIMENSIONAL DRAWINGS - INCHES (MM)**



NOTE – Due to Lennox' ongoing commitment to quality, Specifications, Ratings, and Dimensions are subject to change without notice and without incurring liability. Improper installation, adjustment, alteration, service or maintenance can cause property damage or personal injury. Installation and service must be performed by a qualified installer and servicing agency.



# SUBMITTAL DATA - **DUCTED**

## MPB012S4S-1P – MMDB012S4-2P

### SINGLE ZONE MINI-SPLIT HEAT PUMP

#### INDOOR SPECIFICATIONS

##### PERFORMANCE

Airflow (CFM)	High	340
	Medium	270
	Low	165
External Static Pressure (in. w.g.)		0 - 0.16
Sound Pressure (dBA)	High	38
	Medium	33.5
	Low	26

##### ELECTRICAL DATA

Power Supply (V/Hz/Φ)	Supplied by ODU
Rated load amps (RLA)	1
Power Output (W)	55

##### DIMENSIONS

Unit Dimensions (in)	Height	7-7/8
	Width	30-3/4
	Depth	19-7/8

Unit Net/Shipping Weight (lb)	38/49
-------------------------------	-------

##### PIPING

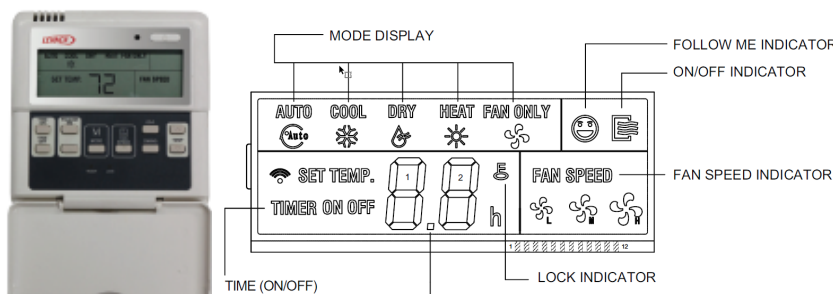
Liquid/Gas O.D. Flare (in.)	1/4 , 1/2
Drain Connection O.D. (in.)	1

#### WIRED REMOTE CONTROLLER SPECIFICATIONS

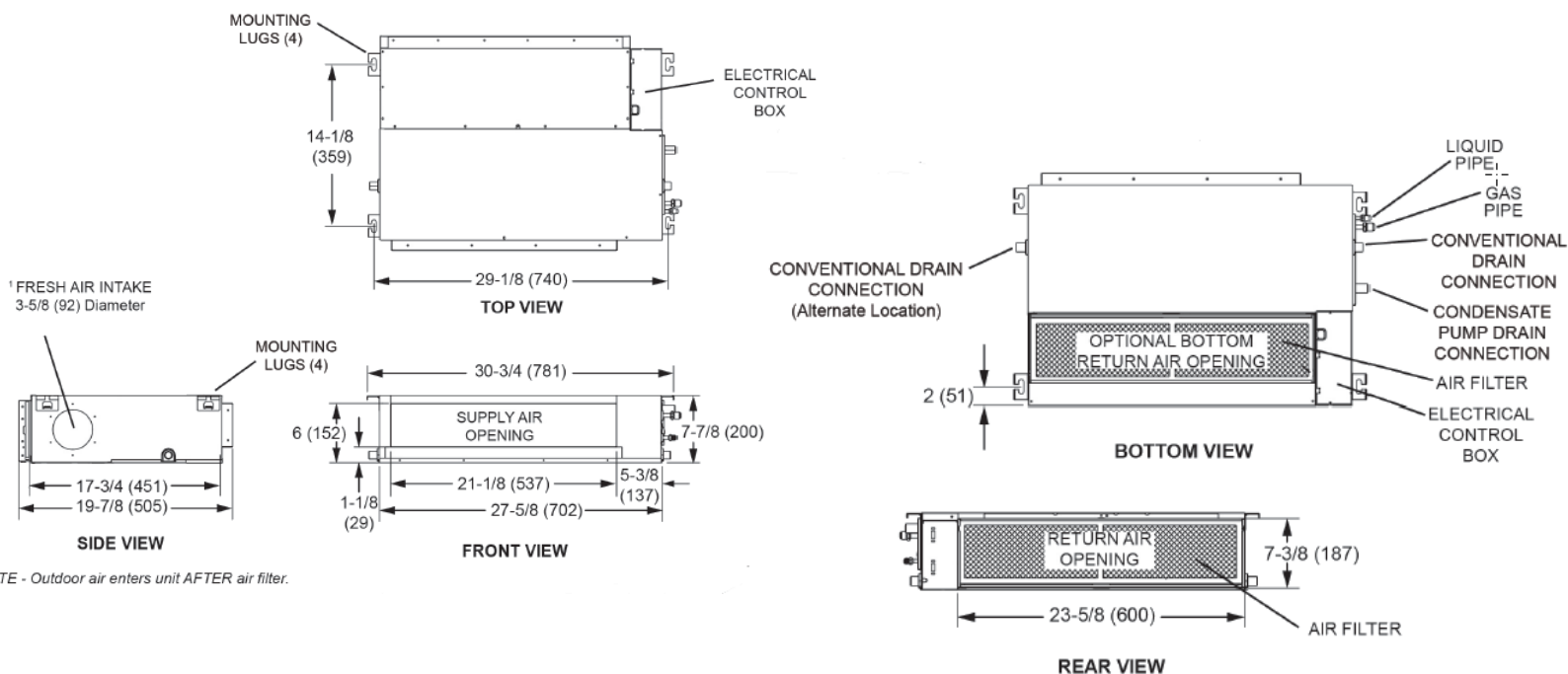
##### M0STAT61Q-1

Input Voltage (V)	5Vdc
Communication Cabling	Factory 4-wire harness
Operating Temperature Range	23°F to 110°F
Operating Humidity Range (RH)	40% ~ 90%
Setpoint Range	62°F ~ 86°F

#### DISPLAY



#### INDOOR DIMENSIONAL DRAWINGS - INCHES (MM)



<sup>1</sup> FRESH AIR INTAKE  
3-5/8 (92) Diameter

<sup>1</sup> NOTE - Outdoor air enters unit AFTER air filter.

NOTE - Due to Lennox' ongoing commitment to quality, Specifications, Ratings, and Dimensions are subject to change without notice and without incurring liability. Improper installation, adjustment, alteration, service or maintenance can cause property damage or personal injury. Installation and service must be performed by a qualified installer and servicing agency.