



SUBMITTAL DATA – DUCTED
MPB012S4S-1P – MMDB012S4-2P
 SINGLE ZONE MINI-SPLIT HEAT PUMP

Job: _____
Location: _____
Schedule No.: _____
System Designation: _____

Engineer: _____
Architect: _____
Date: _____
For: Reference Approval Review Construction

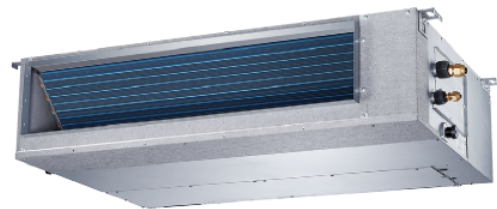
FEATURES

Outdoor Unit: MPB012S4S-1P



- DC Inverter Control
- Compressor Overcurrent Protection
- Base Dancer
- Defrost Control

Indoor Unit: MMDB012S4-2P



- Auxiliary Heat Function
- Auto Restart
- Built-In Condensate Pump
- Three Selectable Fan Speeds
- Flare Connections
- LED Readout Panel
- Wired Remote Controller Included

PIPING

Line Set and Elevation Guidelines

Maximum Line Set Length ft. (m)	82 (25)
Maximum Elevation - Outdoor Unit Below/Above Indoor Unit ft. (m)	33 (10)
Liquid Line Set Diameter (in.)	1/4
Gas Line Set Diameter (in.)	1/2
Pre-Charged (ft.)	25
Additional Charge of Refrigerant (oz/ft.)	0.16

PRODUCT WARRANTY

Compressor – Twelve year limited warranty*
 All other covered components - Twelve year limited warranty*
 *Product registration required

OPTIONAL ACCESSORIES

Hail Guards (M9GARD14Q-1)
 Programmable Controller (M0STAT64Q-1)



NOTE – Due to Lennox' ongoing commitment to quality, Specifications, Ratings, and Dimensions are subject to change without notice and without incurring liability. Improper installation, adjustment, alteration, service or maintenance can cause property damage or personal injury. Installation and service must be performed by a qualified installer and servicing agency.



SUBMITTAL DATA - DUCTED
MPB012S4S-1P – MMDB012S4-2P
 SINGLE ZONE MINI-SPLIT HEAT PUMP

OUTDOOR SPECIFICATIONS

PERFORMANCE	
Cooling Capacity (Btu/h) ¹	12,000
EER	12.5
SEER	21.5
Heating Capacity (Btu/h) ¹	12,000
HSPF	11.5
Outdoor Fan Total Air Volume (CFM)	1,200
Ambient Temperature Operating Range	
Cooling	-13°F - 122°F
Heating	-13°F - 86°F
ELECTRICAL DATA	
Power Supply (V/Hz/Φ)	208-230/60/1
Minimum Circuit Ampacity (A)	12
Maximum Overcurrent Protection (A)	15
Outdoor Fan Motor RLA (A)	0.4
Compressor RLA (A)	6.8
No. of Compressors	1

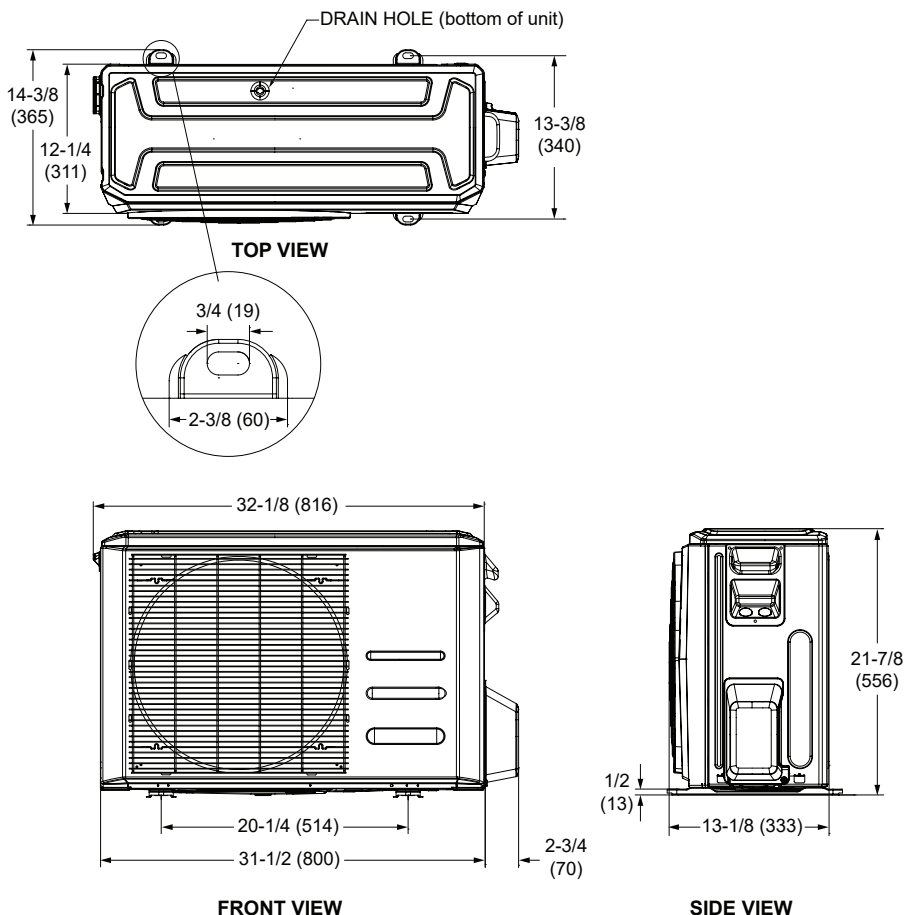
GENERAL DATA	
Connection Ratio (%)	100%
Max. # of Indoor Units	1 unit
Sound Data (dBA) - Cooling/Heating	55/55
Refrigerant type	R-410A
Factory refrigerant charge	2 lbs. 9 oz.

DIMENSIONS		
Unit Dimensions (in)	Height	21-7/8
	Width	31-1/2
	Depth	11-3/4
Shipping Weight (lb)	83	
Net Weight (lb)	77	

NOTES

1. Cooling and Heating Capacity data is rated at the following conditions:
 Cooling: 80°FDB / 67°FWB Indoor, 95°FDB Outdoor
 Heating: 70°FDB Indoor, 47°FDB / 43°FWB Outdoor

OUTDOOR DIMENSIONAL DRAWINGS - INCHES (MM)



NOTE – Due to Lennox' ongoing commitment to quality, Specifications, Ratings, and Dimensions are subject to change without notice and without incurring liability. Improper installation, adjustment, alteration, service or maintenance can cause property damage or personal injury. Installation and service must be performed by a qualified installer and servicing agency.



SUBMITTAL DATA - **DUCTED**

MPB012S4S-1P – MMDB012S4-2P

SINGLE ZONE MINI-SPLIT HEAT PUMP

INDOOR SPECIFICATIONS

PERFORMANCE

Airflow (CFM)	High	340
	Medium	270
	Low	165
External Static Pressure (in. w.g.)		0 - 0.16
Sound Pressure (dBA)	High	38
	Medium	33.5
	Low	26

ELECTRICAL DATA

Power Supply (V/Hz/Φ)	Supplied by ODU
Rated load amps (RLA)	1
Power Output (W)	55

DIMENSIONS

Unit Dimensions (in)	Height	7-7/8
	Width	30-3/4
	Depth	19-7/8

Unit Net/Shipping Weight (lb)	38/49
-------------------------------	-------

PIPING

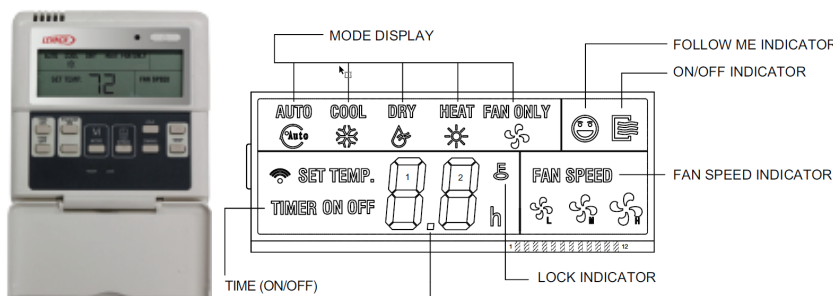
Liquid/Gas O.D. Flare (in.)	1/4 , 1/2
Drain Connection O.D. (in.)	1

WIRED REMOTE CONTROLLER SPECIFICATIONS

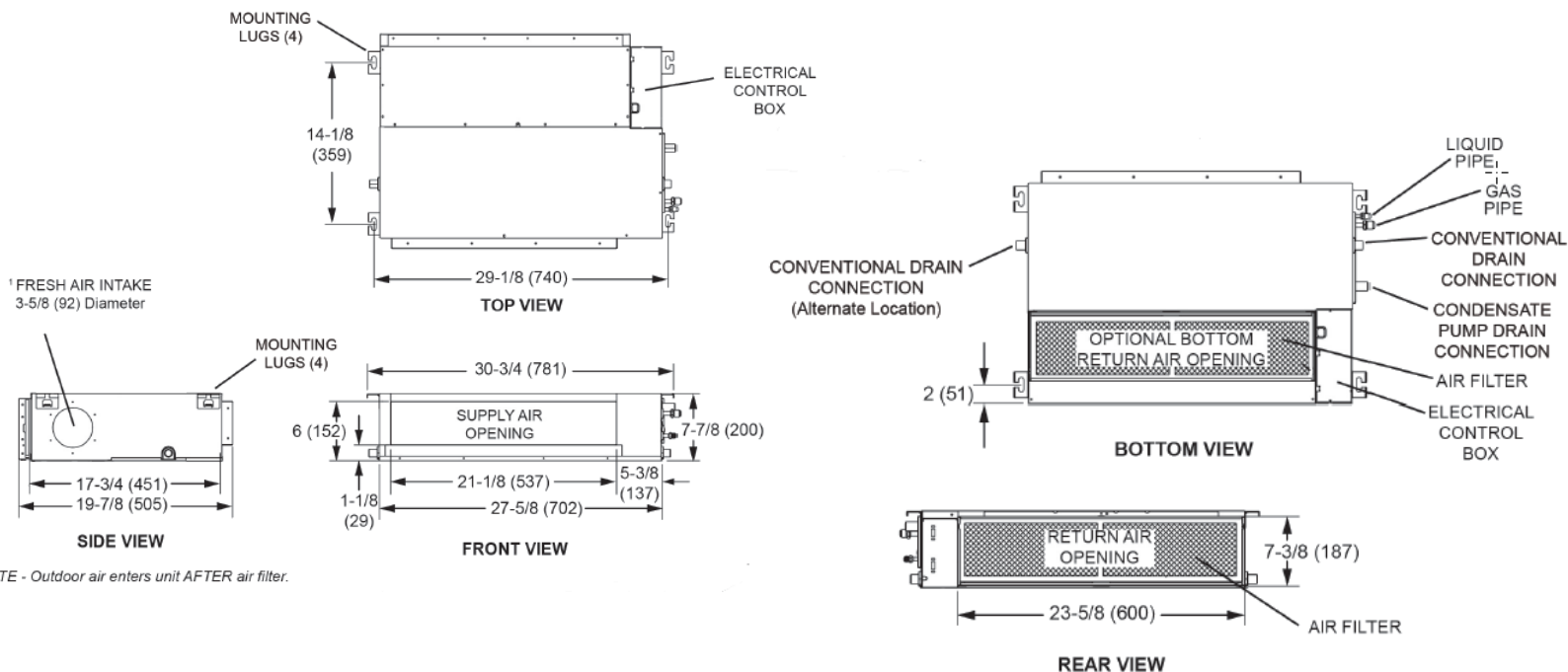
M0STAT61Q-1

Input Voltage (V)	5Vdc
Communication Cabling	Factory 4-wire harness
Operating Temperature Range	23°F to 110°F
Operating Humidity Range (RH)	40% ~ 90%
Setpoint Range	62°F ~ 86°F

DISPLAY



INDOOR DIMENSIONAL DRAWINGS - INCHES (MM)



¹ NOTE - Outdoor air enters unit AFTER air filter.

NOTE – Due to Lennox' ongoing commitment to quality, Specifications, Ratings, and Dimensions are subject to change without notice and without incurring liability. Improper installation, adjustment, alteration, service or maintenance can cause property damage or personal injury. Installation and service must be performed by a qualified installer and servicing agency.

495618 (202004)

©2020 Lennox Industries, Inc.