



SUBMITTAL DATA – DUCTED
MPB018S4S-1P – MMDA018S4-1P
 SINGLE ZONE MINI-SPLIT HEAT PUMP

Job: _____
Location: _____
Schedule No.: _____
System Designation: _____

Engineer: _____
Architect: _____
Date: _____
For: Reference Approval Review Construction

FEATURES

MPB018S4S-1P

- DC Inverter Control
- Base Pan Heater
- Low Ambient Cooling/Heating
- Defrost Control
- Crankcase Heater

MMDA018S4-1P

- Pre Heat Function
- Built-In Condensate Pump
- Flare Connections
- R-410A Refrigerant
- Auto Restart
- Three selectable fan speeds
- LED Display
- Wired Remote Included

OUTDOOR SPECIFICATIONS

PERFORMANCE

Cooling Capacity (Btu/h) ¹	18,000
EER	12.5
SEER	19
Heating Capacity (Btu/h) ¹	18,000
HSPF	10.5
Outdoor Fan Total Air Volume (CFM)	1470
Ambient Temperature Operating Range	
Cooling	-13 - 122°F
Heating	-13 - 86°F

ELECTRICAL DATA

Power Supply (V/Hz/Φ)	208-230/60/1
Minimum Circuit Ampacity (A)	15
Maximum Overcurrent Protection (A)	20
Outdoor Fan Motor RLA (A)	0.6
Compressor RLA (A)	10.0
No. of Compressors	1

GENERAL DATA

Connection Ratio (%)	100%
Max. # of Indoor Units	1 unit
Sound Data (dBA) - Cooling/Heating	60 / 60
Refrigerant type	R-410A
Factory refrigerant charge	4 lbs. 5 oz.

DIMENSIONS

Unit Dimensions (in)	Height	27-1/2
	Width	33-1/4
	Depth	13
Shipping Weight (lb)		113
Net Weight (lb)		107

PRODUCT WARRANTY

Compressor – Twelve year limited warranty.
 All other covered components – Twelve year limited warranty.
 Product registration required.

OPTIONAL ACCESSORIES

Non-Programmable Controller (M0STAT61Q-1)	1+
Wireless Remote Controller (M0STAT60Q-1)	
Programmable Controller (M0STAT64Q-1)	

INDOOR SPECIFICATIONS

PERFORMANCE

Airflow (CFM)	High	520
	Medium	430
	Low	360
External Static Pressure (in. w.g.)		0 - 0.28
Sound Pressure (dBA)	High	41
	Medium	39
	Low	37

ELECTRICAL DATA

Power Supply (V/Hz/Φ)	Supplied by ODU
Rated load amps (RLA)	1.5
Power Output (W)	90

DIMENSIONS

Unit Dimensions (in)	Height	8-1/4
	Width	36-1/4
	Depth	22-1/2
Liquid Pipe Connection (in)		1/4
Gas Pipe Connection (in)		1/2
Condensate drain connection (in)		1
Unit Shipping Weight (lb)		61
Unit Net Weight (lb)		51

NOTES

- Cooling and Heating Capacity data is rated at the following conditions:
 Cooling: 80°FDB / 67°FWB Indoor, 95°FWB / 75°FDB Outdoor
 Heating: 70°FDB / 60°FWB Indoor, 47°FDB / 43°FWB Outdoor

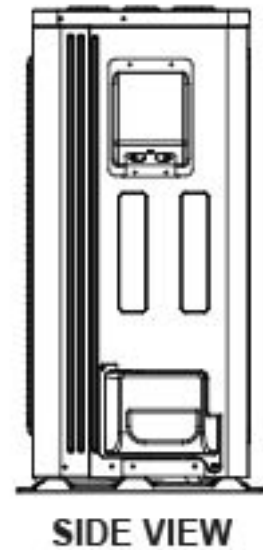
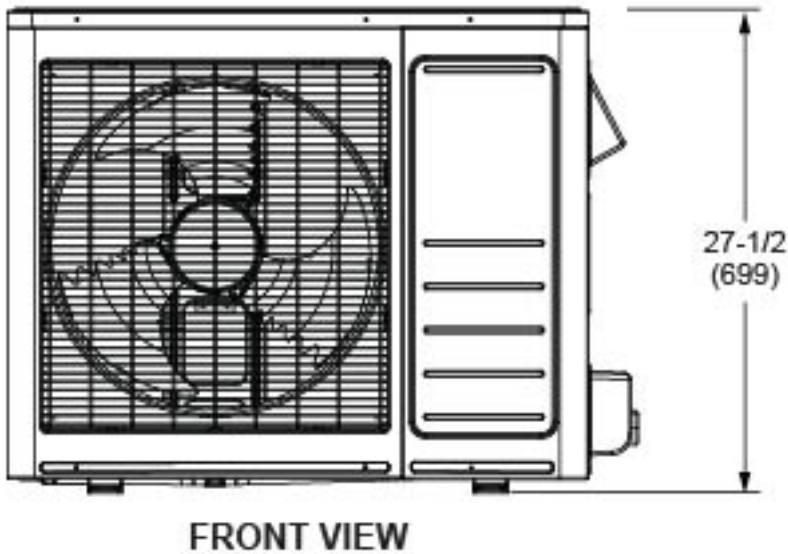
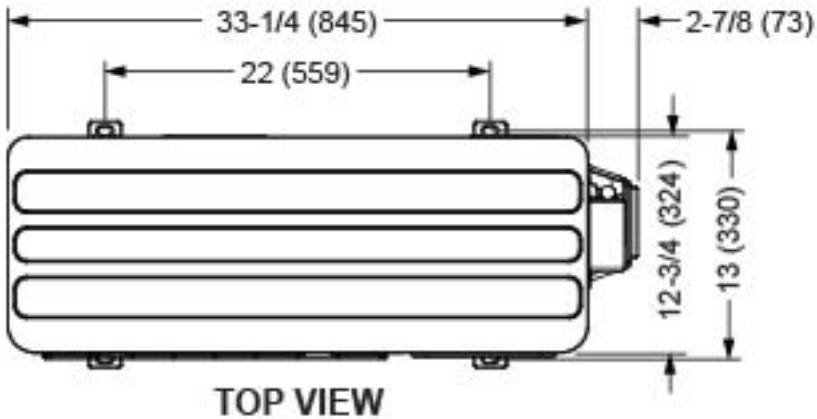


NOTE – Due to Lennox' ongoing commitment to quality. Specifications, Ratings, and Dimensions are subject to change without notice and without incurring liability. Improper installation, adjustment, alteration, service or maintenance can cause property damage or personal injury. Installation and service must be performed by a qualified installer and servicing agency.



SUBMITTAL DATA - DUCTED
MPB018S4S-1P - MMDA018S4-1P
SINGLE ZONE MINI-SPLIT HEAT PUMP

OUTDOOR DIMENSIONAL DRAWINGS - INCHES (MM)

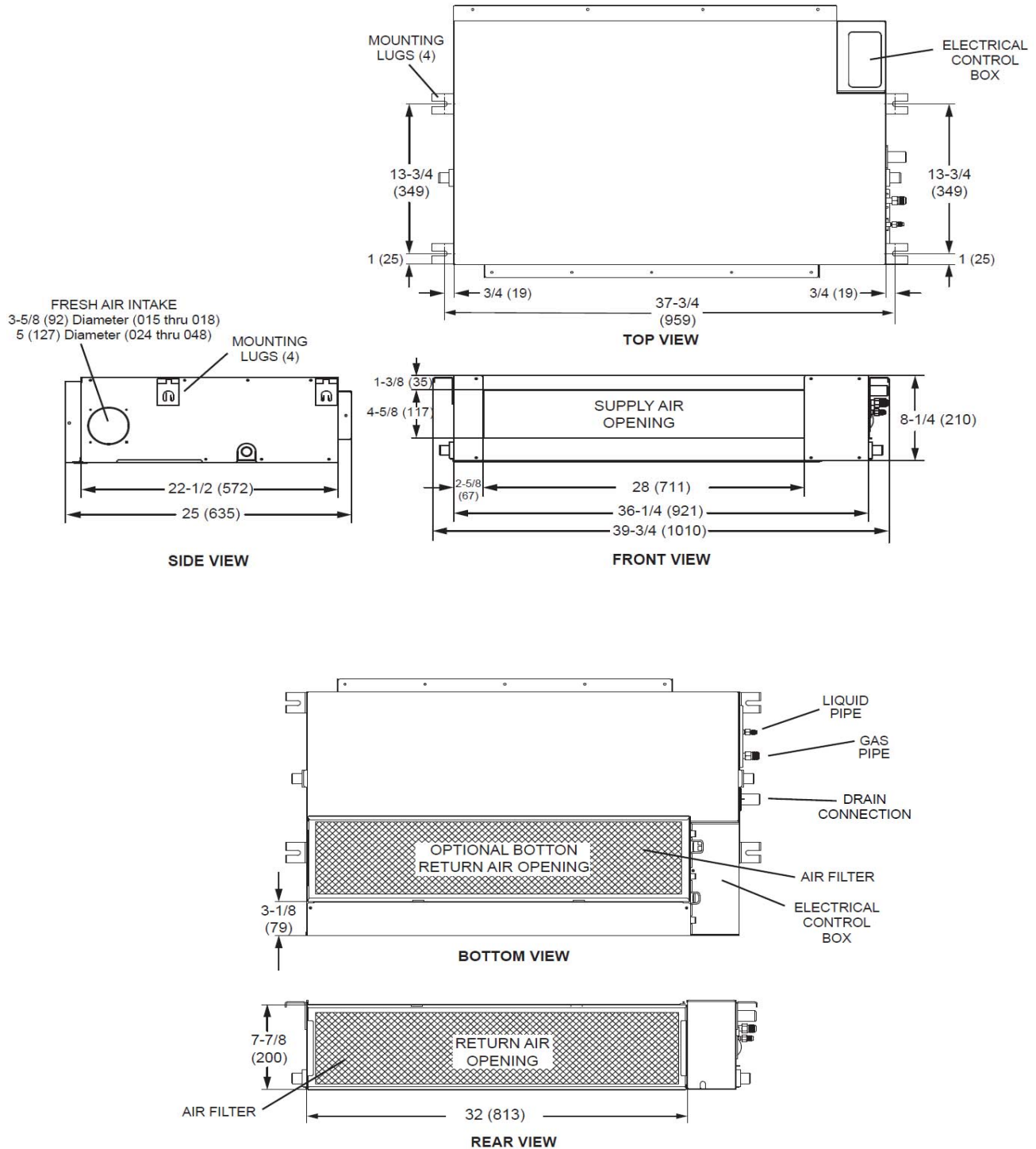


NOTE - Due to Lennox' ongoing commitment to quality, Specifications, Ratings, and Dimensions are subject to change without notice and without incurring liability. Improper installation, adjustment, alteration, service or maintenance can cause property damage or personal injury. Installation and service must be performed by a qualified installer and servicing agency.



SUBMITTAL DATA - DUCTED
MPB018S4S-1P - MMDA018S4-1P
 SINGLE ZONE MINI-SPLIT HEAT PUMP

INDOOR DIMENSIONAL DRAWINGS - INCHES (MM)



NOTE - Due to Lennox' ongoing commitment to quality, Specifications, Ratings, and Dimensions are subject to change without notice and without incurring liability. Improper installation, adjustment, alteration, service or maintenance can cause property damage or personal injury. Installation and service must be performed by a qualified installer and servicing agency.