



# SUBMITTAL DATA - **WALL-MOUNTED** **MPB018S4S-1P - MWMA018S4-2P** **SINGLE-ZONE MINI-SPLIT HEAT PUMP**

**Job:** \_\_\_\_\_  
**Location:** \_\_\_\_\_  
**Schedule No.:** \_\_\_\_\_  
**System Designation:** \_\_\_\_\_

**Engineer:** \_\_\_\_\_  
**Architect:** \_\_\_\_\_  
**Date:** \_\_\_\_\_  
**For:** Reference Approval Review Construction

## FEATURES

### MPB018S4S-1P

- DC Inverter Control
- Compressor Overcurrent Protection
- Defrost Control

### MWMA018S4-2P

- Pre Heat Function
- Multi-Refrigerant Outlet
- Flare Connections
- Refrigerant R-410A
- Auto Restart
- Cooling Override
- LED Display
- Wireless Remote Controller included

### Product Warranty

Compressor – Twelve year limited warranty.  
All other covered components – Twelve year limited warranty.  
Product registration required.

## OUTDOOR SPECIFICATIONS

### PERFORMANCE

Cooling Capacity (Btu/h) <sup>1</sup>	18,000
EER	13.00
SEER	21.00
Heating Capacity (Btu/h) <sup>1</sup>	18,000
HSPF	10.40
Outdoor Fan Total Air Volume (cfm)	1470
Ambient Temperature Operating Range	
Cooling	-13°F to 122°F
Heating	-13°F to 86°F

### ELECTRICAL DATA

Power Supply (V/Hz/Ph)	208-230/60/1
Minimum Circuit Ampacity (A)	15
Maximum Overcurrent Protection (A)	20
Outdoor Fan Motor RLA (A)	0.6
Compressor RLA (A)	10.0
No. of Compressors	1

### GENERAL DATA

Connection Ratio (%)	100%
Max. # of Indoor Units	1 unit
Sound Data (dBA) - Cooling/Heating	60 / 60
Refrigerant type	R-410A
Factory refrigerant charge	4 lbs. 5 oz.

### DIMENSIONS

Unit Dimensions (in)	Height	27-1/2
	Width	33-1/4
	Depth	13
Shipping Weight (lb)		113
Net Weight (lb)		107

## OPTIONAL ACCESSORIES

Non-Programmable Controller (M0STAT61Q-1):	
Wireless Remote Controller (M0STAT60Q-1):	1+
Programmable Controller (M0STAT64Q-1):	

## INDOOR SPECIFICATIONS

### PERFORMANCE

Airflow (CFM)	High	530
	Medium	410
	Low	295
External Static Pressure (in. w.g.)		-
Sound Pressure (dBA)	High	46.2
	Medium	36.3
	Low	30.9

### ELECTRICAL DATA

Power Supply (V/Hz/Φ)	Supplied by ODU
Rated load amps (RLA)	0.13
Power Output (W)	58

### DIMENSIONS

Unit Dimensions (in)	Height	12-3/8
	Width	39
	Depth	8-5/8
Liquid Pipe Connection (in)		1/4
Gas Pipe Connection (in)		1/2
Condensate drain connection (in)		1
Unit Shipping Weight (lb)		35
Unit Net Weight (lb)		27

## NOTES

- Cooling and Heating Capacity data is rated at the following conditions:  
Cooling: 80°FDB / 67°FWB Indoor, 95°FWB / 75°FDB Outdoor  
Heating: 70°FDB / 60°FWB Indoor, 47°FDB / 43°FWB Outdoor

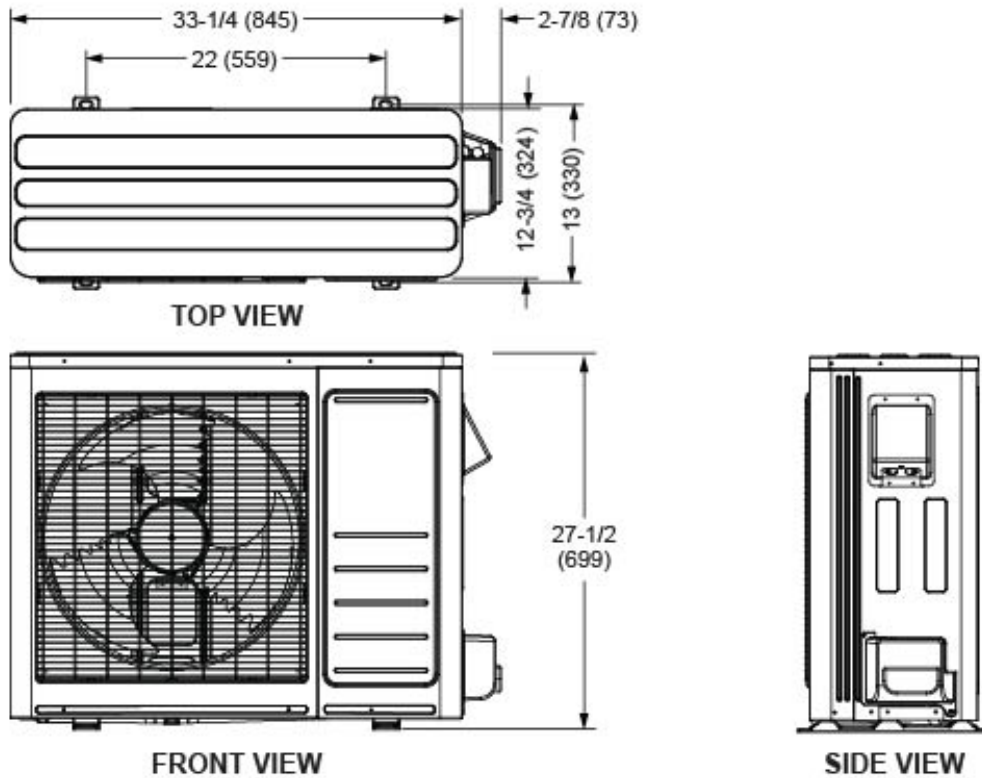


NOTE – Due to Lennox' ongoing commitment to quality, Specifications, Ratings and Dimensions subject to change without notice and without incurring liability. Improper installation, adjustment, alteration, service or maintenance can cause property damage or personal injury. Installation and service must be performed by a qualified installer and servicing agency.

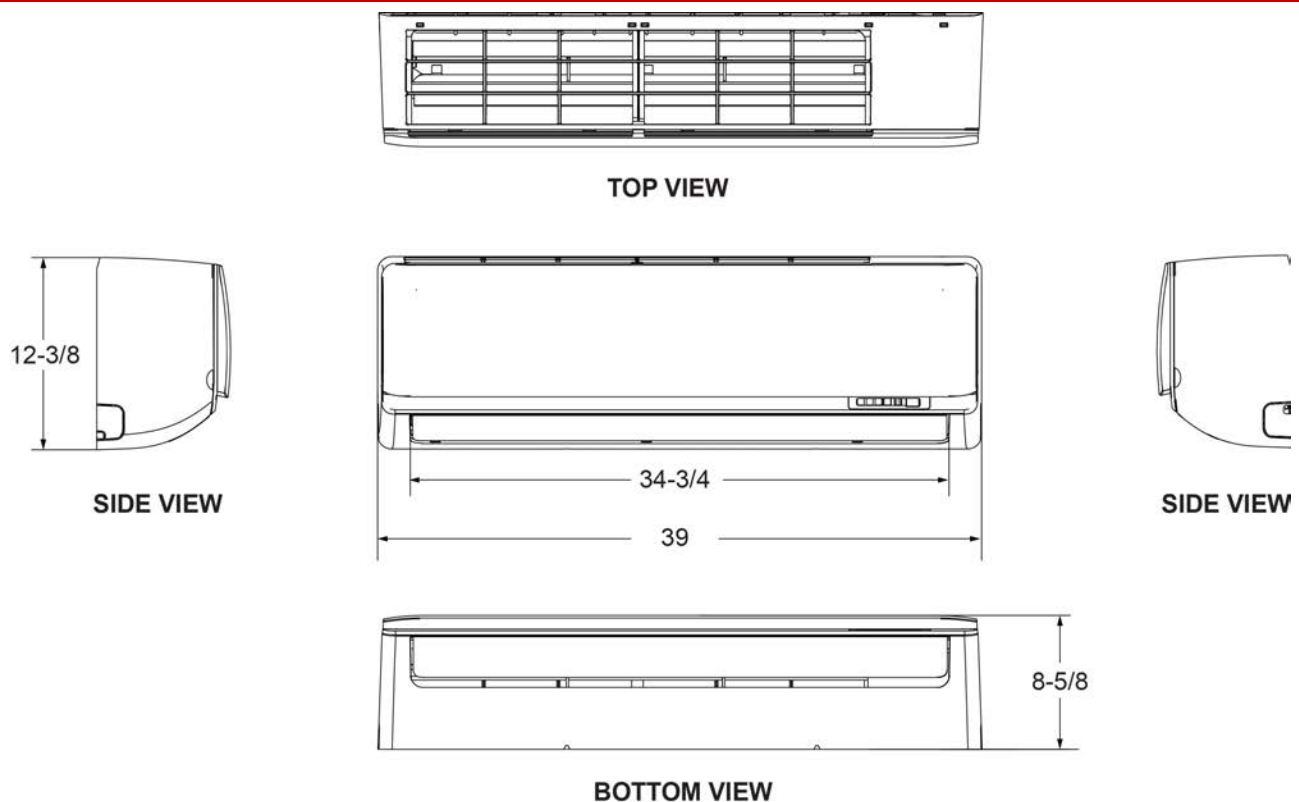


SUBMITTAL DATA - **WALL-MOUNTED**  
**MPB018S4S-1P - MWMA018S4-2P**  
**SINGLE-ZONE MINI-SPLIT HEAT PUMP**

**OUTDOOR DIMENSIONAL DRAWINGS - INCHES (MM)**



**INDOOR DIMENSIONAL DRAWINGS - INCHES (MM)**



NOTE - Due to Lennox' ongoing commitment to quality, Specifications, Ratings and Dimensions subject to change without notice and without incurring liability. Improper installation, adjustment, alteration, service or maintenance can cause property damage or personal injury. Installation and service must be performed by a qualified installer and servicing agency.