



**SUBMITTAL DATA – CEILING CASSETTE**  
**MPB024S4S-1P – M33A024S4-2P**  
 SINGLE ZONE MINI-SPLIT HEAT PUMP

**Job:** \_\_\_\_\_  
**Location:** \_\_\_\_\_  
**Schedule No.:** \_\_\_\_\_  
**System Designation:** \_\_\_\_\_

**Engineer:** \_\_\_\_\_  
**Architect:** \_\_\_\_\_  
**Date:** \_\_\_\_\_  
**For:**  Reference  Approval  Review  Construction

**FEATURES**

**MPB024S4S-1P**

- DC Inverter Control
- Base Pan Heater
- Low Ambient Cooling/Heating
- Defrost Control
- Crankcase Heater

**M33A024S4-2P**

- Pre Heat Function
- Built-In Condensate Pump
- Flare Connections
- R-410A Refrigerant
- Auto Restart
- Four selectable fan speeds
- LED Display
- Wireless Remote Included

**OUTDOOR SPECIFICATIONS**

**PERFORMANCE**

Cooling Capacity (Btu/h) <sup>1</sup>	24,000
EER	12.5
SEER	20
Heating Capacity (Btu/h) <sup>1</sup>	24,400
HSPF	10.5
Outdoor Fan Total Air Volume (CFM)	2235
Ambient Temperature Operating Range	
Cooling	-13 - 122°F
Heating	-13 - 86°F

**ELECTRICAL DATA**

Power Supply (V/Hz/Φ)	208-230/60/1
Minimum Circuit Ampacity (A)	18
Maximum Overcurrent Protection (A)	25
Outdoor Fan Motor RLA (A)	0.6
Compressor RLA (A)	12
No. of Compressors	1

**GENERAL DATA**

Connection Ratio (%)	100%
Max. # of Indoor Units	1 unit
Sound Data (dBA) - Cooling/Heating	61 / 61
Refrigerant type	R-410A
Factory refrigerant charge	5 lbs. 3 oz.

**DIMENSIONS**

Unit Dimensions (in)	Height	31-7/8
	Width	37-1/4
	Depth	15-7/8
Shipping Weight (lb)		149
Net Weight (lb)		137

**PRODUCT WARRANTY**

Compressor – Twelve year limited warranty.  
 All other covered components – Twelve year limited warranty.  
 Product registration required.

**OPTIONAL ACCESSORIES**

Non-Programmable Controller (M0STAT61Q-1)	
Wireless Remote Controller (M0STAT60Q-1)	1+
Programmable Controller (M0STAT64Q-1)	

**INDOOR SPECIFICATIONS**

**PERFORMANCE**

Airflow (CFM)	High	700
	Medium	635
	Low	575
External Static Pressure (in. w.g.)		-
Sound Pressure (dBA)	High	51
	Medium	47
	Low	43

**ELECTRICAL DATA**

Power Supply (V/Hz/Φ)	Supplied by ODU
Rated load amps (RLA)	2
Power Output (W)	42

**DIMENSIONS**

Unit Dimensions (in)	Height	8-1/8
	Width	33-1/8
	Depth	33-1/8
Liquid Pipe Connection (in)		3/8
Gas Pipe Connection (in)		5/8
Condensate drain connection (in)		1-1/4
Unit Shipping Weight (lb)		55
Unit Net Weight (lb)		47

**NOTES**

- Cooling and Heating Capacity data is rated at the following conditions:  
 Cooling: 80°FDB / 67°FWB Indoor, 95°FWB / 75°FDB Outdoor  
 Heating: 70°FDB / 60°FWB Indoor, 47°FDB / 43°FWB Outdoor
- Cassette Panel (M0STAT63Q-1) ordered separately.

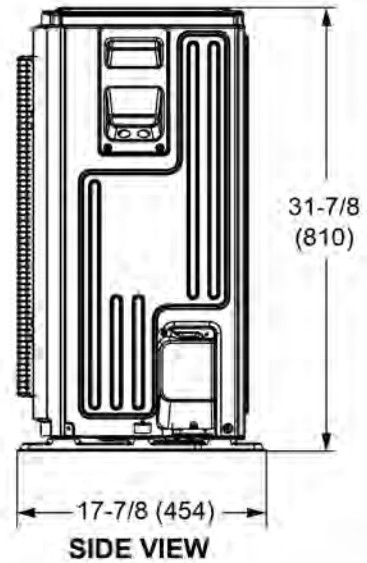
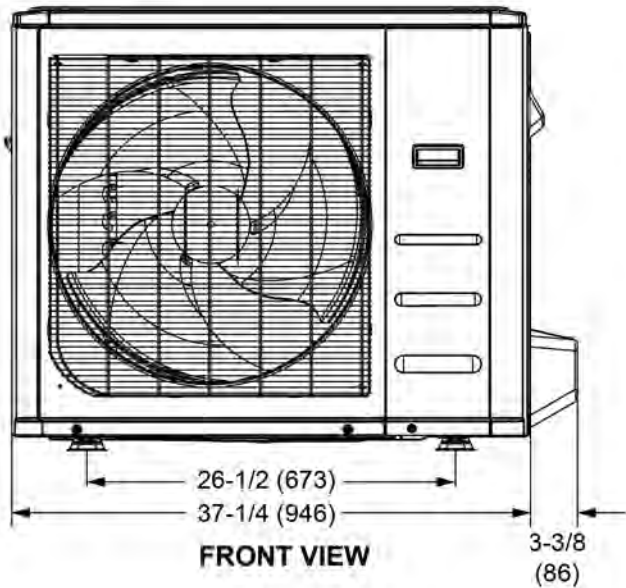
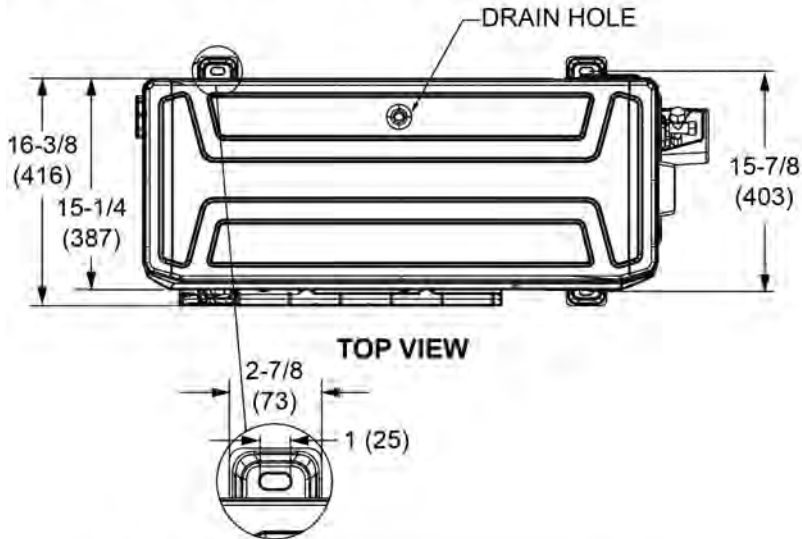


NOTE – Due to Lennox' ongoing commitment to quality, Specifications, Ratings, and Dimensions are subject to change without notice and without incurring liability. Improper installation, adjustment, alteration, service or maintenance can cause property damage or personal injury. Installation and service must be performed by a qualified installer and servicing agency.



SUBMITTAL DATA - CEILING CASSETTE  
**MPB024S4S-1P – M33A024S4-2P**  
SINGLE ZONE MINI-SPLIT HEAT PUMP

**OUTDOOR DIMENSIONAL DRAWINGS - INCHES (MM)**



NOTE – Due to Lennox' ongoing commitment to quality, Specifications, Ratings, and Dimensions are subject to change without notice and without incurring liability. Improper installation, adjustment, alteration, service or maintenance can cause property damage or personal injury. Installation and service must be performed by a qualified installer and servicing agency.

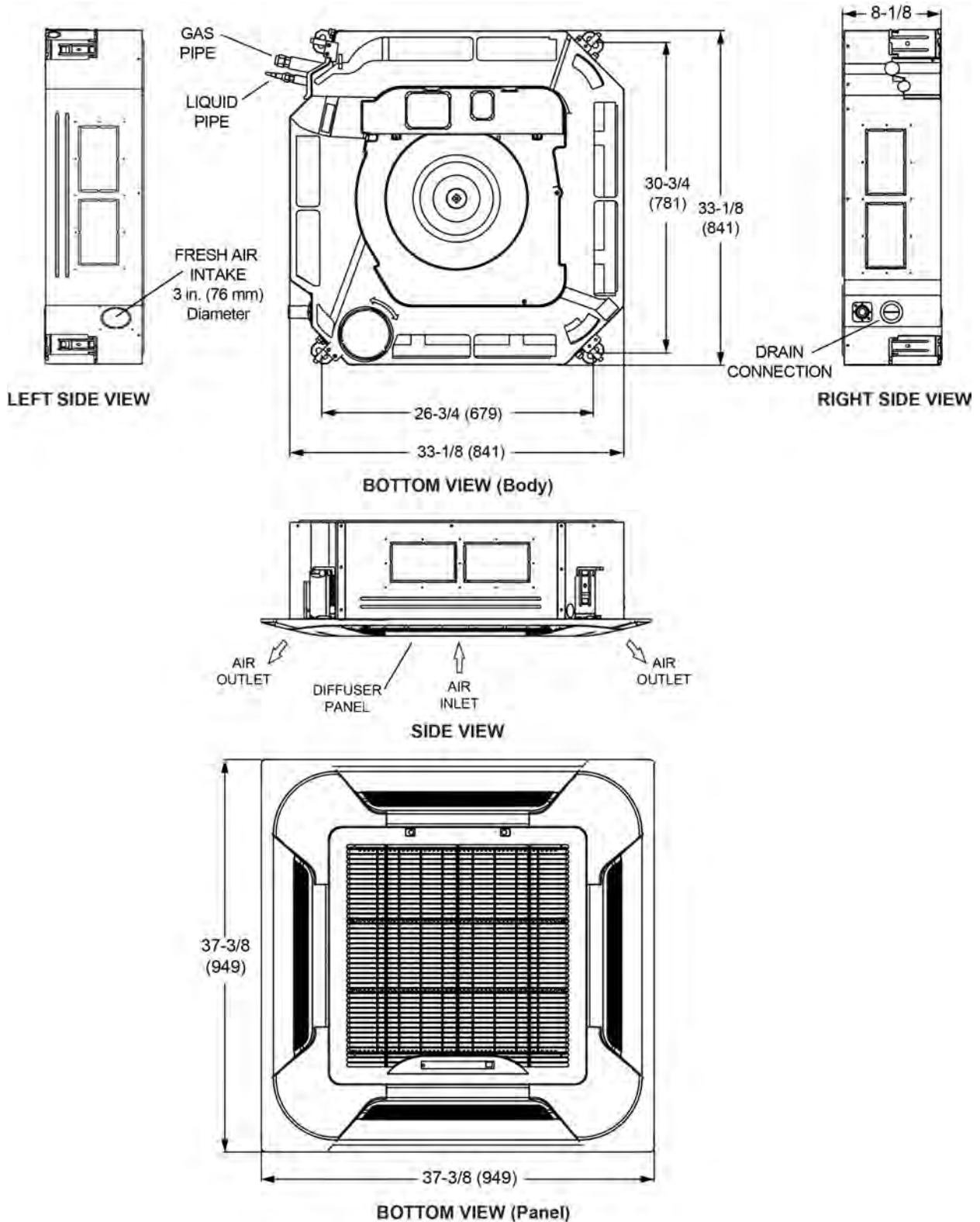


# SUBMITTAL DATA - CEILING CASSETTE

## MPB024S4S-1P – M33A024S4-2P

### SINGLE ZONE MINI-SPLIT HEAT PUMP

#### INDOOR DIMENSIONAL DRAWINGS - INCHES (MM)



NOTE – Due to Lennox' ongoing commitment to quality, Specifications, Ratings, and Dimensions are subject to change without notice and without incurring liability. Improper installation, adjustment, alteration, service or maintenance can cause property damage or personal injury. Installation and service must be performed by a qualified installer and servicing agency.