



**SUBMITTAL DATA – DUCTED**  
**MPB024S4S-1P – MMDA024S4-2P**  
 SINGLE ZONE MINI-SPLIT HEAT PUMP

**Job:** \_\_\_\_\_  
**Location:** \_\_\_\_\_  
**Schedule No.:** \_\_\_\_\_  
**System Designation:** \_\_\_\_\_

**Engineer:** \_\_\_\_\_  
**Architect:** \_\_\_\_\_  
**Date:** \_\_\_\_\_  
**For:**  Reference  Approval  Review  Construction

**FEATURES**

**MPB024S4S-1P**

- DC Inverter Control
- Base Pan Heater
- Low Ambient Cooling/Heating
- Defrost Control
- Crankcase Heater

**MMDA024S4-2P**

- Pre Heat Function
- Built-In Condensate Pump
- Flare Connections
- R-410A Refrigerant
- Auto Restart
- Three selectable fan speeds
- LED Display
- Wired Remote Included

**OUTDOOR SPECIFICATIONS**

**PERFORMANCE**

|                                       |             |
|---------------------------------------|-------------|
| Cooling Capacity (Btu/h) <sup>1</sup> | 24,000      |
| EER                                   | 12.5        |
| SEER                                  | 20          |
| Heating Capacity (Btu/h) <sup>1</sup> | 24,400      |
| HSPF                                  | 10.5        |
| Outdoor Fan Total Air Volume (CFM)    | 2235        |
| Ambient Temperature Operating Range   |             |
| Cooling                               | -13 - 122°F |
| Heating                               | -13 - 86°F  |

**ELECTRICAL DATA**

|                                    |              |
|------------------------------------|--------------|
| Power Supply (V/Hz/Φ)              | 208-230/60/1 |
| Minimum Circuit Ampacity (A)       | 18           |
| Maximum Overcurrent Protection (A) | 25           |
| Outdoor Fan Motor RLA (A)          | 0.6          |
| Compressor RLA (A)                 | 12           |
| No. of Compressors                 | 1            |

**GENERAL DATA**

|                                    |              |
|------------------------------------|--------------|
| Connection Ratio (%)               | 100%         |
| Max. # of Indoor Units             | 1 unit       |
| Sound Data (dBA) - Cooling/Heating | 61 / 61      |
| Refrigerant type                   | R-410A       |
| Factory refrigerant charge         | 5 lbs. 3 oz. |

**DIMENSIONS**

|                      |        |        |
|----------------------|--------|--------|
| Unit Dimensions (in) | Height | 31-7/8 |
|                      | Width  | 37-1/4 |
|                      | Depth  | 17-7/8 |
| Shipping Weight (lb) |        | 137    |
| Net Weight (lb)      |        | 149    |

**PRODUCT WARRANTY**

Compressor – Twelve year limited warranty.  
 All other covered components – Twelve year limited warranty.  
 Product registration required.

**OPTIONAL ACCESSORIES**

|   |    |
|---|----|
| Non-Programmable Controller (M0STAT61Q-1) | 1+ |
| Wireless Remote Controller (M0STAT60Q-1)  |    |
| Programmable Controller (M0STAT64Q-1)     |    |

**INDOOR SPECIFICATIONS**

**PERFORMANCE**

|                                     |        |          |
|-------------------------------------|--------|----------|
| Airflow (CFM)                       | High   | 820      |
|                                     | Medium | 620      |
|                                     | Low    | 520      |
| External Static Pressure (in. w.g.) |        | 0 - 0.40 |
| Sound Pressure (dBA)                | High   | 53       |
|                                     | Medium | 48       |
|                                     | Low    | 43       |

**ELECTRICAL DATA**

|                       |                 |
|-----------------------|-----------------|
| Power Supply (V/Hz/Φ) | Supplied by ODU |
| Rated load amps (RLA) | 2               |
| Power Output (W)      | 90              |

**DIMENSIONS**

|                                  |        |        |
|----------------------------------|--------|--------|
| Unit Dimensions (in)             | Height | 10-5/8 |
|                                  | Width  | 36-1/4 |
|                                  | Depth  | 22-1/2 |
| Liquid Pipe Connection (in)      |        | 3/8    |
| Gas Pipe Connection (in)         |        | 5/8    |
| Condensate drain connection (in) |        | 1      |
| Unit Shipping Weight (lb)        |        | 69     |
| Unit Net Weight (lb)             |        | 58     |

**NOTES**

- Cooling and Heating Capacity data is rated at the following conditions:  
 Cooling: 80°FDB / 67°FWB Indoor, 95°FWB / 75°FDB Outdoor  
 Heating: 70°FDB / 60°FWB Indoor, 47°FDB / 43°FWB Outdoor

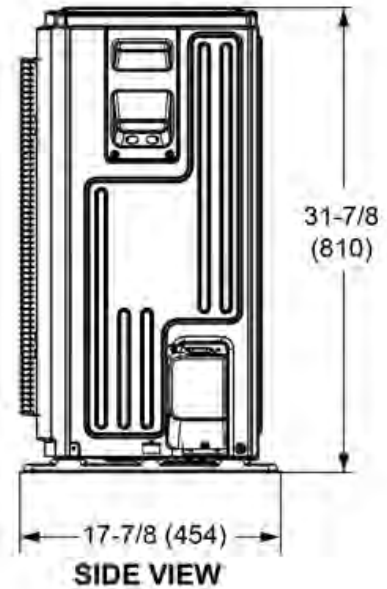
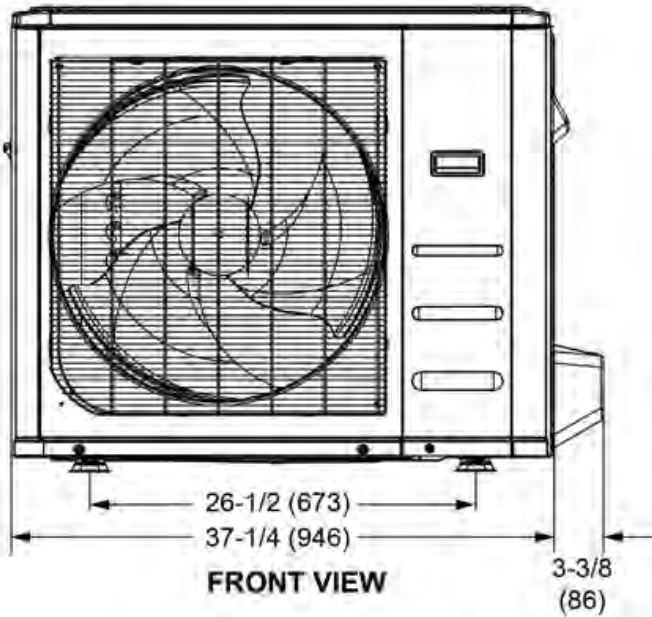
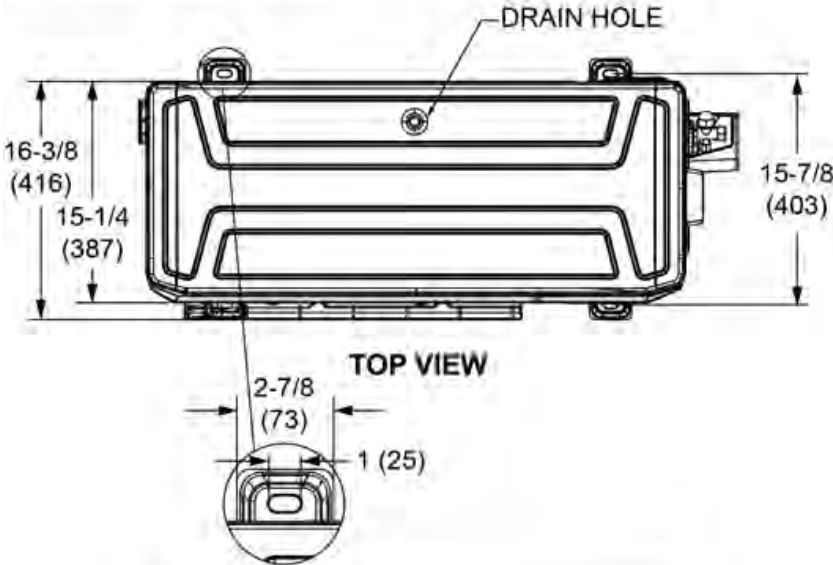


NOTE – Due to Lennox' ongoing commitment to quality, Specifications, Ratings, and Dimensions are subject to change without notice and without incurring liability. Improper installation, adjustment, alteration, service or maintenance can cause property damage or personal injury. Installation and service must be performed by a qualified installer and servicing agency.



**SUBMITTAL DATA - DUCTED**  
**MPB024S4S-1P - MMDA024S4-2P**  
SINGLE ZONE MINI-SPLIT HEAT PUMP

**OUTDOOR DIMENSIONAL DRAWINGS - INCHES (MM)**

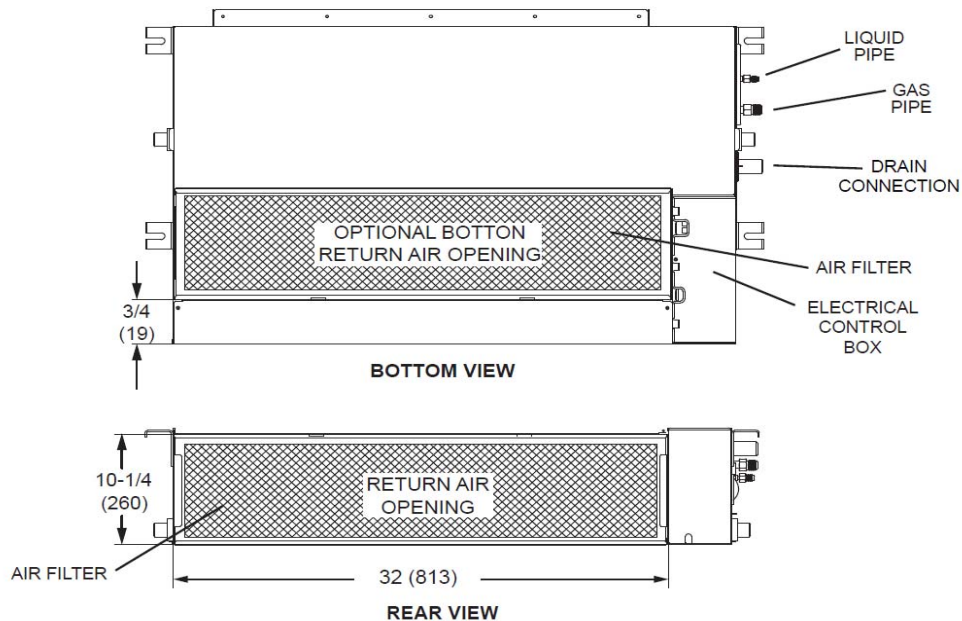
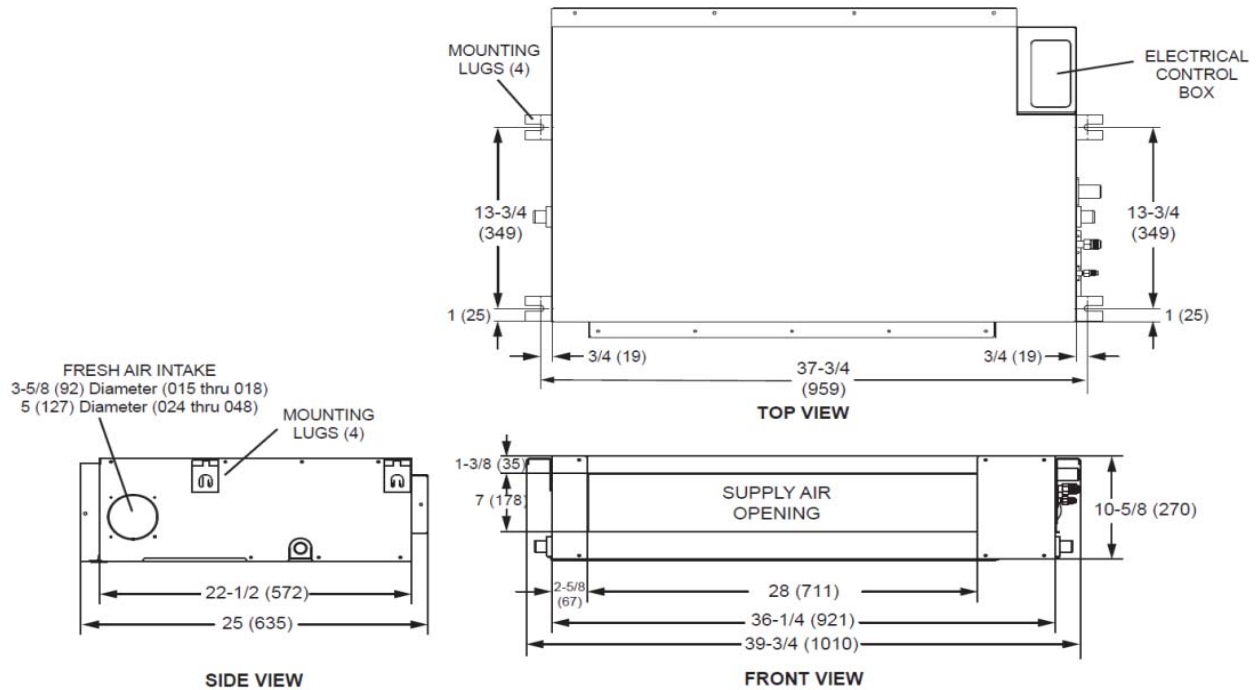


NOTE - Due to Lennox' ongoing commitment to quality, Specifications, Ratings, and Dimensions are subject to change without notice and without incurring liability. Improper installation, adjustment, alteration, service or maintenance can cause property damage or personal injury. Installation and service must be performed by a qualified installer and servicing agency.



**SUBMITTAL DATA – DUCTED**  
**MPB024S4S-1P – MMDA024S4-2P**  
 SINGLE ZONE MINI-SPLIT HEAT PUMP

**INDOOR DIMENSIONAL DRAWINGS - INCHES (MM)**



NOTE – Due to Lennox' ongoing commitment to quality, Specifications, Ratings, and Dimensions are subject to change without notice and without incurring liability. Improper installation, adjustment, alteration, service or maintenance can cause property damage or personal injury. Installation and service must be performed by a qualified installer and servicing agency.