



SUBMITTAL DATA – **DUCTED**  
**MPB024S4S-1P – MMDB024S4-2P**  
 SINGLE ZONE MINI-SPLIT HEAT PUMP

**Job:** \_\_\_\_\_  
**Location:** \_\_\_\_\_  
**Schedule No.:** \_\_\_\_\_  
**System Designation:** \_\_\_\_\_

**Engineer:** \_\_\_\_\_  
**Architect:** \_\_\_\_\_  
**Date:** \_\_\_\_\_  
**For:**  Reference  Approval  Review  Construction

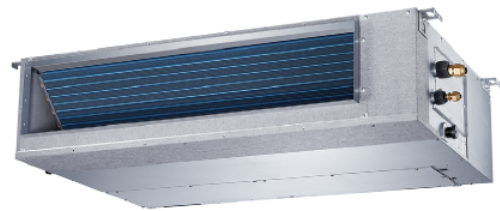
**FEATURES**

**Outdoor Unit: MPB024S4S-1P**



- DC Inverter Control
- Compressor Overcurrent Protection
- Base Dancer
- Defrost Control

**Indoor Unit: MMDB024S4-2P**



- Auxiliary Heat Function
- Auto Restart
- Built-In Condensate Pump
- Three Selectable Fan Speeds
- Flare Connections
- LED Readout Panel
- Wired Remote Controller Included

**PIPING**

**Line Set and Elevation Guidelines**

Maximum Line Set Length ft. (m)	164 ft. (50 m)
Maximum Elevation - Outdoor Unit Below/Above Indoor Unit ft. (m)	82 ft. (25m)
Liquid Line Set Diameter (in.)	3/8
Gas Line Set Diameter (in.)	5/8
Pre-Charged (ft.)	25
Additional Charge of Refrigerant (oz/ft.)	0.32

**PRODUCT WARRANTY**

Compressor – Twelve year limited warranty\*  
 All other covered components - Twelve year limited warranty\*  
 \*Product registration required

**OPTIONAL ACCESSORIES**

Hail Guards (M9GARD17Q-1)  
 Programmable Controller (M0STAT64Q-1)



NOTE – Due to Lennox' ongoing commitment to quality, Specifications, Ratings, and Dimensions are subject to change without notice and without incurring liability. Improper installation, adjustment, alteration, service or maintenance can cause property damage or personal injury. Installation and service must be performed by a qualified installer and servicing agency.



**SUBMITTAL DATA - DUCTED**  
**MPB024S4S-1P – MMDB024S4-2P**  
 SINGLE ZONE MINI-SPLIT HEAT PUMP

**OUTDOOR SPECIFICATIONS**

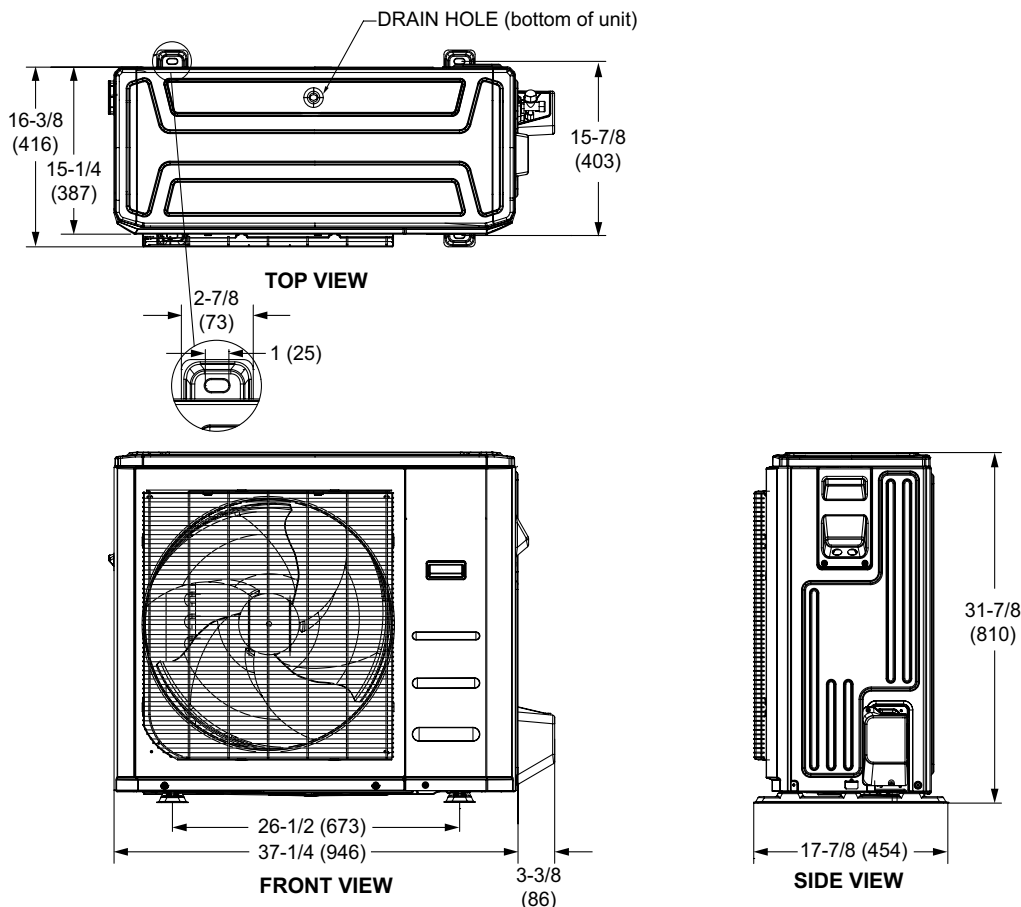
PERFORMANCE	
Cooling Capacity (Btu/h) <sup>1</sup>	24,000
EER	12.5
SEER	21.5
Heating Capacity (Btu/h) <sup>1</sup>	24,400
HSPF	11.0
Outdoor Fan Total Air Volume (CFM)	2,235
Ambient Temperature Operating Range	
Cooling	-13°F - 122°F
Heating	-13°F - 86°F
ELECTRICAL DATA	
Power Supply (V/Hz/Φ)	208-230/60/1
Minimum Circuit Ampacity (A)	18
Maximum Overcurrent Protection (A)	25
Outdoor Fan Motor RLA (A)	0.6
Compressor RLA (A)	12
No. of Compressors	1

GENERAL DATA		
Connection Ratio (%)	100%	
Max. # of Indoor Units	1 unit	
Sound Data (dBA) - Cooling/Heating	61/61	
Refrigerant type	R-410A	
Factory refrigerant charge	5 lbs. 3 oz.	
DIMENSIONS		
Unit Dimensions (in)	Height	31-7/8
	Width	37-1/4
	Depth	15-7/8
Shipping Weight (lb)	149	
Net Weight (lb)	137	

**NOTES**

1. Cooling and Heating Capacity data is rated at the following conditions:  
 Cooling: 80°FDB / 67°FWB Indoor, 95°FDB Outdoor  
 Heating: 70°FDB Indoor, 47°FDB / 43°FWB Outdoor

**OUTDOOR DIMENSIONAL DRAWINGS - INCHES (MM)**



NOTE – Due to Lennox' ongoing commitment to quality, Specifications, Ratings, and Dimensions are subject to change without notice and without incurring liability. Improper installation, adjustment, alteration, service or maintenance can cause property damage or personal injury. Installation and service must be performed by a qualified installer and servicing agency.



# SUBMITTAL DATA - **DUCTED**

## MPB024S4S-1P – MMDB024S4-2P

### SINGLE ZONE MINI-SPLIT HEAT PUMP

#### INDOOR SPECIFICATIONS

##### PERFORMANCE

Airflow (CFM)	High	735
	Medium	660
	Low	415
External Static Pressure (in. w.g.)		0 - 0.64
Sound Pressure (dBA)	High	44
	Medium	41
	Low	36

##### ELECTRICAL DATA

Power Supply (V/Hz/Φ)	Supplied by ODU
Rated load amps (RLA)	1.5
Power Output (W)	160

##### DIMENSIONS

Unit Dimensions (in)	Height	9-3/4
	Width	46-1/2
	Depth	30-1/2
Unit Net/Shipping Weight (lb)		87/103

##### PIPING

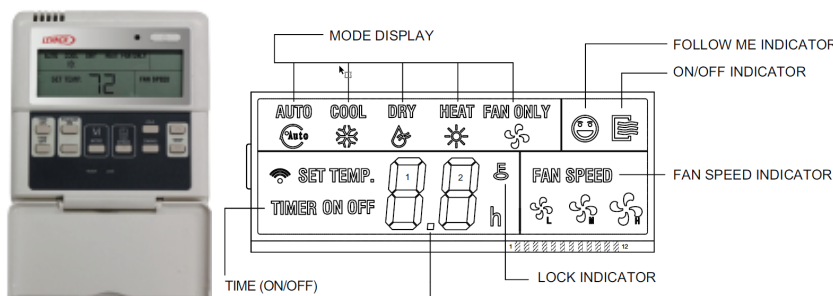
Liquid/Gas O.D. Flare (in.)	3/8 , 5/8
Drain Connection O.D. (in.)	1

#### WIRED REMOTE CONTROLLER SPECIFICATIONS

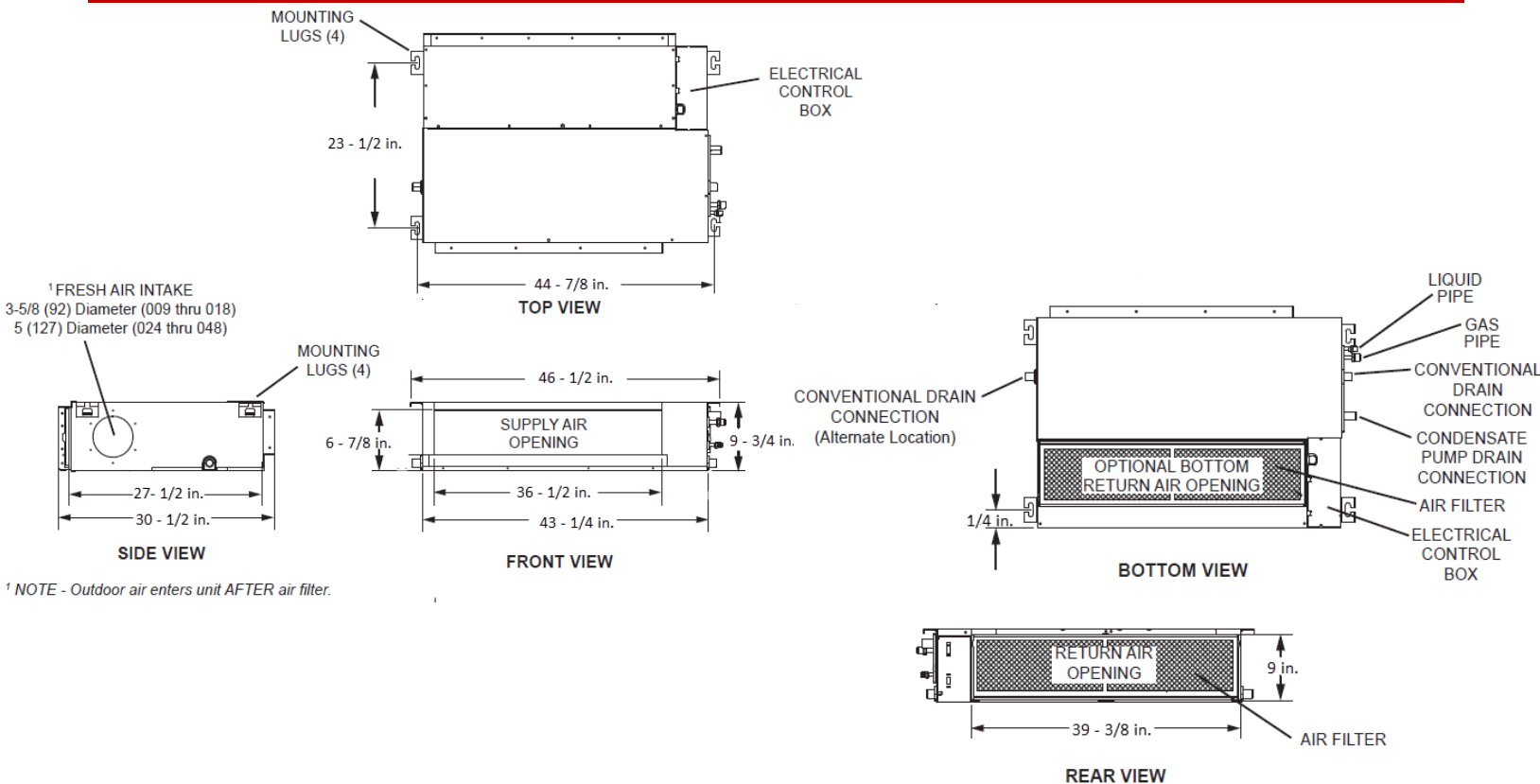
##### M0STAT61Q-1

Input Voltage (V)	5Vdc
Communication Cabling	Factory 4-wire harness
Operating Temperature Range	23°F to 110°F
Operating Humidity Range (RH)	40% ~ 90%
Setpoint Range	62°F ~ 86°F

#### DISPLAY



#### INDOOR DIMENSIONAL DRAWINGS - INCHES (MM)



<sup>1</sup> NOTE - Outdoor air enters unit AFTER air filter.

NOTE – Due to Lennox' ongoing commitment to quality, Specifications, Ratings, and Dimensions are subject to change without notice and without incurring liability. Improper installation, adjustment, alteration, service or maintenance can cause property damage or personal injury. Installation and service must be performed by a qualified installer and servicing agency.

495620 (202004)

©2020 Lennox Industries, Inc.