



SUBMITTAL DATA – OUTDOOR
UNIT **MPB030S4M-2P**
MULTI-ZONE MINI-SPLIT HEAT PUMP

Job: _____
Location: _____
Schedule No.: _____
System Designation: _____

Engineer: _____
Architect: _____
Date: _____
For: Reference Approval Review Construction

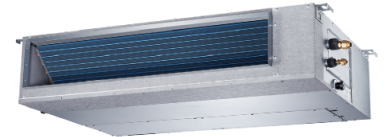
FEATURES

Outdoor Unit: MPB030S4M-2P

Indoor Unit Options: Ducted OR Non-Ducted



- Defrost Control
- DC Inverter Control
- Base Pan Heater
- Crankcase Heater



Piping

Line Set and Elevation Guidelines

| | |
|--|----------------|
| Maximum Number of Indoor Units/Zones | 3 |
| Liquid Line Set Diameter (in.) | (3) 1/4 |
| Gas Line Set Diameter (in.) | (3) 3/8 |
| Maximum Pipe Length ft. (m) | 197 ft. (60 m) |
| Maximum Line Set Length - Furthest Indoor Unit | 98 ft. (30 m) |
| Maximum Elevation - Outdoor Unit Below/Above Indoor Unit ft. (m) | 49 ft. (15m) |
| Pre-Charged (ft.) | 25 ft. |
| Additional Charge of Refrigerant (oz/ft.) | 0.16 |

PRODUCT WARRANTY

Compressor – Twelve year limited warranty*
All other covered components - Twelve year limited warranty*
*Product registration required

OPTIONAL ACCESSORIES

Hail Guards (M9GARD17Q-1)
Mini-Split IDU Controls Wiring Harness (19P86)*
*Required for BACnet & Lennox VRF Manager (LVM)



NOTE – Due to Lennox' ongoing commitment to quality, Specifications, Ratings, and Dimensions are subject to change without notice and without incurring liability. Improper installation, adjustment, alteration, service or maintenance can cause property damage or personal injury. Installation and service must be performed by a qualified installer and servicing agency.



SUBMITTAL DATA – OUTDOOR UNIT **MPB030S4M-2P** MULTI-ZONE MINI-SPLIT HEAT PUMP

OUTDOOR SPECIFICATIONS

PERFORMANCE

| | | |
|---------------------------------------|------------|-------------|
| Cooling Capacity (Btu/h) ¹ | Ducted | 28,000 |
| | Non-Ducted | 28,000 |
| EER | Ducted | 11.00 |
| | Non-Ducted | 12.5 |
| SEER | Ducted | 21.00 |
| | Non-Ducted | 23.0 |
| Heating Capacity (Btu/h) ¹ | Ducted | 28,000 |
| | Non-Ducted | 28,000 |
| HSPF | Ducted | 10.0 |
| | Non-Ducted | 10.3 |
| Outdoor Fan Total Air Volume (CFM) | | 2130 |
| Ambient Temperature Operating Range | | |
| Cooling | | -13 - 122°F |
| Heating | | -13 - 86°F |

ELECTRICAL DATA

| | |
|------------------------------------|--------------|
| Power Supply (V/Hz/Φ) | 208-230/60/1 |
| Minimum Circuit Ampacity (A) | 25.0 |
| Maximum Overcurrent Protection (A) | 35.0 |
| Outdoor Fan Motor RLA (A) | 0.90 |
| Compressor RLA (A) | 20 |
| No. of Compressors | 1 |

GENERAL DATA

| | |
|------------------------------------|---------------|
| Connection Ratio (%) | 66% to 133% |
| Max. # of Indoor Units | Up to 3 units |
| Sound Data (dBA) - Cooling/Heating | 63/63 |
| Refrigerant type | R-410A |
| Factory refrigerant charge | 6 lbs. 3 oz. |

DIMENSIONS

| | | |
|----------------------|--------|--------|
| Unit Dimensions (in) | Height | 31-7/8 |
| | Width | 37-1/4 |
| | Depth | 15-7/8 |
| Shipping Weight (lb) | | 161 |
| Net Weight (lb) | | 150 |

NOTES

- Cooling and Heating Capacity data is rated at the following conditions:
Cooling: 80°FDB / 67°FWB Indoor, 95°FDB Outdoor
Heating: 70°FDB Indoor, 47°FDB / 43°FWB Outdoor

Multi-Zone System Combinations

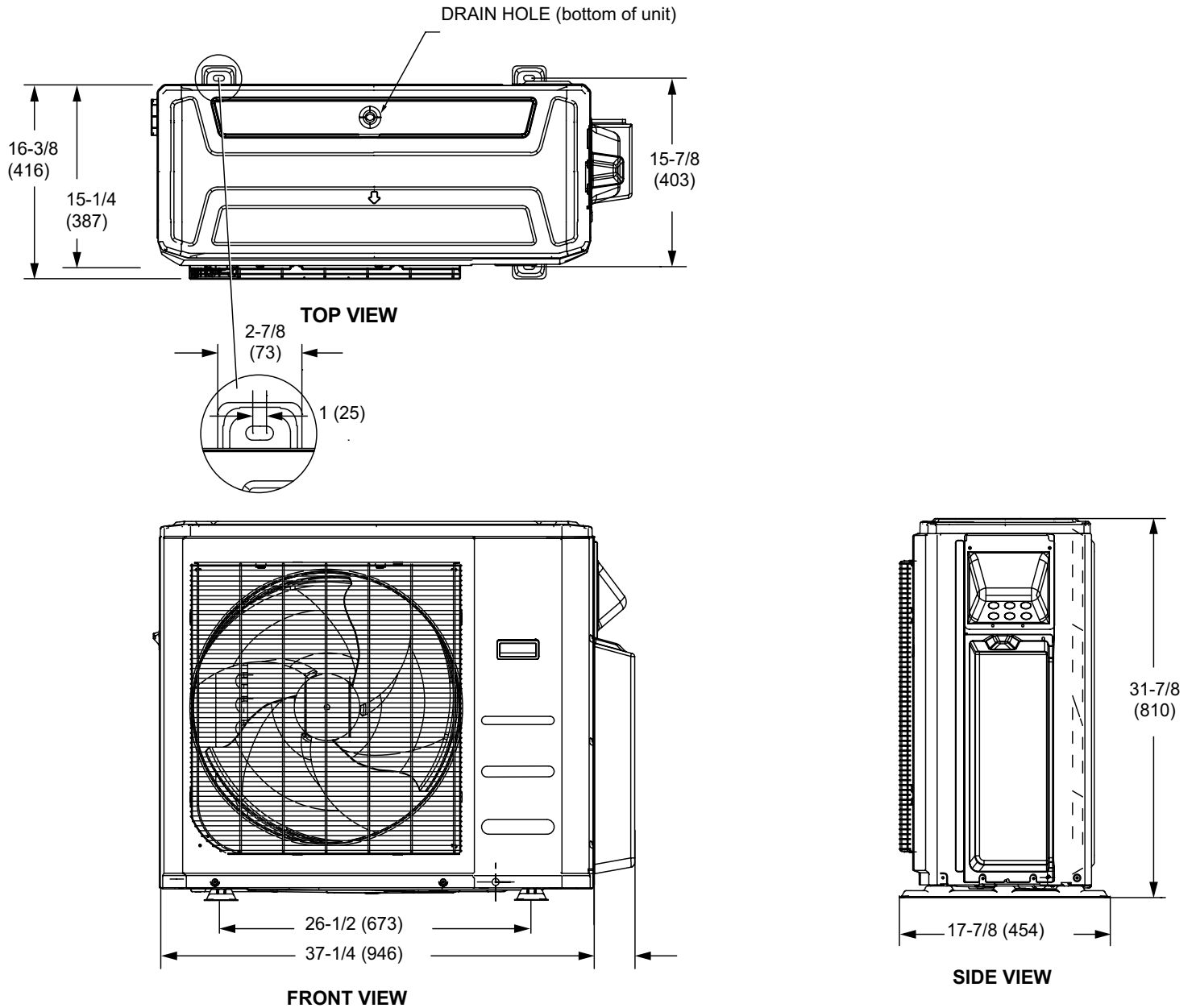
| Outdoor Unit Model No. | Number of Zones | Indoor Unit Capacity | | | | | Nominal Cooling Capacity at Rated System Capacity (Btuh) | | | | | Nominal Heating Capacity at Rated System Capacity (Btuh) | | | | |
|------------------------|-----------------|----------------------|-----|-----|-----|-----|--|--------|--------|-----|-----|--|--------|--------|-----|-----|
| | | #1 | #2 | #3 | #4 | #5 | #1 | #2 | #3 | #4 | #5 | #1 | #2 | #3 | #4 | #5 |
| MPB018S4M | 1 ¹ | 018 | --- | --- | --- | --- | 16,600 | --- | --- | --- | --- | 18,000 | --- | --- | --- | --- |
| | 2 | 009 | 009 | --- | --- | --- | 9,500 | 9,500 | --- | --- | --- | 10,000 | 10,000 | --- | --- | --- |
| | | 009 | 012 | --- | --- | --- | 9,500 | 12,000 | --- | --- | --- | 10,000 | 13,000 | --- | --- | --- |
| | | 009 | 018 | --- | --- | --- | 8,400 | 16,600 | --- | --- | --- | 9,000 | 18,000 | --- | --- | --- |
| | | 012 | 012 | --- | --- | --- | 12,000 | 12,000 | --- | --- | --- | 13,000 | 13,000 | --- | --- | --- |
| | | 012 | 018 | --- | --- | --- | 10,000 | 15,000 | --- | --- | --- | 11,200 | 16,800 | --- | --- | --- |
| | 3 | 009 | 009 | 009 | --- | --- | 9,000 | 9,000 | 9,000 | --- | --- | 9,500 | 9,500 | 9,500 | --- | --- |
| | | 009 | 009 | 012 | --- | --- | 8,667 | 8,667 | 11,667 | --- | --- | 9,500 | 9,500 | 12,000 | --- | --- |
| | | 009 | 012 | 012 | --- | --- | 8,500 | 10,500 | 10,500 | --- | --- | 8,500 | 11,000 | 11,000 | --- | --- |
| | | 009 | 009 | 018 | --- | --- | 8,300 | 8,300 | 13,500 | --- | --- | 8,500 | 8,500 | 14,500 | --- | --- |
| | | 012 | 012 | 012 | --- | --- | 10,000 | 10,000 | 10,000 | --- | --- | 10,667 | 10,667 | 10,667 | --- | --- |

¹ One outdoor unit may be matched with one indoor unit for single zone applications. A second indoor unit can be added at a later date for multi-zone applications.



SUBMITTAL DATA – OUTDOOR
UNIT **MPB030S4M-2P**
MULTI-ZONE MINI-SPLIT HEAT PUMP

OUTDOOR DIMENSIONAL DRAWINGS - INCHES (MM)



NOTE – Due to Lennox' ongoing commitment to quality, Specifications, Ratings, and Dimensions are subject to change without notice and without incurring liability. Improper installation, adjustment, alteration, service or maintenance can cause property damage or personal injury. Installation and service must be performed by a qualified installer and servicing agency.