



SUBMITTAL DATA - **WALL-MOUNTED** **MPB030S4S-1P - MWMB030S4-1P** **SINGLE-ZONE MINI-SPLIT HEAT PUMP**

Job: _____
Location: _____
Schedule No.: _____
System Designation: _____

Engineer: _____
Architect: _____
Date: _____
For: Reference Approval Review Construction

FEATURES

MPB030S4S-1P

- DC Inverter Control
- Compressor Overcurrent Protection
- Defrost Control

MWMB030S4-1P

- Pre Heat Function
- Multi-Refrigerant Outlet
- Flare Connections
- Refrigerant R-410A
- Auto Restart
- Cooling Override
- LED Display
- Wireless Remote Controller included

Product Warranty

Compressor – Twelve year limited warranty.
All other covered components – Twelve year limited warranty.
Product registration required.

OUTDOOR SPECIFICATIONS

PERFORMANCE		
Cooling Capacity (Btu/h) ¹	30,000	
EER	11.5	
SEER	19.8	
Heating Capacity (Btu/h) ¹	30,000	
HSPF	9.4	
Outdoor Fan Total Air Volume (cfm)	2130	
Ambient Temperature Operating Range		
Cooling	5°F to 122°F	
Heating	5°F to 86°F	
ELECTRICAL DATA		
Power Supply (V/Hz/Ph)	208-230/60/1	
Minimum Circuit Ampacity (A)	20	
Maximum Overcurrent Protection (A)	30	
Outdoor Fan Motor RLA (A)	0.6	
Compressor RLA (A)	15.0	
No. of Compressors	1	
GENERAL DATA		
Connection Ratio (%)	100%	
Max. # of Indoor Units	1 unit	
Sound Data (dBA) - Cooling/Heating	59 / 59	
Refrigerant type	R-410A	
Factory refrigerant charge	5 lbs. 11 oz.	
DIMENSIONS		
Unit Dimensions (in)	Height	31-7/8
	Width	37-1/4
	Depth	15-7/8
Shipping Weight (lb)	161	
Net Weight (lb)	149	

OPTIONAL ACCESSORIES

Non-Programmable Controller (M0STAT61Q-1):	
Wireless Remote Controller (M0STAT60Q-1):	1+
Programmable Controller (M0STAT64Q-1):	

INDOOR SPECIFICATIONS

PERFORMANCE		
Airflow (CFM)	High	795
	Medium	645
	Low	500
External Static Pressure (in. w.g.)	-	
Sound Pressure (dBA)	High	49.0
	Medium	42.0
	Low	37.5
ELECTRICAL DATA		
Power Supply (V/Hz/Φ)	Supplied by ODU	
Rated load amps (RLA)	0.5	
Power Output (W)	60	
DIMENSIONS		
Unit Dimensions (in)	Height	13-1/2
	Width	46-3/4
	Depth	10-1/4
Liquid Pipe Connection (in)	3/8	
Gas Pipe Connection (in)	5/8	
Condensate drain connection (in)	1	
Unit Shipping Weight (lb)	51	
Unit Net Weight (lb)	40	

NOTES

- Cooling and Heating Capacity data is rated at the following conditions:
Cooling: 80°FDB / 67°FWB Indoor, 95°FWB / 75°FDB Outdoor
Heating: 70°FDB / 60°FWB Indoor, 47°FDB / 43°FWB Outdoor

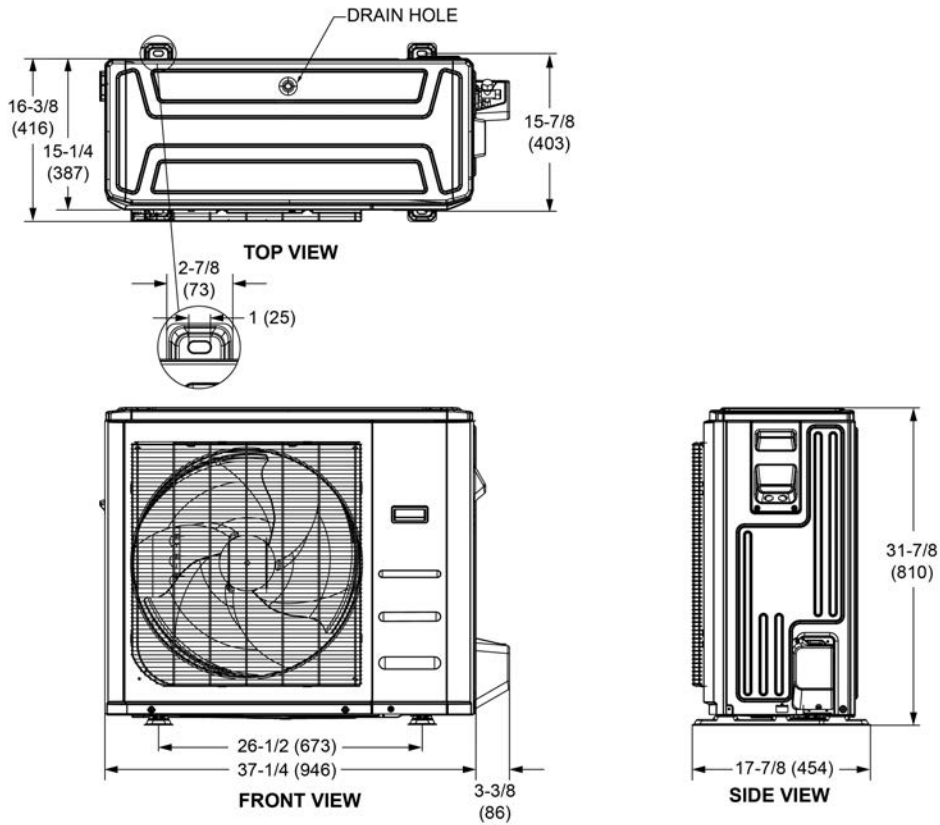


NOTE – Due to Lennox' ongoing commitment to quality, Specifications, Ratings and Dimensions subject to change without notice and without incurring liability. Improper installation, adjustment, alteration, service or maintenance can cause property damage or personal injury. Installation and service must be performed by a qualified installer and servicing agency.

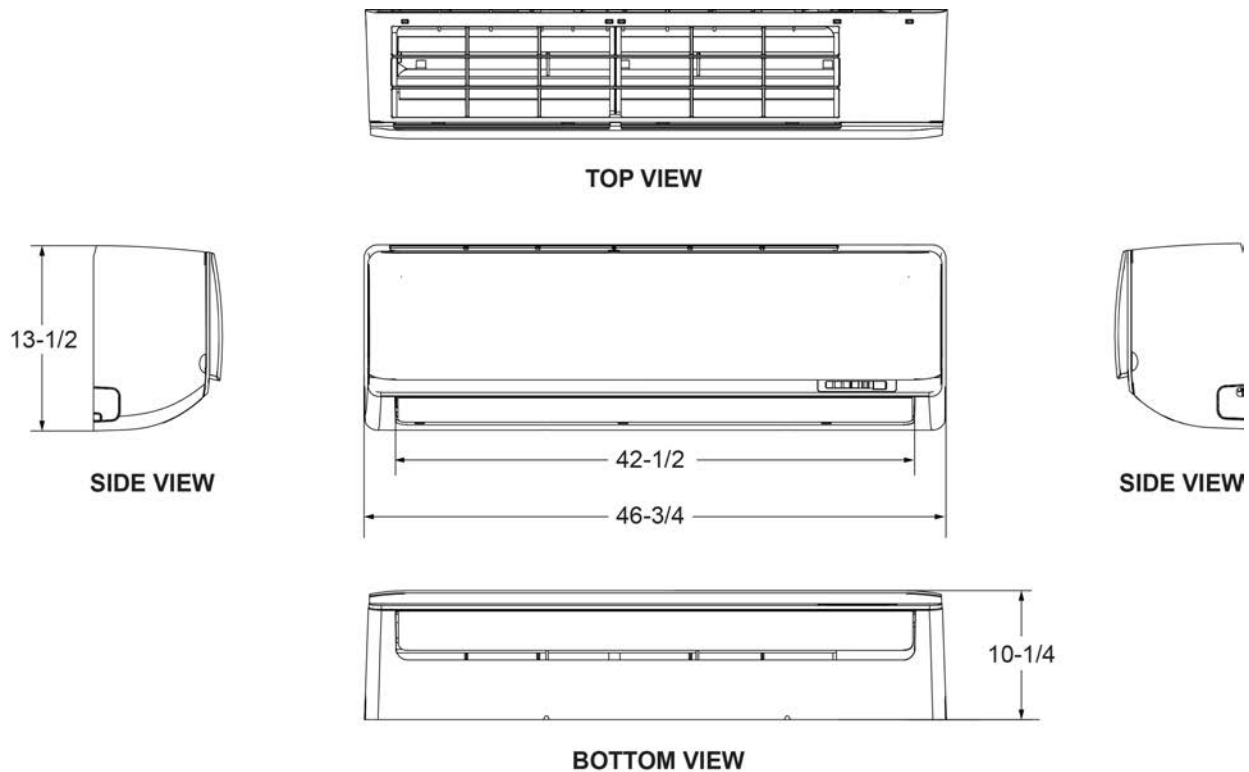


**SUBMITTAL DATA - WALL-MOUNTED
MPB030S4S-1P - MWMB030S4-1P
SINGLE-ZONE MINI-SPLIT HEAT PUMP**

OUTDOOR DIMENSIONAL DRAWINGS - INCHES (MM)



INDOOR DIMENSIONAL DRAWINGS - INCHES (MM)



NOTE – Due to Lennox' ongoing commitment to quality, Specifications, Ratings and Dimensions subject to change without notice and without incurring liability. Improper installation, adjustment, alteration, service or maintenance can cause property damage or personal injury. Installation and service must be performed by a qualified installer and servicing agency.