



SUBMITTAL DATA – OUTDOOR
UNIT **MPB036S4M-1P**
MULTI-ZONE MINI-SPLIT HEAT PUMP

Job: _____
Location: _____
Schedule No.: _____
System Designation: _____

Engineer: _____
Architect: _____
Date: _____
For: Reference Approval Review Construction

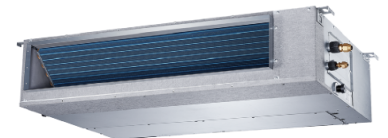
FEATURES

Outdoor Unit: MPB036S4M-1P

Indoor Unit Options: Ducted OR Non-Ducted



- Defrost Control
- DC Inverter Control
- Base Pan Heater
- Crankcase Heater



Piping

Line Set and Elevation Guidelines

Maximum Number of Indoor Units/Zones	4
Liquid + Gas + Gas pipe (in.) flare	(4) 1/4 + (3) 3/8 + (1) 1/2
Maximum Pipe Length ft. (m)	262 ft. (80 m)
Maximum Line Set Length - Furthest Indoor Unit	115 ft. (35 m)
Maximum Elevation - Outdoor Unit Below/Above Indoor Unit ft. (m)	49 ft. (15m)
Pre-Charged (ft.)	25 ft.
Additional Charge of Refrigerant (oz/ft.)	0.16

PRODUCT WARRANTY

Compressor – Twelve year limited warranty*
All other covered components - Twelve year limited warranty*
*Product registration required

OPTIONAL ACCESSORIES

Hail Guards (M9GARD17Q-1)
Mini-Split IDU Controls Wiring Harness (19P86)*
*Required for BACnet & Lennox VRF Manager (LVM)



NOTE – Due to Lennox' ongoing commitment to quality, Specifications, Ratings, and Dimensions are subject to change without notice and without incurring liability. Improper installation, adjustment, alteration, service or maintenance can cause property damage or personal injury. Installation and service must be performed by a qualified installer and servicing agency.



**SUBMITTAL DATA – OUTDOOR
UNIT MPB036S4M-1P
MULTI-ZONE MINI-SPLIT HEAT PUMP**

OUTDOOR SPECIFICATIONS

PERFORMANCE

Cooling Capacity (Btu/h) ¹	Ducted	36,000
	Non-Ducted	36,000
EER	Ducted	10.0
	Non-Ducted	11.5
SEER	Ducted	21.0
	Non-Ducted	22.5
Heating Capacity (Btu/h) ¹	Ducted	37,000
	Non-Ducted	36,000
HSPF	Ducted	10.0
	Non-Ducted	10.2
Outdoor Fan Total Air Volume (CFM)		2130
Ambient Temperature Operating Range		
Cooling		-22 - 122°F
Heating		-22 - 86°F

ELECTRICAL DATA

Power Supply (V/Hz/φ)	208-230/60/1
Minimum Circuit Ampacity (A)	30.0
Maximum Overcurrent Protection (A)	45.0
Outdoor Fan Motor RLA (A)	1.3
Compressor RLA (A)	19
No. of Compressors	1

GENERAL DATA

Connection Ratio (%)	66% to 133%
Max. # of Indoor Units	Up to 4 units
Sound Data (dBA) - Cooling/Heating	62/62
Refrigerant type	R-410A
Factory refrigerant charge	6 lbs. 10 oz.

DIMENSIONS

Unit Dimensions (in)	Height	31-7/8
	Width	37-1/4
	Depth	15-7/8
Shipping Weight (lb)		168
Net Weight (lb)		157

NOTES

- Cooling and Heating Capacity data is rated at the following conditions:
Cooling: 80°FDB / 67°FWB Indoor, 95°FDB Outdoor
Heating: 70°FDB Indoor, 47°FDB / 43°FWB Outdoor

NOTE – Due to Lennox' ongoing commitment to quality, Specifications, Ratings, and Dimensions are subject to change without notice and without incurring liability. Improper installation, adjustment, alteration, service or maintenance can cause property damage or personal injury. Installation and service must be performed by a qualified installer and servicing agency.



SUBMITTAL DATA – OUTDOOR
UNIT **MPB036S4M-1P**
MULTI-ZONE MINI-SPLIT HEAT PUMP

Multi-Zone System Combinations

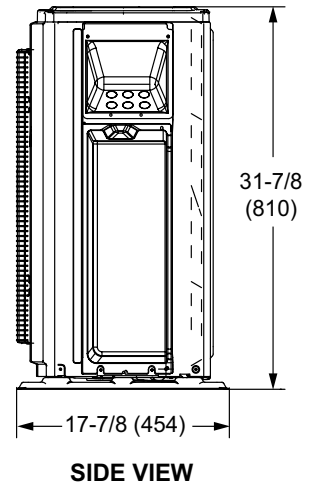
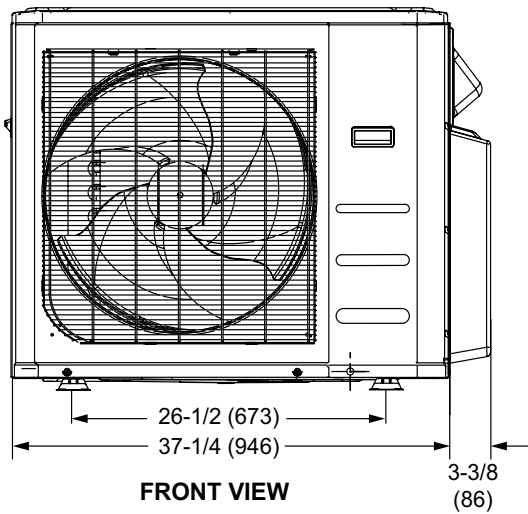
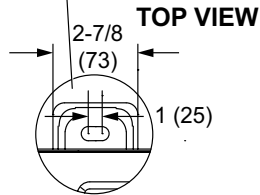
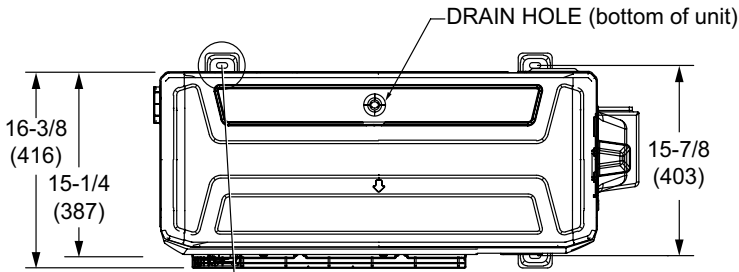
Outdoor Unit Model No.	Number of Zones	Indoor Unit Capacity				Nominal Cooling Capacity at Rated System Capacity (Btuh)				Nominal Heating Capacity at Rated System Capacity (Btuh)			
		#1	#2	#3	#4	#1	#2	#3	#4	#1	#2	#3	#4
MPB036S4M	2	009	009	---	---	10,000	10,000	---	---	10,500	10,500	---	---
		009	012	---	---	9,500	12,000	---	---	10,000	13,000	---	---
		009	018	---	---	9,500	17,500	---	---	10,000	18,000	---	---
		009	024	---	---	9,000	24,000	---	---	10,000	25,000	---	---
		012	012	---	---	12,000	12,000	---	---	13,000	13,000	---	---
		012	018	---	---	12,000	18,000	---	---	13,000	18,000	---	---
		012	024	---	---	11,000	23,000	---	---	12,000	24,000	---	---
		018	018	---	---	16,500	16,500	---	---	17,000	17,000	---	---
	3	009	009	009	---	9,333	9,333	9,333	---	9,667	9,667	9,667	---
		009	009	012	---	9,000	9,000	12,000	---	9,500	9,500	12,500	---
		009	009	018	---	8,000	8,000	16,000	---	8,500	8,500	17,000	---
		009	012	012	---	8,500	11,500	11,500	---	9,000	12,000	12,000	---
		009	012	018	---	8,000	11,000	15,000	---	8,500	11,500	16,000	---
		009	018	018	---	8,000	14,000	14,000	---	8,500	14,500	14,500	---
		012	012	012	---	11,333	11,333	11,333	---	12,000	12,000	12,000	---
		012	012	018	---	11,000	11,000	14,000	---	12,000	12,000	15,000	---
		012	018	018	---	9,333	13,333	13,333	---	10,000	14,500	14,500	---
		012	012	024	---	8,000	8,000	20,000	---	9,000	9,000	21,000	---
	4	009	009	009	009	9,000	9,000	9,000	9,000	9,500	9,500	9,500	9,500
		009	009	009	012	8,500	8,500	8,500	11,500	9,000	9,000	9,000	12,000
		009	009	009	018	8,000	8,000	8,000	14,000	8,500	8,500	8,500	14,000
		009	009	012	012	8,000	8,000	10,500	10,500	8,500	8,500	11,000	11,000
		009	009	012	018	7,500	7,500	9,000	14,000	8,000	8,000	9,500	14,500
		009	012	012	012	7,000	10,000	10,000	10,000	8,000	10,500	10,500	10,500
		012	012	012	012	9,500	9,500	9,500	9,500	10,000	10,000	10,000	10,000

¹ One outdoor unit may be matched with one indoor unit for single zone applications. A second indoor unit can be added at a later date for multi-zone applications.



SUBMITTAL DATA - OUTDOOR
UNIT **MPB036S4M-1P**
MULTI-ZONE MINI-SPLIT HEAT PUMP

OUTDOOR DIMENSIONAL DRAWINGS - INCHES (MM)



NOTE - Due to Lennox' ongoing commitment to quality, Specifications, Ratings, and Dimensions are subject to change without notice and without incurring liability. Improper installation, adjustment, alteration, service or maintenance can cause property damage or personal injury. Installation and service must be performed by a qualified installer and servicing agency.