



SUBMITTAL DATA – CEILING/FLOOR
MPB036S4S-1P - MCFA036S4-1P
 SINGLE ZONE MINI-SPLIT HEAT PUMP

Job: _____
Location: _____
Schedule No.: _____
System Designation: _____

Engineer: _____
Architect: _____
Date: _____
For: Reference Approval Review Construction

FEATURES

MPB036S4S-1P

- DC Inverter Control
- Base Pan Heater
- Low Ambient Cooling/Heating
- Defrost Control
- Crankcase Heater

MCFA036S4-1P

- Pre Heat Function
- Cooling Override
- Flare Connections
- R-410A Refrigerant
- Auto Restart
- Three Speed Fan
- LED Display
- Wireless Remote Included

OUTDOOR SPECIFICATIONS

PERFORMANCE	
Cooling Capacity (Btu/h) ¹	36,000
EER	8
SEER	16
Heating Capacity (Btu/h) ¹	38,000
HSPF	10.0
Outdoor Fan Total Air Volume (CFM)	2530
Ambient Temperature Operating Range	
Cooling	5 - 122°F
Heating	5 - 86°F

ELECTRICAL DATA

Power Supply (V/Hz/Φ)	208-230/60/1
Minimum Circuit Ampacity (A)	30
Maximum Overcurrent Protection (A)	50
Outdoor Fan Motor RLA (A)	1.0
Compressor RLA (A)	22
No. of Compressors	1

GENERAL DATA

Connection Ratio (%)	100%
Max. # of Indoor Units	1 unit
Sound Data (dBA) - Cooling/Heating	66 / 66
Refrigerant type	R-410A
Factory refrigerant charge	6 lbs. 12 oz.

DIMENSIONS

Unit Dimensions (in)	Height	31-7/8
	Width	37-1/4
	Depth	15-7/8
Shipping Weight (lb)		161
Net Weight (lb)		149

PRODUCT WARRANTY

Compressor – Twelve year limited warranty.
 All other covered components – Twelve year limited warranty.
 Product registration required.

OPTIONAL ACCESSORIES

Non-Programmable Controller (M0STAT61Q-1)	
Wireless Remote Controller (M0STAT60Q-1)	1+
Programmable Controller (M0STAT64Q-1)	

INDOOR SPECIFICATIONS

PERFORMANCE		
Airflow (CFM)	High	1035
	Medium	915
	Low	640
External Static Pressure (in. w.g.)		-
Sound Pressure (dBA)	High	54
	Medium	49
	Low	43

ELECTRICAL DATA

Power Supply (V/Hz/Φ)	Supplied by ODU
Rated load amps (RLA)	1.5
Power Output (W)	115

DIMENSIONS

Unit Dimensions (in)	Height	26-5/8
	Width	50-5/8
	Depth	9-1/4
Liquid Pipe Connection (in)		3/8
Gas Pipe Connection (in)		5/8
Condensate drain connection (in)		1
Unit Shipping Weight (lb)		82
Unit Net Weight (lb)		69

NOTES

- Cooling and Heating Capacity data is rated at the following conditions:
 Cooling: 80°FDB / 67°FWB Indoor, 95°FWB / 75°FDB Outdoor
 Heating: 70°FDB / 60°FWB Indoor, 47°FDB / 43°FWB Outdoor

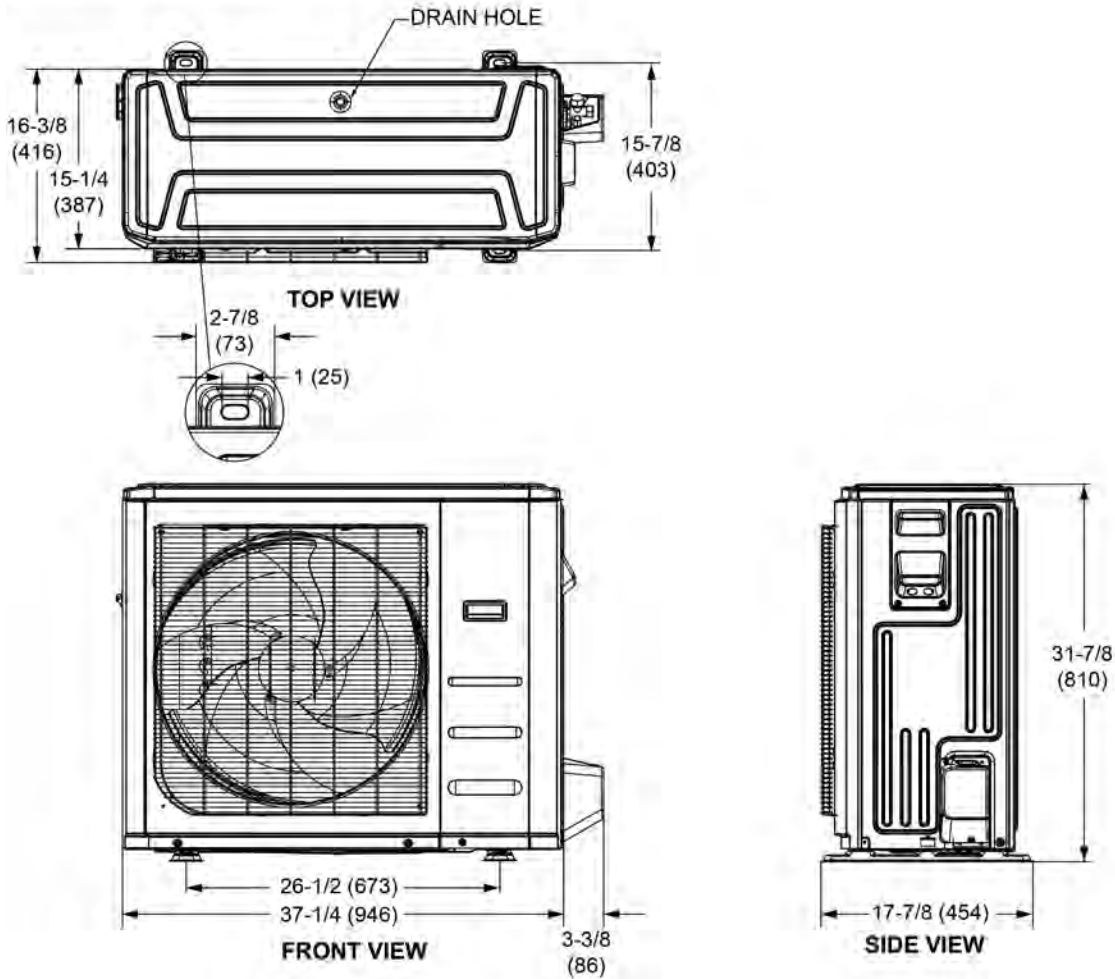


NOTE – Due to Lennox' ongoing commitment to quality, Specifications, Ratings, and Dimensions are subject to change without notice and without incurring liability. Improper installation, adjustment, alteration, service or maintenance can cause property damage or personal injury. Installation and service must be performed by a qualified installer and servicing agency.

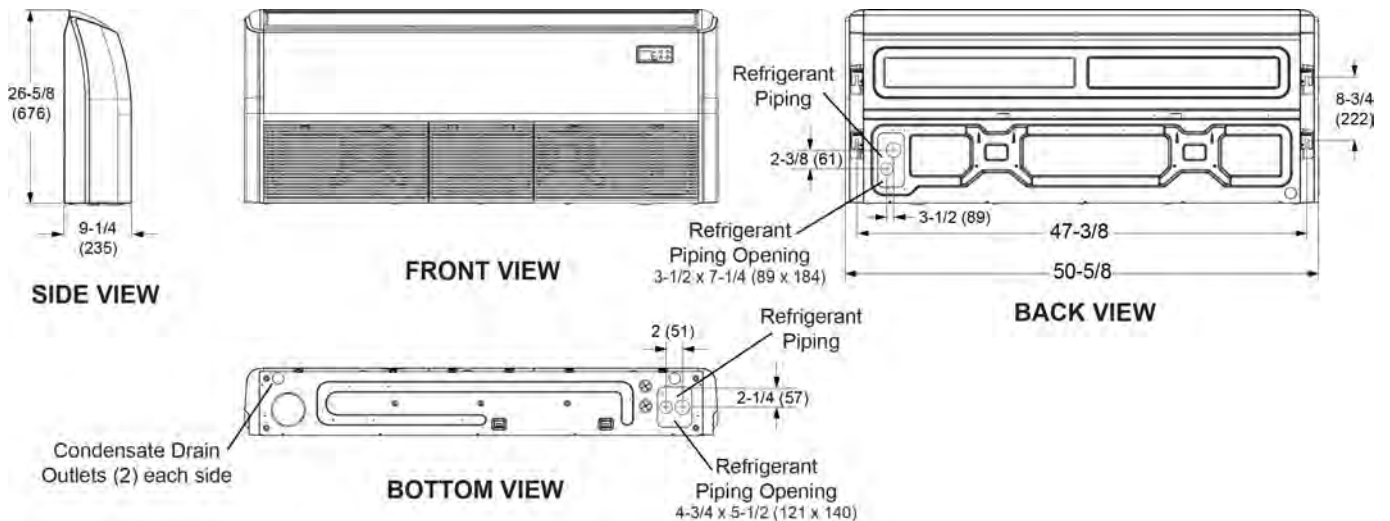


SUBMITTAL DATA – CEILING/FLOOR
MPB036S4S-1P - MCFA036S4-1P
 SINGLE ZONE MINI-SPLIT HEAT PUMP

OUTDOOR DIMENSIONAL DRAWINGS - INCHES (MM)



INDOOR DIMENSIONAL DRAWINGS - INCHES (MM)



NOTE – Due to Lennox' ongoing commitment to quality, Specifications, Ratings, and Dimensions are subject to change without notice and without incurring liability. Improper installation, adjustment, alteration, service or maintenance can cause property damage or personal injury. Installation and service must be performed by a qualified installer and servicing agency.