



SUBMITTAL DATA – DUCTED
MPB048S4S-1P – MMDA048S4-1P
 SINGLE ZONE MINI-SPLIT HEAT PUMP

Job: _____
Location: _____
Schedule No.: _____
System Designation: _____

Engineer: _____
Architect: _____
Date: _____
For: Reference Approval Review Construction

FEATURES

MPB048S4S-1P

- DC Inverter Control
- Base Pan Heater
- Low Ambient Cooling/Heating
- Defrost Control
- Crankcase Heater

MMDA048S4-1P

- Pre Heat Function
- Built-In Condensate Pump
- Flare Connections
- R-410A Refrigerant
- Auto Restart
- Three selectable fan speeds
- LED Display
- Wired Remote Included

OUTDOOR SPECIFICATIONS

PERFORMANCE

Cooling Capacity (Btu/h) ¹	48,000
EER	8.9
SEER	17.4
Heating Capacity (Btu/h) ¹	49,500
HSPF	10.3
Outdoor Fan Total Air Volume (CFM)	4470
Ambient Temperature Operating Range	
Cooling	5 - 122°F
Heating	5 - 86°F

ELECTRICAL DATA

Power Supply (V/Hz/Φ)	208-230/60/1
Minimum Circuit Ampacity (A)	35
Maximum Overcurrent Protection (A)	50
Outdoor Fan Motor RLA (A)	(2) 0.39
Compressor RLA (A)	23.5
No. of Compressors	1

GENERAL DATA

Connection Ratio (%)	100%
Max. # of Indoor Units	1 unit
Sound Data (dBA) - Cooling/Heating	62.5 / 62.5
Refrigerant type	R-410A
Factory refrigerant charge	9 lbs. 4 oz.

DIMENSIONS

Unit Dimensions (in)	Height	52-1/2
	Width	37-1/2
	Depth	15-7/8
Shipping Weight (lb)		246
Net Weight (lb)		218

PRODUCT WARRANTY

Compressor – Twelve year limited warranty.
 All other covered components – Twelve year limited warranty.
 Product registration required.

OPTIONAL ACCESSORIES

Non-Programmable Controller (M0STAT61Q-1)	1+
Wireless Remote Controller (M0STAT60Q-1)	
Programmable Controller (M0STAT64Q-1)	

INDOOR SPECIFICATIONS

PERFORMANCE

Airflow (CFM)	High	1470
	Medium	1180
	Low	940
External Static Pressure (in. w.g.)		0 - 0.40
Sound Pressure (dBA)	High	52
	Medium	49
	Low	46

ELECTRICAL DATA

Power Supply (V/Hz/Φ)	Supplied by ODU
Rated load amps (RLA)	1.8
Power Output (W)	240

DIMENSIONS

Unit Dimensions (in)	Height	11-7/8
	Width	47-1/4
	Depth	31-1/2
Liquid Pipe Connection (in)		3/8
Gas Pipe Connection (in)		5/8
Condensate drain connection (in)		1
Unit Shipping Weight (lb)		114
Unit Net Weight (lb)		95

NOTES

- Cooling and Heating Capacity data is rated at the following conditions:
 Cooling: 80°FDB / 67°FWB Indoor, 95°FWB / 75°FDB Outdoor
 Heating: 70°FDB / 60°FWB Indoor, 47°FDB / 43°FWB Outdoor

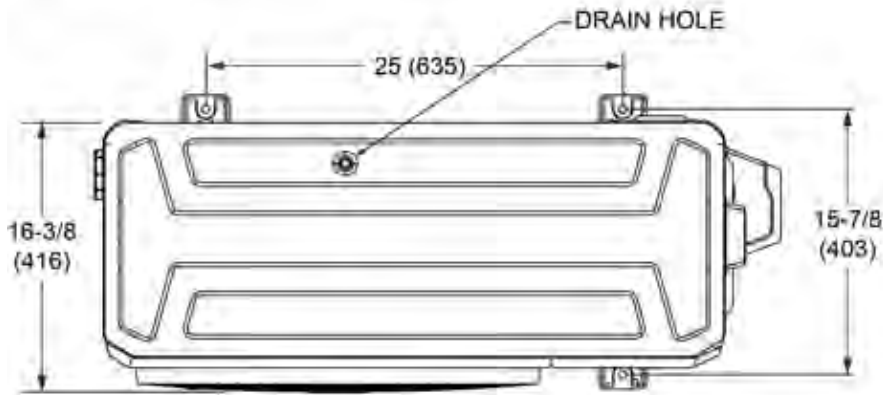


NOTE – Due to Lennox' ongoing commitment to quality, Specifications, Ratings, and Dimensions are subject to change without notice and without incurring liability. Improper installation, adjustment, alteration, service or maintenance can cause property damage or personal injury. Installation and service must be performed by a qualified installer and servicing agency.

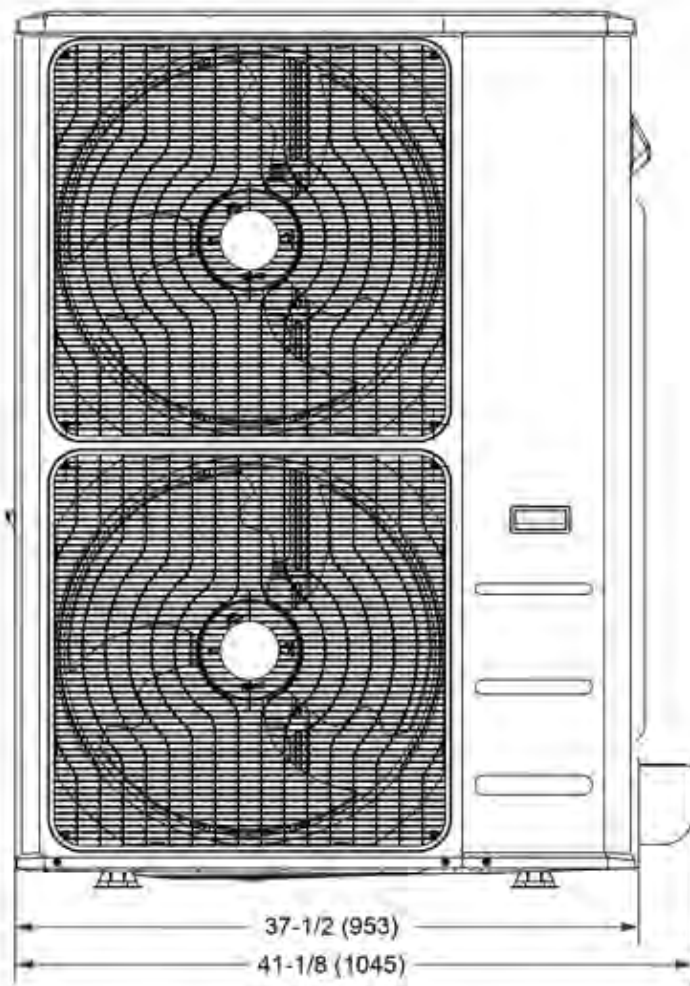


SUBMITTAL DATA - DUCTED MPB048S4S-1P – MMDA048S4-1P SINGLE ZONE MINI-SPLIT HEAT PUMP

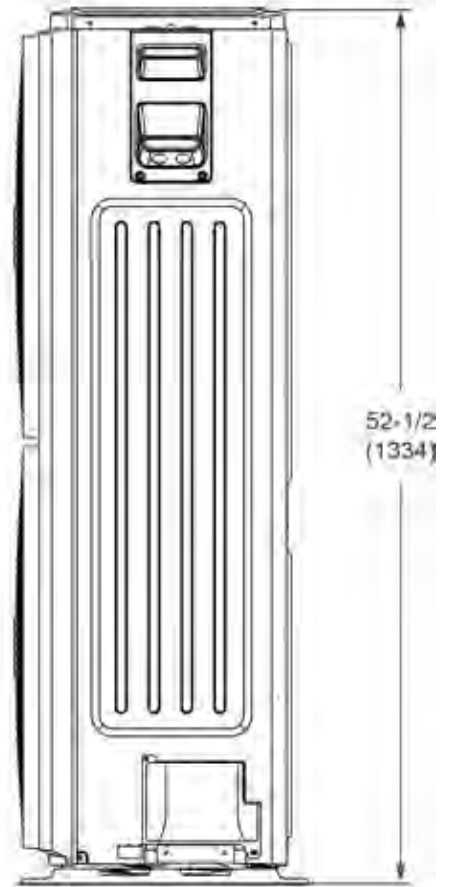
OUTDOOR DIMENSIONAL DRAWINGS - INCHES (MM)



TOP VIEW



FRONT VIEW



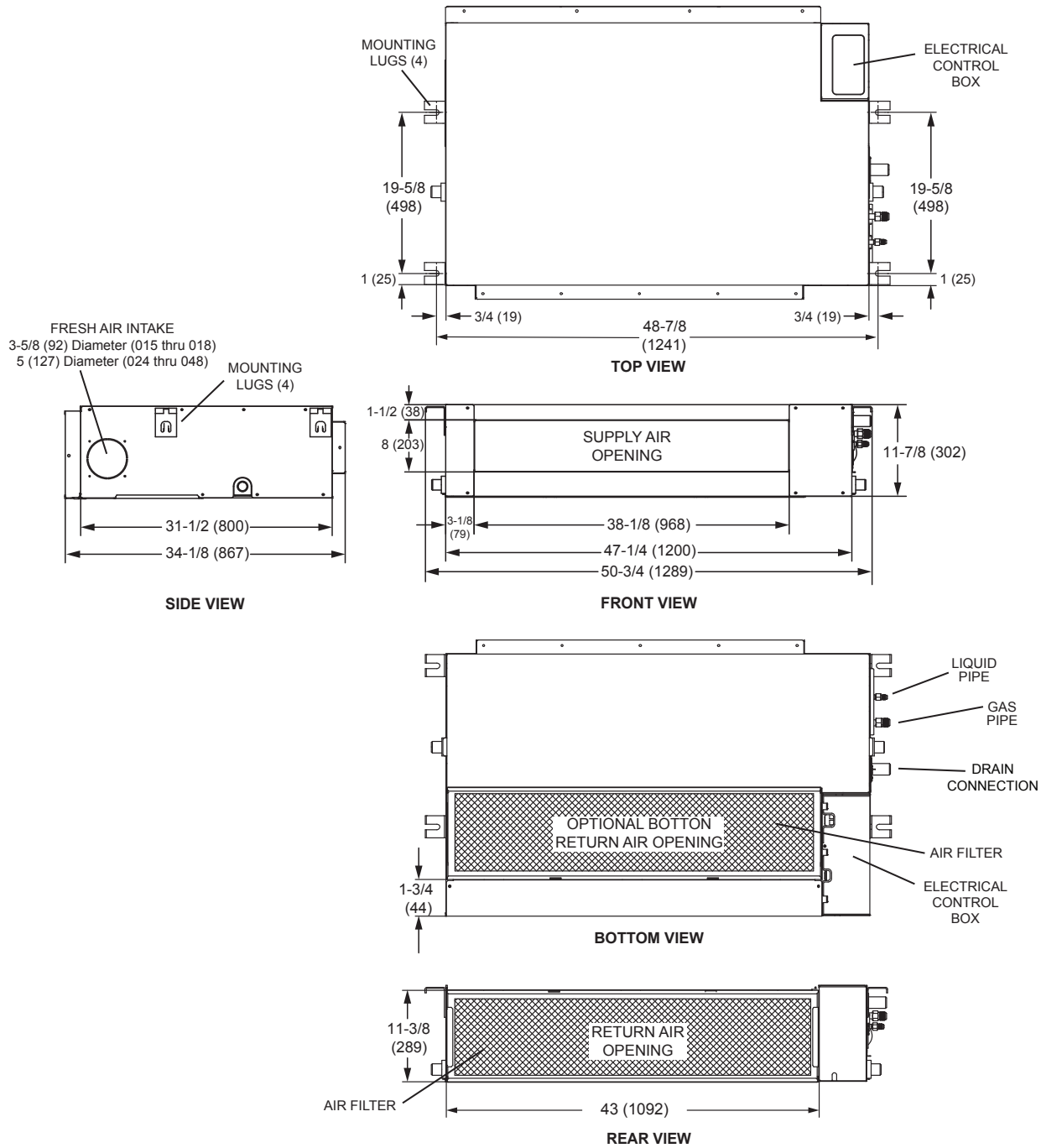
SIDE VIEW

NOTE – Due to Lennox' ongoing commitment to quality, Specifications, Ratings, and Dimensions are subject to change without notice and without incurring liability. Improper installation, adjustment, alteration, service or maintenance can cause property damage or personal injury. Installation and service must be performed by a qualified installer and servicing agency.



SUBMITTAL DATA – DUCTED
MPB048S4S-1P – MMDA048S4-1P
 SINGLE ZONE MINI-SPLIT HEAT PUMP

INDOOR DIMENSIONAL DRAWINGS - INCHES (MM)



NOTE – Due to Lennox' ongoing commitment to quality, Specifications, Ratings, and Dimensions are subject to change without notice and without incurring liability. Improper installation, adjustment, alteration, service or maintenance can cause property damage or personal injury. Installation and service must be performed by a qualified installer and servicing agency.