

Job:
 Location:
 Schedule No.:
 System Designation:

Engineer:
 Architect:
 Location:
 Date:

For: Reference Approval Review Construction

2x2 Ceiling Cassette Indoor Unit

FEATURES

- Pre Heat Function
- Auto Addressing
- Auto Restart
- Integral Condensate Pump
- Electronic Expansion Valve
- 360° Air Distribution
- Flare Connections
- LED Display
- Refrigerant R-410A
- Four capacity sizes from 7,000 to 15,000 Btu/h

WARRANTY

- 10-year limited warranty.*See warranty for details.

SPECIFICATIONS

PERFORMANCE

Cooling Capacity ¹ (Btu/h)		7,000
Heating Capacity ¹ (Btu/h)		8,000
Airflow (CFM)	Low/Medium/High	229/282/306
External Static Pressure (in.w.g.)		0~0.04
Sound (dBA)	Low/Medium/High	35.5/39.6/41.4

ELECTRICAL DATA

Power Supply (Volts/Phase/Hertz)		208/230V-1Ph-60Hz
Minimum Circuit Ampacity (MCA)		0.38
Max. Overcurrent Protection (MOCP)		15
Cooling Power Input ² (W)		22
Cooling Rated Current (A)		0.4
Heating Power Input ² (W)		15
Heating Rated Current (A)		0.3
Indoor Fan Motor Input (W)		21(H:10Pa)

DIMENSIONS

Unit Dimensions (in)	Width	22-5/8
	Height	10-3/8
	Depth	25
Diffuser Panel Dimensions (in)	Width	25-1/2
	Height	2
	Depth	25-1/2
Liquid Pipe Connection (in)		1/4
Gas Pipe Connection (in)		1/2
Drain Connection (in)		1
Net Weight (lb)		40
Shipping Weight (lb)		50.3
Diffuser Panel Shipping Weight (lb)		10.4
Diffuser Panel Net Weight (lb)		7



OPTIONAL ACCESSORIES

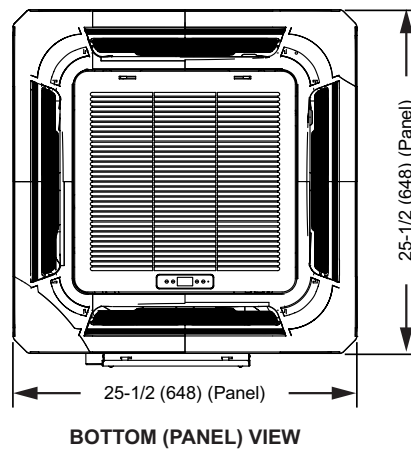
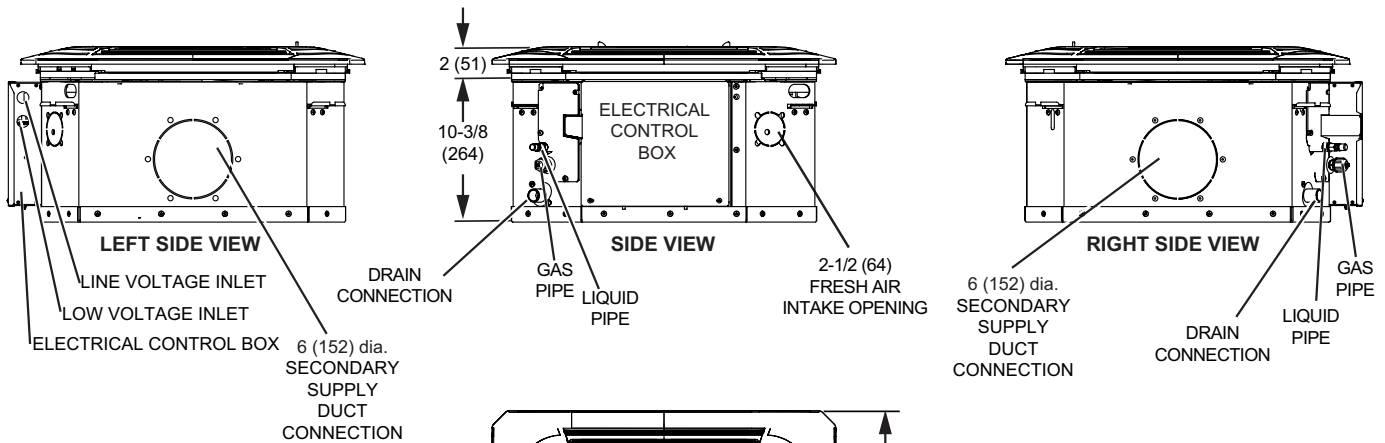
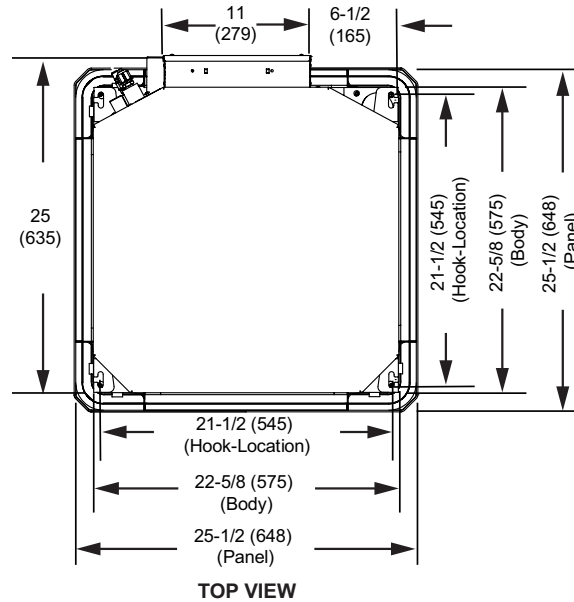
Non-Programmable Controller	V0STAT54P-3
Programmable Wired Controller	V0STAT51P-3
Infrared Wireless Controller	V0STAT52P-1
Occupancy Sensor	V0SNSR78P-3
HHE Relay Kit	V0CTRL92P-3
Hotel Keycard Interface	V0CTRL88P-1

NOTES

1. Cooling and Heating capacity data is rated at the following conditions:
 Cooling: 80°FDB / 67°FWB Indoor, 95°FDB
 Outdoor Heating: 70°FDB Indoor, 47°FDB / 43°FWB Outdoor.
2. Power Input values are rated at high fan speed.



DIMENSIONAL DRAWINGS - INCHES (MM)



NOTE - Due to Lennox' ongoing commitment to quality, Specifications, Ratings and Dimensions subject to change without notice and without incurring liability. Improper installation, adjustment, alteration, service or maintenance can cause property damage or personal injury. Installation and service must be performed by a qualified installer and servicing agency.