

Job: _____
 Location: _____
 Schedule No.: _____
 System Designation: _____

Engineer: _____
 Architect: _____
 Location: _____
 Date: _____
 For: Reference Approval Review Construction

3x3 Ceiling Cassette Indoor Unit

FEATURES

- Pre Heat Function
- Integral Condensate Pump
- Flare Connections
- Four Built-In Dry Contacts
- Auto Addressing
- Electronic Expansion Valve
- LED Display
- Refrigerant R-410A
- Auto Restart
- 360° Air Distribution
- High-Efficiency DC Motor
- Eight Capacity Sizes from 9,000 to 48,000 Btu/h

WARRANTY

- 10-year limited warranty.*See warranty for details.

SPECIFICATIONS

PERFORMANCE		
Cooling Capacity ¹ (Btu/h)		8,500
Heating Capacity ¹ (Btu/h)		10,900
Airflow (CFM)	Low/Medium/High	330/390/460
External Static Pressure (in. w.g.)		0-0.12
Sound (dBA)	Low/Medium/High	33.6/35.1/37.7
ELECTRICAL DATA		
Power Supply (Volts/Hertz/Phase)		208-230/60/1
Minimum Circuit Ampacity (MCA) (A)		0.5
Maximum Overcurrent Protection (MOP) (A)		15
Cooling Power Input ² (W)		29
Cooling Rated Current (A)		0.35
Heating Power Input ² (W)		22
Heating Rated Current (A)		0.35
Indoor Fan Motor Input (W)		40
DIMENSIONS		
Unit Dimensions (in)	Width	33-1/8
	Height	9
	Depth	33-1/8
Diffuser Panel Dimensions (in)	Width	37-3/8
	Height	1-3/4
	Depth	37-3/8
Liquid Pipe Connection (in)		1/4
Gas Pipe Connection (in)		1/2
Drain Connection (in) (O.D.)		1-1/4
Net Weight (lb)		69
Shipping Weight (lb)		86
Diffuser Panel Shipping Weight (lb)		17.4



OPTIONAL ACCESSORIES

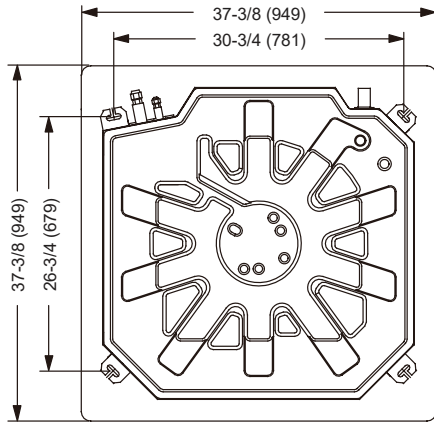
<input type="checkbox"/> Non-Programmable Controller	V0STAT54P-3
<input type="checkbox"/> Programmable Wired Controller	V0STAT51P-3
<input type="checkbox"/> Infrared Wireless Controller	V0STAT52P-1
<input type="checkbox"/> Occupancy Sensor	V0SNSR78P-3
<input type="checkbox"/> HHE Relay Kit	V0CTRL92P-3
<input type="checkbox"/> Hotel Keycard Interface	V0CTRL88P-1

NOTES

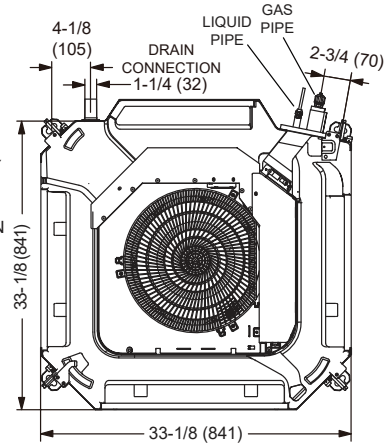
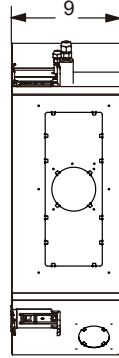
- Cooling and Heating capacity data is rated at the following conditions:
 Cooling: 80°FDB / 67°F WB Indoor, 95°FDB
 Outdoor Heating: 70°FDB Indoor, 47°FDB / 43°F WB Outdoor.
- Power Input values are rated at high fan speed.



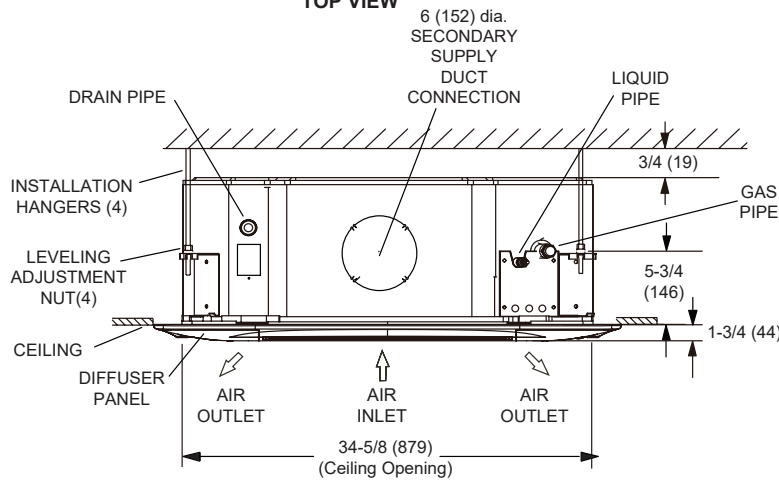
DIMENSIONAL DRAWINGS - INCHES (MM)



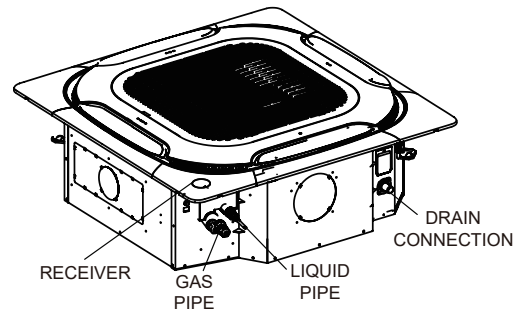
TOP VIEW



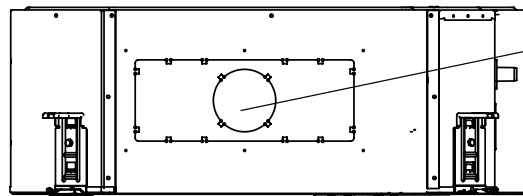
BOTTOM VIEW



SIDE VIEW



BOTTOM (PANEL) VIEW



SIDE VIEW

NOTE - Due to Lennox' ongoing commitment to quality, Specifications, Ratings and Dimensions subject to change without notice and without incurring liability. Improper installation, adjustment, alteration, service or maintenance can cause property damage or personal injury. Installation and service must be performed by a qualified installer and servicing agency.