



SUBMITTAL DATA - INDOOR UNIT

VCFA030S4-1P

VRF HEAT PUMP & HEAT RECOVERY

Job: _____

Location: _____

Schedule No.: _____

System Designation: _____

Engineer: _____

Architect: _____

Date: _____

For: Reference Approval Review Construction

FEATURES

- Pre Heat Function
- Auto Addressing
- Auto Restart
- Auto Swing Louvers
- Electronic Expansion Valve
- Flare Connections
- LED Display
- Washable Filter
- Refrigerant R-410A
- Eight capacity sizes from 12,000 to 54,000 Btu/h

Product Warranty

All covered components – One year limited warranty.

SPECIFICATIONS

PERFORMANCE

Cooling Capacity ¹ (Btu/h)		30,000
Heating Capacity ¹ (Btu/h)		34,100
Airflow (CFM)	High	706
	Medium	530
	Low	412
External Static Pressure (in. WC)		-
Sound Pressure (dBA)	High	45
	Medium	43
	Low	40

ELECTRICAL DATA

Power Supply (V/Hz/Φ)	208-230/60/1
Minimum circuit ampacity (MCA)	1.1
Max. Overcurrent Protection (MOCP)	15
Cooling Power Input ² (W)	195
Cooling Rated current (A)	0.9
Heating Power Input ² (W)	195
Heating Rated current (A)	0.9
Indoor Fan Motor Input (W)	180

DIMENSIONS

Unit Dimensions (in)	Height	26
	Width	50-3/8
	Depth	8-1/8
Liquid Pipe Connection (in)		3/8
Gas Pipe Connection (in)		5/8
Condensate drain connection (in)		(1) 5/8
Unit Shipping Weight (lb)		90
Unit Net Weight (lb)		76



OPTIONAL ACCESSORIES

<input type="checkbox"/> Non-Programmable Controller	V0STAT54P-1
<input type="checkbox"/> Programmable Wired Controller	V0STAT51P-1
<input type="checkbox"/> Infrared Wireless Controller	V0STAT52P-1
<input type="checkbox"/> Infrared Sensor	V0SNSR78P-1
<input type="checkbox"/> Auxiliary Heat Interface	V0CTRL90P-1
<input type="checkbox"/> Hotel Keycard Interface	V0CTRL88O-1

NOTES

- Cooling and Heating capacity data is rated at the following conditions:
Cooling: 80°FDB / 67°FWB Indoor, 95°FDB Outdoor
Heating: 70°FDB Indoor, 47°FDB / 43°FWB Outdoor
- Power Input values are rated at high fan speed.

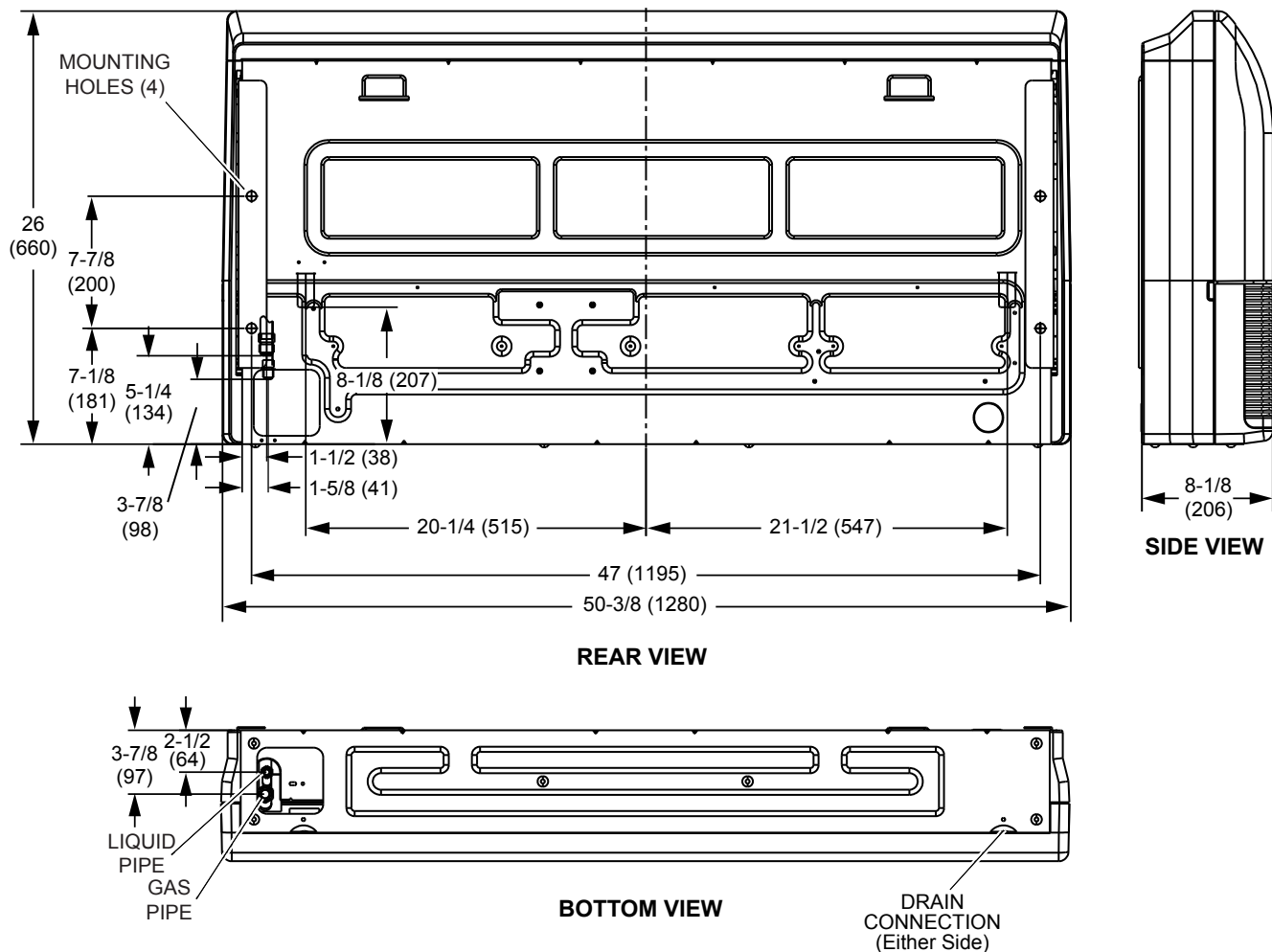


NOTE – Due to Lennox' ongoing commitment to quality, Specifications, Ratings and Dimensions subject to change without notice and without incurring liability. Improper installation, adjustment, alteration, service or maintenance can cause property damage or personal injury. Installation and service must be performed by a qualified installer and servicing agency.



SUBMITTAL DATA - INDOOR UNIT
VCFA030S4-1P
 VRF HEAT PUMP & HEAT RECOVERY

DIMENSIONAL DRAWINGS - INCHES (MM)



NOTE - Due to Lennox' ongoing commitment to quality, Specifications, Ratings and Dimensions subject to change without notice and without incurring liability. Improper installation, adjustment, alteration, service or maintenance can cause property damage or personal injury. Installation and service must be performed by a qualified installer and servicing agency.