

Job: _____
 Location: _____
 Schedule No.: _____
 System Designation: _____

Engineer: _____
 Architect: _____
 Location: _____
 Date: _____
 For: Reference Approval Review Construction

High-Static Concealed Ducted Indoor Unit

FEATURES

- Pre Heat Function
- Auto Addressing
- Auto Restart
- Electronic Expansion Valve
- Factory Secondary Drain Pan
- Brazed Connections
- LED Display
- Sectional Filter
- High-Efficiency DC Motor
- Four Built-In Dry Contact Relays
- Refrigerant R-410A
- Eight capacity sizes from 12,000 to 96,000 Btu/h

WARRANTY

- 10-year limited warranty.*See warranty for details.

SPECIFICATIONS

PERFORMANCE			
Cooling Capacity ¹ (Btu/h)			24,000
Heating Capacity ¹ (Btu/h)			27,000
Airflow (CFM)	Low/Medium/High		524/600/735
External Static Pressure (in. w.g.)			0.2~0.8
Sound (dBA)	Low/Medium/High		42.7/45.7/50.7
ELECTRICAL DATA			
Power Supply (Volts/Hertz/Phase)			208-230/60/1
Minimum Circuit Ampacity (MCA) (A)			5.7
Maximum Overcurrent Protection (MOP) (A)			15
Cooling Power Input ² (W)			106
Cooling Rated Current (A)			1
Heating Power Input ² (W)			96
Heating Rated Current (A)			1
Indoor Fan Motor Input (W)			81
DIMENSIONS			
Unit Dimensions (in)	Width		37-1/2
	Height		16-1/2
	Depth		29-1/8
Liquid Pipe Connection (in) (I.D.)			3/8
Gas Pipe Connection (in) (I.D.)			5/8
Drain Connection (in) (O.D.)			1
Net Weight (lb)			115
Shipping Weight (lb)			168



OPTIONAL ACCESSORIES

<input type="checkbox"/> Non-Programmable Controller	V0STAT54P-3
<input type="checkbox"/> Programmable Wired Controller	V0STAT51P-3
<input type="checkbox"/> Infrared Wireless Controller	V0STAT52P-1
<input type="checkbox"/> Occupancy Sensor	V0SNSR78P-3
<input type="checkbox"/> Remote Sensor	V0SNSR00P-1
<input type="checkbox"/> HHE Relay Kit	V0CTRL92P-3
<input type="checkbox"/> Hotel Keycard Interface	V0CTRL88P-1

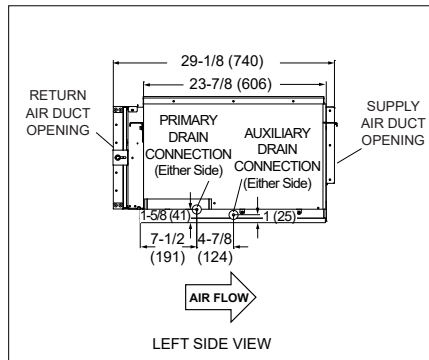
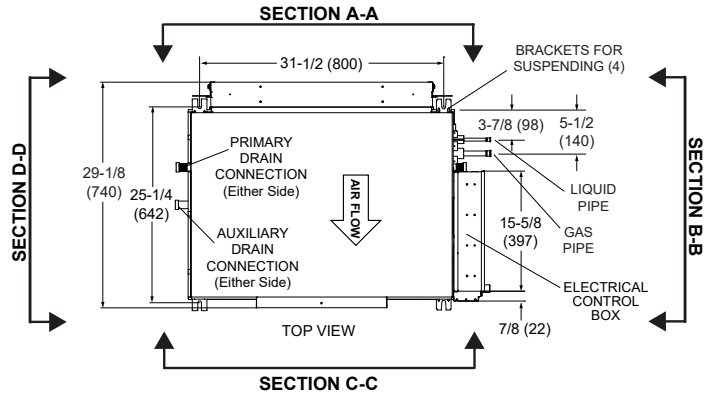
NOTES

1. Cooling and Heating capacity data is rated at the following conditions:
 Cooling: 80°FDB / 67°FWB Indoor, 95°FDB
 Outdoor Heating: 70°FDB Indoor, 47°FDB / 43°FWB Outdoor.
2. Power Input values are rated at high fan speed.
3. Complies with AHRI 1230-2014 testing standards

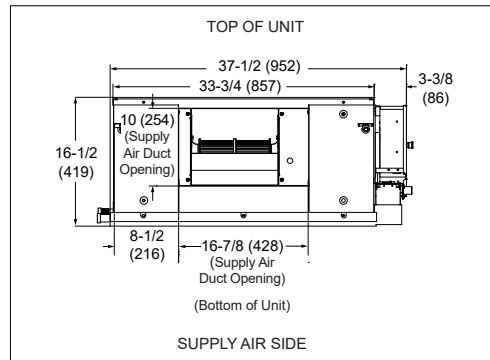


DIMENSIONAL DRAWINGS - INCHES (MM)

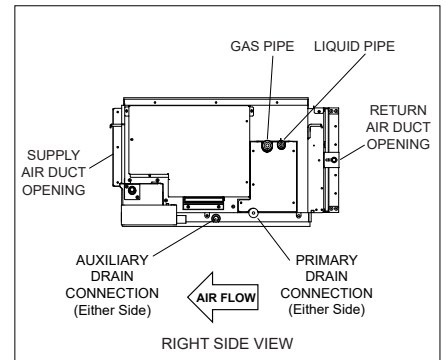
VHIB024H4



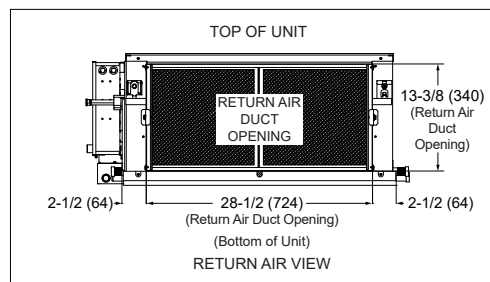
SECTION D-D



SECTION C-C



SECTION B-B



SECTION A-A

NOTE - Due to Lennox' ongoing commitment to quality, Specifications, Ratings and Dimensions subject to change without notice and without incurring liability. Improper installation, adjustment, alteration, service or maintenance can cause property damage or personal injury. Installation and service must be performed by a qualified installer and servicing agency.