

Job: _____
 Location: _____
 Schedule No.: _____
 System Designation: _____

Engineer: _____
 Architect: _____
 Location: _____
 Date: _____
 For: Reference Approval Review Construction

High-Static Concealed Ducted Indoor Unit

FEATURES

- Pre Heat Function
- Auto Addressing
- Auto Restart
- Electronic Expansion Valve
- Factory Secondary Drain Pan
- Brazed Connections
- LED Display
- Sectional Filter
- High-Efficiency DC Motor
- Four Built-In Dry Contact Relays
- Refrigerant R-410A
- Eight capacity sizes from 12,000 to 96,000 Btu/h

WARRANTY

- 10-year limited warranty.*See warranty for details.

SPECIFICATIONS

PERFORMANCE

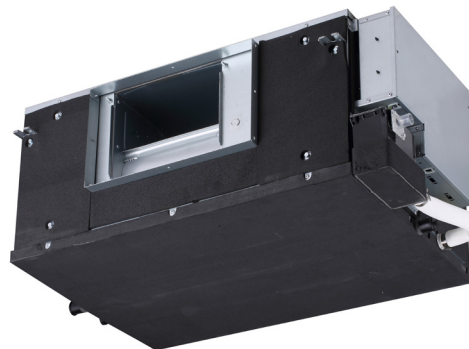
| | | |
|---------------------------------------|-----------------|----------------|
| Cooling Capacity ¹ (Btu/h) | | 30,000 |
| Heating Capacity ¹ (Btu/h) | | 34,000 |
| Airflow (CFM) | Low/Medium/High | 647/753/971 |
| External Static Pressure (in. w.g.) | | 0.2~0.8 |
| Sound (dBA) | Low/Medium/High | 43.3/46.8/52.3 |

ELECTRICAL DATA

| | |
|--|--------------|
| Power Supply (Volts/Hertz/Phase) | 208-230/60/1 |
| Minimum Circuit Ampacity (MCA) (A) | 7.1 |
| Maximum Overcurrent Protection (MOP) (A) | 15 |
| Cooling Power Input ² (W) | 170 |
| Cooling Rated Current (A) | 1.5 |
| Heating Power Input ² (W) | 170 |
| Heating Rated Current (A) | 1.5 |
| Indoor Fan Motor Input (W) | 140 |

DIMENSIONS

| | | |
|------------------------------------|--------|--------|
| Unit Dimensions (in) | Width | 37-1/2 |
| | Height | 16-1/2 |
| | Depth | 29-1/8 |
| Liquid Pipe Connection (in) (I.D.) | | 3/8 |
| Gas Pipe Connection (in) (I.D.) | | 5/8 |
| Drain Connection (in) (O.D.) | | 1 |
| Net Weight (lb) | | 120 |
| Shipping Weight (lb) | | 170 |



OPTIONAL ACCESSORIES

| | |
|--|-------------|
| <input type="checkbox"/> Non-Programmable Controller | V0STAT54P-3 |
| <input type="checkbox"/> Programmable Wired Controller | V0STAT51P-3 |
| <input type="checkbox"/> Infrared Wireless Controller | V0STAT52P-1 |
| <input type="checkbox"/> Occupancy Sensor | V0SNSR78P-3 |
| <input type="checkbox"/> Remote Sensor | V0SNSR00P-1 |
| <input type="checkbox"/> HHE Relay Kit | V0CTRL92P-3 |
| <input type="checkbox"/> Hotel Keycard Interface | V0CTRL88P-1 |

NOTES

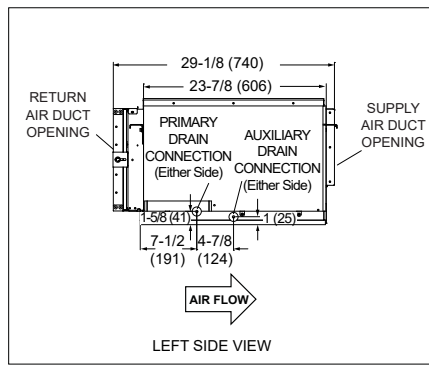
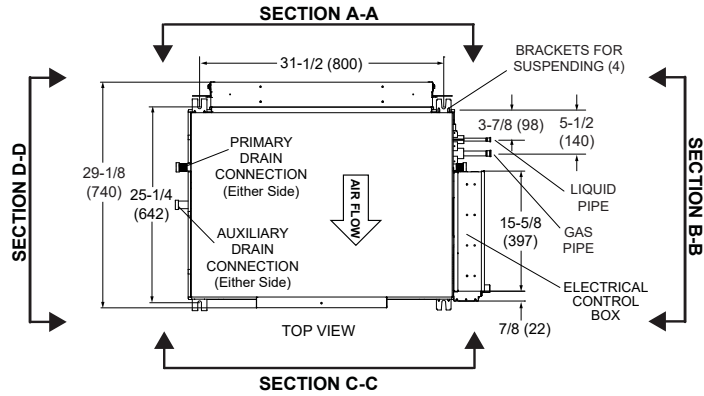
1. Cooling and Heating capacity data is rated at the following conditions:
 - Cooling: 80°FDB / 67°FWB Indoor, 95°FDB
 - Outdoor Heating: 70°FDB Indoor, 47°FDB / 43°FWB Outdoor.
2. Power Input values are rated at high fan speed.
3. Complies with AHRI 1230-2014 testing standards



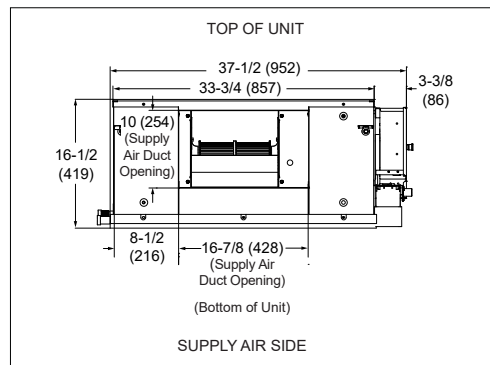
NOTE – Due to Lennox' ongoing commitment to quality, Specifications, Ratings and Dimensions subject to change without notice and without incurring liability. Improper installation, adjustment, alteration, service or maintenance can cause property damage or personal injury. Installation and service must be performed by a qualified installer and servicing agency.

DIMENSIONAL DRAWINGS - INCHES (MM)

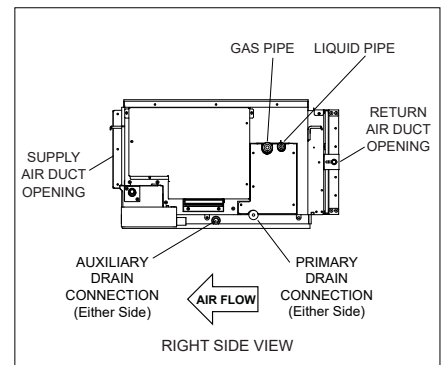
VHIB030H4



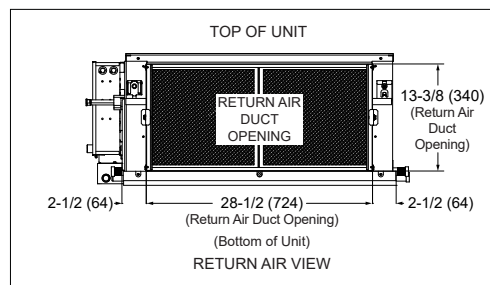
SECTION D-D



SECTION C-C



SECTION B-B



SECTION A-A

NOTE - Due to Lennox' ongoing commitment to quality, Specifications, Ratings and Dimensions subject to change without notice and without incurring liability. Improper installation, adjustment, alteration, service or maintenance can cause property damage or personal injury. Installation and service must be performed by a qualified installer and servicing agency.