

Job: \_\_\_\_\_  
 Location: \_\_\_\_\_  
 Schedule No.: \_\_\_\_\_  
 System Designation: \_\_\_\_\_

Engineer: \_\_\_\_\_  
 Architect: \_\_\_\_\_  
 Location: \_\_\_\_\_  
 Date: \_\_\_\_\_  
 For:  Reference  Approval  Review  Construction

## High-Static Concealed Ducted Indoor Unit

### FEATURES

- Pre Heat Function
- Auto Addressing
- Auto Restart
- Electronic Expansion Valve
- Brazed Connections
- LED Display
- Sectional Filter
- High-Efficiency DC Motor
- Four Built-In Dry Contact Relays
- Refrigerant R-410A
- Eight capacity sizes from 12,000 to 96,000 Btu/h

### WARRANTY

- 10-year limited warranty.\*See warranty for details.

### SPECIFICATIONS

#### PERFORMANCE

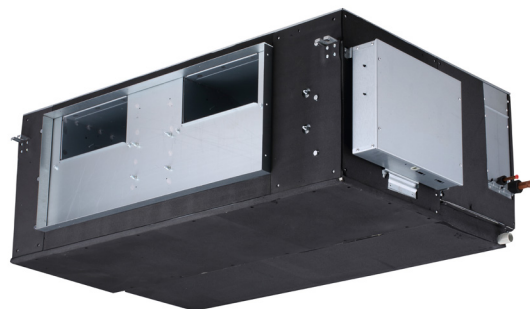
Cooling Capacity <sup>1</sup> (Btu/h)		72,000
Heating Capacity <sup>1</sup> (Btu/h)		81,000
Airflow (CFM)	Low/Medium/High	1559/1794/2235
External Static Pressure (in. w.g.)		0.2~1.0
Sound (dBA)	Low/Medium/High	53.5/56.7/59.2

#### ELECTRICAL DATA

Power Supply (Volts/Hertz/Phase)		208-230/60/1
Minimum Circuit Ampacity (MCA) (A)		9.6
Maximum Overcurrent Protection (MOP) (A)		15
Cooling Power Input <sup>2</sup> (W)		404
Cooling Rated Current (A)		3
Heating Power Input <sup>2</sup> (W)		390
Heating Rated Current (A)		3
Indoor Fan Motor Input (W)		245*2

#### DIMENSIONS

Unit Dimensions (in)	Width	56-3/4
	Height	20-7/8
	Depth	38-1/4
Liquid Pipe Connection (in) (I.D.)		3/8
Gas Pipe Connection (in) (I.D.)		7/8
Drain Connection (in) (O.D.)		1-5/8
Net Weight (lb)		273
Shipping Weight (lb)		372



### OPTIONAL ACCESSORIES

<input type="checkbox"/> Non-Programmable Controller	V0STAT54P-3
<input type="checkbox"/> Programmable Wired Controller	V0STAT51P-3
<input type="checkbox"/> Infrared Wireless Controller	V0STAT52P-1
<input type="checkbox"/> Occupancy Sensor	V0SNSR78P-3
<input type="checkbox"/> Remote Sensor	V0SNSR00P-1
<input type="checkbox"/> HHE Relay Kit	V0CTRL92P-3
<input type="checkbox"/> Hotel Keycard Interface	V0CTRL88P-1
<input type="checkbox"/> Optional Drain Pump Kit	V8DRNP04

### NOTES

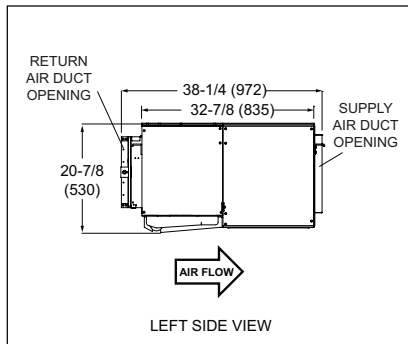
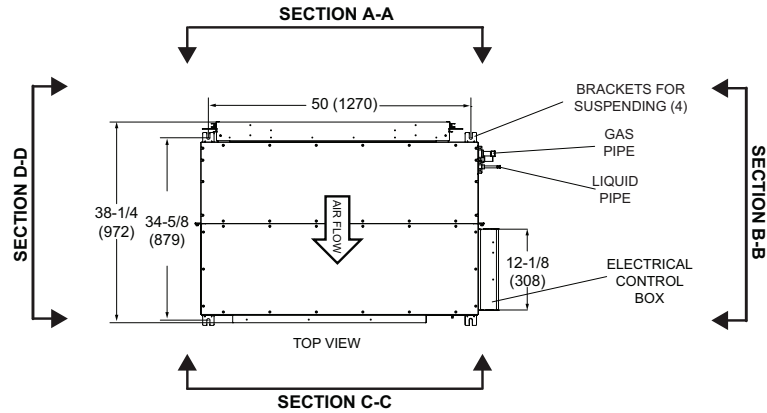
1. Cooling and Heating capacity data is rated at the following conditions:
  - Cooling: 80°FDB / 67°FWB Indoor, 95°FDB
  - Outdoor Heating: 70°FDB Indoor, 47°FDB / 43°FWB Outdoor.
2. Power Input values are rated at high fan speed.
3. Complies with AHRI 1230-2014 testing standards



NOTE - Due to Lennox' ongoing commitment to quality, Specifications, Ratings and Dimensions subject to change without notice and without incurring liability. Improper installation, adjustment, alteration, service or maintenance can cause property damage or personal injury. Installation and service must be performed by a qualified installer and servicing agency.

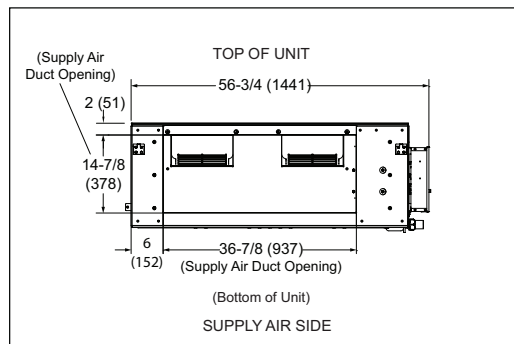
**DIMENSIONAL DRAWINGS - INCHES (MM)**

VHIB072H4



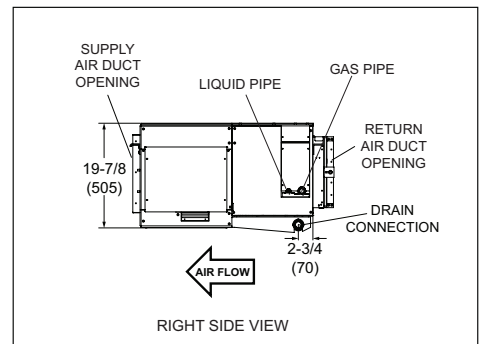
LEFT SIDE VIEW

SECTION D-D



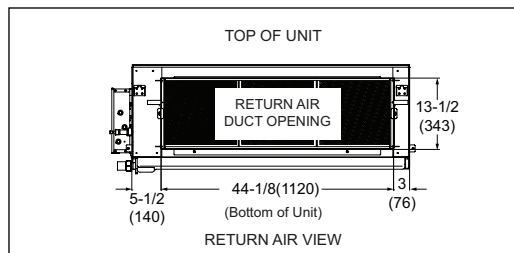
(Bottom of Unit)  
SUPPLY AIR SIDE

SECTION C-C



RIGHT SIDE VIEW

SECTION B-B



RETURN AIR VIEW

SECTION A-A