

Job: _____

Location: _____

Schedule No.: _____

System Designation: _____

Engineer: _____

Architect: _____

Location: _____

Date: _____

For: Reference Approval Review Construction

Medium-Static Concealed Duct Indoor Unit

FEATURES

- Pre Heat Function
- Auto Addressing
- Auto Restart
- Four Built-In Dry Contact Relays
- Electronic Expansion Valve
- High-Efficiency DC Motor
- Brazed Connections
- LED Display
- Foldable Return Air Filter
- Refrigerant R-410A
- Nine capacity sizes from 7,000 to 48,000 Btu/h
- Integral condensate pump

WARRANTY

- 10-year limited warranty.*See warranty for details.

SPECIFICATIONS

PERFORMANCE

Cooling Capacity ¹ (Btu/h)		7,000
Heating Capacity ¹ (Btu/h)		8,000
Airflow (CFM)	Low/Medium/High	220/220/260
External Static Pressure (in. w.g.)		0.08 - 0.32
Sound (dBA)	Low/Medium/High	31.8/32.1/33.2

ELECTRICAL DATA

Power Supply (Volts/Hertz/Phase)		208-230/60/1
Minimum Circuit Ampacity (MCA) (A)		1.25
Maximum Overcurrent Protection (MOP) (A)		15
Cooling Power Input ² (W)		35
Cooling Rated Current (A)		0.5
Heating Power Input ² (W)		30.00
Heating Rated Current (A)		0.5
Indoor Fan Motor Input (W)		47

DIMENSIONS

Unit Dimensions (in)	Width	39-3/8
	Height	8-1/4
	Depth	19-7/8
Liquid Pipe Connection (in) (I.D.)		1/4
Gas Pipe Connection (in) (I.D.)		1/2
Drain Connection (in) (O.D.)		1
Net Weight (lb)		51
Shipping Weight (lb)		58



OPTIONAL ACCESSORIES

Non-Programmable Controller	V0STAT54P-3
Programmable Wired Controller	V0STAT51P-3
Infrared Wireless Controller	V0STAT52P-1
Occupancy Sensor	V0SNSR78P-3
Remote Sensor	V0SNSR00P-1
HHE Relay Kit	V0CTRL92P-3
Hotel Keycard Interface	V0CTRL88P-1

NOTES

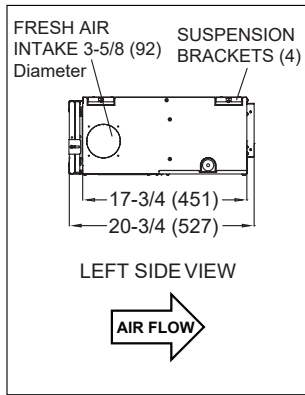
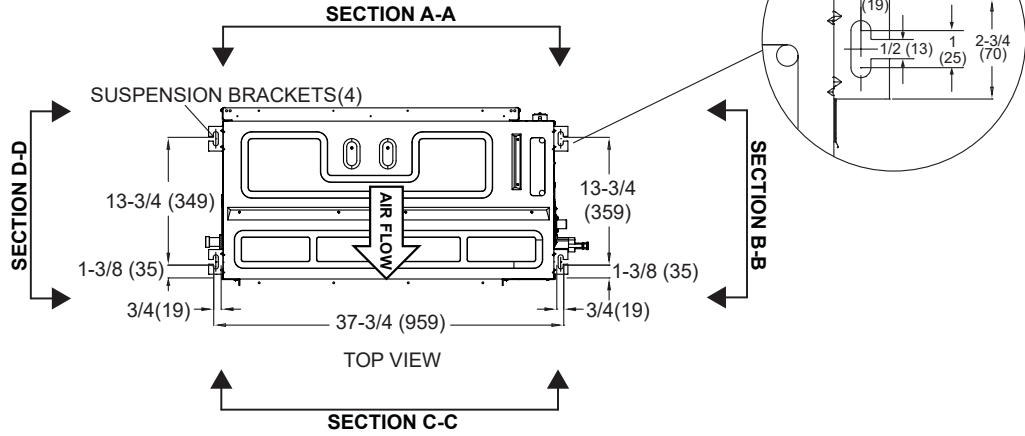
1. Cooling and Heating capacity data is rated at the following conditions:
Cooling: 80°FDB / 67°FWB Indoor, 95°FDB
Outdoor Heating: 70°FDB Indoor, 47°FDB / 43°FWB Outdoor.
2. Power Input values are rated at high fan speed.
3. Complies with AHRI 1230-2014 testing standards



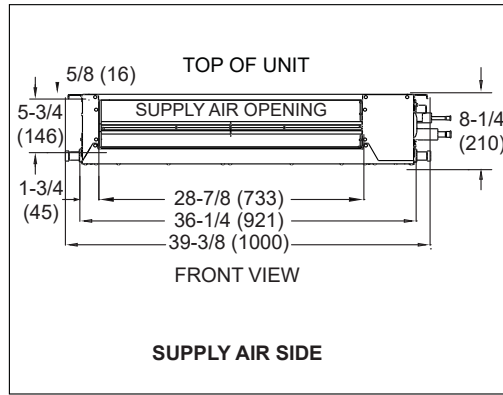
NOTE – Due to Lennox' ongoing commitment to quality, Specifications, Ratings and Dimensions subject to change without notice and without incurring liability. Improper installation, adjustment, alteration, service or maintenance can cause property damage or personal injury. Installation and service must be performed by a qualified installer and servicing agency.

DIMENSIONAL DRAWINGS - INCHES (MM)

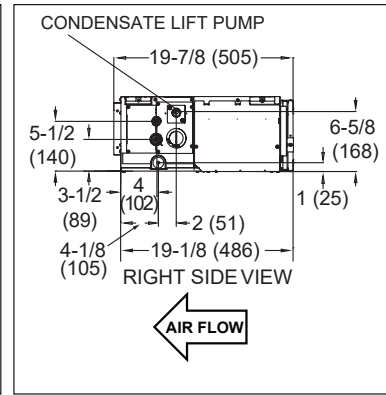
007H4



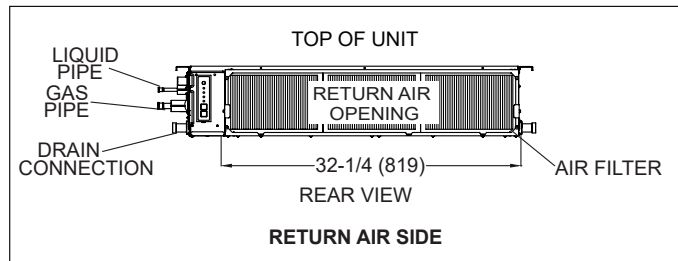
SECTION D-D



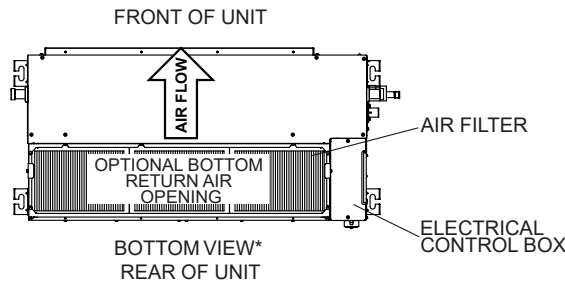
SECTION C-C



SECTION B-B



SECTION A-A



*NOTE - Unit orientation reversed to show alternative filter location and return air path on bottom of unit.

NOTE - Due to Lennox' ongoing commitment to quality, Specifications, Ratings and Dimensions subject to change without notice and without incurring liability. Improper installation, adjustment, alteration, service or maintenance can cause property damage or personal injury. Installation and service must be performed by a qualified installer and servicing agency.