

Job: _____
 Location: _____
 Schedule No.: _____
 System Designation: _____

Engineer: _____
 Architect: _____
 Location: _____
 Date: _____

For: Reference Approval Review Construction

Medium-Static Concealed Ducted Indoor Unit

FEATURES

- Pre Heat Function
- Auto Addressing
- Auto Restart
- Four Built-In Dry Contact Relays
- Electronic Expansion Valve
- High-Efficiency DC Motor
- Brazed Connections
- LED Display
- Foldable Return Air Filter
- Refrigerant R-410A
- Nine capacity sizes from 7,000 to 48,000 Btu/h

WARRANTY

- 10-year limited warranty.*See warranty for details.

SPECIFICATIONS

PERFORMANCE

Cooling Capacity ¹ (Btu/h)	9,000
Heating Capacity ¹ (Btu/h)	10,900
Airflow (CFM)	Low/Medium/High 220/260/330
External Static Pressure (in. w.g.)	0.08 - 0.32
Sound (dBA)	Low/Medium/High 29.82.8/31.6/33.7

ELECTRICAL DATA

Power Supply (Volts/Hertz/Phase)	208-230/60/1
Minimum Circuit Ampacity (MCA) (A)	1.25
Maximum Overcurrent Protection (MOP) (A)	15
Cooling Power Input ² (W)	35
Cooling Rated Current (A)	0.5
Heating Power Input ² (W)	30.00
Heating Rated Current (A)	0.5
Indoor Fan Motor Input (W)	47

DIMENSIONS

Unit Dimensions (in)	Width	39-3/8
	Height	8-1/4
	Depth	20-3/4
Liquid Pipe Connection (in) (I.D.)		1/4
Gas Pipe Connection (in) (I.D.)		1/2
Drain Connection (in) (O.D.)		1
Net Weight (lb)		51
Shipping Weight (lb)		58



OPTIONAL ACCESSORIES

<input type="checkbox"/> Non-Programmable Controller	V0STAT54P-3
<input type="checkbox"/> Programmable Wired Controller	V0STAT51P-3
<input type="checkbox"/> Infrared Wireless Controller	V0STAT52P-1
<input type="checkbox"/> Occupancy Sensor	V0SNSR78P-3
<input type="checkbox"/> Remote Sensor	V0SNSR00P-1
<input type="checkbox"/> HHE Relay Kit	VOCTRL92P-3
<input type="checkbox"/> Hotel Keycard Interface	VOCTRL88P-1

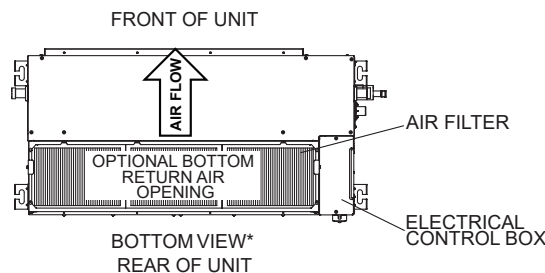
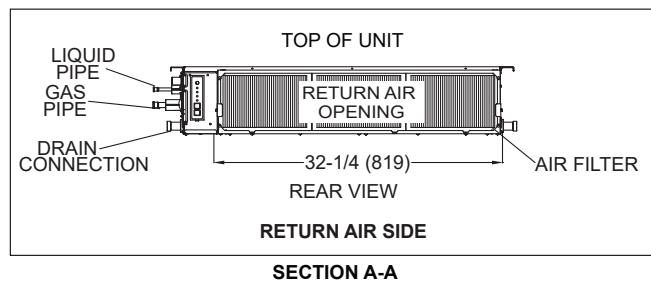
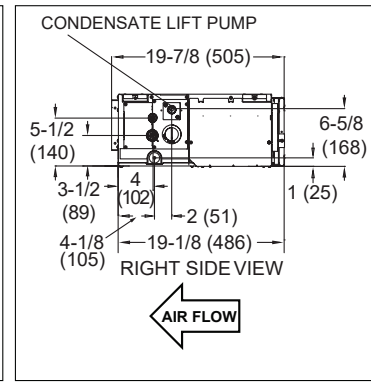
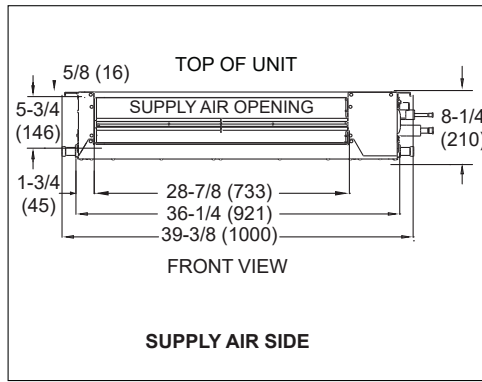
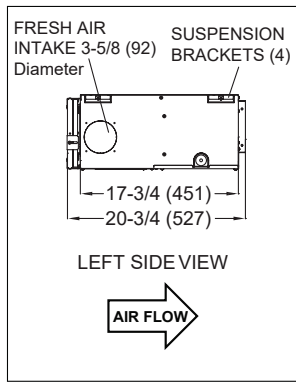
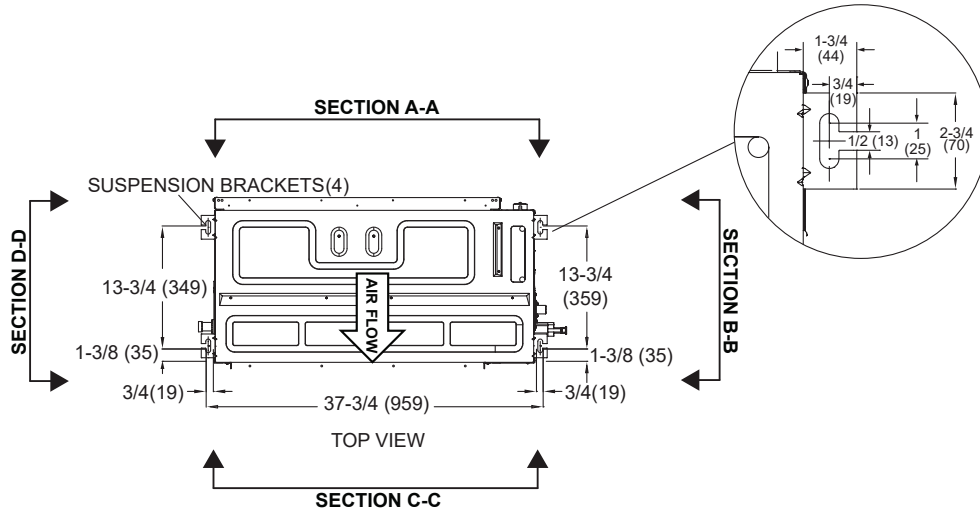
NOTES

1. Cooling and Heating capacity data is rated at the following conditions:
 Cooling: 80°FDB / 67°FWB Indoor, 95°FDB
 Outdoor Heating: 70°FDB Indoor, 47°FDB / 43°FWB Outdoor.
2. Power Input values are rated at high fan speed.
3. Complies with AHRI 1230-2014 testing standards



DIMENSIONAL DRAWINGS - INCHES (MM)

009H4



*NOTE - Unit orientation reversed to show alternative filter location and return air path on bottom of unit.

NOTE - Due to Lennox' ongoing commitment to quality, Specifications, Ratings and Dimensions subject to change without notice and without incurring liability. Improper installation, adjustment, alteration, service or maintenance can cause property damage or personal injury. Installation and service must be performed by a qualified installer and servicing agency.