

**Job:**  
**Location:**  
**Schedule No.:**  
**System Designation:**

**Engineer:**  
**Architect:**  
**Location:**  
**Date:**

**For:**    Reference    Approval    Review    Construction

## Medium-Static Concealed Ducted Indoor Unit

### FEATURES

- Pre Heat Function
- Auto Addressing
- Auto Restart
- Four Built-In Dry Contact Relays
- Electronic Expansion Valve
- High-Efficiency DC Motor
- Brazed Connections
- LED Display
- Foldable Return Air Filter
- Refrigerant R-410A
- Nine capacity sizes from 7,000 to 48,000 Btu/h
- Integral Condensate Pump

### WARRANTY

- 10-year limited warranty.\*See warranty for details.

### SPECIFICATIONS

PERFORMANCE		
Cooling Capacity <sup>1</sup> (Btu/h)		9,000
Heating Capacity <sup>1</sup> (Btu/h)		10,900
Airflow (CFM)	Low/Medium/High	220/260/330
External Static Pressure (in. w.g.)		0.08 - 0.32
Sound (dBA)	Low/Medium/High	29.82.8/31.6/33.7
ELECTRICAL DATA		
Power Supply (Volts/Hertz/Phase)		208-230/60/1
Minimum Circuit Ampacity (MCA) (A)		1.25
Maximum Overcurrent Protection (MOP) (A)		15
Cooling Power Input <sup>2</sup> (W)		35
Cooling Rated Current (A)		0.5
Heating Power Input <sup>2</sup> (W)		30.00
Heating Rated Current (A)		0.5
Indoor Fan Motor Input (W)		47
DIMENSIONS		
Unit Dimensions (in)	Width	39-3/8
	Height	8-1/4
	Depth	20-3/4
Liquid Pipe Connection (in) (I.D.)		1/4
Gas Pipe Connection (in) (I.D.)		1/2
Drain Connection (in) (O.D.)		1
Net Weight (lb)		51
Shipping Weight (lb)		58



### OPTIONAL ACCESSORIES

Non-Programmable Controller	V0STAT54P-3
Programmable Wired Controller	V0STAT51P-3
Infrared Wireless Controller	V0STAT52P-1
Occupancy Sensor	V0SNSR78P-3
Remote Sensor	V0SNSR00P-1
HHE Relay Kit	V0CTRL92P-3
Hotel Keycard Interface	V0CTRL88P-1

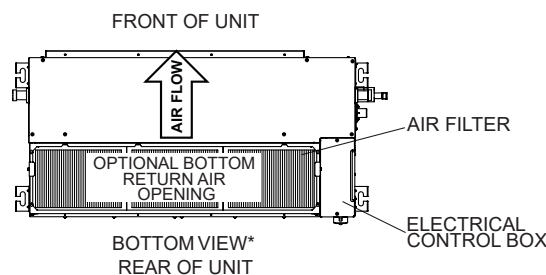
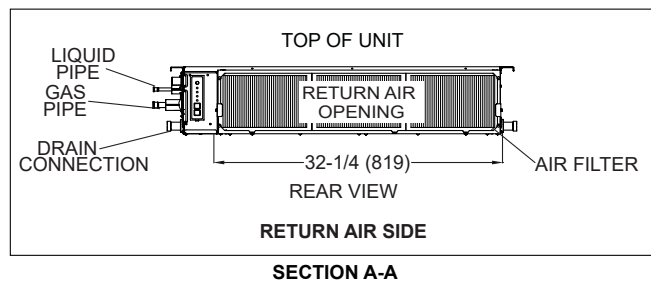
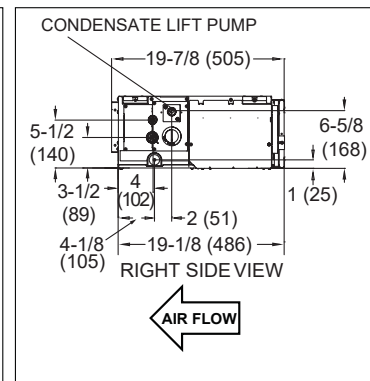
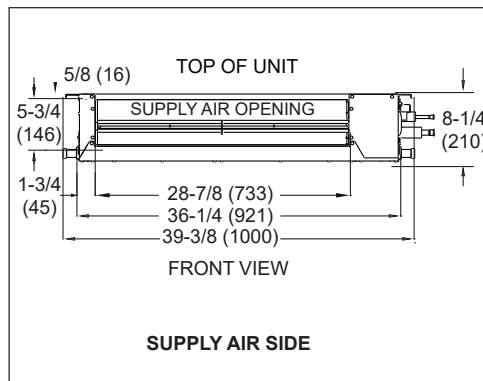
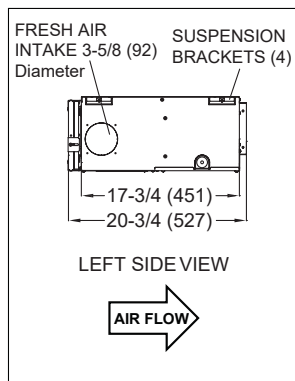
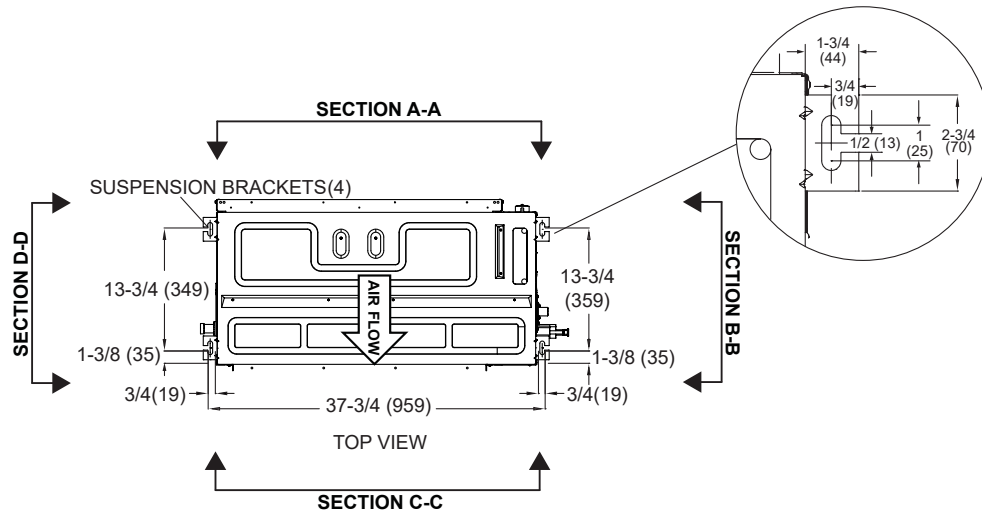
### NOTES

1. Cooling and Heating capacity data is rated at the following conditions:  
 Cooling: 80°FDB / 67°FWB Indoor, 95°FDB  
 Outdoor Heating: 70°FDB Indoor, 47°FDB / 43°FWB Outdoor.
2. Power Input values are rated at high fan speed.
3. Complies with AHRI 1230-2014 testing standards



**DIMENSIONAL DRAWINGS - INCHES (MM)**

009H4



\*NOTE - Unit orientation reversed to show alternative filter location and return air path on bottom of unit.

NOTE - Due to Lennox' ongoing commitment to quality, Specifications, Ratings and Dimensions subject to change without notice and without incurring liability. Improper installation, adjustment, alteration, service or maintenance can cause property damage or personal injury. Installation and service must be performed by a qualified installer and servicing agency.