



# SUBMITTAL DATA - INDOOR UNIT

## VOSA036S4-1P

### VRF HEAT PUMP

**Job:** \_\_\_\_\_  
**Location:** \_\_\_\_\_  
**Schedule No.:** \_\_\_\_\_  
**System Designation:** \_\_\_\_\_

**Engineer:** \_\_\_\_\_  
**Architect:** \_\_\_\_\_  
**Date:** \_\_\_\_\_  
**For:** Reference Approval Review Construction

### FEATURES

- Pre Heat Function
- Auto Addressing
- Auto Restart
- Electronic Expansion Valve
- Flare Connections
- LED Display
- Refrigerant R-410A
- Four capacity sizes from 36,000 to 72,000 Btu/h

### Product Warranty

All covered components – one year limited warranty.

### SPECIFICATIONS

#### PERFORMANCE

Cooling Capacity <sup>1</sup> (Btu/h)		36,000
Heating Capacity <sup>1</sup> (Btu/h)		30,000
Airflow (CFM)	High	1,261
	Medium	1,101
	Low	948
External Static Pressure (in. WC)		0.20 - 0.79
Sound Pressure (dBA)	High	54
	Medium	52
	Low	50

#### ELECTRICAL DATA

Power Supply (V/Hz/Φ)	208-230/60/1
Minimum circuit ampacity (MCA)	3.5
Max. Overcurrent Protection (MOCP)	15
Cooling Power Input <sup>2</sup> (W)	630
Cooling Rated current (A)	2.9
Heating Power Input <sup>2</sup> (W)	630
Heating Rated current (A)	2.9
Indoor Fan Motor Input (W)	430

#### DIMENSIONS

Unit Dimensions (in)	Height	16-1/2
	Width	51-1/4
	Depth	27-1/4
Liquid Pipe Connection (in)		3/8
Gas Pipe Connection (in)		5/8
Condensate drain connection (in)	(1)	1-1/4
Unit Shipping Weight (lb)		168
Unit Net Weight (lb)		153



### OPTIONAL ACCESSORIES

<input type="checkbox"/> Non-Programmable Controller	V0STAT54P-1
<input type="checkbox"/> Programmable Wired Controller	V0STAT51P-1
<input type="checkbox"/> Infrared Wireless Controller	V0STAT52P-1

### NOTES

1. Cooling and Heating capacity data is rated at the following conditions:  
Cooling: 80°FDB / 67°FWB Indoor, 95°FDB Outdoor  
Heating: 70°FDB Indoor, 47°FDB / 43°FWB Outdoor
2. Power Input values are rated at high fan speed.

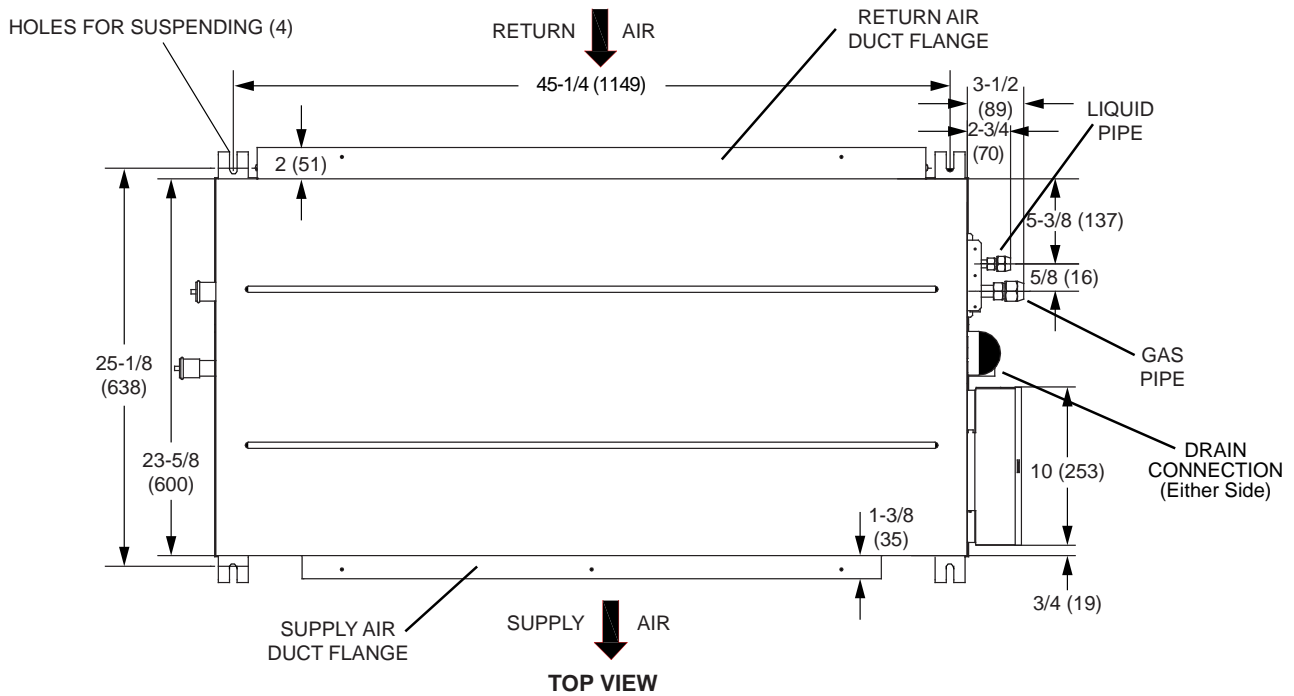
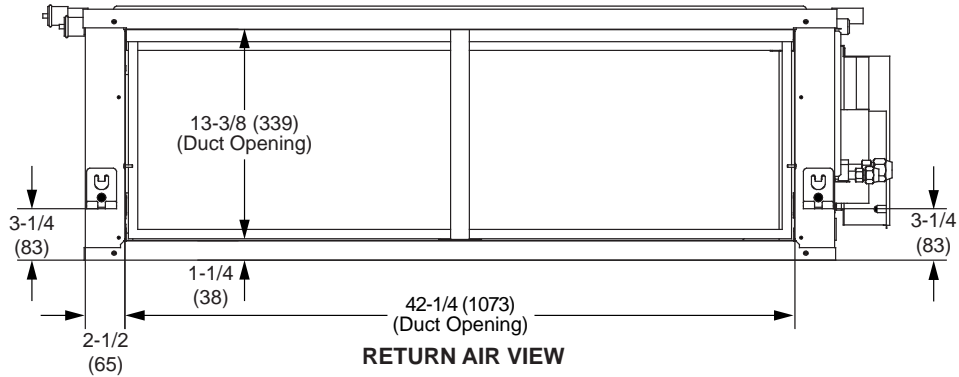


NOTE – Due to Lennox' ongoing commitment to quality, Specifications, Ratings and Dimensions subject to change without notice and without incurring liability. Improper installation, adjustment, alteration, service or maintenance can cause property damage or personal injury. Installation and service must be performed by a qualified installer and servicing agency.



SUBMITTAL DATA - INDOOR UNIT  
**VOSA036S4-1P**  
 VRF HEAT PUMP

**DIMENSIONAL DRAWINGS - INCHES (MM)**



NOTE - Due to Lennox' ongoing commitment to quality, Specifications, Ratings and Dimensions subject to change without notice and without incurring liability. Improper installation, adjustment, alteration, service or maintenance can cause property damage or personal injury. Installation and service must be performed by a qualified installer and servicing agency.



SUBMITTAL DATA – INDOOR UNIT

**VOSA036S4-1P**

VRF HEAT PUMP

**DIMENSIONAL DRAWINGS - INCHES (MM)**

